



US00D955232S

(12) **United States Design Patent**
Frédéric et al.

(10) **Patent No.:** **US D955,232 S**
(45) **Date of Patent:** **** Jun. 21, 2022**

- (54) **SMART SENSOR**
- (71) Applicant: **Descamps.Technology Limited**, Hong Kong (HK)
- (72) Inventors: **Marcel Descamps Frédéric**, Hong Kong (HK); **Yat Chiu Chan**, Hong Kong (HK); **Ban Poh Michael Ong**, Hong Kong (HK); **Tak Man Cheng**, Hong Kong (HK)
- (73) Assignee: **DESCAMPS.TECHNOLOGY LIMITED**, Hong Kong (HK)
- (**) Term: **15 Years**
- (21) Appl. No.: **29/734,039**
- (22) Filed: **May 8, 2020**
- (51) **LOC (13) Cl.** **10-07**
- (52) **U.S. Cl.**
USPC **D10/46**
- (58) **Field of Classification Search**
USPC D10/46, 49, 50, 52, 53, 55, 56, 60, 70, D10/96, 101, 102, 103, 104.1, 104.2, D10/106.1, 106.2, 106.3, 106.6, 106.7, D10/106.8, 118.2, 121; D13/108, 123, D13/168, 171; D14/218, 358, 384; D16/245; D25/33; D26/89
CPC G08B 19/00; G08B 21/00; G08B 21/02; G08B 21/18; G08B 21/182; G08B 21/20; G08B 21/22; G01D 11/24; G01D 11/245; G01N 33/0031
See application file for complete search history.

(56) **References Cited**

U.S. PATENT DOCUMENTS

- D101,208 S * 9/1936 Brown D10/102
- D223,304 S * 4/1972 Daggart D10/118
- D230,361 S * 2/1974 Missio D10/52

- D233,892 S * 12/1974 Kay D13/171
- D294,231 S * 2/1988 Cameron, Jr. D10/106.6
- D301,136 S * 5/1989 Saito D13/171
- 5,150,603 A * 9/1992 Boenning G01M 3/16
73/31.05
- D365,528 S * 12/1995 Shibuya D10/81
- 5,947,786 A * 9/1999 Glick G09B 23/04
446/85
- D493,907 S * 8/2004 Benensohn D26/89
- D501,413 S * 2/2005 Starck D10/53
- D518,002 S * 3/2006 Johanneck D13/171
- D531,066 S * 10/2006 Watabe D10/46
- D549,601 S * 8/2007 Chan D10/52
- D619,023 S * 7/2010 Brooking D10/56
- D663,644 S * 7/2012 Ten Wolde D10/114.2
- D683,634 S * 6/2013 Hayakawa D10/46
- D685,278 S * 7/2013 Bellier D10/106.2
- D686,925 S * 7/2013 Gerold D10/53

(Continued)

Primary Examiner — George D. Kirschbaum
Assistant Examiner — Lillian Windham
(74) *Attorney, Agent, or Firm* — Nyemaster Goode P.C.

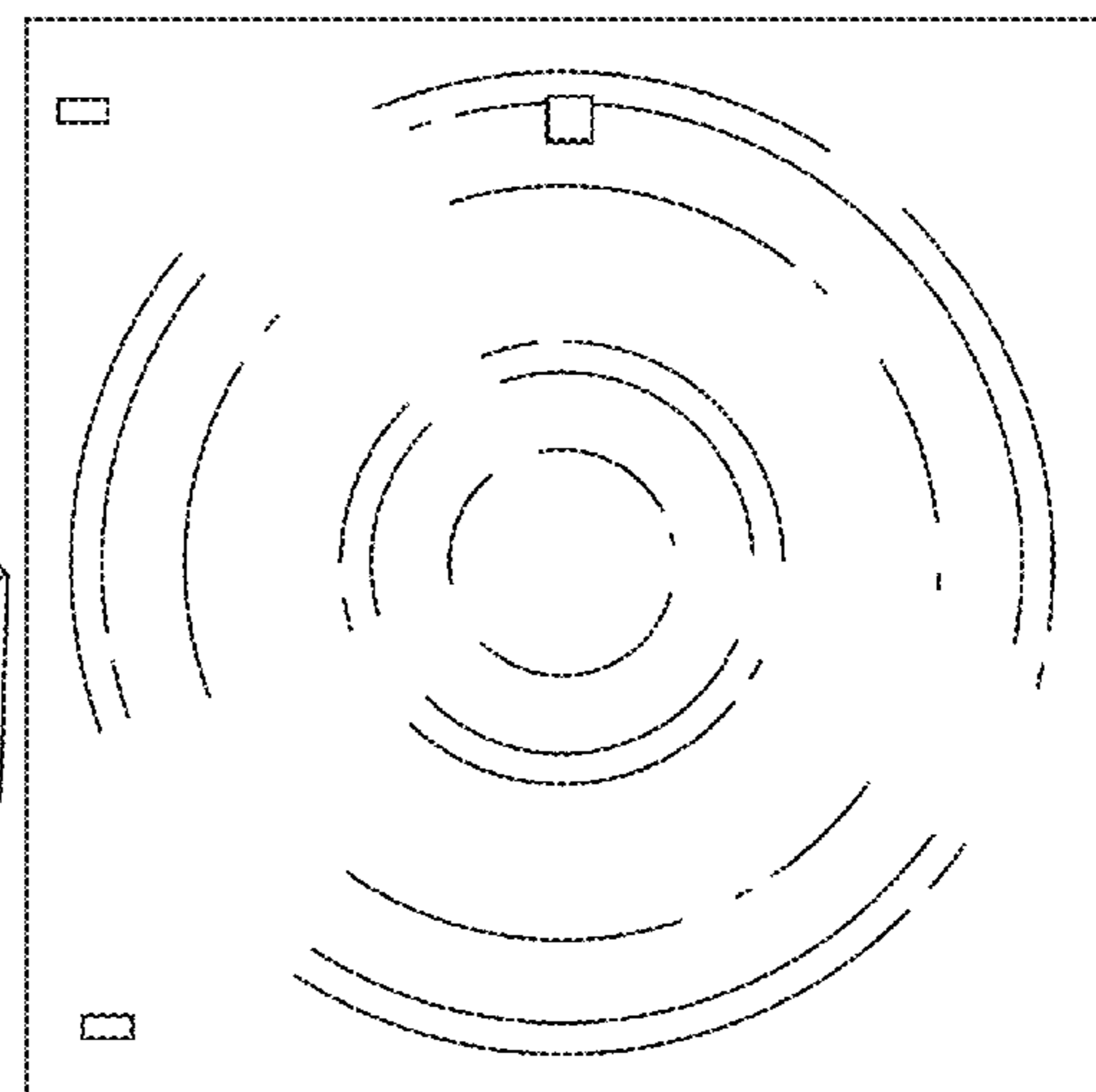
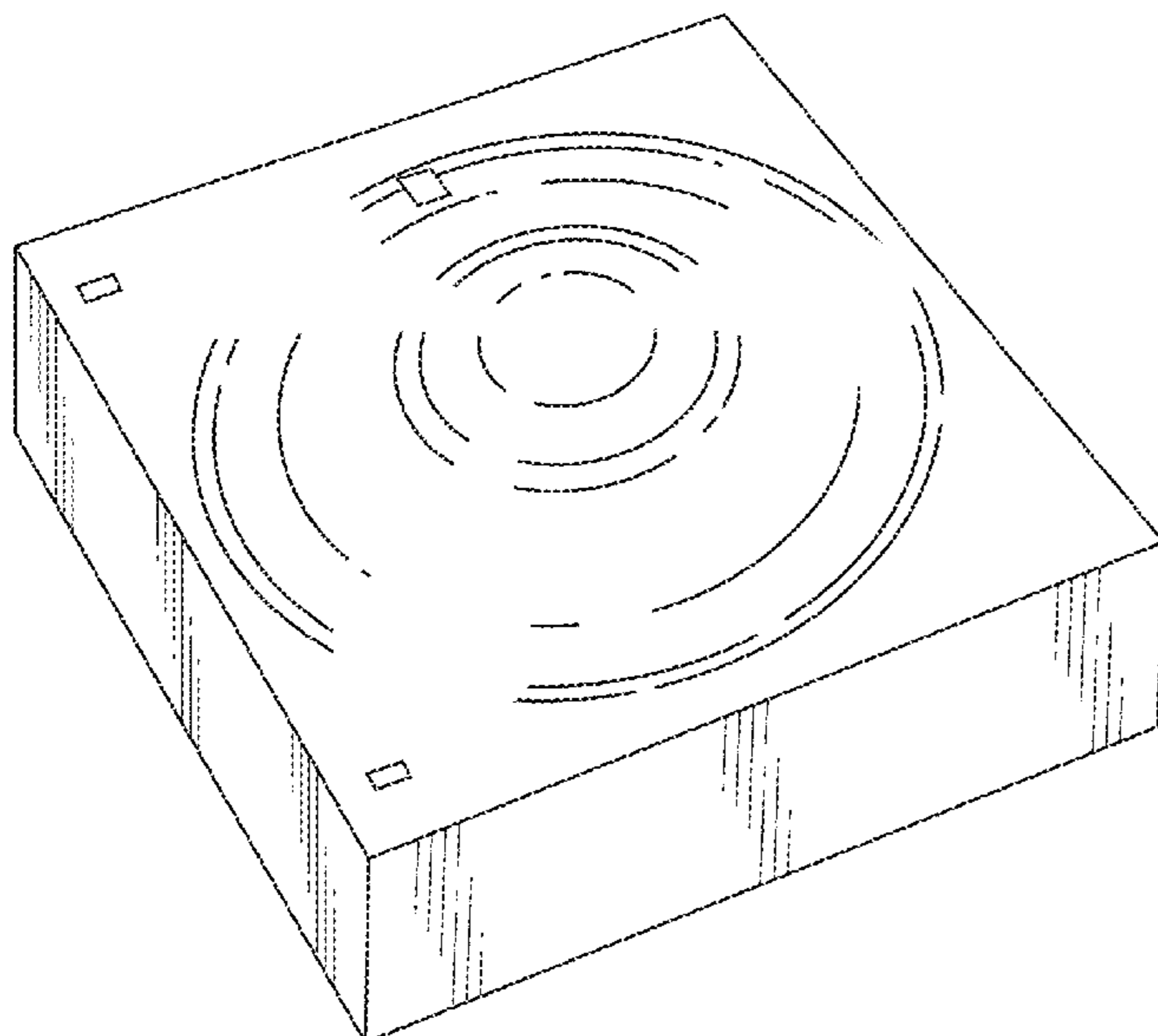
(57) **CLAIM**

The ornamental design for a smart sensor, as shown and described.

DESCRIPTION

FIG. 1 is a perspective view of the smart sensor looking downwardly from the front end thereof.
FIG. 2 is a front view thereof.
FIG. 3 is a rear view thereof.
FIG. 4 is a left side view thereof.
FIG. 5 is a right side view thereof.
FIG. 6 is a top view thereof.
FIG. 7 is a bottom view thereof.
FIG. 8 is a front view of the smart sensor; and,
FIG. 9 is a perspective view of the smart sensor.
In the drawings, the broken lines depict environmental subject matter only and form no part of the claimed design.

1 Claim, 9 Drawing Sheets



(56)

References Cited

U.S. PATENT DOCUMENTS

D722,983 S *	2/2015	Paredes	D13/168	D838,190 S *	1/2019	Lai	D10/53
D724,462 S *	3/2015	Bould	D10/106.2	D842,154 S *	3/2019	Dimitriadis	D10/106.2
D726,037 S *	4/2015	Moeller	D10/70	D849,570 S *	5/2019	Sakalowsky	D10/52
D728,489 S *	5/2015	Eriksen	D13/168	D852,662 S *	7/2019	Zhong	D10/81
D738,755 S *	9/2015	Druce	D10/50	D854,010 S *	7/2019	Deng	D14/358
D746,711 S *	1/2016	Li	D10/106.1	D858,319 S *	9/2019	Liu	D10/57
D750,275 S *	2/2016	O'Callaghan	D25/33	D860,829 S *	9/2019	Yun	D10/53
D750,992 S *	3/2016	Perez	D10/104.1	D865,556 S *	11/2019	Siminoff	D10/106.1
D764,953 S *	8/2016	Virhia	D10/46	D871,240 S *	12/2019	Burns	D10/70
D768,015 S *	10/2016	Yang	D10/118.2	D873,687 S *	1/2020	Prevoteau	D10/81
D773,948 S *	12/2016	Schneid	D10/106.2	D874,961 S *	2/2020	Friedli	D10/108
D773,949 S *	12/2016	Bolger	D10/106.2	D875,083 S *	2/2020	Sohn	D14/218
D782,354 S *	3/2017	Lovin	G09B 23/04	D876,249 S *	2/2020	Bee	D10/53
			D10/101	D881,827 S *	4/2020	Chouji	D13/168
D786,955 S *	5/2017	Taylor	D16/245	D883,929 S *	5/2020	Tanaka	D13/123
D792,403 S *	7/2017	Nott	D14/384	D889,296 S *	7/2020	Loh	D10/106.1
D792,404 S *	7/2017	Nott	D14/384	D895,456 S *	9/2020	Andersson	D10/70
D793,264 S *	8/2017	Ye	D10/118.2	D906,959 S *	1/2021	Turksu	D13/108
D805,923 S *	12/2017	Chang	D10/46	D912,046 S *	3/2021	Huang	D14/358
D806,657 S *	1/2018	Russo	D13/168	D915,916 S *	4/2021	Konotopskyi	D10/106.2
D811,916 S *	3/2018	Lee	D10/106.2	D921,499 S *	6/2021	Konotopskyi	D10/56
D820,123 S *	6/2018	Chou	D10/70	D937,689 S *	12/2021	Aeberli	D10/50
D825,358 S *	8/2018	Lee	D10/70	D939,361 S *	12/2021	Yang	D10/53
D825,359 S *	8/2018	Lee	D10/70	D939,975 S *	1/2022	Gong	G01M 3/16
D830,861 S *	10/2018	McNealy	D10/56				D10/52
				2014/0197851 A1 *	7/2014	Astley	G01N 33/0062
							324/660

* cited by examiner

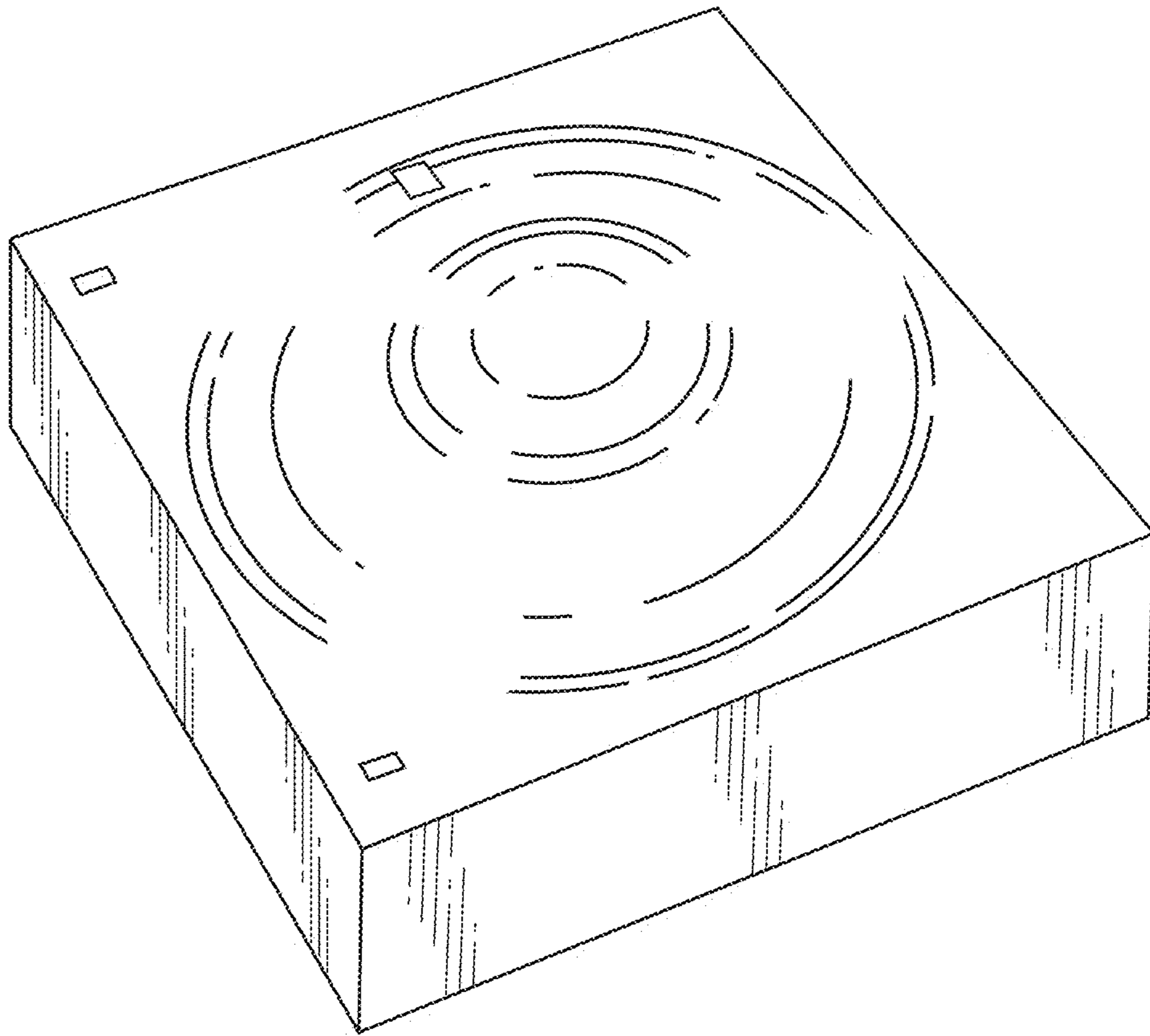


Figure 1

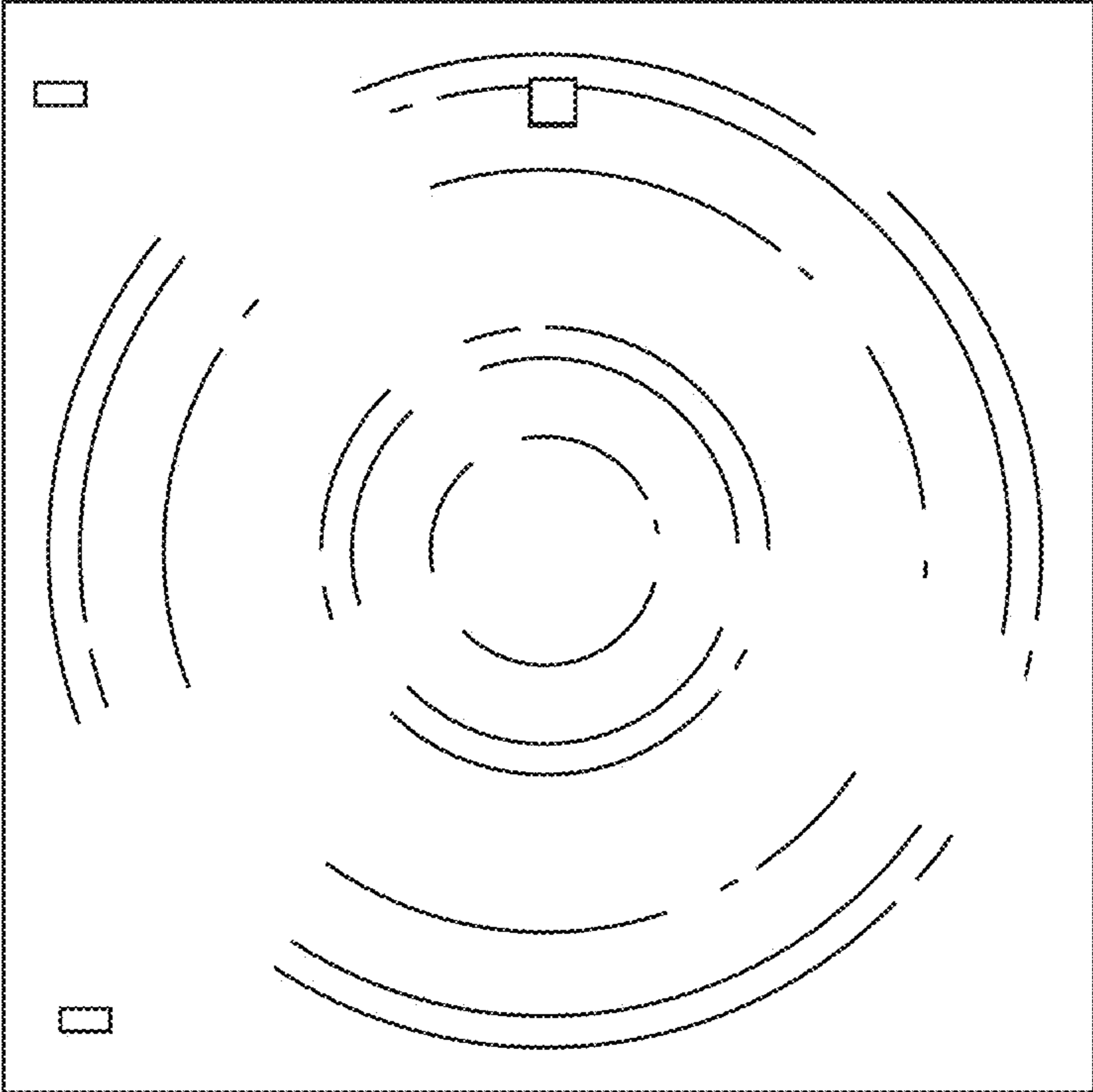


Figure 2

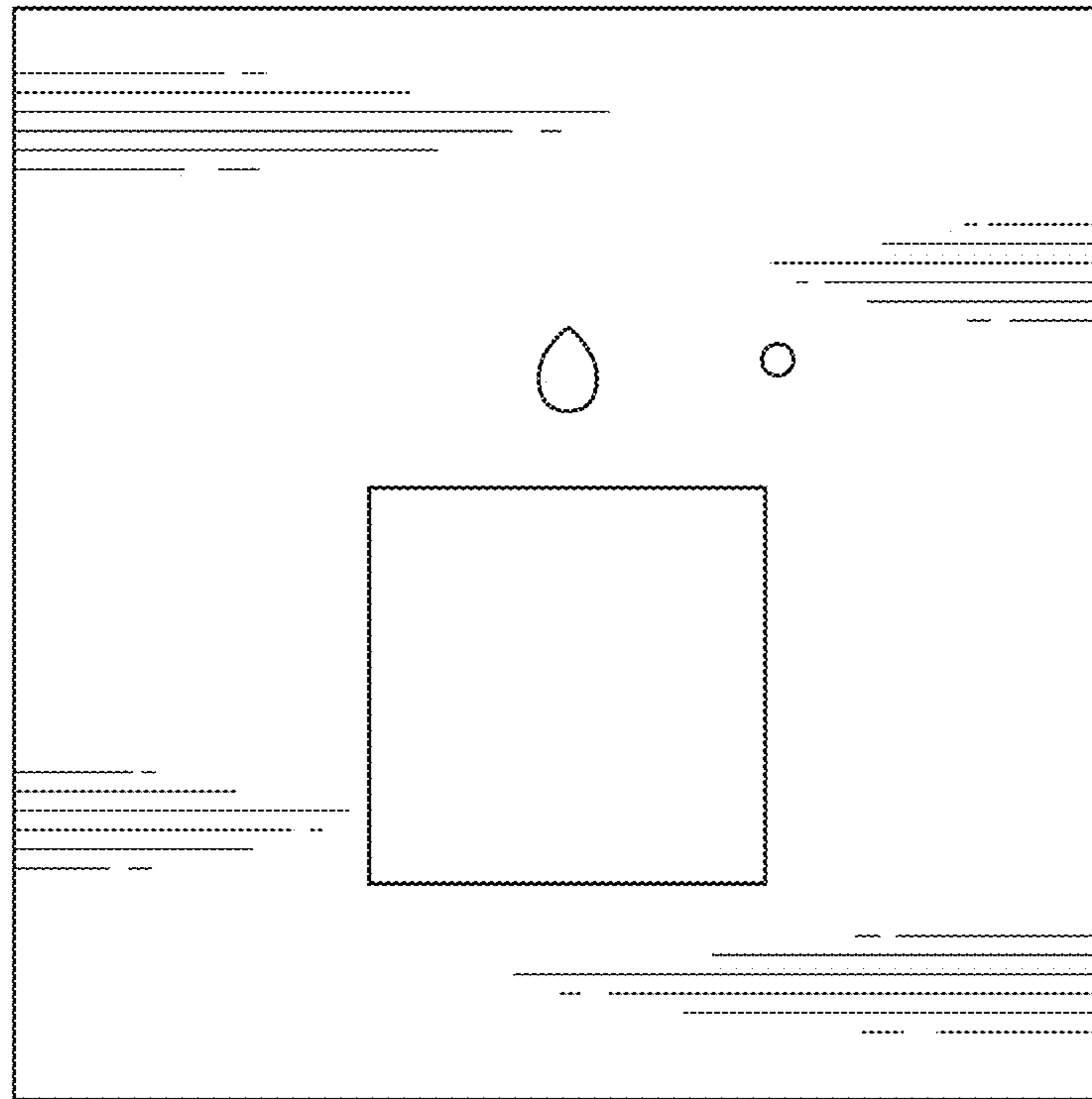


Figure 3

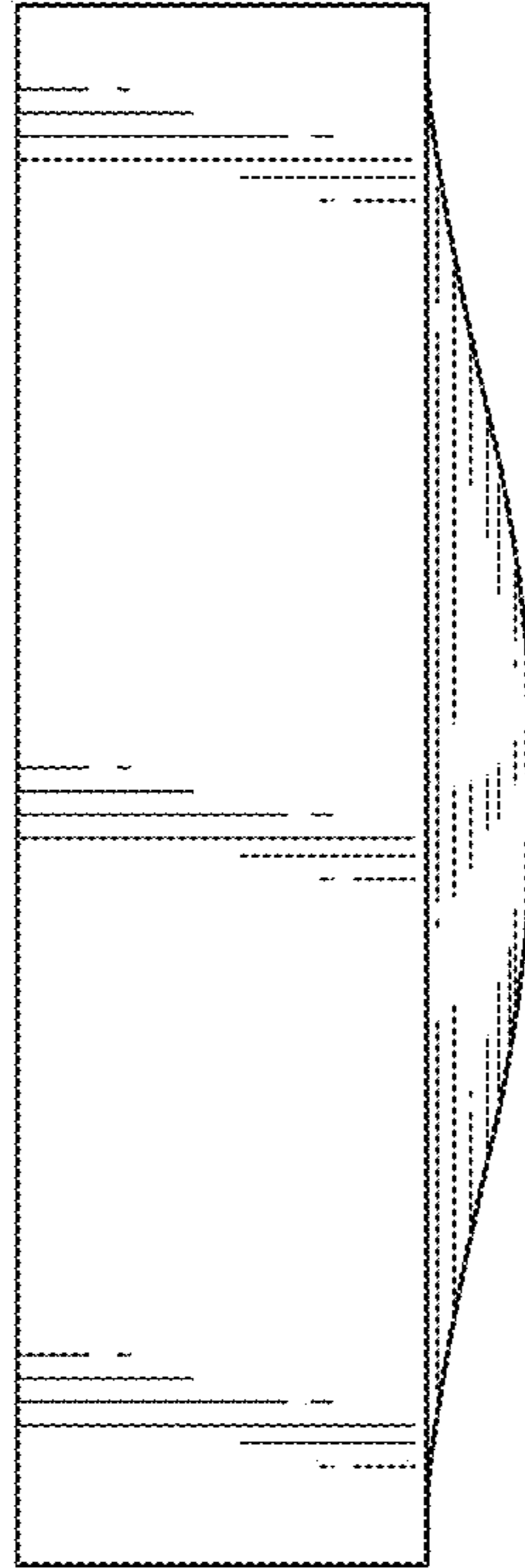


Figure 4

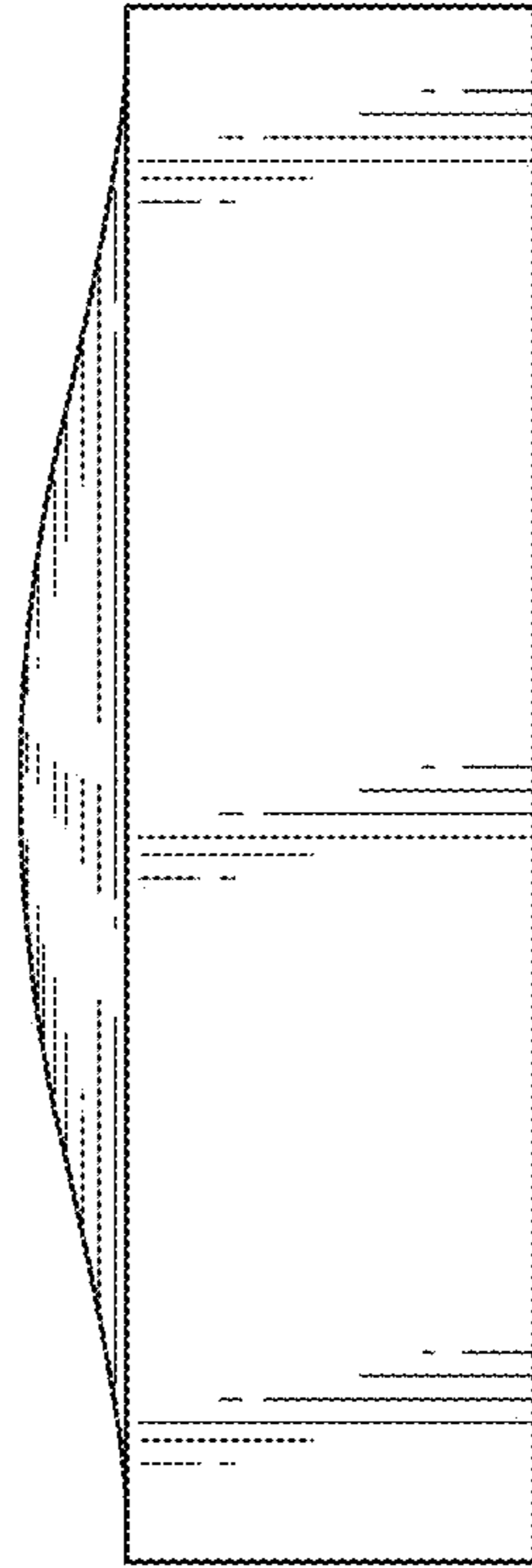


Figure 5

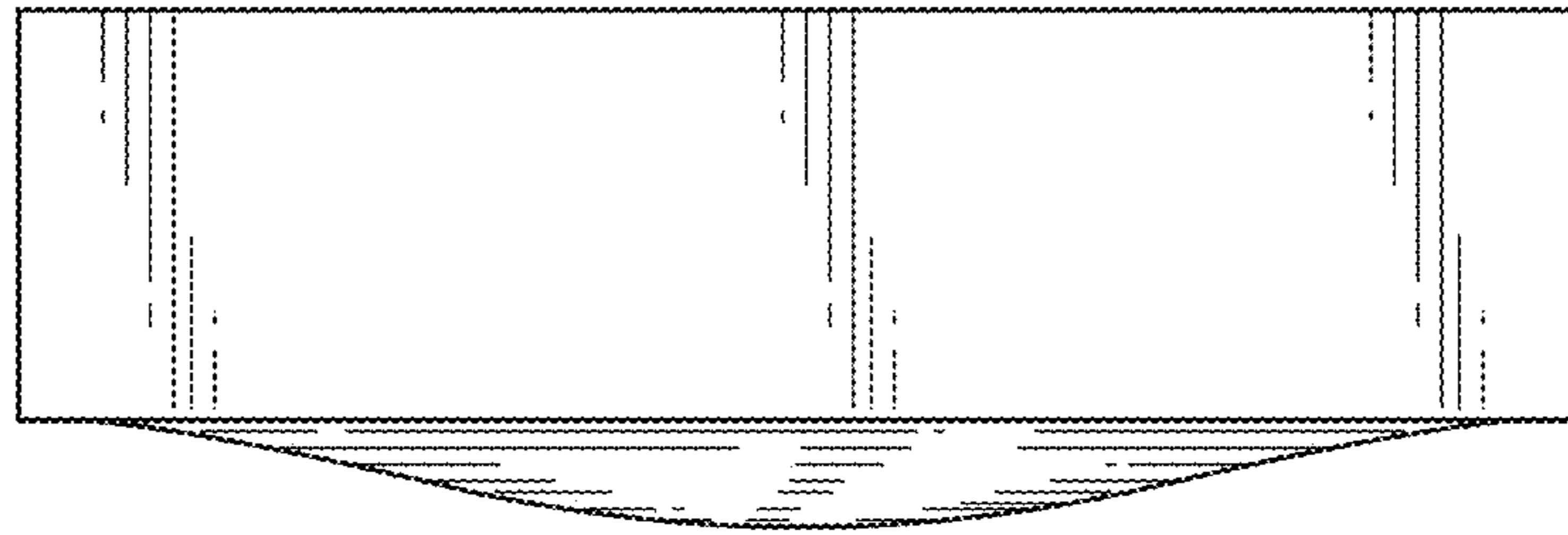


Figure 6

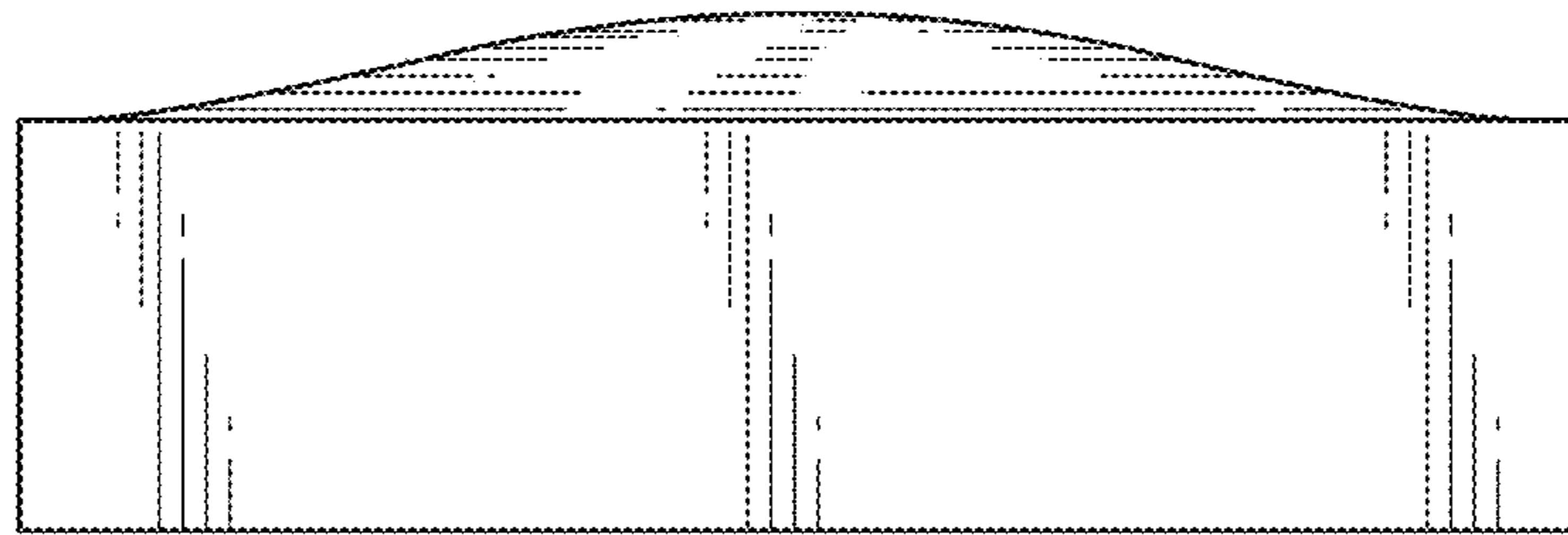


Figure 7

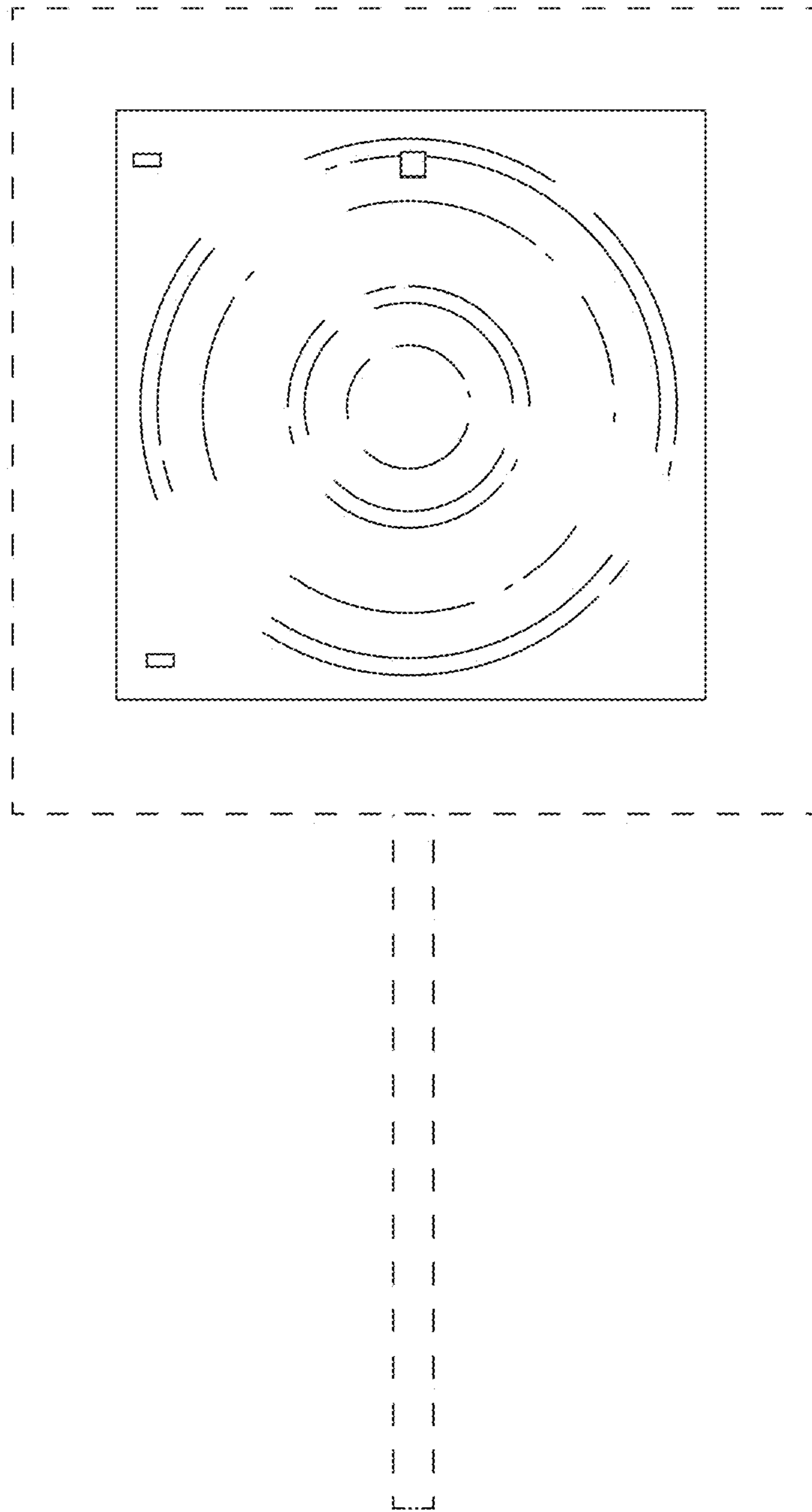


Figure 8

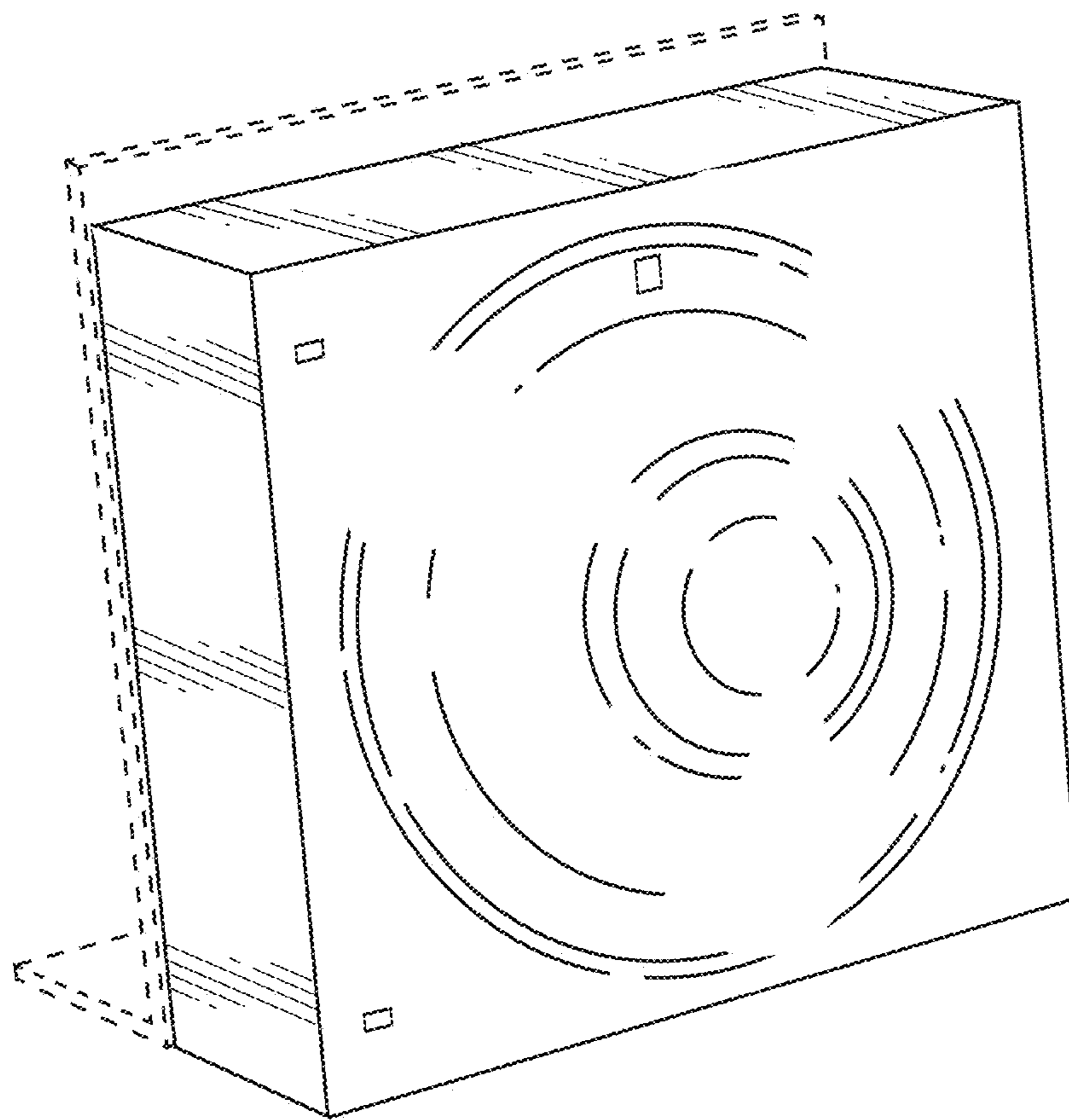


Figure 9