



US00D955230S

(12) **United States Design Patent**
King et al.

(10) **Patent No.:** **US D955,230 S**
(45) **Date of Patent:** **** Jun. 21, 2022**

- (54) **PARKING PAY STATION**
- (71) Applicant: **IPS Group Inc.**, San Diego, CA (US)
- (72) Inventors: **David William King**, Rancho Santa Fe, CA (US); **Choor-Hong Tan**, Epping (AU); **Derek Wu**, Strathfield (AU); **David Andrew Jones**, Beecroft (AU)
- (73) Assignee: **IPS GROUP INC.**, San Diego, CA (US)

4,615,280 A 10/1986 Shoop et al.
 4,754,126 A 6/1988 Caldwell
 D331,996 S 12/1992 Fukutake et al.
 (Continued)

FOREIGN PATENT DOCUMENTS

AT 507762 A1 7/2010
 CA 2517717 A1 9/2004
 (Continued)

OTHER PUBLICATIONS

No change for car park charge? Just RingGo, <https://www.northern-times.co.uk/news/no-change-for-car-park-charge-just-ringgo-140901/>, Jul. 6, 2017 (Year: 2017).
 (Continued)

Primary Examiner — Elizabeth J Oswecki
 (74) *Attorney, Agent, or Firm* — Wilson Sonsini Goodrich & Rosati

- (**) Term: **15 Years**
- (21) Appl. No.: **29/700,889**
- (22) Filed: **Aug. 6, 2019**
- (51) **LOC (13) Cl.** **10-03**
- (52) **U.S. Cl.**
USPC **D10/42**; D99/28; D18/4.4; D18/4.6
- (58) **Field of Classification Search**
USPC D99/28, 34, 35, 36, 43, 99; D10/40, 41, D10/42; D14/300, 301, 302, 305, 307, D14/900-902; D21/324, 325, 329, 369, D21/370; D18/3.1, 3.2, 3.3, 4.1, 4.2, 4.3, D18/4.4, 4.5, 4.6, 11, 12, 12.1, 12.2, D18/12.3; 705/16, 17, 18, 42, 43, 44, 45; 235/379, 380, 381; 194/205; 109/1 R, 109/1 V, 2, 23, 24.1, 25, 58, 58.5, 66; 52/36.1; 101/66
CPC .. G06Q 20/10; G06Q 20/108; G06Q 20/1085; G06Q 20/18; G07D 1/00; G07D 1/02; G07D 1/04; G07D 1/06; G07D 11/00; G07D 9/002; G07D 9/04; G07F 19/20; G07F 19/201; G07F 19/202; G07F 19/203; G07F 19/204; G07F 19/205; G07F 19/21; G07F 19/00; G07F 7/04; G07F 5/00; G07F 1/00; E05G 7/001
See application file for complete search history.

(57) **CLAIM**

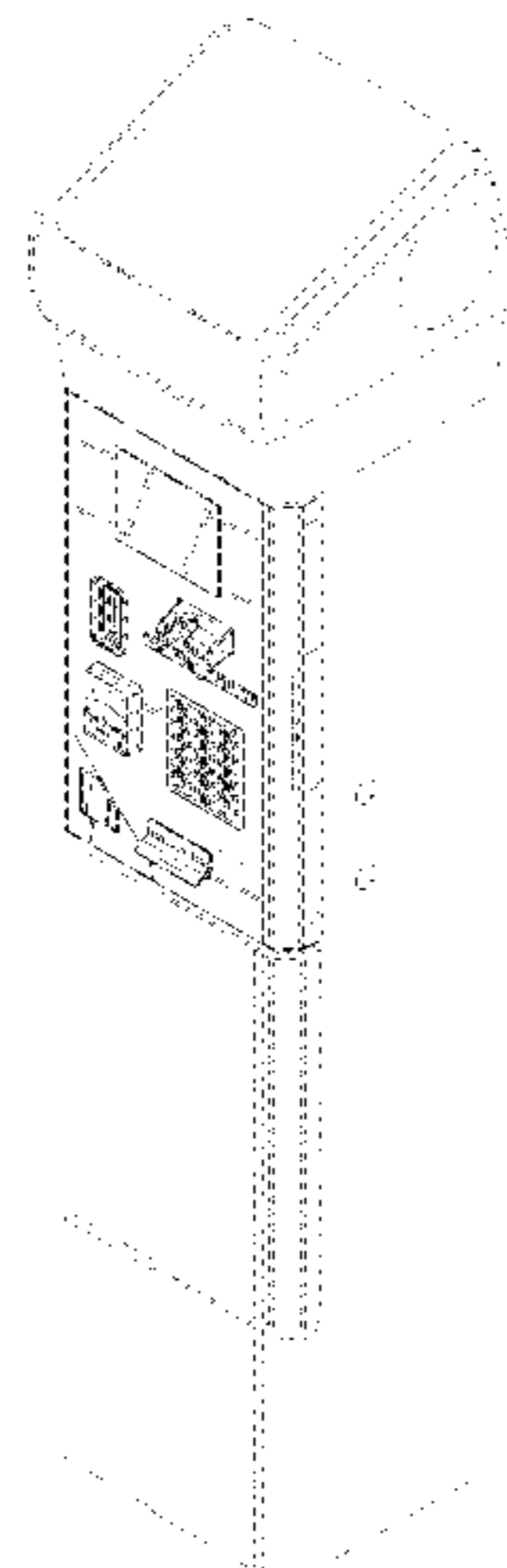
The ornamental design for a parking pay station, as shown and described.

DESCRIPTION

FIG. 1 is a top front right perspective view of a parking pay station, showing our new design;
 FIG. 2 is a top back left perspective view thereof;
 FIG. 3 is a front elevational view thereof;
 FIG. 4 is a back elevational view thereof;
 FIG. 5 is a left side elevational view thereof;
 FIG. 6 is a right side elevational view thereof; and,
 FIG. 7 is a top plan view thereof.
 The broken lines shown in the drawings represent portions of the parking pay station that form no part of the claimed design.

- (56) **References Cited**
U.S. PATENT DOCUMENTS
D161,888 S 2/1951 Wilkin
D246,917 S 1/1978 Sauter

1 Claim, 7 Drawing Sheets



(56)

References Cited

U.S. PATENT DOCUMENTS

| | | | | | |
|----------------|---------|--------------------------------------|-------------------|---------|-------------------------------------|
| D336,860 S | 6/1993 | Clough | D696,484 S | 12/2013 | Lee |
| D342,209 S | 12/1993 | Clough | D696,485 S | 12/2013 | Lee |
| D354,047 S | 1/1995 | Leggate et al. | D702,913 S | 4/2014 | Budde |
| D360,734 S | 7/1995 | Hall | D702,914 S | 4/2014 | Budde |
| D360,737 S | 7/1995 | Helbig, Jr. | D716,515 S | 10/2014 | Cha |
| D375,607 S | 11/1996 | Hall | D722,740 S | 2/2015 | Budde |
| D396,655 S | 8/1998 | Anderson | D724,290 S | 3/2015 | Cha et al. |
| 5,915,246 A | 6/1999 | Patterson et al. | D724,811 S | 3/2015 | Reitinger |
| D412,289 S | 7/1999 | Winwood | D724,812 S | 3/2015 | Cha et al. |
| 6,029,888 A | 2/2000 | Harvey | D728,190 S | 4/2015 | Sheley |
| D430,045 S | 8/2000 | Omuro et al. | D732,263 S | 6/2015 | Budde et al. |
| D431,788 S | 10/2000 | Tuxen et al. | D735,437 S | 7/2015 | Randall et al. |
| D437,468 S | 2/2001 | Fukutake et al. | D735,438 S | 7/2015 | Randall et al. |
| D447,519 S | 9/2001 | Pinchuk et al. | D735,440 S | 7/2015 | Randall et al. |
| D448,910 S | 10/2001 | Kit | D735,963 S | 8/2015 | Randall et al. |
| D450,253 S | 11/2001 | Marguet | D735,965 S | 8/2015 | Randall et al. |
| D454,421 S | 3/2002 | Jeon | D739,637 S | 9/2015 | Randall |
| D460,005 S | 7/2002 | Jacquet | D739,638 S | 9/2015 | Randall |
| D472,362 S | 3/2003 | Zerman et al. | D739,639 S | 9/2015 | Randall |
| 6,527,172 B1 | 3/2003 | Lewis et al. | D741,040 S | 10/2015 | Budde et al. |
| D481,516 S | 10/2003 | Magee | D742,090 S | 10/2015 | Randall |
| D485,417 S | 1/2004 | Magee | D743,956 S * | 11/2015 | Kraft D14/307 |
| D488,280 S | 4/2004 | Zerman | D746,015 S | 12/2015 | King et al. |
| D492,080 S | 6/2004 | Magee | D748,364 S | 1/2016 | King et al. |
| D492,081 S | 6/2004 | Magee | D748,888 S | 2/2016 | King et al. |
| D494,730 S | 8/2004 | Magee | D749,290 S | 2/2016 | Pollmann |
| D497,814 S | 11/2004 | Odinotski et al. | D762,040 S | 7/2016 | King et al. |
| D505,240 S | 5/2005 | Swaine et al. | D769,570 S | 10/2016 | Kraft et al. |
| D505,765 S | 5/2005 | Swaine et al. | D769,571 S | 10/2016 | Lee et al. |
| D510,751 S | 10/2005 | Magee et al. | D769,572 S | 10/2016 | Park et al. |
| 7,004,385 B1 | 2/2006 | Douglass | D779,771 S | 2/2017 | King et al. |
| 7,040,534 B2 * | 5/2006 | Turocy G06Q 20/1085 235/379 | D779,772 S | 2/2017 | King et al. |
| | | | D779,773 S | 2/2017 | King et al. |
| | | | D779,774 S * | 2/2017 | King D99/28 |
| | | | D781,024 S | 3/2017 | King et al. |
| | | | D792,049 S * | 7/2017 | Oh D99/28 |
| D530,880 S | 10/2006 | Magee et al. | D795,523 S | 8/2017 | King et al. |
| 7,131,576 B2 | 11/2006 | Utz et al. | D802,874 S | 11/2017 | King et al. |
| D538,505 S | 3/2007 | Kang | D802,875 S | 11/2017 | King et al. |
| 7,222,782 B2 | 5/2007 | Lute et al. | D802,876 S | 11/2017 | King et al. |
| 7,347,368 B1 | 3/2008 | Gravelle et al. | D802,877 S | 11/2017 | King et al. |
| D570,920 S | 6/2008 | Choi | D802,878 S | 11/2017 | King et al. |
| 7,419,091 B1 | 9/2008 | Scanlon | 9,842,455 B2 * | 12/2017 | MacKay G06Q 20/3278 |
| D579,795 S | 11/2008 | Martinez et al. | D813,059 S * | 3/2018 | MacKay D10/42 |
| 7,445,144 B2 | 11/2008 | Schlabach et al. | D832,553 S * | 10/2018 | Angelopoulos D99/28 |
| D582,125 S | 12/2008 | Kang et al. | D863,074 S * | 10/2019 | MacKay D10/42 |
| D592,825 S | 5/2009 | Kang et al. | D863,075 S * | 10/2019 | MacKay D10/42 |
| 7,533,802 B1 | 5/2009 | McGinley et al. | D863,076 S * | 10/2019 | MacKay D10/42 |
| D596,373 S | 7/2009 | Kang et al. | D863,987 S * | 10/2019 | MacKay D10/42 |
| D596,374 S | 7/2009 | Kang | D863,988 S * | 10/2019 | MacKay D10/42 |
| 7,575,166 B2 | 8/2009 | McNamara | D879,404 S * | 3/2020 | Morishita D99/28 |
| 7,611,045 B1 | 11/2009 | Lute et al. | D883,605 S * | 5/2020 | Lee D99/28 |
| 7,624,919 B2 | 12/2009 | Meek et al. | RE48,566 E * | 5/2021 | MacKay G07F 17/00 D10/42 |
| 7,699,224 B2 | 4/2010 | Mole | 2004/0016796 A1 * | 1/2004 | Hanna G07D 11/0096 235/375 |
| D615,274 S | 5/2010 | Kim et al. | 2004/0059693 A1 | 3/2004 | Hausen et al. |
| 7,717,327 B2 | 5/2010 | Gomes et al. | 2004/0262379 A1 * | 12/2004 | Gomes G07F 17/248 235/379 |
| 7,726,558 B1 | 6/2010 | Lute et al. | 2005/0029340 A1 | 2/2005 | Ferraro |
| D625,305 S | 10/2010 | Bleck | 2006/0152385 A1 * | 7/2006 | Mandy G07F 17/24 340/932.2 |
| D629,585 S | 12/2010 | Bleck et al. | 2007/0046651 A1 | 3/2007 | Sinclair et al. |
| D632,740 S | 2/2011 | Adeline | 2007/0276724 A1 | 11/2007 | Catt et al. |
| 7,891,546 B1 | 2/2011 | Steinbach et al. | 2008/0257965 A1 | 10/2008 | Klein et al. |
| D645,223 S | 9/2011 | Bleck | 2008/0265019 A1 | 10/2008 | Artino et al. |
| D652,872 S | 1/2012 | Mougin et al. | 2008/0296365 A1 | 12/2008 | Schliebe |
| D653,014 S | 1/2012 | Rohan | 2009/0057398 A1 | 3/2009 | Douglass et al. |
| D653,420 S | 1/2012 | Rohan | 2010/0161489 A1 | 6/2010 | Goodall et al. |
| D653,421 S | 1/2012 | Rohan | 2010/0187300 A1 | 7/2010 | Ramachandran et al. |
| D653,424 S | 1/2012 | Rohan | 2010/0241564 A1 | 9/2010 | Miller et al. |
| 8,181,857 B1 | 5/2012 | Lute et al. | 2010/0243729 A1 | 9/2010 | Russell et al. |
| D672,525 S | 12/2012 | Lee et al. | 2011/0133613 A1 | 6/2011 | Descamps et al. |
| D674,985 S | 1/2013 | Lee | 2011/0320243 A1 | 12/2011 | Khan |
| D677,035 S | 2/2013 | Lee | | | |
| D677,714 S | 3/2013 | Helgesson et al. | | | |
| D680,156 S | 4/2013 | Hernandez et al. | | | |
| D681,717 S | 5/2013 | Helgesson et al. | | | |
| D682,504 S | 5/2013 | Lee et al. | | | |
| D691,165 S | 10/2013 | Attoma | | | |
| D693,983 S | 11/2013 | Budde et al. | | | |
| 8,573,484 B1 | 11/2013 | Irudayam et al. | | | |

(56)

References Cited

U.S. PATENT DOCUMENTS

2012/0286036 A1 11/2012 Jones et al.
2014/0165885 A1 6/2014 Denny et al.

FOREIGN PATENT DOCUMENTS

EP 1227448 A2 7/2002
FR 2928678 A1 9/2009
FR 2979726 A1 3/2013
JP 3441832 B2 9/2003
JP 4247079 B2 4/2009
JP 5238316 B2 7/2013
WO WO-02084600 A1 10/2002
WO WO-03065322 A1 8/2003
WO WO-2010062105 A2 6/2010
WO WO-2014127384 A1 8/2014

OTHER PUBLICATIONS

Parking Pay Stations,<https://www.cityofcocoabeach.com/642/Parking-Pay-Stations>, retrieved on Jun. 10, 2021 (Year: 2021).*

No change for car park charge? Just RingGo,<https://www.northern-times.co.uk/news/no-change-for-car-park-charge-just-ringgo-140901/>, Jul. 6, 2017 (Year: 2021).*

Co-pending U.S. Appl. No. 16/441,800, filed Jun. 14, 2019.

Co-pending U.S. Appl. No. 29/700,891, filed Aug. 6, 2019.

Co-pending U.S. Appl. No. 29/700,892, filed Aug. 6, 2019.

Co-pending U.S. Appl. No. 29/700,893, filed Aug. 6, 2019.

Co-pending U.S. Appl. No. 29/700,894, filed Aug. 6, 2019.

* cited by examiner

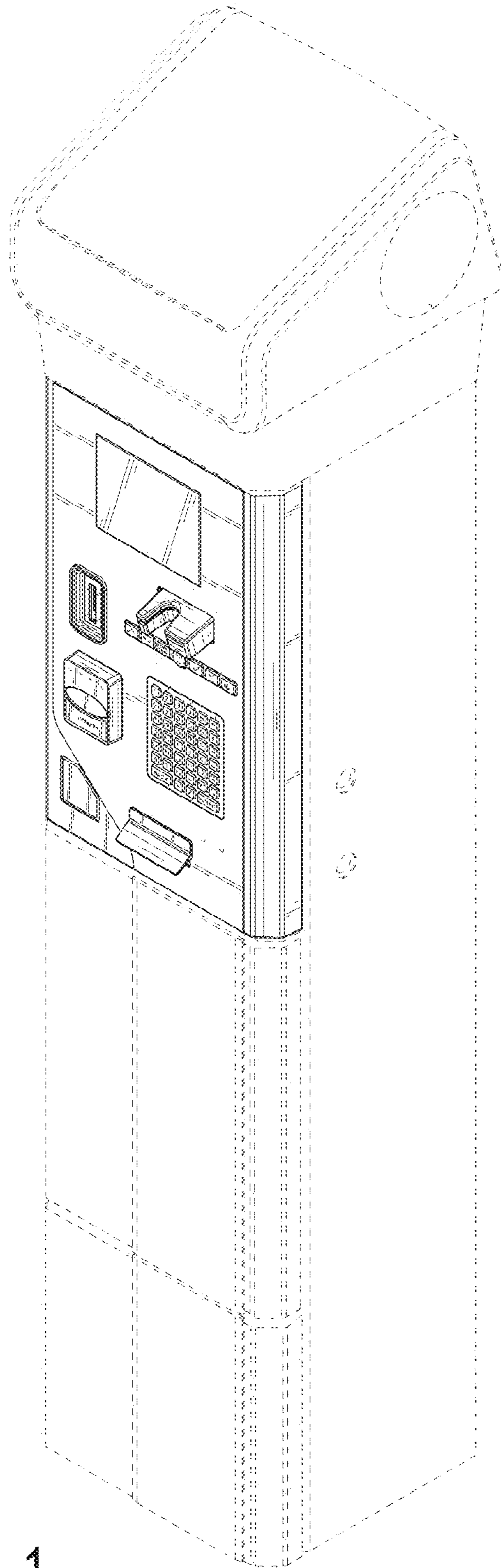


FIG. 1

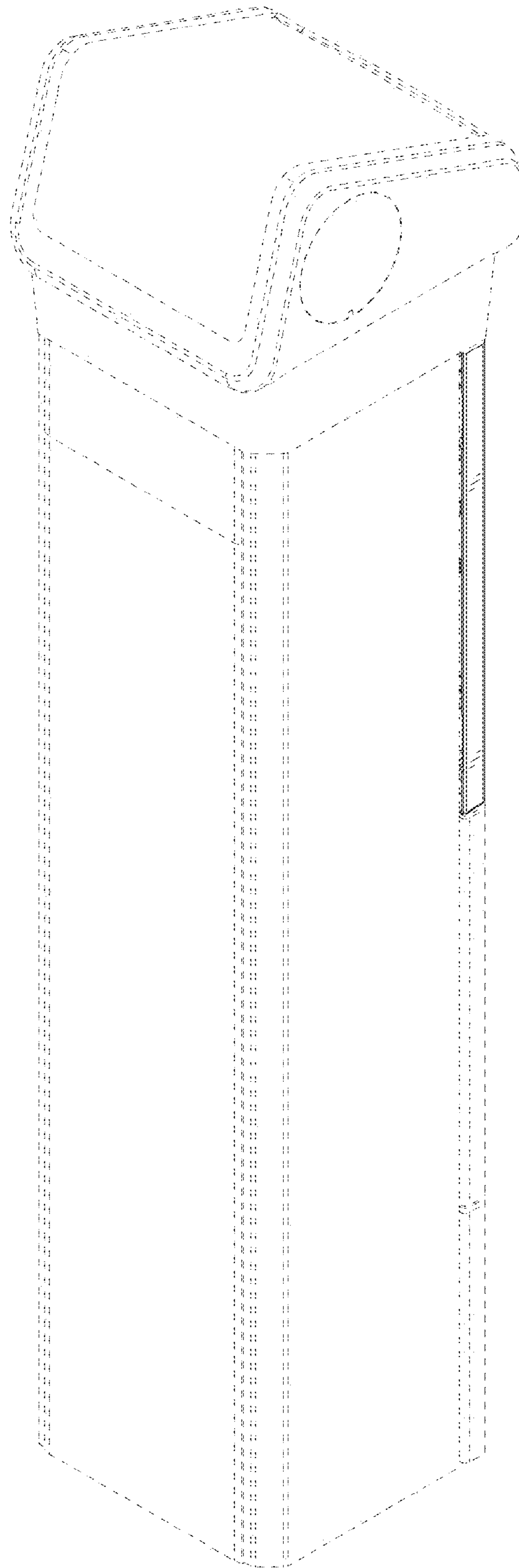


FIG. 2

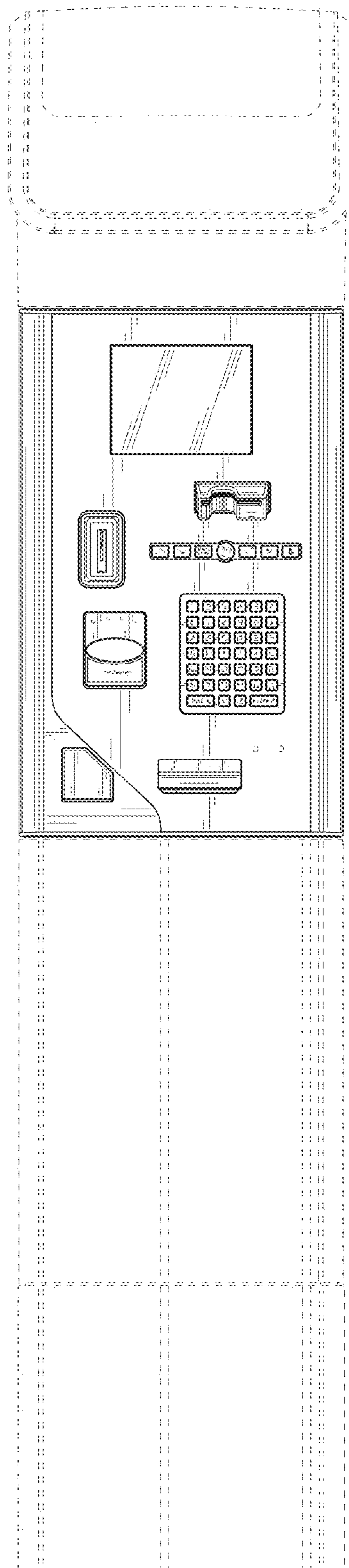


FIG. 3

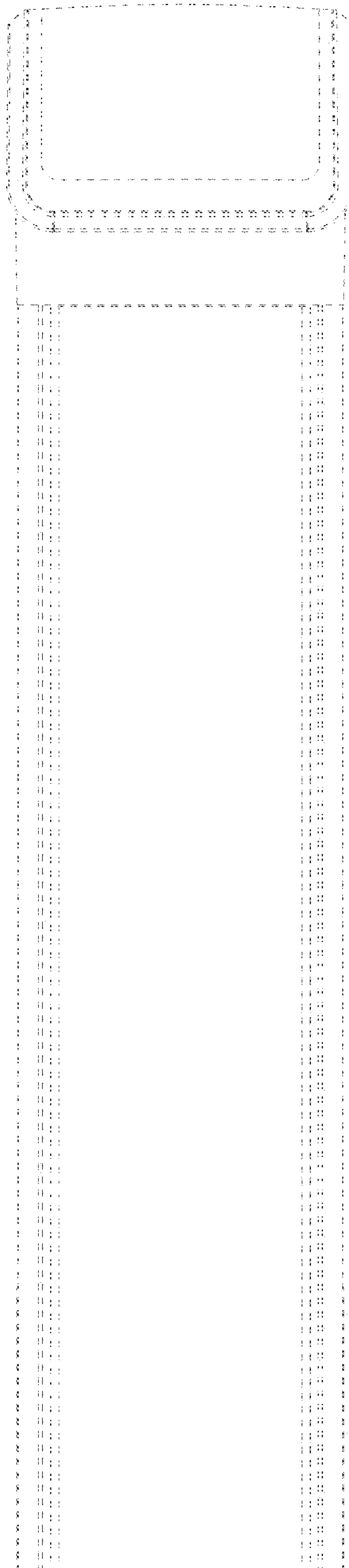


FIG. 4

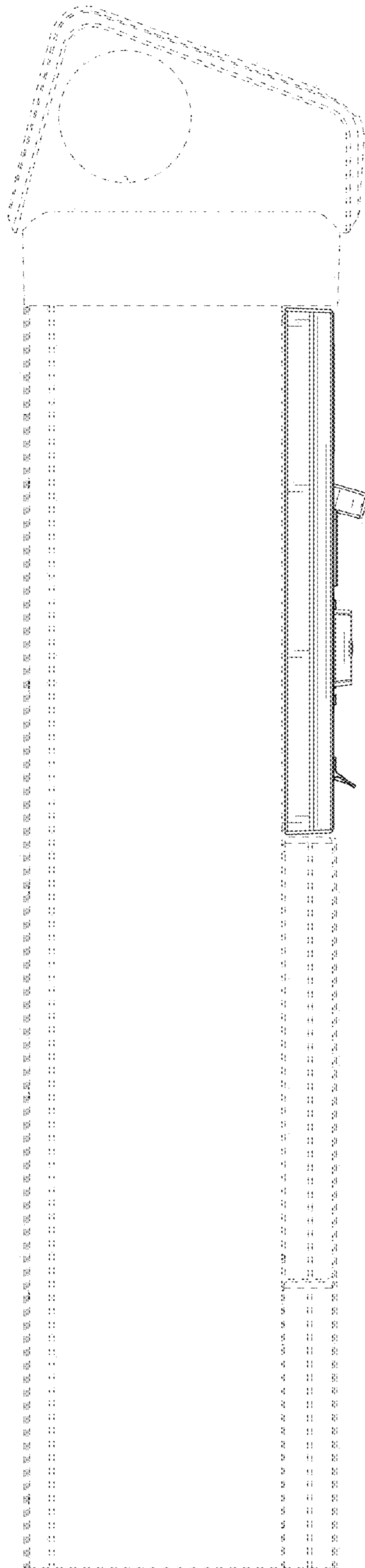


FIG. 5

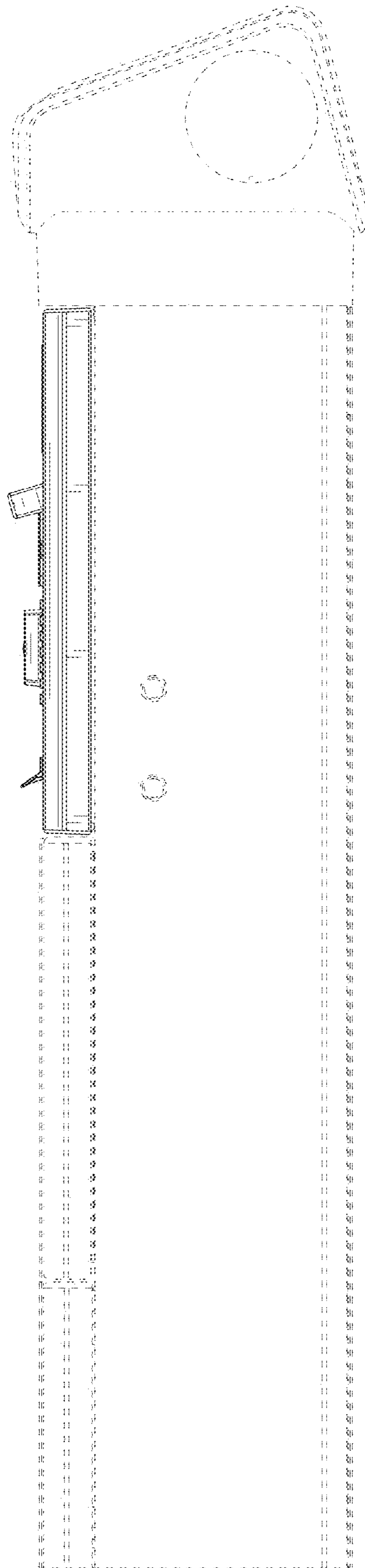


FIG. 6

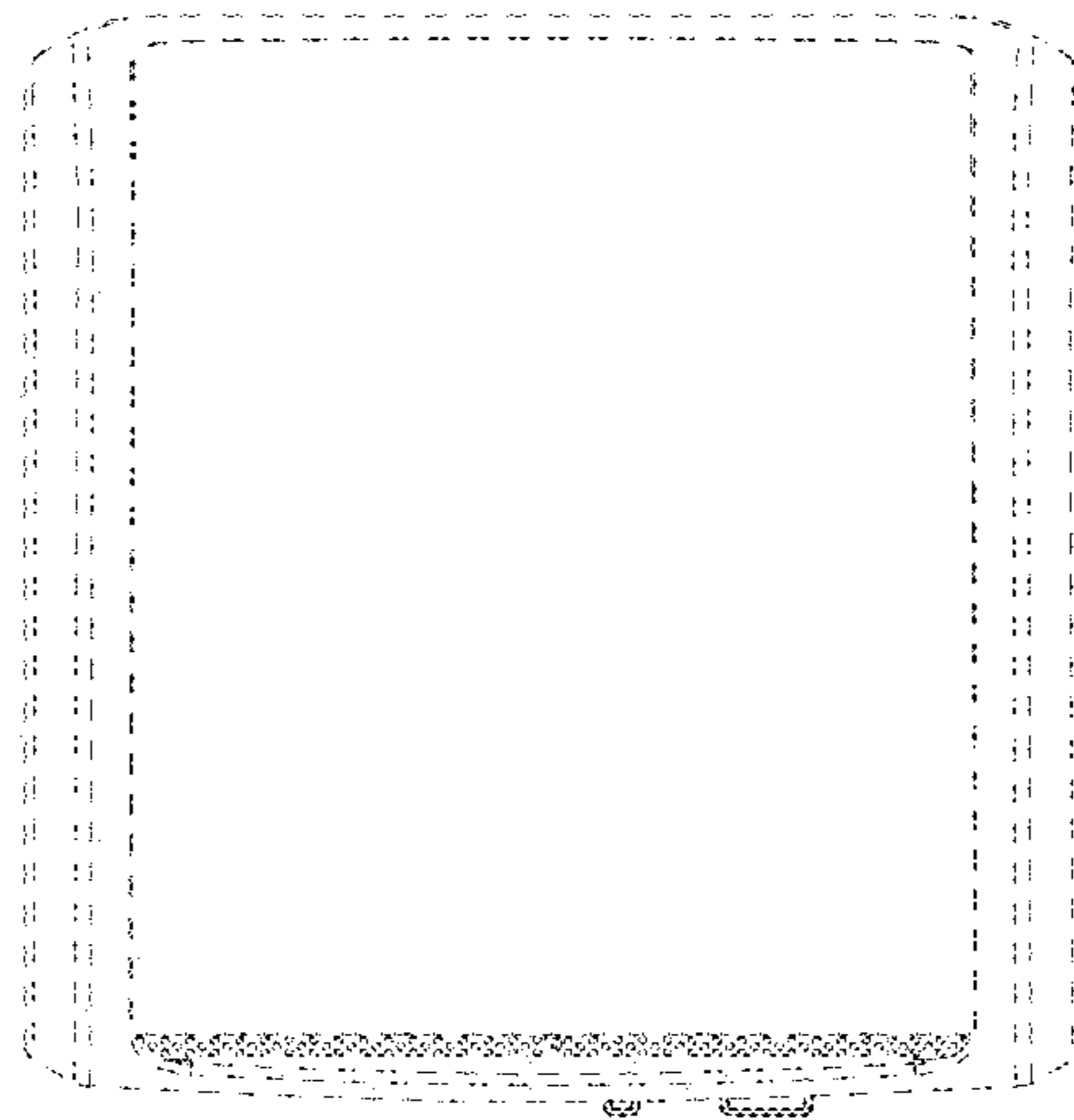


FIG. 7