



US00D955228S

(12) **United States Design Patent**
Xie

(10) **Patent No.:** **US D955,228 S**
(45) **Date of Patent:** **** Jun. 21, 2022**

(54) **ELECTRONIC CLOCK**

D914,519 S * 3/2021 Yu D10/15
D914,520 S * 3/2021 Yu D10/15
D929,241 S * 8/2021 Yu D10/2

(71) Applicant: **Hongrong Xie**, Guangxi (CN)

(72) Inventor: **Hongrong Xie**, Guangxi (CN)

(**) Term: **15 Years**

(21) Appl. No.: **29/755,837**

(22) Filed: **Oct. 23, 2020**

(51) **LOC (13) Cl.** **10-01**

(52) **U.S. Cl.**
USPC **D10/15**

(58) **Field of Classification Search**
USPC D10/1-6, 15, 24-27, 40-41, 52-53;
D14/170-172, 188, 341, 371
CPC G04G 17/00; G04G 17/005; G04G 17/08;
G04G 17/083; G04G 21/02; G04G
21/025
See application file for complete search history.

(56) **References Cited**

U.S. PATENT DOCUMENTS

D535,306 S * 1/2007 Tokioka D14/188
D646,902 S * 10/2011 Woo D6/308
D820,114 S * 6/2018 Hu D10/15
D828,184 S * 9/2018 Hu D10/26
D845,149 S * 4/2019 Yu D10/15
D875,553 S * 2/2020 Yu D10/2
D895,441 S * 9/2020 Yu D10/2

OTHER PUBLICATIONS

Zeithalter Home LED Digital Alarm Clock | aliexpress.com; no date posted [online]. © 2010-2022 AliExpress.com [retrieved Feb. 11, 2022] from Internet: <https://www.aliexpress.com/item/1005002552865432.html> (Year: 2022).*

* cited by examiner

Primary Examiner — Katherine Glennon

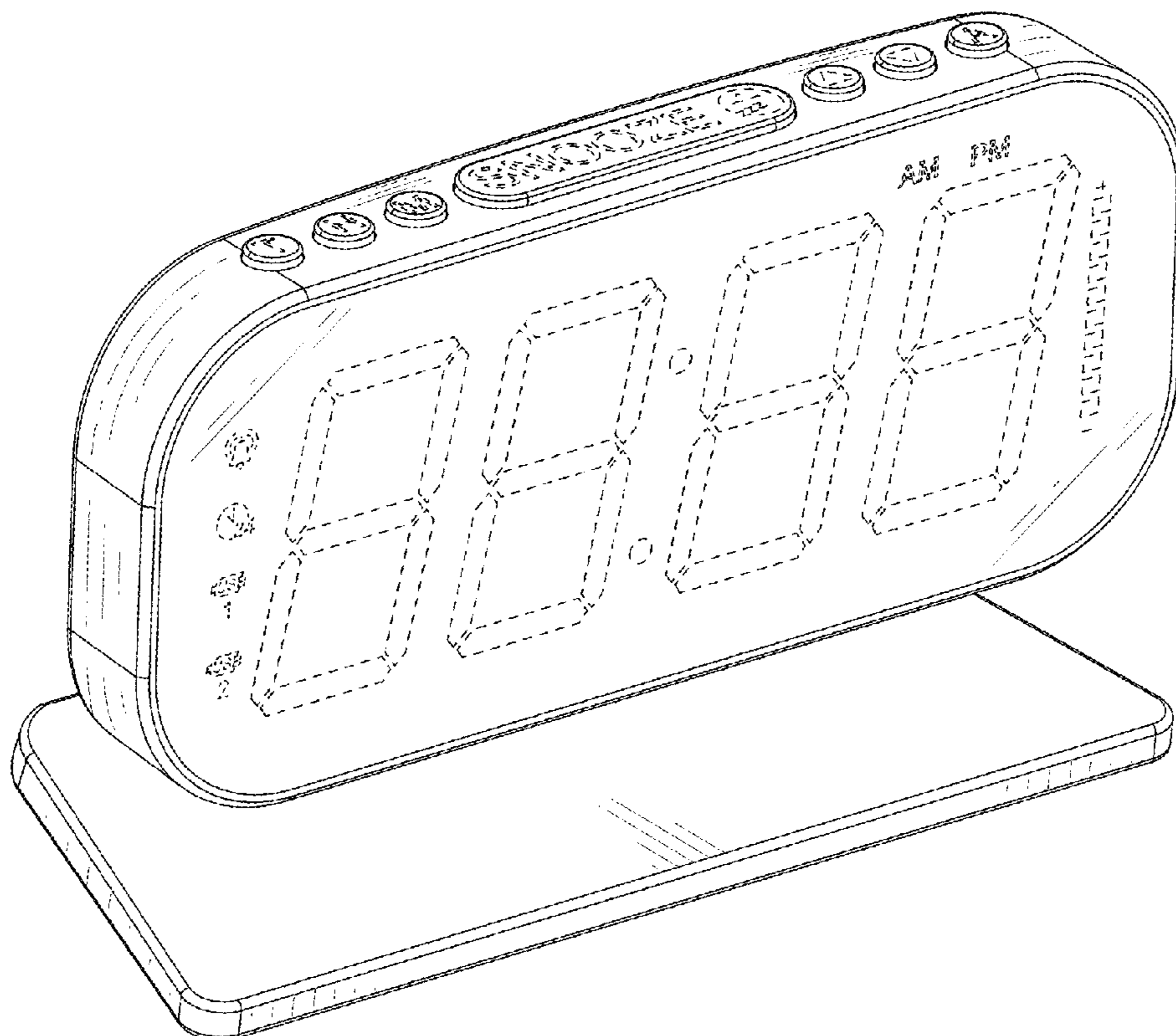
(57) **CLAIM**

The ornamental design for an electronic clock, as shown and described.

DESCRIPTION

FIG. 1 is a perspective view of an electronic clock showing my new design;
FIG. 2 is a front elevational view thereof;
FIG. 3 is a rear elevational view thereof;
FIG. 4 is a left side elevational view thereof;
FIG. 5 is a right side elevational view thereof;
FIG. 6 is a top plan view thereof;
FIG. 7 is a bottom plan view thereof; and,
FIG. 8 is another perspective view thereof.
The broken lines throughout the drawing figures depict portions of the electronic clock that form no part of the claimed design.

1 Claim, 8 Drawing Sheets



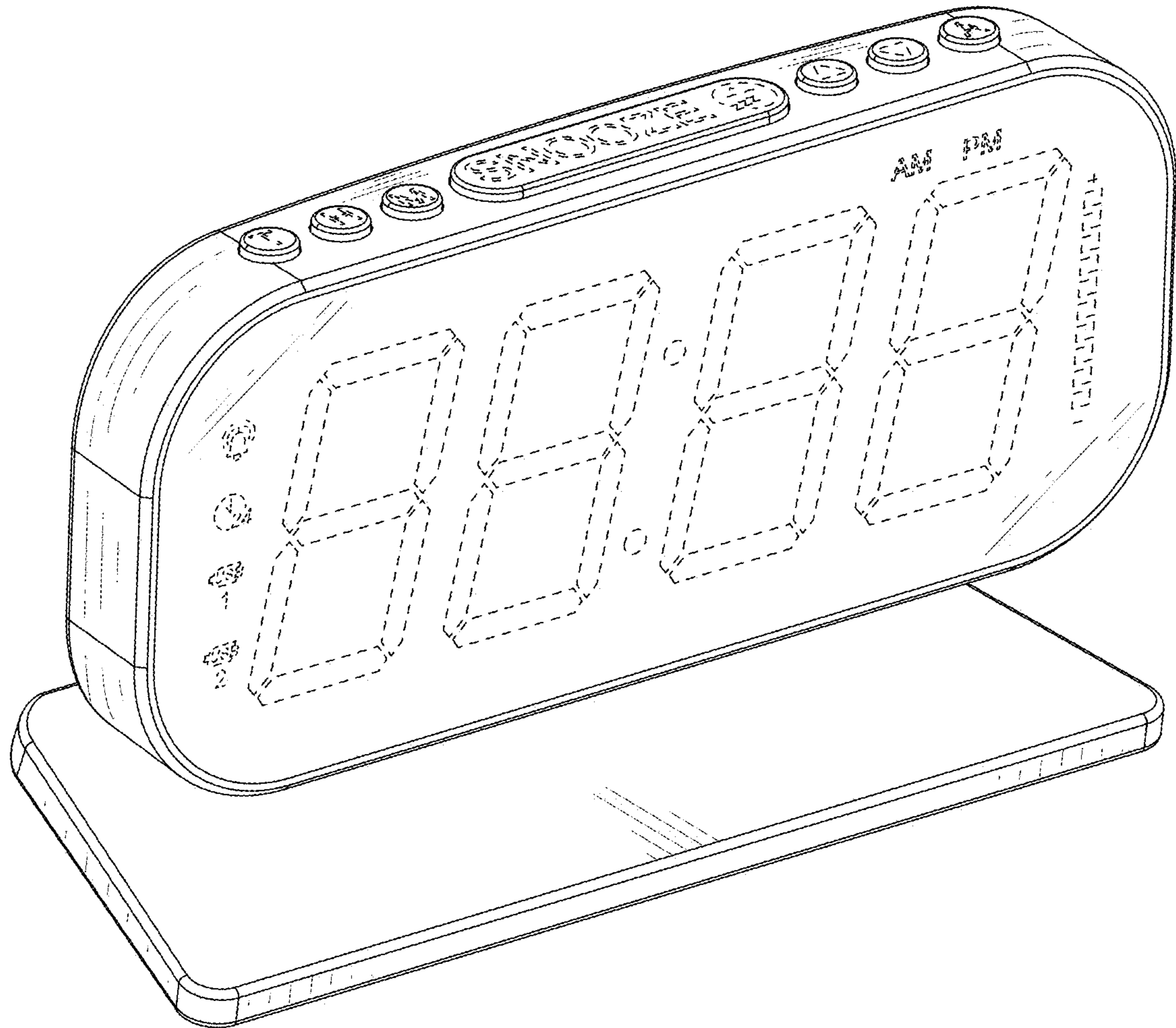


FIG.1

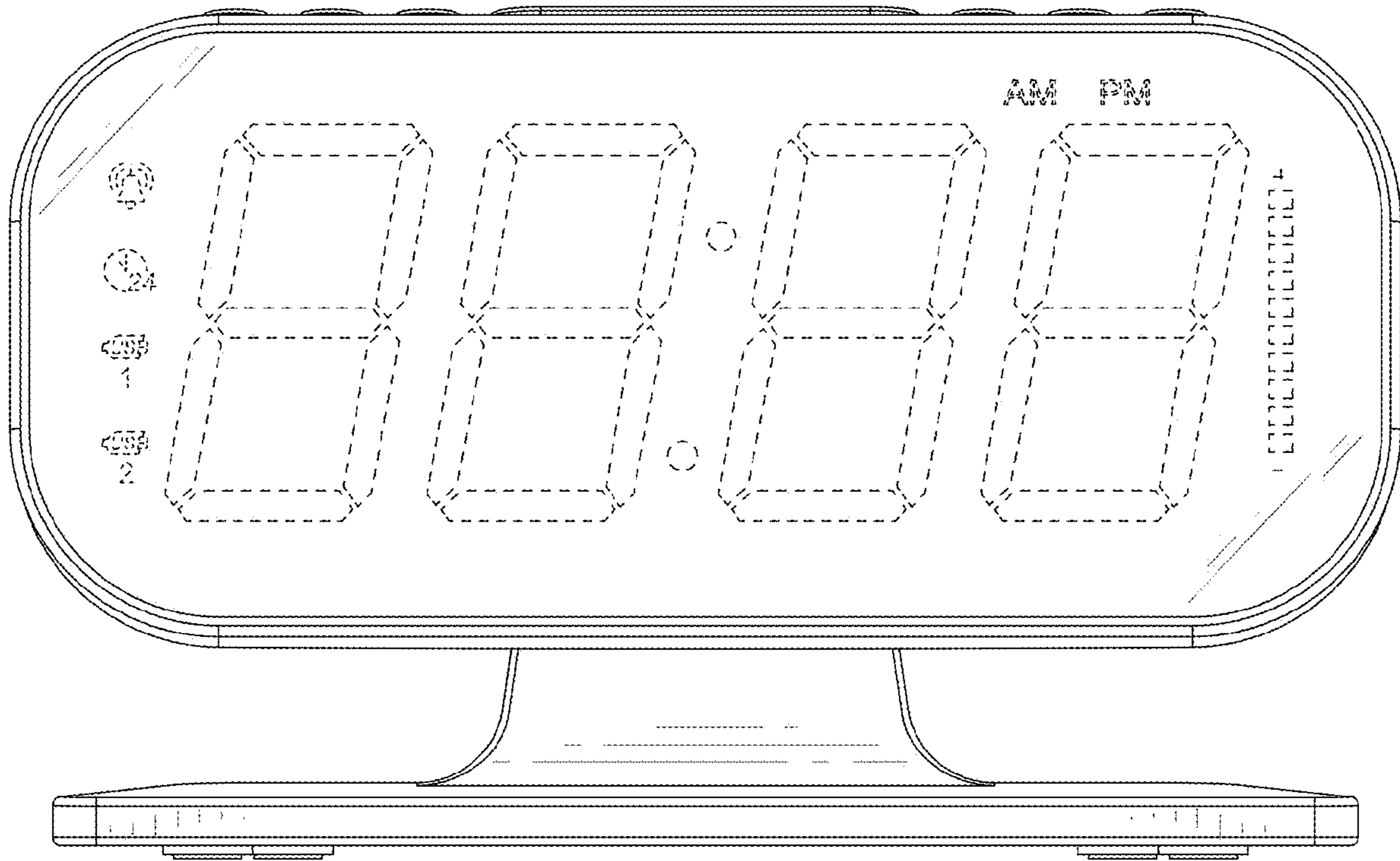


FIG.2

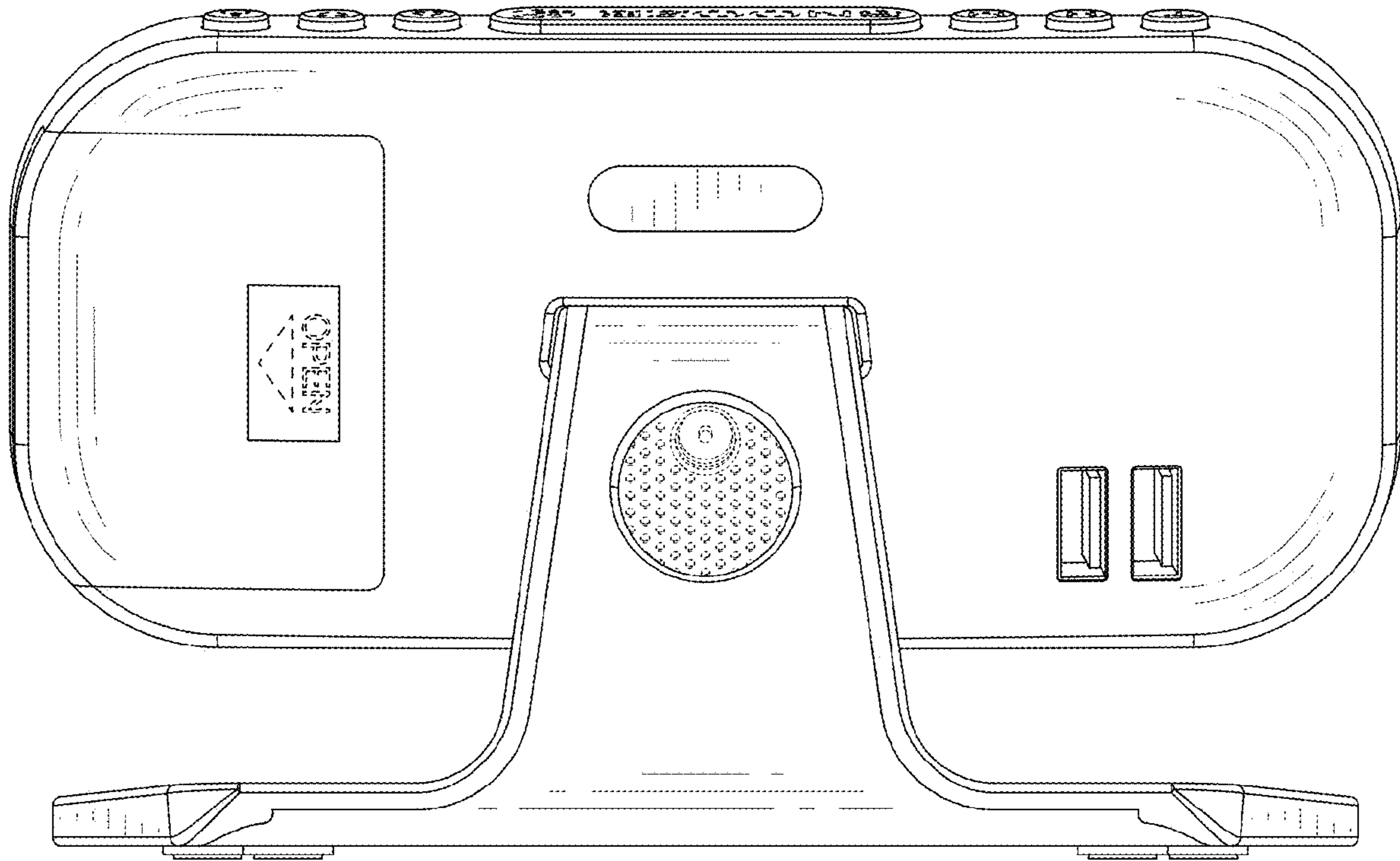


FIG.3

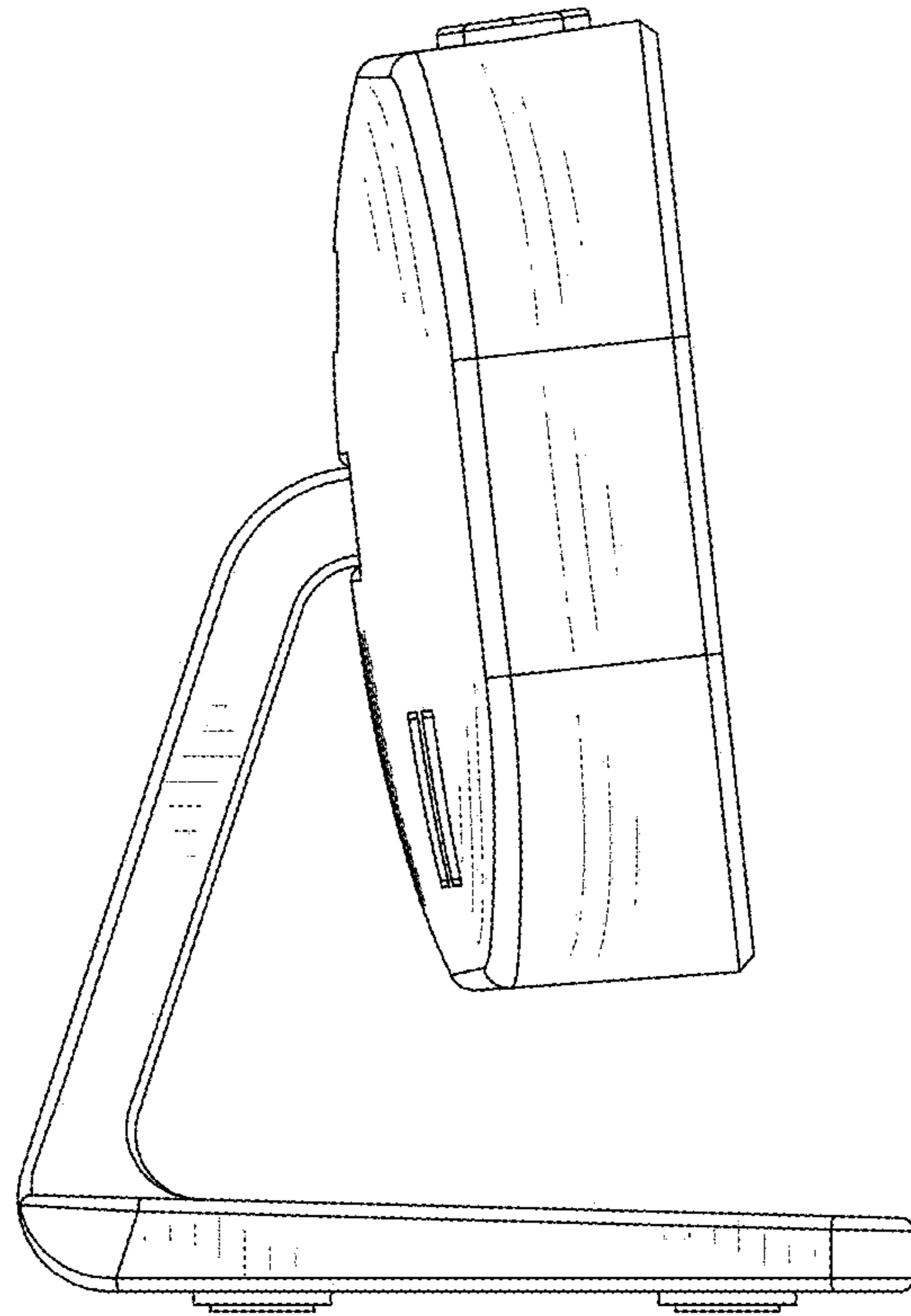


FIG.4

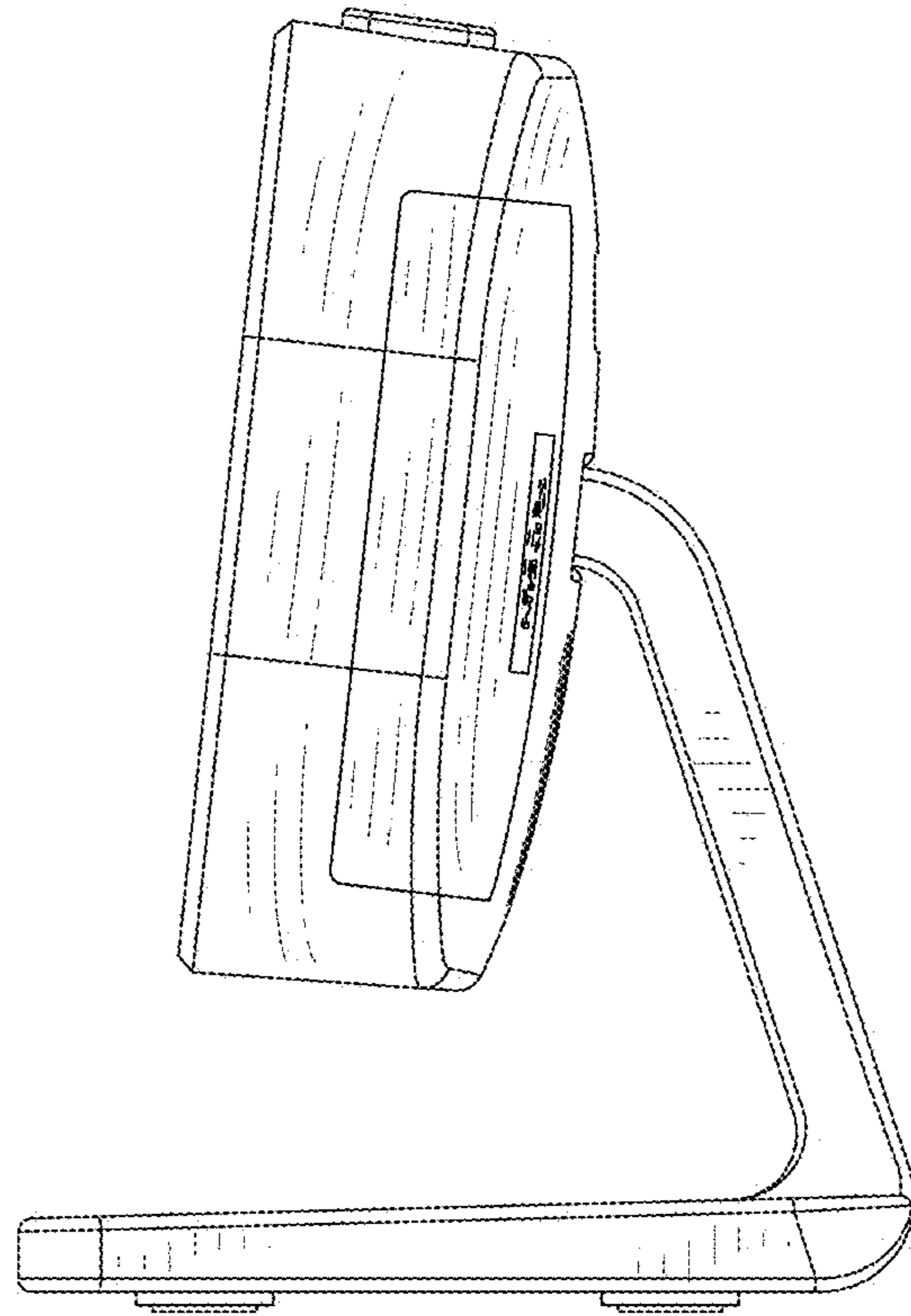


FIG.5

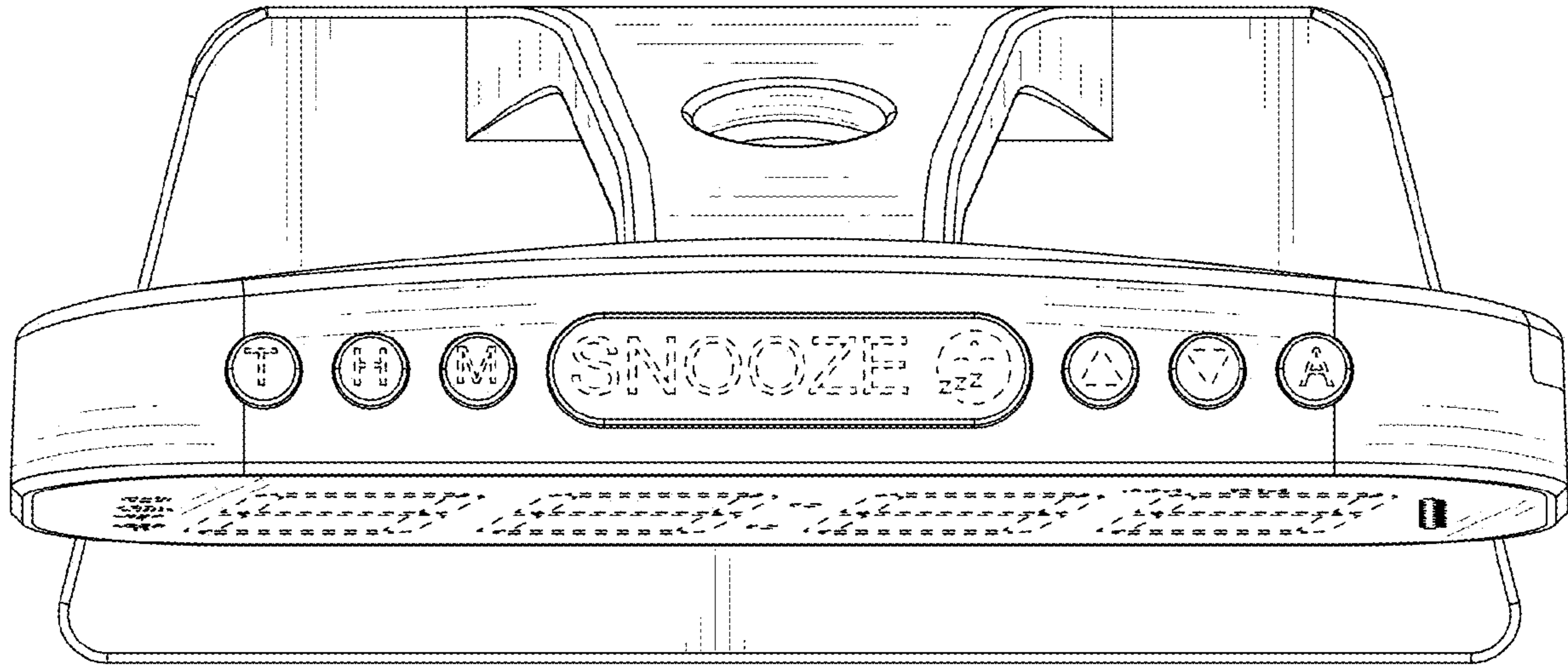


FIG.6

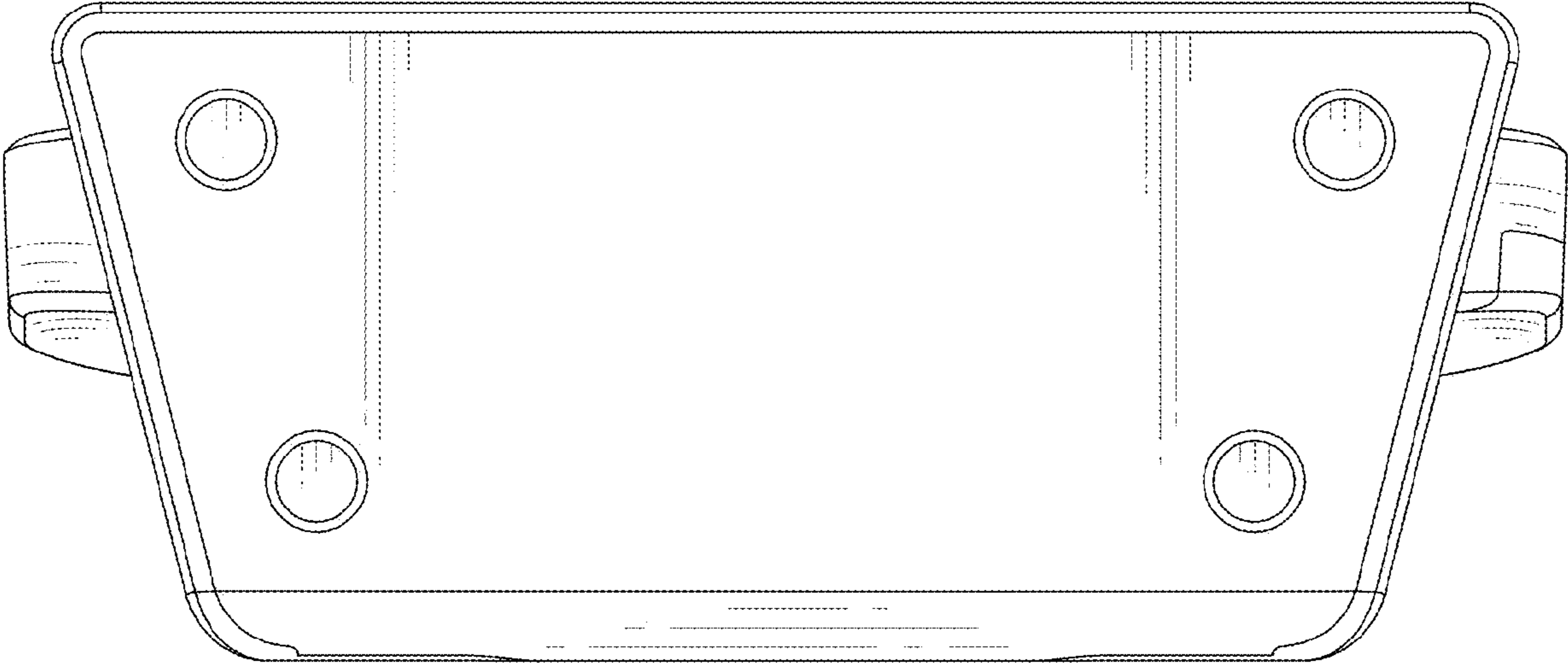


FIG.7

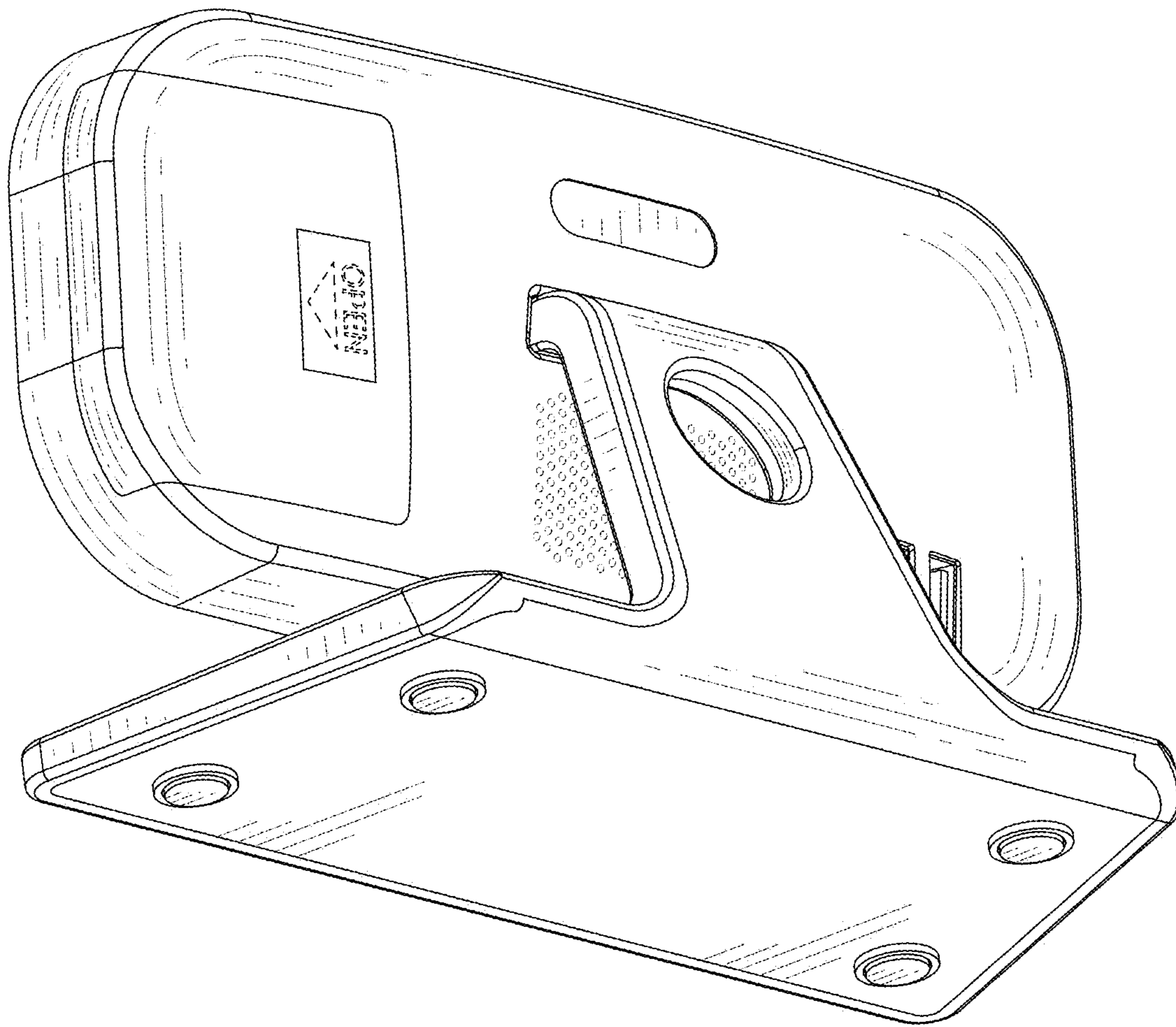


FIG.8