



US00D955225S

(12) **United States Design Patent** (10) **Patent No.:** **US D955,225 S**
Epstein et al. (45) **Date of Patent:** **** Jun. 21, 2022**

(54) **TWO COMPARTMENT PAPERBOARD CONTAINER**

4,877,178 A 10/1989 Eisman
4,905,889 A 3/1990 Schuster
4,944,451 A * 7/1990 Forbes, Jr. B65D 5/48022
229/114

(71) Applicants: **KARI-OUT LLC**, White Plains, NY (US); **HEFEI YUANCHUAN PACKAGE TECHNOLOGY CO., LTD.**, Hefei (CN)

(Continued)

(72) Inventors: **Paul Epstein**, White Plains, NY (US); **Zhen Zheng**, Hefei (CN)

International Search Report for PCT/US2019/052447 dated Oct. 30, 2019.

(73) Assignees: **KARI-OUT LLC**, Tarrytown, NY (US); **HEFEI YUANCHUAN PACKAGE TECHNOLOGY CO., LTD.**, Anhui (CN)

Primary Examiner — W. A. Teddy Falloway
(74) *Attorney, Agent, or Firm* — Pabst Patent Group LLP

(**) Term: **15 Years**

(57) **CLAIM**

We claim the ornamental design for a two compartment paperboard container, as shown and described.

(21) Appl. No.: **29/758,978**

DESCRIPTION

(22) Filed: **Nov. 19, 2020**

(51) **LOC (13) Cl.** **09-03**

(52) **U.S. Cl.**
USPC **D9/737**; D9/433; D9/761

(58) **Field of Classification Search**
USPC D9/732, 737, 756, 758, 414, 420, 421, D9/423, 424, 425, 428, 430-433, 456, D9/499; D7/553.1-553.8, 555; D24/226, D24/229, 230
CPC ... B65D 1/30; B65D 1/34; B65D 1/36; B65D 43/162; B65D 81/3453; B65D 21/0206; B65D 5/48002; B65D 5/48018; B65D 5/48022; B65D 5/48034; A61C 17/005; A61C 19/006; Y10S 229/904

See application file for complete search history.

FIG. 1 is a top isometric view of the container in an open configuration showing our new design;
FIG. 2 is a rear view thereof;
FIG. 3 is a right side view thereof;
FIG. 4 is a front view thereof;
FIG. 5 is a left side view thereof;
FIG. 6 is a top view thereof;
FIG. 7 is a bottom view thereof;
FIG. 8 is a top isometric view of the container shown in FIGS. 1-7 in a closed configuration;
FIG. 9 is a rear view of FIG. 8;
FIG. 10 is a right side view thereof;
FIG. 11 is a front view thereof;
FIG. 12 is a left side view thereof;
FIG. 13 is a top view thereof; and,
FIG. 14 is a bottom view thereof.

The broken lines are included for the purpose of illustrating environmental structure and form no part of the claimed design.

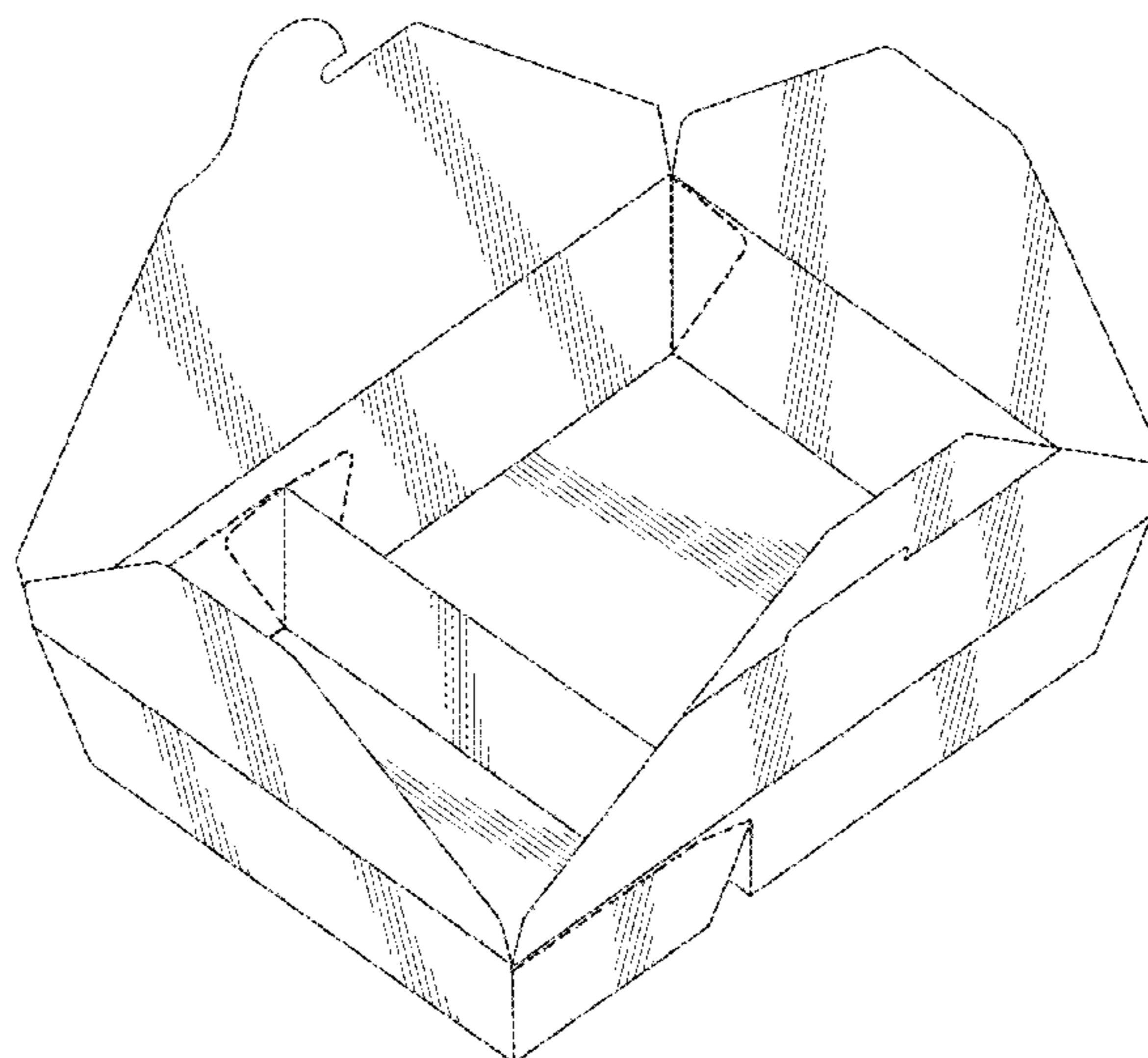
The shade lines in the Figures show contour and not surface ornamentation.

(56) **References Cited**

U.S. PATENT DOCUMENTS

3,876,132 A 4/1975 Kuchenbecker
4,489,879 A 12/1984 Mode
4,848,648 A * 7/1989 Eisman B65D 5/48
229/114

1 Claim, 14 Drawing Sheets



(56)

References Cited

U.S. PATENT DOCUMENTS

5,009,363 A	4/1991	Zavatone		7,673,747 B2	3/2010	Yoda	
D326,227 S	5/1992	Forbes, Jr.		8,523,049 B2	9/2013	Fitzwater	
5,160,081 A	11/1992	Beales		8,672,215 B2	3/2014	Learn	
D332,393 S	1/1993	Boone		8,733,626 B2	5/2014	Learn	
5,205,476 A	4/1993	Sorenson		8,844,718 B2	9/2014	Hall	
D348,610 S	7/1994	Forbes, Jr.		9,522,772 B2	12/2016	Fu	
5,411,204 A *	5/1995	DeMay	B65D 5/2047	9,908,690 B2	3/2018	Torben	
			229/114	10,266,304 B2	4/2019	Smith	
5,467,916 A	11/1995	Beales		10,829,262 B2 *	11/2020	Sill	B65D 5/5286
5,575,420 A *	11/1996	Whitnell	B65D 5/48002	10,913,566 B2 *	2/2021	Exner	B65D 71/40
			229/104	2005/0205570 A1 *	9/2005	Ramirez	B65D 43/22
5,588,583 A *	12/1996	Cargile, Jr.	B65D 5/48022				220/4.21
			229/120.17	2011/0253587 A1	10/2011	Pinkstone	
5,601,231 A	2/1997	Cai		2012/0037692 A1	2/2012	Fitzwater	
5,839,652 A	11/1998	Ben-Haim		2012/0138668 A1	6/2012	Zinck	
5,908,152 A *	6/1999	Tullis	B65D 5/2047	2014/0263595 A1 *	9/2014	Pantelleria	B65D 81/3216
			229/120.16				229/120.37
6,471,121 B1	10/2002	Nielsen		2016/0362217 A1	12/2016	Hajek	
D519,366 S *	4/2006	Epstein	D9/431	2018/0251256 A1 *	9/2018	Baryshyan	B65D 5/48034
7,293,695 B2	11/2007	Stier		2019/0047746 A1 *	2/2019	Kunishima	B65D 5/244
				2021/0053718 A1 *	2/2021	Bautista Fernandez	B65D 5/5021
							B65D 5/5021
				2021/0284381 A1 *	9/2021	Valencia	B65D 5/2061

* cited by examiner

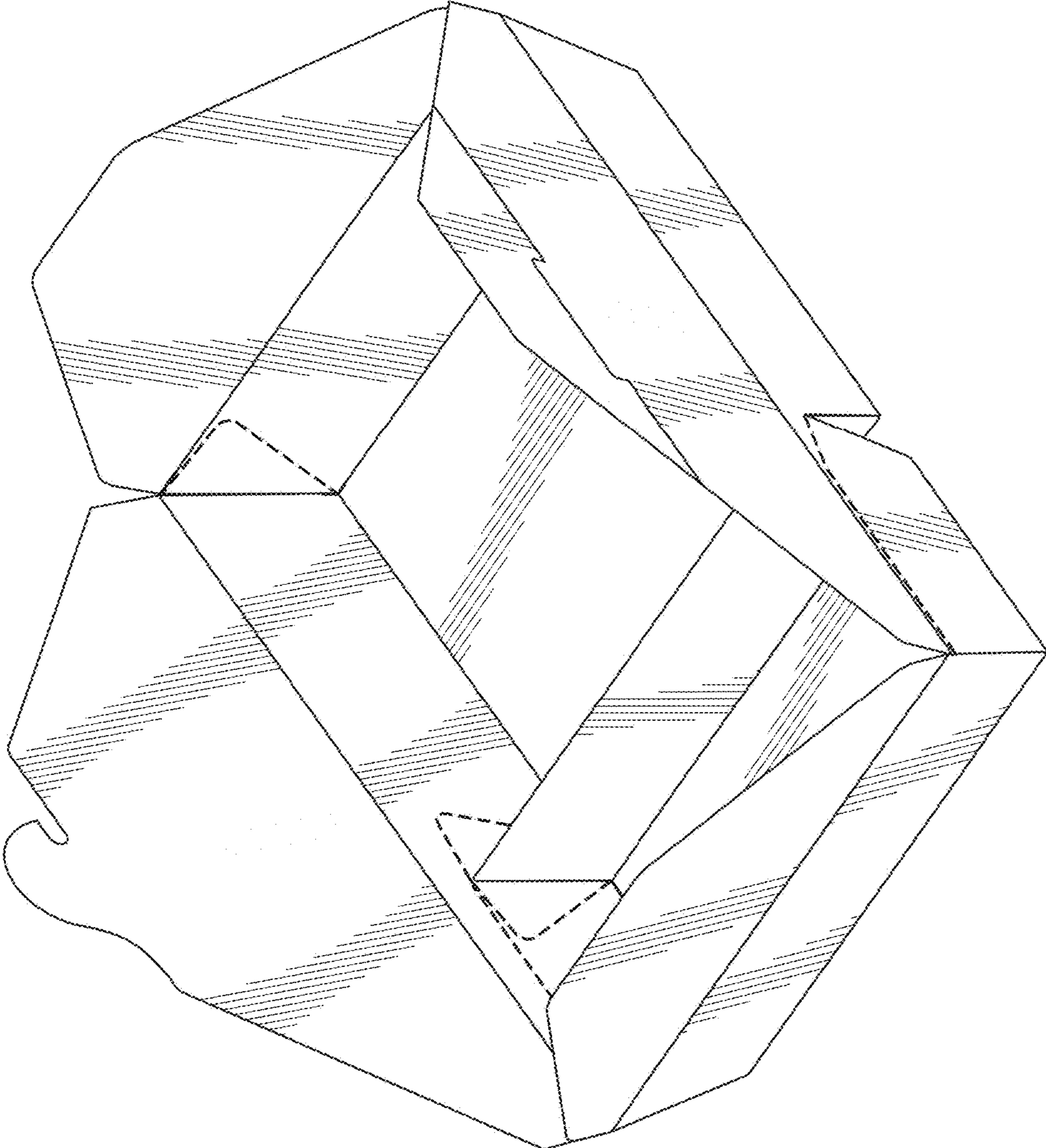


FIG. 1

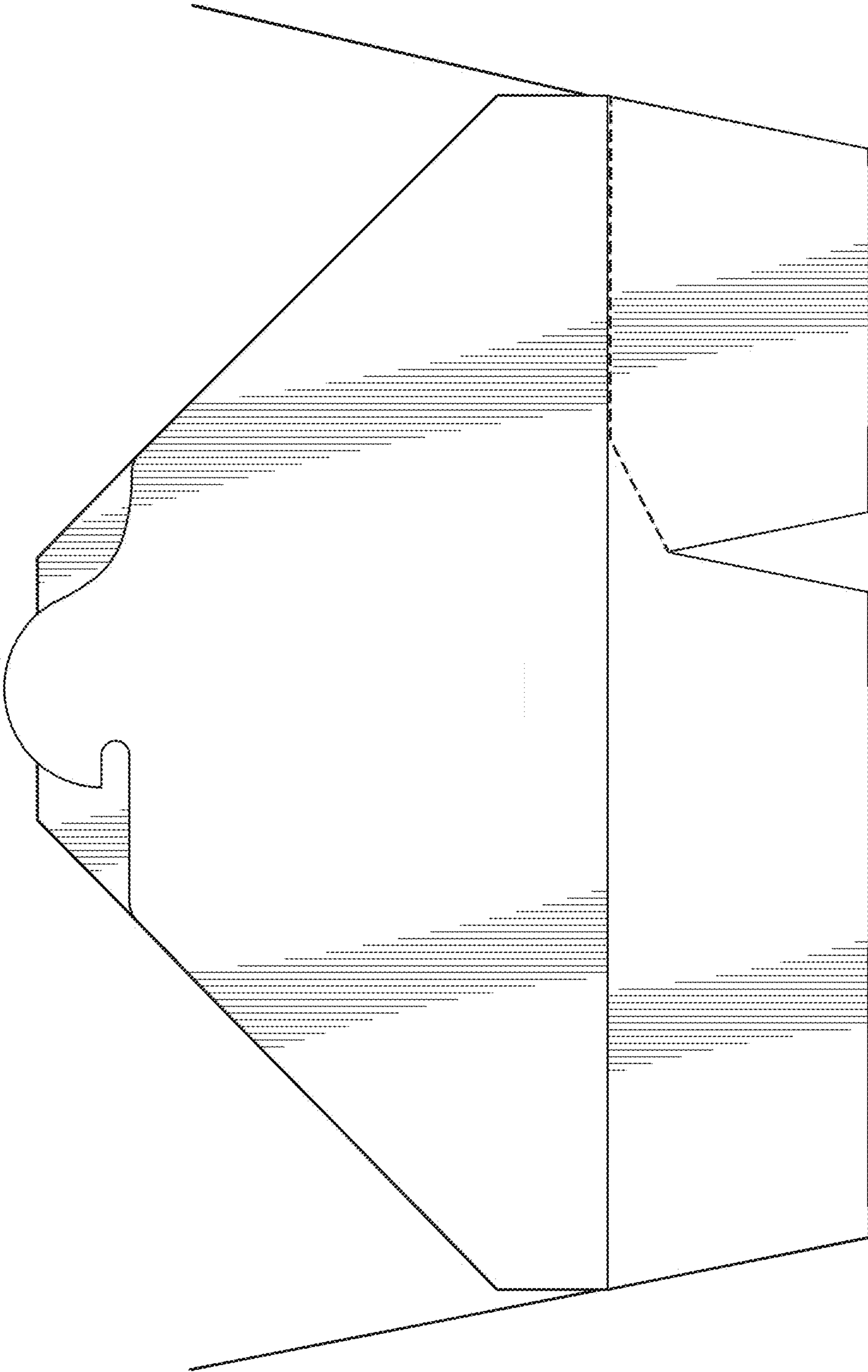


FIG. 2

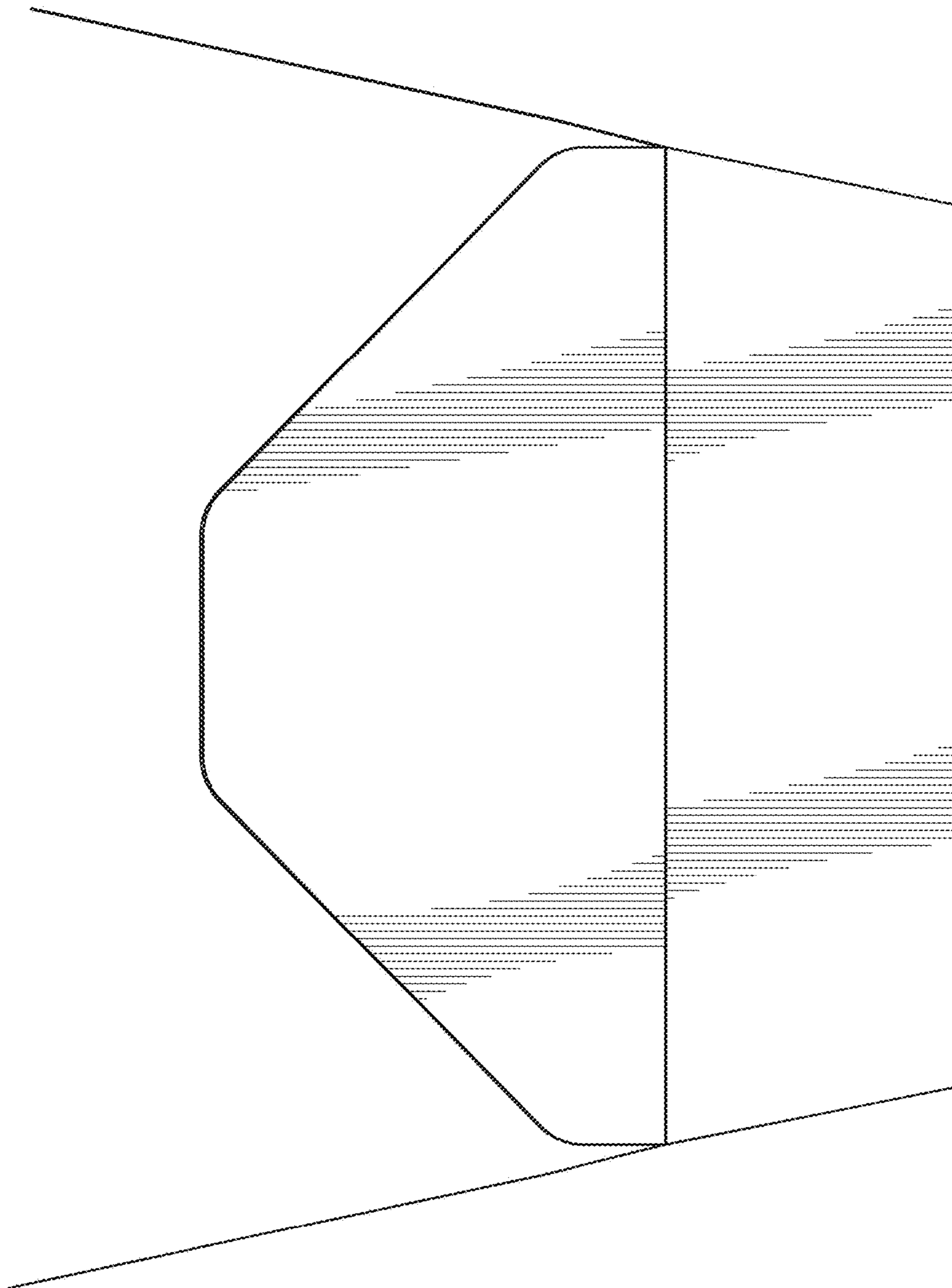


FIG. 3

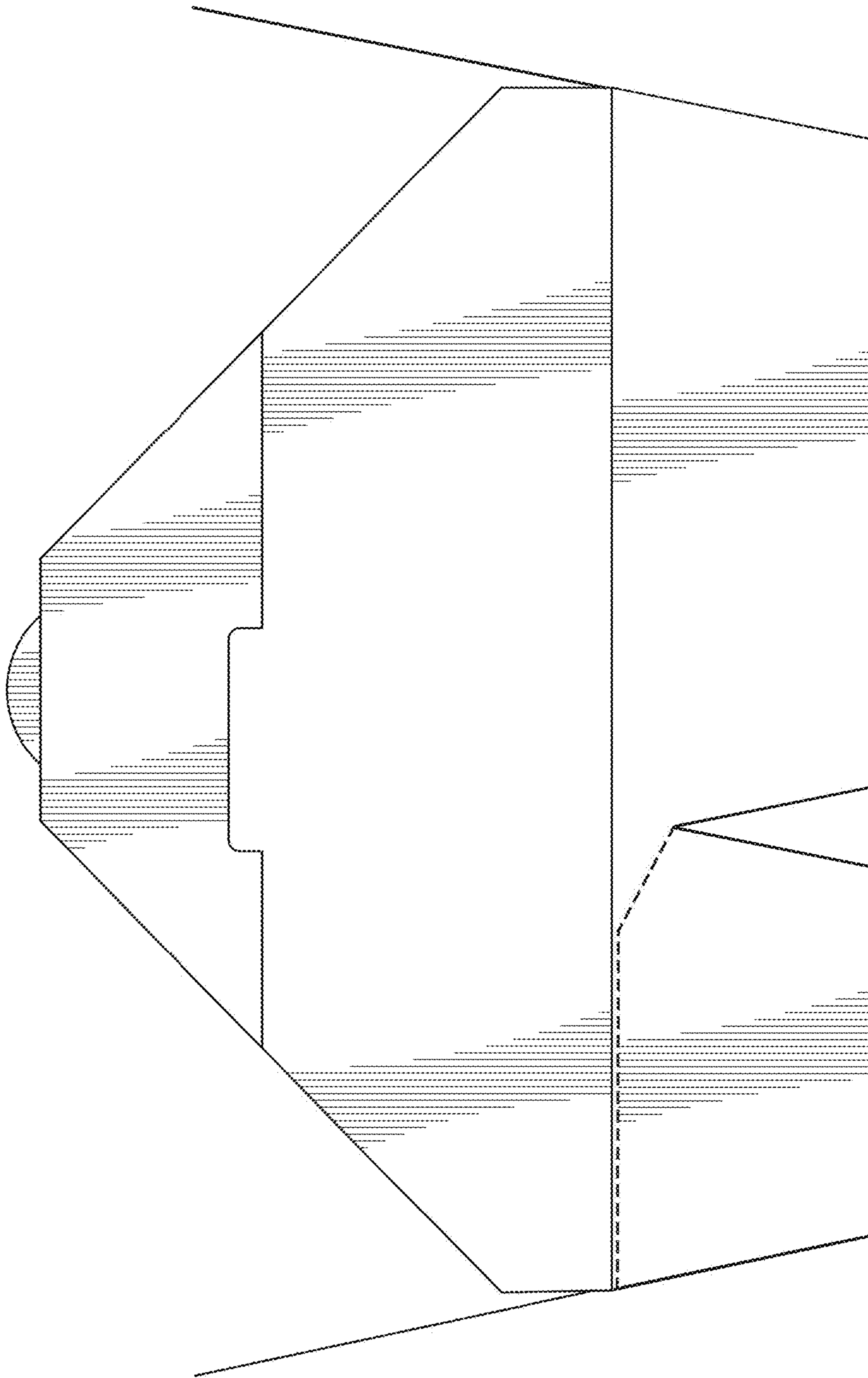


FIG. 4

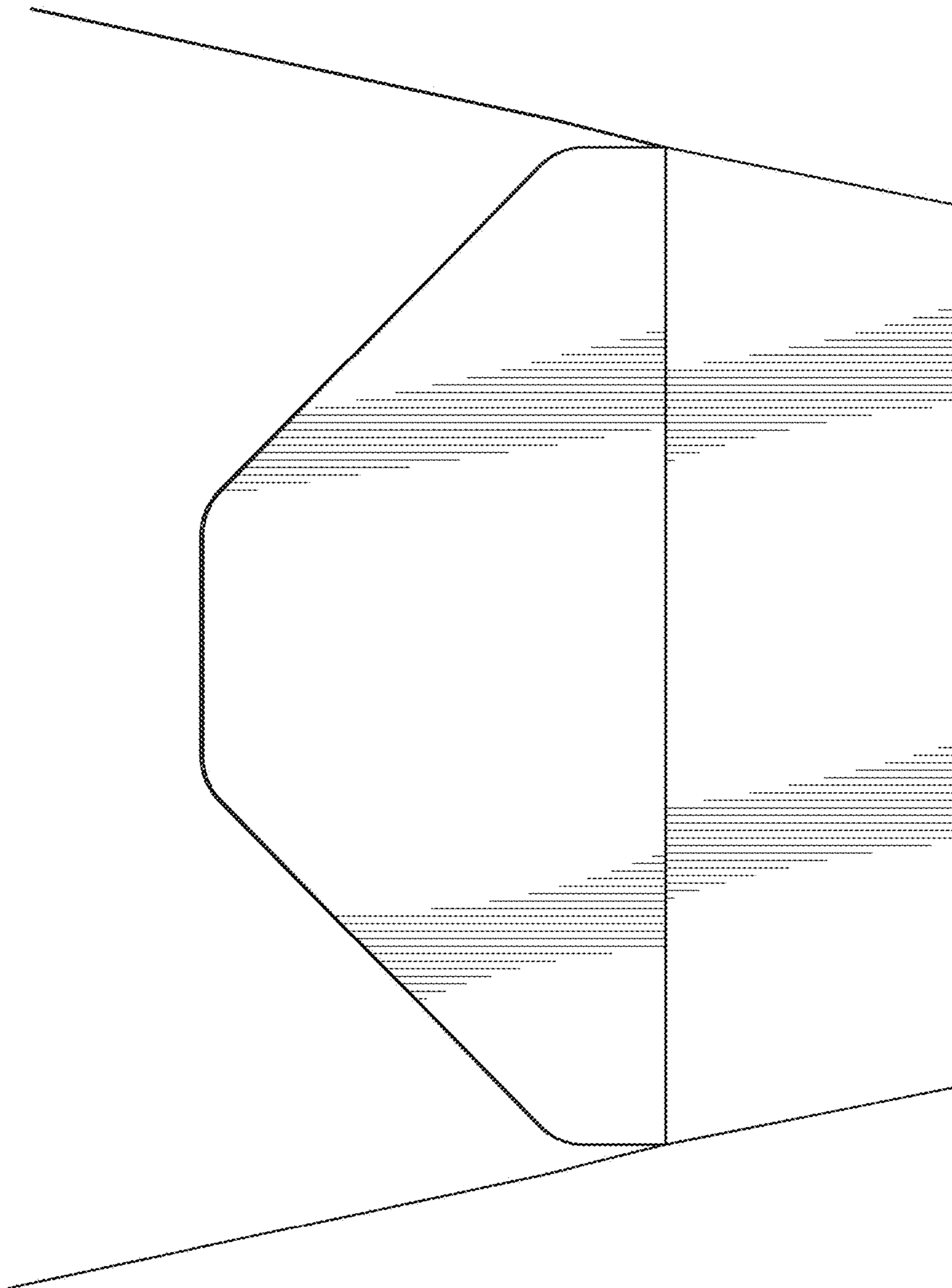


FIG. 5

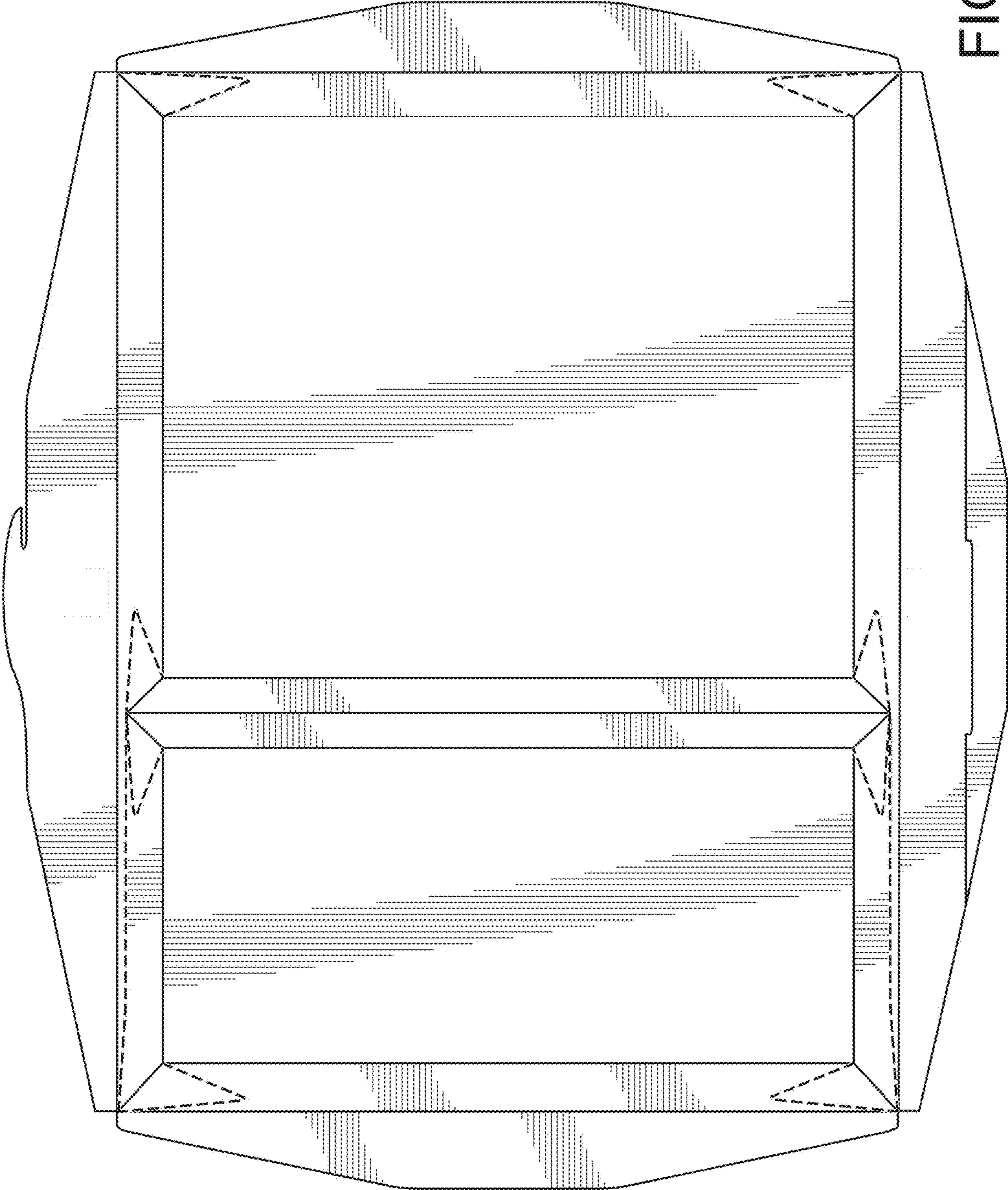


FIG. 6

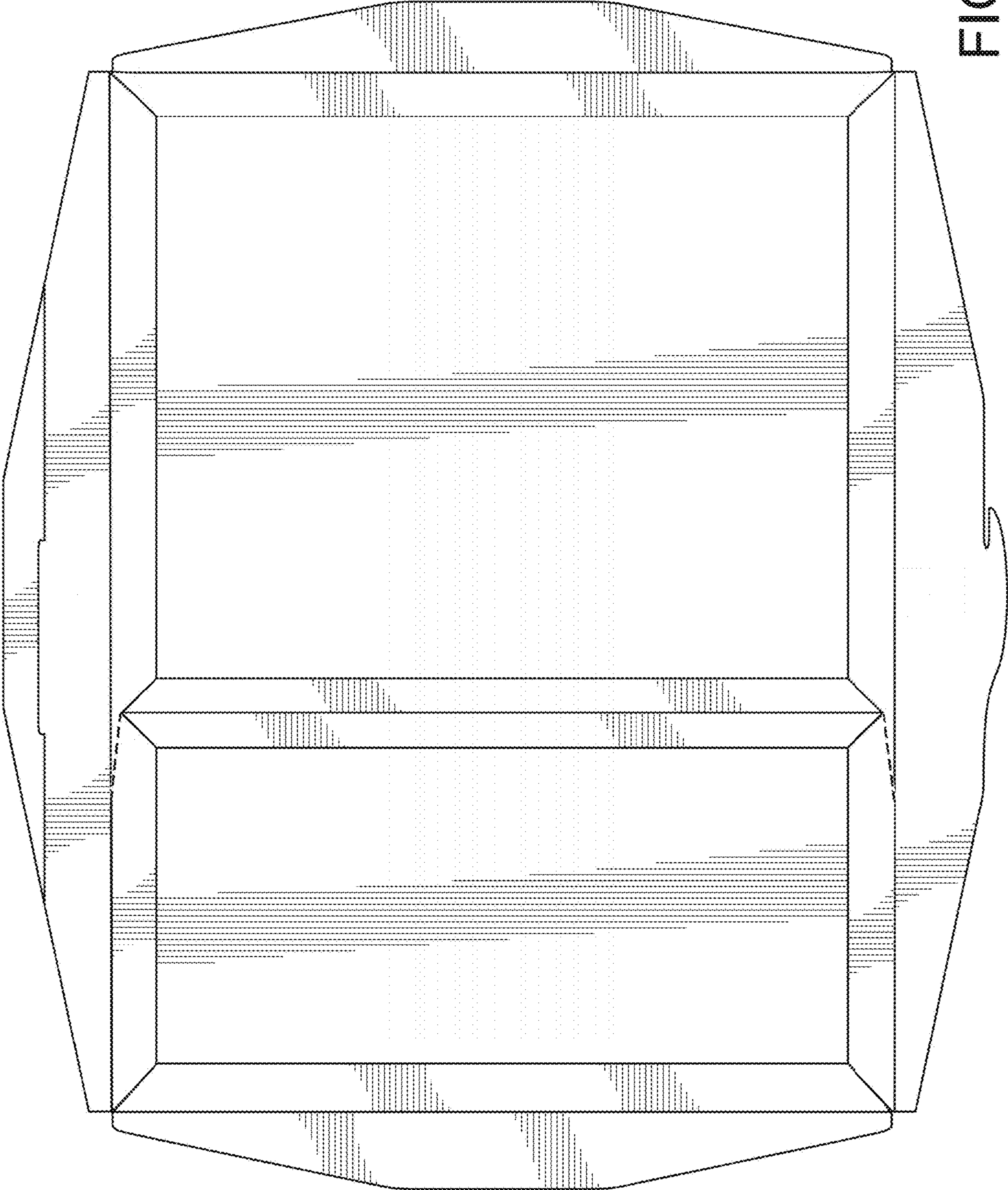


FIG. 7

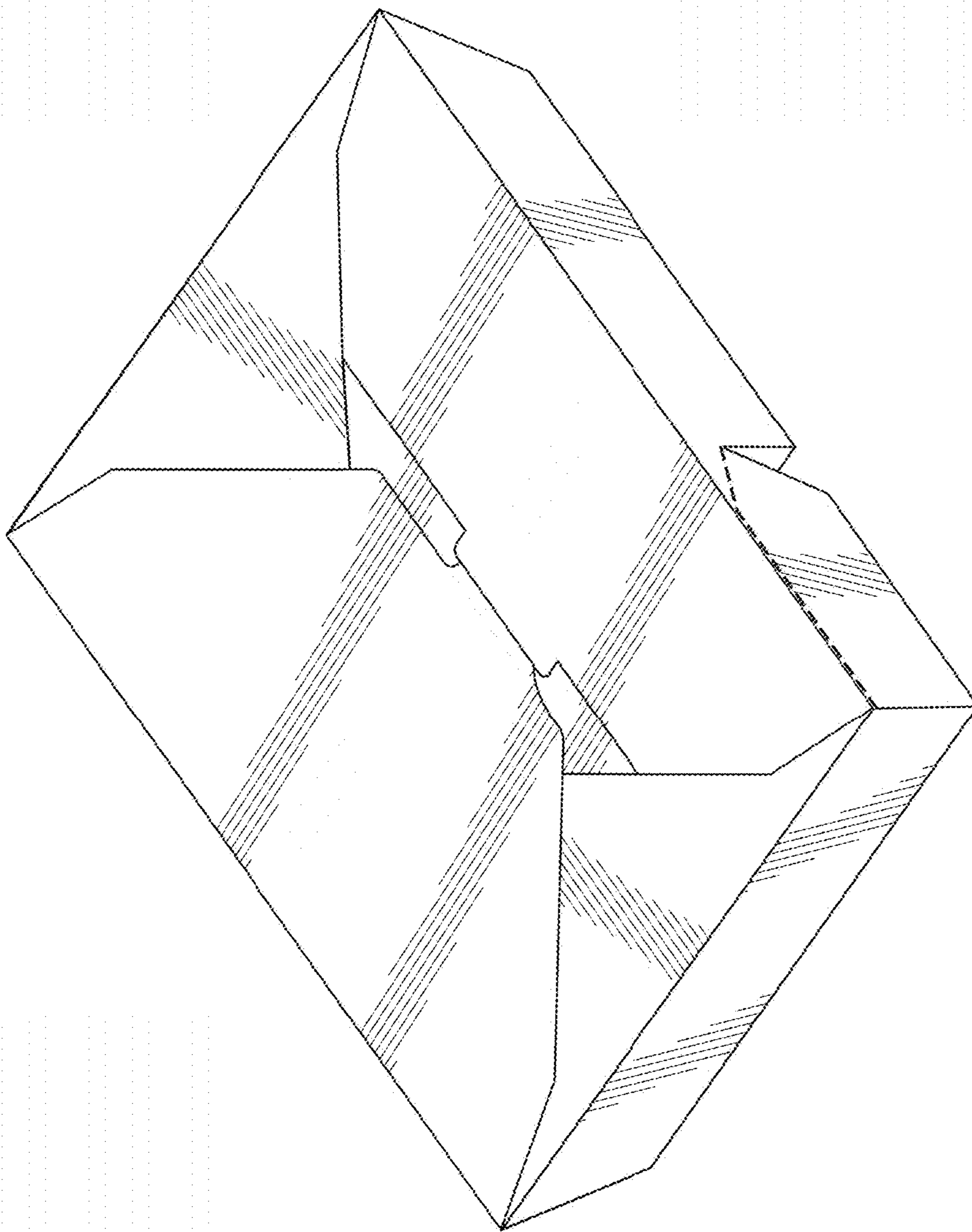


FIG. 8

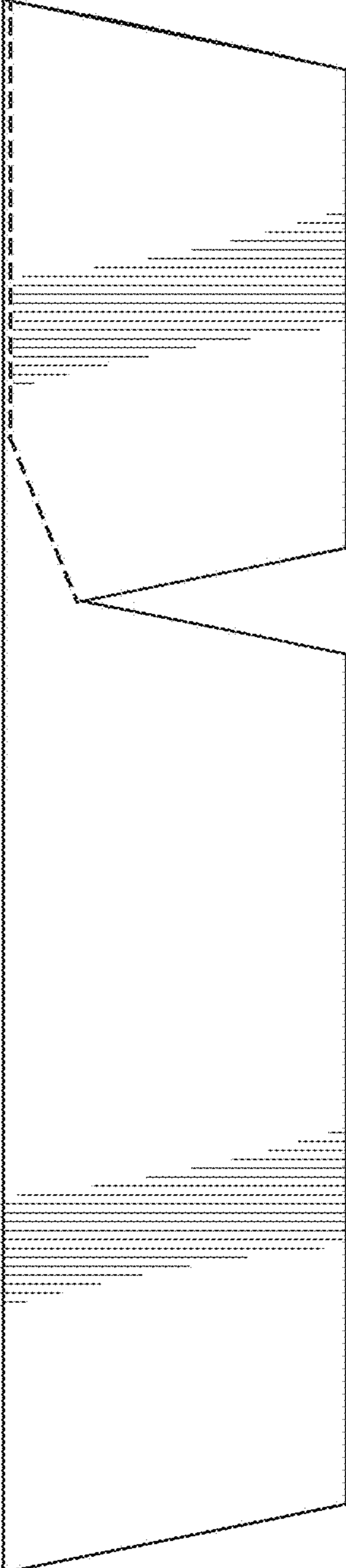


FIG. 9

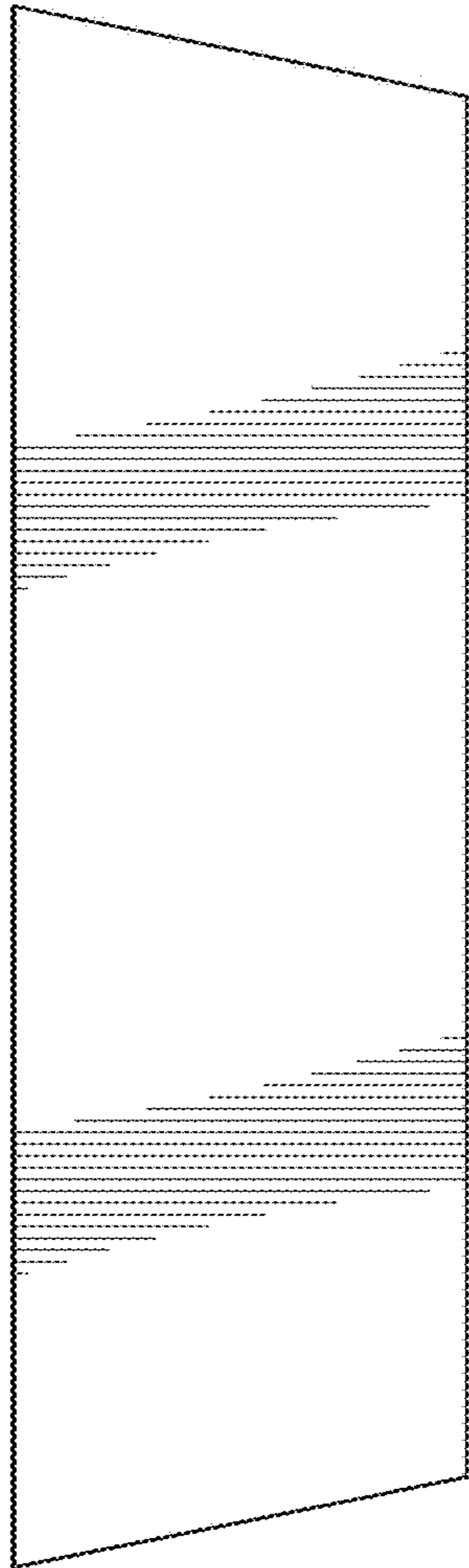


FIG. 10

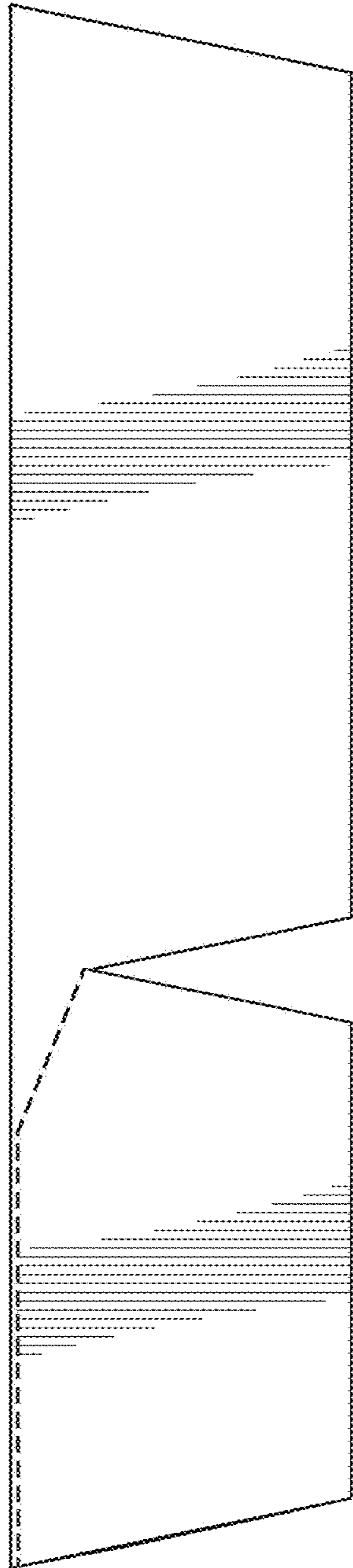


FIG. 11

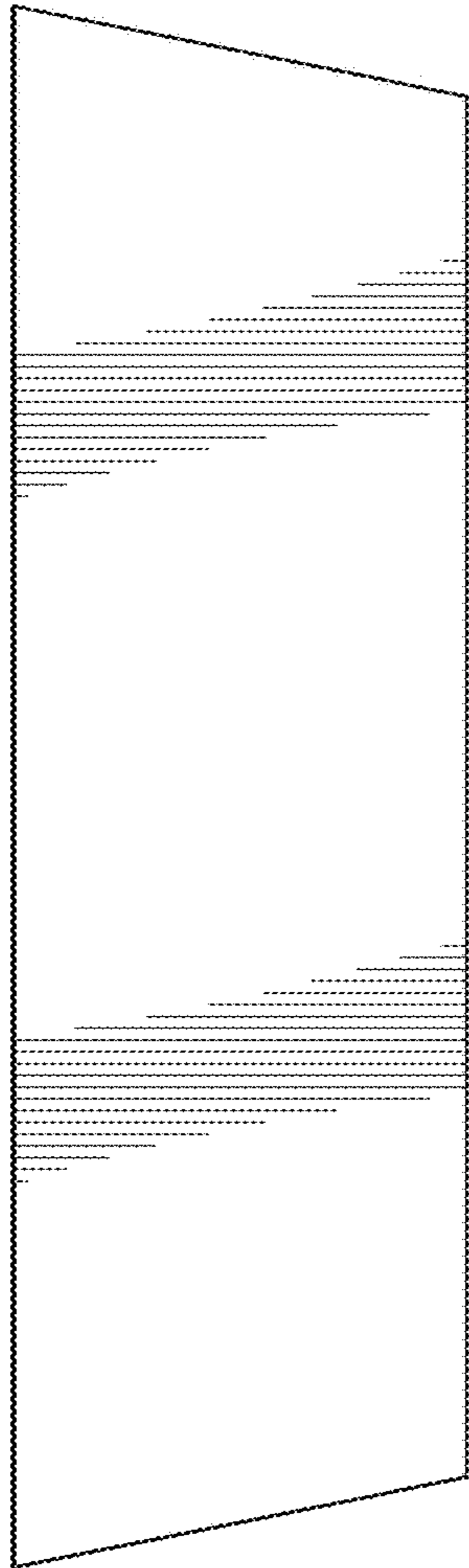


FIG. 12

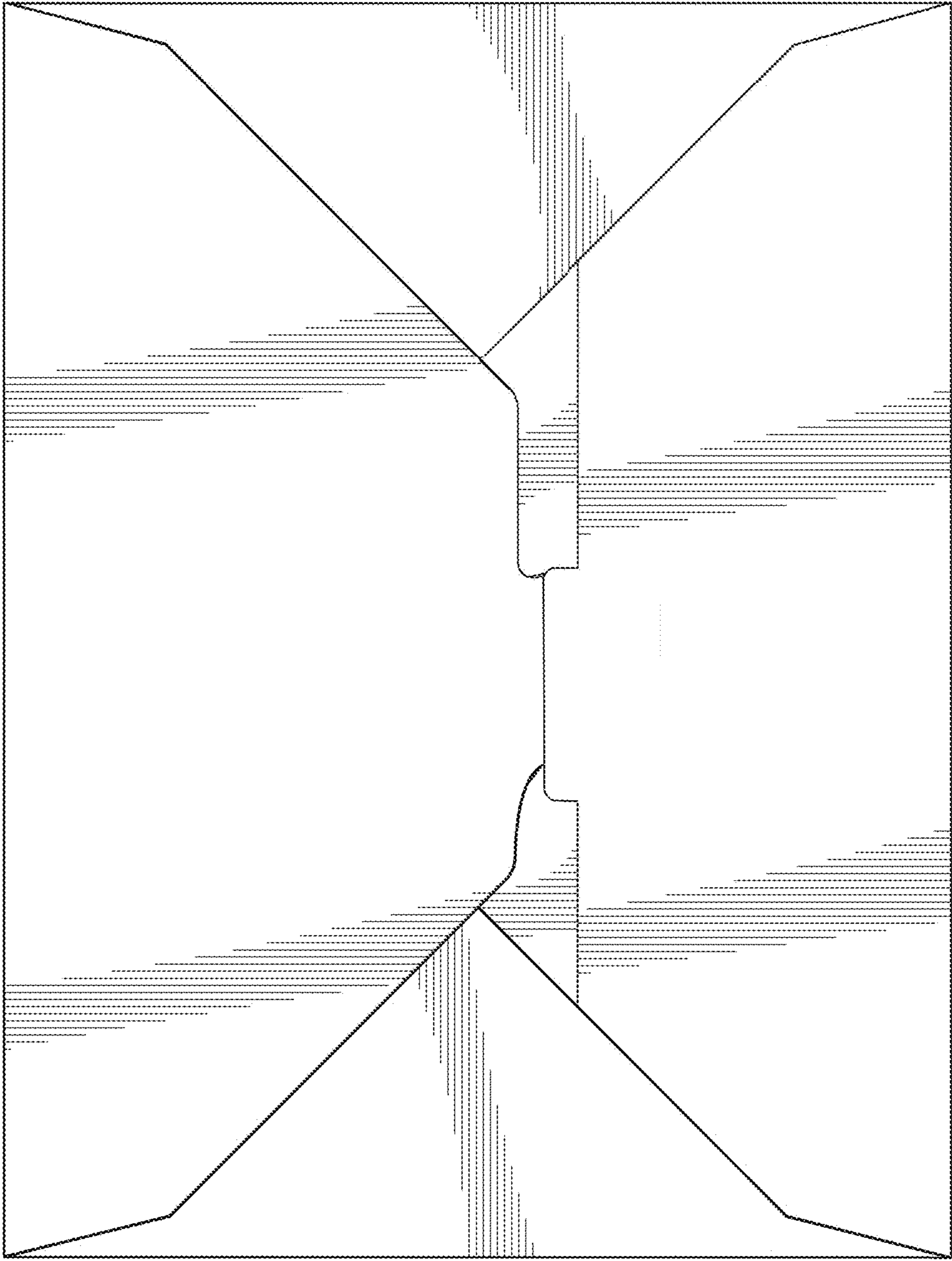


FIG. 13

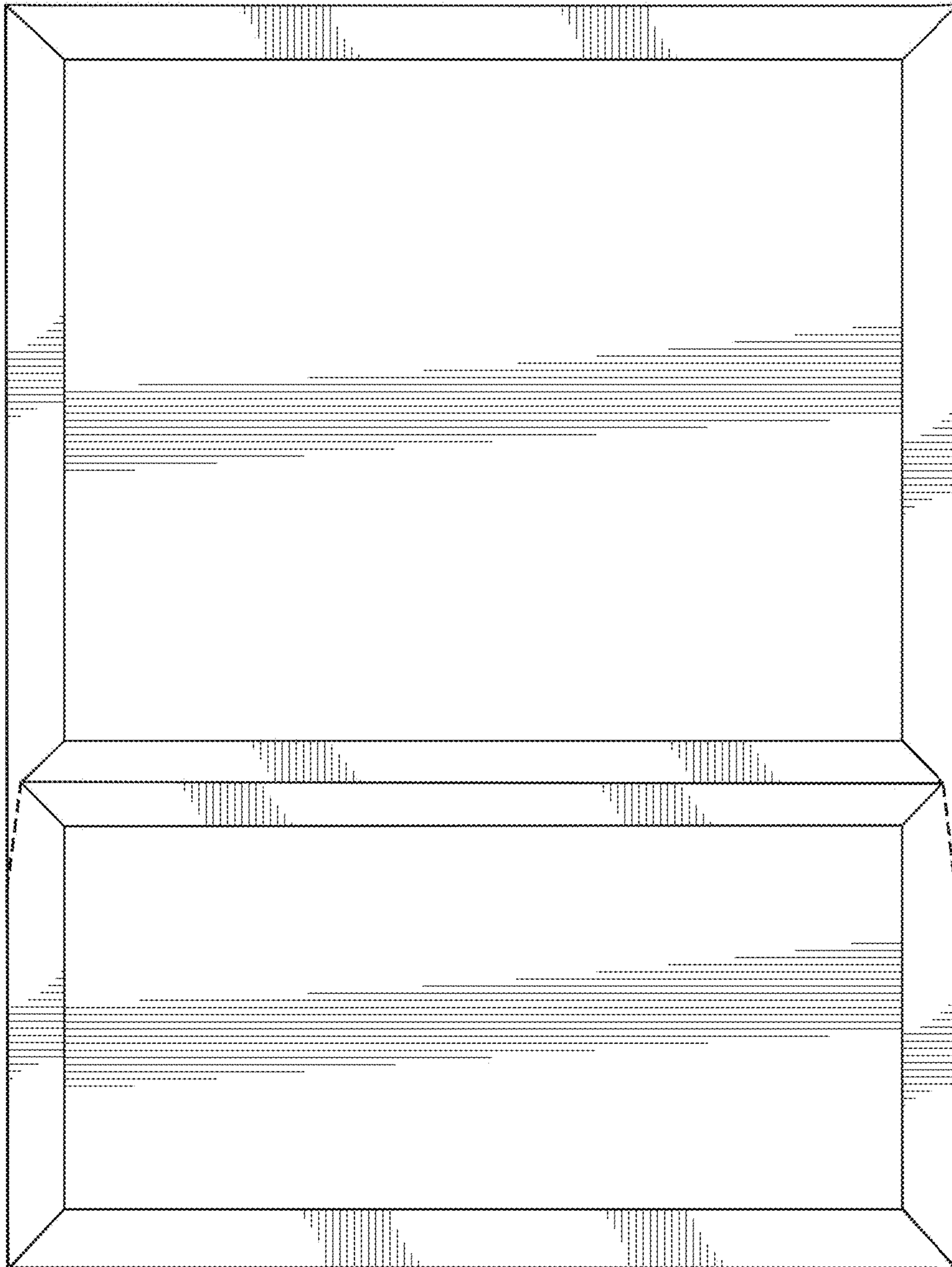


FIG. 14