



US00D955219S

(12) **United States Design Patent** (10) **Patent No.:** **US D955,219 S**  
**Chinnakaruppan et al.** (45) **Date of Patent:** **\*\* Jun. 21, 2022**

(54) **BOTTLE STOPPER** A45D 40/20; A45D 40/24; A45D 40/02;  
A45D 40/06; A45D 40/18;

(71) Applicant: **Kramer Laboratories, Inc.**,  
Bridgewater, NJ (US) (Continued)

(72) Inventors: **Sathappan C. Chinnakaruppan**,  
Macungie, PA (US); **Evan Bashoff**,  
Summit, NJ (US)

(73) Assignee: **Kramer Laboratories, Inc.**,  
Bridgewater, NJ (US)

(\*\*) Term: **15 Years**

(21) Appl. No.: **29/761,393**

(22) Filed: **Dec. 9, 2020**

(51) **LOC (13) Cl.** ..... **07-06**

(52) **U.S. Cl.**  
USPC ..... **D9/440**

(58) **Field of Classification Search**  
USPC ..... D3/17, 29; D7/368, 387, 389, 391,  
D7/392.1, 396.1, 396.2, 396.4, 397, 400,  
D7/514, 516, 519, 539, 544, 571, 573,  
D7/578; D9/414, 416, 417, 434, 435,  
D9/436, 439, 440, 441, 443, 445, 447,  
D9/448, 451, 452, 453, 454, 601, 682,  
D9/685, 686, 688, 690, 695, 707, 708,  
D9/709, 723, 724, 727; D23/206, 208,  
D23/209, 213, 223, 226, 259, 260, 261;  
D24/112, 121, 127, 162, 194, 196;  
D28/4, 76, 79, 80, 81, 82, 84, 85, 87,  
D28/91.1; D6/542; D11/152; D22/115,  
D22/116

CPC ..... B65D 85/8064; B65D 85/8043;  
B65D 77/20; B65D 25/48; B65D  
2543/00046; B65D 2543/00092; B65D  
2585/56; B65D 2585/545; A47J 31/407;  
A47J 31/04; A47J 31/10; A47J 31/24;  
A23F 5/24; B05B 11/0032; B05B  
11/0027; B05B 11/3004; B05B 11/3015;  
B05B 11/306; B05B 11/3064; B05B  
11/3059; B65B 29/06; A45D 33/24;  
A45D 33/26; A45D 33/28; A45D 40/00;

(56) **References Cited**

U.S. PATENT DOCUMENTS

2,627,619 A \* 2/1953 Gagen ..... A45D 34/046  
401/122  
2,644,183 A \* 7/1953 Kellett ..... B65D 51/32  
401/122

(Continued)

FOREIGN PATENT DOCUMENTS

CN 103476452 A 12/2013  
CN 204264692 U 4/2015

(Continued)

OTHER PUBLICATIONS

Cake decorating tips: Announced Jun. 26, 2019 [online]. Site  
Visited [Mar. 23, 2022]. Available from Internet URL: [https://www.amazon.com/Dessert-Dispenser-Professional-Stainless-Decorating/dp/B07TK93PTV/ref=sr\\_1\\_30?crd=C0LCMZ21FACV&keywords=Whipped+Cream+Nozzle&qid=1648068862&sprefix=whipped+cream+nozzle%2Caps%2C104&sr=8-30.\\*](https://www.amazon.com/Dessert-Dispenser-Professional-Stainless-Decorating/dp/B07TK93PTV/ref=sr_1_30?crd=C0LCMZ21FACV&keywords=Whipped+Cream+Nozzle&qid=1648068862&sprefix=whipped+cream+nozzle%2Caps%2C104&sr=8-30.*)

(Continued)

*Primary Examiner* — Catherine S Posthauer  
(74) *Attorney, Agent, or Firm* — Lowenstein Sandler LLP

(57) **CLAIM**

The ornamental design for a bottle stopper, as shown and  
described.

**DESCRIPTION**

FIG. 1 is a perspective view of a bottle stopper showing our  
new design;  
FIG. 2 is an elevational view thereof, the bottle stopper  
having circumferential symmetry;

(Continued)

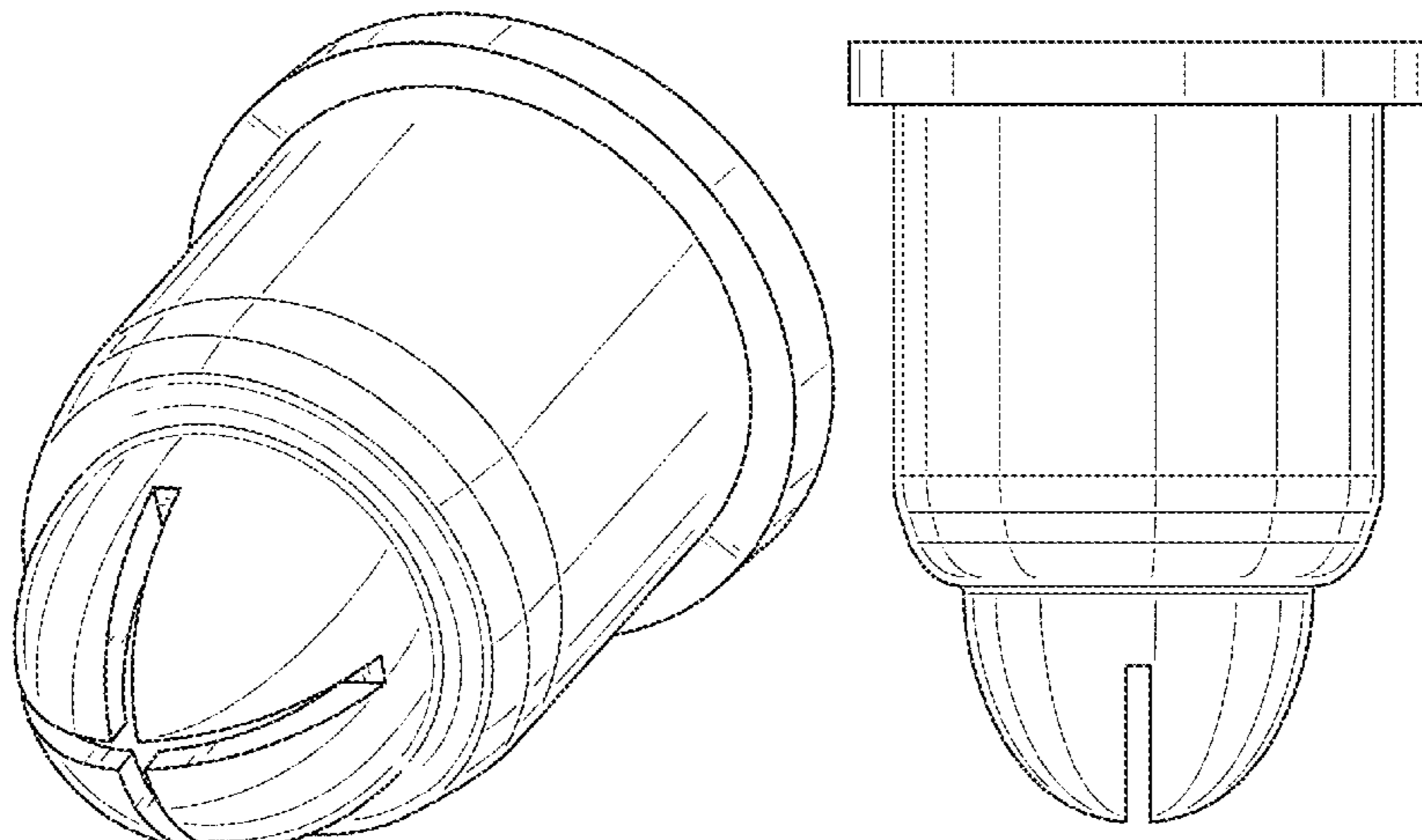


FIG. 3 is a top plan view thereof; and,  
FIG. 4 is a bottom plan view thereof.

**1 Claim, 4 Drawing Sheets**

**(58) Field of Classification Search**

CPC ..... A45D 40/262; A45D 34/00; A45D 34/04;  
A45D 34/06; A45D 34/041  
See application file for complete search history.

**(56) References Cited**

**U.S. PATENT DOCUMENTS**

2,691,960 A \* 10/1954 Leeds ..... B43L 23/08  
30/454  
2,703,898 A \* 3/1955 Kellett ..... A45D 34/046  
401/122  
3,372,424 A \* 3/1968 Kellett ..... A45D 34/046  
401/122  
3,465,905 A 9/1969 Schottanes  
3,684,387 A \* 8/1972 Glenn ..... A45D 34/046  
401/122  
D241,984 S \* 10/1976 Lahay ..... D24/112  
D261,677 S \* 11/1981 Neeley ..... D24/112  
4,433,928 A \* 2/1984 Kingsford ..... B65D 51/32  
401/5  
D369,648 S \* 5/1996 Fowler ..... D23/223  
D419,069 S \* 1/2000 Beck ..... D9/443  
6,033,142 A \* 3/2000 Gueret ..... A45D 34/046  
401/122  
6,035,865 A 3/2000 Krieger  
6,238,116 B1 \* 5/2001 Smith ..... A45D 34/046  
401/199  
D443,581 S \* 6/2001 Williams ..... D12/213  
6,241,408 B1 6/2001 Lang  
D452,894 S \* 1/2002 Benini ..... D22/116  
D460,398 S \* 7/2002 Berry ..... D12/213  
D462,268 S \* 9/2002 Schroeder ..... D9/435  
D462,740 S \* 9/2002 Schroeder ..... D23/213  
D469,847 S \* 2/2003 Schroeder ..... D23/213  
D474,689 S \* 5/2003 Dinsky ..... D9/434  
6,637,963 B2 10/2003 Huang  
6,702,494 B2 3/2004 Dumler et al.  
D497,407 S \* 10/2004 Mather ..... D23/213  
6,799,582 B2 \* 10/2004 Kim ..... A46B 7/026  
401/129  
D499,463 S \* 12/2004 Mather ..... D23/213  
7,186,045 B2 3/2007 Gueret  
D542,978 S 5/2007 Bortolotti  
7,223,034 B2 \* 5/2007 Hiyama ..... A45D 34/046  
401/121  
7,278,798 B1 \* 10/2007 Kearney ..... A45D 40/267  
401/121  
7,287,923 B1 10/2007 Chen  
D568,439 S \* 5/2008 Fulkerson ..... B05B 1/04  
D23/213  
D612,730 S \* 3/2010 Rushe ..... D9/449  
D615,818 S \* 5/2010 Jansen ..... D9/680  
D637,907 S \* 5/2011 Maxa ..... D9/454  
D650,075 S \* 12/2011 Anglay ..... D24/133  
D677,379 S \* 3/2013 Orsing ..... D24/112  
D692,143 S \* 10/2013 Shahidi Bonjar ..... D24/176  
8,550,096 B2 10/2013 Irving  
8,721,210 B2 \* 5/2014 Wilczynski ..... B29C 45/1676  
401/121

8,783,451 B2 7/2014 Slokovic  
D733,834 S \* 7/2015 Burczynski ..... D22/115  
9,095,200 B2 \* 8/2015 Heidenreiter ..... A45D 40/268  
9,107,487 B2 \* 8/2015 Gueret ..... A46B 9/021  
D741,603 S 10/2015 Mehta  
D751,254 S 3/2016 Golding  
D754,222 S \* 4/2016 Pederson ..... D15/90  
9,414,664 B2 8/2016 Irving  
D770,005 S \* 10/2016 Christiansen ..... D22/116  
9,517,482 B2 12/2016 Kim  
D805,164 S \* 12/2017 Norman ..... D24/112  
D821,536 S \* 6/2018 Christiansen ..... D22/116  
D845,427 S \* 4/2019 Frank ..... D22/116  
10,349,724 B2 7/2019 Lambdin  
D857,833 S \* 8/2019 Frank ..... D22/116  
D876,723 S \* 2/2020 Kim ..... D28/7  
D876,724 S \* 2/2020 Kim ..... D28/7  
D876,725 S \* 2/2020 Kim ..... D28/7  
D876,726 S \* 2/2020 Kim ..... D28/7  
D876,727 S \* 2/2020 Kim ..... D28/7  
D877,848 S \* 3/2020 Kedairy ..... D22/116  
D885,516 S \* 5/2020 Masinelli ..... D22/116  
D888,890 S \* 6/2020 Hamlin ..... D23/213  
D889,961 S \* 7/2020 Swart ..... D9/447  
D898,861 S \* 10/2020 Benini ..... D22/116  
D904,223 S \* 12/2020 Gagnon ..... D11/152  
D908,496 S \* 1/2021 Dommene ..... D9/453  
D912,201 S \* 3/2021 Arenson ..... D23/213  
D920,788 S \* 6/2021 Jeans ..... D9/452  
D927,975 S \* 8/2021 Hole ..... D9/452  
D940,306 S \* 1/2022 Osypka ..... D24/127  
D940,307 S \* 1/2022 Osypka ..... A61B 18/1492  
D24/127  
2006/0198689 A1 \* 9/2006 Neuner ..... A45D 40/267  
401/121  
2010/0091605 A1 \* 4/2010 Rasmussen ..... B01F 25/432  
222/566  
2012/0170963 A1 \* 7/2012 Lou ..... A45D 40/24  
401/17  
2013/0101337 A1 \* 4/2013 Kulik ..... A45D 40/267  
401/122  
2014/0166033 A1 6/2014 Declouet  
2015/0182005 A1 \* 7/2015 Pires ..... A45D 40/267  
401/122  
2017/0311699 A1 \* 11/2017 Manici ..... A45D 40/267  
2018/0168320 A1 \* 6/2018 Chung ..... A45D 34/046  
2018/0283587 A1 \* 10/2018 Garden ..... F16L 25/14  
2019/0059553 A1 \* 2/2019 Tarling ..... A45D 34/046  
2019/0150589 A1 5/2019 Jones

**FOREIGN PATENT DOCUMENTS**

CN 206318209 U 7/2017  
CN 207791461 U 8/2018  
EP 0959017 A2 11/1999  
KR 20080003474 A 1/2008  
WO 2004092031 A1 10/2004

**OTHER PUBLICATIONS**

Kasmoire Piping Set: Announced Oct. 8, 2020 [online]. Site Visited [Mar. 22, 2022]. available from Interent URL: [https://www.amazon.com/Kasmoire-Stainless-Decorating-Professional-Frosting/dp/B08KW4SJ9H/ref=sxin\\_14\\_pa\\_sp\\_search\\_thematic\\_sspa?crd=1%E2%80%A6](https://www.amazon.com/Kasmoire-Stainless-Decorating-Professional-Frosting/dp/B08KW4SJ9H/ref=sxin_14_pa_sp_search_thematic_sspa?crd=1%E2%80%A6).

\* cited by examiner

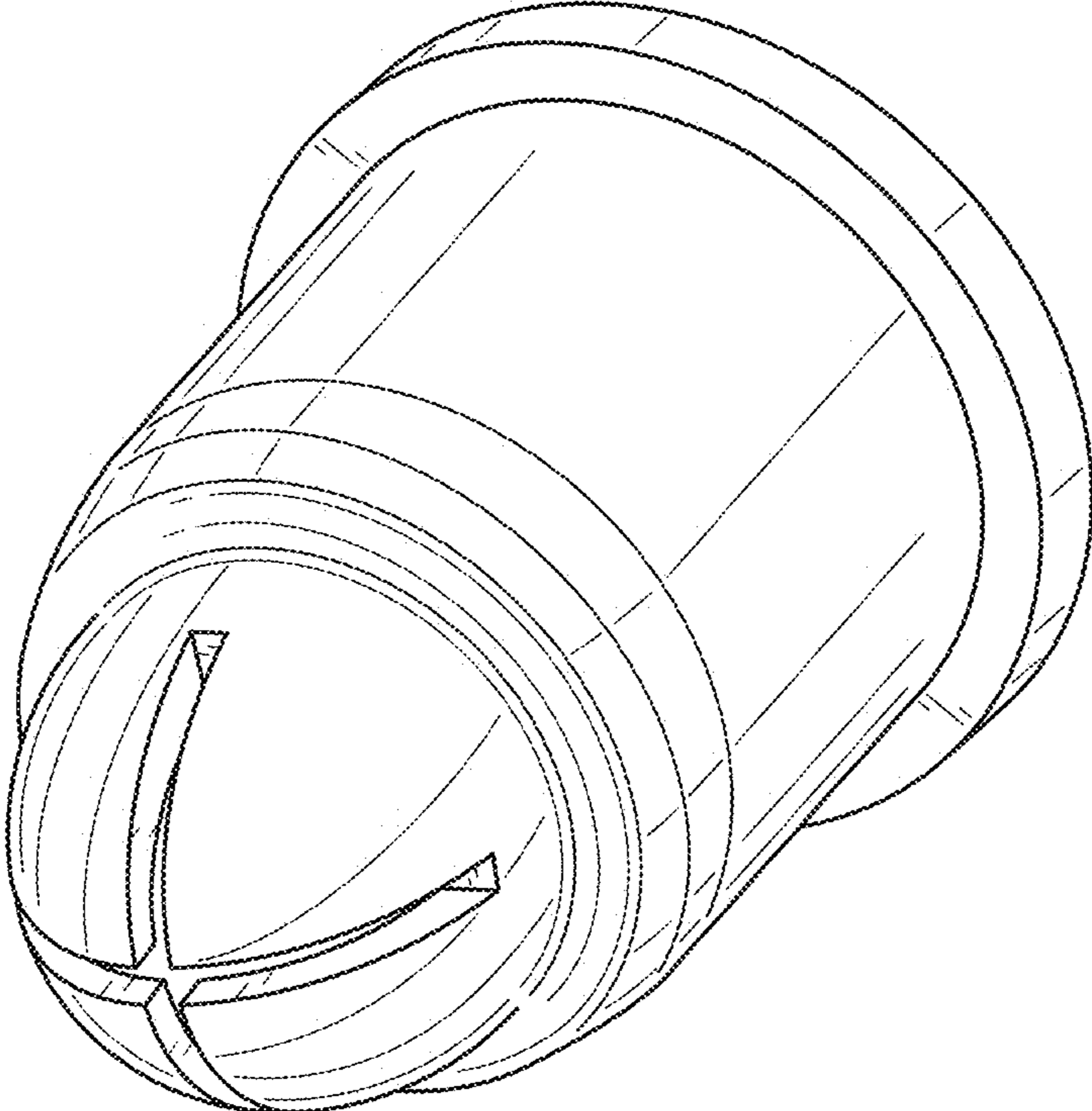


FIG. 1

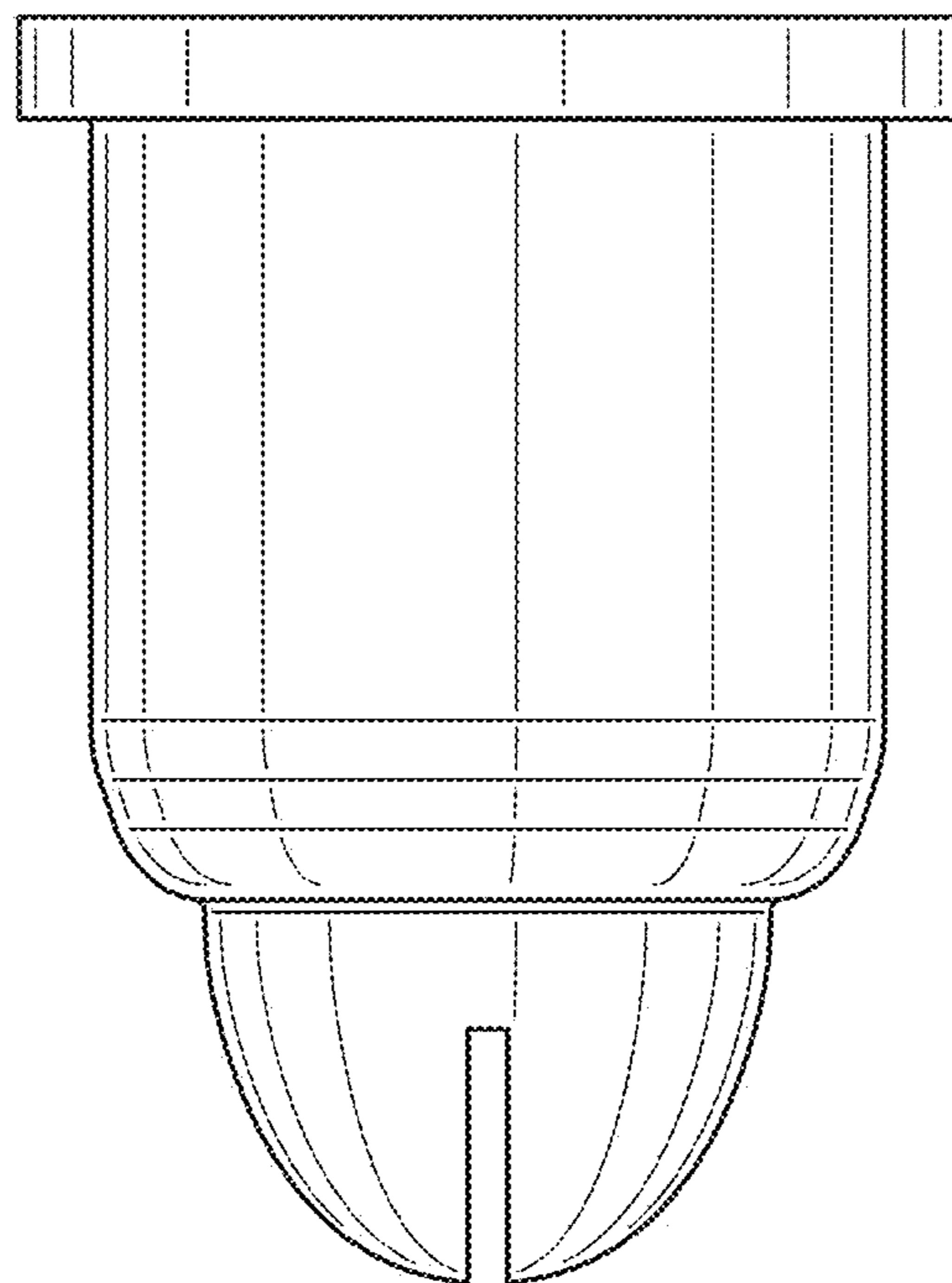


FIG. 2

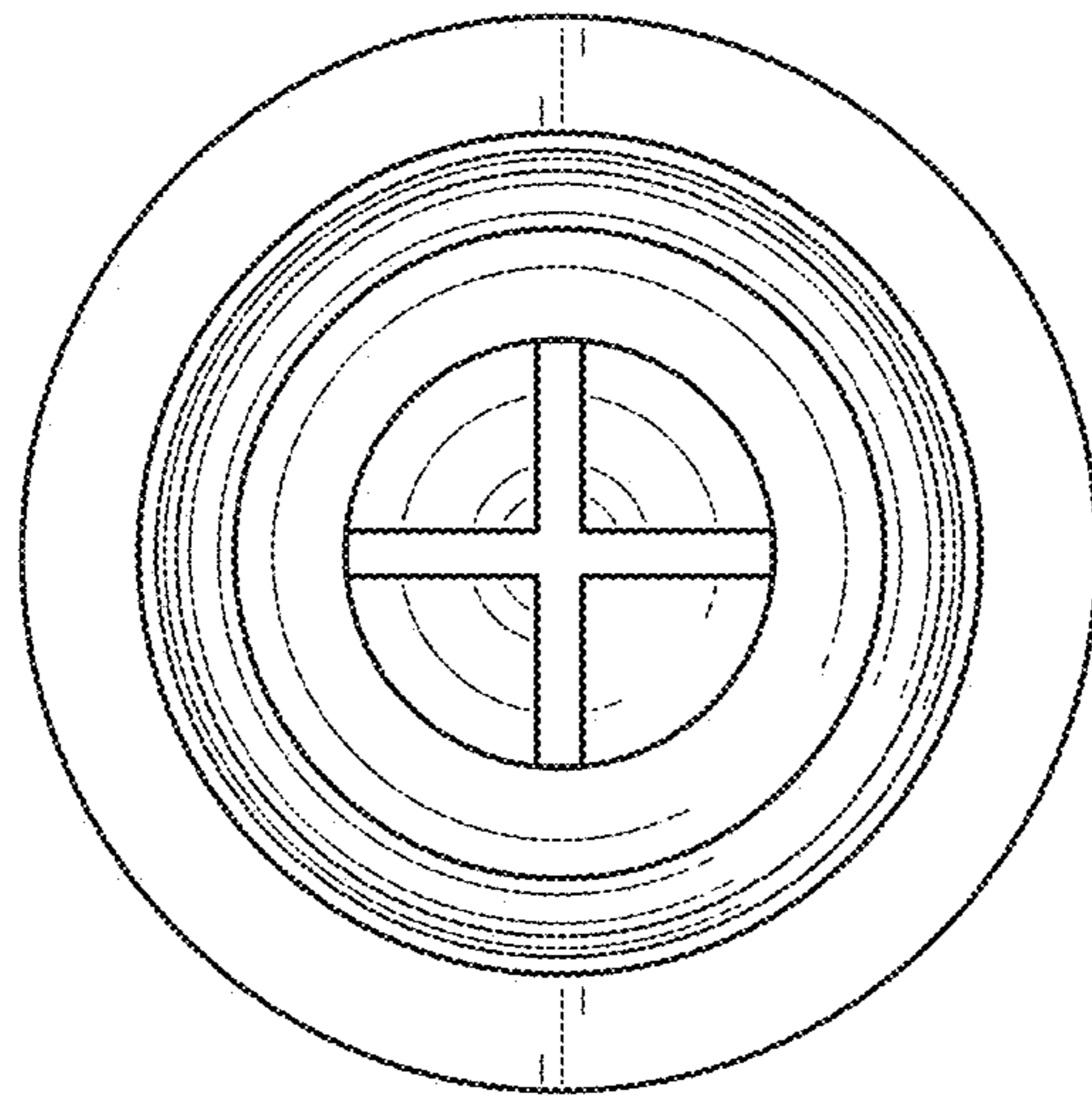


FIG. 3

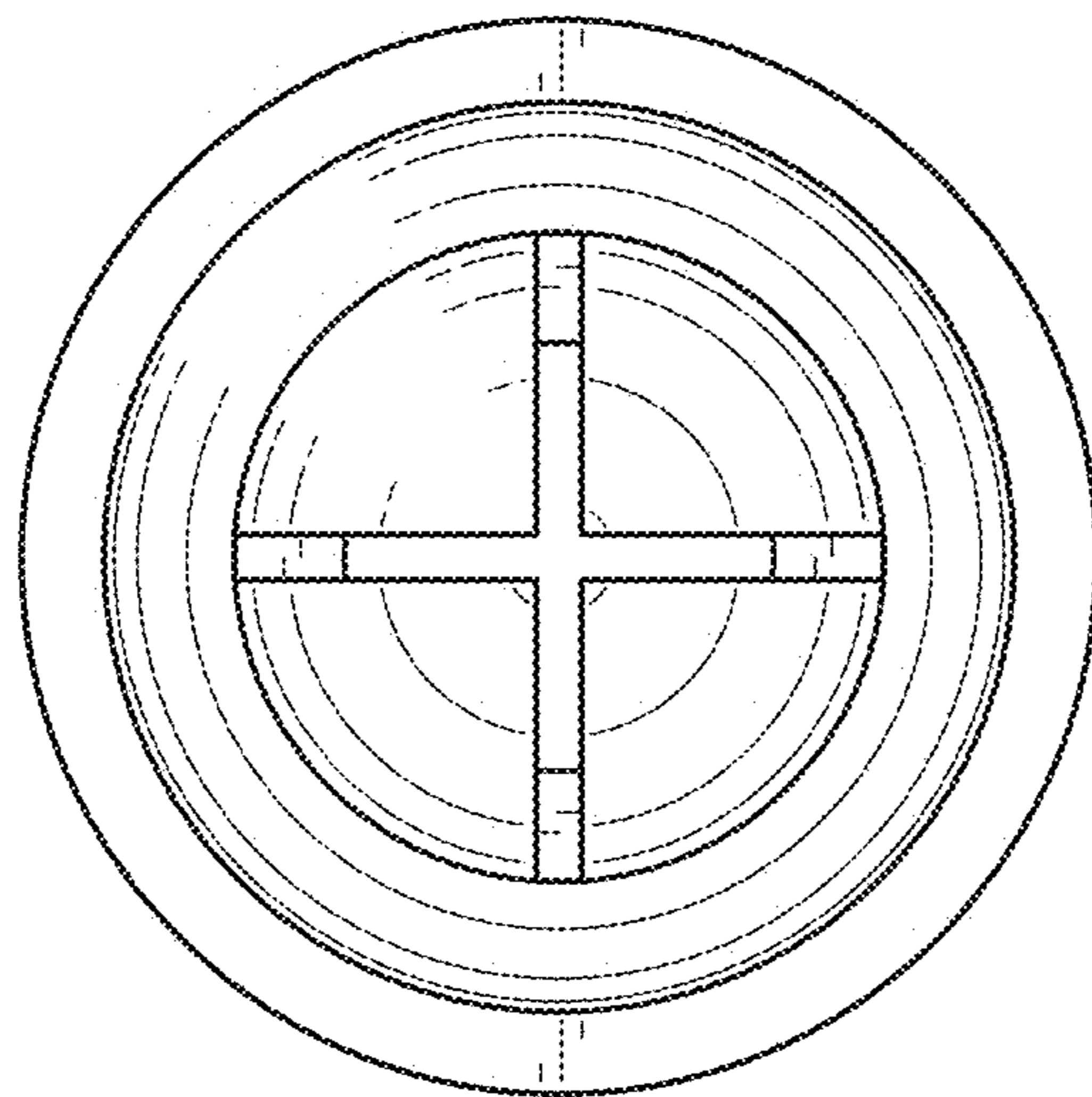


FIG. 4