



US00D955218S

(12) **United States Design Patent** (10) **Patent No.:** **US D955,218 S**  
**Smith et al.** (45) **Date of Patent:** **\*\* Jun. 21, 2022**

(54) **BOTTLE STOPPER**  
(71) Applicant: **Cinco Spirits Group, LLC**, New York, NY (US)  
(72) Inventors: **Mark Smith**, Portland, OR (US);  
**Michael Jordan**, Jupiter, FL (US)  
(73) Assignee: **CINCO SPIRITS GROUP, LLC**, New York, NY (US)

D677,525 S \* 3/2013 Luebke ..... D7/398  
D681,469 S 5/2013 Mishan et al.  
D684,863 S 6/2013 Snyder  
D699,117 S 2/2014 Snyder  
D708,011 S \* 7/2014 Liberatore ..... D7/398  
8,783,486 B1 \* 7/2014 Hoyt ..... B65D 81/2038  
215/364  
D713,199 S \* 9/2014 Hannan ..... D7/395  
D780,574 S \* 3/2017 Seeuwen ..... D9/439  
D797,500 S \* 9/2017 Connors ..... D7/398  
(Continued)

(\*\*) Term: **15 Years**

**OTHER PUBLICATIONS**

(21) Appl. No.: **29/743,223**

Cinco Spirits Group LLC Cincoro Tequila: Announced Apr. 10, 2021 (online]. Site Visited (Oct. 28, 2021). Available from Internet URL: [https://web.archive.org/web/20210410224749/https://forcebrands.com/jobs/cinco-spirits-group-llc-61.\*

(22) Filed: **Jul. 20, 2020**

(51) **LOC (13) Cl.** ..... **09-07**

(52) **U.S. Cl.**  
USPC ..... **D9/439**

(58) **Field of Classification Search**  
USPC ..... D3/12, 16, 17; D7/393, 394, 396, 397, D7/398, 387, 391, 392.1, 396.1, 396.2, D7/401.1, 402, 507, 511, 538, 388; D9/434, 435, 436, 438, 439, 440, 445, D9/446, 447, 454; D23/209, 233, 238, D23/259, 260, 261; D26/22, 23; D34/7, D34/10, 11; D28/91.1, 93  
CPC ... B01L 3/50825; B01L 9/00; B65D 81/2038; B65D 81/20; A61J 1/1418; A61J 1/14; A61J 1/1406; A61J 1/1412; A61M 1/0001; A61M 1/0003; A61M 1/0011; B65B 31/00; B65B 55/10; B67C 11/02  
See application file for complete search history.

(Continued)

*Primary Examiner* — Catherine S Posthauer  
(74) *Attorney, Agent, or Firm* — Brian J. Colandreo; Jeffrey T. Placker; Holland & Knight LLP

(57) **CLAIM**

The ornamental design for a bottle stopper, as shown and described.

**DESCRIPTION**

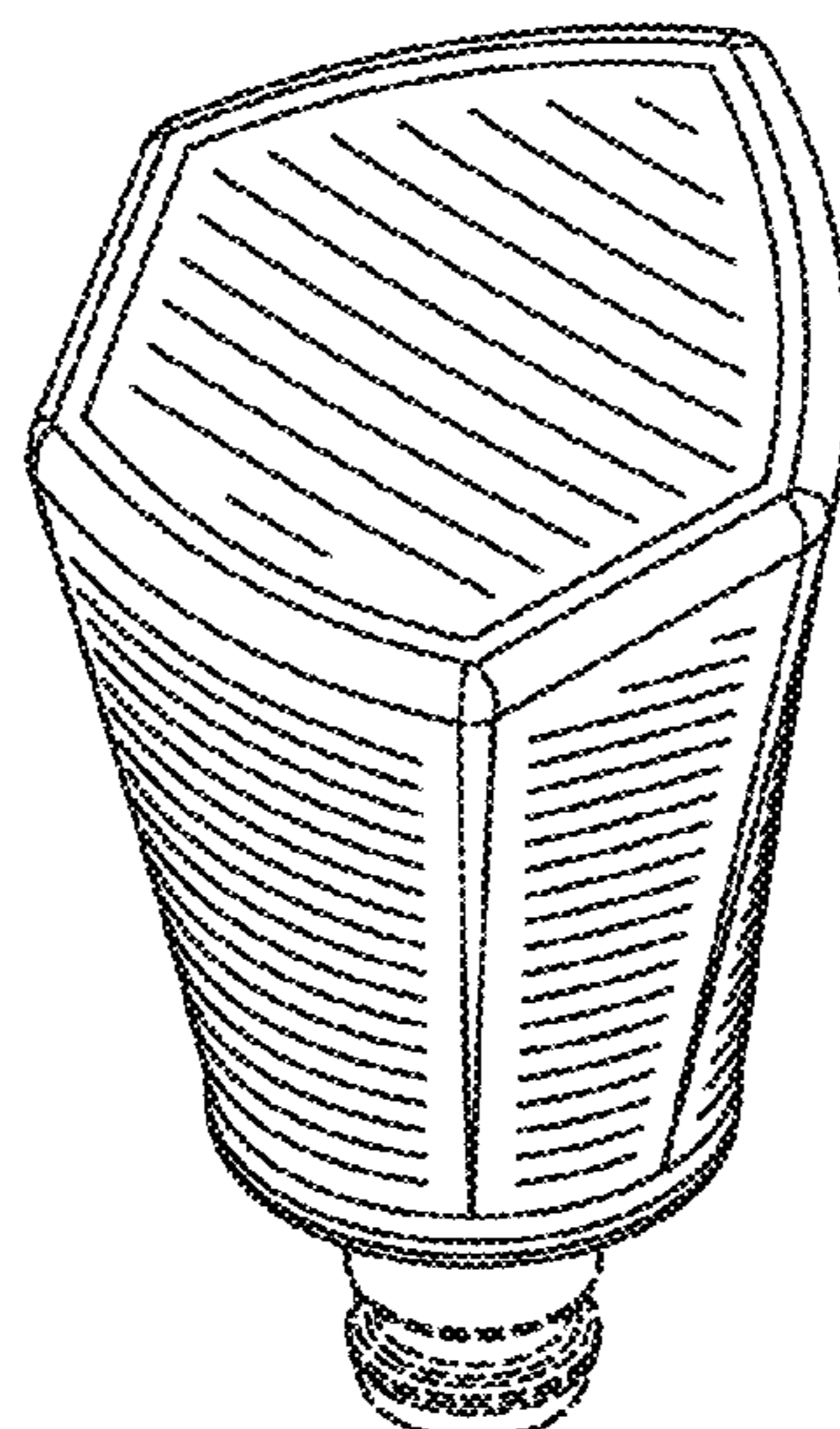
FIG. 1 is a perspective view of a bottle stopper; FIG. 2 is a second perspective view thereof; FIG. 3 is a third perspective view thereof; FIG. 4 is a rear elevation view thereof; FIG. 5 is a right elevation view thereof; FIG. 6 is a front elevation view thereof; FIG. 7 is a left elevation view thereof; FIG. 8 is top plan view thereof; and, FIG. 9 is a bottom plan view thereof. The broken lines are shown for the purpose of illustrating parts of the article that form no part of the claimed design.

(56) **References Cited**

**U.S. PATENT DOCUMENTS**

D177,774 S \* 5/1956 Stroup ..... D9/439  
D318,232 S \* 7/1991 Mansau ..... D9/439  
D429,633 S 8/2000 Godio  
D612,736 S 3/2010 Pecora  
D633,753 S \* 3/2011 White ..... D7/398  
D673,856 S 1/2013 Snyder

**1 Claim, 5 Drawing Sheets**



(56)

**References Cited**

U.S. PATENT DOCUMENTS

D818,367 S 5/2018 Pontes et al.  
D820,093 S 6/2018 Pontes et al.  
D827,365 S \* 9/2018 Gardner ..... D7/398  
D861,490 S 10/2019 Harter  
D867,132 S \* 11/2019 Callaars ..... D9/439  
D885,040 S \* 5/2020 Pashandi ..... D3/12

OTHER PUBLICATIONS

Tequila Brand Cincoro: Announced Sep. 16, 2019 [online]. Site Visited [Feb. 22, 2022], Available from Internet URL: <https://www.forbes.com/sites/chloesorvino/2019/09/16/the-inside-story-of-how-michael-jordan-and-four-nba-owners-launched-the-super-premium-tequila-brand-cincoro/?sh=5cc1c3773aa1>.\*

Non-Final Office Action issued in U.S. Appl. No. 29/743,215 dated Aug. 4, 2021.

Non-Final Office Action issued in U.S. Appl. No. 29/743,222 dated Aug. 4, 2021.

Examination Report No. 1 issued in counterpart Australian Design Application Serial No. 202110164 dated May 25, 2021.

Examination Report No. 1 issued in counterpart Australian Design Application Serial No. 303220143 dated May 25, 2021.

Office Action issued in counterpart Brazilian Design Application Serial No. 3020210002094 dated Jun. 28, 2021.

Notice of Allowance issued in U.S. Appl. No. 29/743,222 dated Jan. 12, 2022.

Notice of Allowance issued in U.S. Appl. No. 29/743,215 dated Jan. 12, 2022.

\* cited by examiner

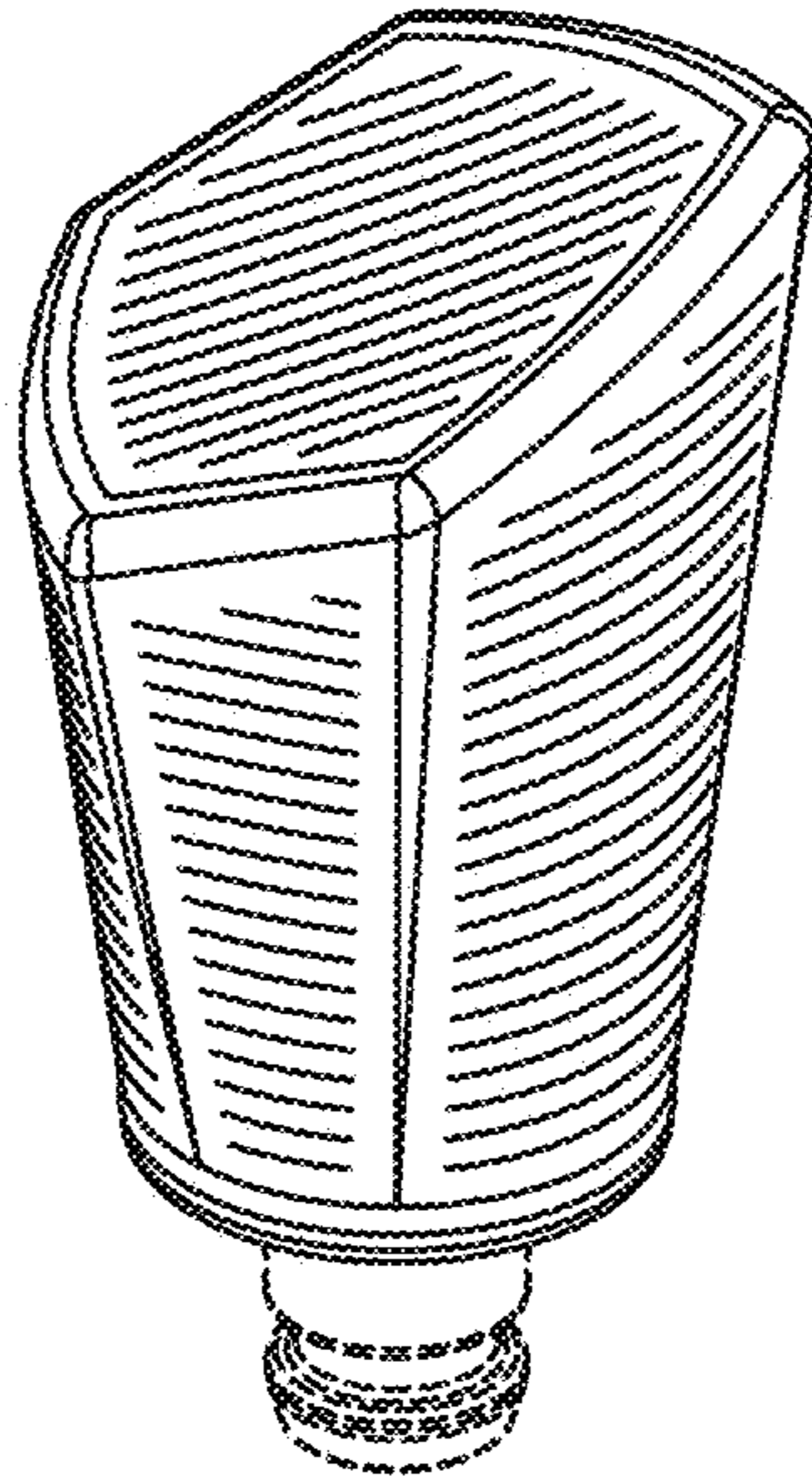


FIG. 1

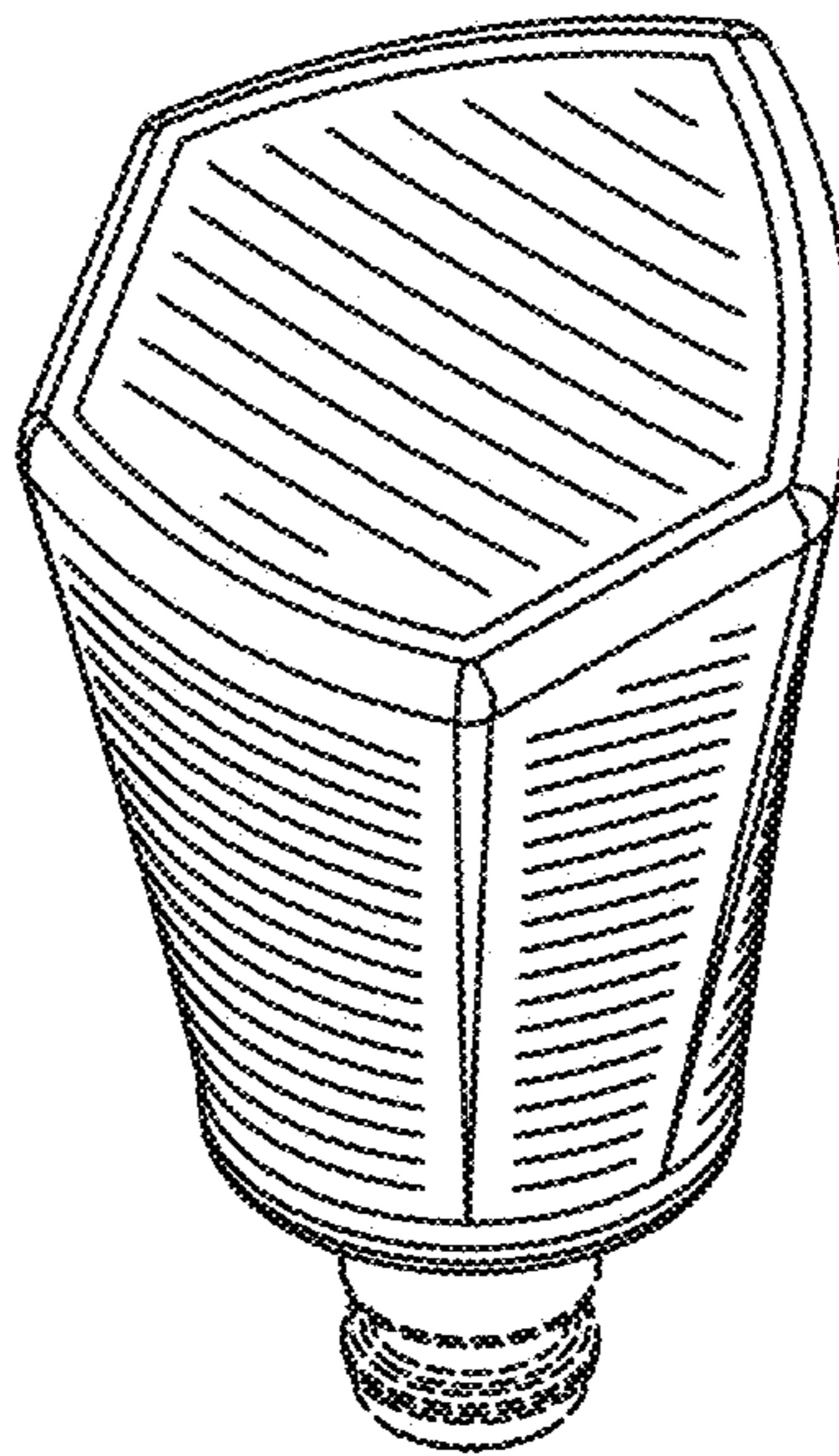


FIG. 2

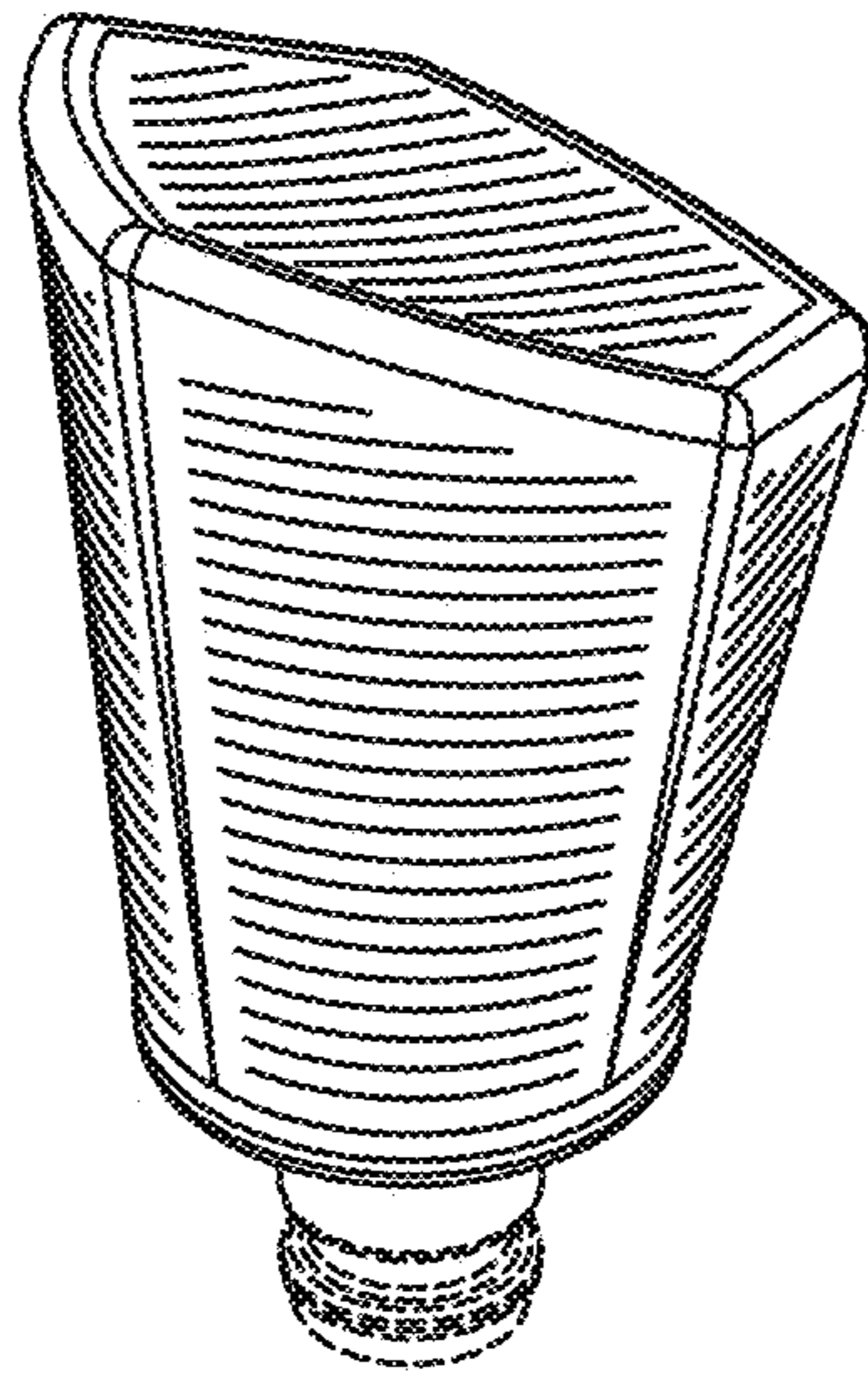


FIG. 3

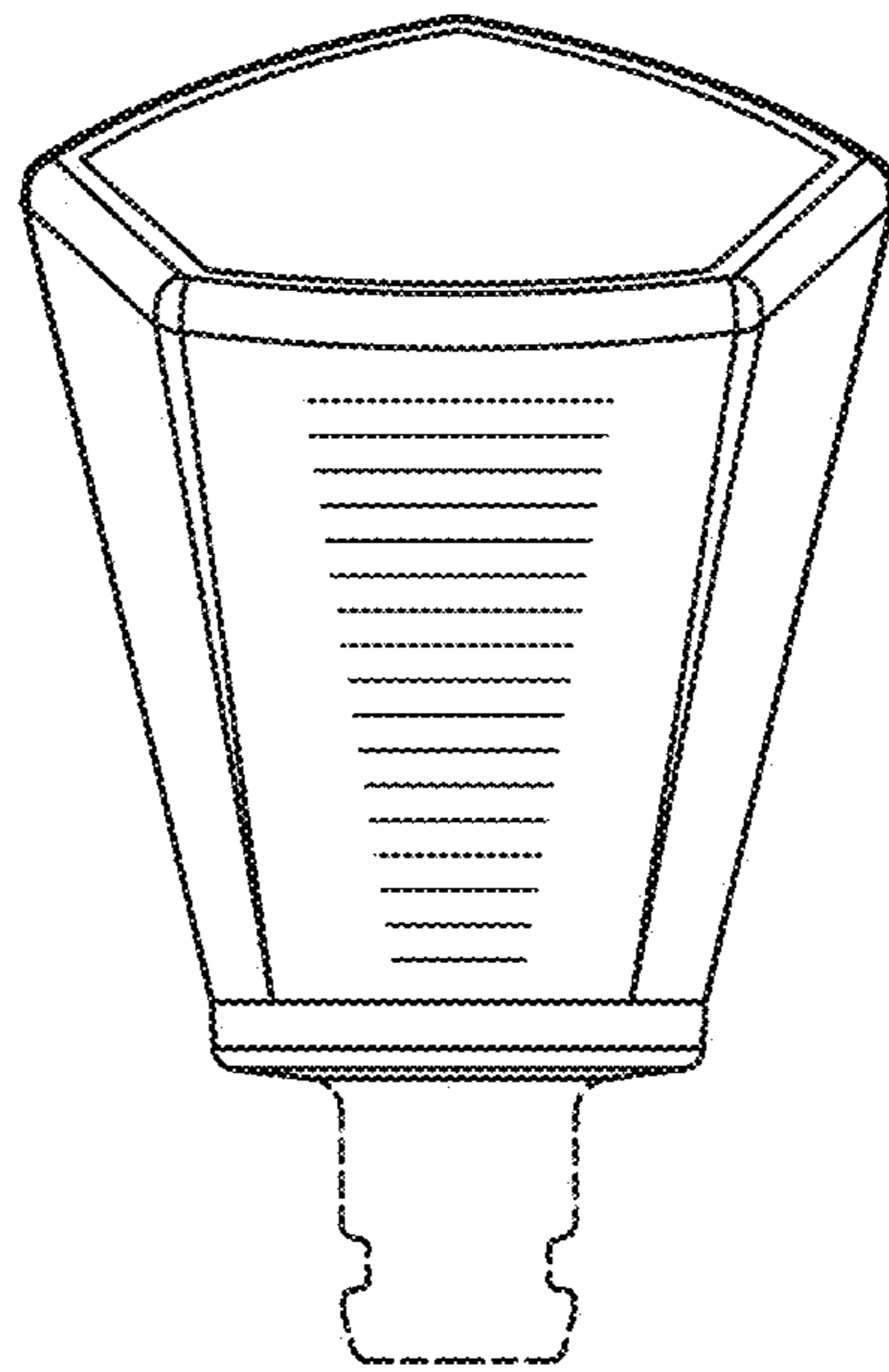


FIG. 4



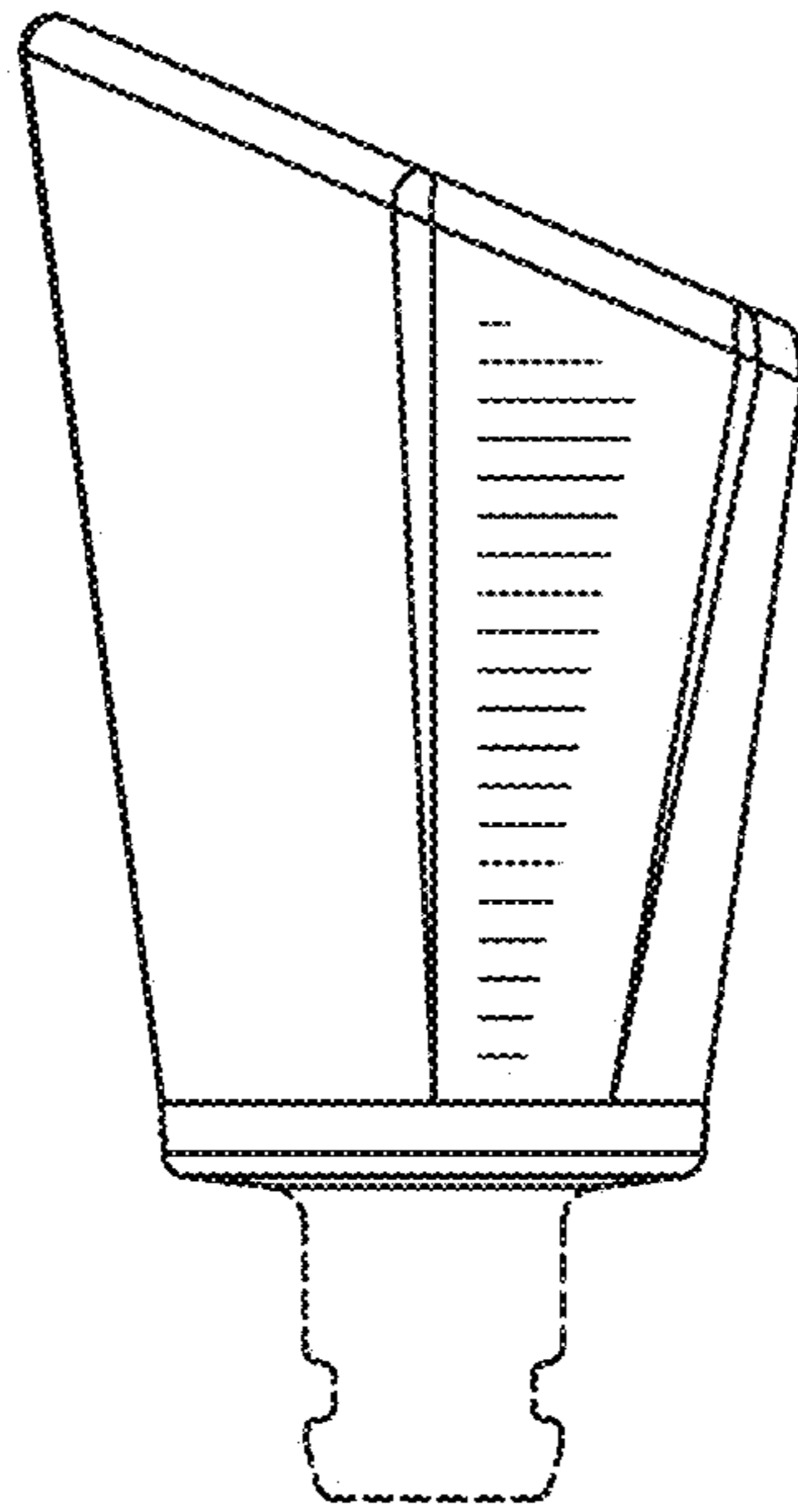


FIG. 5

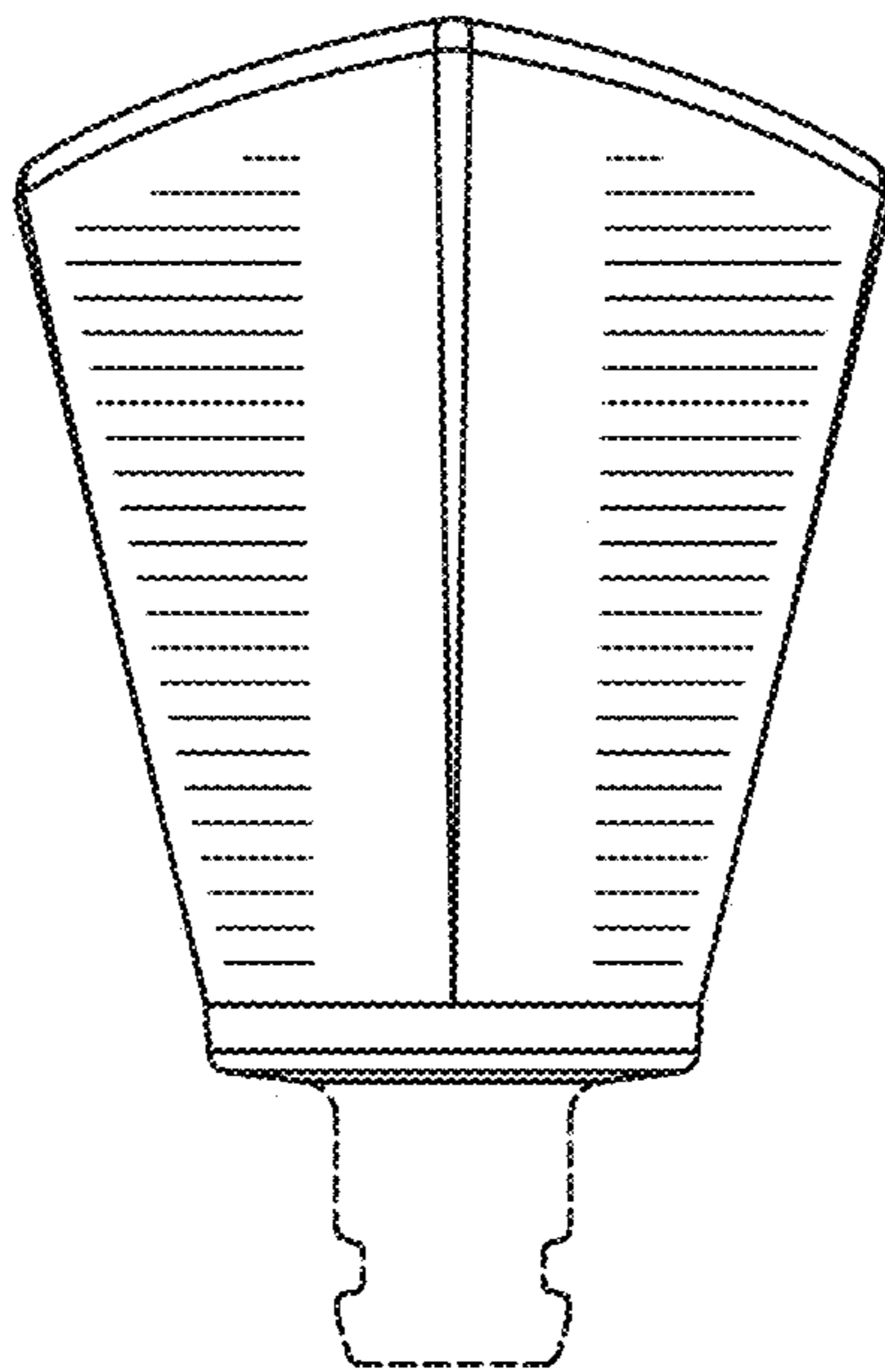


FIG. 6

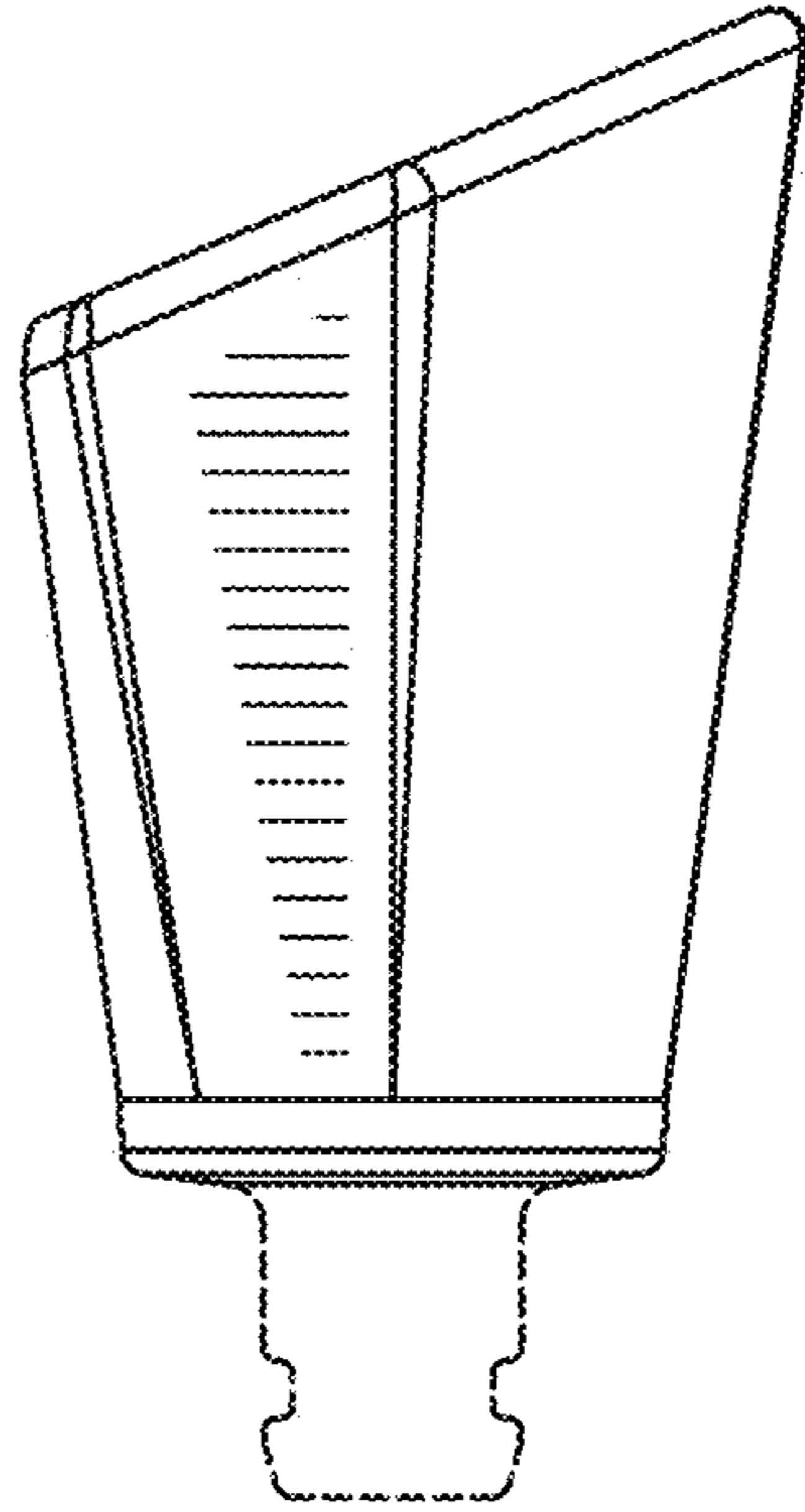


FIG. 7

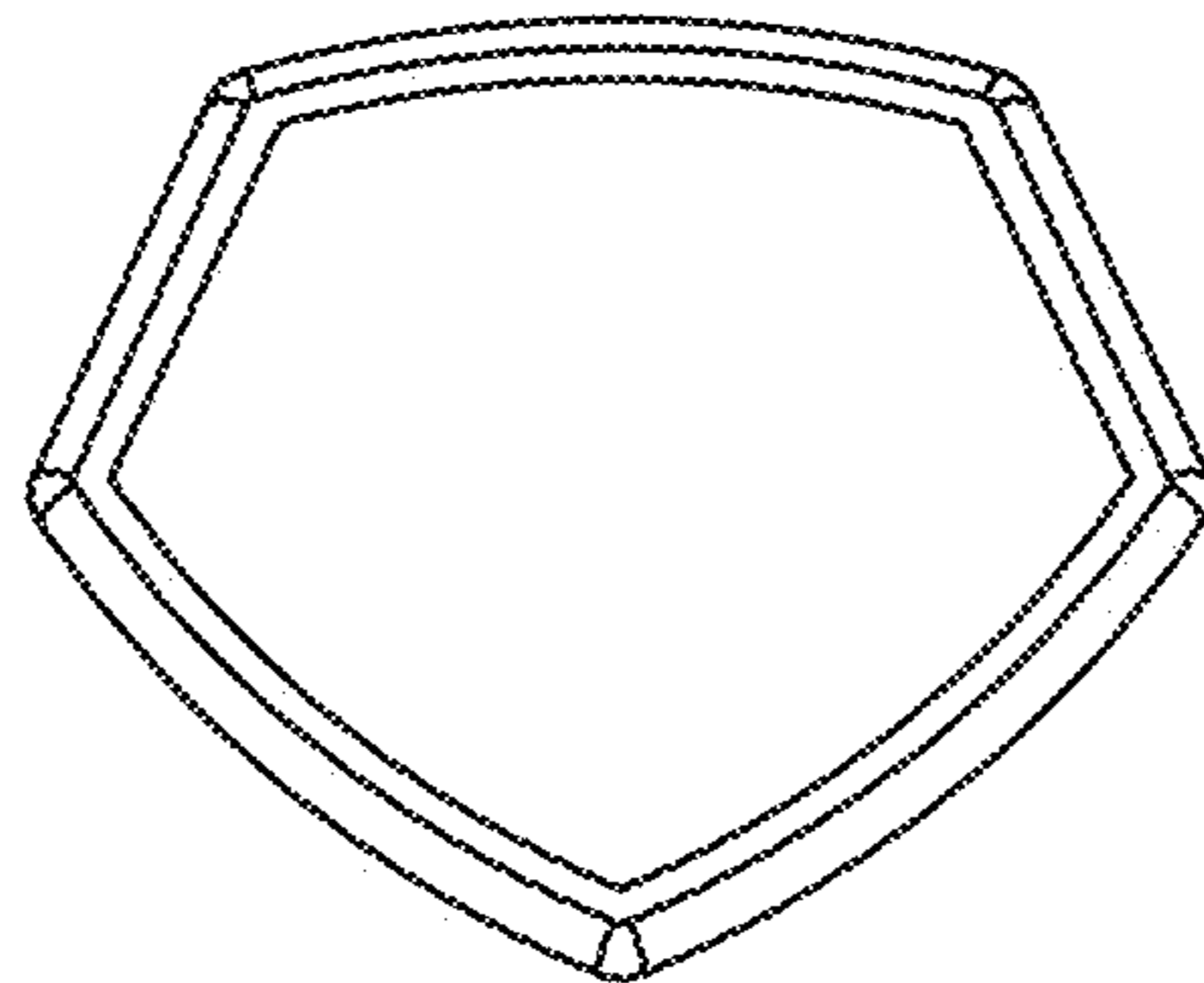


FIG. 8

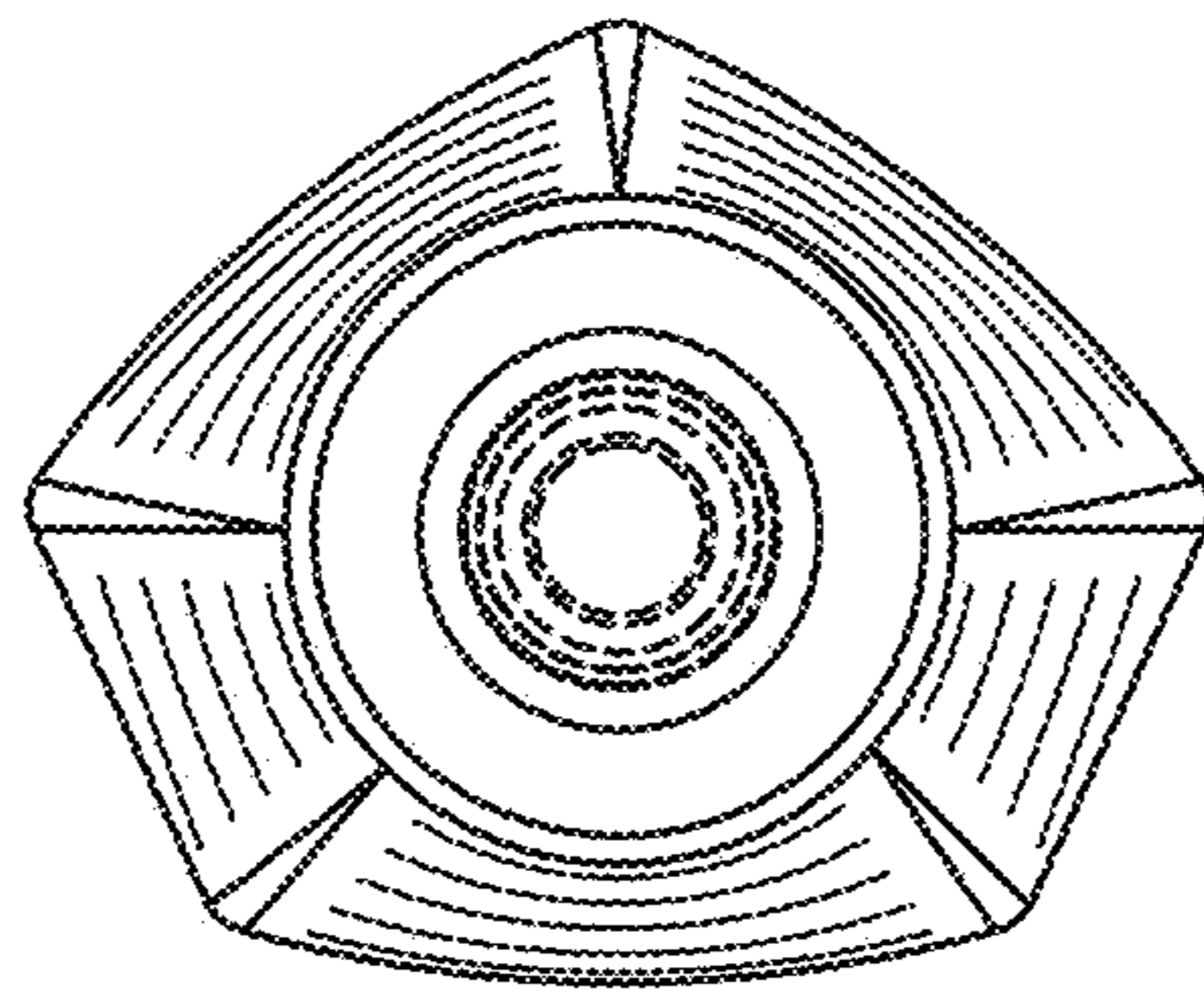


FIG. 9