



US00D955217S

(12) **United States Design Patent** (10) **Patent No.:** **US D955,217 S**
Choi (45) **Date of Patent:** **** Jun. 21, 2022**

(54) **CUP LID**

(71) Applicant: **COART Inc.**, Busan (KR)
(72) Inventor: **So Hyung Choi**, Busan (KR)
(73) Assignee: **COART Inc.**, Busan (KR)
(**) Term: **15 Years**

(21) Appl. No.: **29/710,510**

(22) Filed: **Oct. 24, 2019**

(30) **Foreign Application Priority Data**

Oct. 4, 2019 (KR) 30-2019-0047618

(51) **LOC (13) Cl.** **09-07**

(52) **U.S. Cl.**
USPC **D9/436; D9/454; D7/392.1**

(58) **Field of Classification Search**

USPC D3/202; D7/509, 510, 511, 387, 391,
D7/392, 392.1, 393, 396, 396.1, 396.2,
D7/397, 398, 400, 414; D9/434, 435,
D9/436, 443, 445, 452, 453, 454, 455,
D9/499, 686, 690; D8/330, 331, 336,
D8/337, 339, 342, 343, 382; D23/259,
D23/260, 261, 265; D24/121, 162, 199,
D24/224; D28/18; D10/128; D11/200;
D13/168, 171; D26/28, 123, 124
CPC B65D 41/02; B65D 41/10; B65D 41/62;
B65D 41/46; B65D 41/465; B65D
2251/009; B65D 2251/0015; B65D 51/20;
B65D 17/02; B65D 2401/20; B65D
2251/0071; B65D 2251/20; B65D 1/00;
B65D 1/02; B65D 1/01; B65D 1/10;
B65D 1/46; B65D 2585/56; B65D
2585/545; B65D 50/06; A63B 39/025;
A63B 2102/02; E05B 55/00; Y10T
292/1047; Y10T 292/1089; Y10T
292/865; Y10T 292/097;

(Continued)

(56) **References Cited**

U.S. PATENT DOCUMENTS

D292,276 S * 10/1987 Cho D9/453
D468,153 S * 1/2003 Seager D7/392.1

(Continued)

OTHER PUBLICATIONS

Cuchina Safe Vented Glass Lid: Announced Oct. 25, 2017 [online].
Site Visite [Mar. 18, 2022]. Available from Internet URL: https://www.amazon.com/Cuchina-Safe-Vented-Microwave-Perfect/dp/B076TDZW36/ref=sr_1_17?crid=2XDJ4J1FY3AEG&keywords=Vented%2BCup%2BLid&qid=1647620694&srefix=vented%2Bcup%2Blid%2Caps%2C102&sr=8-17&th=1.*

(Continued)

Primary Examiner — Catherine S Posthauer

(74) *Attorney, Agent, or Firm* — Bayramoglu Law Offices LLC

(57) **CLAIM**

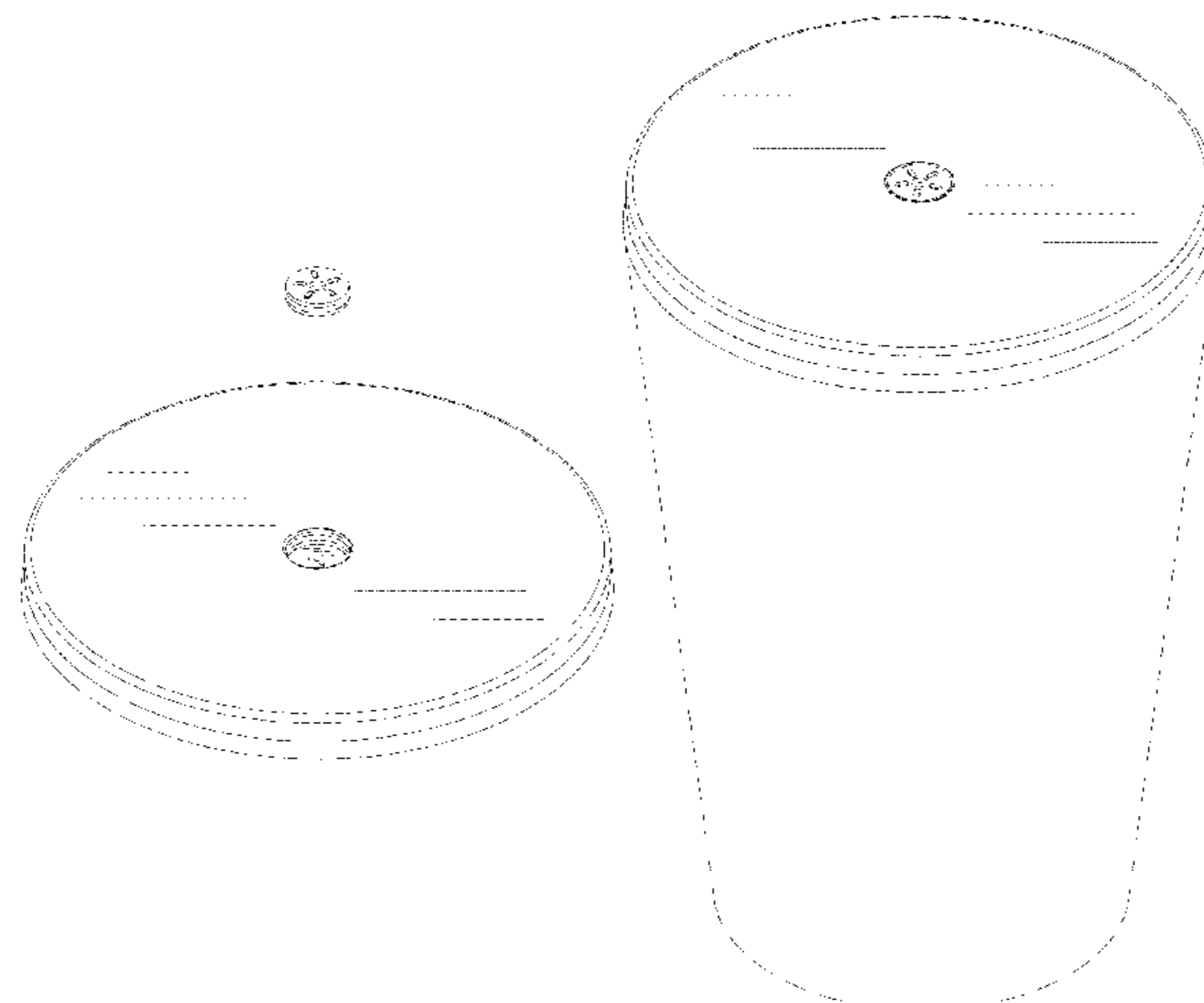
The ornamental design for a cup lid, as shown and described.

DESCRIPTION

FIG. 1 is a perspective view of a cup lid showing my new design;
FIG. 2 is a front elevational view thereof;
FIG. 3 is a rear elevational view thereof;
FIG. 4 is a left side elevational view thereof;
FIG. 5 is a right side elevational view thereof;
FIG. 6 is a top plan view thereof;
FIG. 7 is a bottom plan view thereof;
FIG. 8 is an exploded perspective view thereof;
FIG. 9 is a perspective view thereof in a use state; and,
FIG. 10 is a partial enlarged view of the area "10" in FIG. 1.

The evenly broken lines are shown for the purpose of illustrating both parts of the article as well as exemplary environmental subject matter of a cup. None of the broken lines form part of the claimed design.

(Continued)



The dot-dash broken lines indicating an enlargement portion of the design form no part of the claimed design.

1 Claim, 7 Drawing Sheets

(58) **Field of Classification Search**

CPC Y10T 292/0938; Y10T 292/0834; Y10T 292/1014; Y10T 292/0959; A61J 1/00; A61J 1/1412

See application file for complete search history.

(56)

References Cited

U.S. PATENT DOCUMENTS

D599,204	S *	9/2009	Georgiadis	D9/454
D608,626	S *	1/2010	Camisasca	D8/382
D621,254	S *	8/2010	Camisasca	D8/382
D642,921	S *	8/2011	Endert	D9/454
8,051,690	B2 *	11/2011	Camisasca	F16B 41/00 70/229
D697,366	S *	1/2014	Kristinik	D9/453
D752,915	S *	4/2016	Castriota	D7/354
D753,269	S *	4/2016	Yamagishi	D23/259
D759,527	S *	6/2016	Fazio	D10/128
D793,572	S *	8/2017	Kozuka	D24/224

D867,058	S *	11/2019	Spivey	D7/392.1
D868,995	S *	12/2019	Tanaka	D24/225
2013/0341325	A1 *	12/2013	Bruna	B65D 51/1605 83/13
2021/0101723	A1 *	4/2021	Choi	B65D 51/1644

OTHER PUBLICATIONS

Vacuum Seal Food Storage Container Set: Announced Aug. 17, 2015 [online]. Site Visited [Mar. 18, 2022], Available from Internet URL: <https://www.amazon.com/dp/B00IH16USU/?tag=kitchenbar999-20&th=1>.*

Coffee Gator Canister: Announced Aug. 26, 2015 [online]. Site Visited [Mar. 18, 2022], Available from Internet URL: https://www.amazon.com/gp/product/B014HG645M/ref=as_li_qf_asin_il_tl?ie=UTF8&tag=darkestroast-20&creative=9325&linkCode=as2&creativeASIN=B014HG645M&linkId=dfc3362b5b9f0aa97273831748d9f3f0&th=1.*

Magicafe Airtight Coffee Bean Storage with CO2 valve: Announced Oct. 16, 2018[online]. Site Visited [Mar. 18, 2022]. Available from Internet URL: <https://www.amazon.com/Magical%C3%A9-Airtight-Coffee-Bean-Storage/dp/B07JFVX6CQ>.*

9 Best Coffee Canisters for 2022: Announced Sep. 16, 2021 [online]. Site Visited [Mar. 18, 2022]. Available from Internet URL: <https://thedarkestroast.com/coffee-canisters/>.*

* cited by examiner

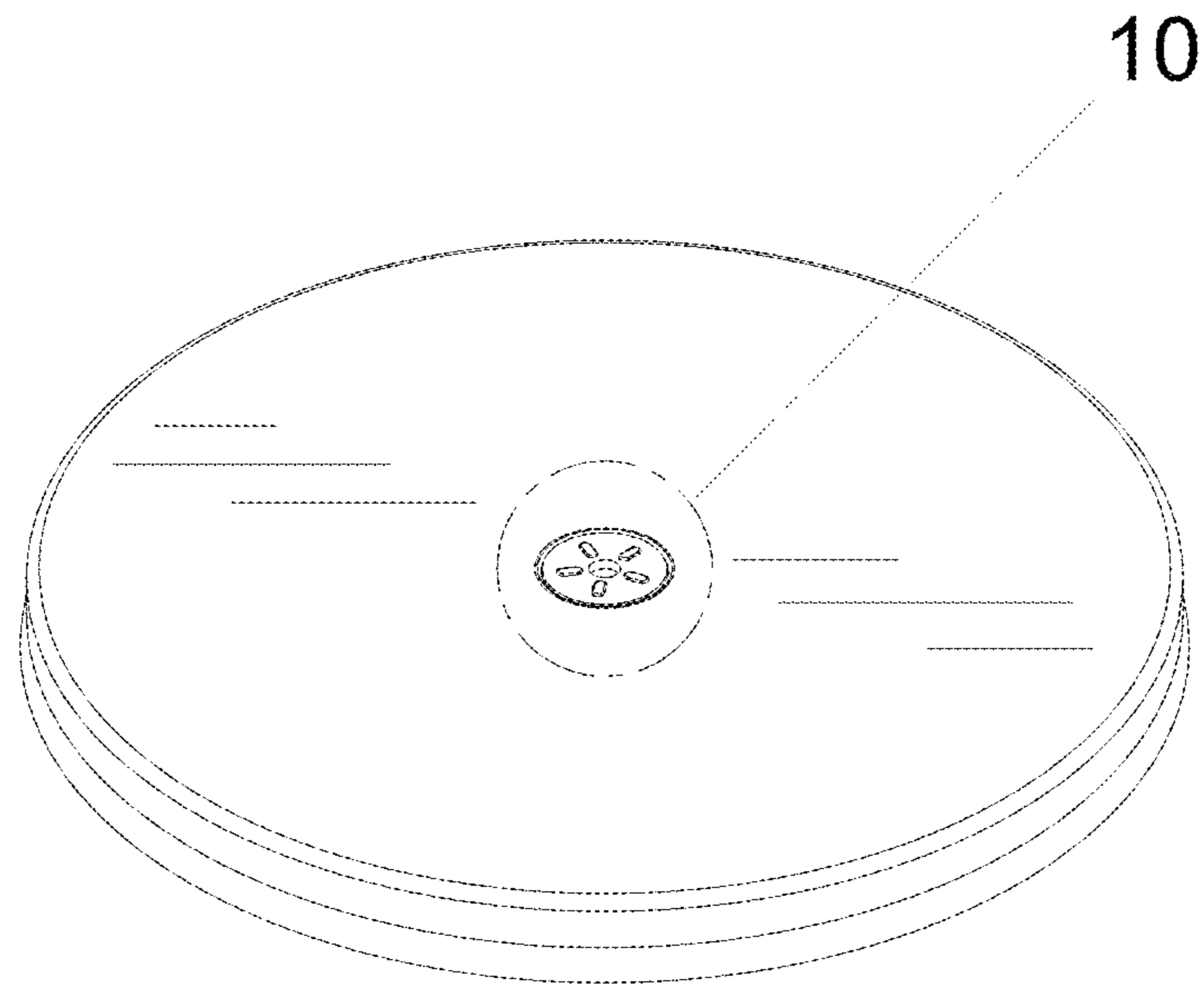


FIG. 1

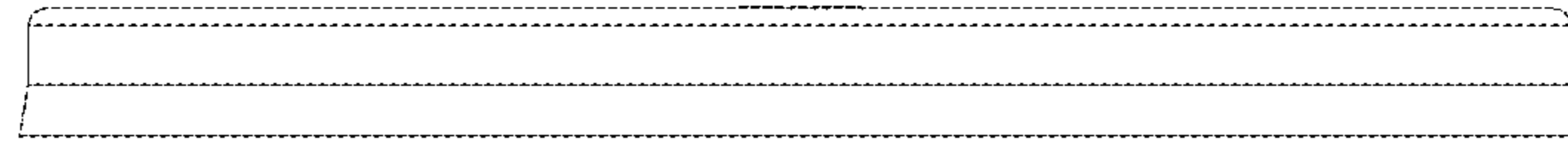


FIG. 2

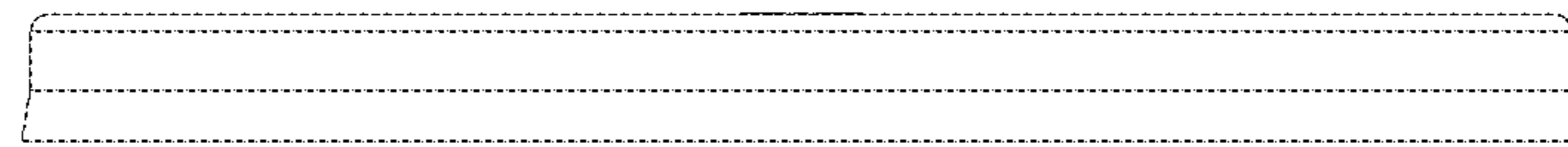


FIG. 3

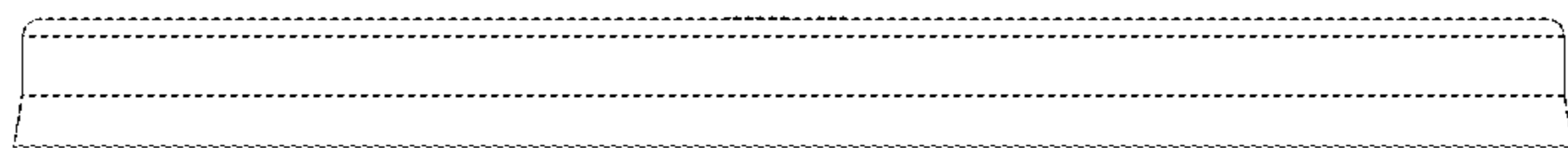


FIG. 4

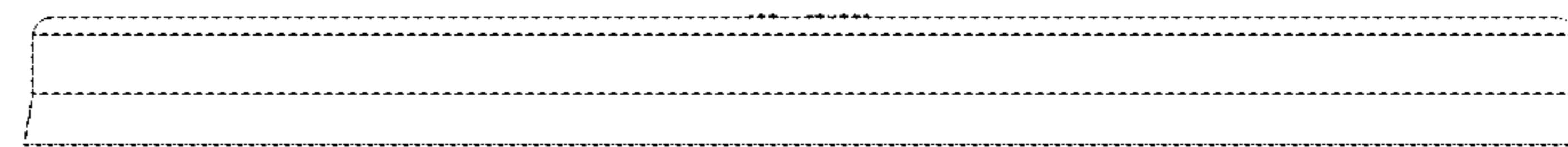


FIG. 5

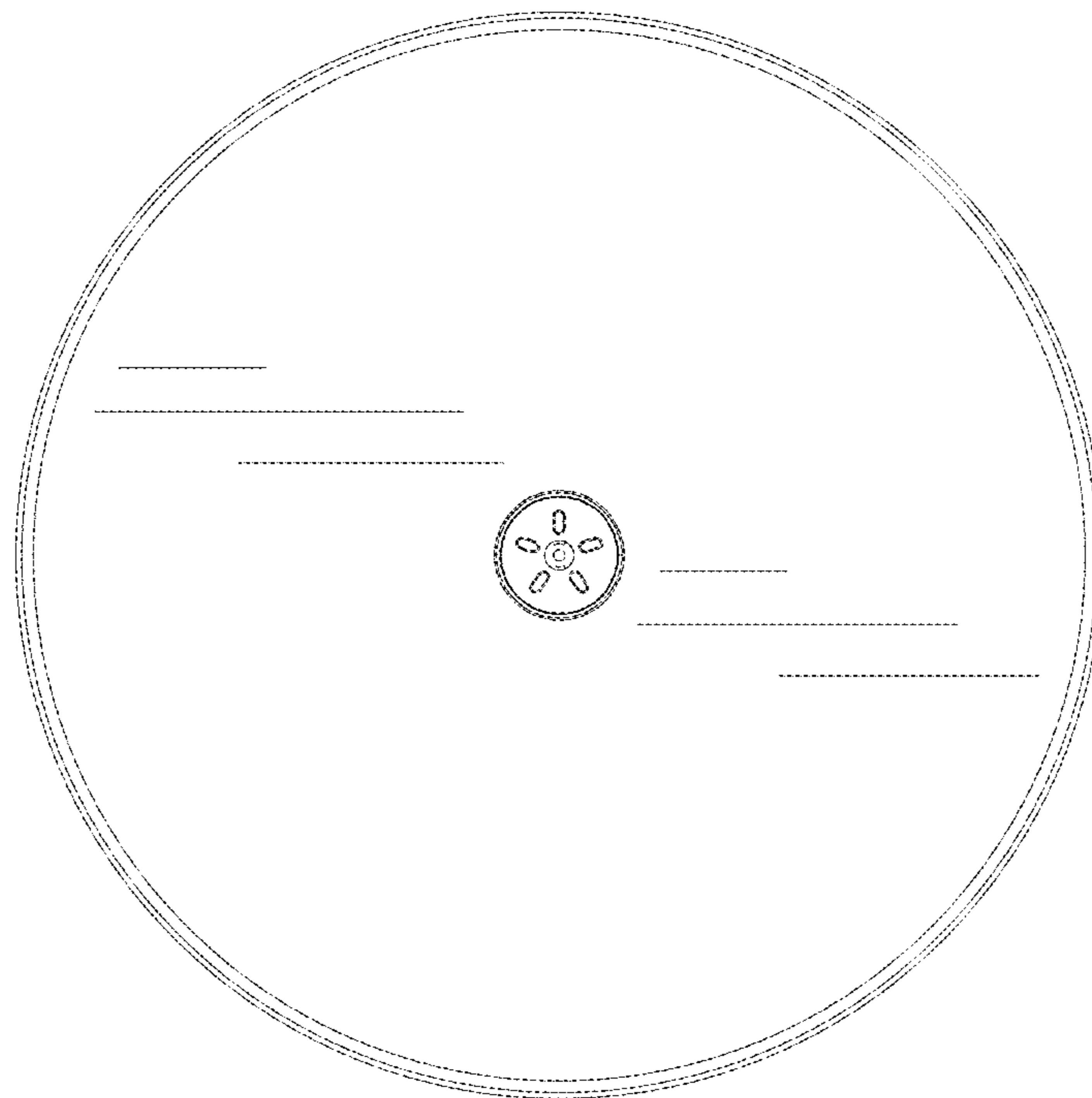


FIG. 6

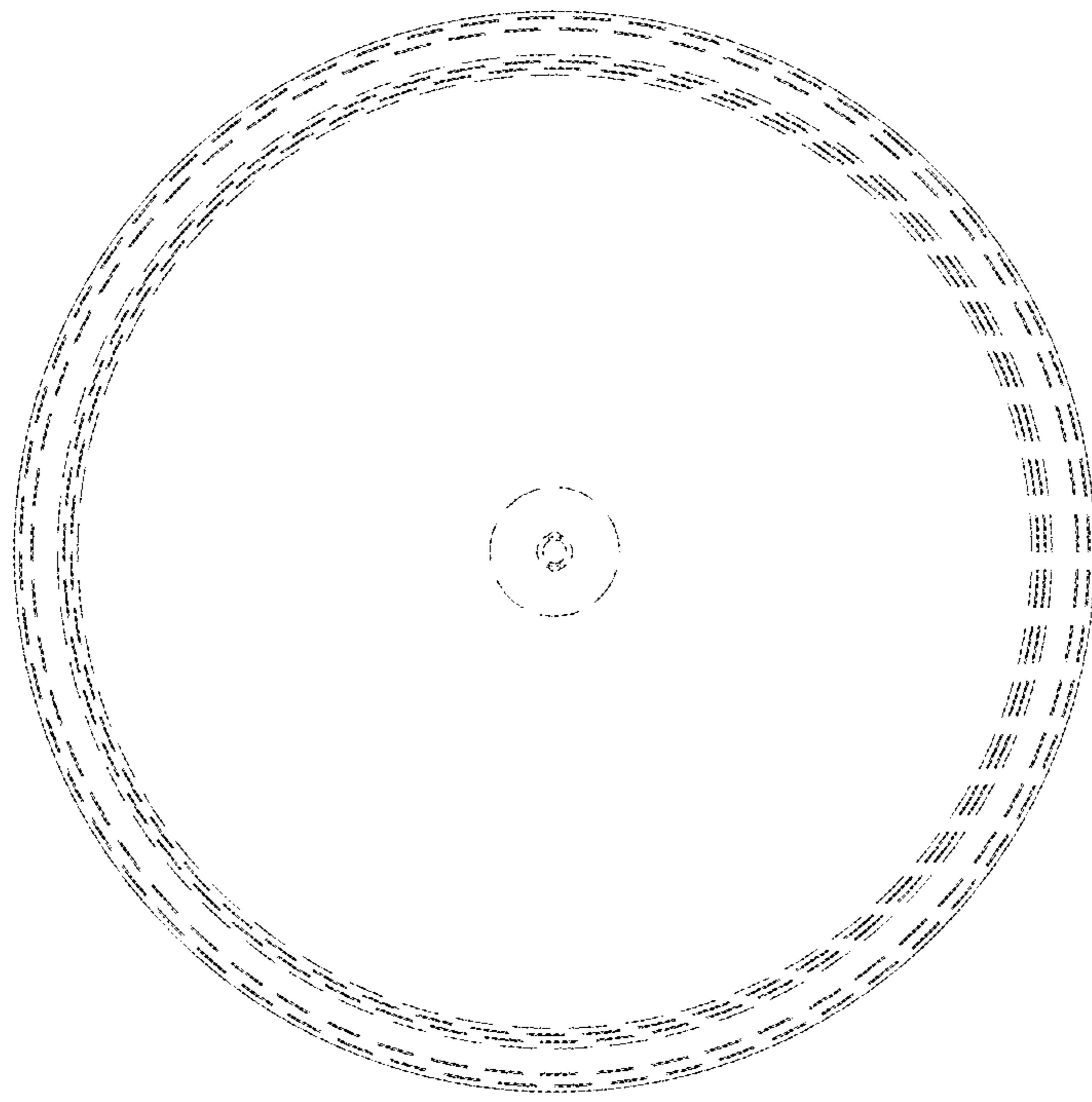


FIG. 7

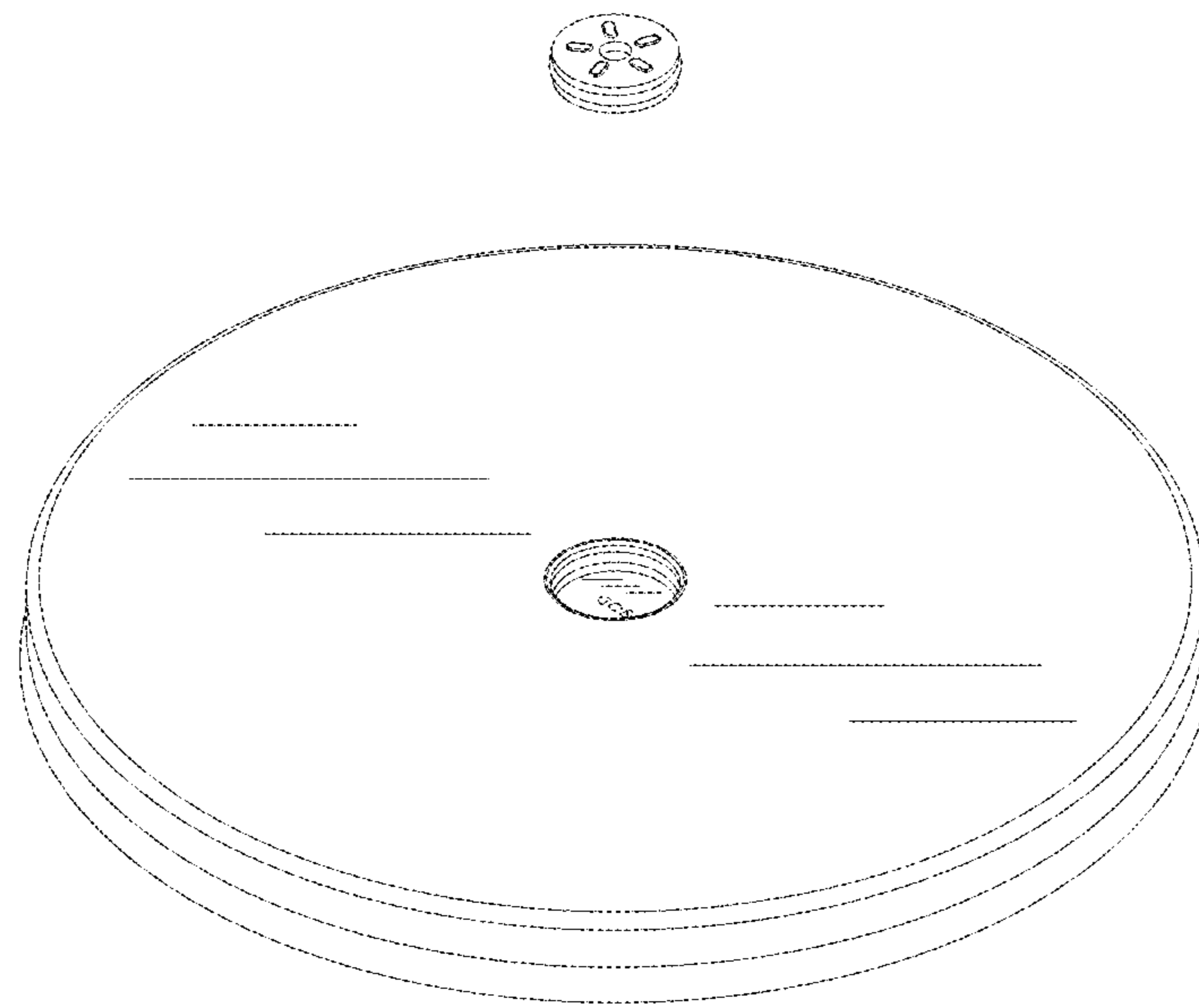


FIG. 8

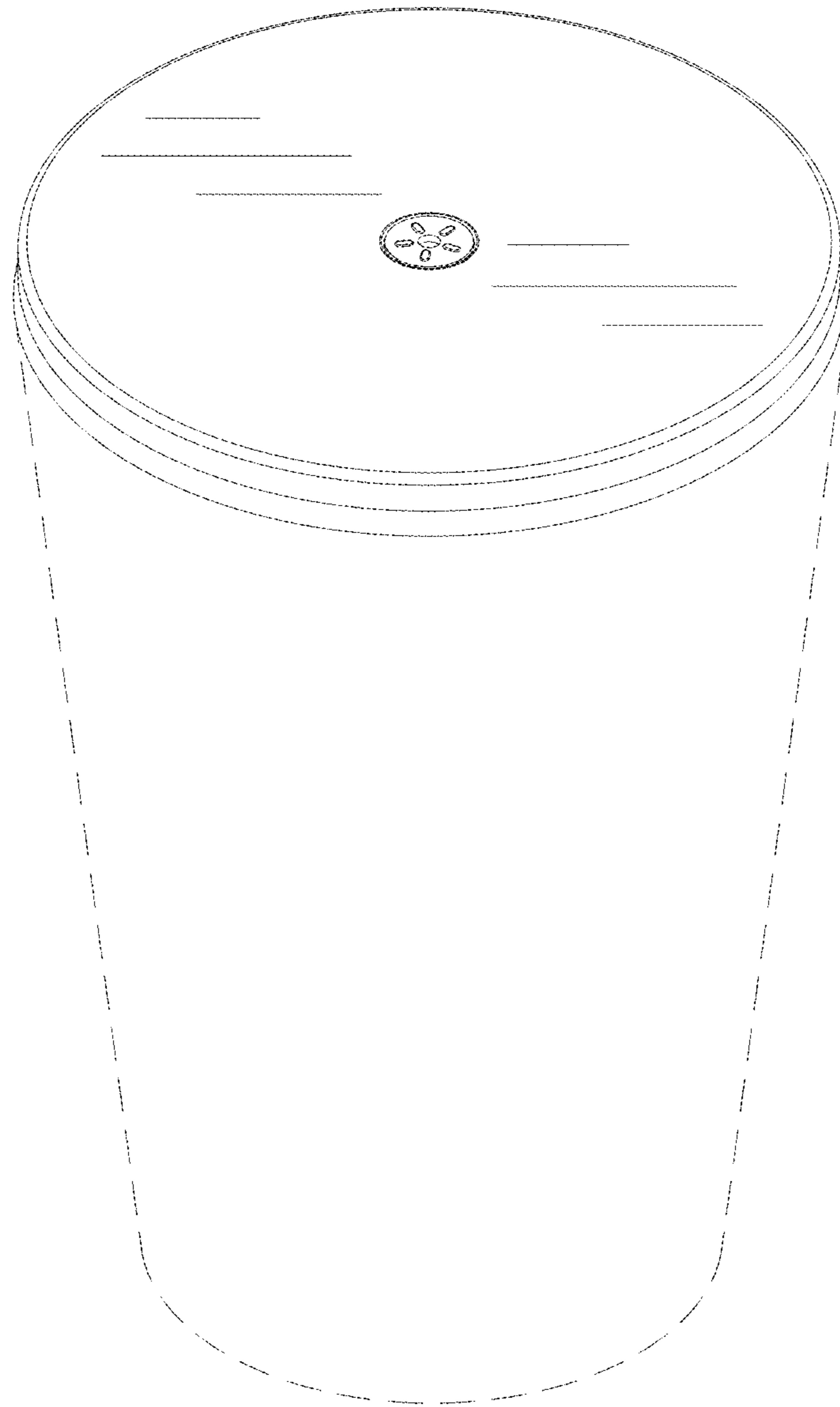


FIG. 9

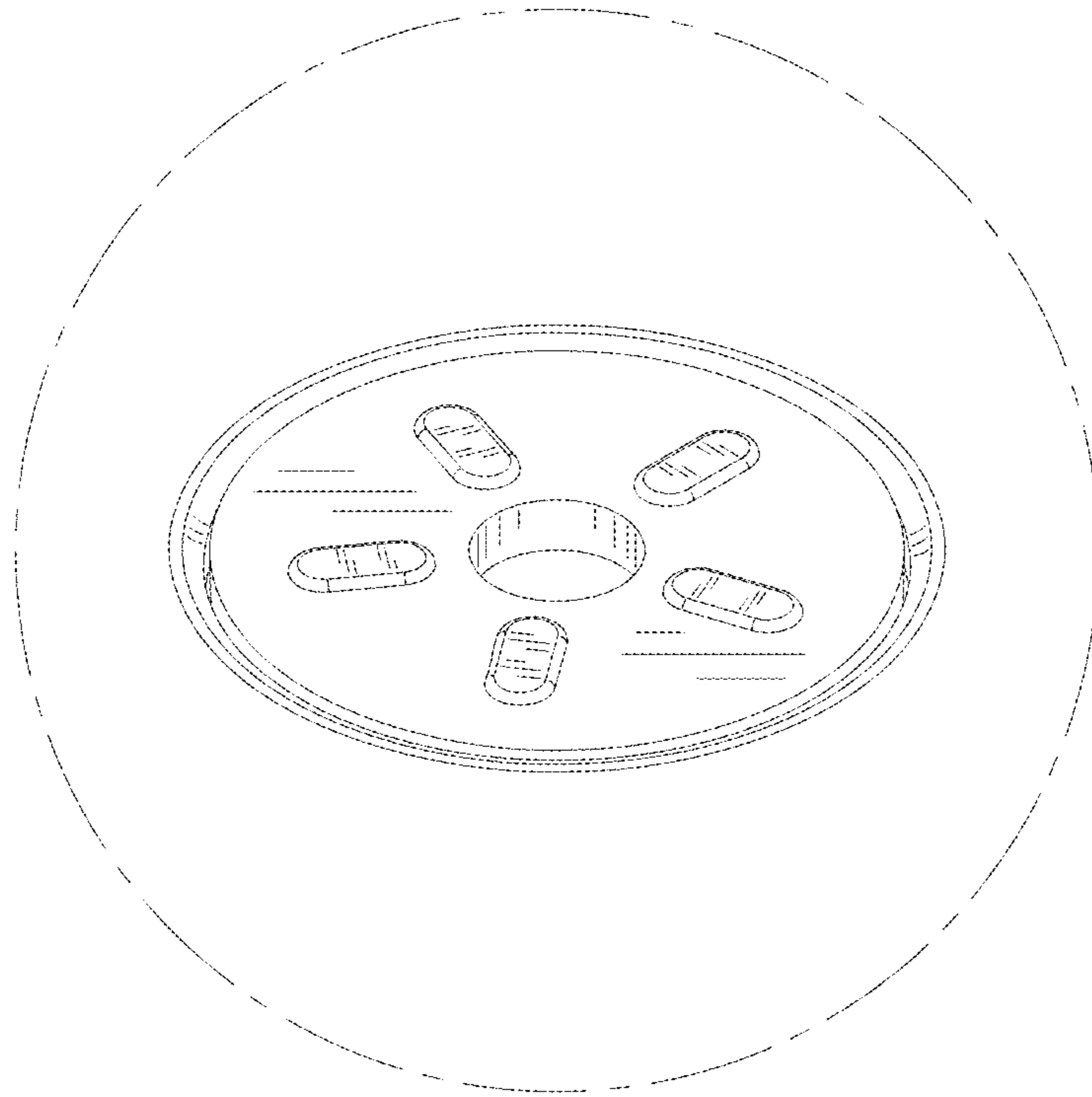


FIG. 10