



US00D955216S

(12) **United States Design Patent**
Cover

(10) **Patent No.:** **US D955,216 S**
(45) **Date of Patent:** **** Jun. 21, 2022**

(54) **BOTTLE CARRIER**

(71) Applicant: **Aaron Cover**, San Diego, CA (US)

(72) Inventor: **Aaron Cover**, San Diego, CA (US)

(**) Term: **15 Years**

(21) Appl. No.: **29/706,058**

(22) Filed: **Sep. 17, 2019**

(51) **LOC (13) Cl.** **09-03**

(52) **U.S. Cl.**
USPC **D9/432**

(58) **Field of Classification Search**

USPC D9/753, 751, 739, 742, 433, 687, 455,
D9/438, 456, 556, 557, 558, 418, 414,
D9/415, 430, 432; D3/201

(Continued)

(56) **References Cited**

U.S. PATENT DOCUMENTS

D147,493 S * 9/1947 D'ver D9/455
2,675,264 A * 4/1954 Lugt, Jr. B65D 71/48
294/87.2

(Continued)

OTHER PUBLICATIONS

Layermade Workshop: Announced [May 10, 2019, online]. Site Visited [Feb. 24, 2021, online]. Available from Internet URL: <https://www.facebook.com/layermadeworkshop/photos/2322664944422667> (Year: 2019).*

Primary Examiner — Leanne Was-Englehart

(74) *Attorney, Agent, or Firm* — Garson & Gutierrez, PC

(57) **CLAIM**

The ornamental design for a bottle carrier, as shown and described.

DESCRIPTION

FIG. 1 is a perspective view of a first embodiment of a bottle carrier with the top closed, showing our new design;

FIG. 2 is a perspective view of the bottle carrier of FIG. 1 with the top open;

FIG. 3 is a top plan view of the bottle carrier of FIG. 1;

FIG. 4 is a top plan view of the bottle carrier of FIG. 2;

FIG. 5 is a front elevation view of the bottle carrier of FIG. 1, the back elevation view being identical;

FIG. 6 is a right elevation view of the bottle carrier of FIG. 1, the left elevation view being identical;

FIG. 7 is a front elevation view of the bottle carrier of FIG. 2, the back elevation view being identical;

FIG. 8 is a right elevation view of the bottle carrier of FIG. 2, the left elevation view being identical;

FIG. 9 is a bottom plan view of the bottle carrier of FIG. 1;

FIG. 10 is a bottom plan view of the bottle carrier of FIG. 2;

FIG. 11 is an exploded view of the bottle carrier of FIGS. 1 and 2;

FIG. 12 is a perspective view of a second embodiment of a bottle carrier with the top closed, showing our new design;

FIG. 13 is a perspective view of the bottle carrier of FIG. 12 with the top open;

FIG. 14 is a top plan view of the bottle carrier of FIG. 12;

FIG. 15 is a top plan view of the bottle carrier of FIG. 13;

FIG. 16 is a front elevation view of the bottle carrier of FIG. 12, the back elevation view being identical;

FIG. 17 is a right elevation view of the bottle carrier of FIG. 12, the left elevation view being identical;

FIG. 18 is a front elevation view of the bottle carrier of FIG. 13, the back elevation view being identical;

FIG. 19 is a right elevation view of the bottle carrier of FIG. 13, the left elevation view being identical;

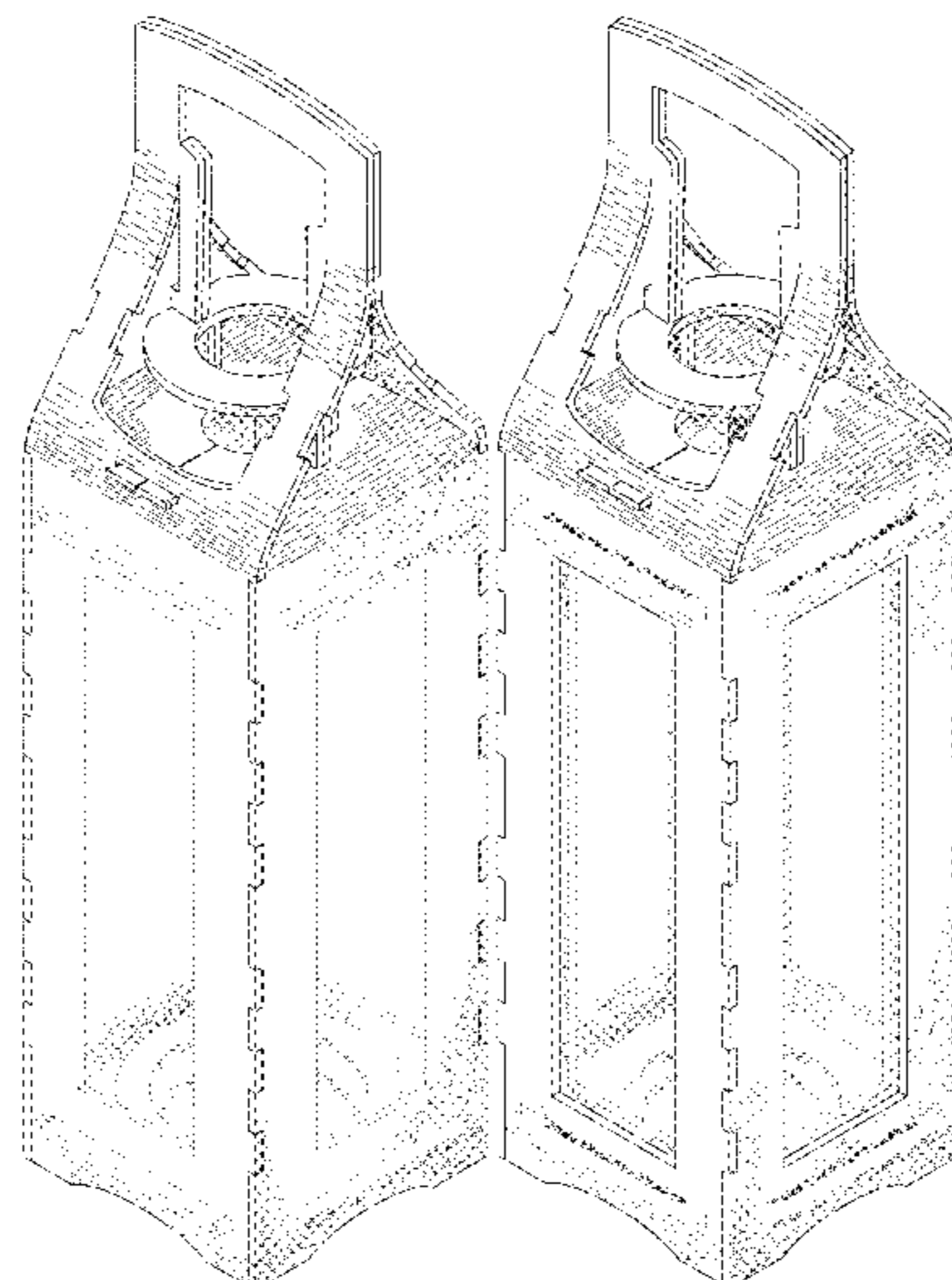
FIG. 20 is a bottom plan view of the bottle carrier of FIG. 12;

FIG. 21 is a bottom plan view of the bottle carrier of FIG. 13; and,

FIG. 22 is an exploded view of the bottle carrier of FIGS. 12 and 13.

The broken lines are shown for the purpose of illustrating environment and parts of the article that form no part of the claim.

1 Claim, 12 Drawing Sheets



US D955,216 S

Page 2

(58) **Field of Classification Search**

CPC .. B65D 71/16; B65D 5/5038; B65D 71/0077;
A47G 23/0241

See application file for complete search history.

(56) **References Cited**

U.S. PATENT DOCUMENTS

2,864,531 A * 12/1958 Zastrow B65D 71/0077
206/165
D237,620 S * 11/1975 Jones D23/369
4,037,721 A * 7/1977 Schillinger B65D 71/16
206/434
4,201,322 A * 5/1980 Crawford B65D 71/0077
206/183
D551,070 S * 9/2007 Wallwork D9/414
D595,584 S * 7/2009 Yamamoto D9/529
D617,552 S * 6/2010 Martin, Jr. D3/229
7,882,950 B2 * 2/2011 Nazari B65D 5/5038
206/488

D649,469 S * 11/2011 Fine B65D 71/16
D9/551
D654,810 S * 2/2012 Mansouri D9/711
D725,483 S * 3/2015 Abadie A47G 23/0241
D9/687
D750,963 S * 3/2016 Sankot A45C 13/30
D9/517
D758,859 S * 6/2016 Sorensen B65D 5/5038
D9/443
9,574,812 B2 * 2/2017 Agostini A47G 23/0241
D799,205 S * 10/2017 Munson B65D 71/48
D3/229
9,789,502 B2 * 10/2017 Maddy B05B 11/3059
D833,282 S * 11/2018 Thompson B65D 5/5088
D9/517
D838,521 S * 1/2019 Goldmeier A47G 23/0241
D6/672
2014/0312082 A1 * 10/2014 Scribner A45C 13/30
224/148.6
2016/0325907 A1 * 11/2016 Castex B65D 5/5088
2016/0360912 A1 * 12/2016 Chang A47G 23/0241

* cited by examiner

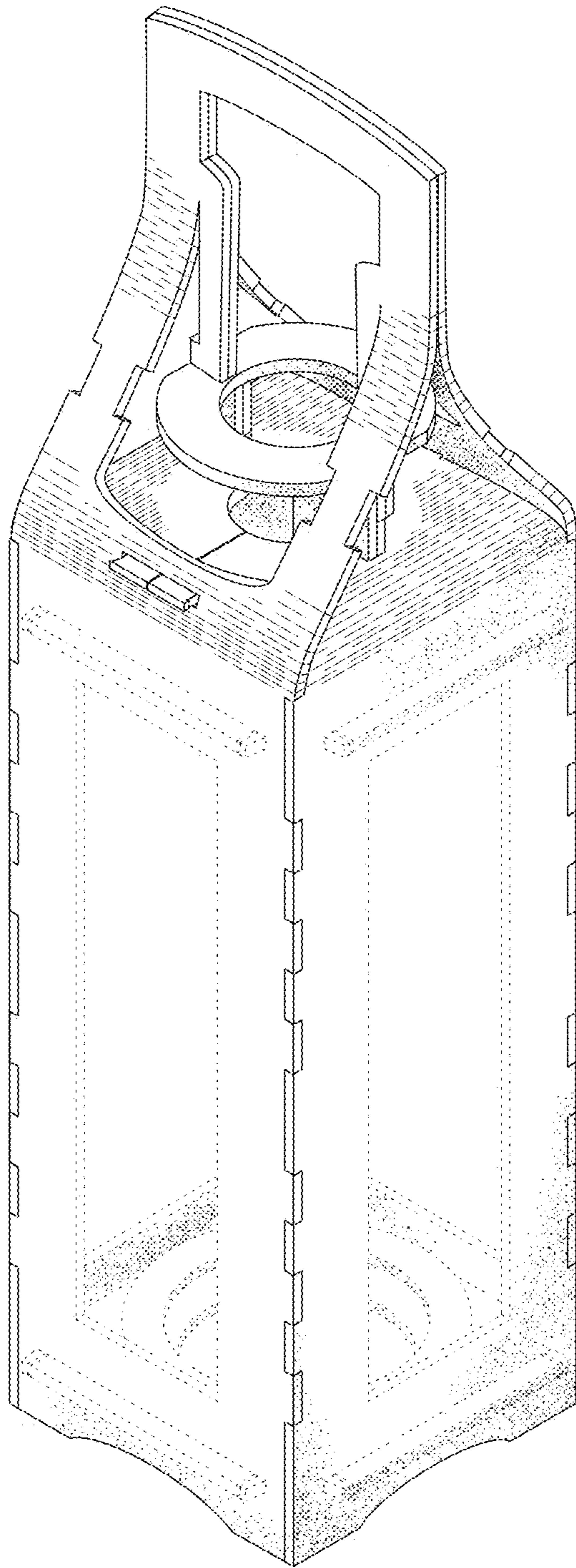


FIG. 1

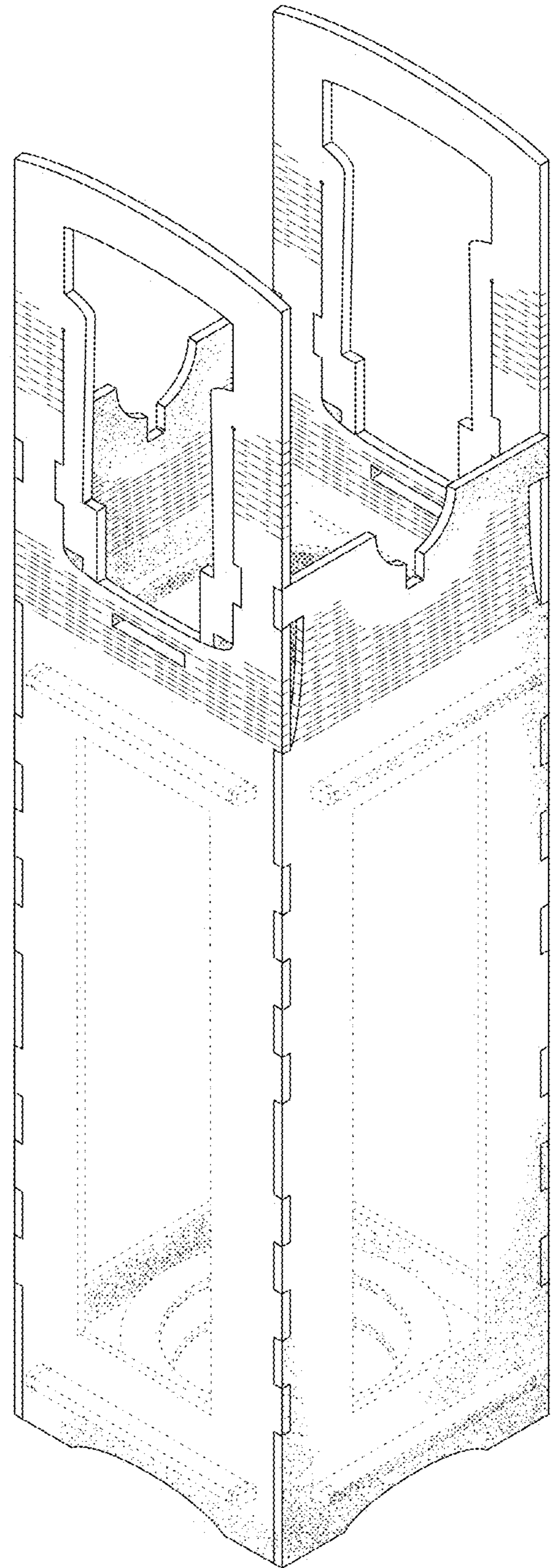


FIG. 2

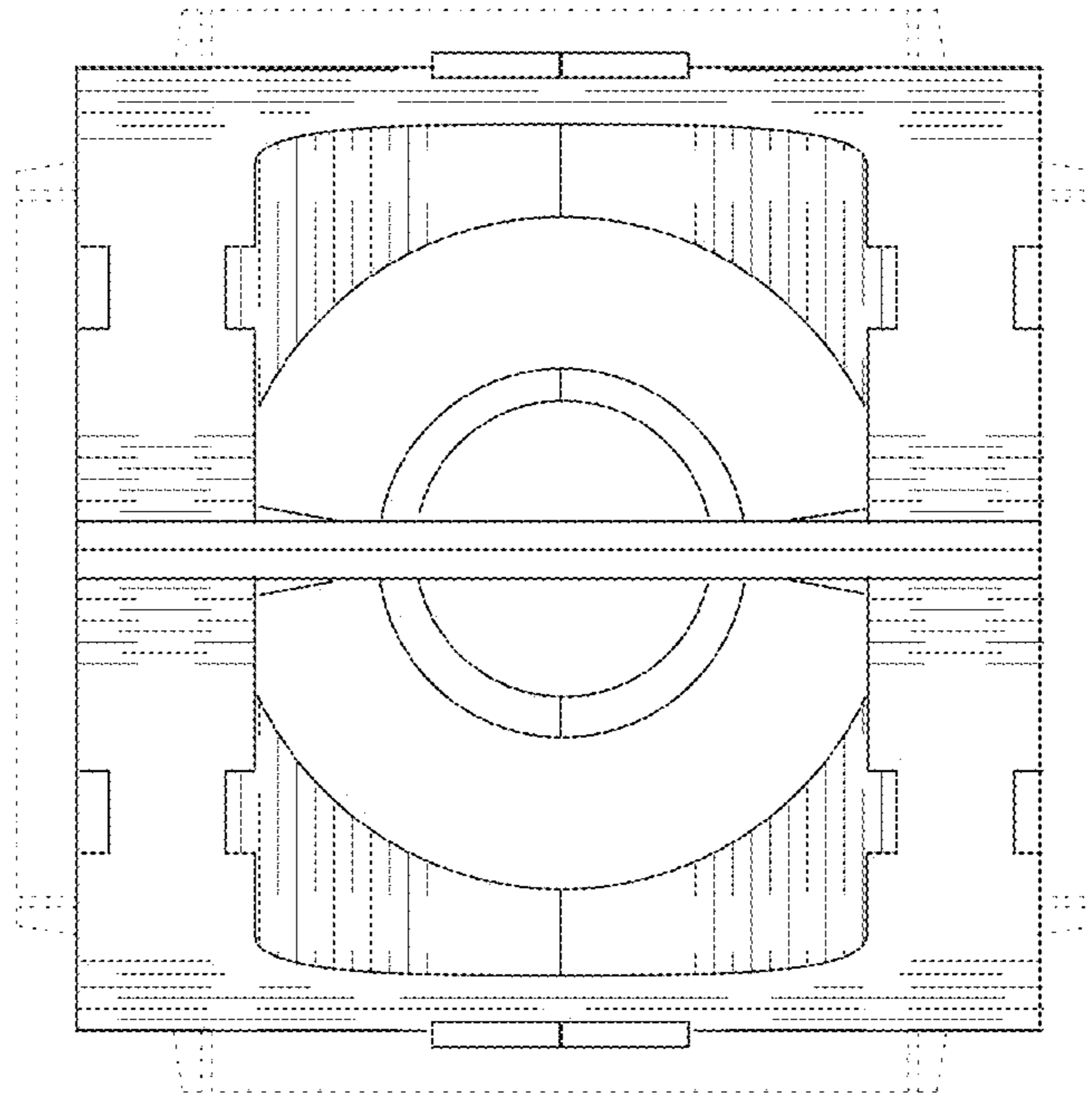


FIG. 3

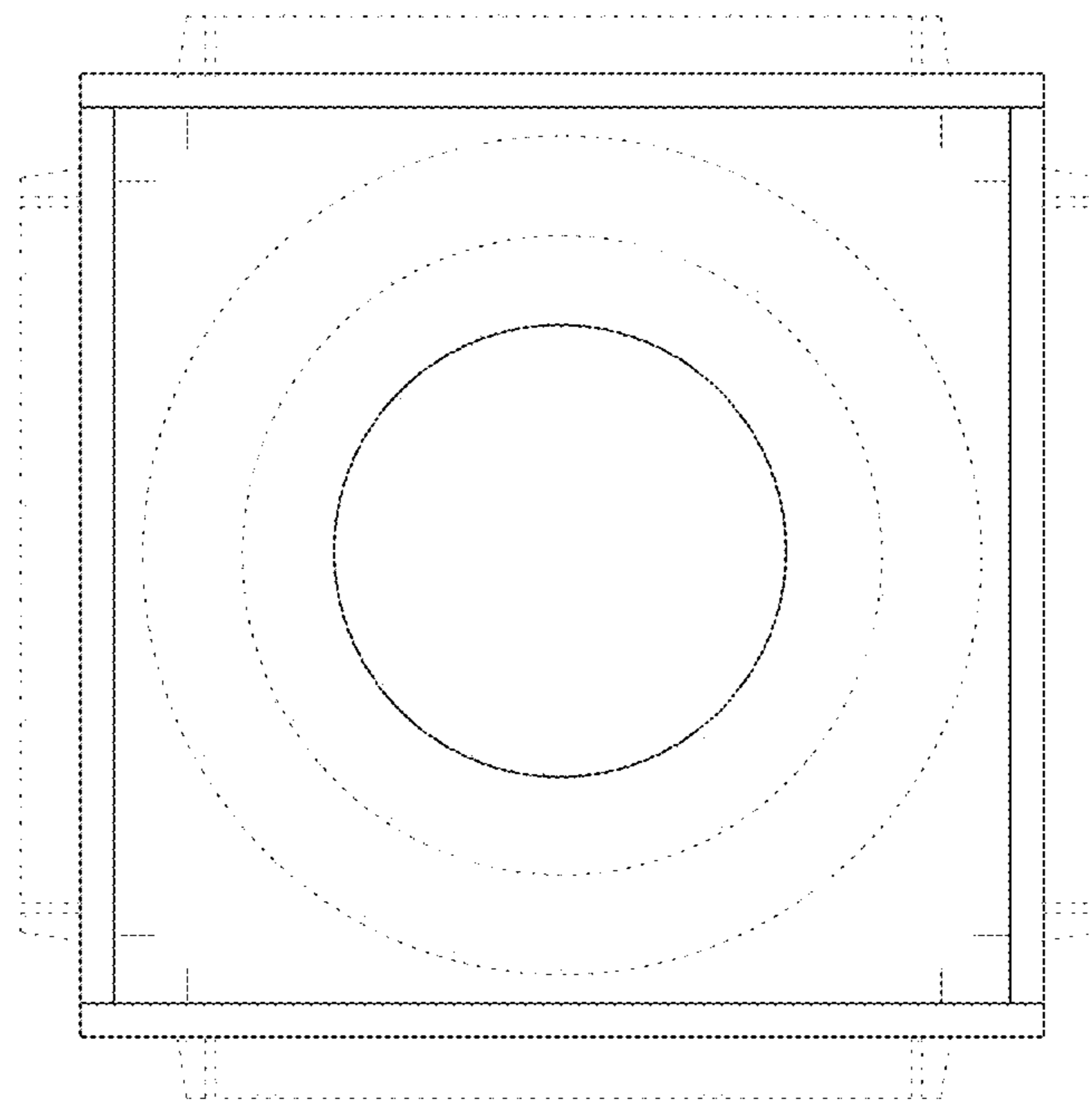


FIG. 4

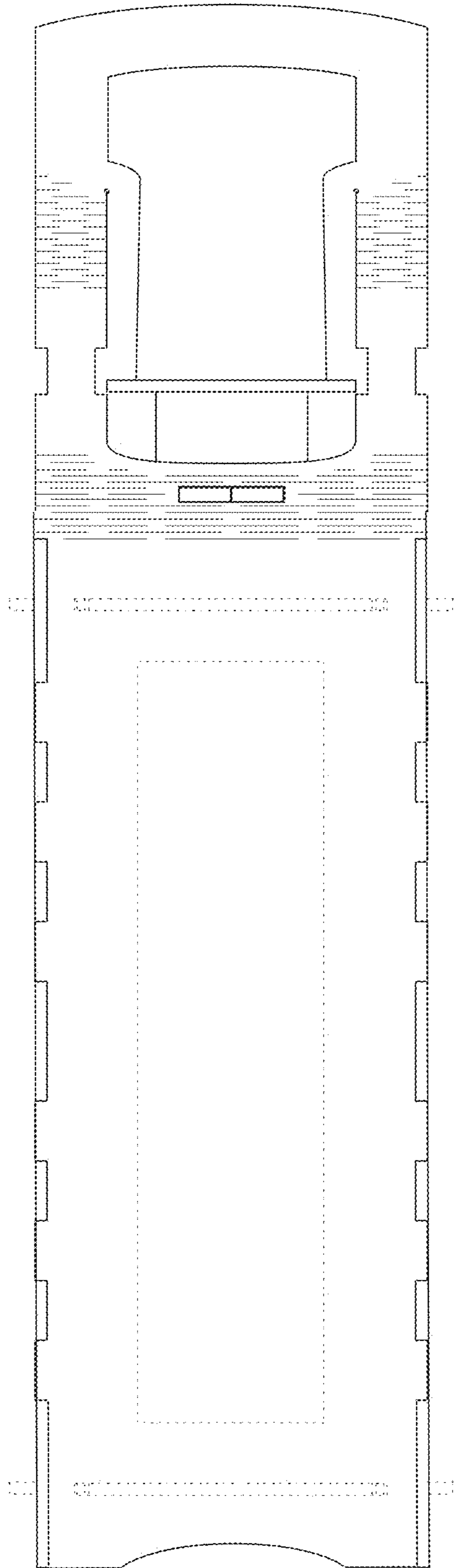


FIG. 5

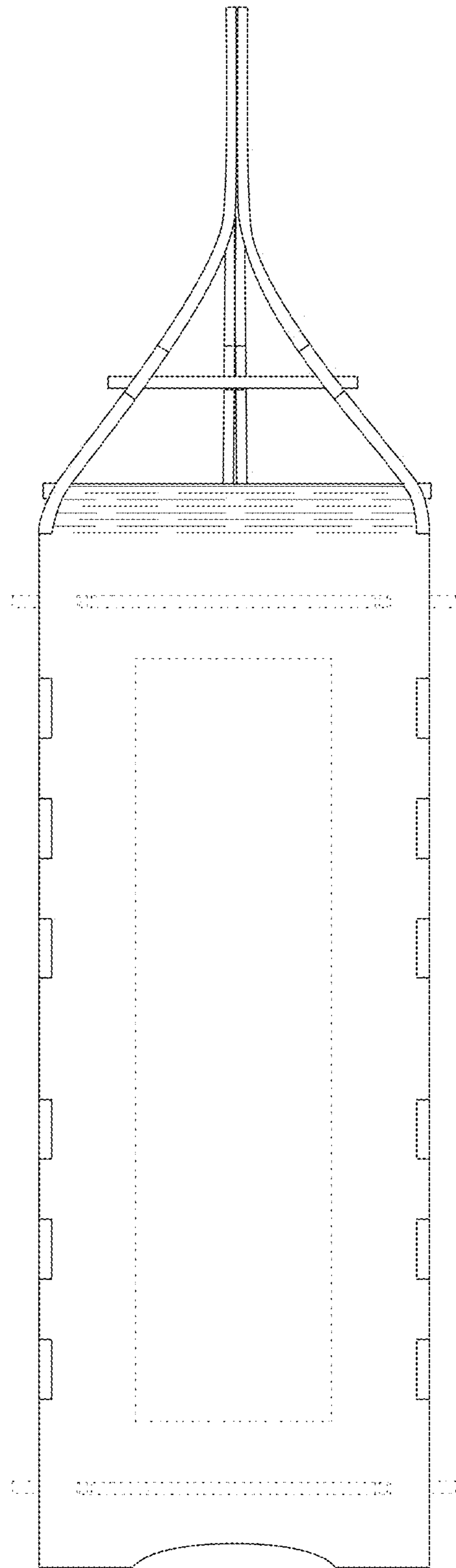


FIG. 6

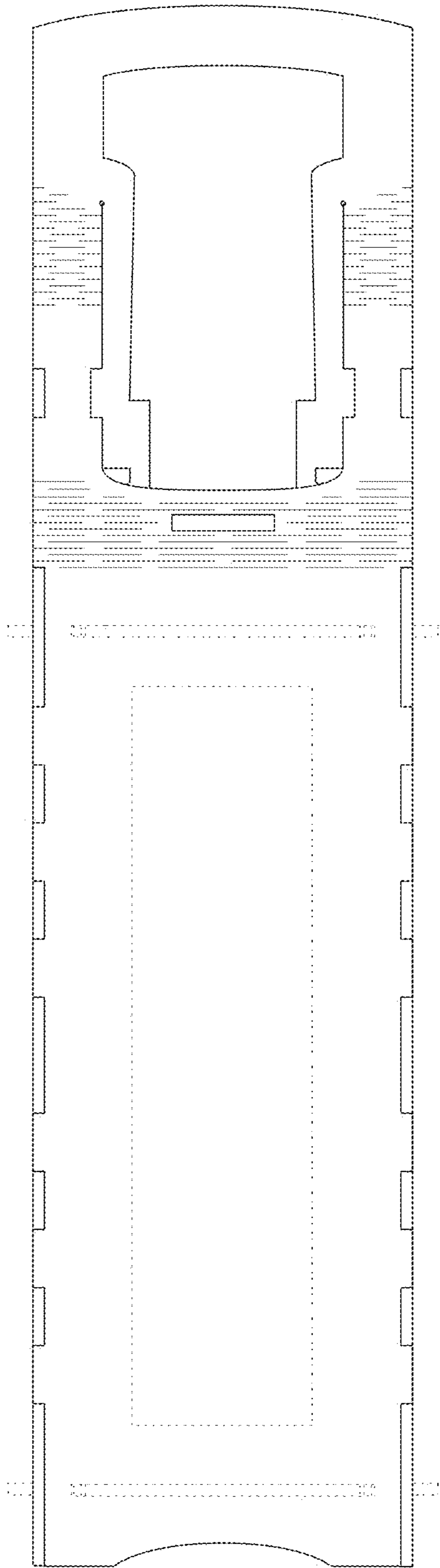


FIG. 7

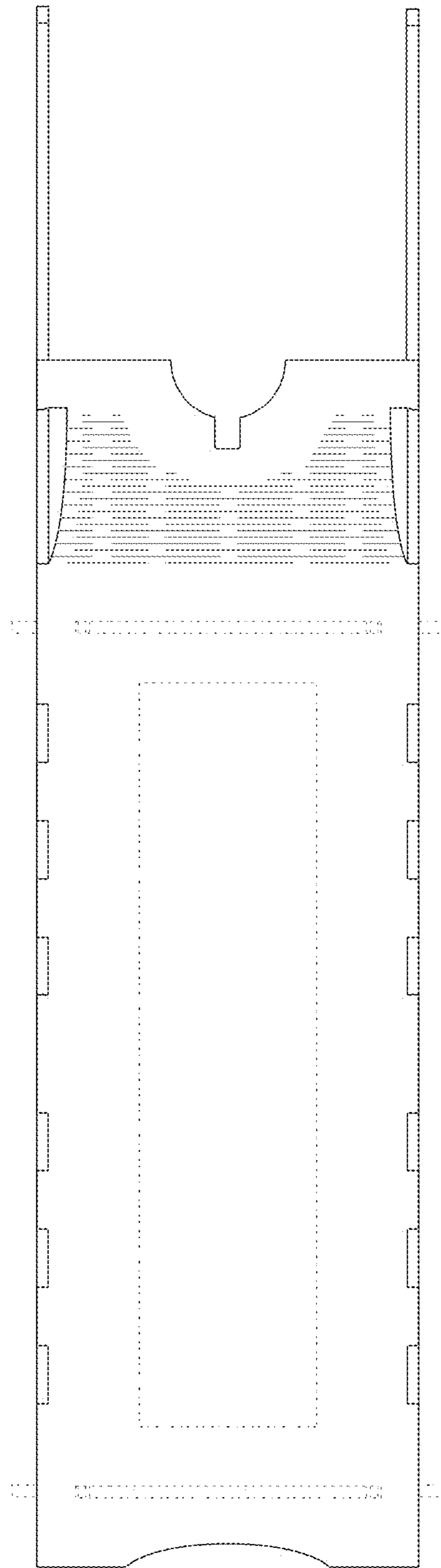


FIG. 8

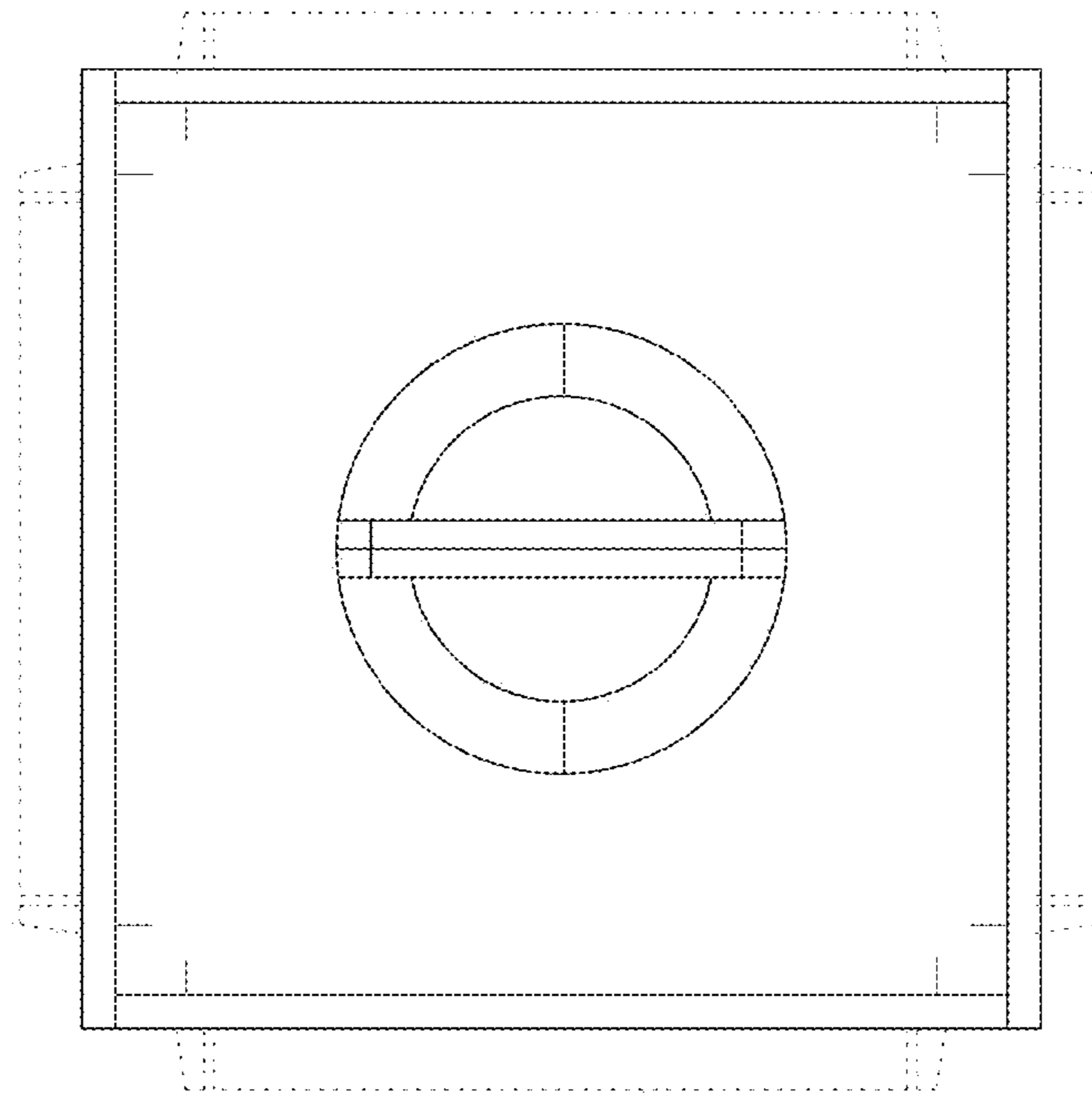


FIG. 9

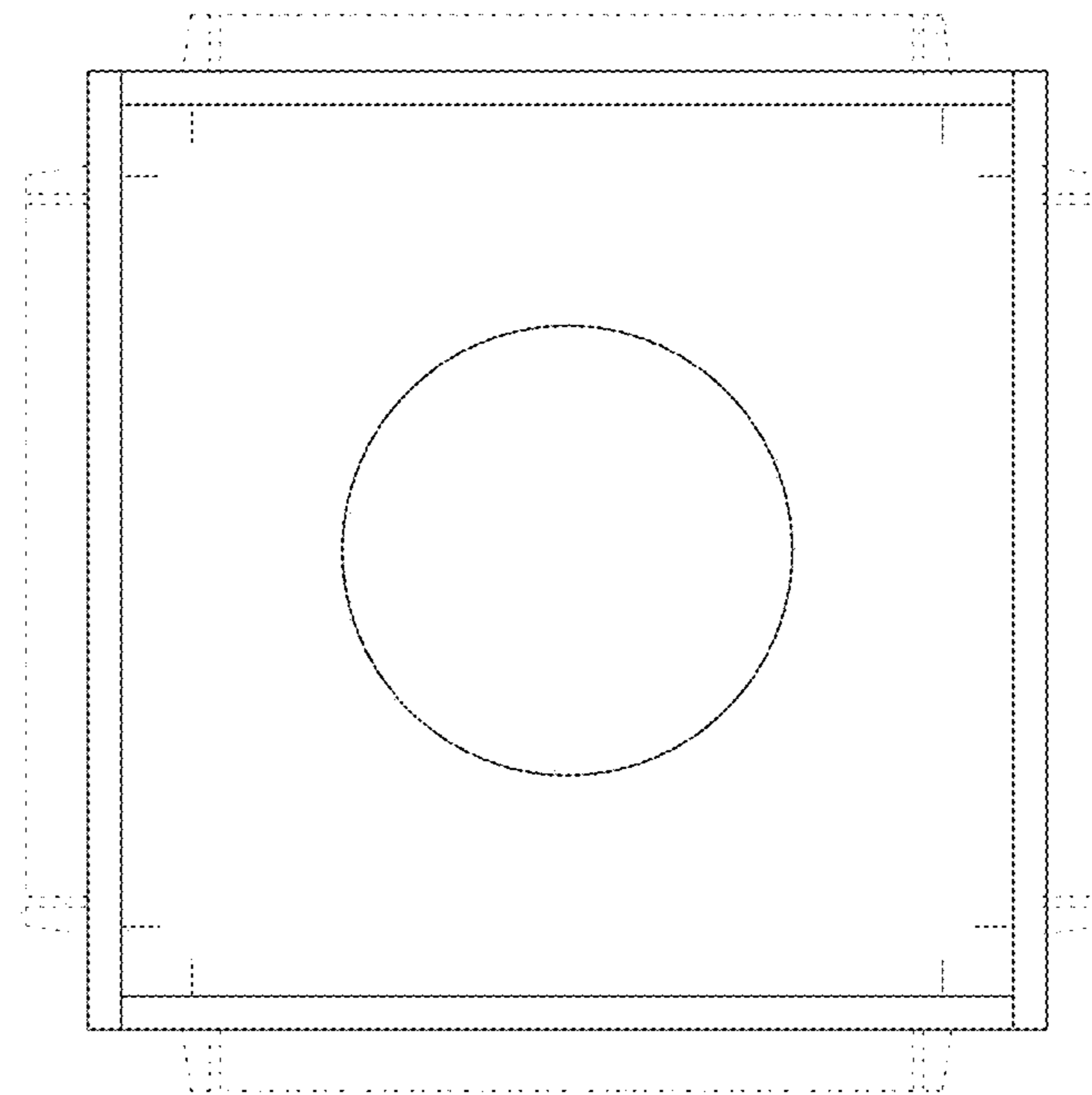


FIG. 10

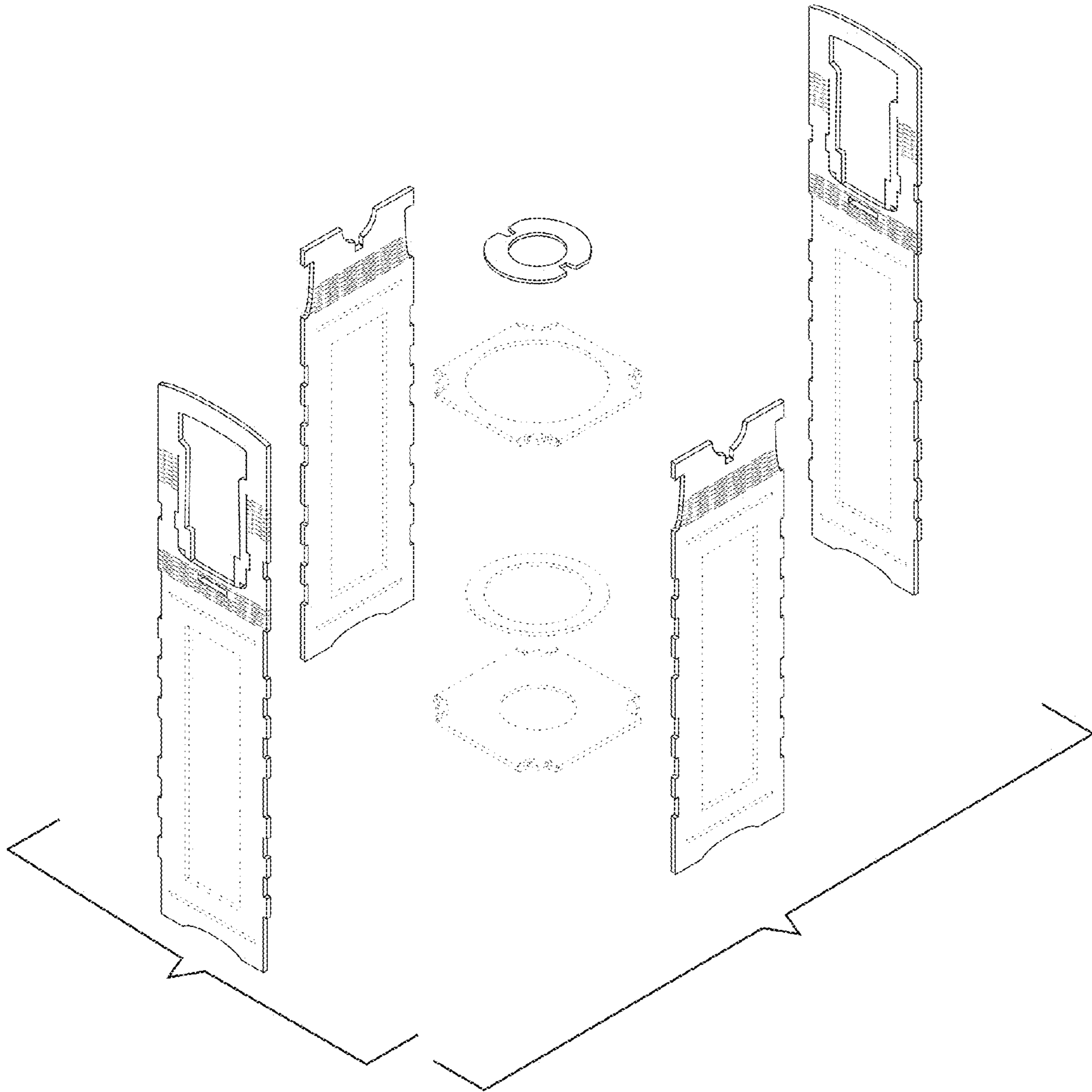


FIG. 11

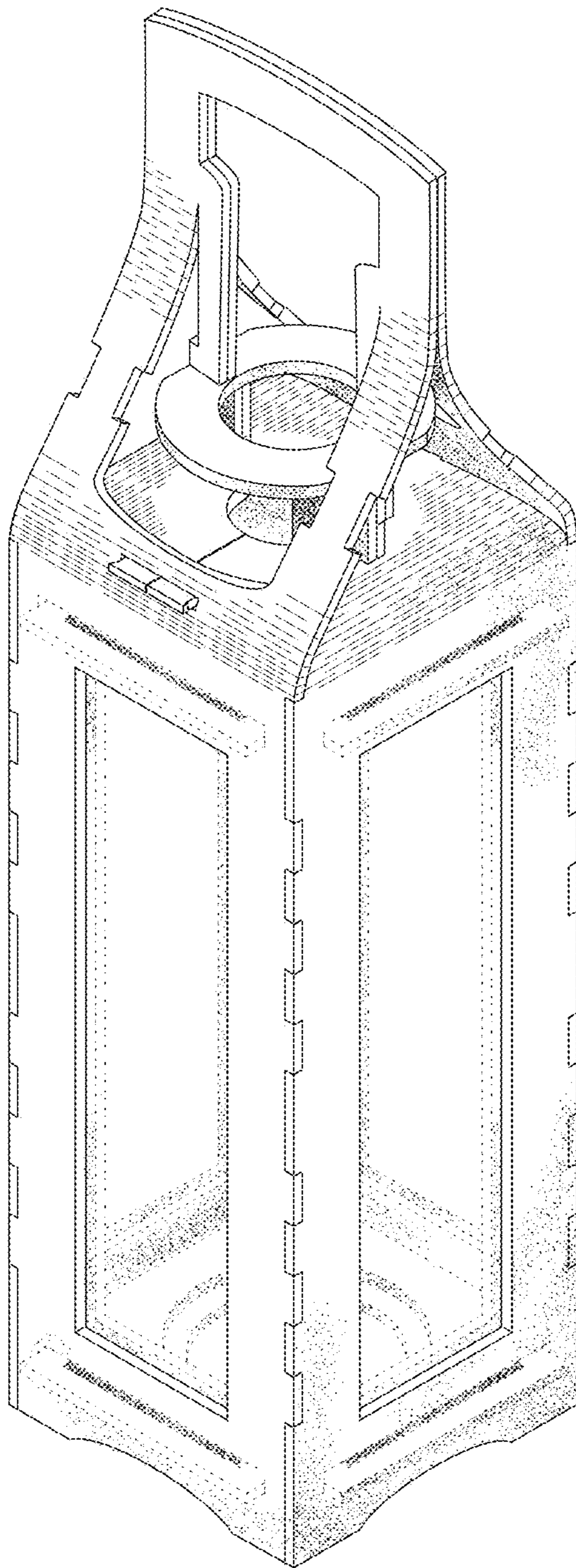


FIG. 12

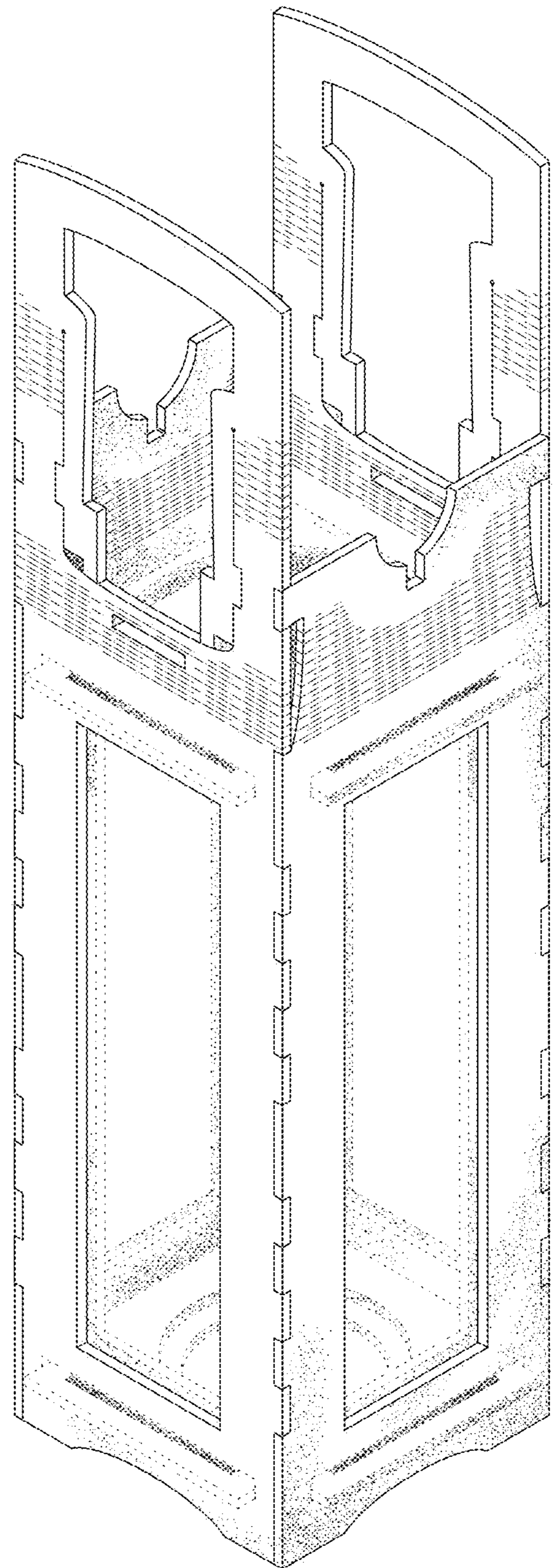


FIG. 13

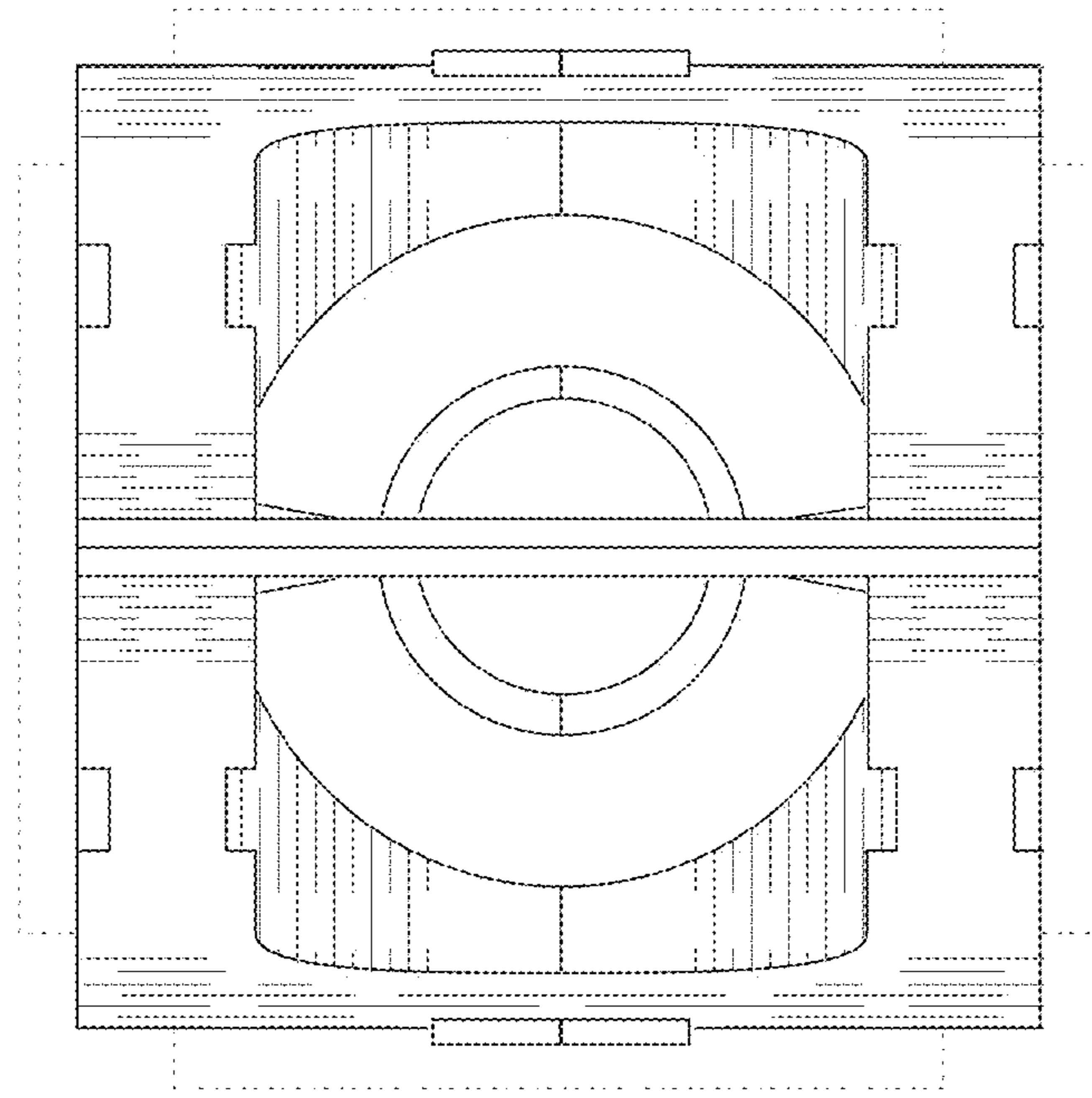


FIG. 14

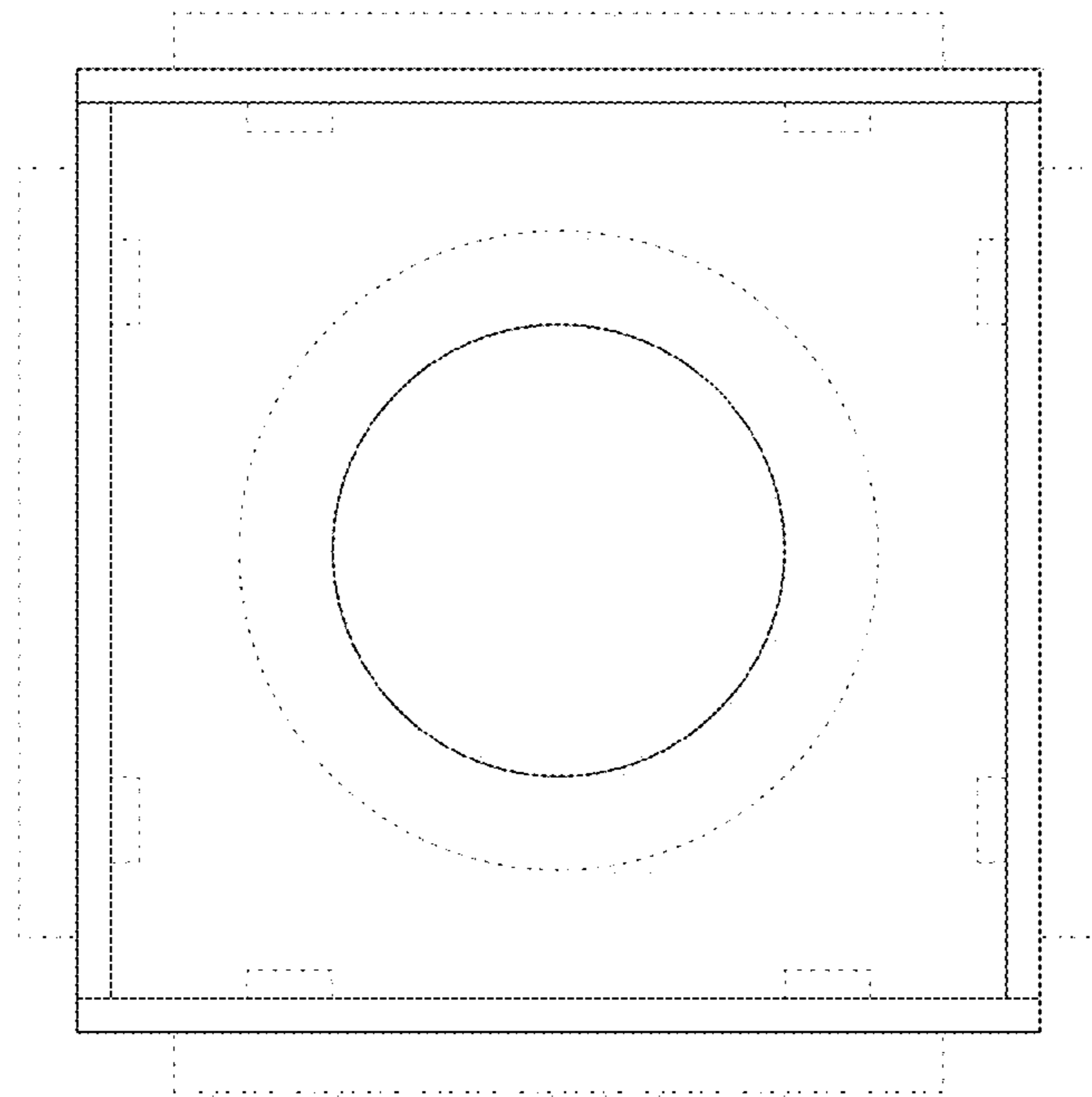


FIG. 15

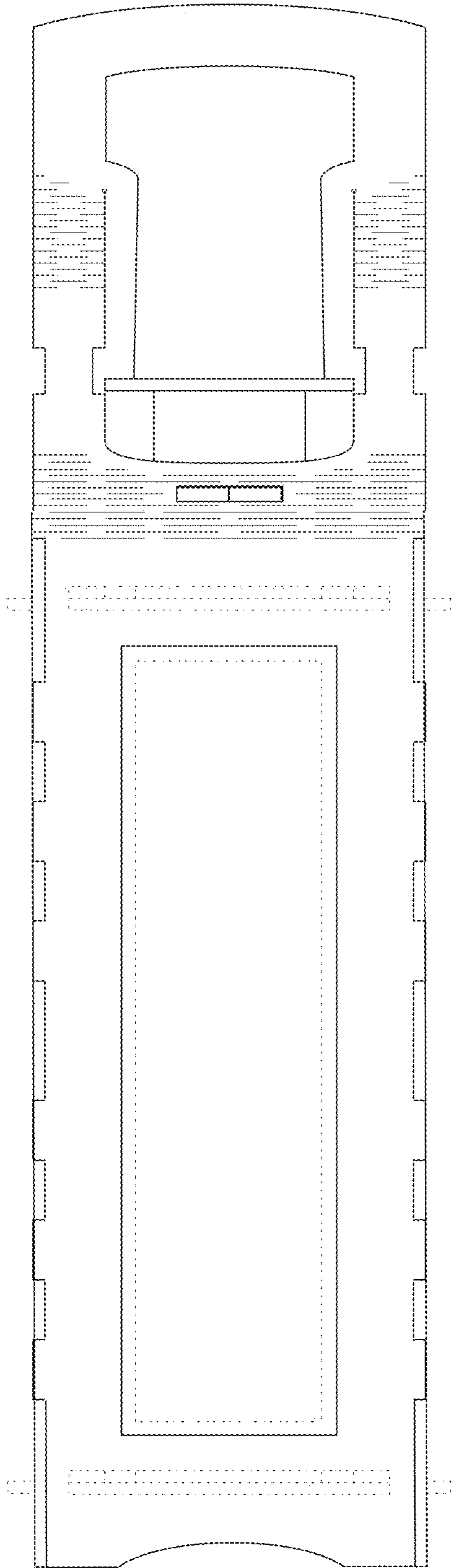


FIG. 16

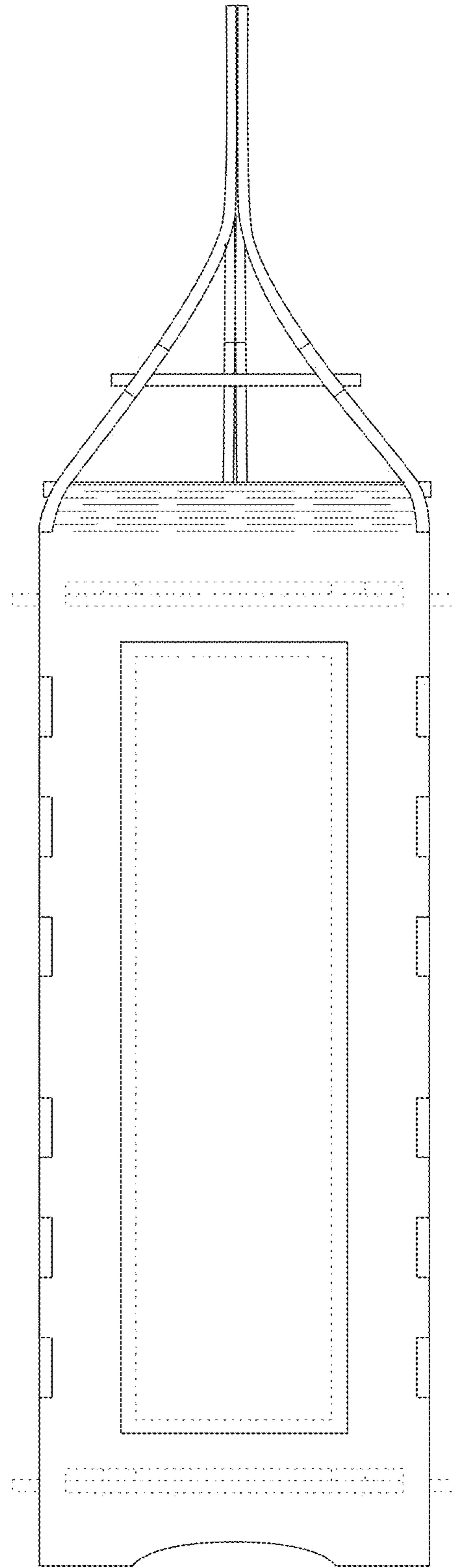


FIG. 17

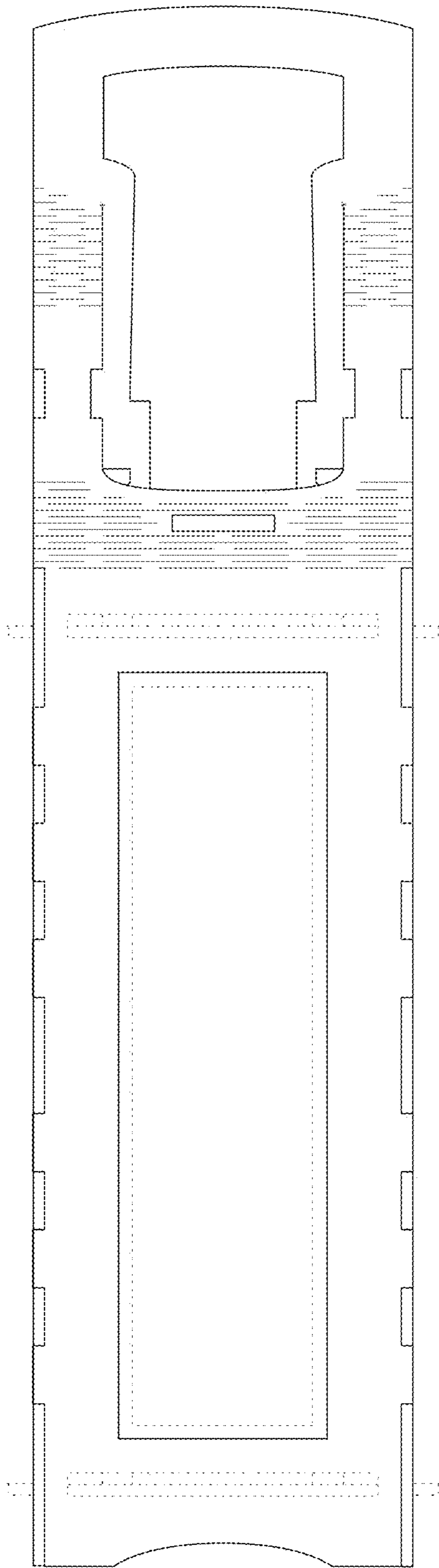


FIG. 18

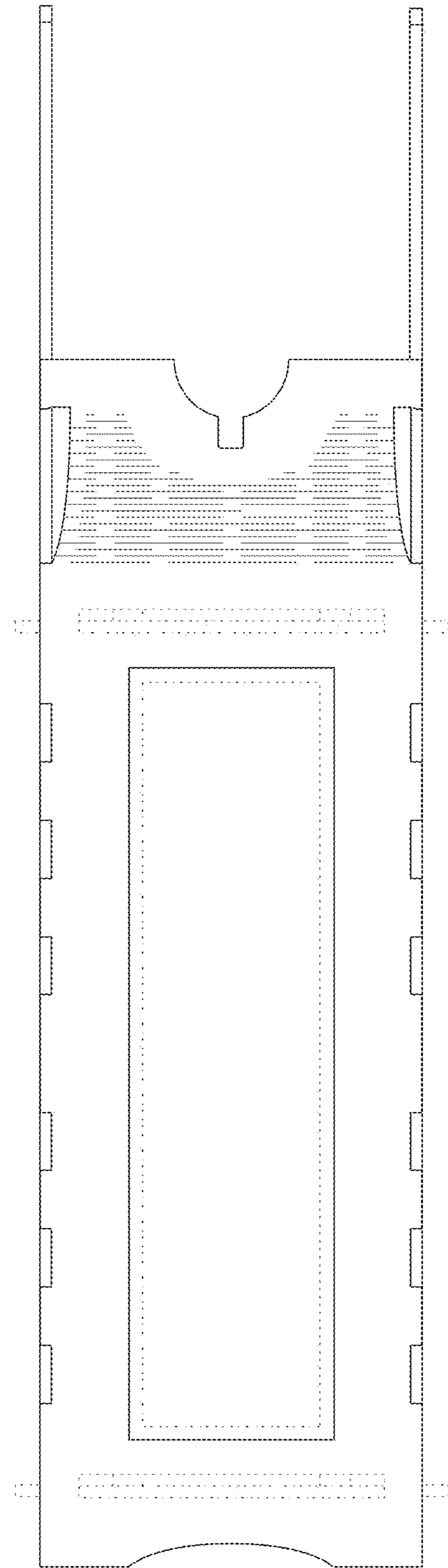


FIG. 19

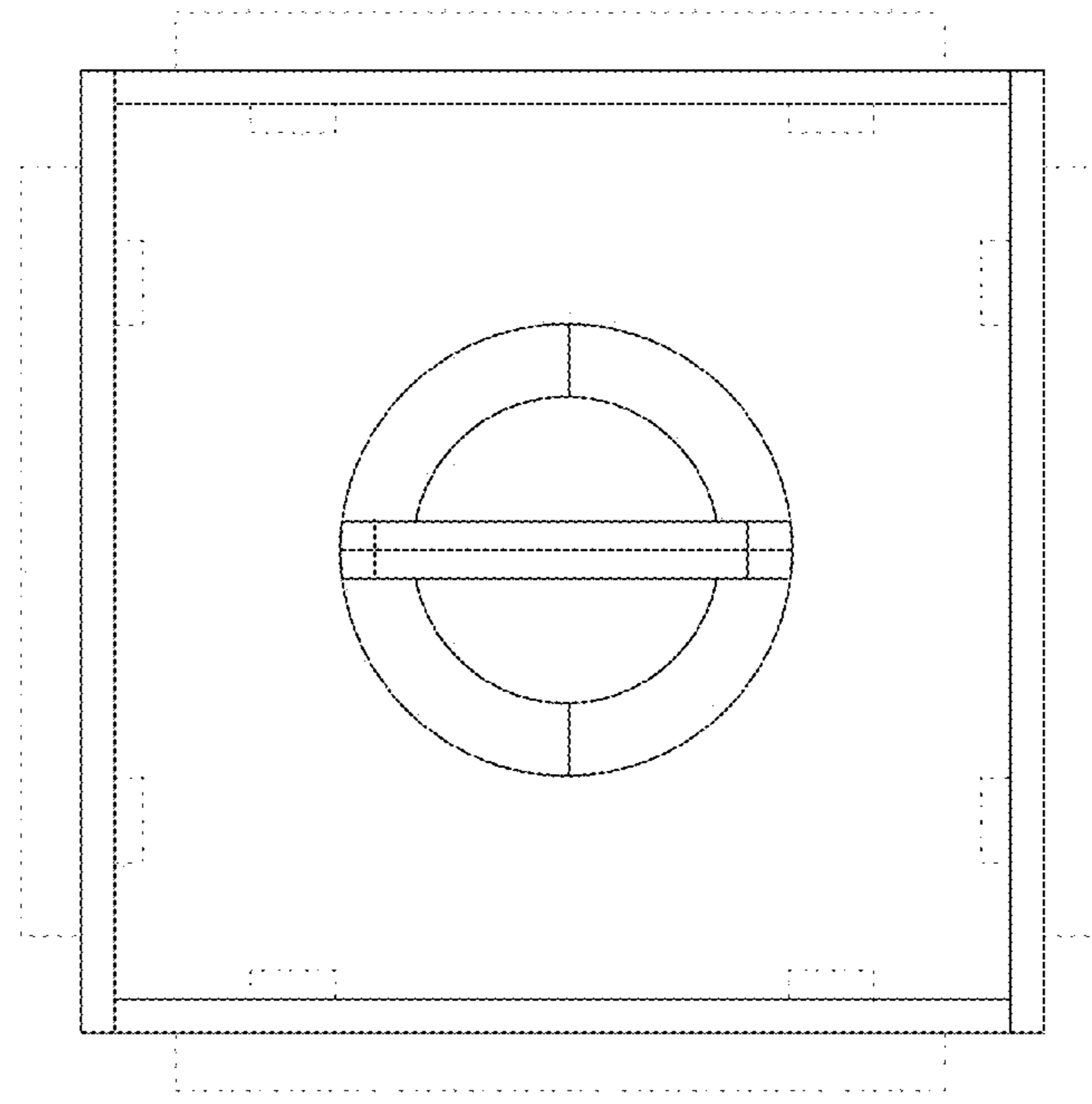


FIG. 20

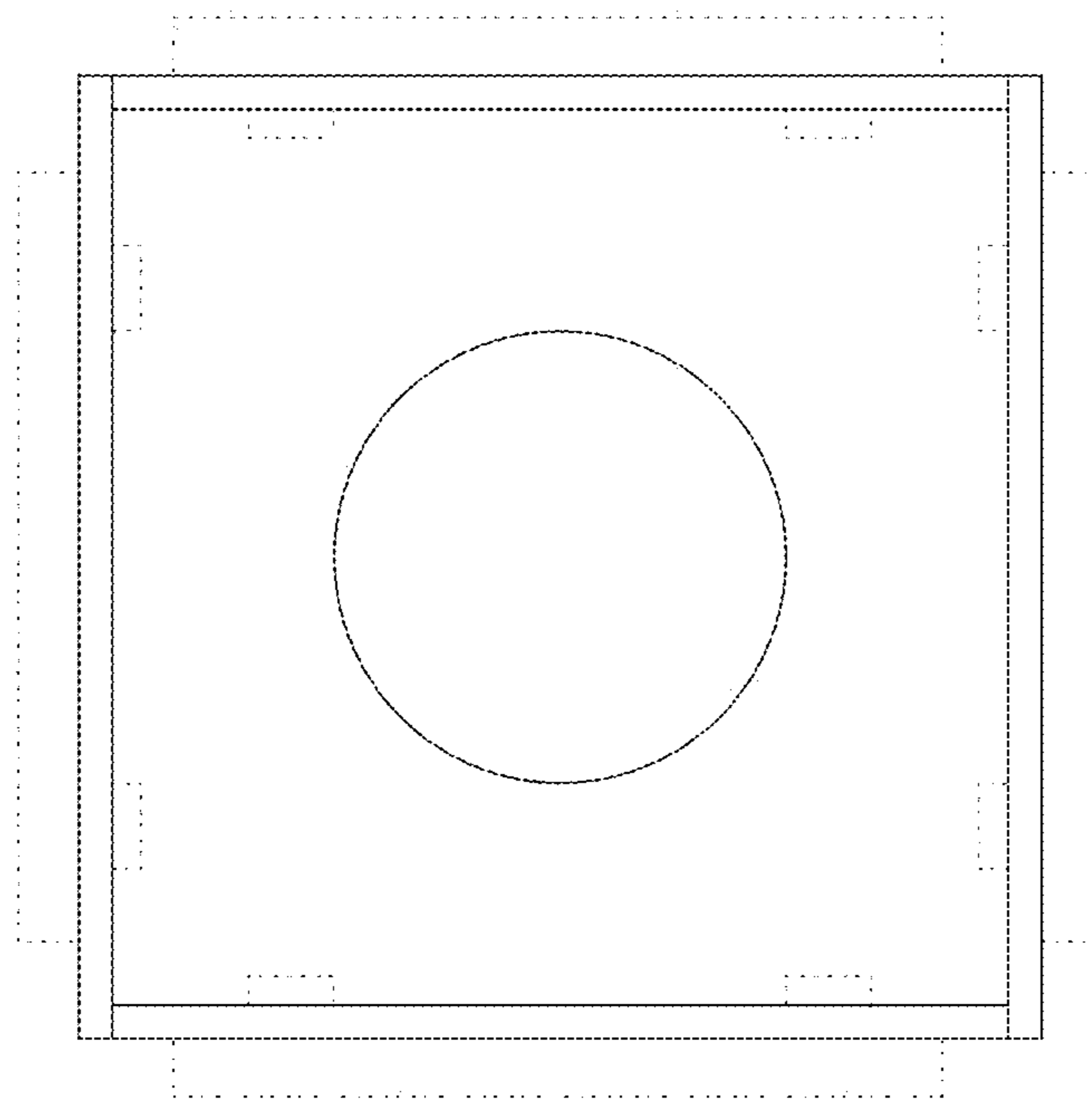


FIG. 21

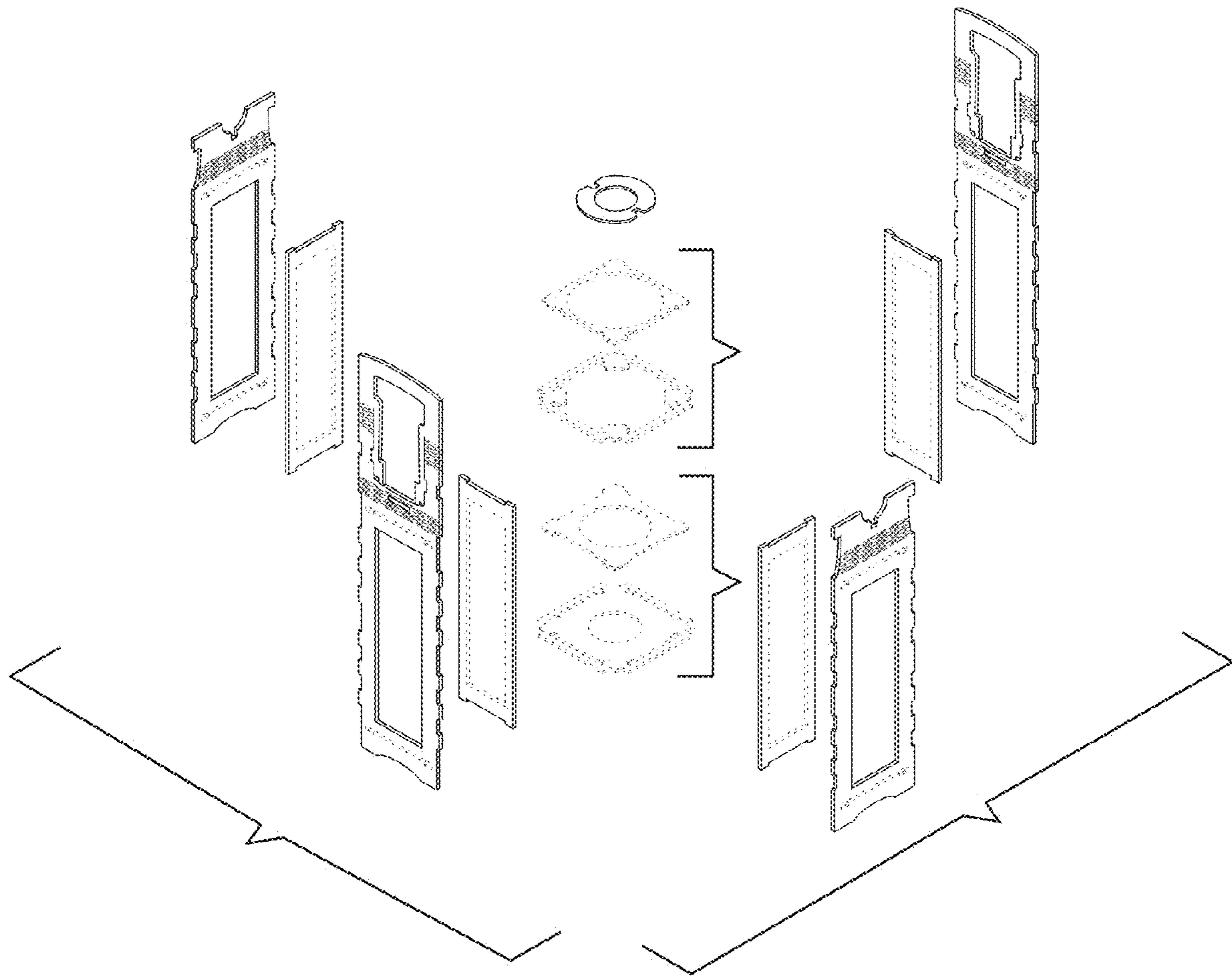


FIG. 22