



US00D955211S

(12) **United States Design Patent**
Qiu

(10) **Patent No.:** **US D955,211 S**
(45) **Date of Patent:** **** Jun. 21, 2022**

(54) **DOOR HARP**

D768,014 S * 10/2016 Yang D10/118.2
D799,357 S * 10/2017 Friess D10/118.1
D902,063 S * 11/2020 Han D10/118.2

(71) Applicant: **Huanjin Qiu**, Chaozhou (CN)

(72) Inventor: **Huanjin Qiu**, Chaozhou (CN)

(**) Term: **15 Years**

(21) Appl. No.: **29/794,935**

(22) Filed: **Jun. 16, 2021**

(51) **LOC (13) Cl.** **10-06**

(52) **U.S. Cl.**
USPC **D8/401**; D10/118; D10/118.2

(58) **Field of Classification Search**
USPC D10/118, 118.1, 118.2; D8/401, 499
CPC ... G08B 3/00; G08B 3/10; G08B 7/00; G08B
7/06; G08B 13/1436; G08B 13/1463;
G08B 13/1481

See application file for complete search history.

(56) **References Cited**

U.S. PATENT DOCUMENTS

515,323 A * 2/1894 Carswell G10D 17/00
84/173
2,705,936 A * 4/1955 Garson G08B 3/02
84/404
4,936,181 A 6/1990 Marron
4,976,214 A 12/1990 Taylor
D565,986 S * 4/2008 Friess D10/118
D636,286 S * 4/2011 Khor D10/118
D636,287 S * 4/2011 Khor D10/118
D637,099 S * 5/2011 Khor D10/118

OTHER PUBLICATIONS

Amazon, YMYP Shopkeepers Bell—Magnetic Attached Doorbell for Door Opening, , Retrieved from the Internet: <https://www.amazon.com/YMYP-Shopkeepers-Bell-Magnetic-Decoration/dp/B09NKWCT1L/ref=sr_1_2>, Dec. 13, 2021, 4pgs (Year: 2021).*

* cited by examiner

Primary Examiner — Keli L Hill
Assistant Examiner — Harold E Blackwell, II

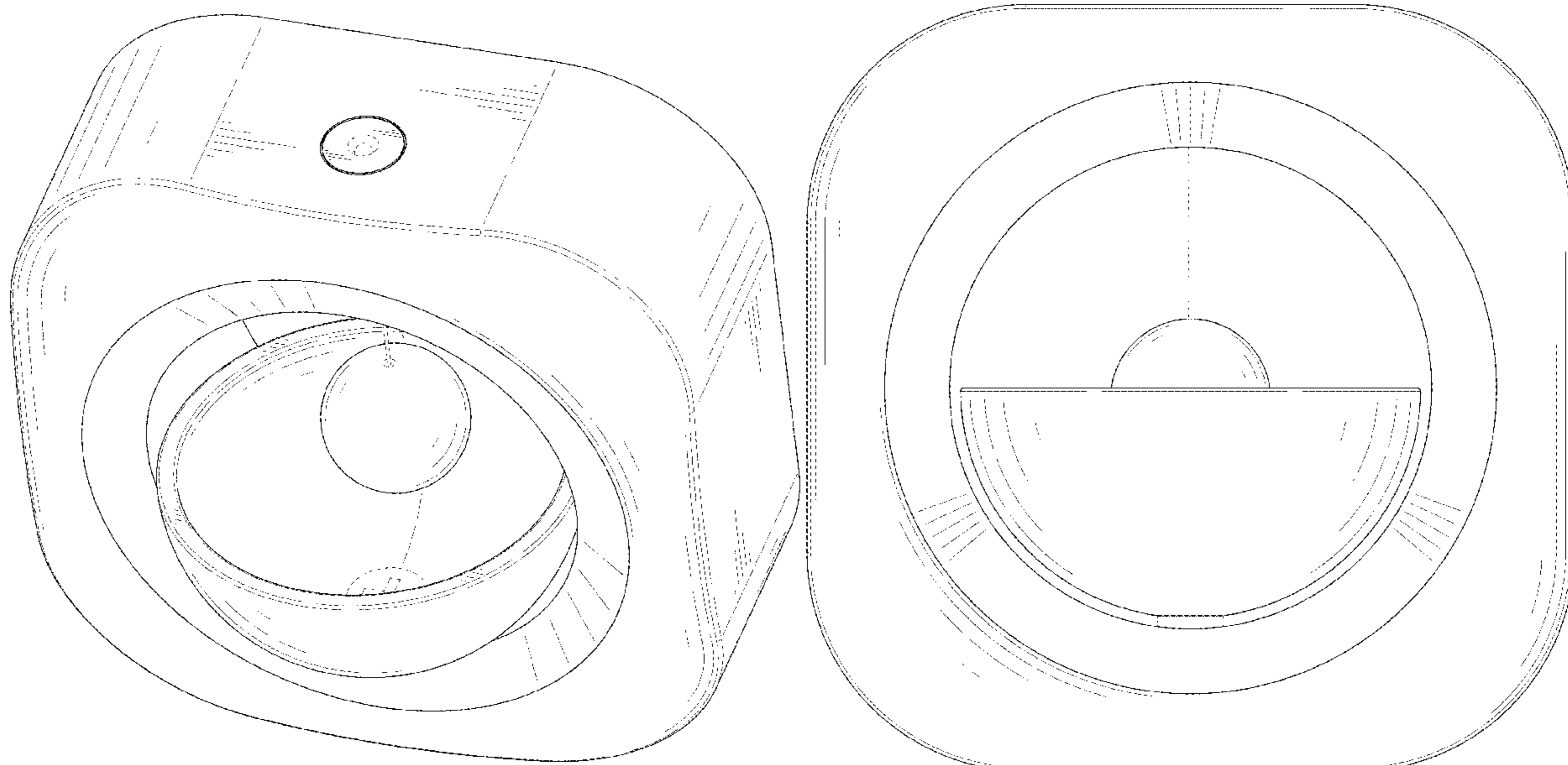
(57) **CLAIM**

The ornamental design for a door harp, as shown and described.

DESCRIPTION

FIG. 1 is a perspective view of a door harp showing my new design;
FIG. 2 is another perspective view thereof;
FIG. 3 is a front elevational view thereof;
FIG. 4 is a rear elevational view thereof;
FIG. 5 is a left side elevational view thereof;
FIG. 6 is a right side elevational view thereof;
FIG. 7 is a top plan view thereof; and,
FIG. 8 is a bottom plan view thereof.
The broken lines in the drawings depict portions of the door harp that form no part of the claimed design.

1 Claim, 8 Drawing Sheets



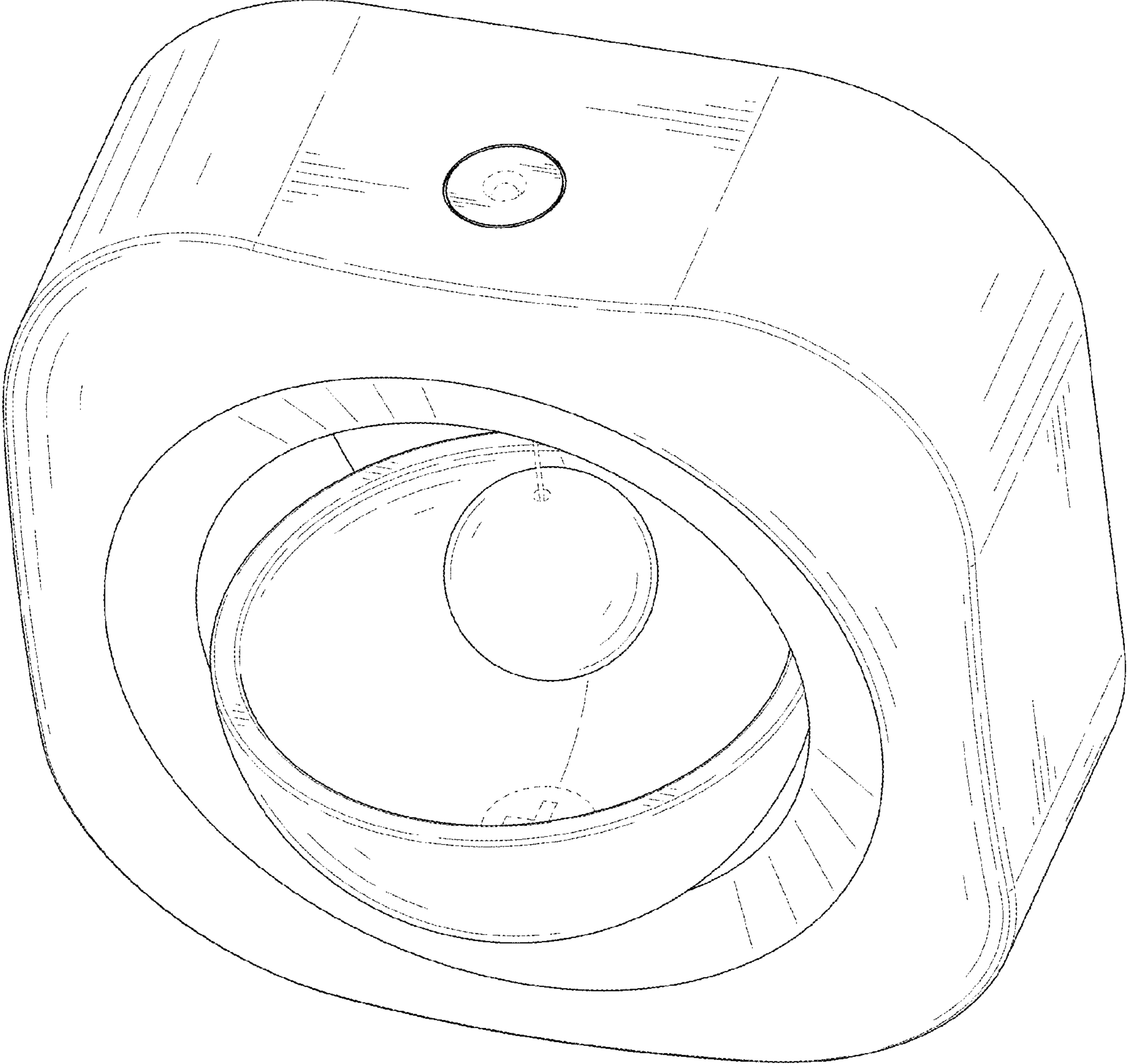


FIG. 1

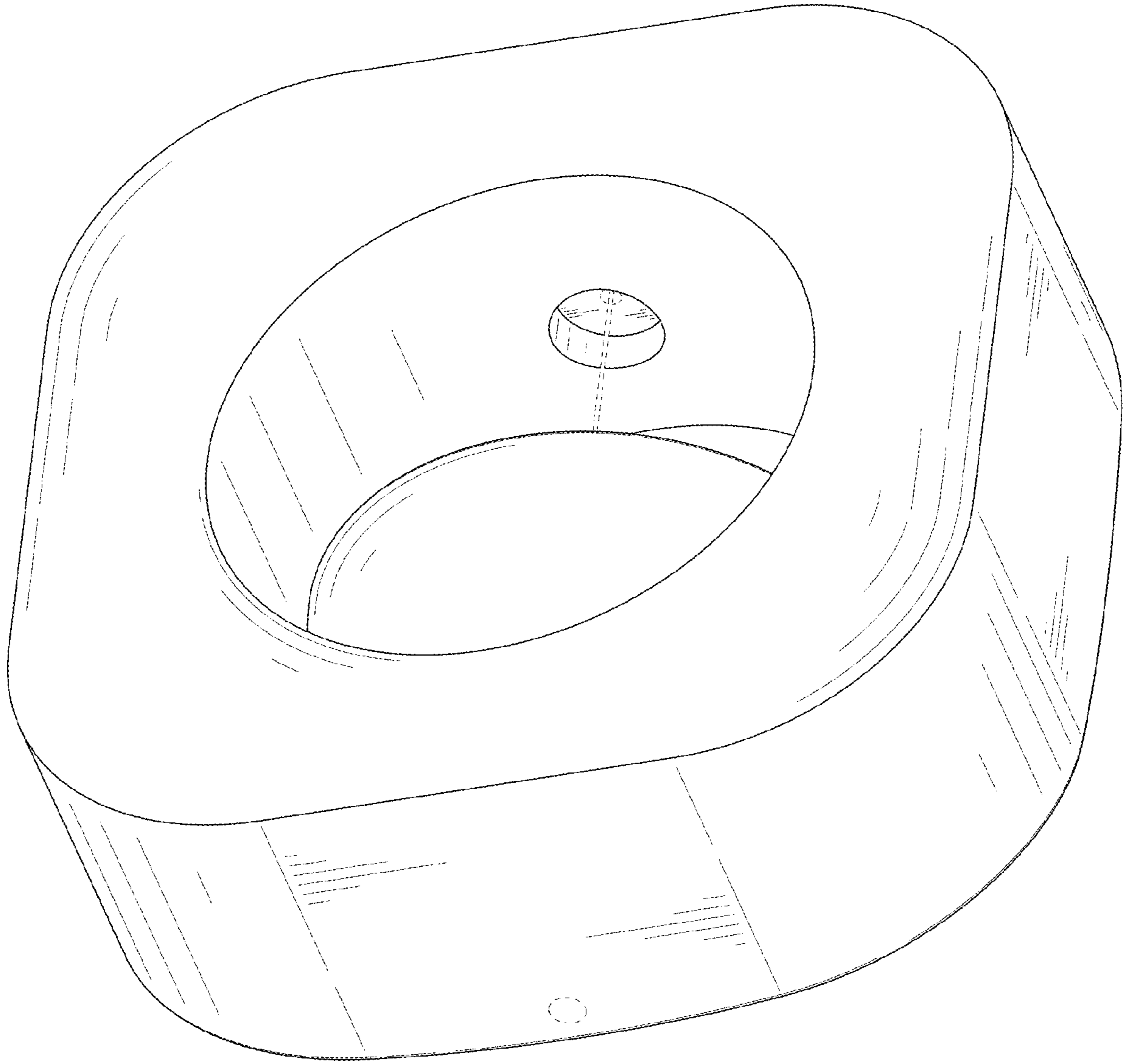


FIG. 2

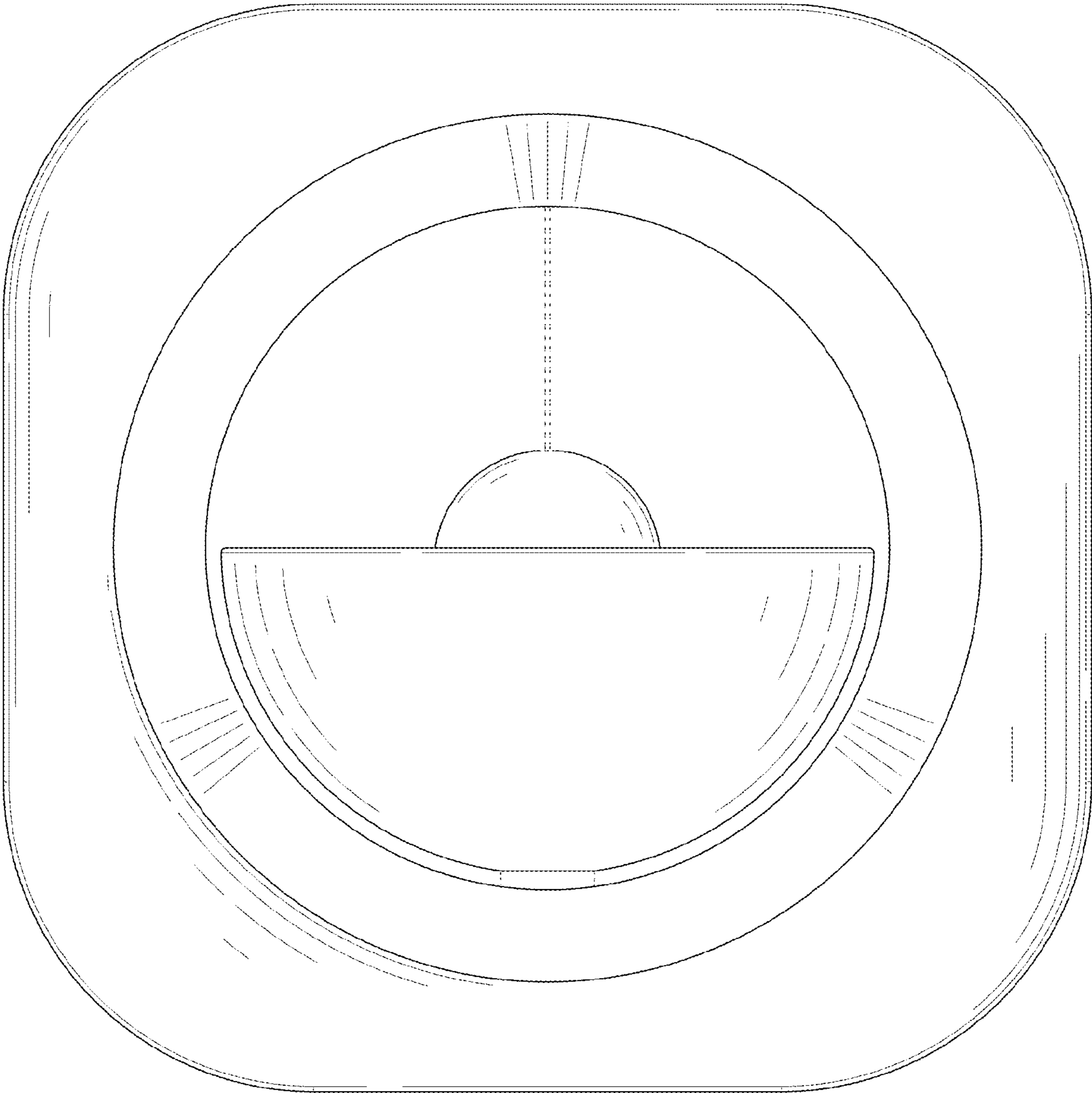


FIG. 3

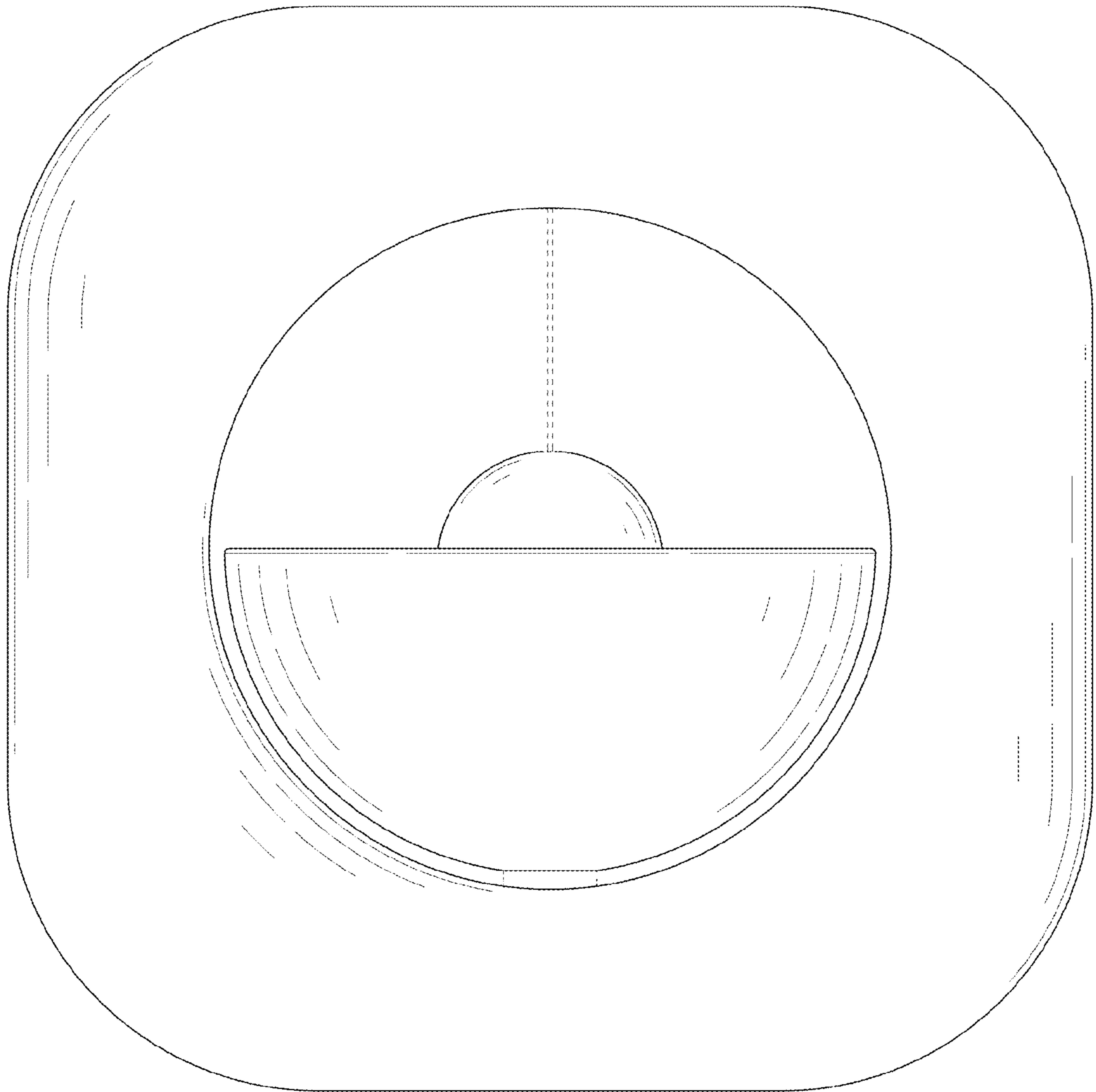


FIG. 4

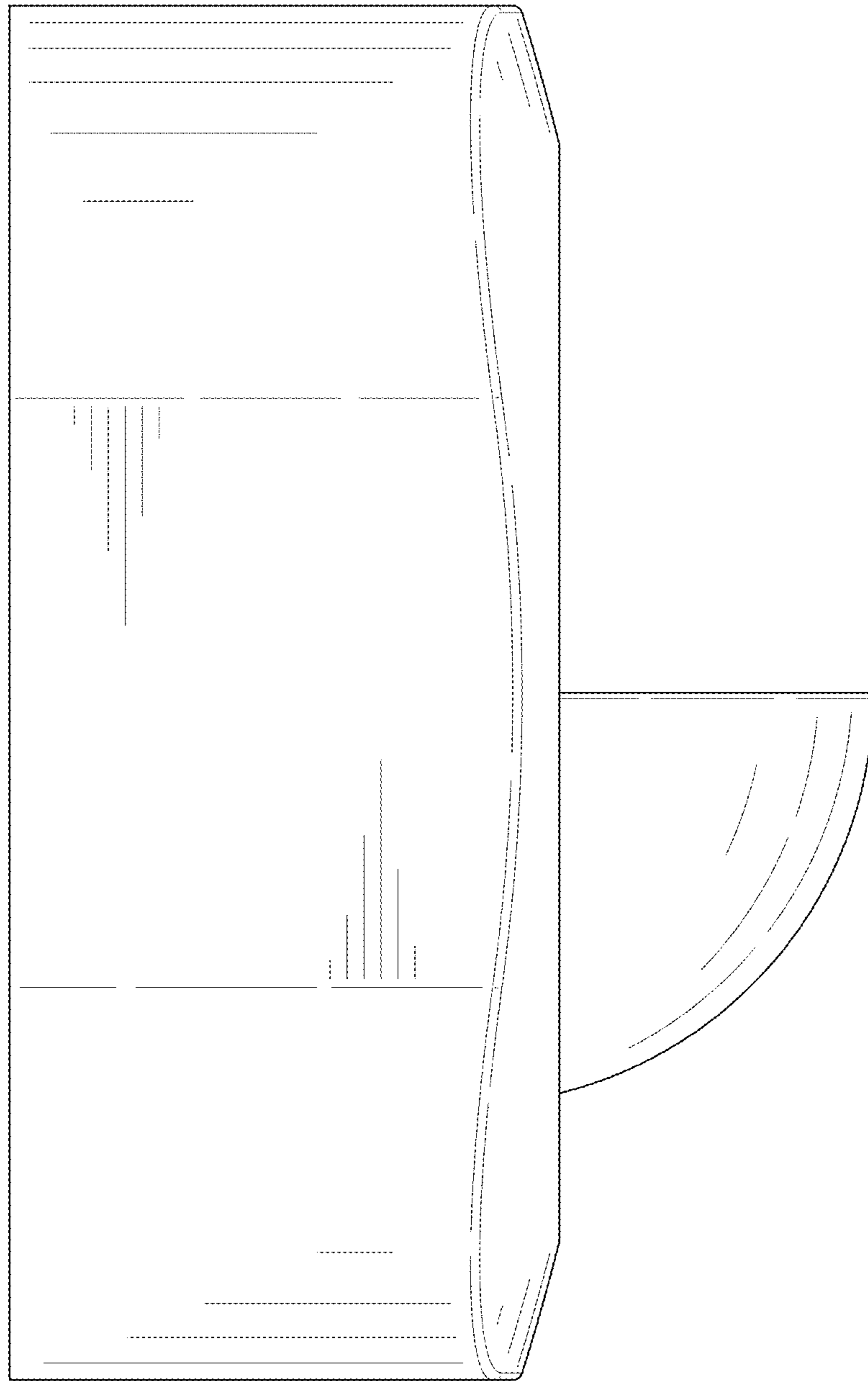


FIG. 5

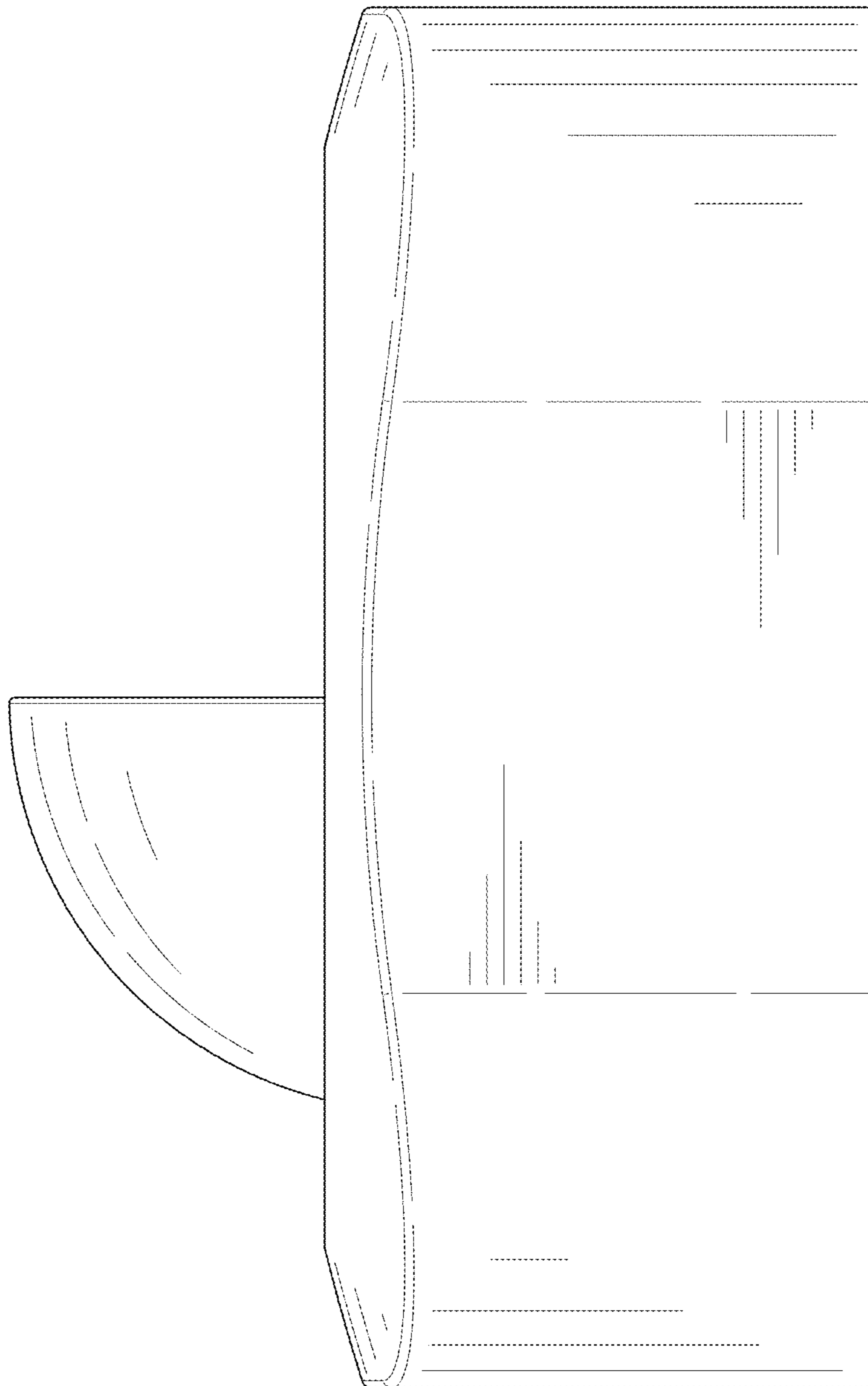


FIG. 6

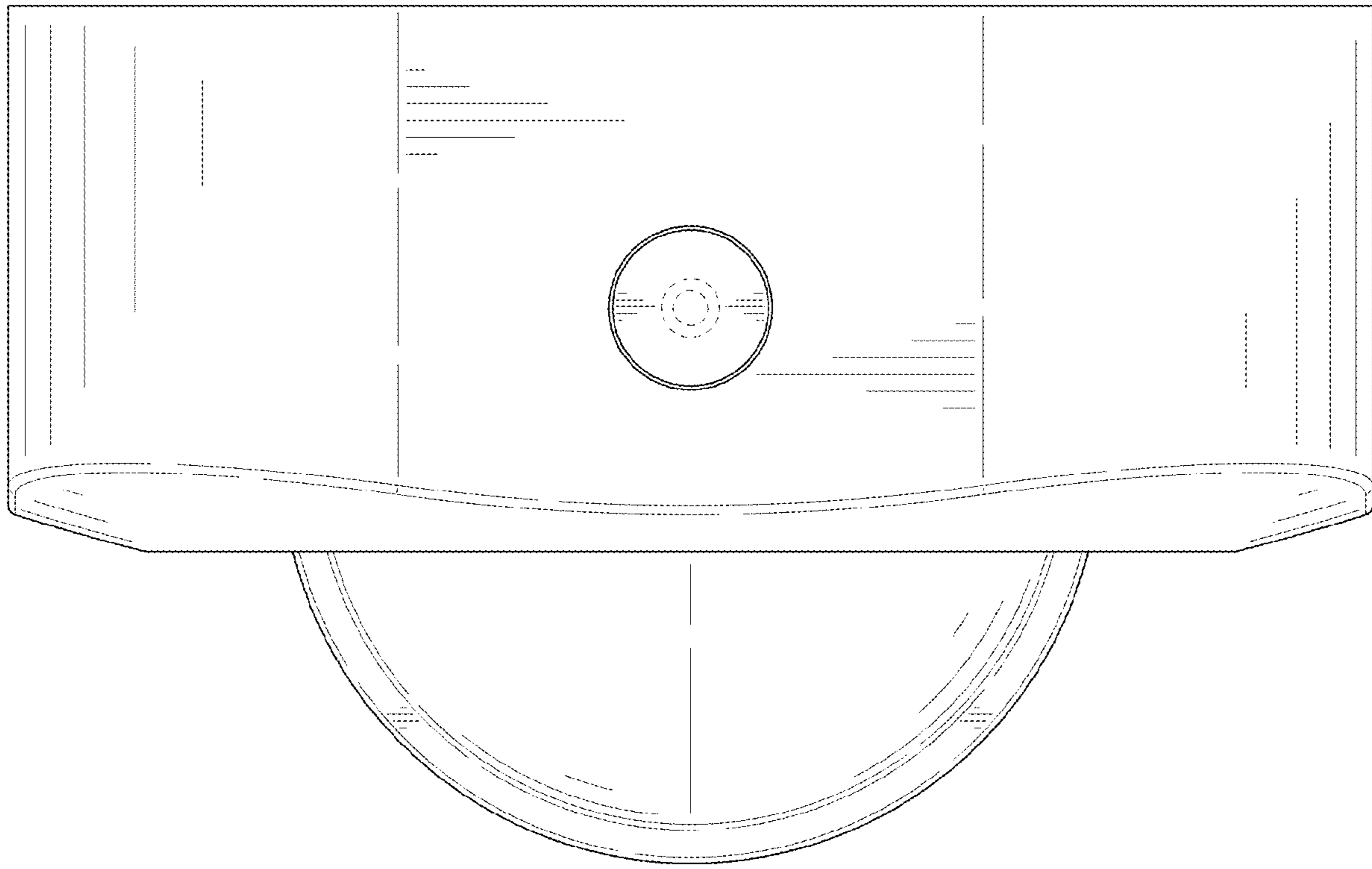


FIG. 7

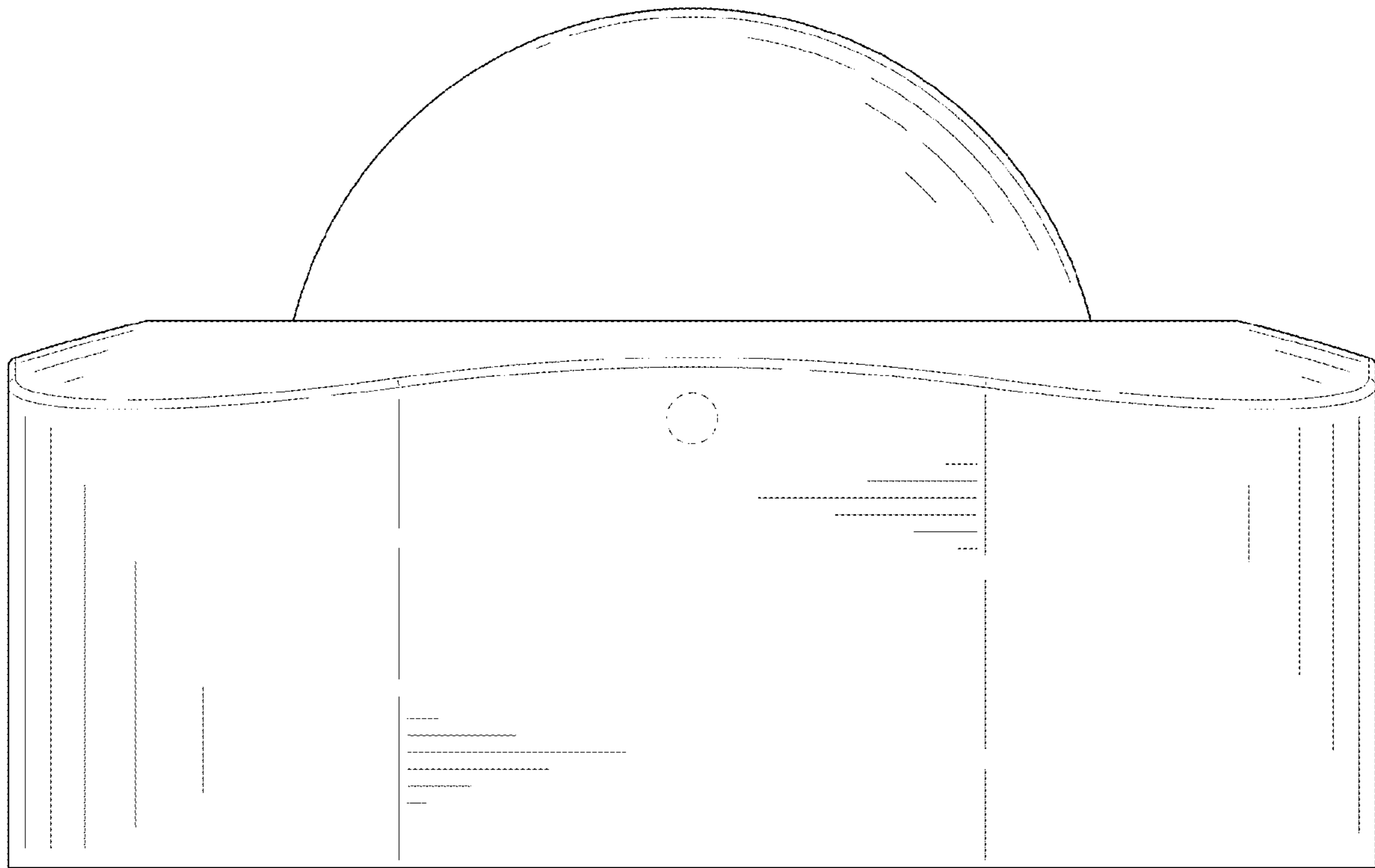


FIG. 8