



US00D955210S

(12) **United States Design Patent**
Chen

(10) **Patent No.:** **US D955,210 S**

(45) **Date of Patent:** **** Jun. 21, 2022**

(54) **CLAMP**

(71) Applicant: **Hong Chen**, Shangyu (CN)

(72) Inventor: **Hong Chen**, Shangyu (CN)

(**) Term: **15 Years**

(21) Appl. No.: **29/697,878**

(22) Filed: **Jul. 11, 2019**

(51) **LOC (13) Cl.** **08-08**

(52) **U.S. Cl.**
USPC **D8/394**

(58) **Field of Classification Search**
USPC D16/242, 245; D8/72, 73, 74, 394, 395,
D8/396, 349, 352, 382; D11/215, 214
CPC . F16L 3/1025; F16L 1/123; F16L 3/08; F16L
3/237; F16L 3/1075; E21B 17/1035;
E21B 19/02; F16B 2/065; F16B 7/0433;
F16B 2/10; Y10T 403/70; Y10T 403/5753
See application file for complete search history.

(56) **References Cited**

U.S. PATENT DOCUMENTS

D256,424 S *	8/1980	Hamilton	D8/51
D282,715 S *	2/1986	Manning	D8/72
D337,934 S *	8/1993	Young	D8/355
D344,226 S *	2/1994	Glynn	D8/73
D365,975 S *	1/1996	Cottone	D15/128
D398,218 S *	9/1998	Coll	D8/356
D400,090 S *	10/1998	Coll	D8/396
D451,985 S *	12/2001	Tigerholm	D23/262
D551,528 S *	9/2007	Vautour	D8/72
8,464,986 B1 *	6/2013	McClure	F16B 7/0433 248/74.1
9,360,135 B1 *	6/2016	McClure	F16B 2/065
D795,683 S *	8/2017	Malin	D8/394
D901,284 S *	11/2020	Chorley	D8/394
D915,858 S *	4/2021	Melaragno	D8/73
D931,866 S *	9/2021	Ke	D14/451
D932,539 S *	10/2021	Hong	D16/242

D935,952 S *	11/2021	Minetto	D12/162
2007/0014628 A1 *	1/2007	Klippel	F16B 2/12 403/321
2007/0187557 A1 *	8/2007	Heath	F16M 13/022 248/62

FOREIGN PATENT DOCUMENTS

CN 06880354 * 10/2021

OTHER PUBLICATIONS

Table Clamp, 65-135mm, Black, Steel, Google.com, [site visited Dec. 22, 2021], Available from internet URL: <https://www.grainger.com/product/3APK5?ef> (Year: NA) (Year: NA) (Year: NA).*

* cited by examiner

Primary Examiner — Philip S Hyder
Assistant Examiner — Rozita Mozaffarian
(74) *Attorney, Agent, or Firm* — Law Offices of Steven W. Weinrieb

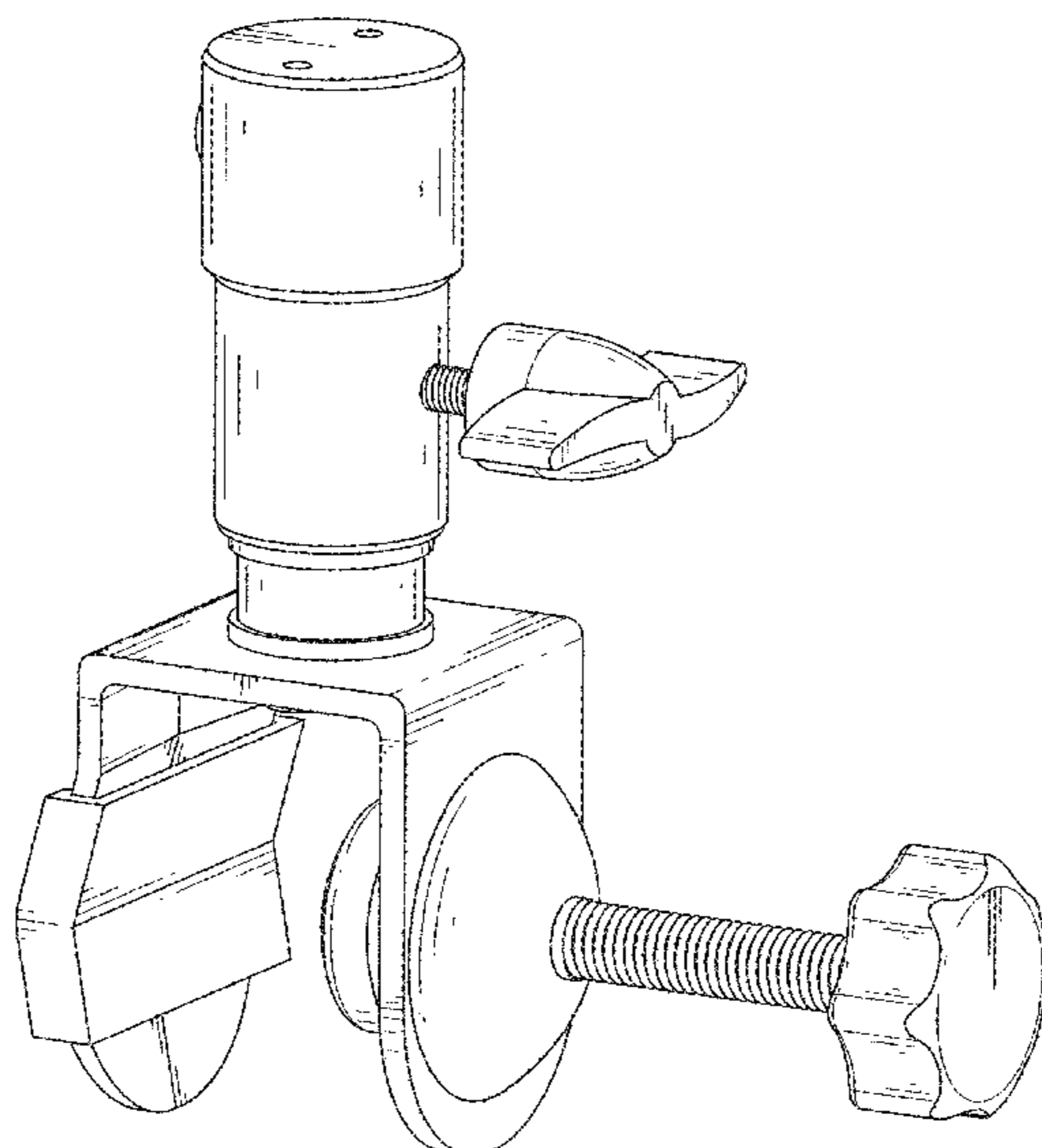
(57) **CLAIM**

The ornamental design for a clamp, as shown and described.

DESCRIPTION

FIG. 1 is a front, right side, top perspective view of a clamp showing my new design;
FIG. 2 is a front, left side, bottom perspective view thereof;
FIG. 3 is a front elevational view thereof;
FIG. 4 is a rear elevational view thereof;
FIG. 5 is a left side elevational view thereof;
FIG. 6 is a right side elevational view thereof;
FIG. 7 is a top plan view thereof; and,
FIG. 8 is a bottom plan view thereof.
The broken lines immediately adjacent to the claimed portions are boundaries, all other broken lines are environmental structures; all the broken lines form no part of the claimed design.

1 Claim, 8 Drawing Sheets



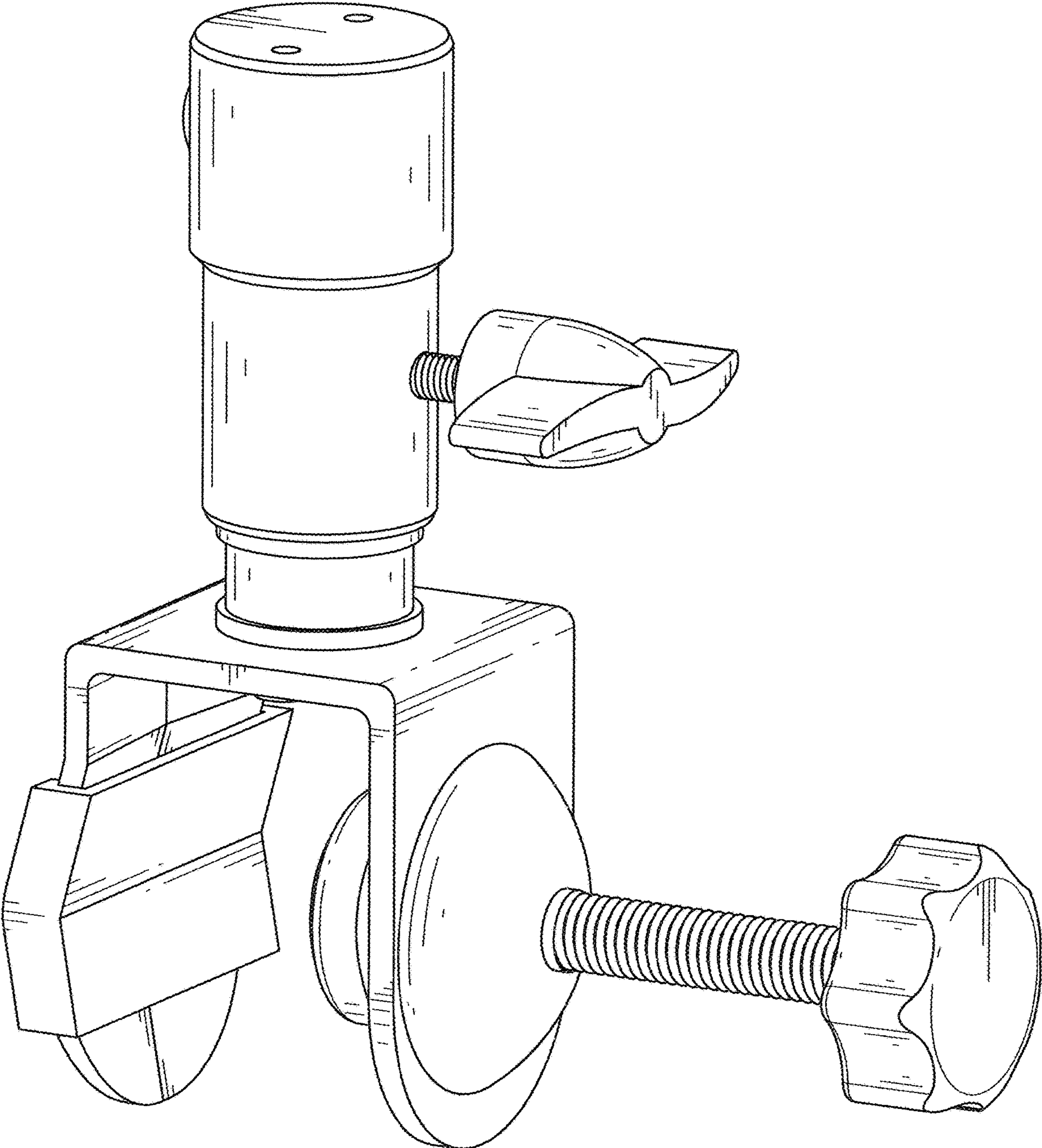


FIG.1

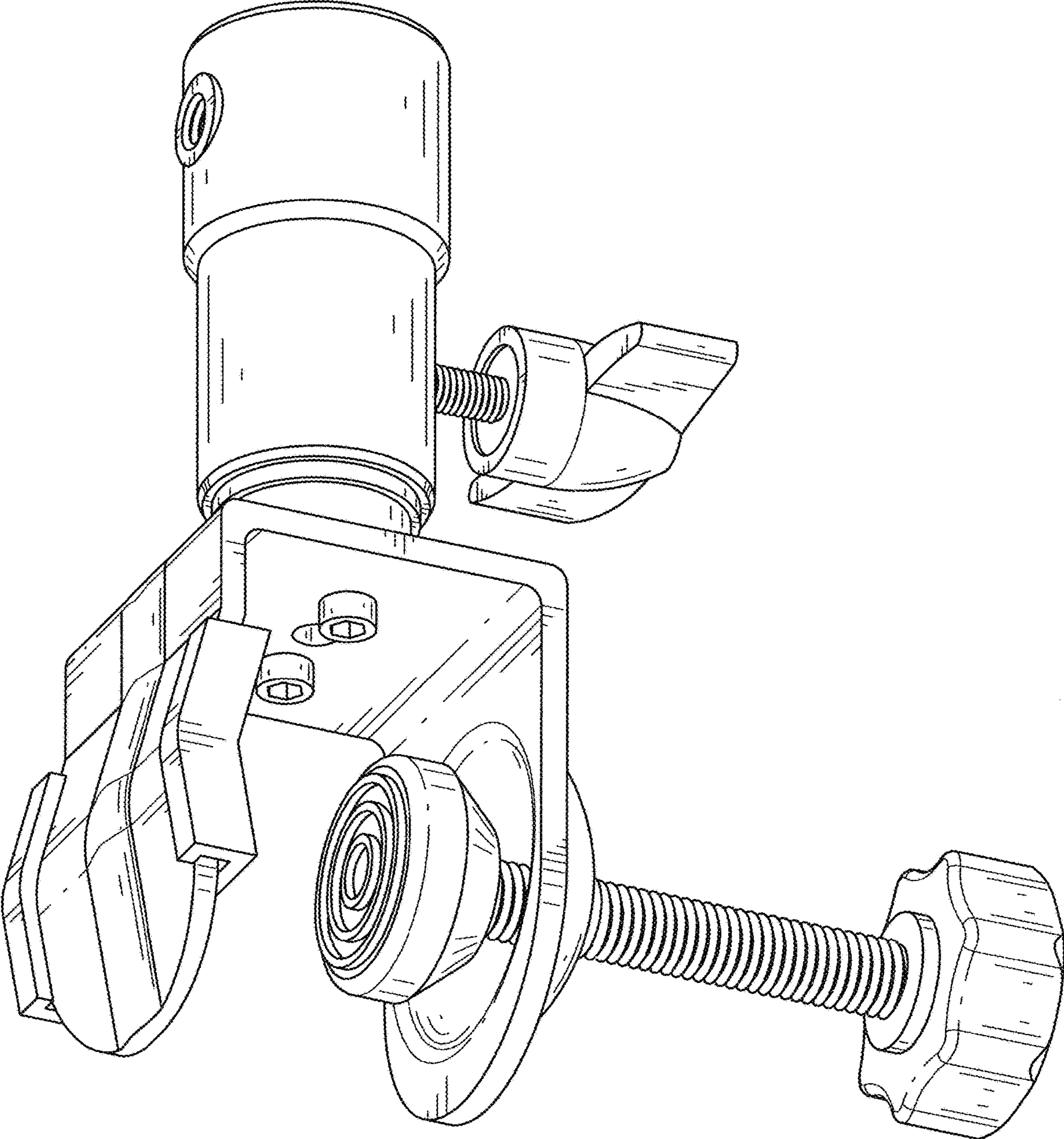


FIG.2

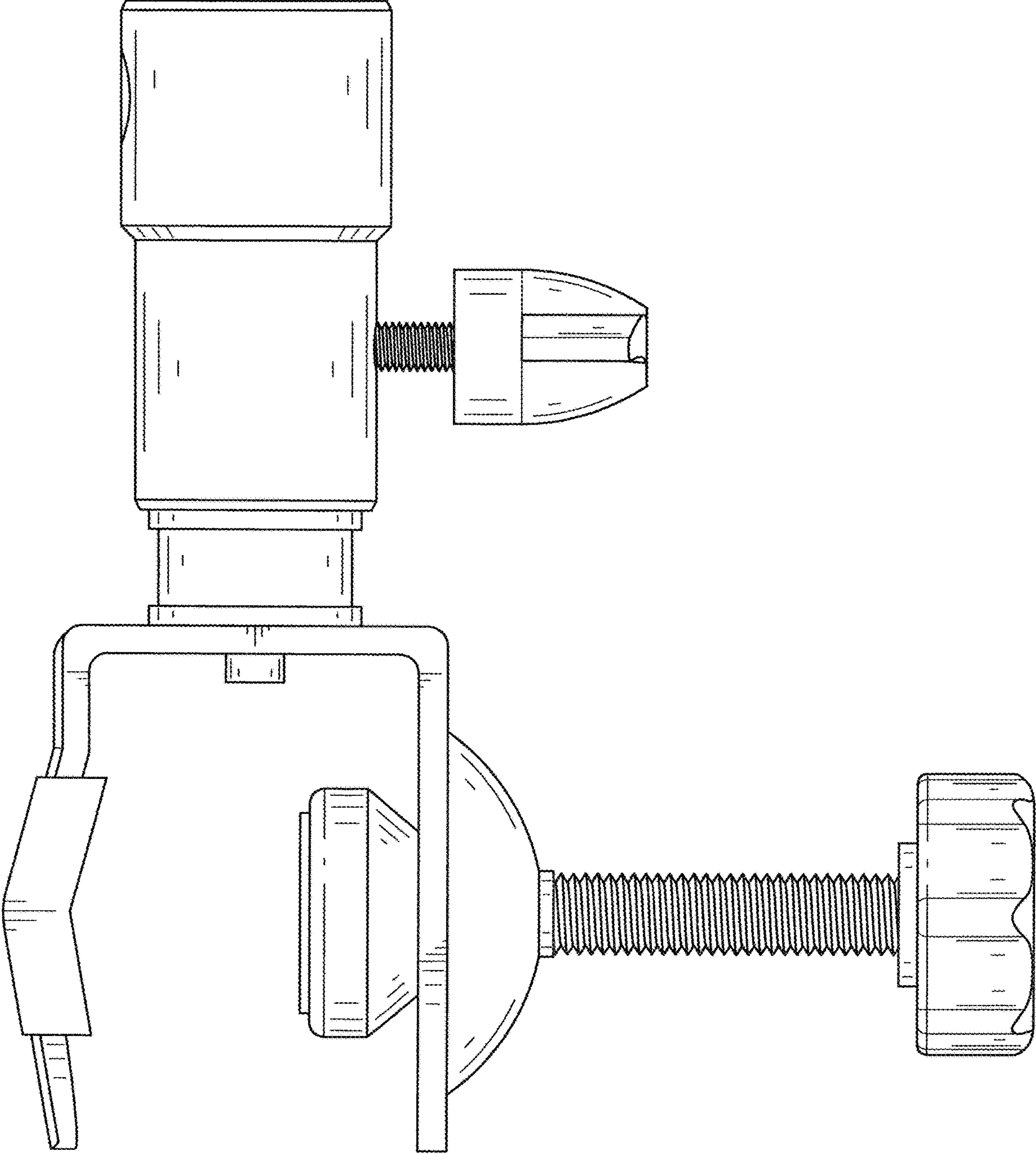


FIG.3

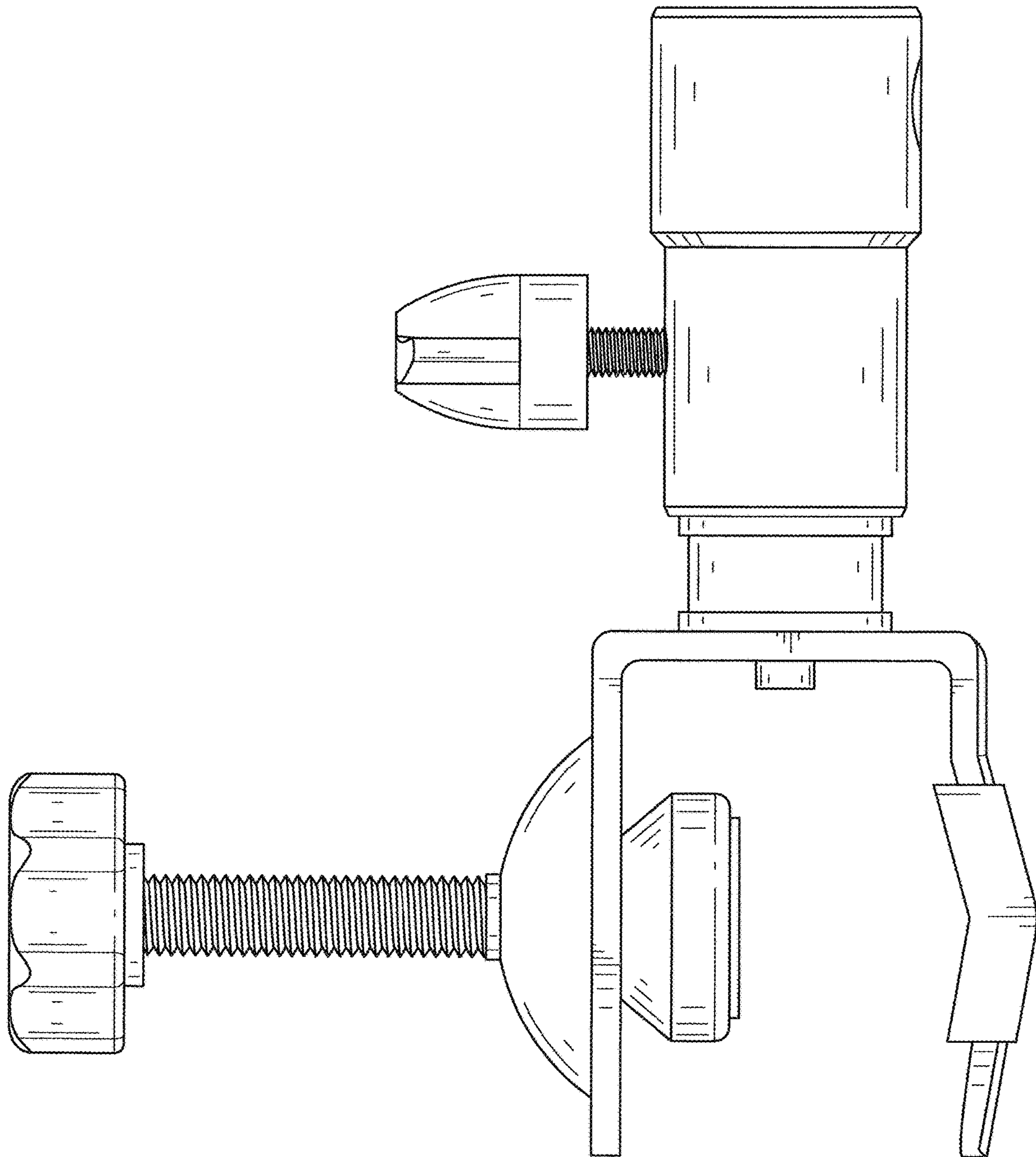


FIG4

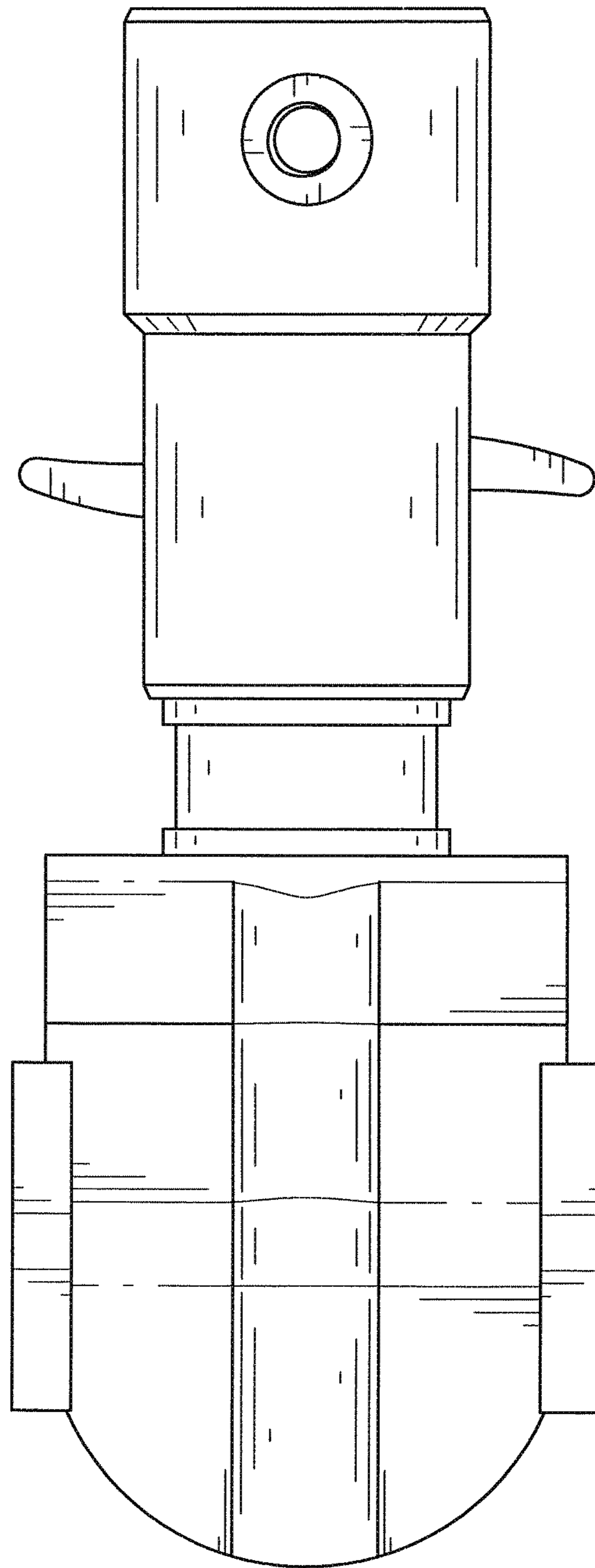


FIG. 5

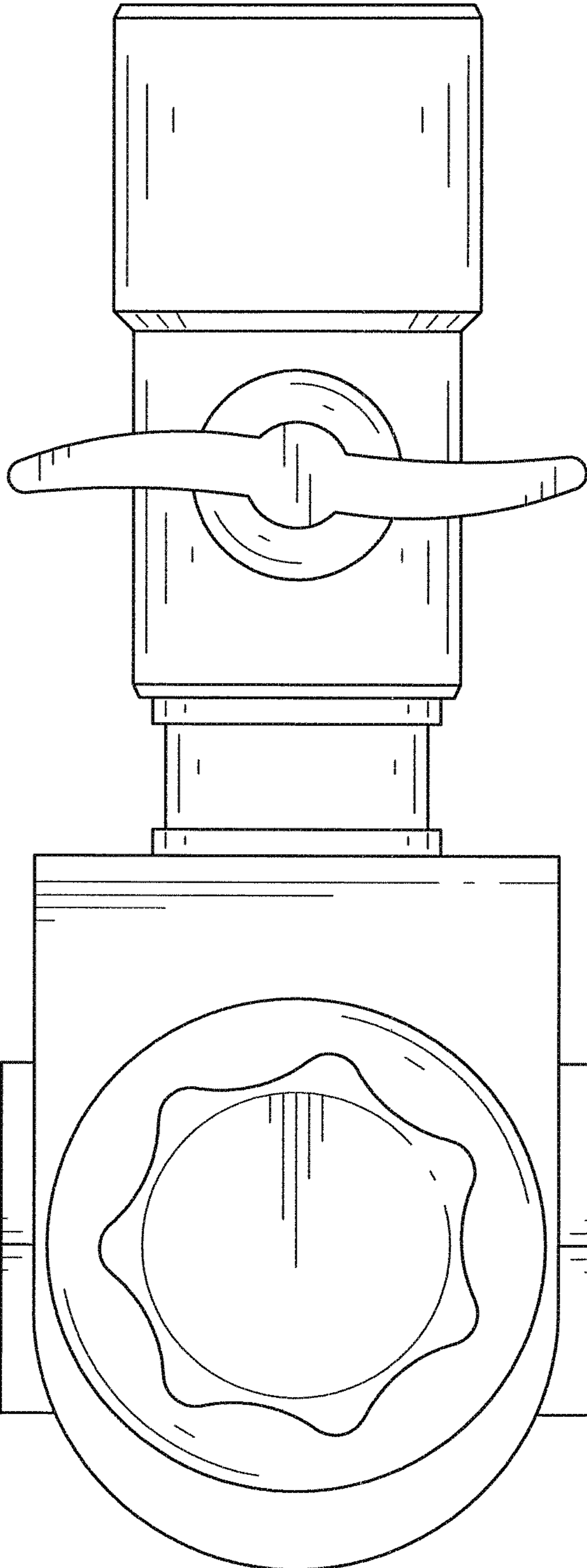


FIG.6

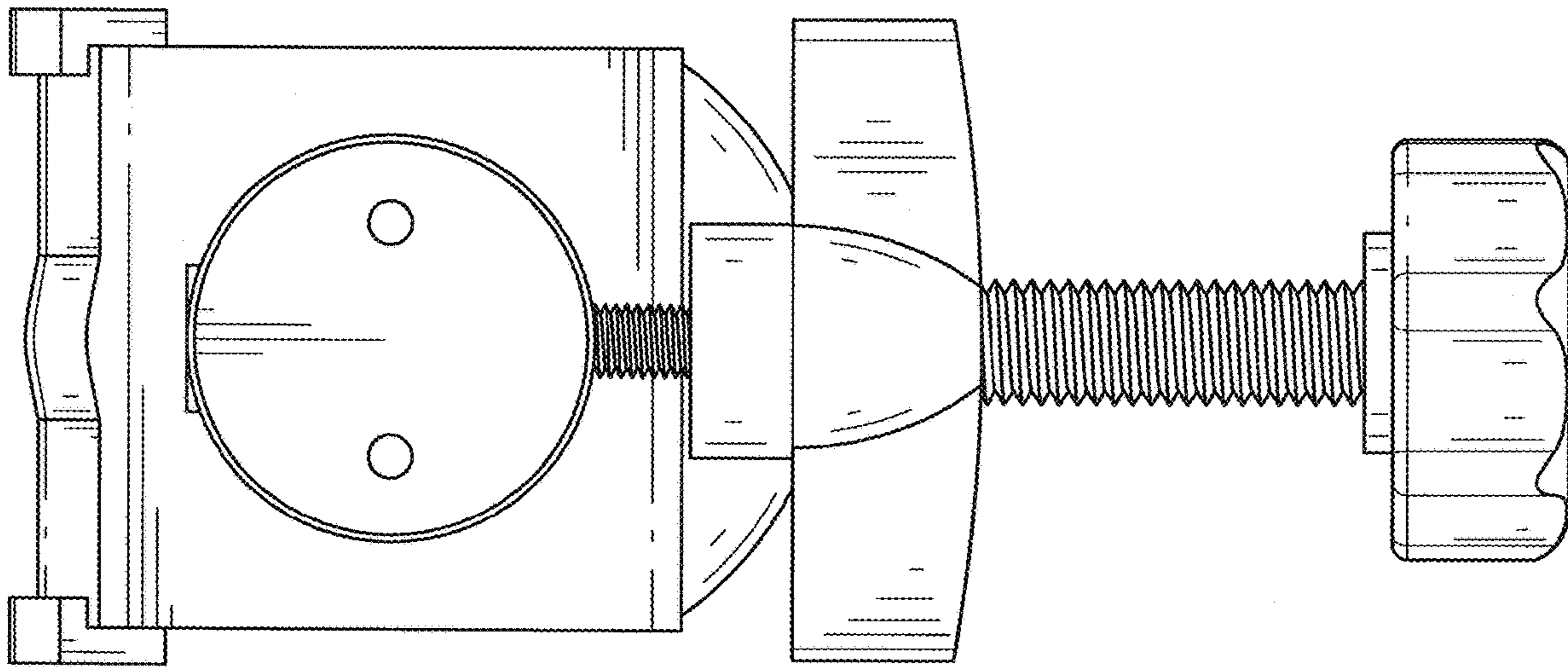


FIG.7

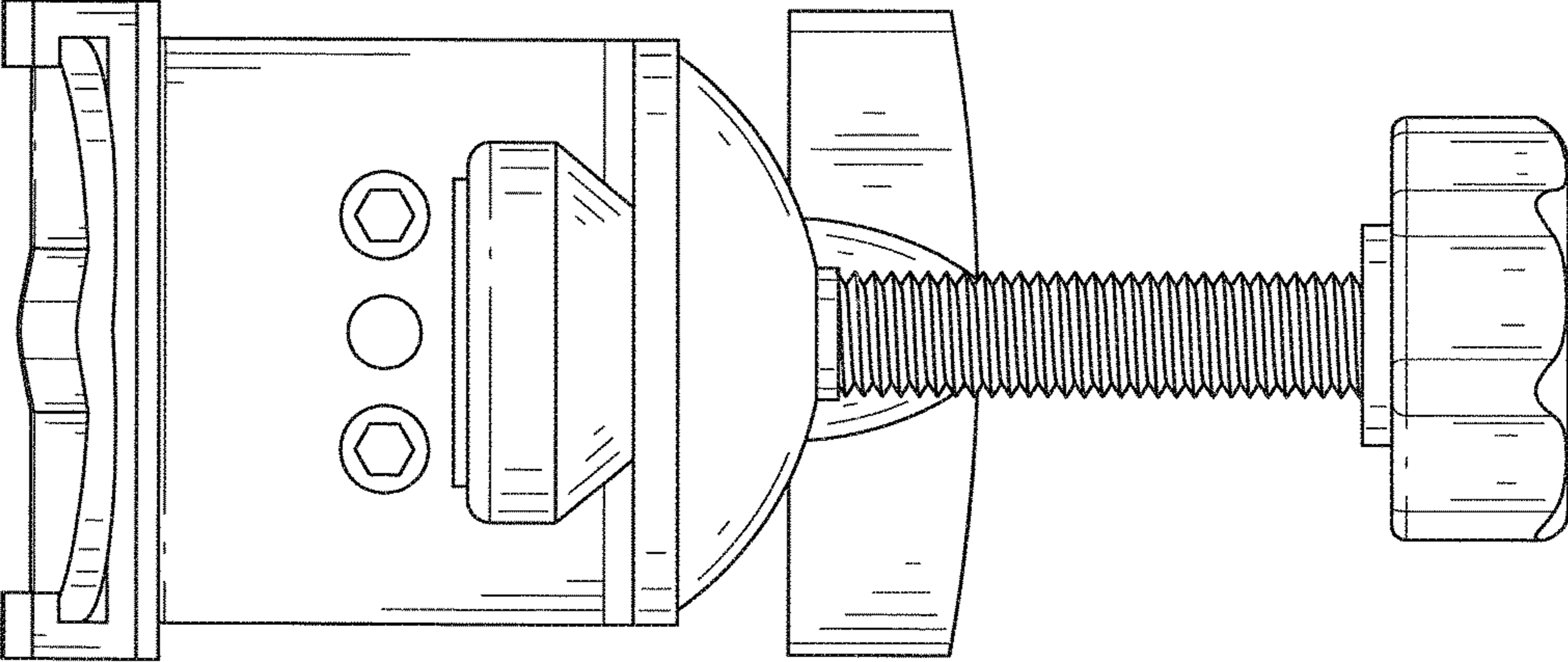


FIG.8