



US00D955207S

(12) **United States Design Patent**
Jiao et al.

(10) **Patent No.:** **US D955,207 S**
(45) **Date of Patent:** **** Jun. 21, 2022**

- (54) **CURTAIN HOLDBACK TIE**
- (71) Applicants: **Yang Jiao**, Hangzhou (CN); **Hui Yan**, Shenzhen (CN)
- (72) Inventors: **Yang Jiao**, Hangzhou (CN); **Hui Yan**, Shenzhen (CN)
- (**) Term: **15 Years**
- (21) Appl. No.: **29/766,744**
- (22) Filed: **Jan. 18, 2021**
- (51) **LOC (13) Cl.** **08-05**
- (52) **U.S. Cl.**
USPC **D8/367; D8/368**
- (58) **Field of Classification Search**
USPC D8/367, 356, 354, 349, 18, 105, 368
CPC A45F 5/021; A44B 13/0029; F16B 45/00; F16M 13/02
See application file for complete search history.

(56) **References Cited**

U.S. PATENT DOCUMENTS

- 1,377,066 A * 5/1921 Garrabrant A47H 19/00 24/1
- 2,365,664 A * 12/1944 Troensegaard A47H 19/00 160/349.2
- D221,056 S 7/1971 Minoff
- 3,662,080 A * 5/1972 Hale G10G 7/00 84/477 B
- 3,662,081 A * 5/1972 Hale G10G 7/00 84/477 B
- D225,755 S * 1/1973 Hale D21/400
- 3,810,411 A * 5/1974 Schambacher G10G 7/00 84/477 B
- 4,383,387 A * 5/1983 Puskar A63B 67/086 446/236
- D536,040 S * 1/2007 Orr D21/400
- D713,031 S * 9/2014 McCormick D24/135
- 9,084,502 B2 7/2015 Lapadula

- D789,541 S * 6/2017 Brunst D24/162
- D813,654 S 3/2018 Erickson
- D848,246 S 5/2019 Jones
- D866,304 S 11/2019 Qi
- D891,233 S 7/2020 Yu
- D910,424 S * 2/2021 Yu D8/368
- D911,154 S * 2/2021 Jiao D8/368
- D918,022 S * 5/2021 Yu D8/368
- D924,671 S * 7/2021 Yan D8/368
- D924,672 S * 7/2021 Zhang D8/368
- 2003/0106556 A1 * 6/2003 Alperovich A62B 23/06 128/206.11

(Continued)

Primary Examiner — Patricia A Palasik

(74) *Attorney, Agent, or Firm* — Law Offices of Steven W. Weinrieb

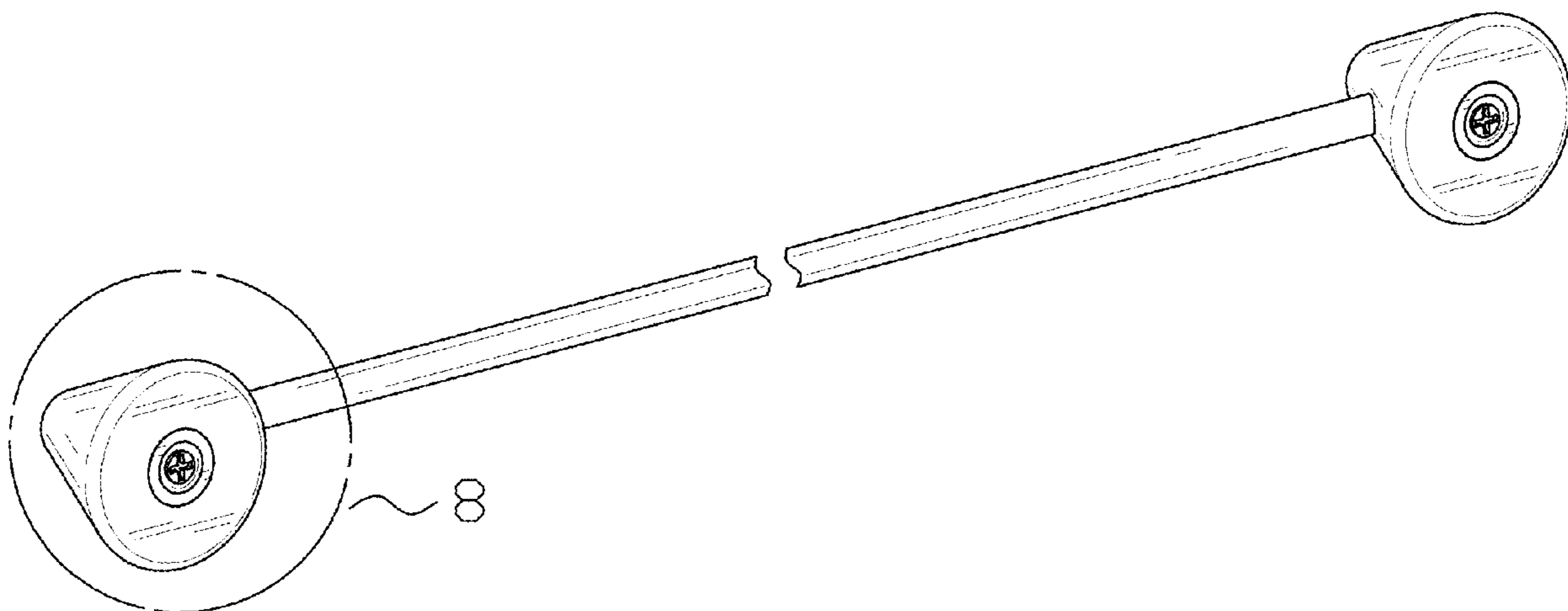
(57) **CLAIM**

The ornamental design for a curtain holdback tie, as shown and described.

DESCRIPTION

FIG. 1 is a front, left side, top perspective view of the curtain holdback tie showing my new design;
 FIG. 2 is a front elevational view thereof;
 FIG. 3 is a rear elevational view thereof;
 FIG. 4 is a right side elevational view thereof;
 FIG. 5 is a left side elevational view thereof;
 FIG. 6 is a top plan view thereof;
 FIG. 7 is a bottom plan view thereof;
 FIG. 8 is an enlarged detailed view of the region denoted by the No. 8 in FIG. 1;
 FIG. 9 is a top plan view thereof when the ends of the curtain holdback tie are brought together for use; and,
 FIG. 10 is a top plan view thereof showing the curtain holdback tie in use in connection with curtains.
 The curtain holdback tie is shown with a symbolic break in its length. The appearance of any portion of the article between the break lines forms no part of the claimed design.

1 Claim, 9 Drawing Sheets



(56)

References Cited

U.S. PATENT DOCUMENTS

2004/0065065	A1 *	4/2004	Van Patten	A62B 23/06 55/385.1
2007/0193233	A1 *	8/2007	Chen	A62B 23/06 55/385.1
2010/0147307	A1 *	6/2010	Narciso	A62B 23/06 128/206.11
2012/0138245	A1 *	6/2012	Affonso	A47H 19/00 160/349.2

* cited by examiner

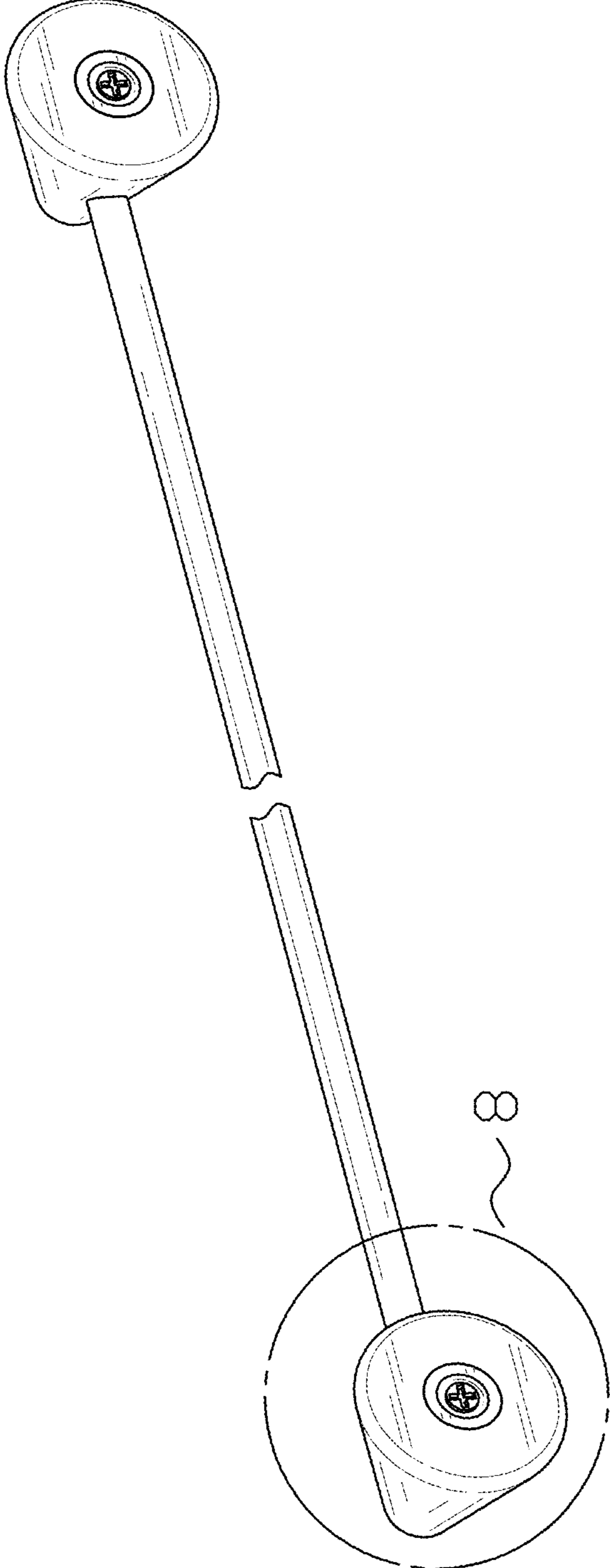


FIG.1

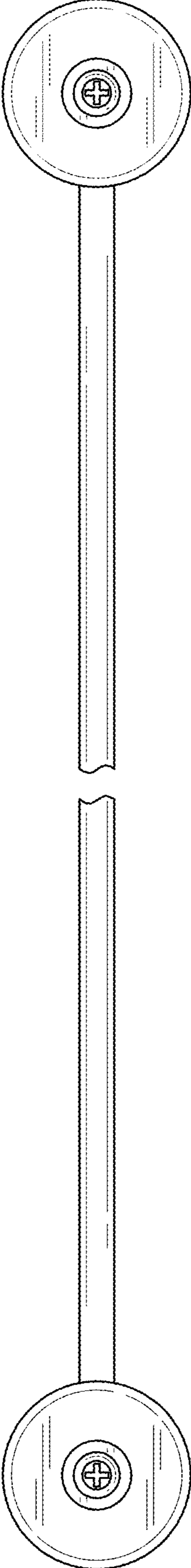


FIG.2

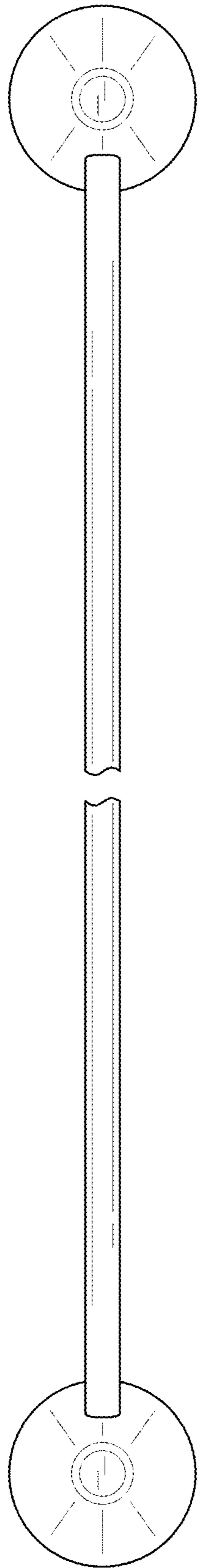


FIG. 3

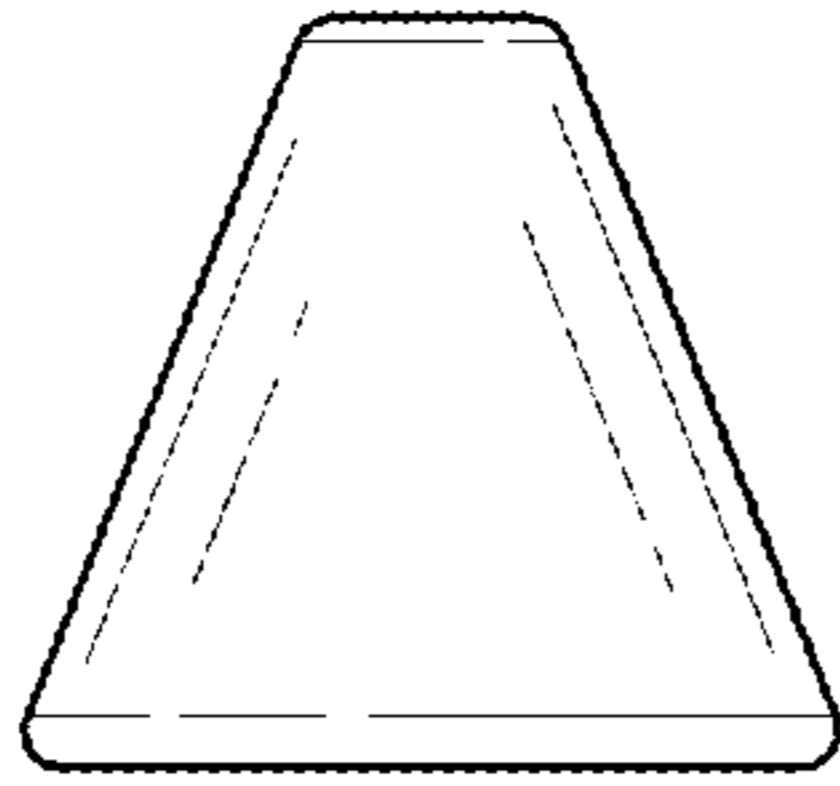


FIG.5

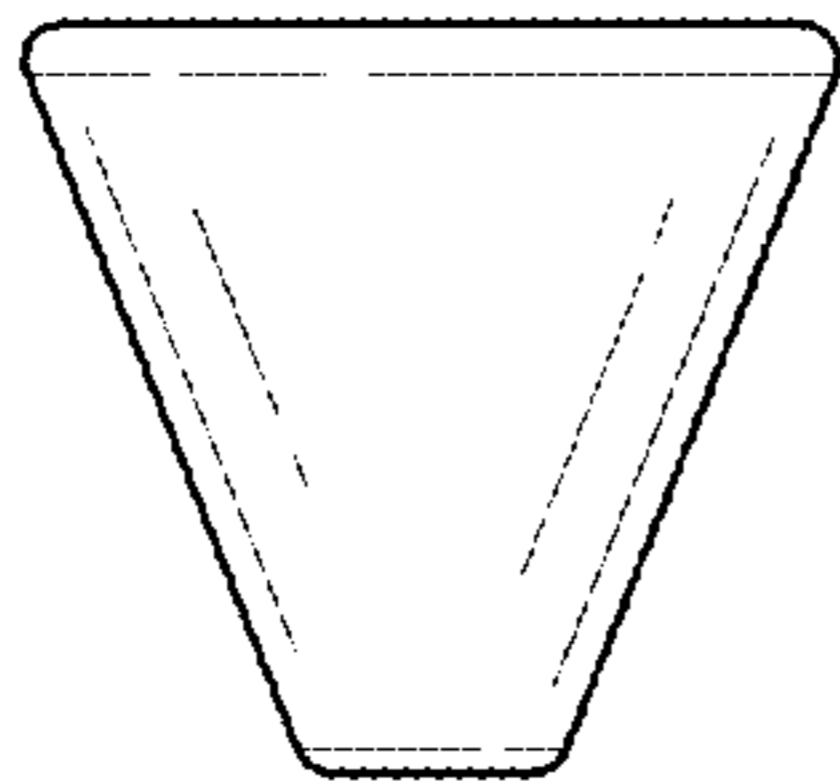


FIG.4

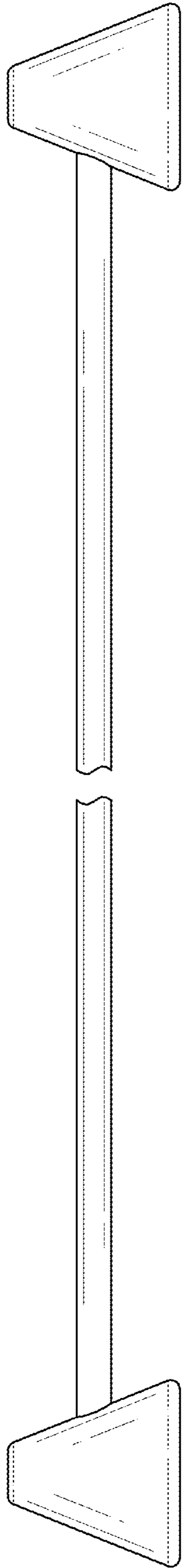


FIG.6

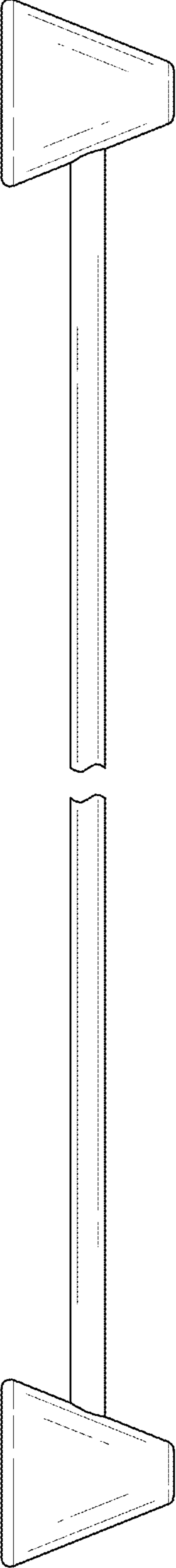


FIG. 7

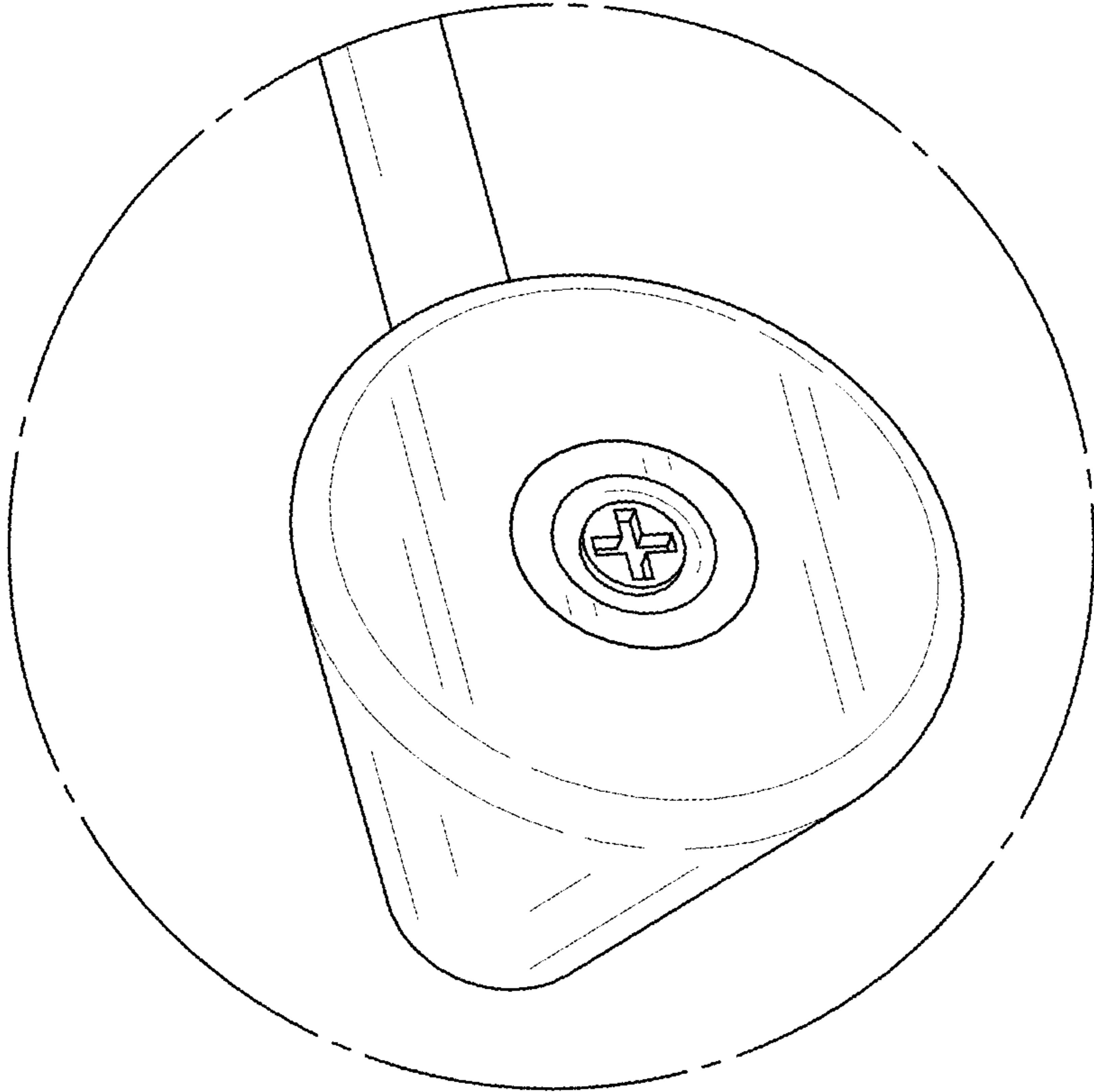


FIG. 8

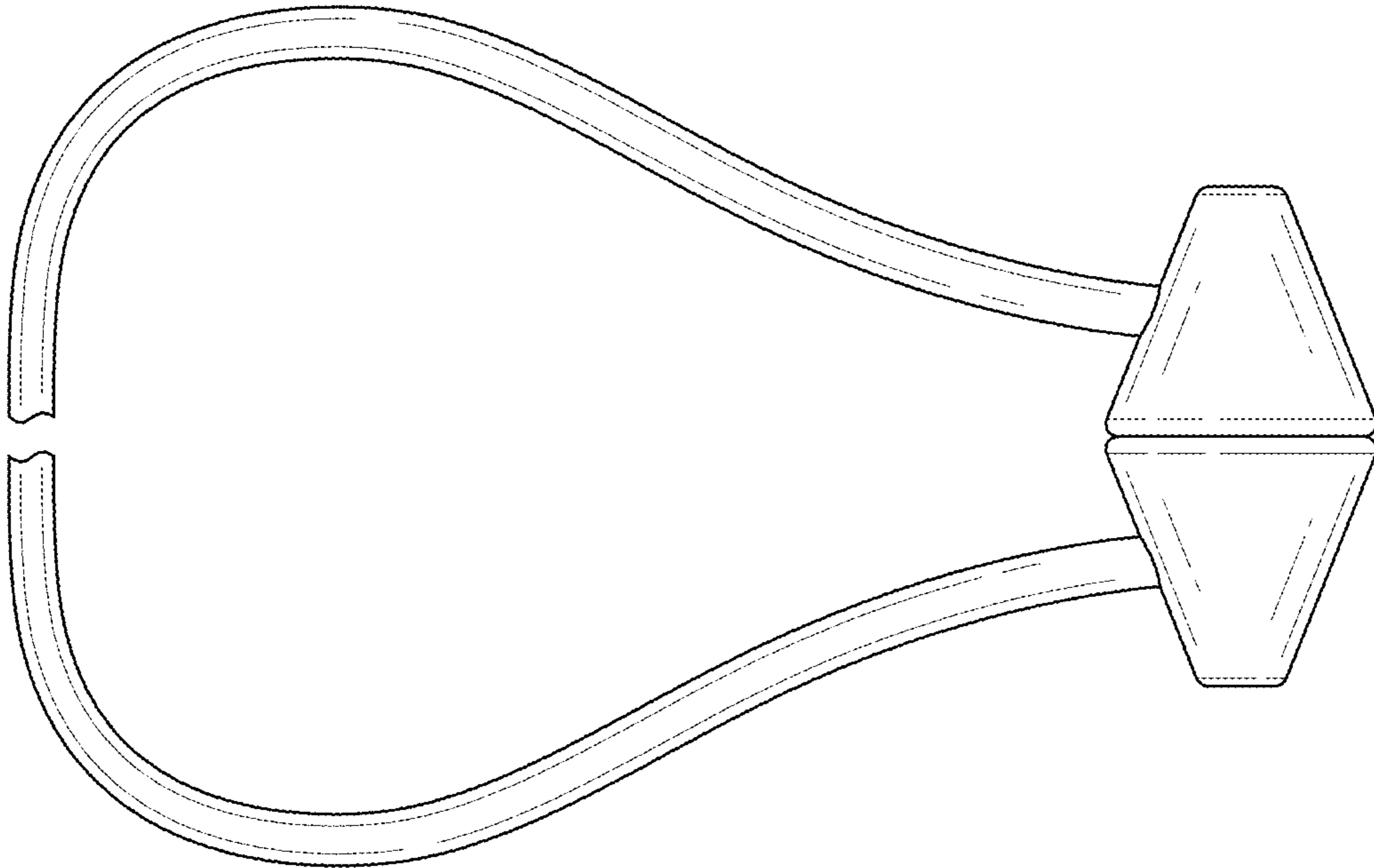


FIG. 9

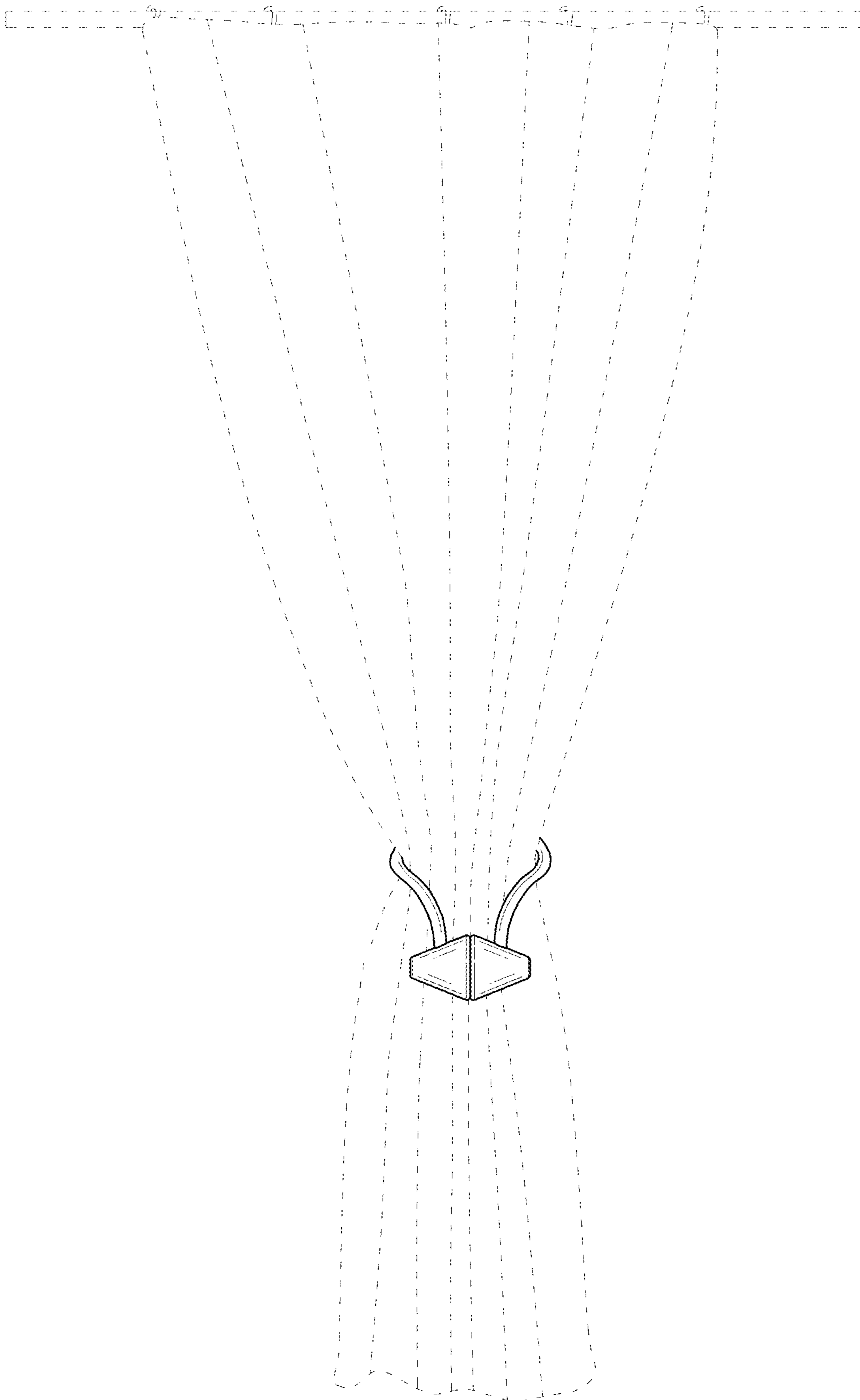


FIG.10