



US00D955205S

(12) **United States Design Patent**
Hu

(10) **Patent No.:** **US D955,205 S**
(45) **Date of Patent:** **** Jun. 21, 2022**

(54) **CUP TURNER FOAM**

(71) Applicant: **Chaolan Hu**, Nanchang (CN)

(72) Inventor: **Chaolan Hu**, Nanchang (CN)

(**) Term: **15 Years**

(21) Appl. No.: **29/770,004**

(22) Filed: **Feb. 9, 2021**

(51) **LOC (13) Cl.** **08-05**

(52) **U.S. Cl.**
USPC **D8/354; D8/71**

(58) **Field of Classification Search**
USPC D8/71, 105, 107, 333, 349, 354, 356,
D8/358, 360, 360.1, 367, 373, 382, 383,
D8/394-396, 400; D23/261; D26/38;
D32/40-45, 50-52; D15/122, 123, 125,
D15/130, 138, 140, 141, 142
CPC ... F16H 7/06; F16H 7/12; F16H 55/08; F16H
55/30; E02F 5/06; E02F 5/14
See application file for complete search history.

(56) **References Cited**

U.S. PATENT DOCUMENTS

- 450,378 A * 4/1891 Robinson B24D 15/00
451/461
- D271,817 S * 12/1983 Collin D32/40
- D362,382 S * 9/1995 Cloud
- D371,957 S * 7/1996 Hinton D8/354
- D382,463 S * 8/1997 Cloud D8/354
- D478,269 S * 8/2003 Snyder D23/249
- D559,080 S * 1/2008 Boote D8/354
- D571,192 S * 6/2008 Stomp
- D641,611 S * 7/2011 Minayoshi D8/354
- D691,873 S * 10/2013 Ganski D8/356
- D691,874 S * 10/2013 Ganski
- D691,877 S * 10/2013 Ganski
- D754,919 S * 4/2016 Alarcon et al.
- D768,947 S * 10/2016 Mantelli et al.
- D798,059 S * 9/2017 Huy D4/101
- D878,694 S * 3/2020 Carlson D32/40
- D889,232 S * 7/2020 Qin

- D901,115 S * 11/2020 Carlson D32/40
- D915,476 S * 4/2021 Luo D15/122
- 2007/0246613 A1 * 10/2007 Kennedy H02G 3/32
248/56

OTHER PUBLICATIONS

amazon.com; Manufactured by: Blulu; Cup Turner Foam Set, 10 Pieces Tumbler Foams for 1/2 Inch PVC Pipe, Tumbler Spinner Foams Fit 30 oz 20 oz 10 oz Tumbler Bottles Cups 25 oz, 17 oz, 12 oz Cola Shaped Water Bottles; dated Sep. 29, 2020; 9pgs. (Year: 2020).*

https://www.amazon.com/Turner-Foam-Tumbler-Spmner-Bottles/dp/B08GKWHGT8?ret=sr_1_2?dchild=1&keywords=Blulu%2BCUP%2BTURNER%2BFOAM%2BSET&qid=1635124479&qsid=135-9057130-6598420&sr=8-2&sres=B08GKWHGT8%2CB09C1KB8DB%2CB08M94VB3H%2CB088GV545C%2CB0919HB8MQ%2CB094VK185F%2CB09327GJKG%2CB08HK98PRX%2CB08MBLLNX%2CB08P4WD5LX%2CB0896ZVSH8%2CB08VWG4NJ7%2CB08ZK4VLF2%2CB07Z383R1X

* cited by examiner

Primary Examiner — Keli L Hill

Assistant Examiner — Harold E Blackwell, II

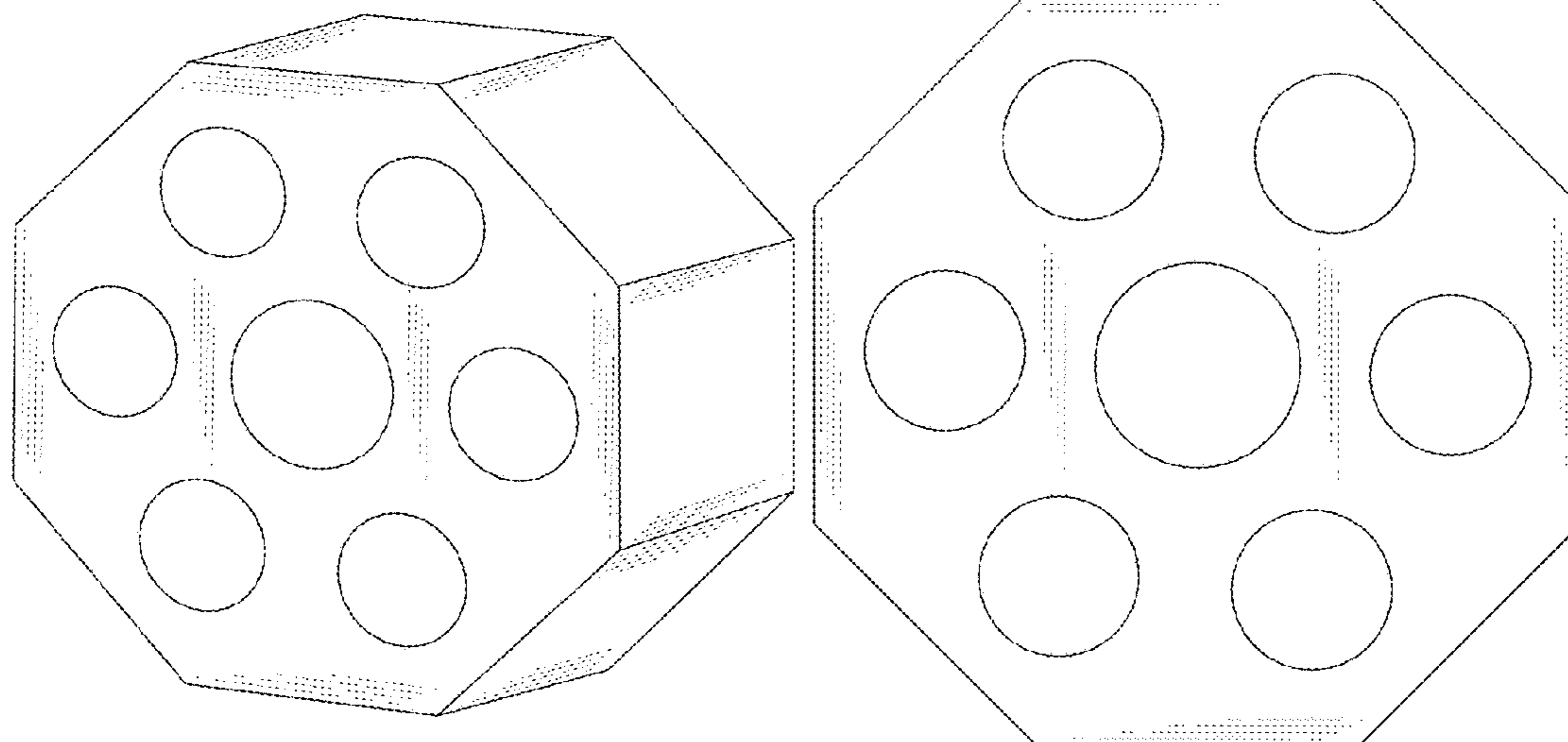
(57) **CLAIM**

The ornamental design for a cup turner foam, as shown and described.

DESCRIPTION

FIG. 1 is a perspective view of a cup turner foam showing my new design;
FIG. 2 is a front elevation view thereof;
FIG. 3 is a rear elevation view thereof;
FIG. 4 is a left side elevation view thereof;
FIG. 5 is a right side elevation view thereof;
FIG. 6 is a top plan view thereof; and,
FIG. 7 is a bottom plan view thereof.

1 Claim, 7 Drawing Sheets



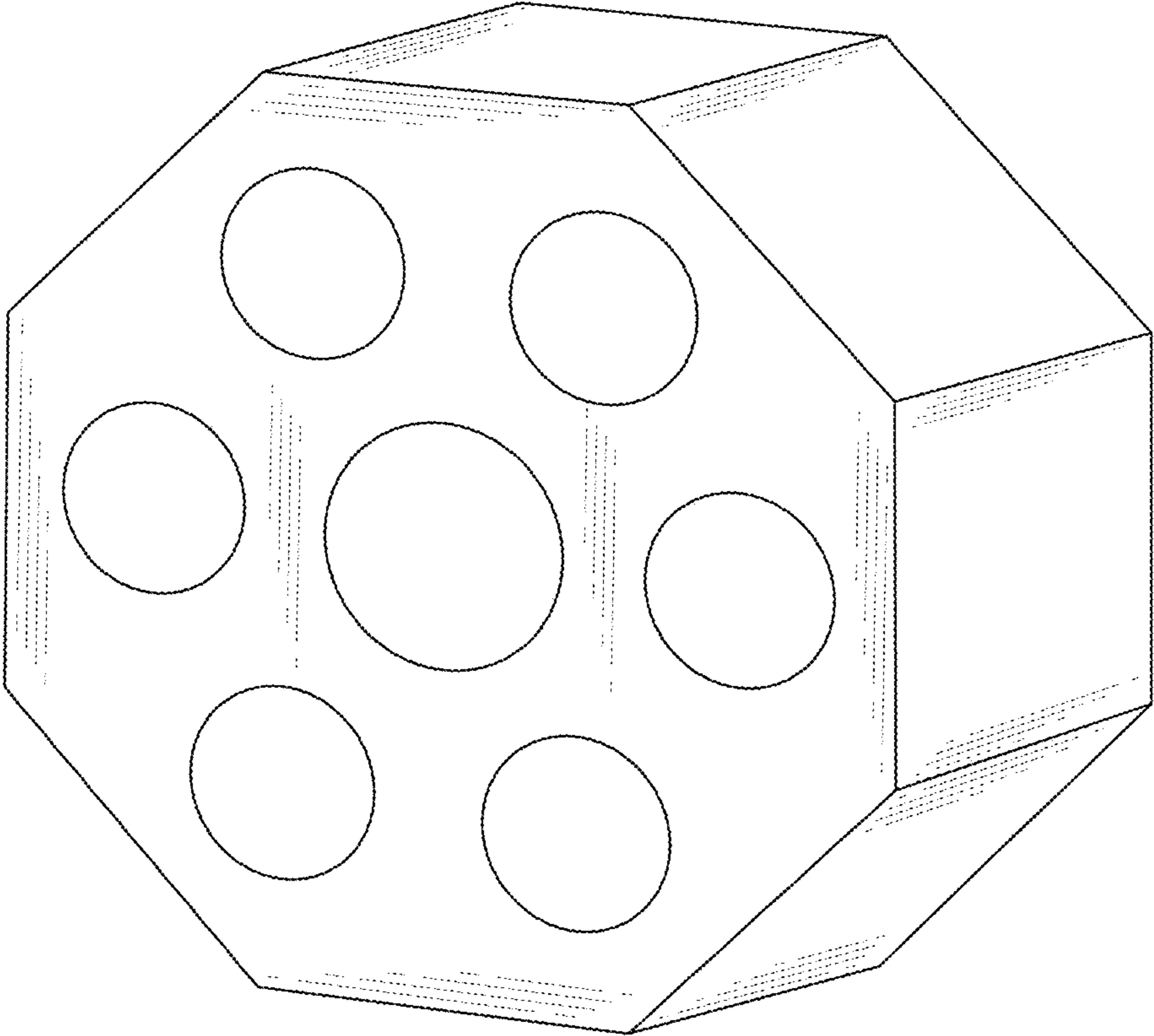


FIG.1

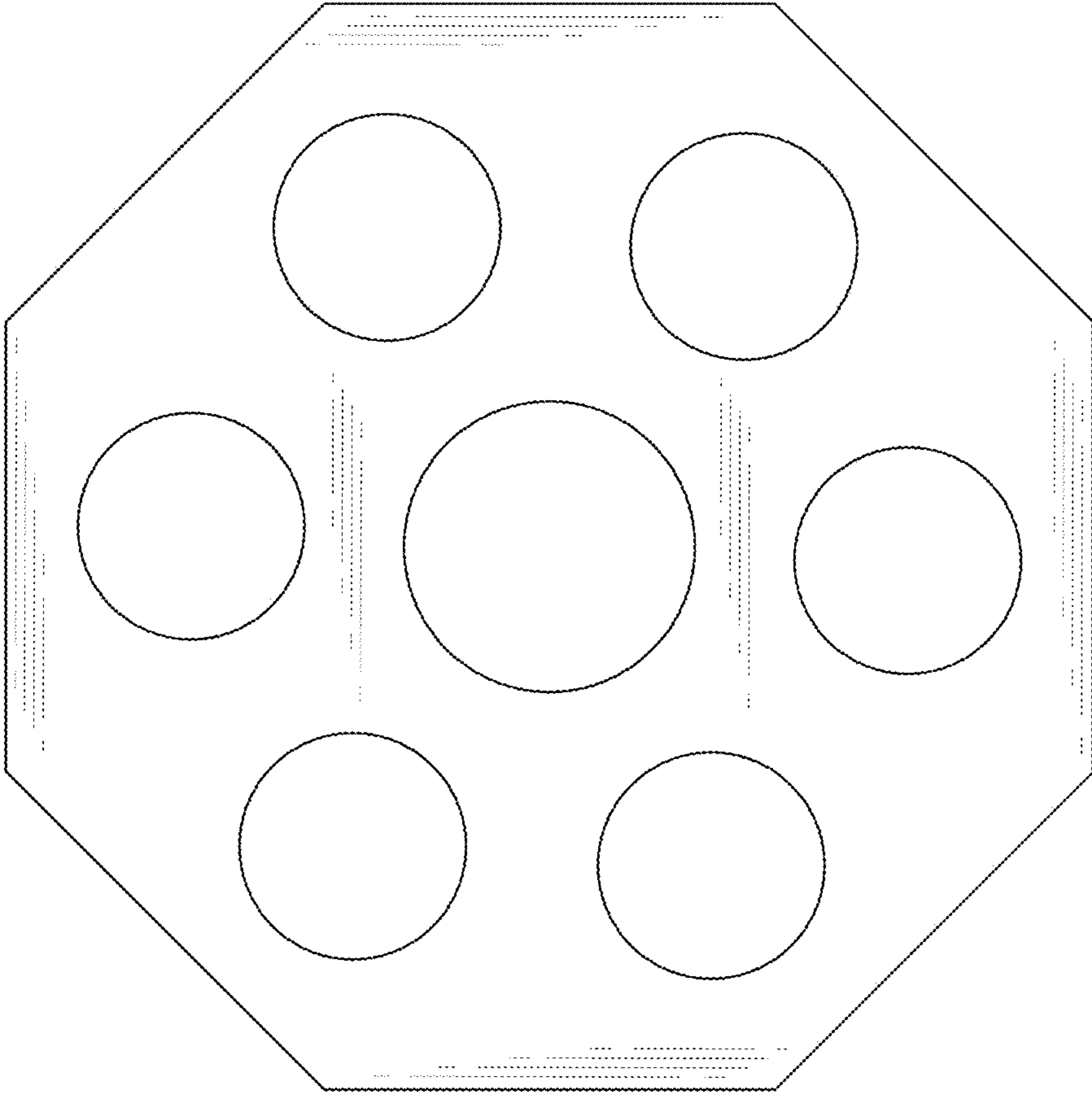


FIG.2

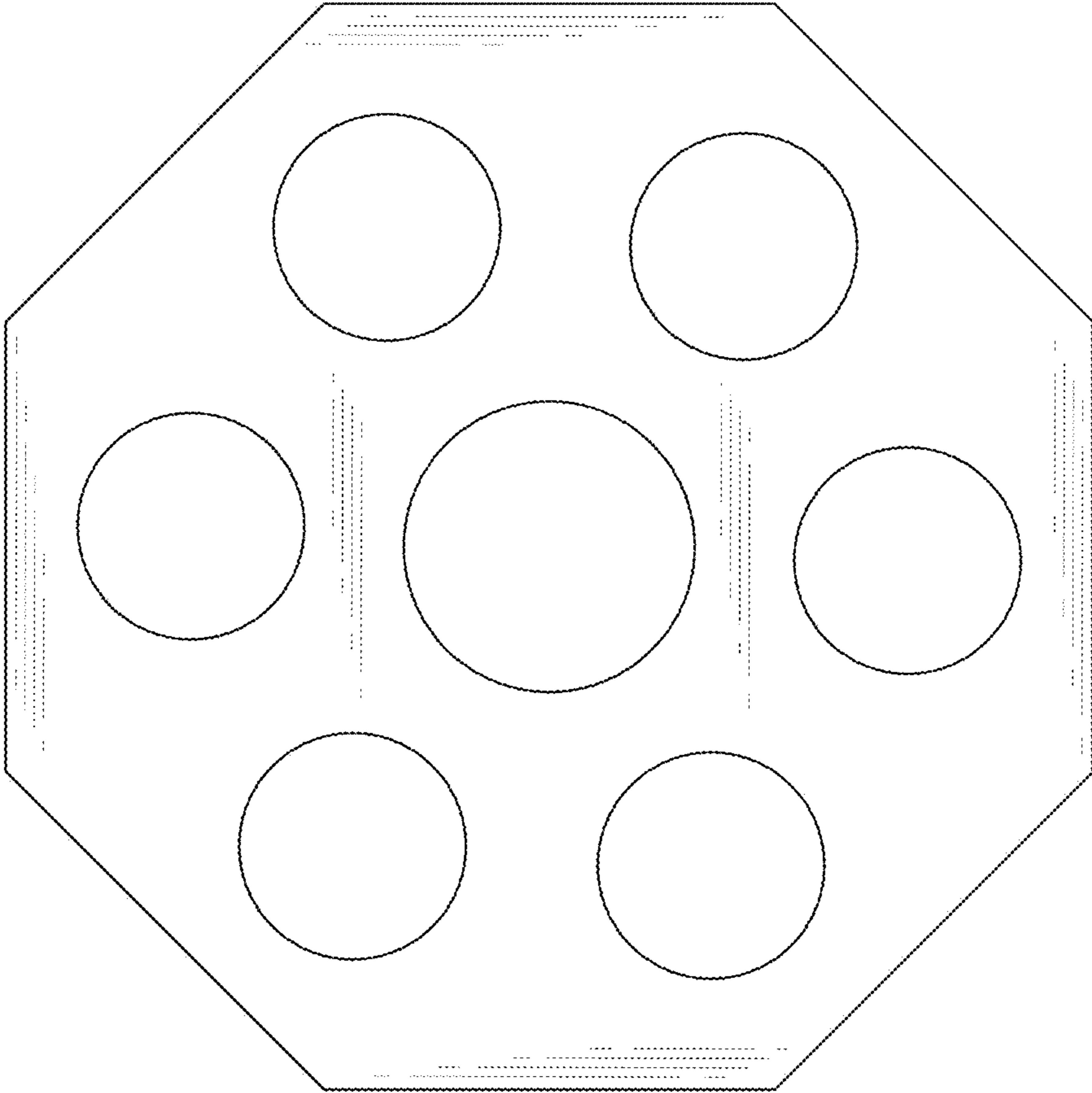


FIG.3

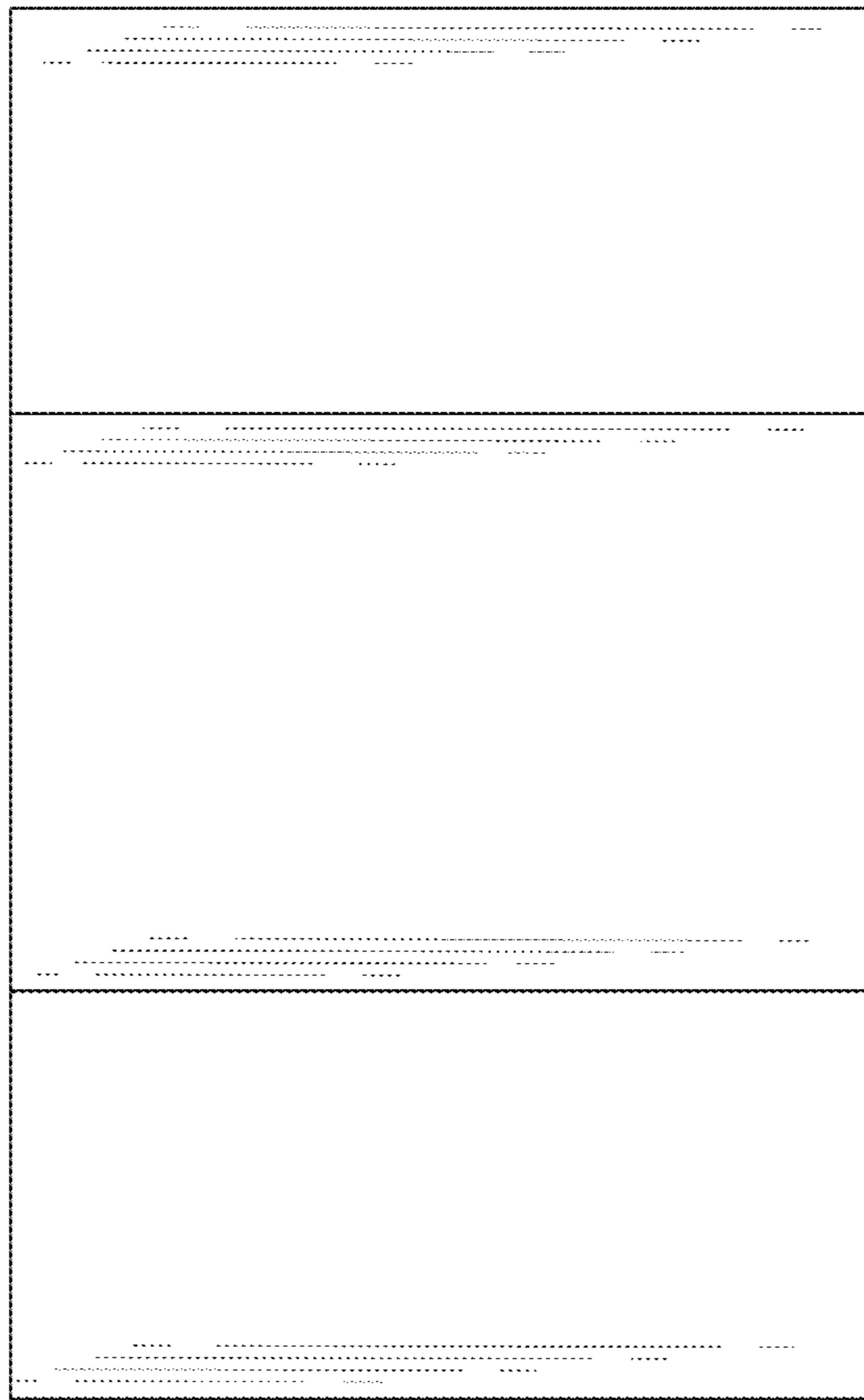


FIG.4

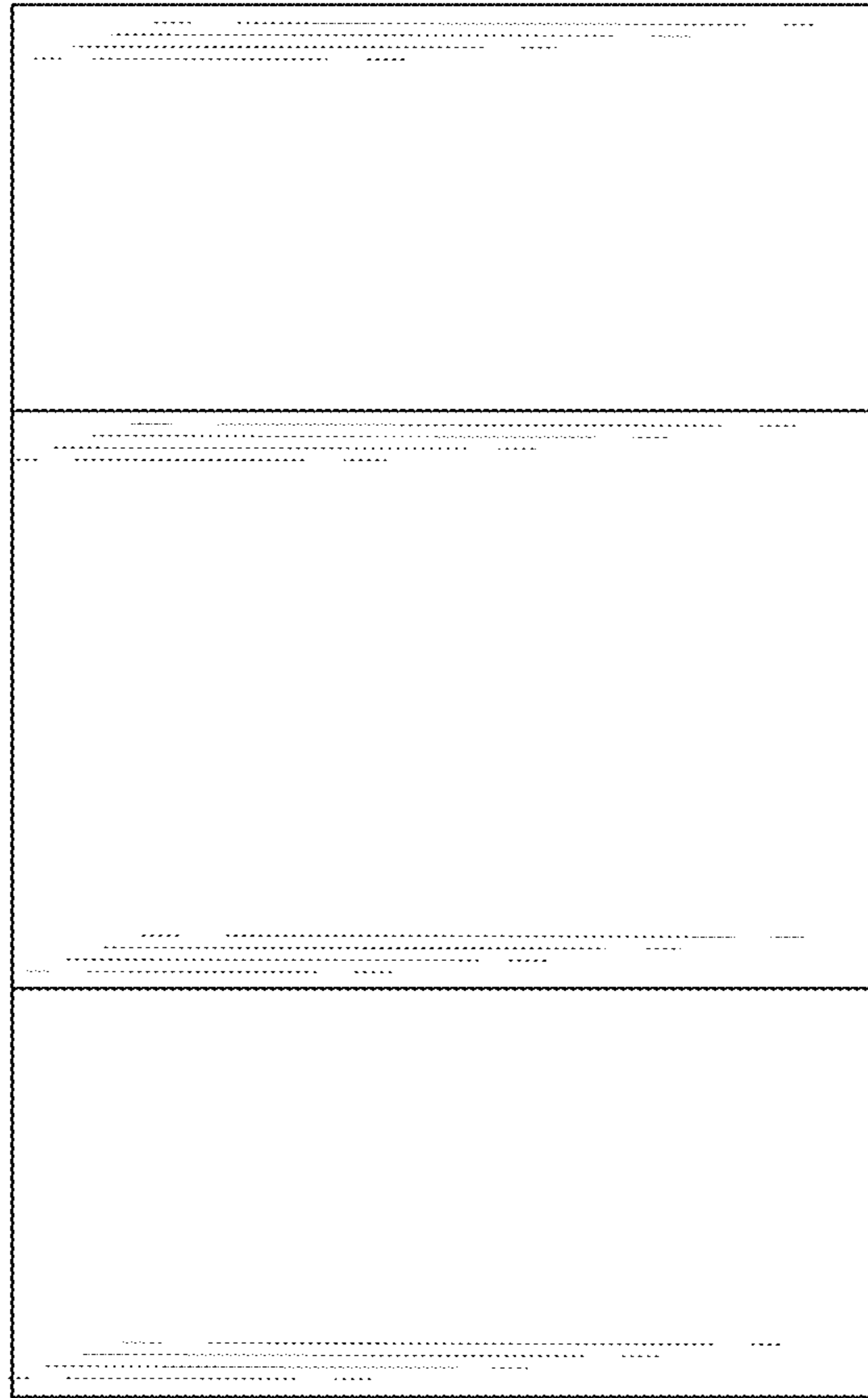


FIG. 5

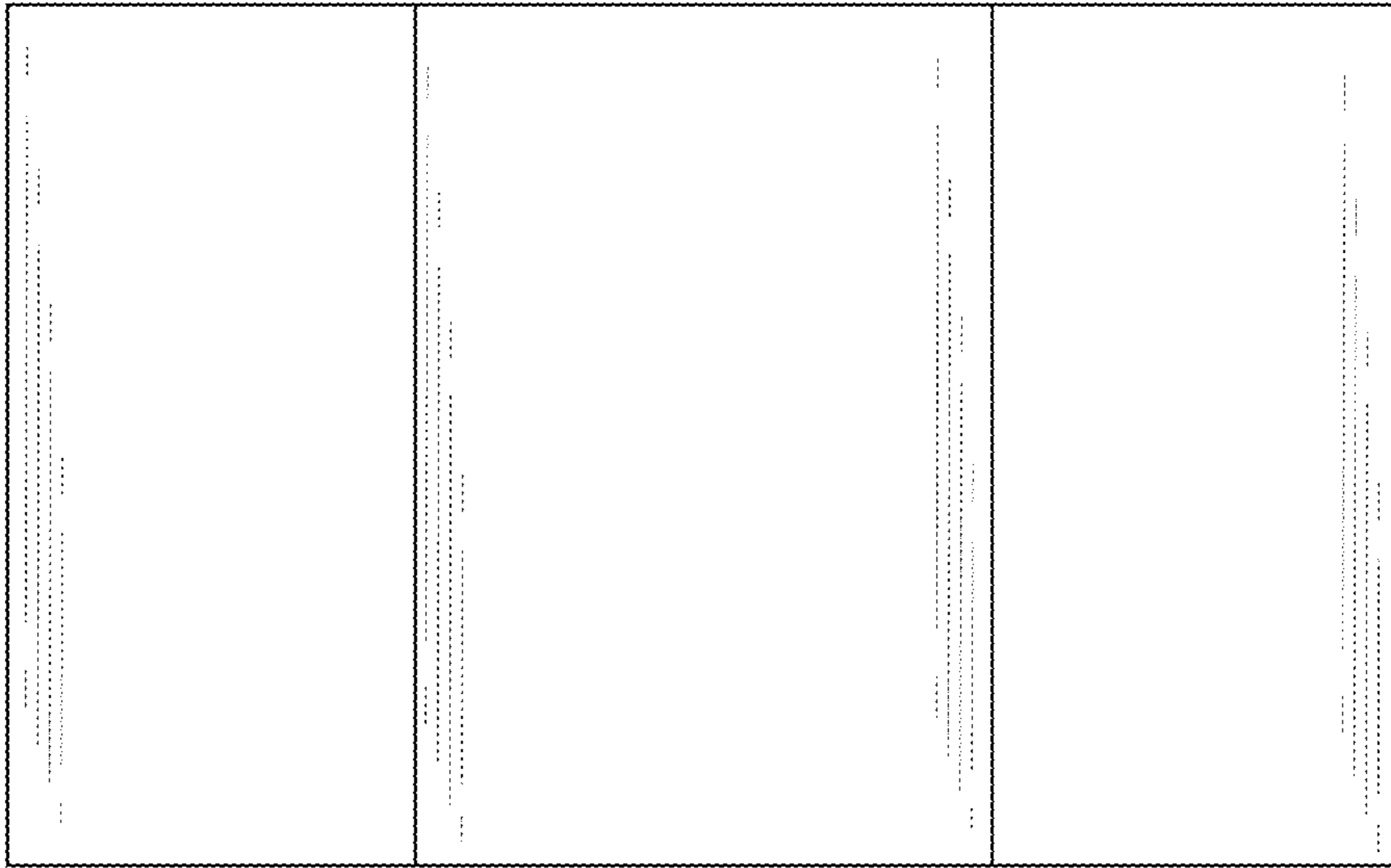


FIG.6

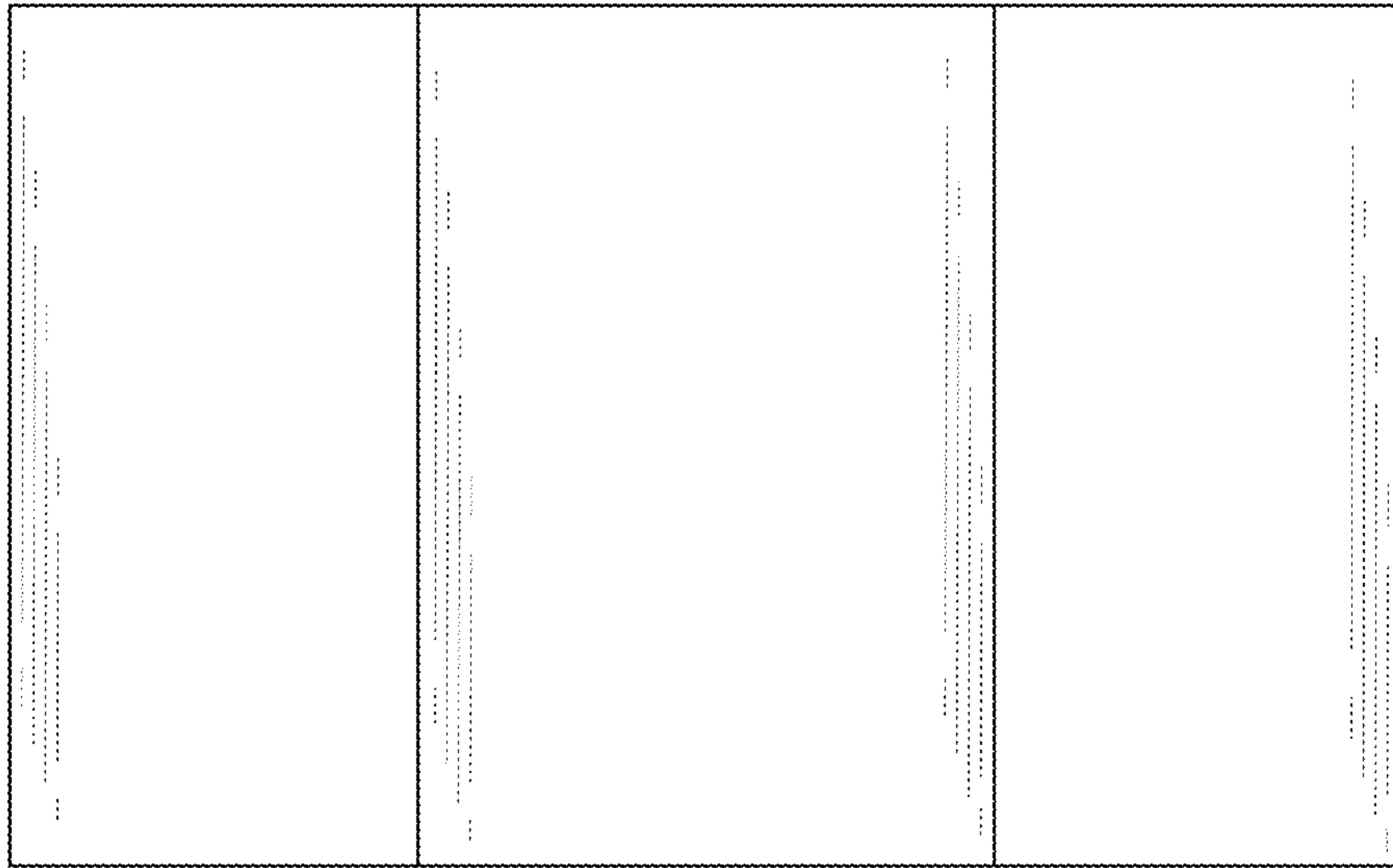


FIG. 7