



US00D955202S

(12) **United States Design Patent** (10) **Patent No.:** **US D955,202 S**
Marsden (45) **Date of Patent:** **** Jun. 21, 2022**

(54) **HINGE BOLT**

FOREIGN PATENT DOCUMENTS

(71) Applicant: **Elbee Pty Ltd.**, Bondi Junction (AU)

DE 10 2015 113 242 A1 2/2017

(72) Inventor: **Andrew Marsden**, Hingham, MA (US)

OTHER PUBLICATIONS

(73) Assignee: **Elbee Pty Ltd.**, Bondi Junction (AU)

No Author Listed, "Modilok Design", Two screenshots captured from <https://www.youtube.com/watch?v=maXAt7m86Ng> on Mar. 31, 2021. Youtube video date of Sep. 2, 2015.

(**) Term: **15 Years**

* cited by examiner

(21) Appl. No.: **29/722,669**

(22) Filed: **Jan. 31, 2020**

Primary Examiner — Doris Clark

(51) **LOC (13) Cl.** **08-06**

(74) *Attorney, Agent, or Firm* — Wolf, Greenfield & Sacks, P.C.

(52) **U.S. Cl.**

USPC **D8/323**

(58) **Field of Classification Search**

USPC D8/331, 340, 343, 323
CPC .. E05D 7/107; E05D 3/02; E05D 3/00; Y10T 16/52; Y10T 16/528; Y10T 16/53615; Y10T 16/5393; E05Y 2600/62; E05C 2005/005; E05C 3/30; E05C 5/00; E05C 9/20; E06B 11/022

See application file for complete search history.

(57) **CLAIM**

The ornamental design for a hinge bolt, as shown and described.

DESCRIPTION

FIG. 1 is a bottom, front, and right side perspective view of a hinge bolt according to my new design; FIG. 2 is a front elevation view thereof; FIG. 3 is a rear elevation view thereof; FIG. 4 is a left side elevation view thereof; FIG. 5 is a right side elevation view thereof; FIG. 6 is a top plan view thereof; and, FIG. 7 is a bottom plan view thereof.

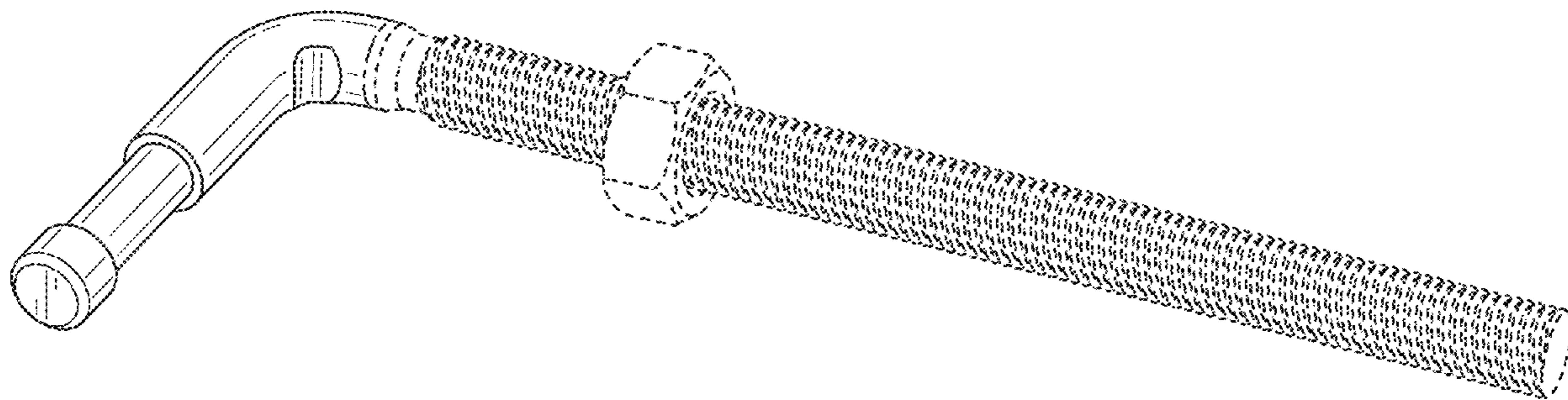
The dot-dash broken lines represent boundaries of the claimed design and form no part of the claimed design. The dash-dash broken lines depict portions of the hinge bolt that form no part of the claimed design.

1 Claim, 5 Drawing Sheets

(56) **References Cited**

U.S. PATENT DOCUMENTS

D297,912 S * 10/1988 Richards D8/387
D559,079 S * 1/2008 Berry D8/343
D649,006 S * 11/2011 Johnson D8/323
RE45,710 E * 10/2015 Guimaraes D8/343
D777,554 S * 1/2017 Elbaz D8/323
D794,417 S * 8/2017 Hogan D8/343
2014/0007506 A1 1/2014 Huang
2017/0268269 A1 * 9/2017 Nicholas, III E05D 7/1055
2019/0136619 A1 5/2019 Flannery et al.



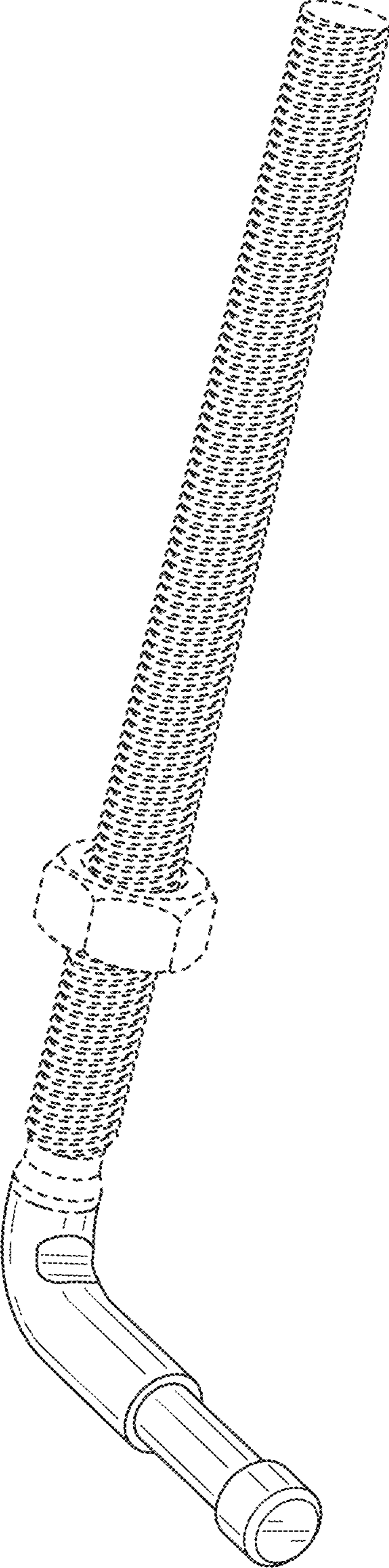


FIG. 1

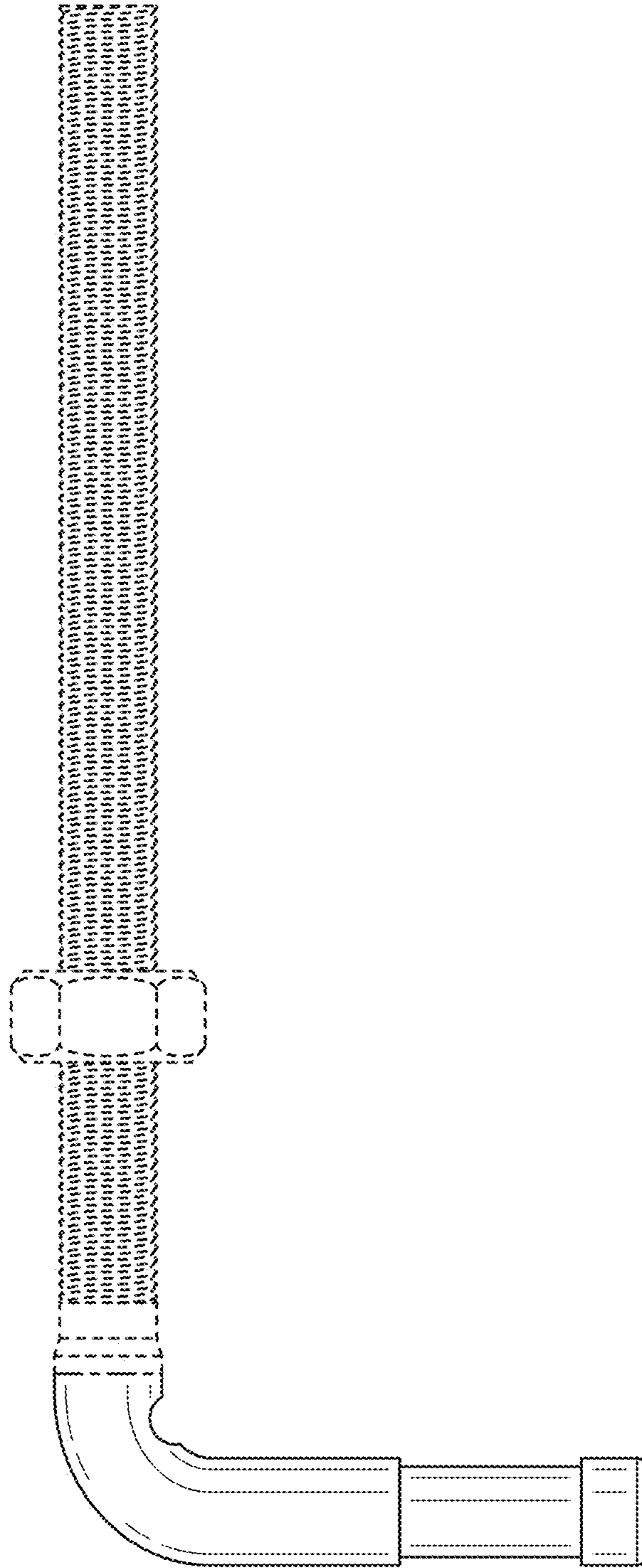


FIG. 2

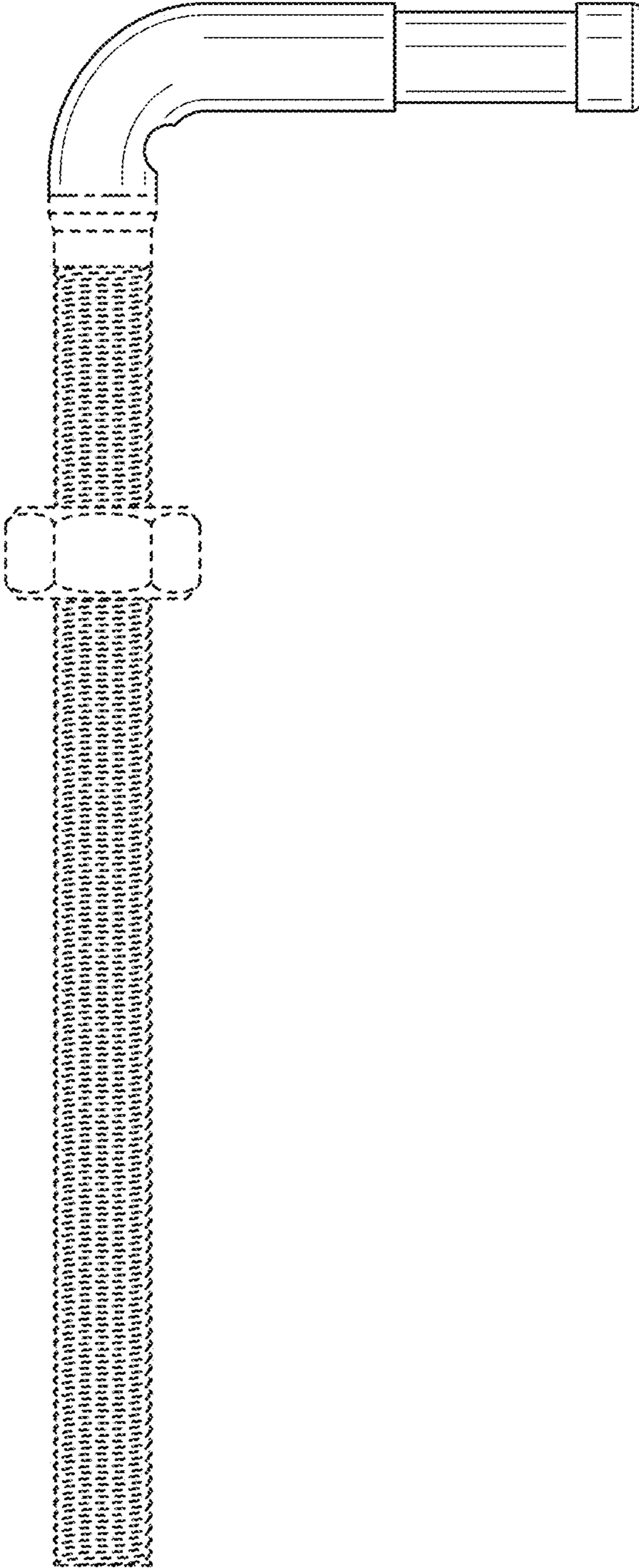


FIG. 3

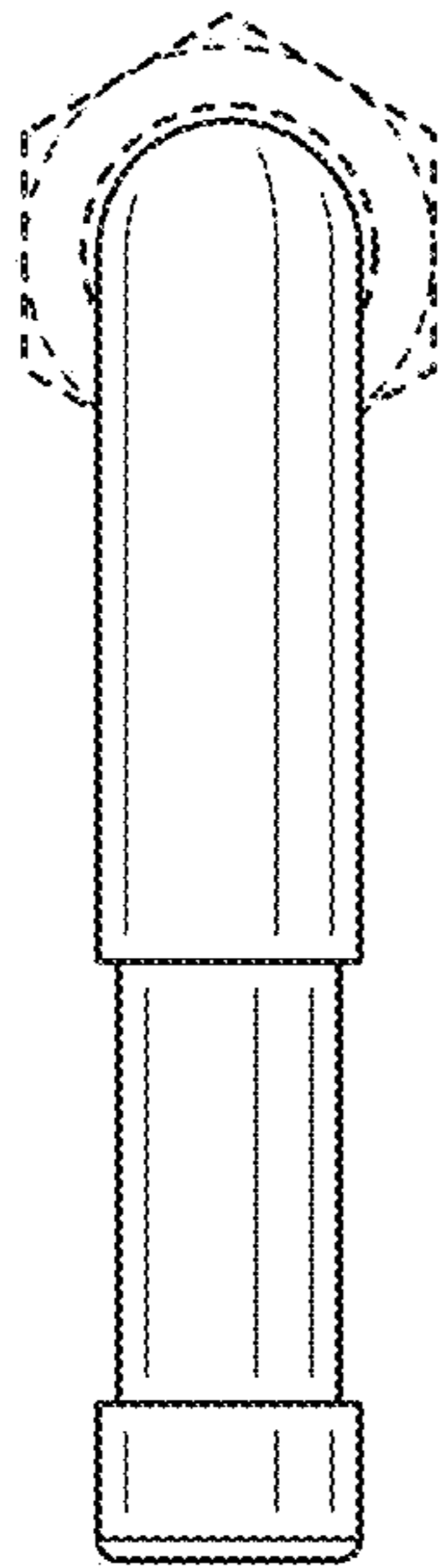


FIG. 4

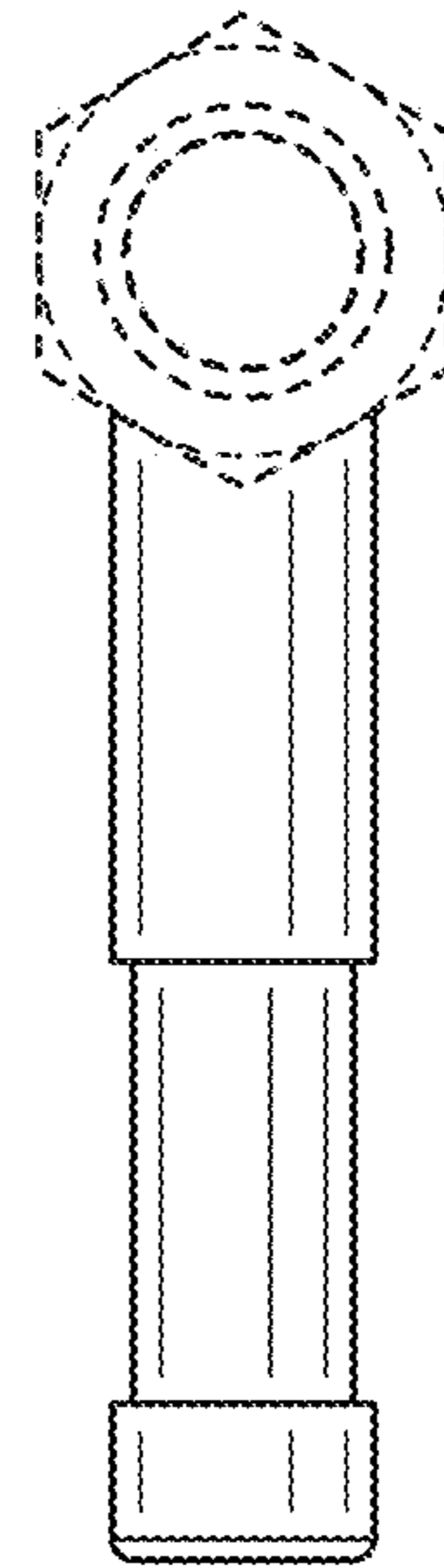


FIG. 5

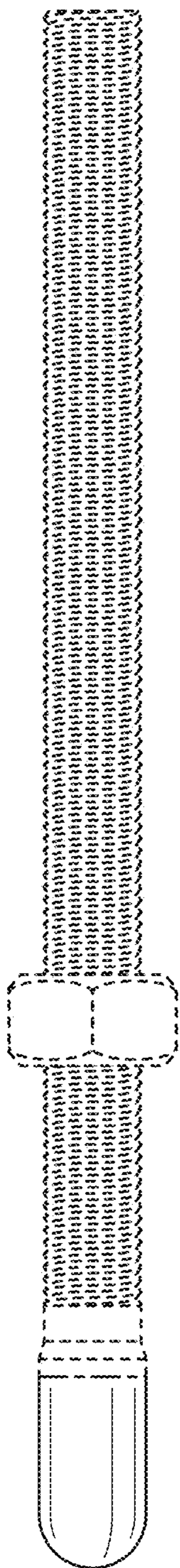


FIG. 6

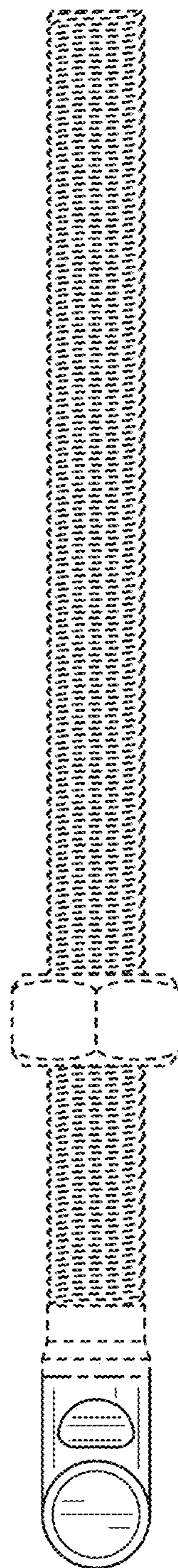


FIG. 7