



US00D955201S

(12) **United States Design Patent**  
**Hall**

(10) **Patent No.:** **US D955,201 S**  
(45) **Date of Patent:** **\*\* Jun. 21, 2022**

(54) **RECESSED HANDLE**

(71) Applicant: **KINGSWAY ENTERPRISES (UK) LIMITED**, Swanley (GB)

(72) Inventor: **Benjamin Hall**, Swanley (GB)

(73) Assignee: **Kingsway Enterprises (UK) Limited**, Kent (GB)

(\*\*) Term: **15 Years**

(21) Appl. No.: **29/733,062**

(22) Filed: **Apr. 29, 2020**

(51) **LOC (13) Cl.** ..... **08-06**

(52) **U.S. Cl.**  
USPC ..... **D8/313**

(58) **Field of Classification Search**  
USPC ..... D8/300, 301, 302, 313, 315, 316, 318,  
D8/319, 320, 331; D7/393, 394  
CPC ..... Y10T 16/469; Y10T 16/44; Y10T 16/498;  
Y10T 16/459; Y10T 74/20732; Y10T  
16/462; Y10T 29/49826; Y10T 16/4559;  
Y10T 74/20864; Y10T 16/4628; Y10T  
407/1825; Y10T 408/96; Y10T 74/20612;  
Y10T 137/6024; B25G 1/10; B25G 1/00;  
B25G 3/00

See application file for complete search history.

(56) **References Cited**

**U.S. PATENT DOCUMENTS**

1,304,700 A \* 5/1919 Otte ..... E05B 1/0015  
40/325  
D191,032 S \* 8/1961 De Vines ..... D8/DIG. 1

D303,922 S \* 10/1989 Russell ..... D8/321  
D342,204 S \* 12/1993 Lougee ..... D8/313  
D409,473 S \* 5/1999 Tieu ..... D8/313  
D411,092 S \* 6/1999 Heithe ..... D8/313  
D419,051 S \* 1/2000 Heithe ..... D8/313  
D488,991 S \* 4/2004 Bertani ..... E05B 1/0015  
D8/313  
D940,532 S \* 1/2022 Hall ..... D8/313  
2004/0112552 A1 \* 6/2004 Rooth ..... E06B 9/52  
160/371  
2016/0237720 A1 \* 8/2016 Brun ..... E05B 63/24  
2019/0301204 A1 \* 10/2019 Odom ..... E05B 65/08

\* cited by examiner

*Primary Examiner* — Lauren R Calve

(74) *Attorney, Agent, or Firm* — Erise IP, P.A.

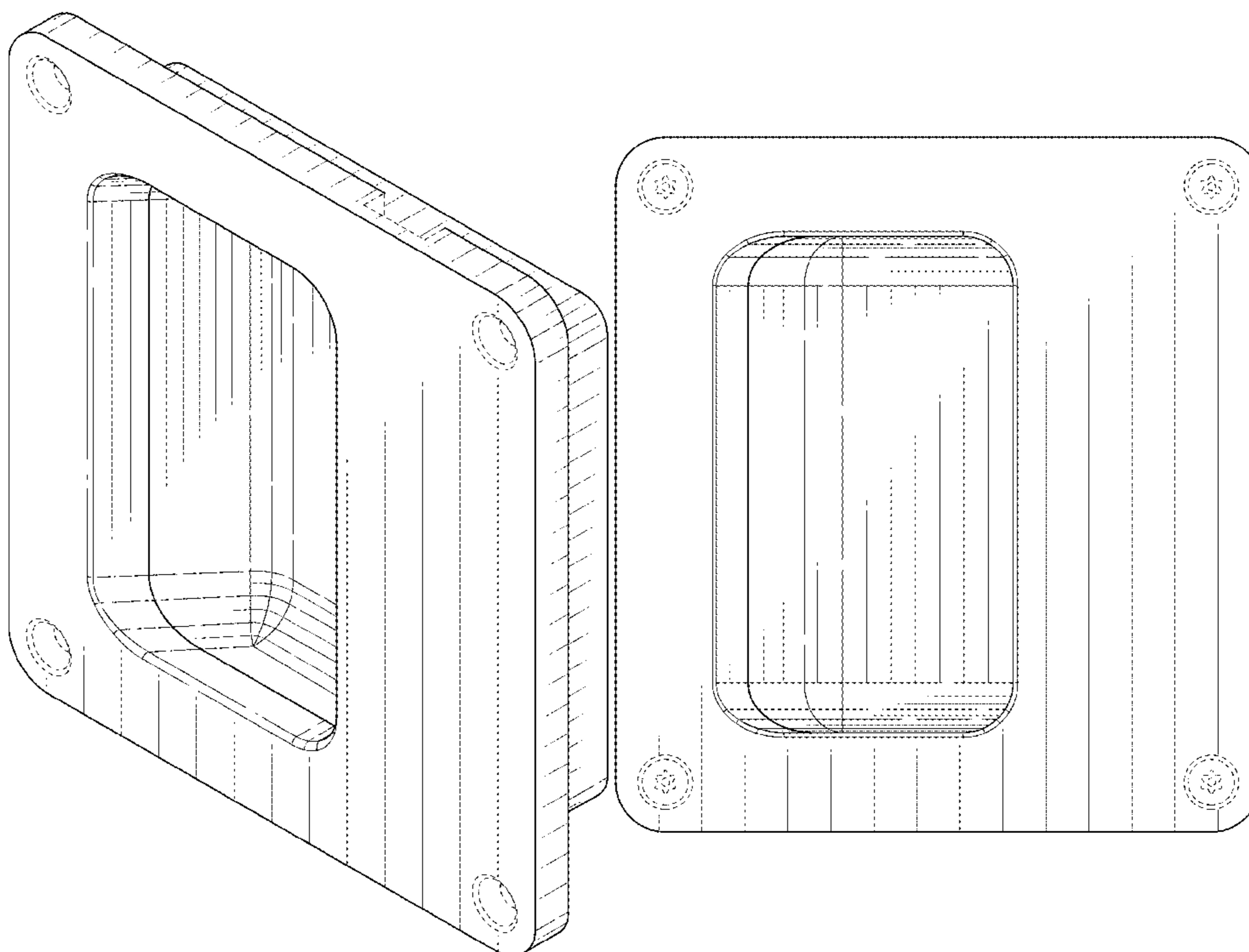
(57) **CLAIM**

The ornamental design for a recessed handle, as shown and described.

**DESCRIPTION**

FIG. 1 is a perspective view of a recessed handle embodying the design;  
FIG. 2 is a front view thereof;  
FIG. 3 is a back view thereof;  
FIG. 4 is a top view thereof;  
FIG. 5 is a bottom side view thereof;  
FIG. 6 is a left side view thereof; and,  
FIG. 7 is a right side view thereof.  
The broken lines shown are for purposes of illustrating portions of the recessed handle that form no part of the claimed design.

**1 Claim, 5 Drawing Sheets**



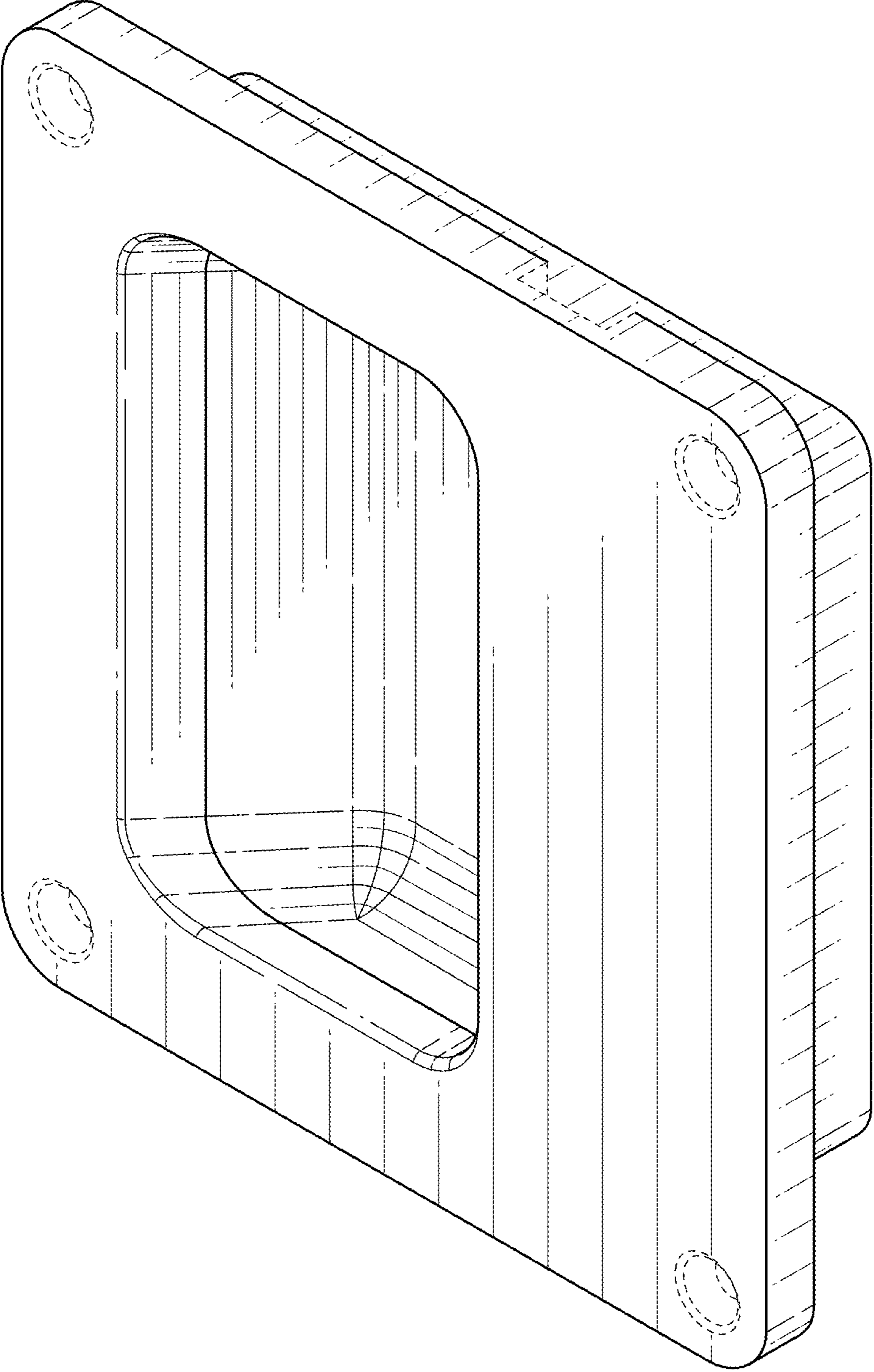


FIG. 1

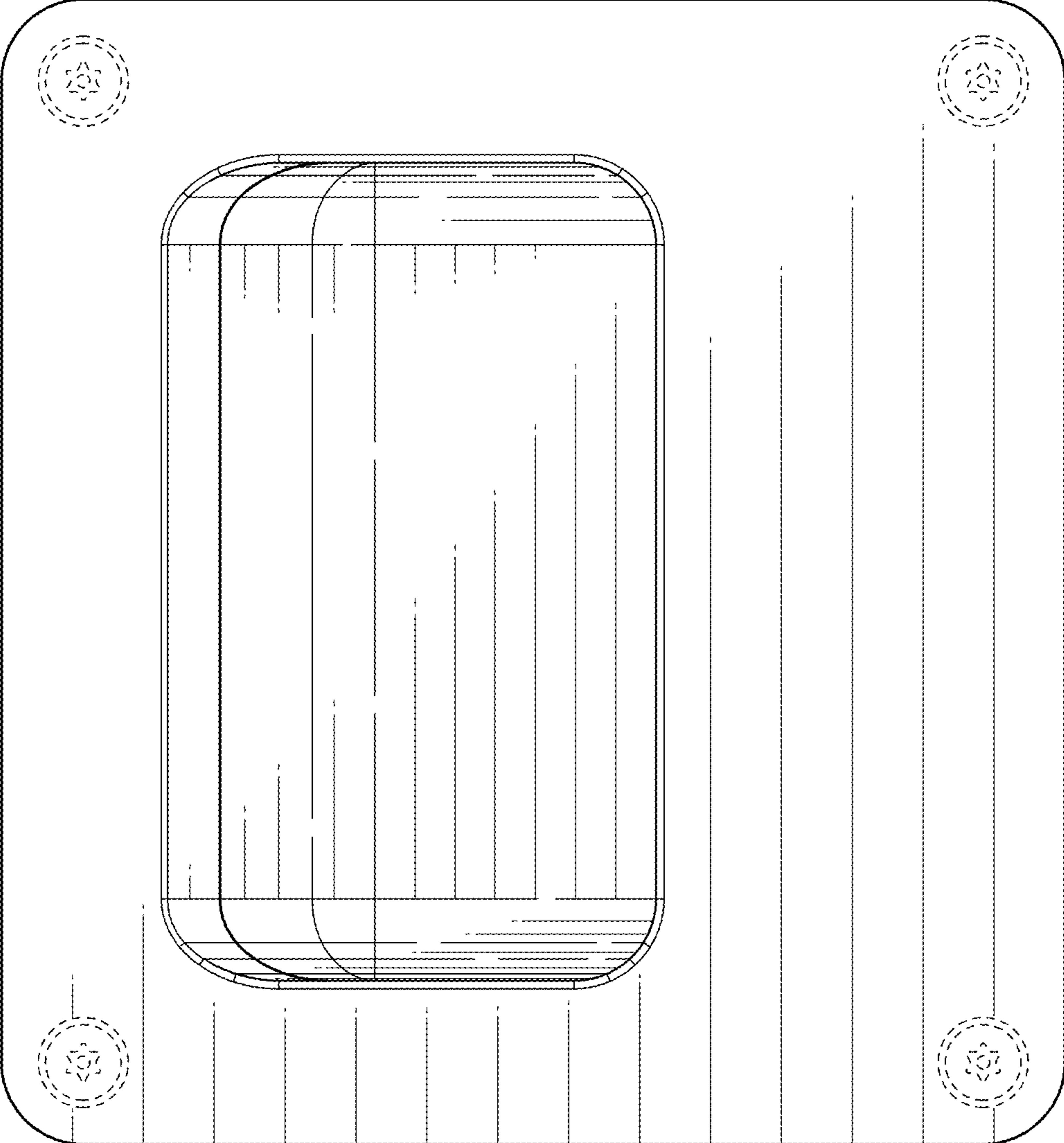


FIG. 2

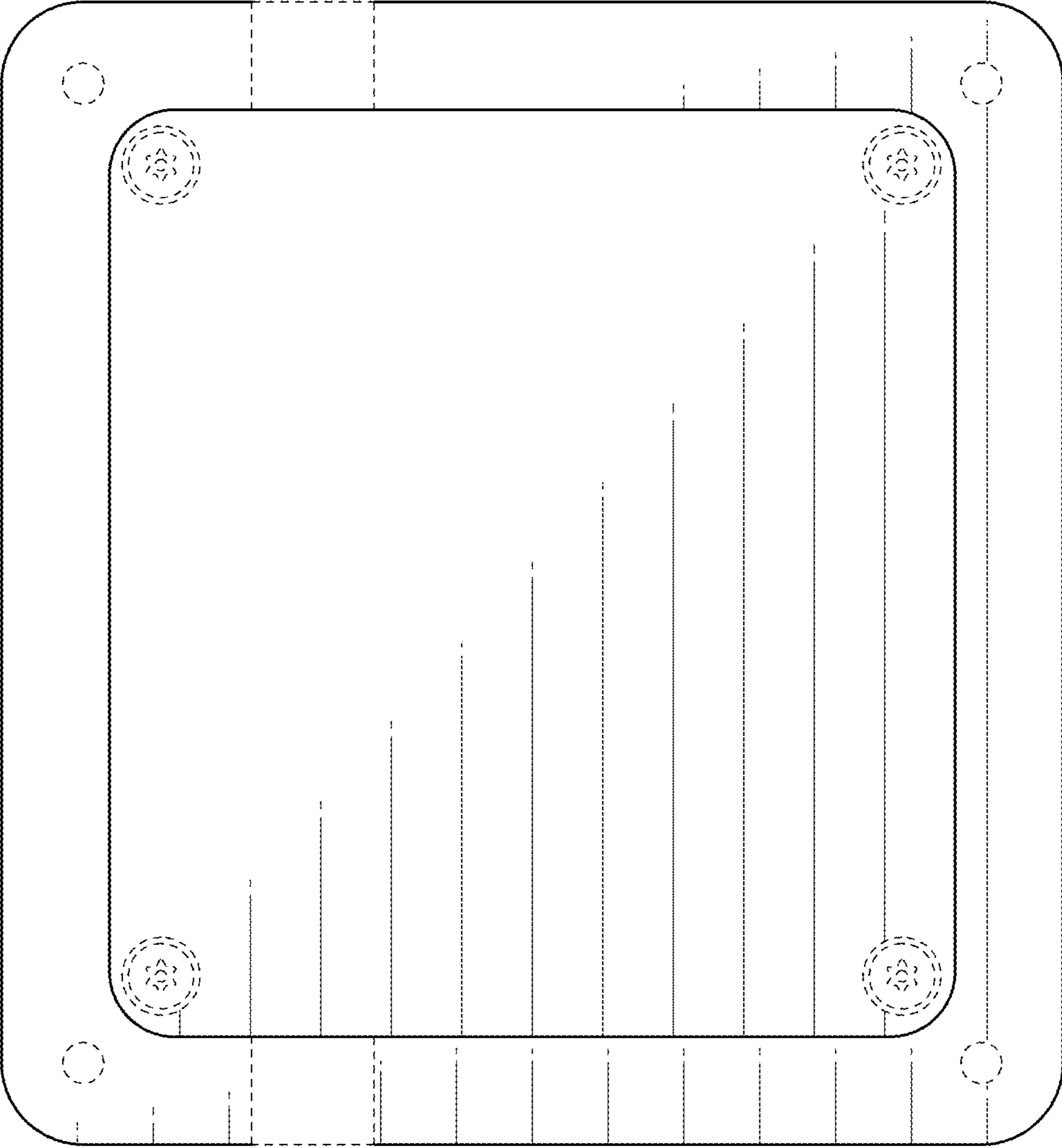


FIG. 3

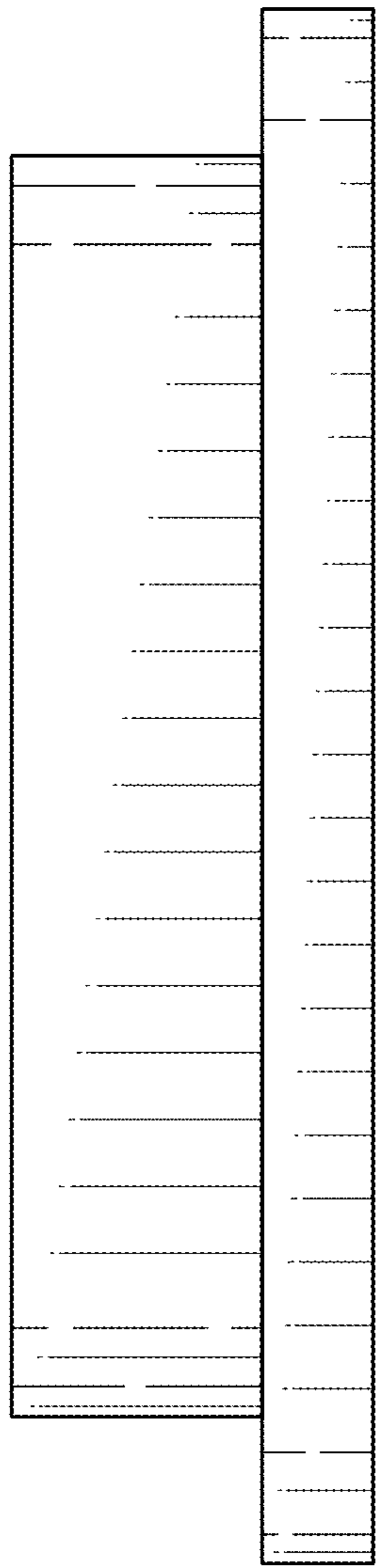


FIG. 4

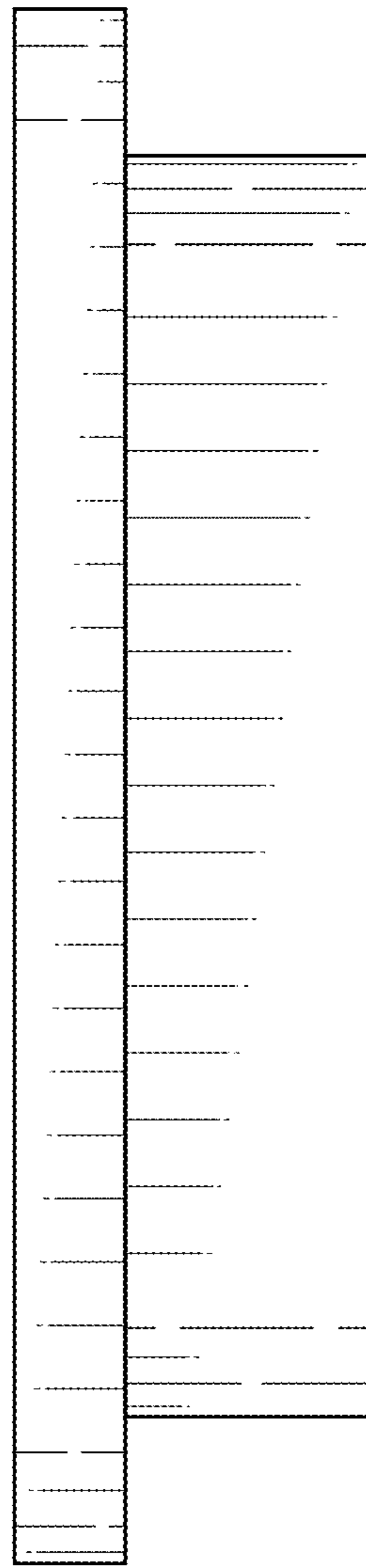


FIG. 5

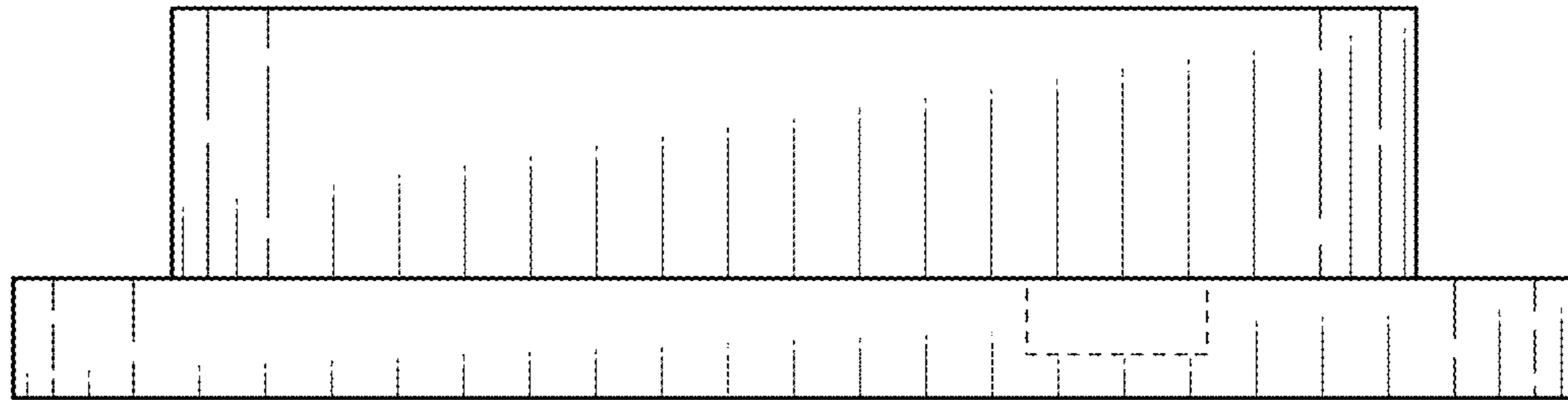


FIG. 6

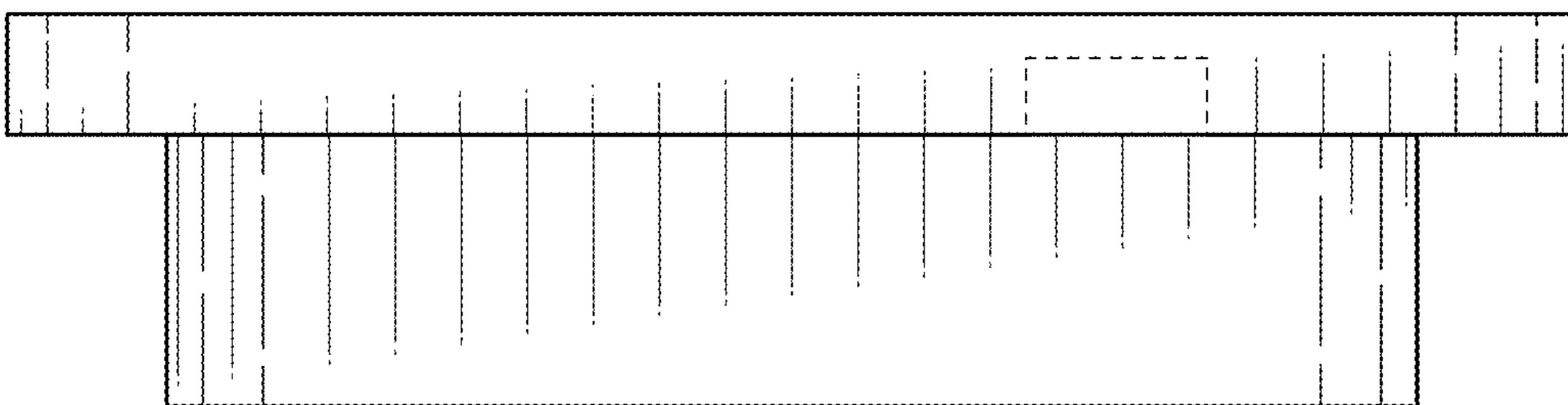


FIG. 7