



US00D955198S

(12) **United States Design Patent**
Sun

(10) **Patent No.:** **US D955,198 S**

(45) **Date of Patent:** **** Jun. 21, 2022**

(54) **HACKSAW FRAME**

(71) Applicant: **Guoqiao Sun**, Hangzhou (CN)

(72) Inventor: **Guoqiao Sun**, Hangzhou (CN)

(**) Term: **15 Years**

(21) Appl. No.: **29/795,669**

(22) Filed: **Jun. 20, 2021**

(30) **Foreign Application Priority Data**

Jun. 9, 2021 (CN) 202130356753.7

(51) **LOC (13) Cl.** **08-03**

(52) **U.S. Cl.**
USPC **D8/97; D8/96**

(58) **Field of Classification Search**
USPC D8/14, 95, 96, 97, 98, 99, 107
CPC B23D 51/125; B23D 51/03; B23D 51/01;
B23D 51/08; B23D 51/10
See application file for complete search history.

(56) **References Cited**

U.S. PATENT DOCUMENTS

5,722,173	A *	3/1998	Huang	B23D 49/11 30/519
6,134,791	A *	10/2000	Huang	B23D 51/01 30/506
D514,418	S	2/2006	Critelli et al.		
D633,360	S	3/2011	Shih		
8,776,385	B2 *	7/2014	Huang	B23D 51/14 30/512
D721,940	S *	2/2015	Vanderbeek	D8/96
D755,034	S *	5/2016	DeBaker	D8/97
D932,862	S *	10/2021	Sun	D8/96

2010/0132203	A1 *	6/2010	Green	B23D 51/125 30/513
2010/0192392	A1 *	8/2010	Scott	B23D 51/125 30/513
2013/0205605	A1 *	8/2013	Huang	B23D 51/14 30/329
2015/0020392	A1 *	1/2015	Harvey	B27B 21/02 30/513

* cited by examiner

Primary Examiner — Philip S Hyder

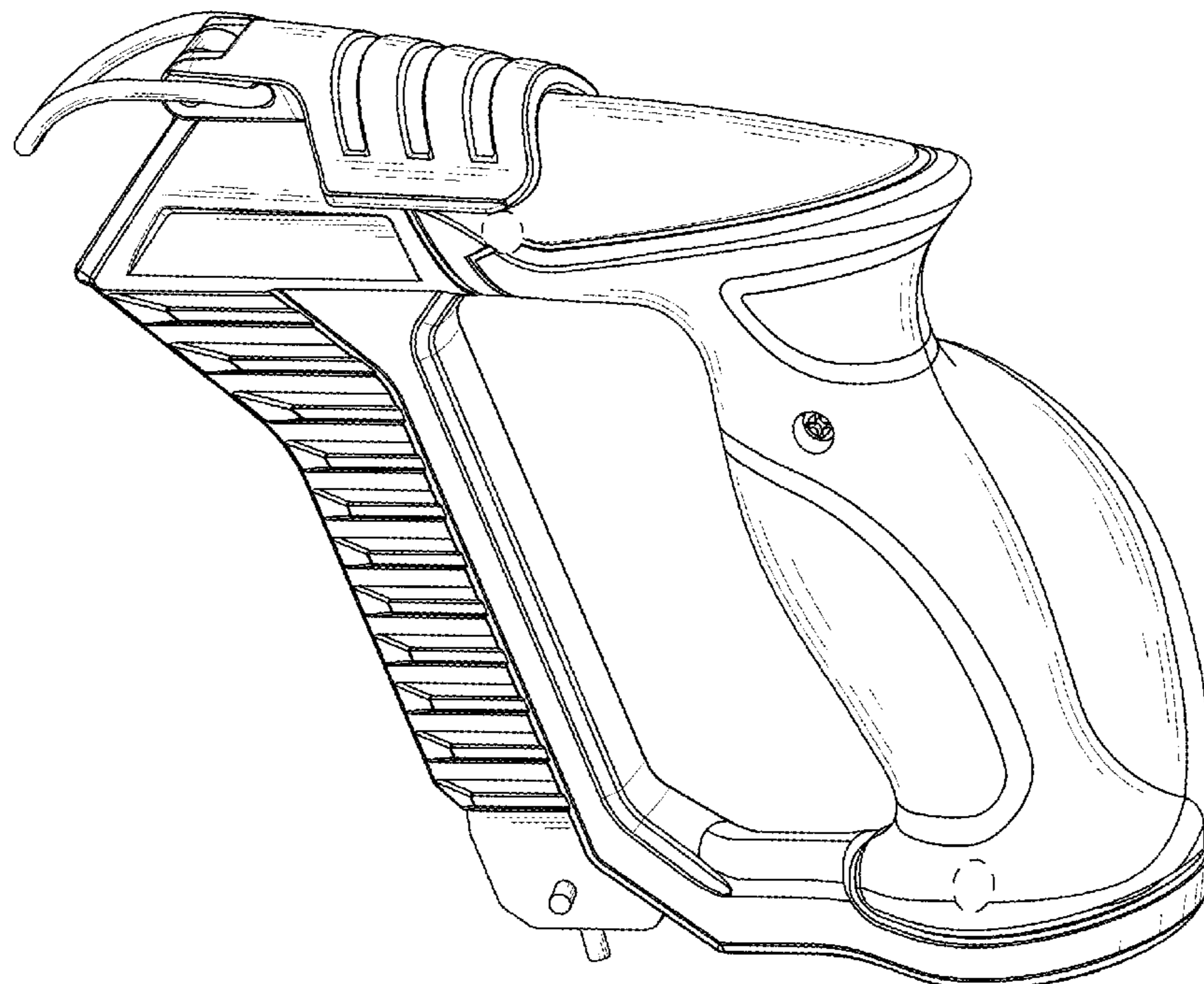
(57) **CLAIM**

The ornamental design for a hacksaw frame, as shown and described.

DESCRIPTION

FIG. 1 is a front, top and right perspective view of a hacksaw frame showing my new design;
 FIG. 2 is a front view thereof;
 FIG. 3 is a rear view thereof;
 FIG. 4 is a left side view thereof;
 FIG. 5 is a right side view thereof;
 FIG. 6 is a top plan view thereof;
 FIG. 7 is a bottom plan view thereof;
 FIG. 8 is the first perspective view of a hacksaw frame in use state;
 FIG. 9 is the second perspective view thereof in use state;
 FIG. 10 is the third perspective view thereof in use state;
 and,
 FIG. 11 is the fourth perspective view thereof in use state.
 The broken lines in FIGS. 1-2, 5-7 illustrate portions of the hacksaw frame and the broken lines in FIGS. 8-11 showing a hacksaw frame are for the purposes of illustrating environment, all broken lines form no part of the claimed design.

1 Claim, 11 Drawing Sheets



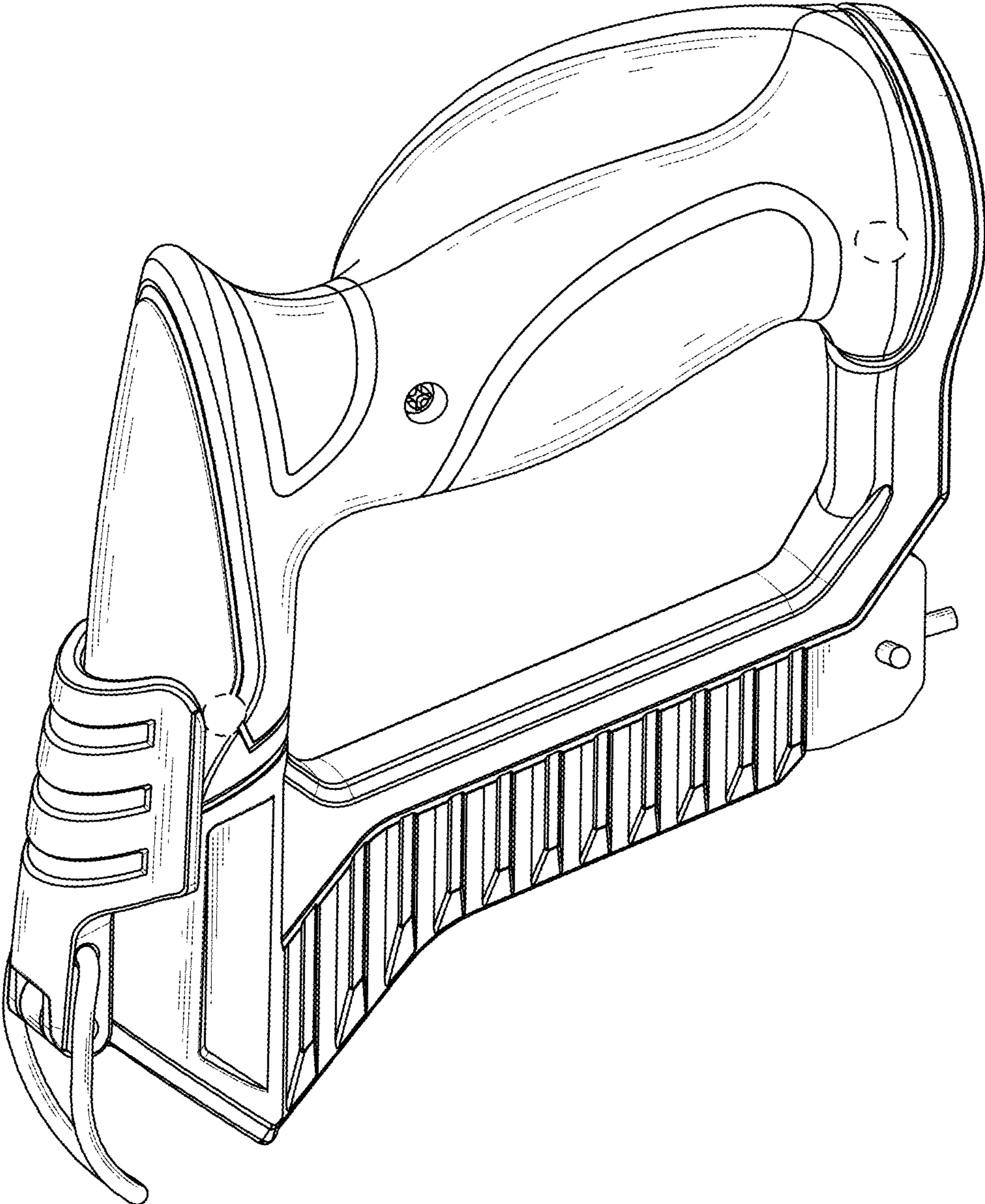


FIG. 1

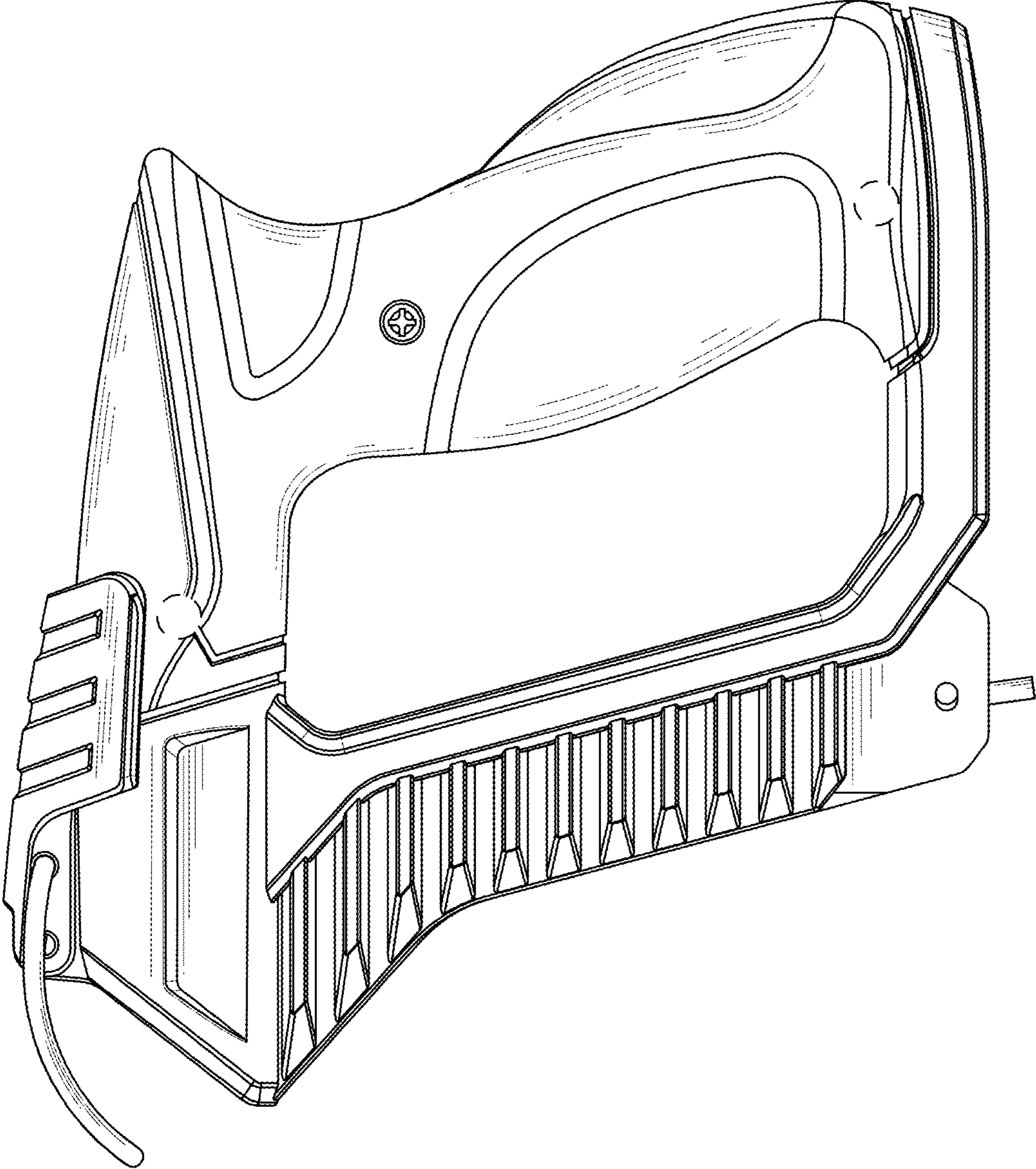


FIG. 2

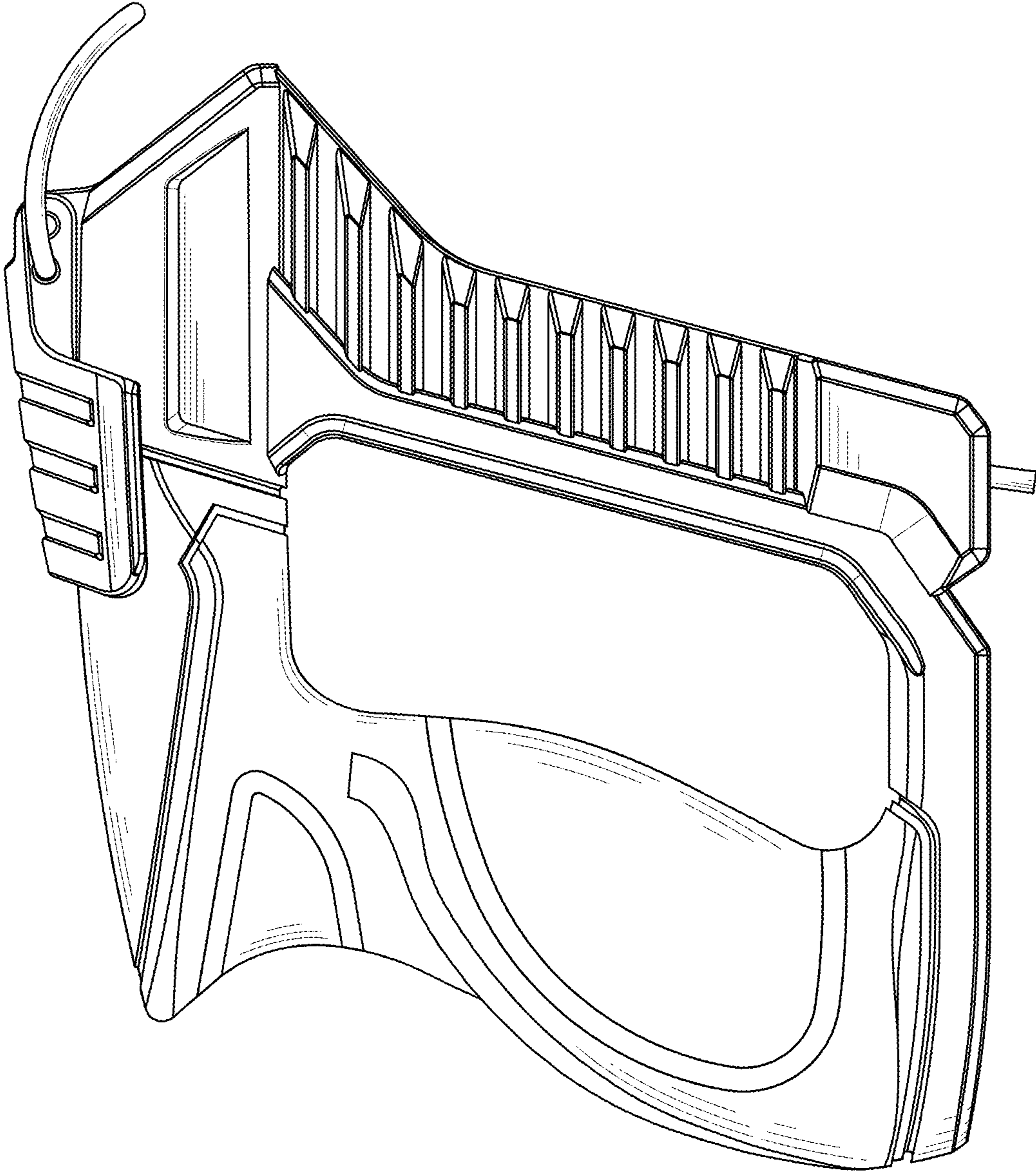


FIG. 3

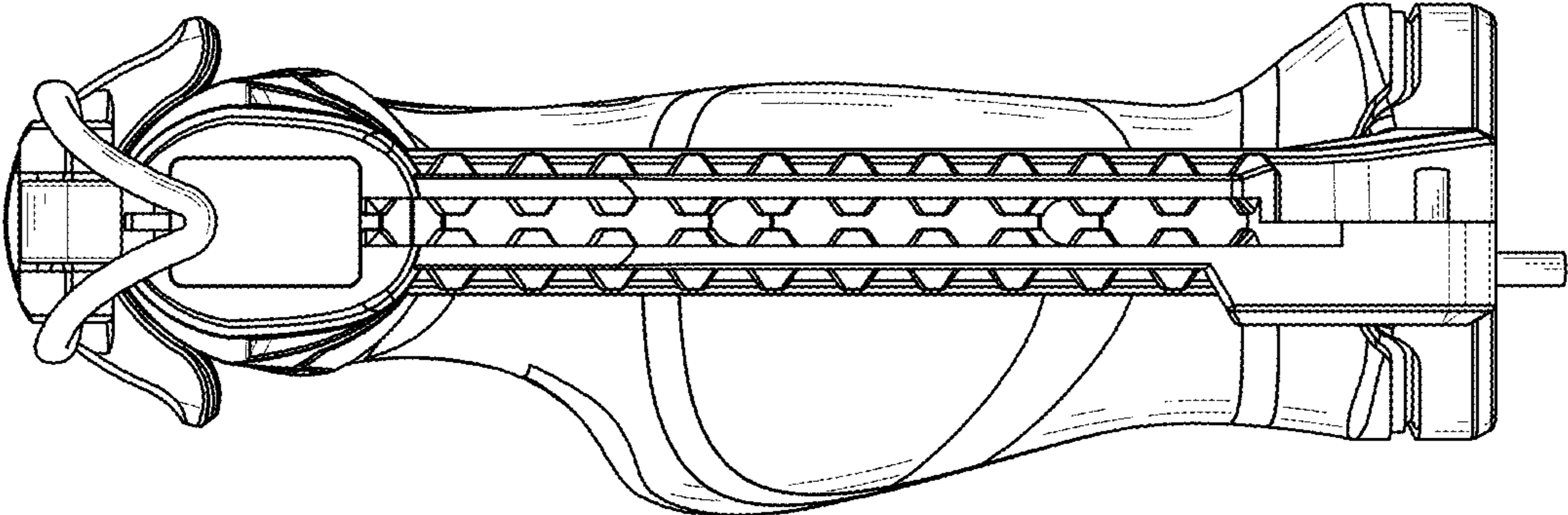


FIG. 4

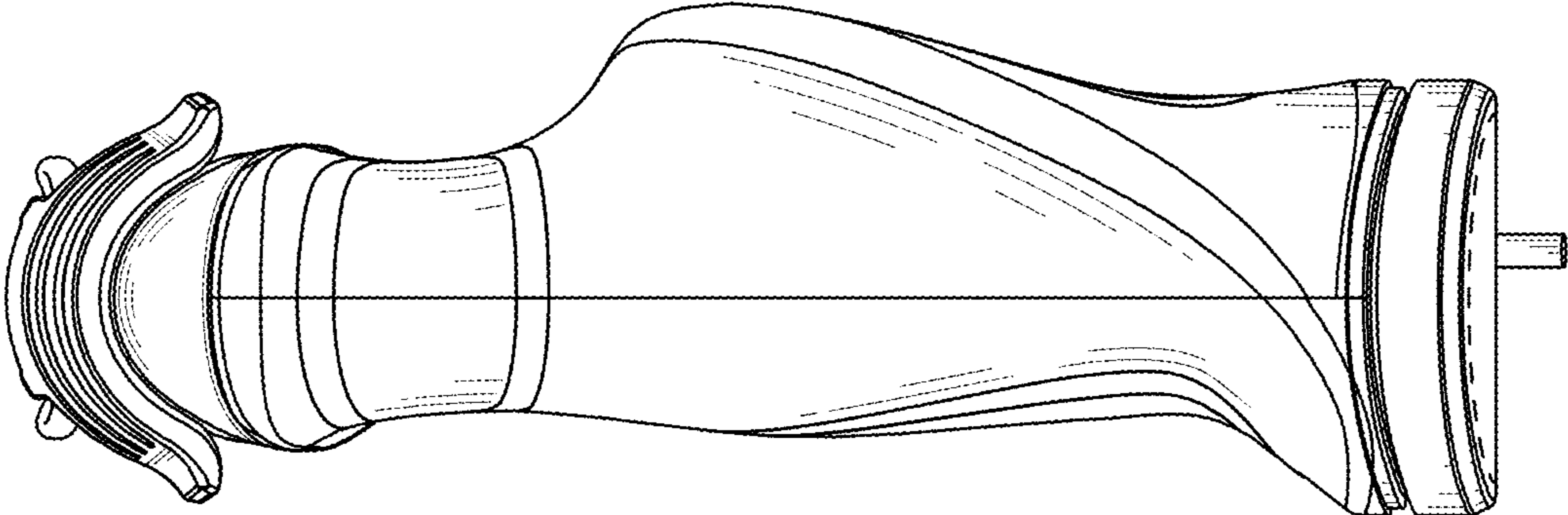


FIG. 5

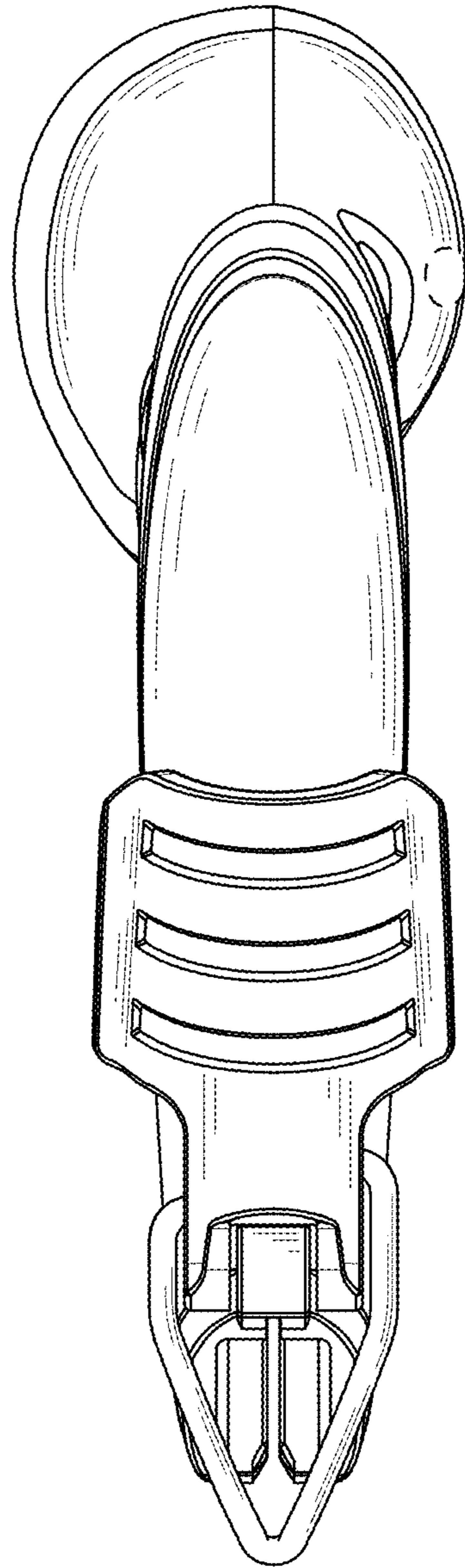


FIG. 6

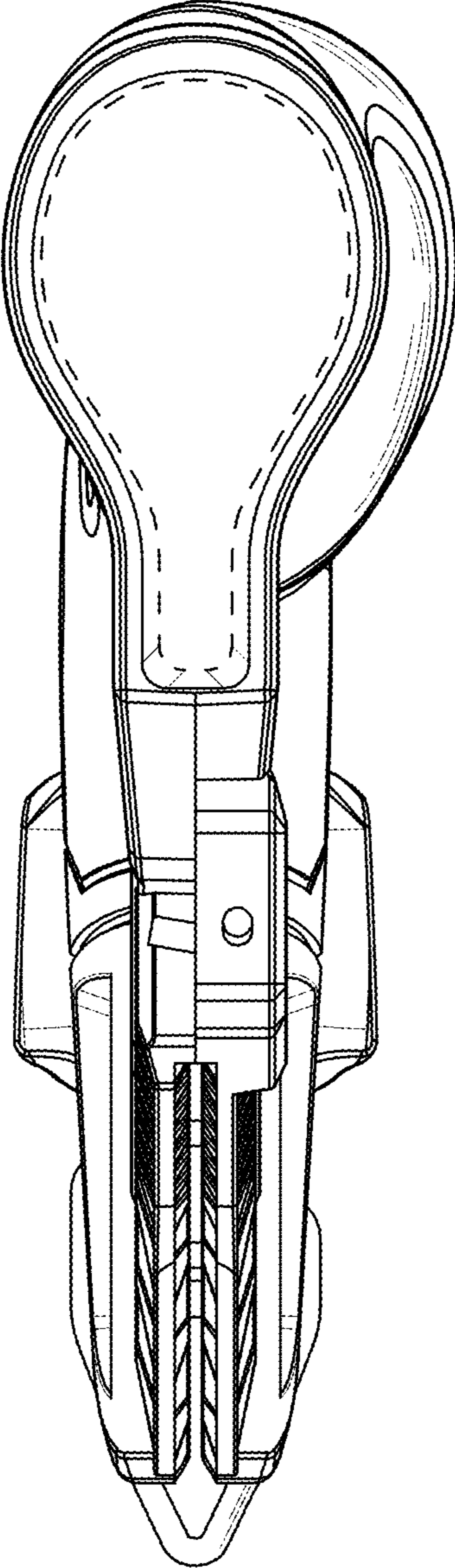


FIG. 7

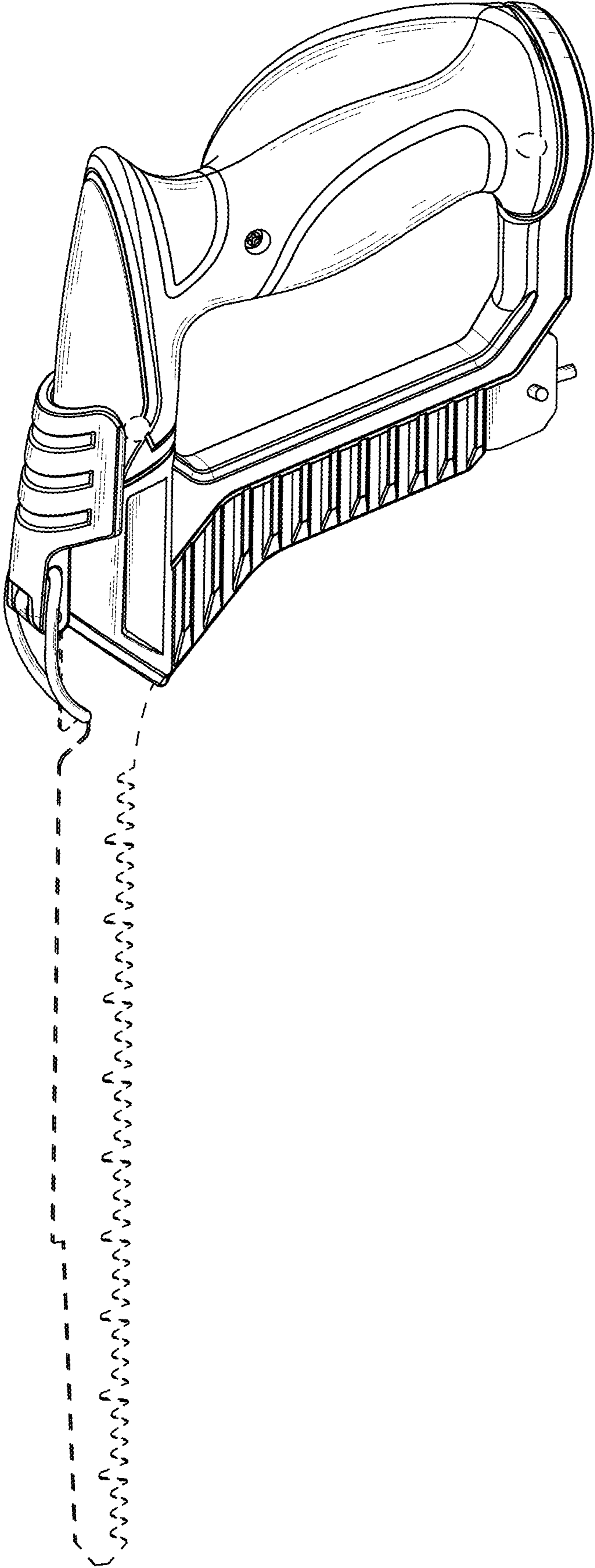


FIG. 8

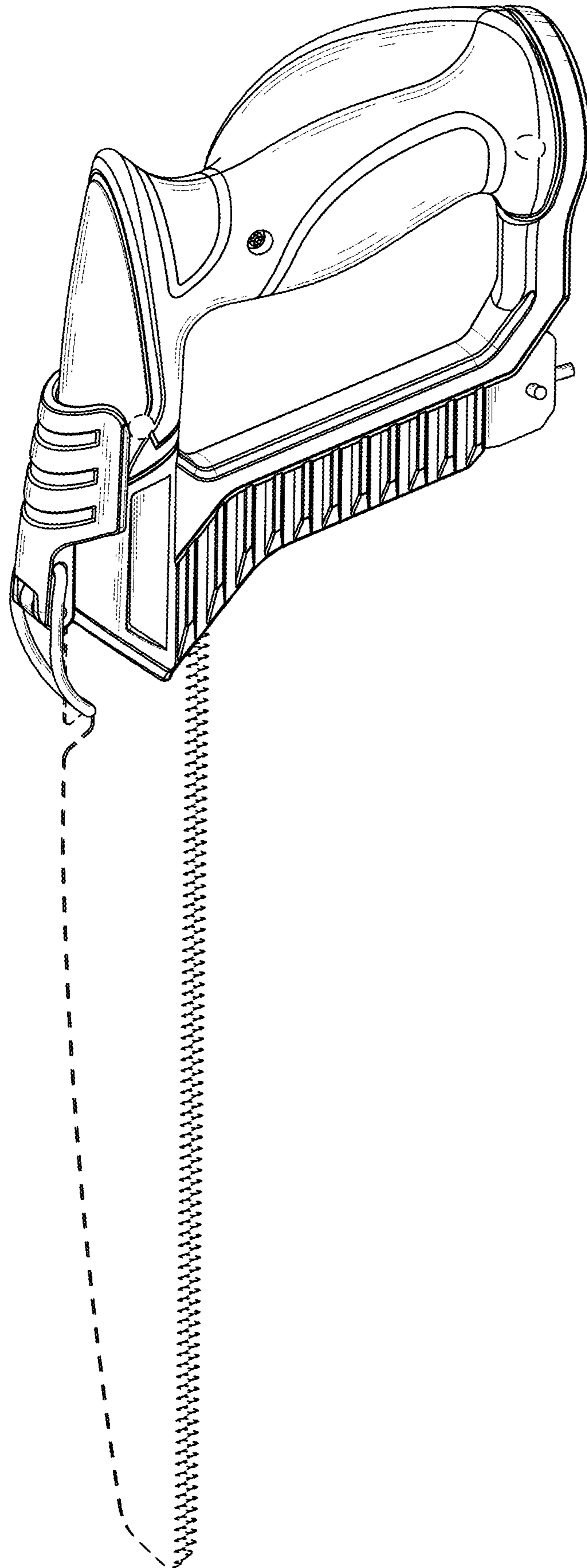


FIG. 9

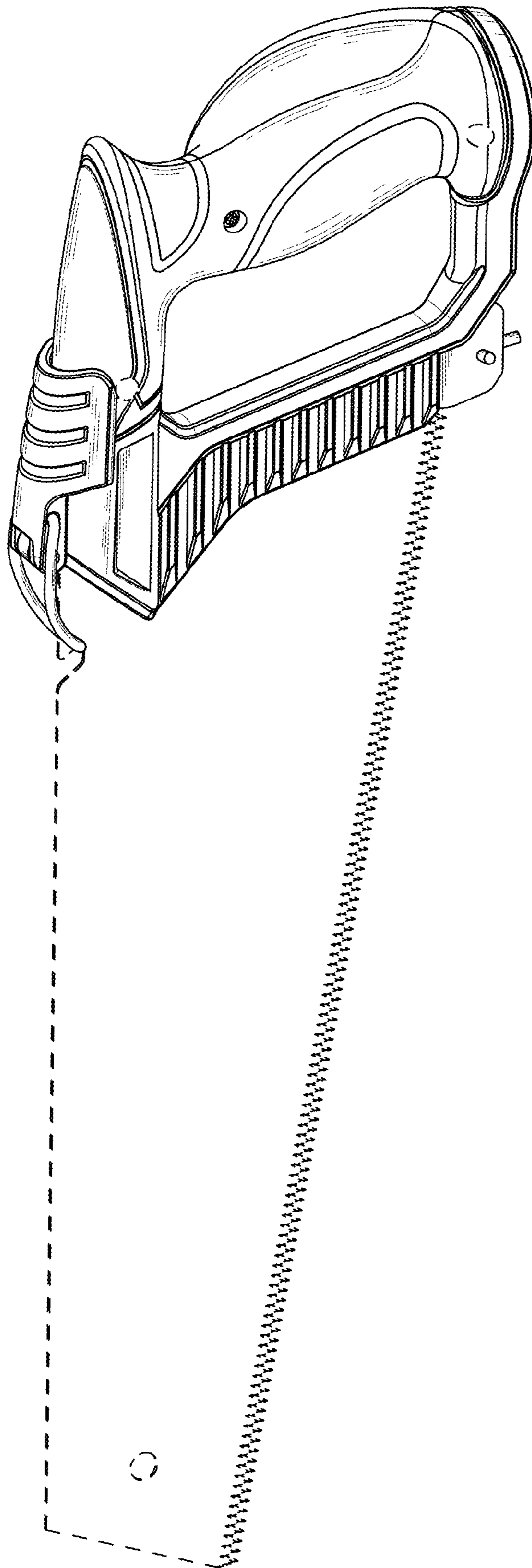


FIG. 10

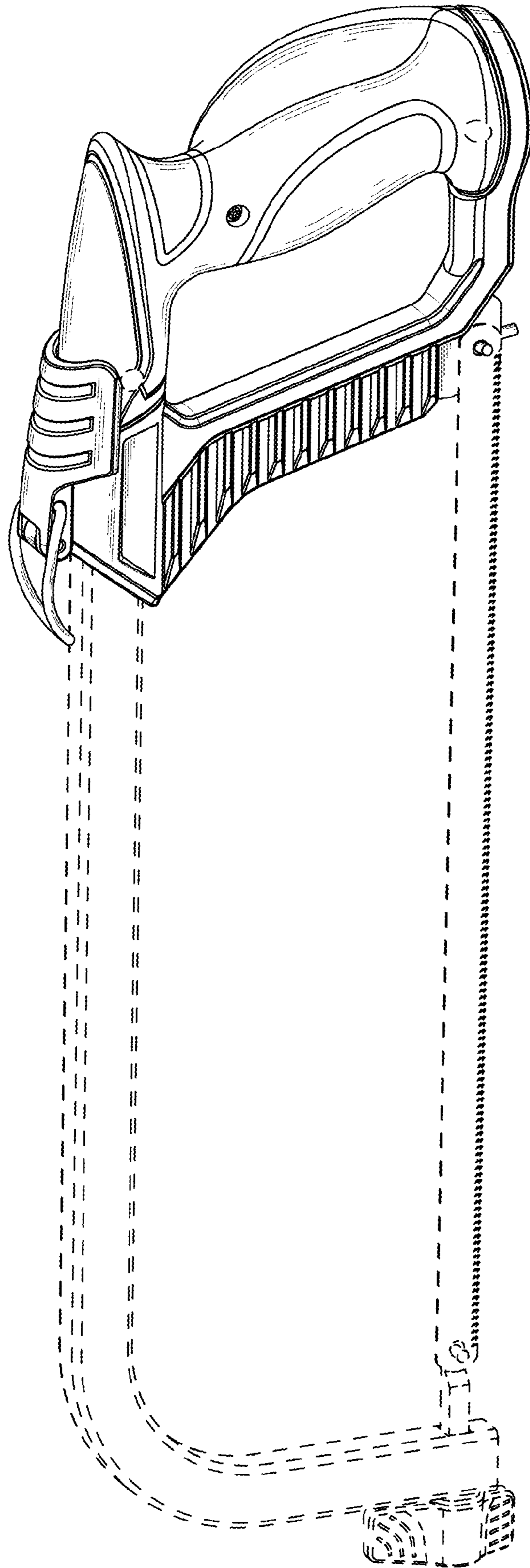


FIG. 11