



US00D955197S

(12) **United States Design Patent**
Mori

(10) **Patent No.:** **US D955,197 S**
(45) **Date of Patent:** **** Jun. 21, 2022**

- (54) **FASTENER FASTENING TOOL**
- (71) Applicant: **NEWFREY LLC**, New Britain, CT (US)
- (72) Inventor: **Daisuke Mori**, Toyohashi (JP)
- (73) Assignee: **NEWFREY LLC**, New Britain, CT (US)
- (**) Term: **15 Years**
- (21) Appl. No.: **29/725,248**
- (22) Filed: **Feb. 24, 2020**

8,365,375	B2 *	2/2013	Lin	B21J 15/326
					29/243.525
8,689,419	B2 *	4/2014	Lin	B21J 15/105
					29/243.525
D707,519	S *	6/2014	Masugata	D8/68
8,904,612	B1 *	12/2014	Lin	B21J 15/105
					29/243.525
9,248,494	B2 *	2/2016	Lin	B21J 15/22
D752,936	S *	4/2016	King	D8/68
D781,121	S *	3/2017	King	D8/68
9,889,495	B2 *	2/2018	Masugata	B21J 15/045
10,105,751	B2 *	10/2018	Lesperance	B21J 15/043
D833,846	S *	11/2018	Mori	D8/68
10,232,429	B1 *	3/2019	Lin	B21J 15/28

* cited by examiner

- (30) **Foreign Application Priority Data**
- Sep. 20, 2019 (JP) 2019-021050
- (51) **LOC (13) Cl.** **08-05**
- (52) **U.S. Cl.**
- USPC **D8/68**
- (58) **Field of Classification Search**
- USPC D8/61, 67, 68
- CPC . B21J 15/043; B21J 15/22; B21J 15/36; B21J 15/38; B21J 15/105; B21J 15/326
- See application file for complete search history.

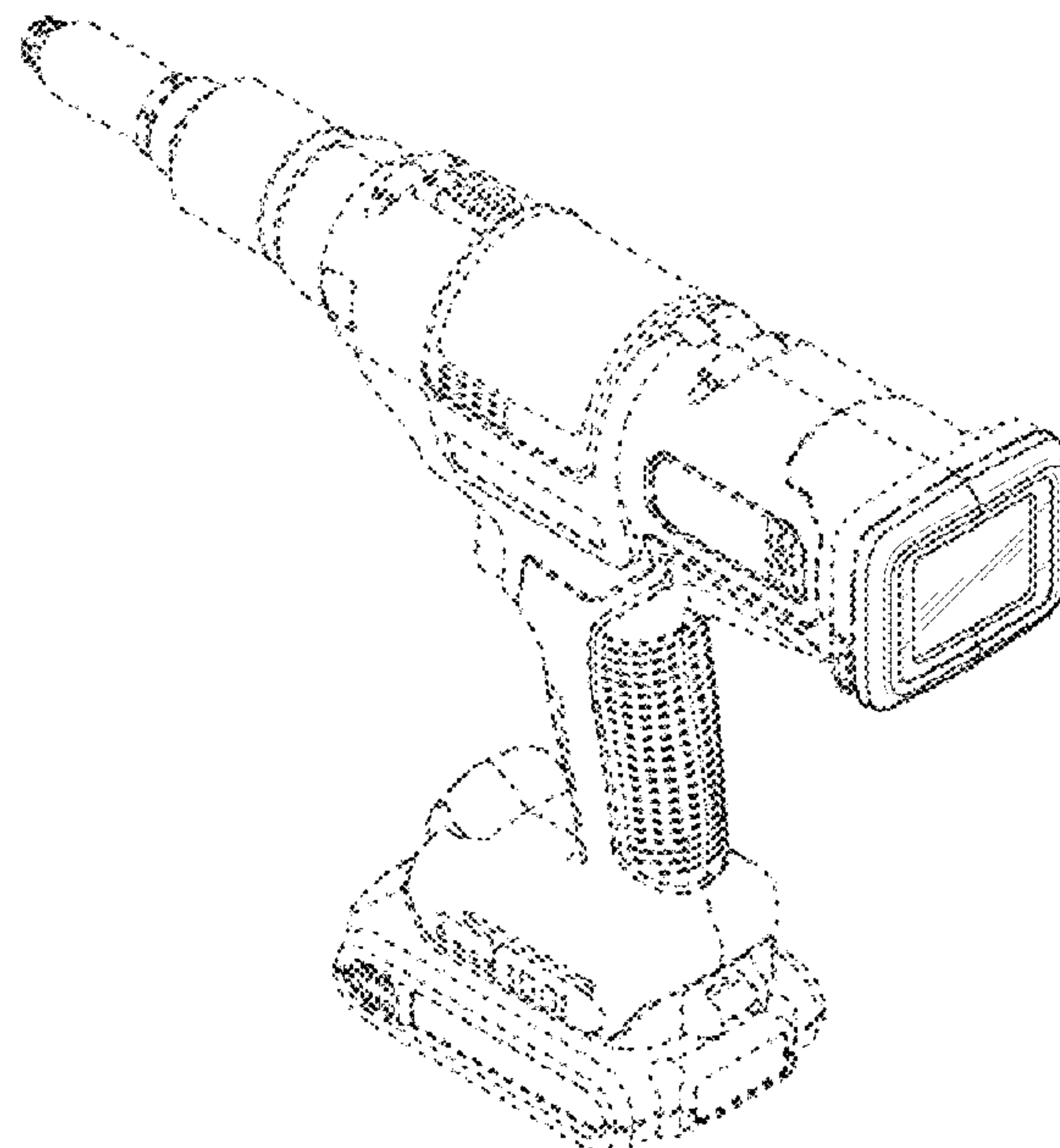
Primary Examiner — Darlington Ly
(74) *Attorney, Agent, or Firm* — Kofi A. Schulerbrandt

- (56) **References Cited**
- U.S. PATENT DOCUMENTS
- D256,658 S * 9/1980 Ewig D8/61
- D280,071 S * 8/1985 Oefinger D23/225
- D371,299 S * 7/1996 Rosier D8/68
- D423,896 S * 5/2000 Steiner D8/61
- D462,883 S * 9/2002 Steiner D8/68
- D503,327 S * 3/2005 Ziegert D8/69
- 7,299,961 B2 * 11/2007 Stavig, Jr B21J 15/02
- 227/107
- 8,109,123 B2 * 2/2012 Chen B21J 15/105
- 72/21.1

(57) **CLAIM**
The ornamental design for a fastener fastening tool, as shown and described.

DESCRIPTION
FIG. 1 is a top and rear perspective view of a fastener fastening tool embodying my new design;
FIG. 2 is a bottom and front perspective view thereof;
FIG. 3 is a left side elevation view thereof;
FIG. 4 is a right side elevation view thereof;
FIG. 5 is a front elevation view thereof;
FIG. 6 is a rear elevation view thereof;
FIG. 7 is a top plan view thereof; and,
FIG. 8 is a bottom plan view thereof.
The broken lines in the drawings illustrate portions of the fastener fastening tool that form no part of the claimed design. The dash-dot broken lines in the drawings define the boundaries of the claim.

1 Claim, 6 Drawing Sheets



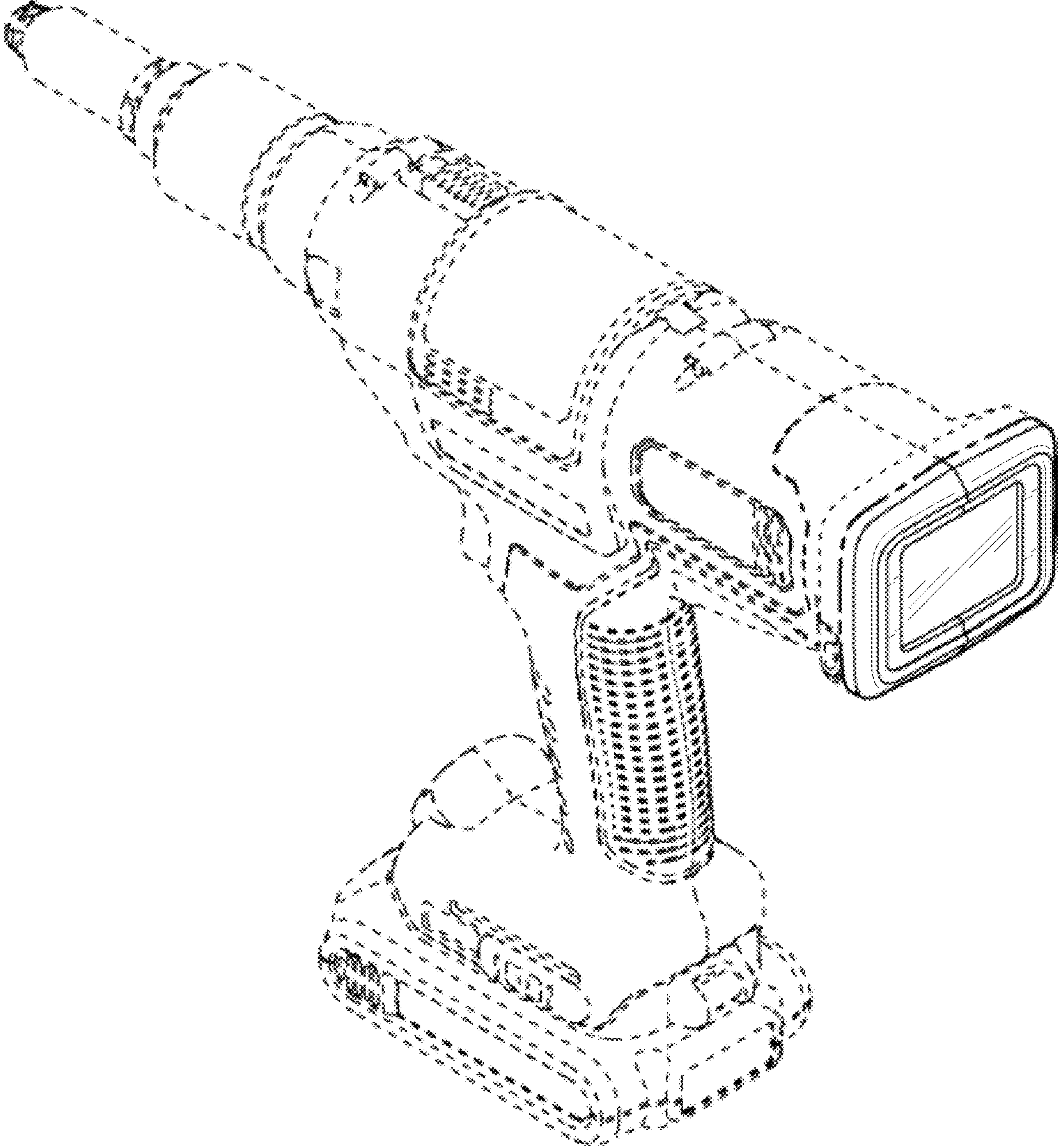


Fig. 1

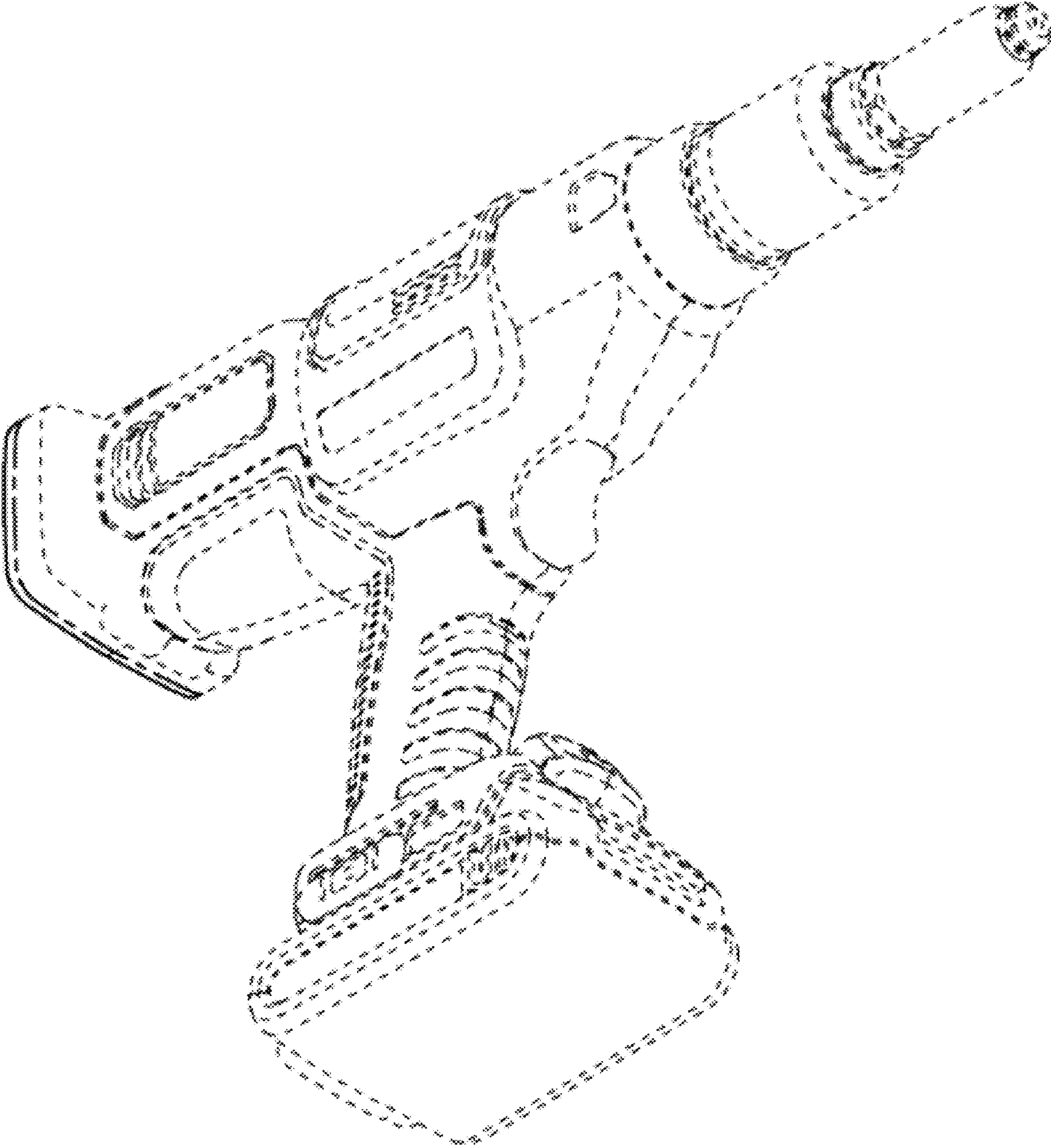


Fig. 2

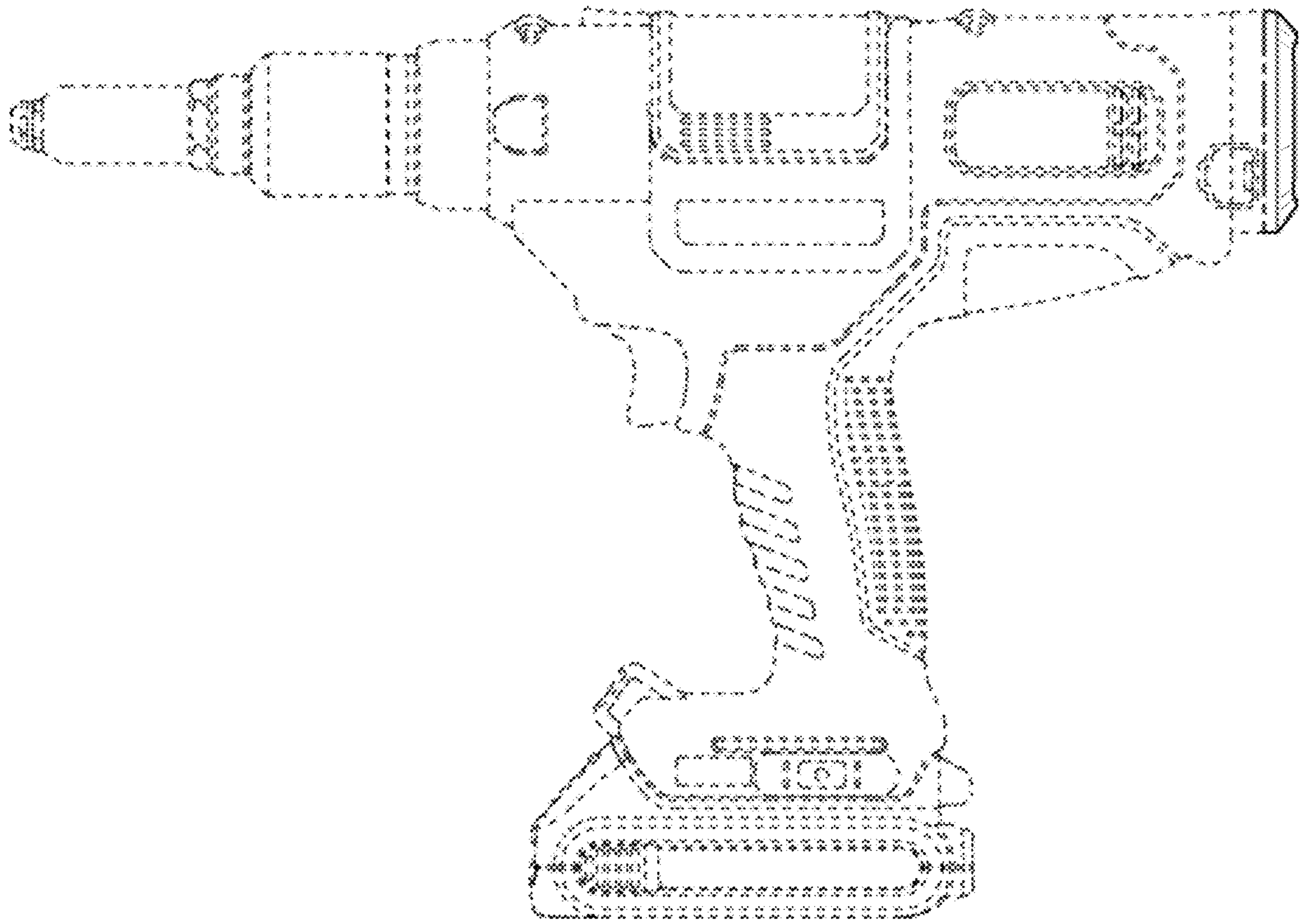


Fig. 3

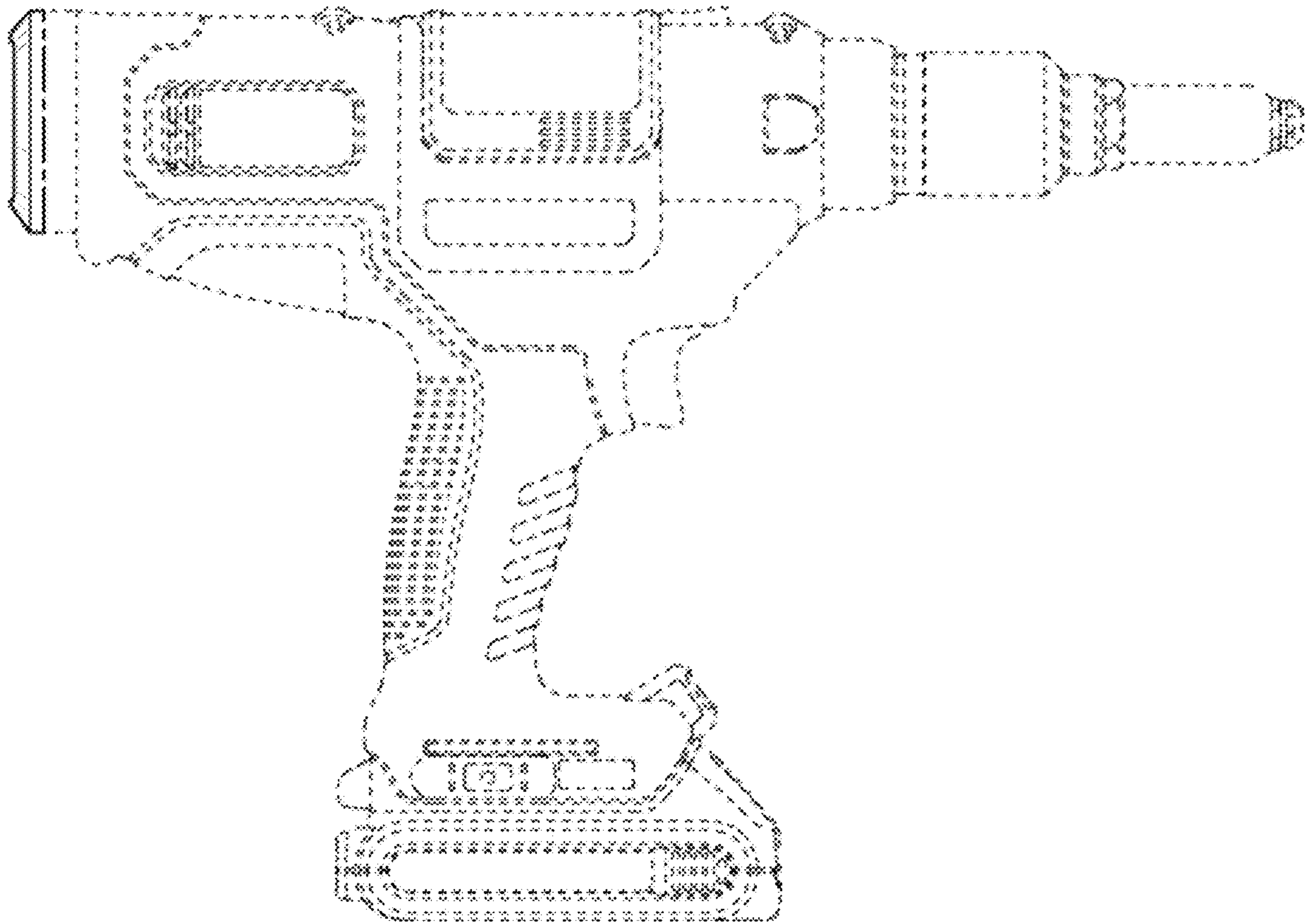


Fig. 4

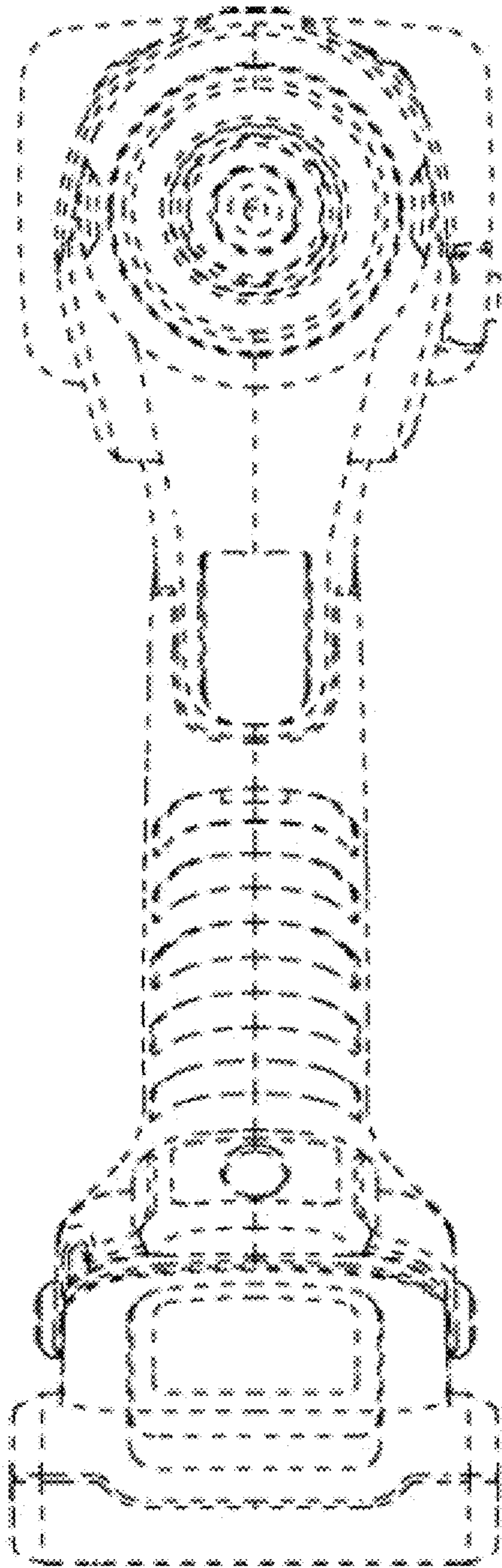


Fig. 5

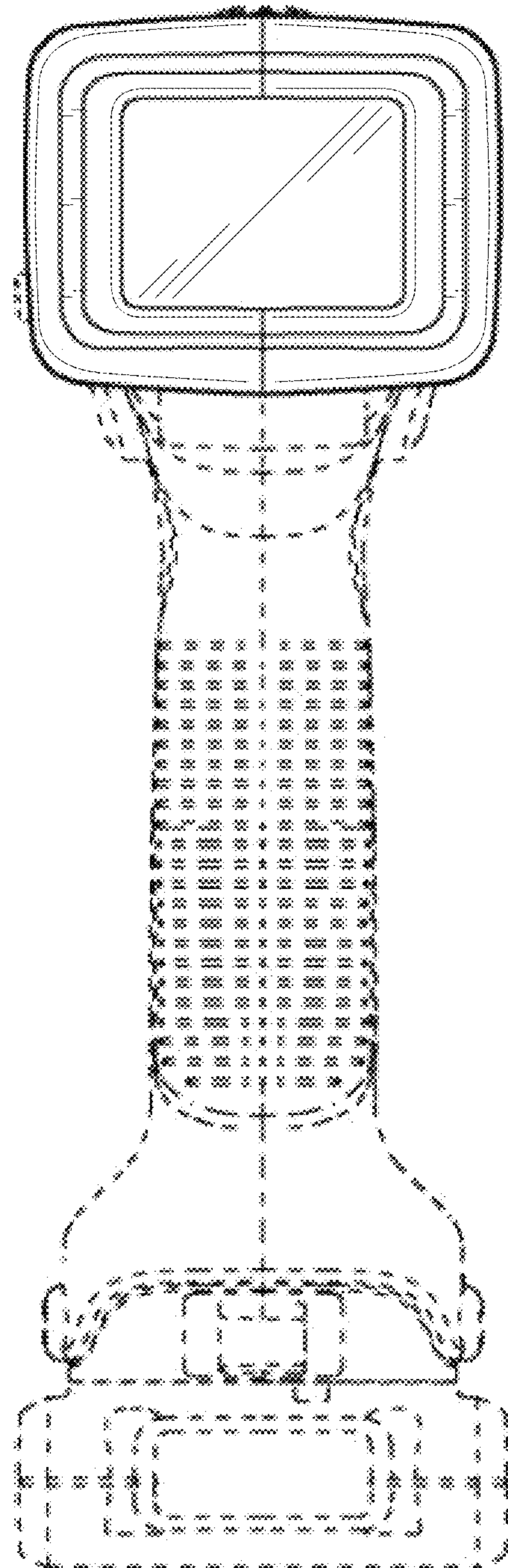


Fig. 6

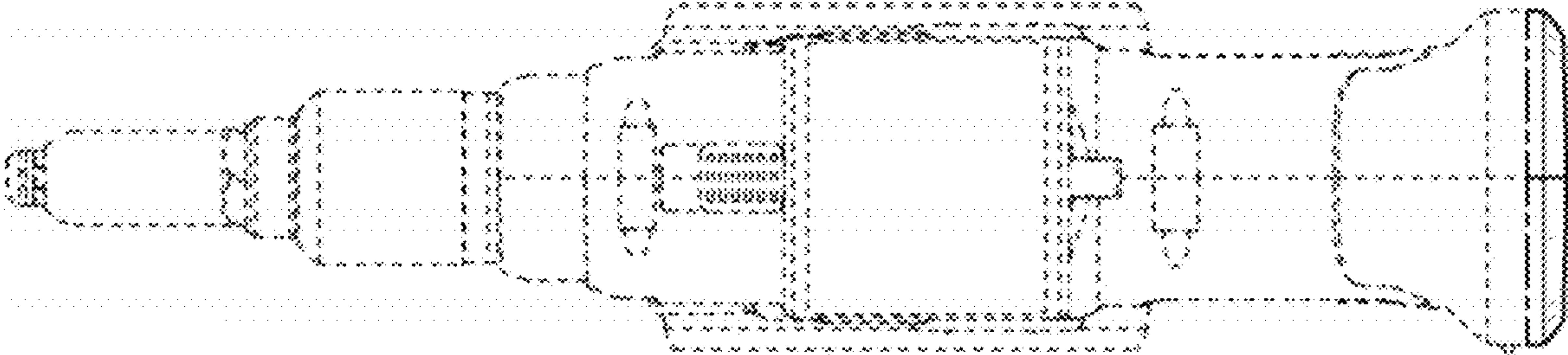


Fig. 7

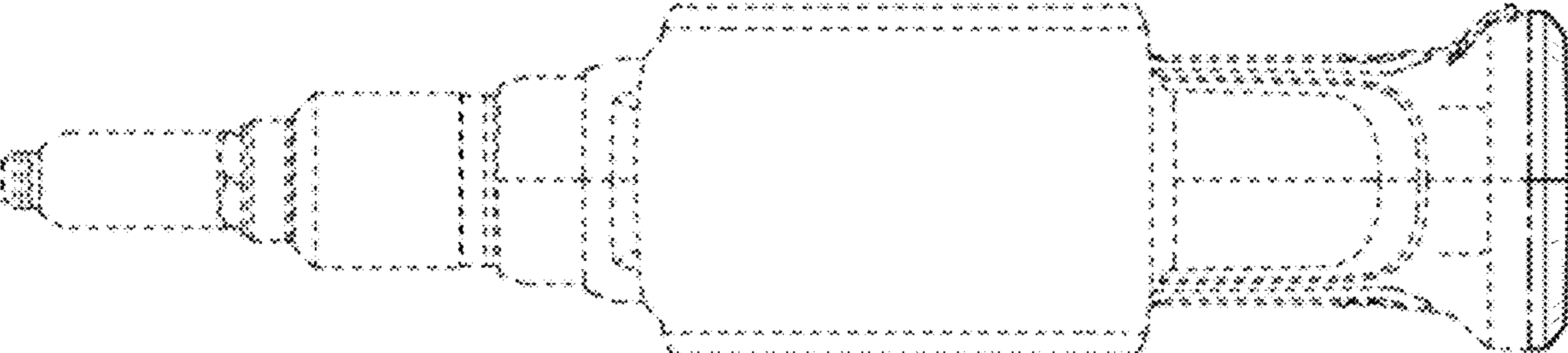


Fig. 8