



US00D955196S

(12) **United States Design Patent**  
**Zhu**

(10) **Patent No.:** **US D955,196 S**  
(45) **Date of Patent:** **\*\* Jun. 21, 2022**

(54) **POLISHER**

(71) Applicant: **Haixin Zhu**, Qidong (CN)

(72) Inventor: **Haixin Zhu**, Qidong (CN)

(\*\*) Term: **15 Years**

(21) Appl. No.: **29/809,552**

(22) Filed: **Sep. 28, 2021**

(51) **LOC (13) Cl.** ..... **08-03**

(52) **U.S. Cl.**  
USPC ..... **D8/62**

(58) **Field of Classification Search**  
USPC ..... D8/67, 62, 61, 70; D32/15, 17, 19;  
D4/102; 451/456, 451, 359, 358, 357,  
451/356, 355, 364, 344; 144/154.5, 373;  
30/475  
CPC .. B24B 29/00; B24B 5/00; B24D 5/00; B24D  
9/00; B25F 5/00  
See application file for complete search history.

(56) **References Cited**

**U.S. PATENT DOCUMENTS**

D528,386 S *	9/2006	Wu	.....	D8/62
D636,243 S *	4/2011	Liu	.....	D8/62
D666,071 S *	8/2012	Aglassinger	.....	D8/62
D679,159 S *	4/2013	Waldron	.....	D8/62
D718,998 S *	12/2014	Tirone	.....	D8/62
D781,008 S	3/2017	Griot et al.	.....	
D819,418 S *	6/2018	Gooden	.....	D8/62
D831,458 S *	10/2018	Itoh	.....	D8/62
D858,238 S *	9/2019	Schirmacher	.....	D8/62
D863,912 S *	10/2019	Yang	.....	D8/62

D884,446 S *	5/2020	Hill	.....	D8/62
D887,240 S *	6/2020	Rossner	.....	D8/61
D924,028 S	7/2021	Gallahar et al.	.....	
2001/0004580 A1 *	6/2001	Legner	.....	B25F 5/02 451/344
2005/0221738 A1 *	10/2005	Cooper	.....	B24B 23/00 451/357

\* cited by examiner

*Primary Examiner* — Austin Murphy

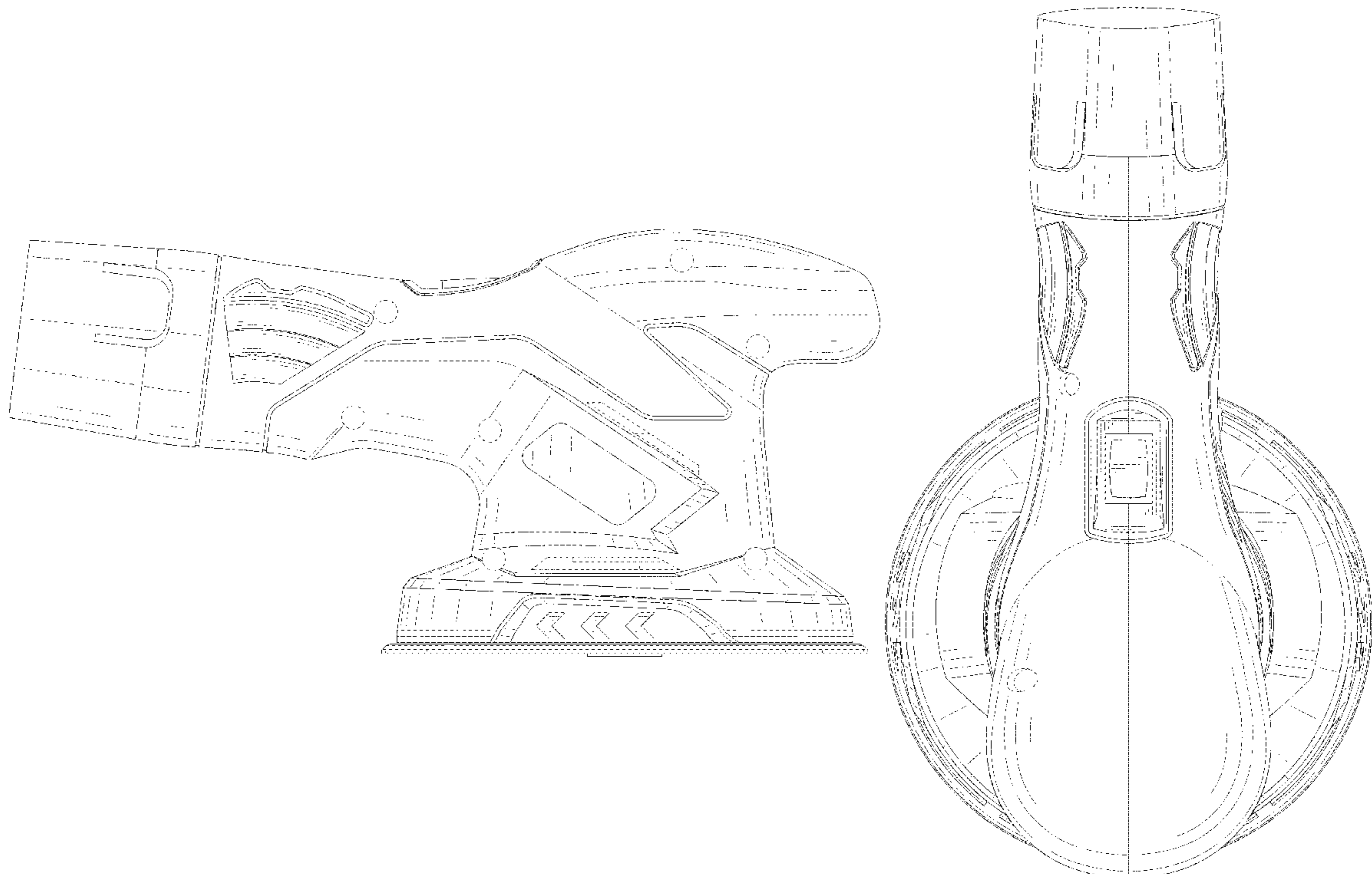
(57) **CLAIM**

The ornamental design for a polisher, as shown and described.

**DESCRIPTION**

FIG. 1 is a perspective view of a polisher showing my new design;  
FIG. 2 is another perspective view thereof;  
FIG. 3 is a front elevational view thereof;  
FIG. 4 is a rear elevational view thereof;  
FIG. 5 is a left side elevational view thereof;  
FIG. 6 is a right side elevational view thereof;  
FIG. 7 is a top plan view thereof;  
FIG. 8 is a bottom plan view thereof;  
FIG. 9 is an enlarged view of portion 9 shown in FIG. 1; and,  
FIG. 10 is an enlarged view of portion 10 shown in FIG. 1.  
The dash-dash broken lines in the drawings depict portions of the polisher that form no part of the claimed design. The dot-dash broken lines represent boundaries of the enlarged portions and form no part of the claimed design.

**1 Claim, 10 Drawing Sheets**



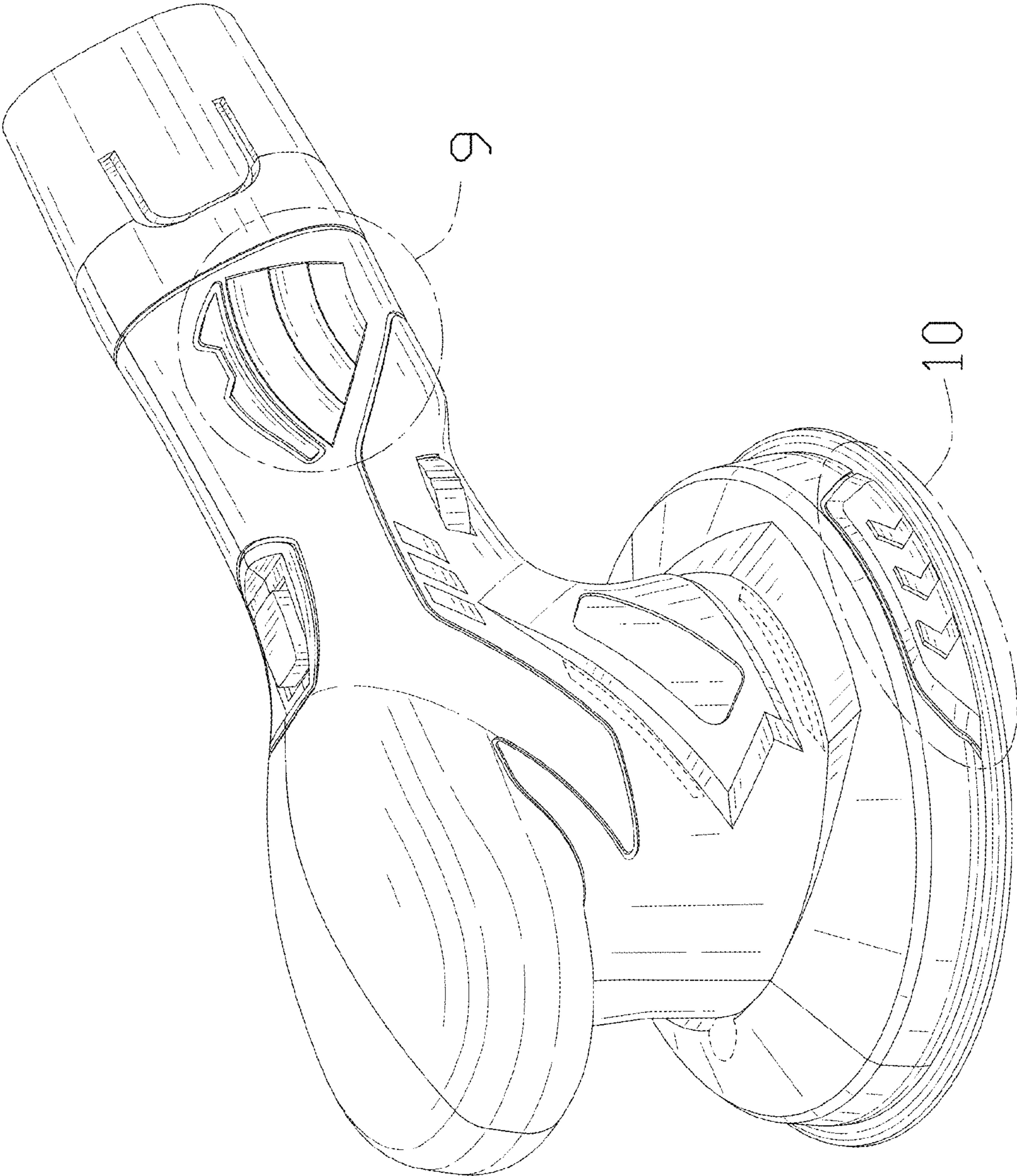


FIG. 1

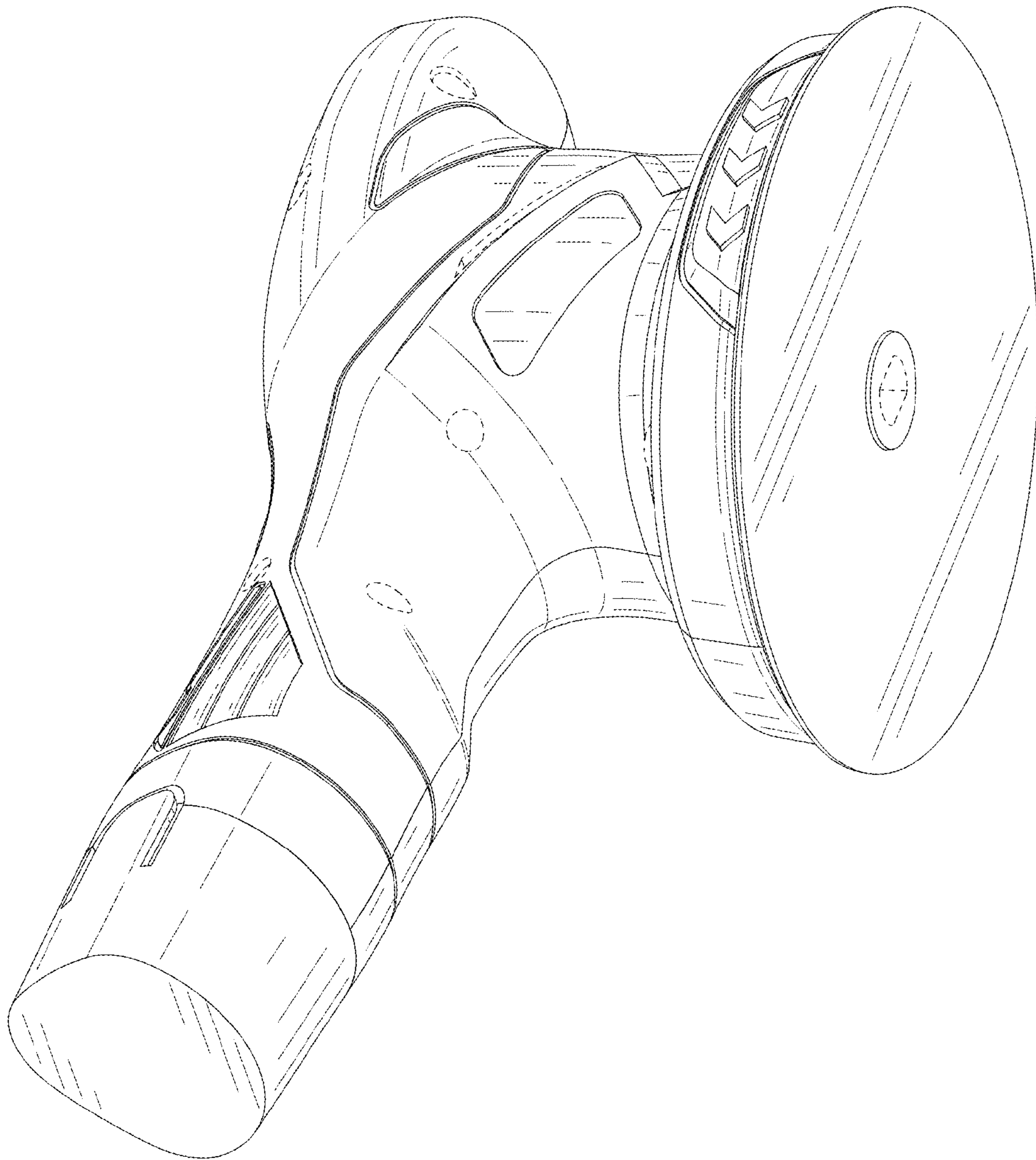


FIG. 2

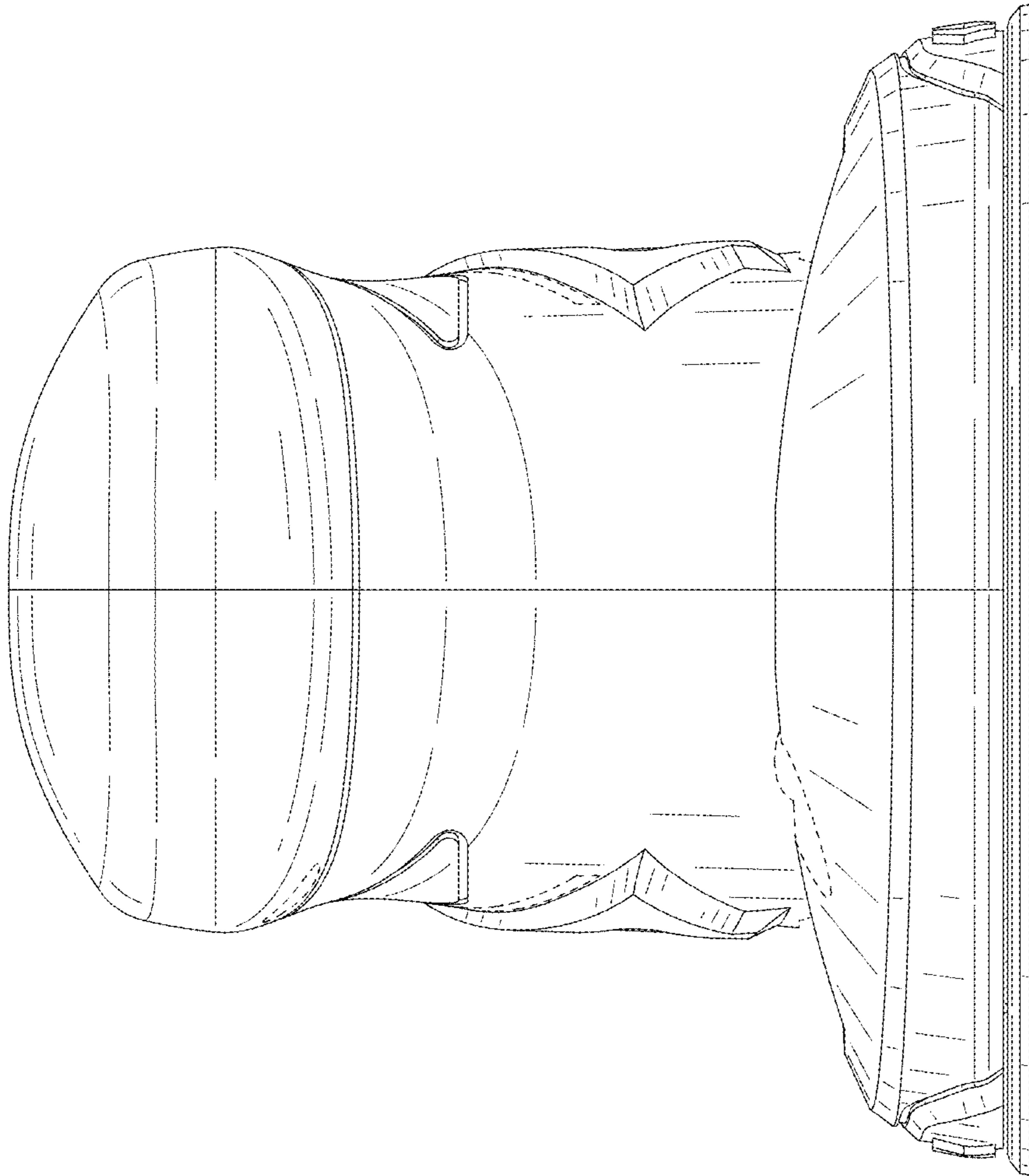


FIG. 3

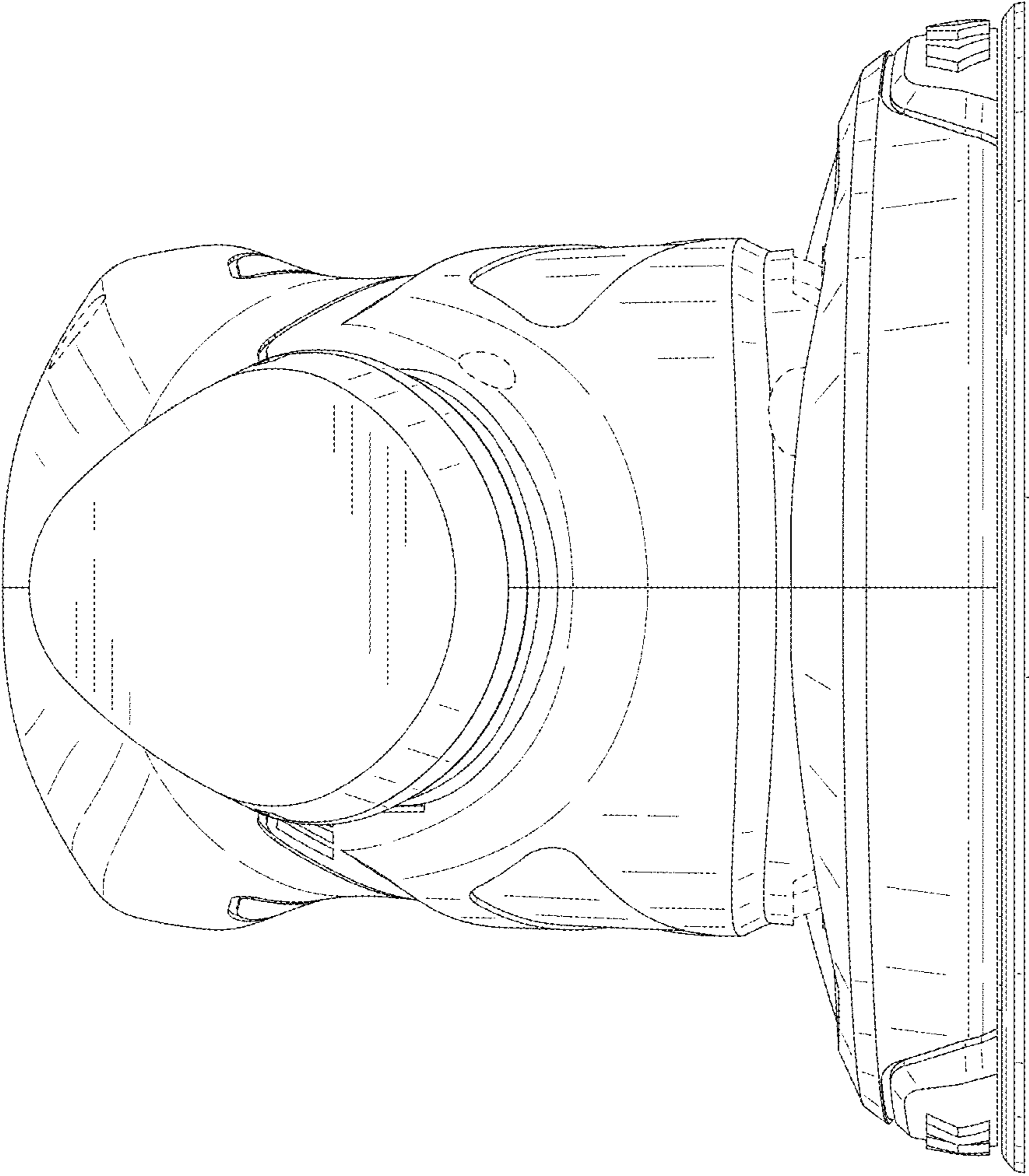


FIG. 4

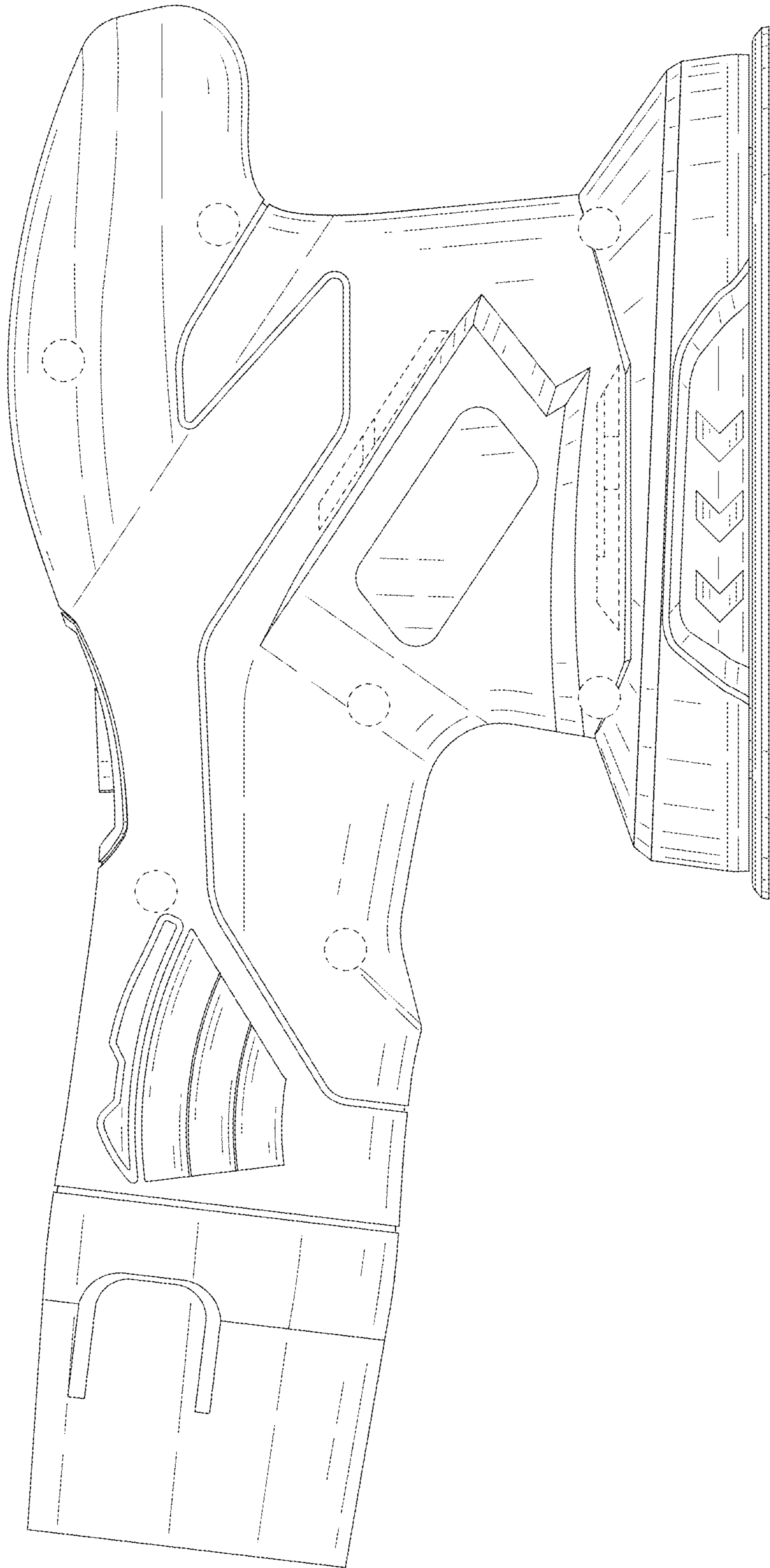


FIG. 5

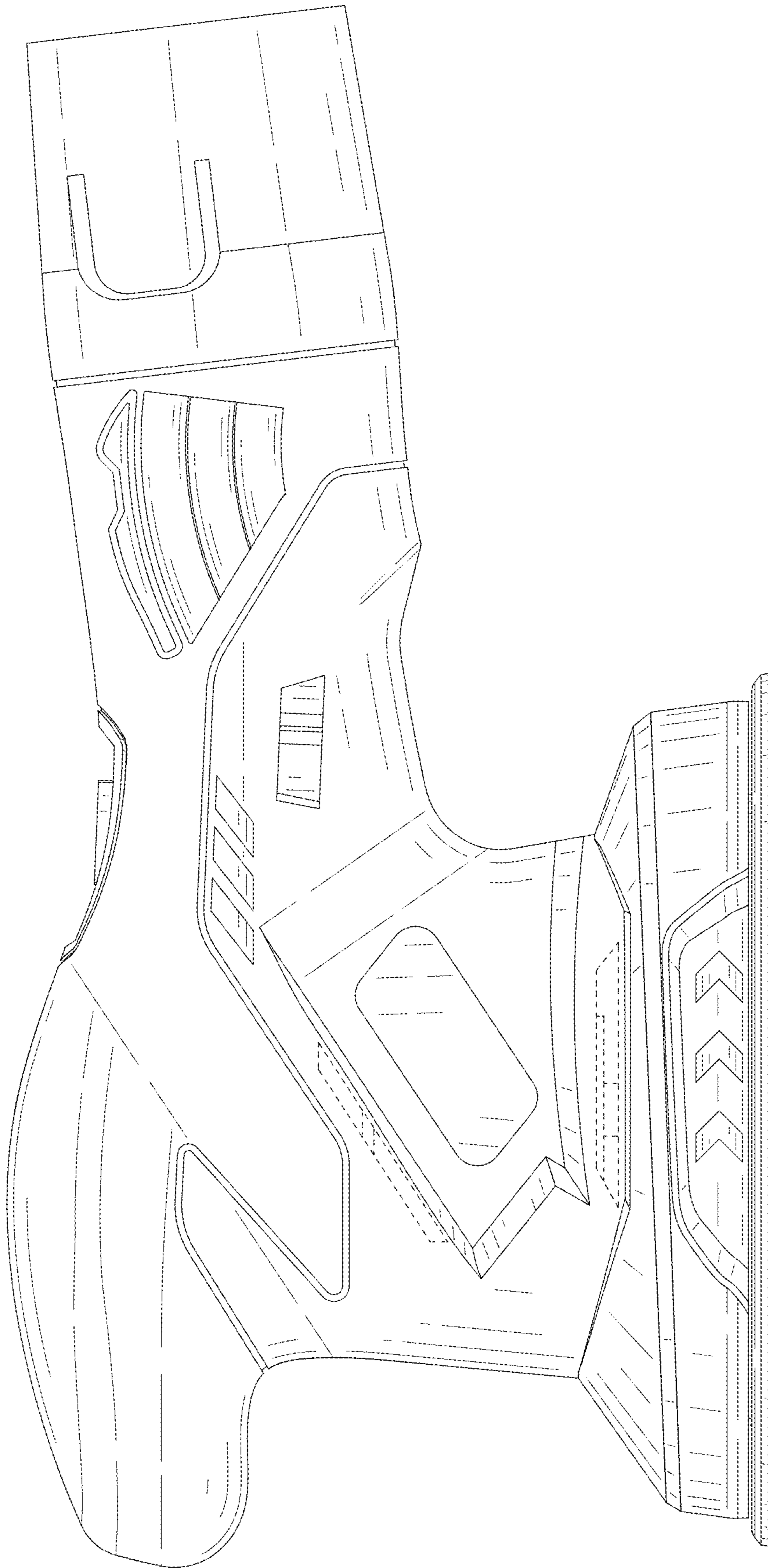


FIG. 6

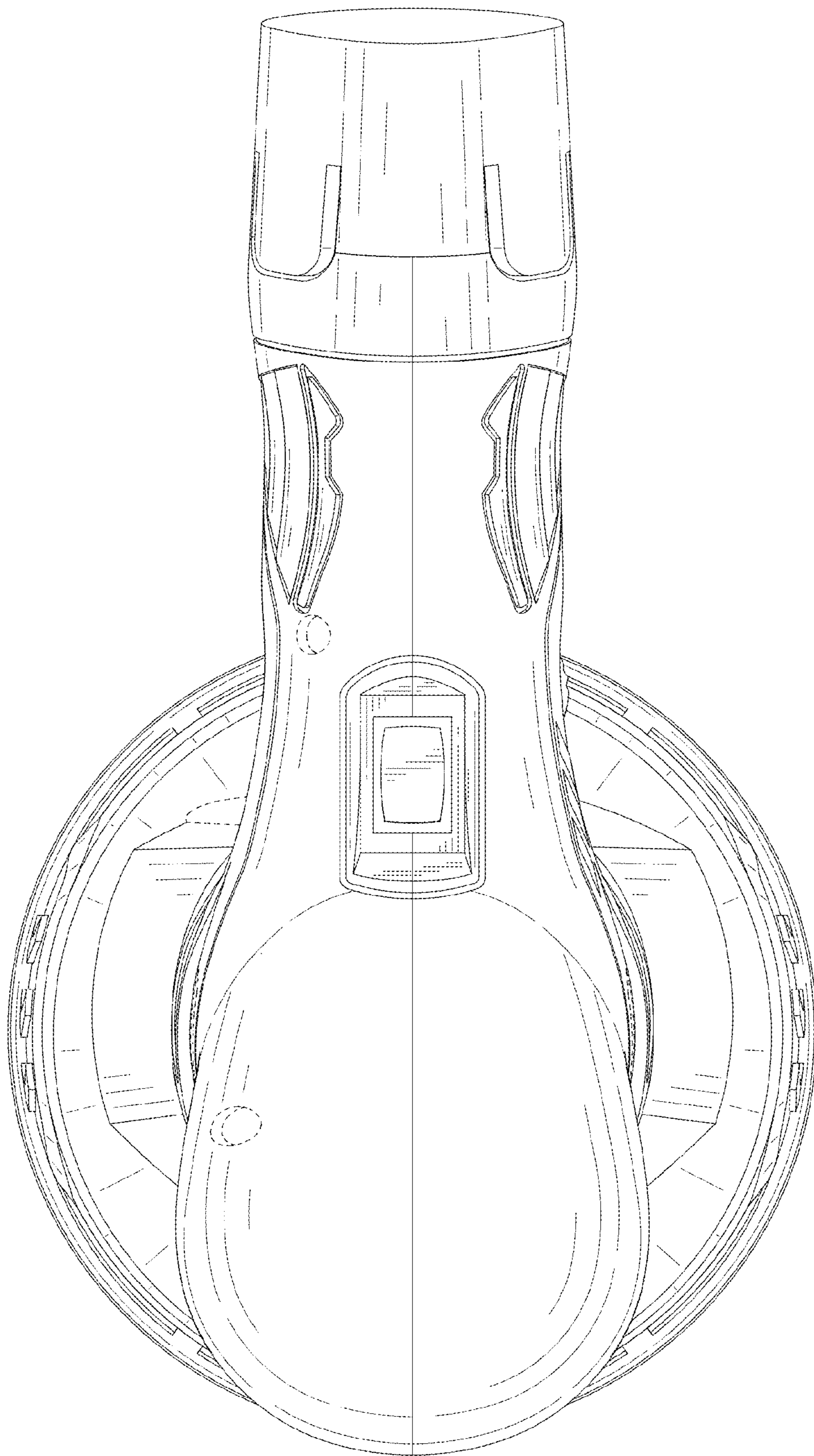


FIG. 7



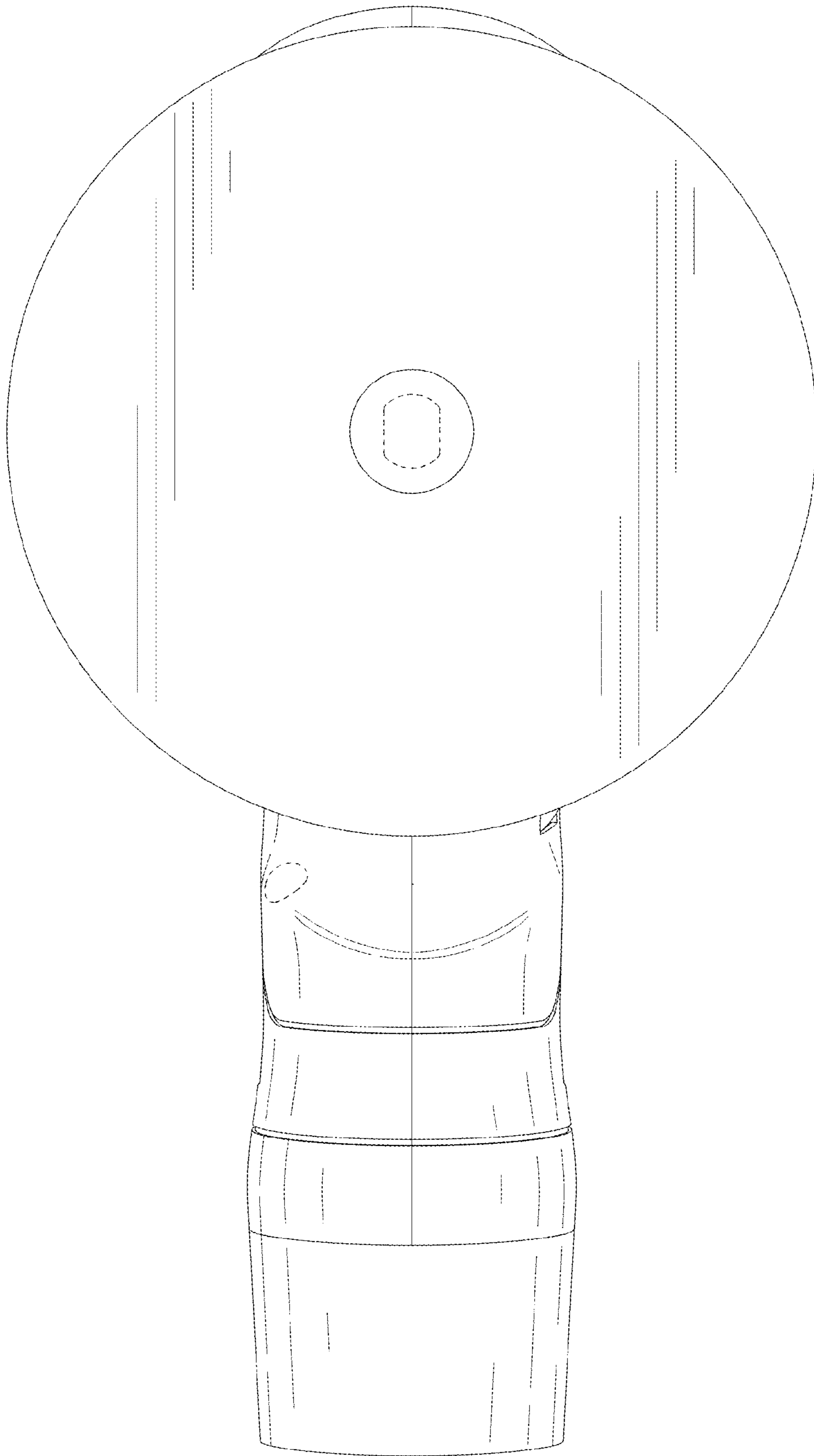


FIG. 8



FIG. 9

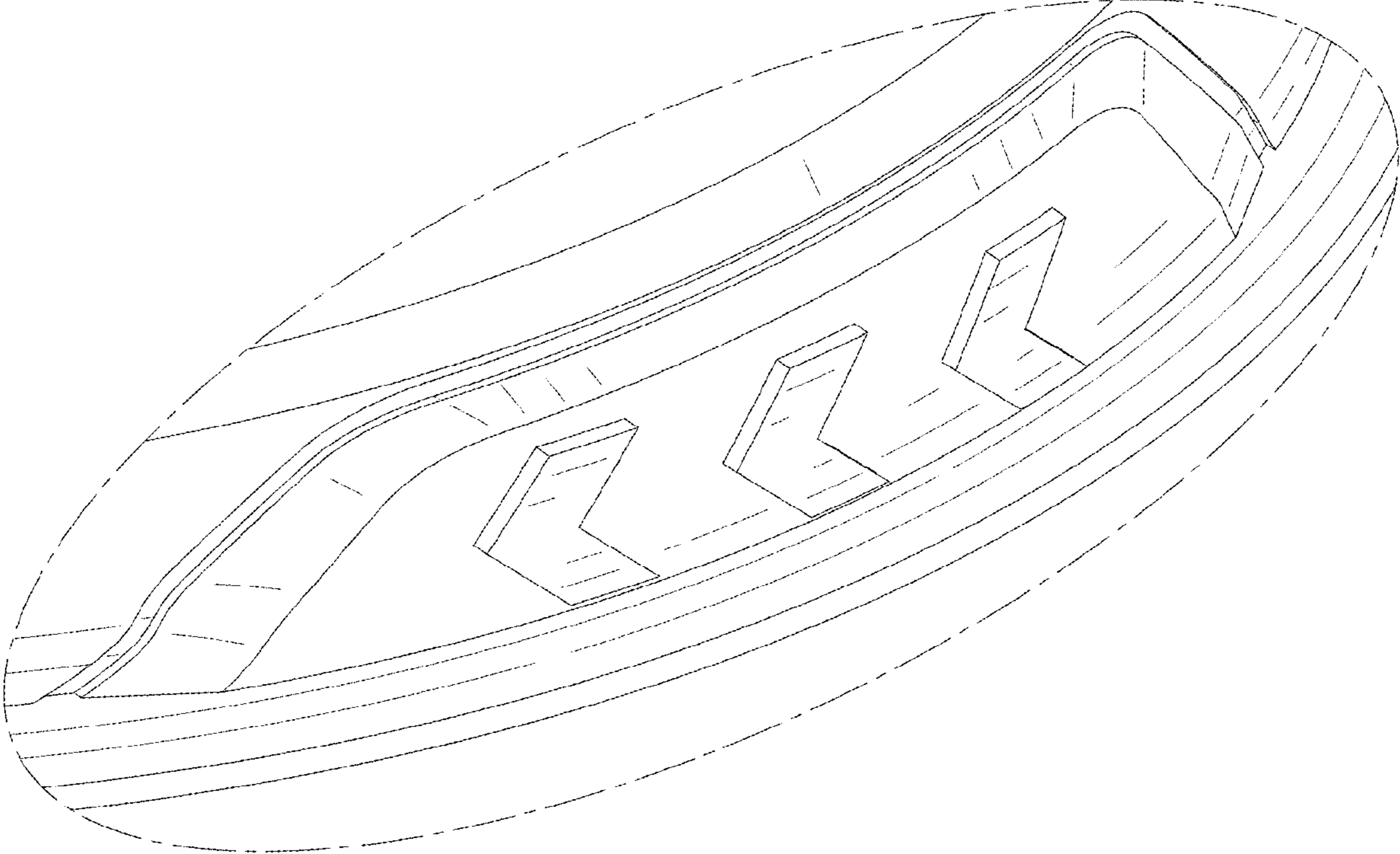


FIG. 10