



US00D955195S

(12) **United States Design Patent**
Irago

(10) **Patent No.:** **US D955,195 S**
(45) **Date of Patent:** **** Jun. 21, 2022**

(54) **STAPLE REMOVER**
(71) Applicant: **MAX CO., LTD.**, Tokyo (JP)
(72) Inventor: **Tomohiro Irago**, Tokyo (JP)
(73) Assignee: **MAX CO., LTD.**, Tokyo (JP)
(**) Term: **15 Years**

(21) Appl. No.: **29/768,513**
(22) Filed: **Jan. 29, 2021**

(30) **Foreign Application Priority Data**

Jul. 31, 2020 (JP) 2020-016090

(51) **LOC (13) Cl.** **08-05**
(52) **U.S. Cl.**
USPC **D8/48**

(58) **Field of Classification Search**
USPC D8/14, 16, 48, 89, 104; D19/65, 123
CPC B25C 11/00; B25C 5/13; B25C 5/15
See application file for complete search history.

(56) **References Cited**

U.S. PATENT DOCUMENTS

3,672,635 A * 6/1972 Munson B25C 11/02
227/63
5,653,424 A * 8/1997 Khan B25C 11/00
254/28
D383,783 S * 9/1997 Jeter D19/72
7,311,235 B2 * 12/2007 Aoki B43L 23/008
227/7

7,922,057 B2 * 4/2011 Ambjornsson B25C 5/025
227/119
8,191,863 B2 * 6/2012 Roberts B25C 11/00
254/21
8,387,952 B2 * 3/2013 Khan B25C 11/00
227/63
D751,364 S * 3/2016 Miller D8/48
2010/0207080 A1 * 8/2010 Roberts B25C 11/00
254/28
2011/0127474 A1 * 6/2011 Chen B25C 11/00
254/28

* cited by examiner

Primary Examiner — Keli L Hill

Assistant Examiner — Harold E Blackwell, II

(74) *Attorney, Agent, or Firm* — Weihrouch IP

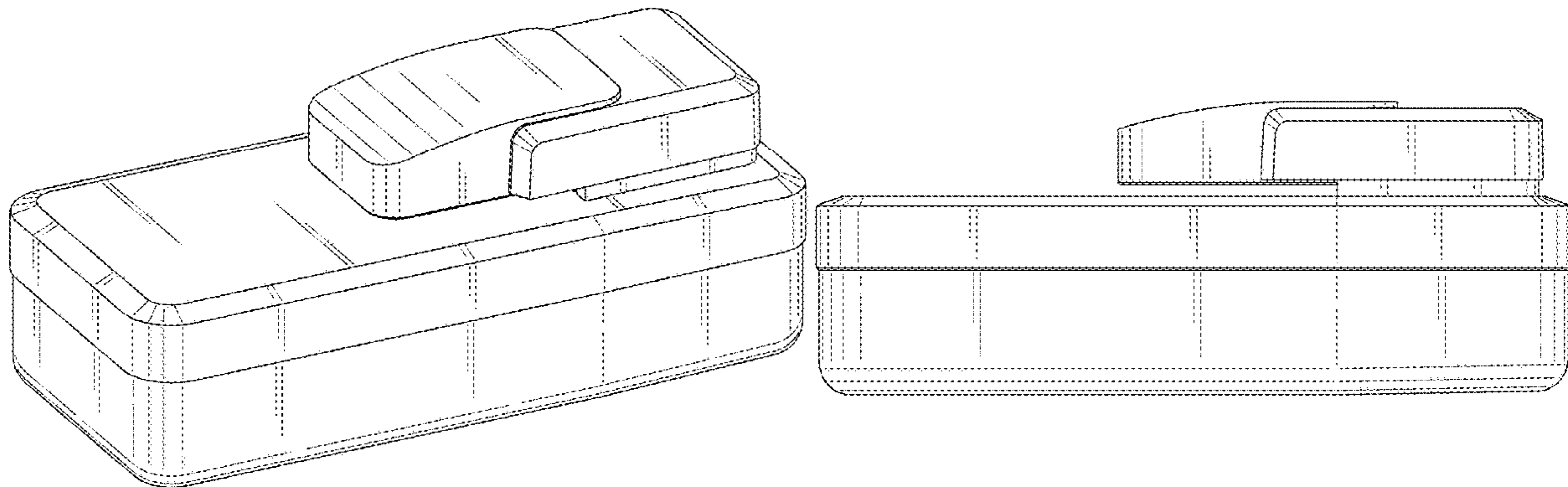
(57) **CLAIM**

The ornamental design for a staple remover, as shown and described.

DESCRIPTION

FIG. 1 is a perspective view of the front, top and left side of a staple remover showing my new design;
FIG. 2 is a perspective view of the rear, top and right side thereof;
FIG. 3 is a front view thereof;
FIG. 4 is a rear view thereof;
FIG. 5 is a left side view thereof;
FIG. 6 is a right side view thereof;
FIG. 7 is a top view thereof; and,
FIG. 8 is a bottom view thereof.

1 Claim, 7 Drawing Sheets



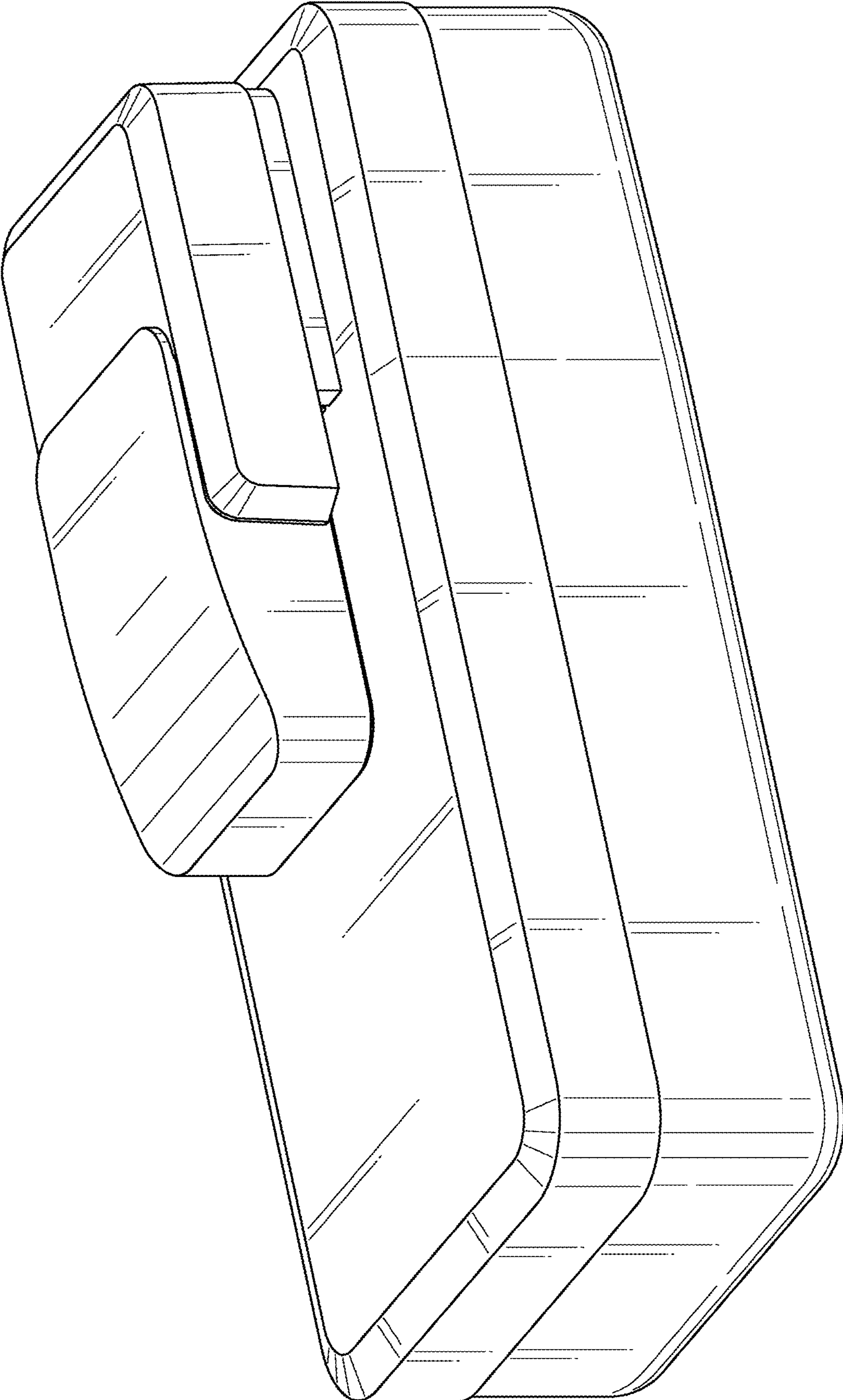


FIG. 1

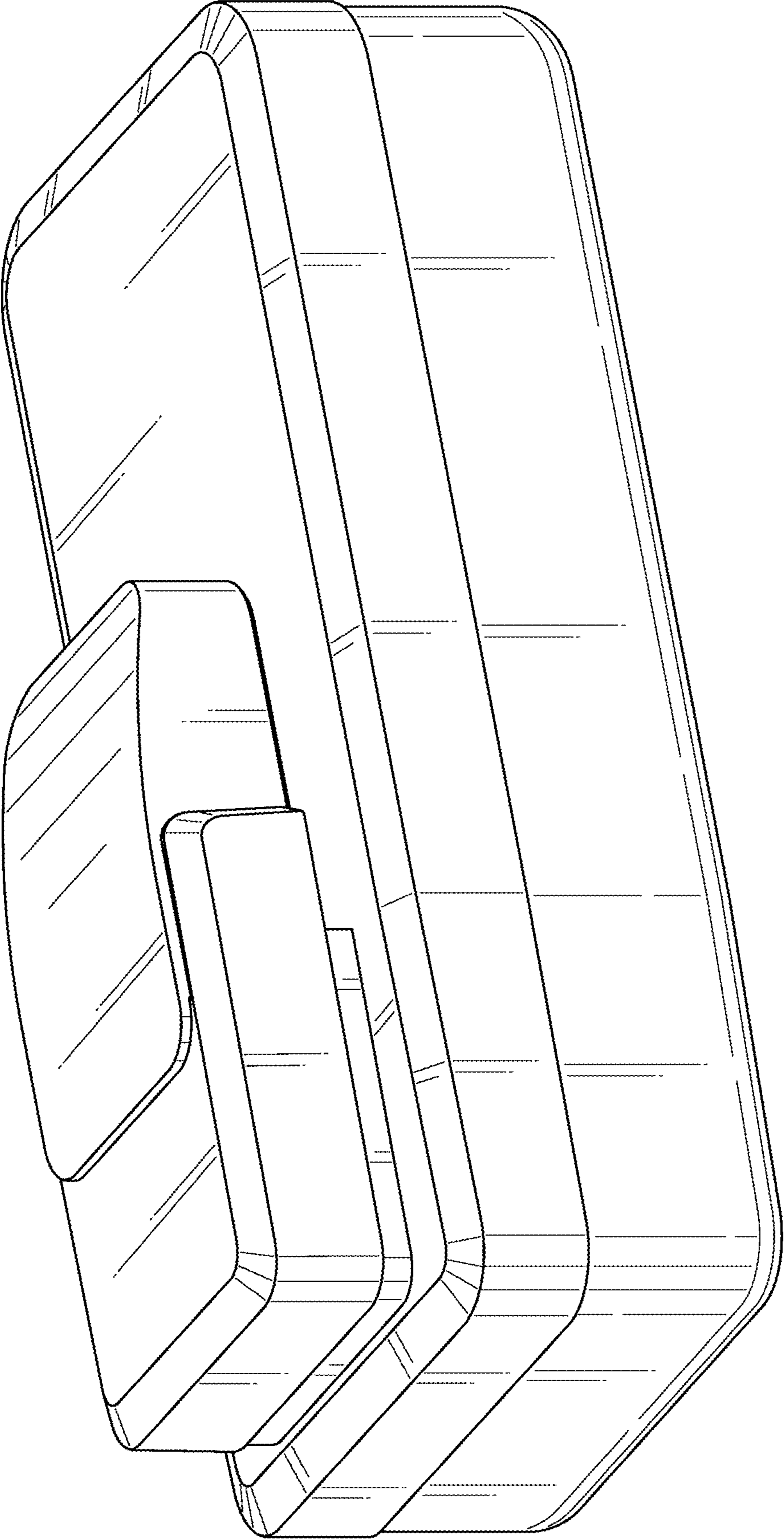


FIG. 2

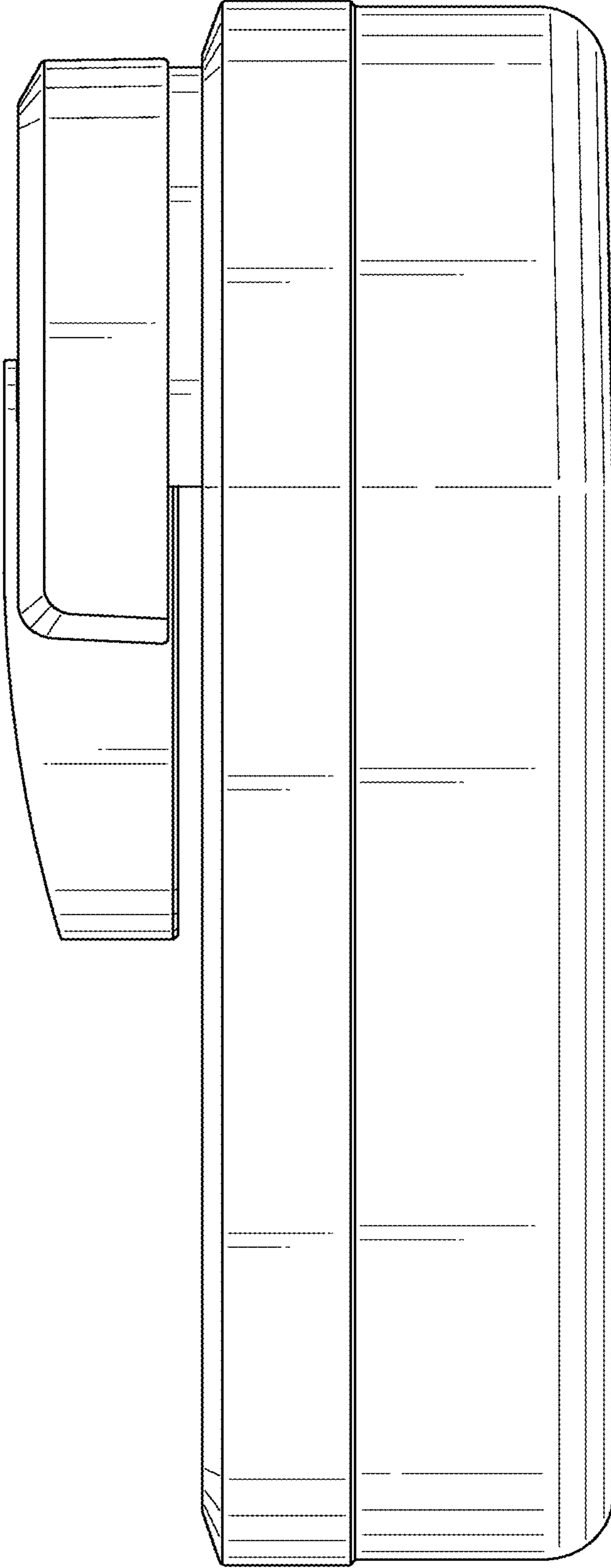


FIG. 3

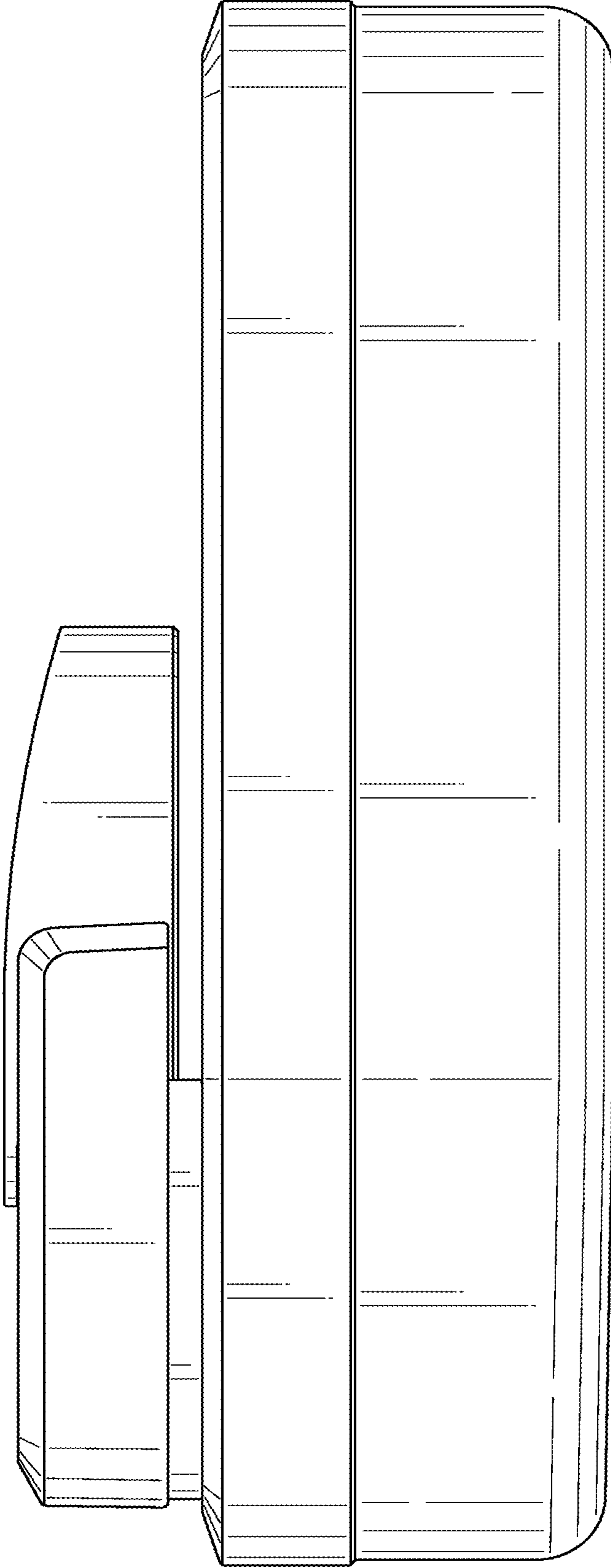


FIG. 4

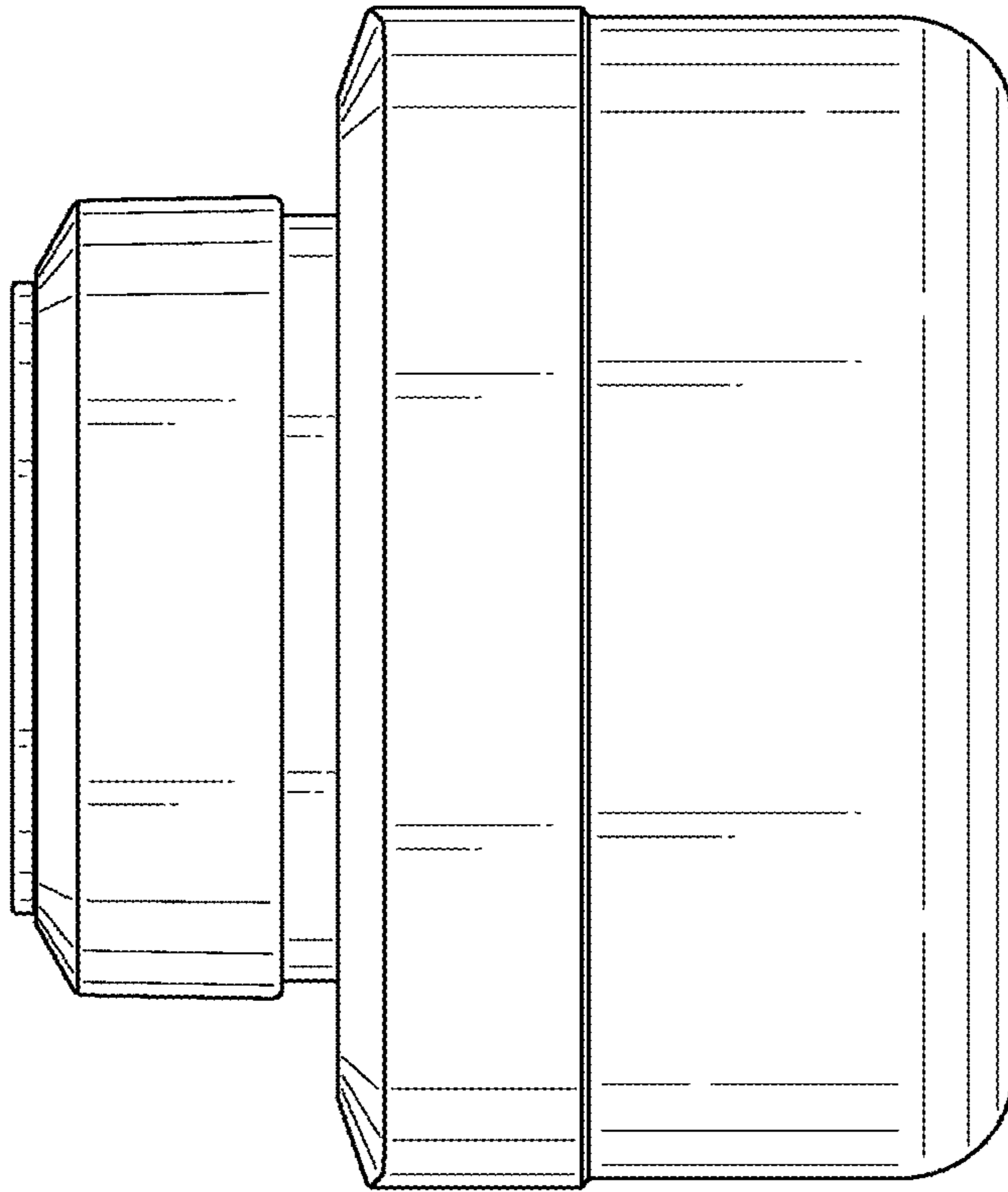


FIG. 6

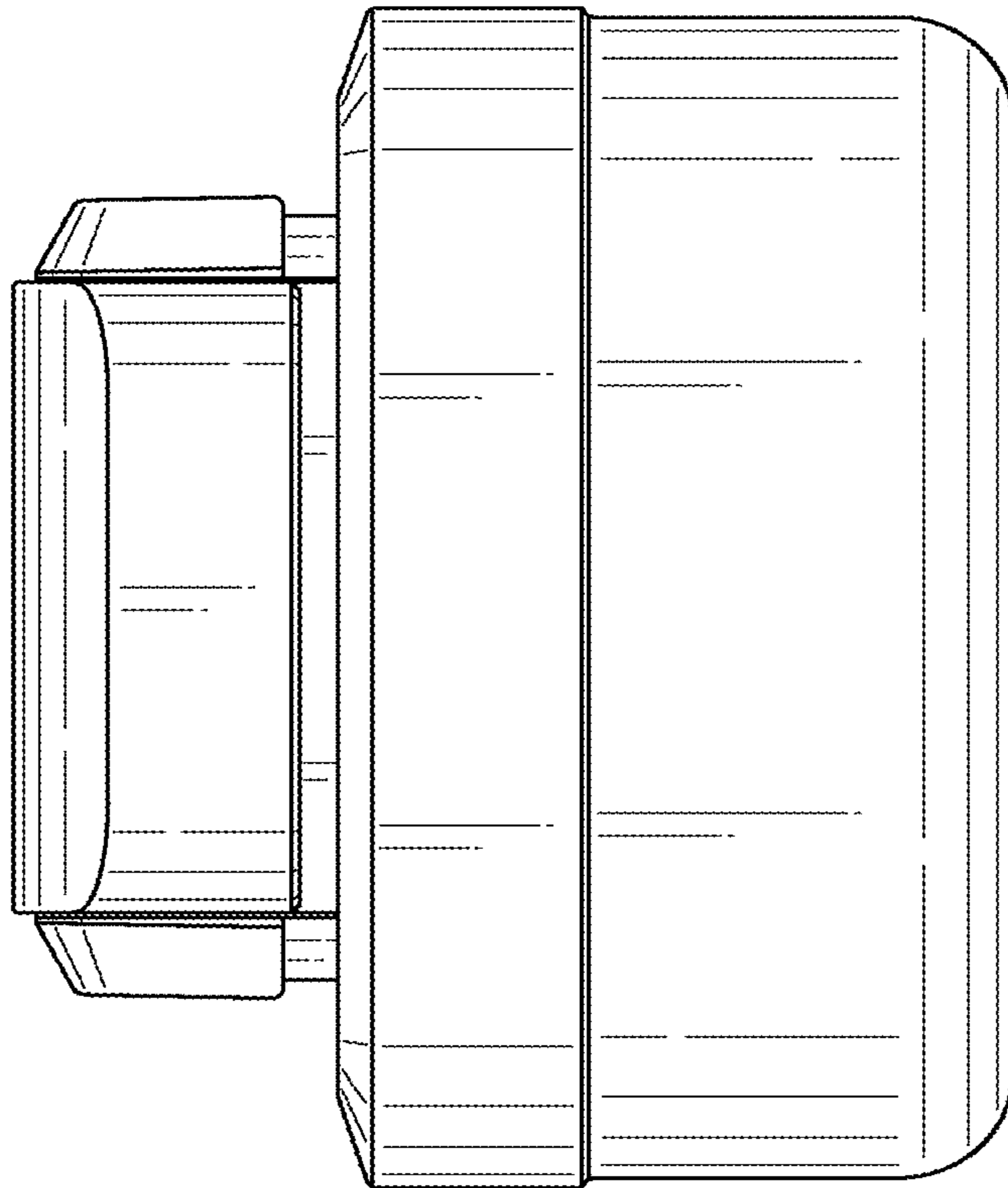


FIG. 5

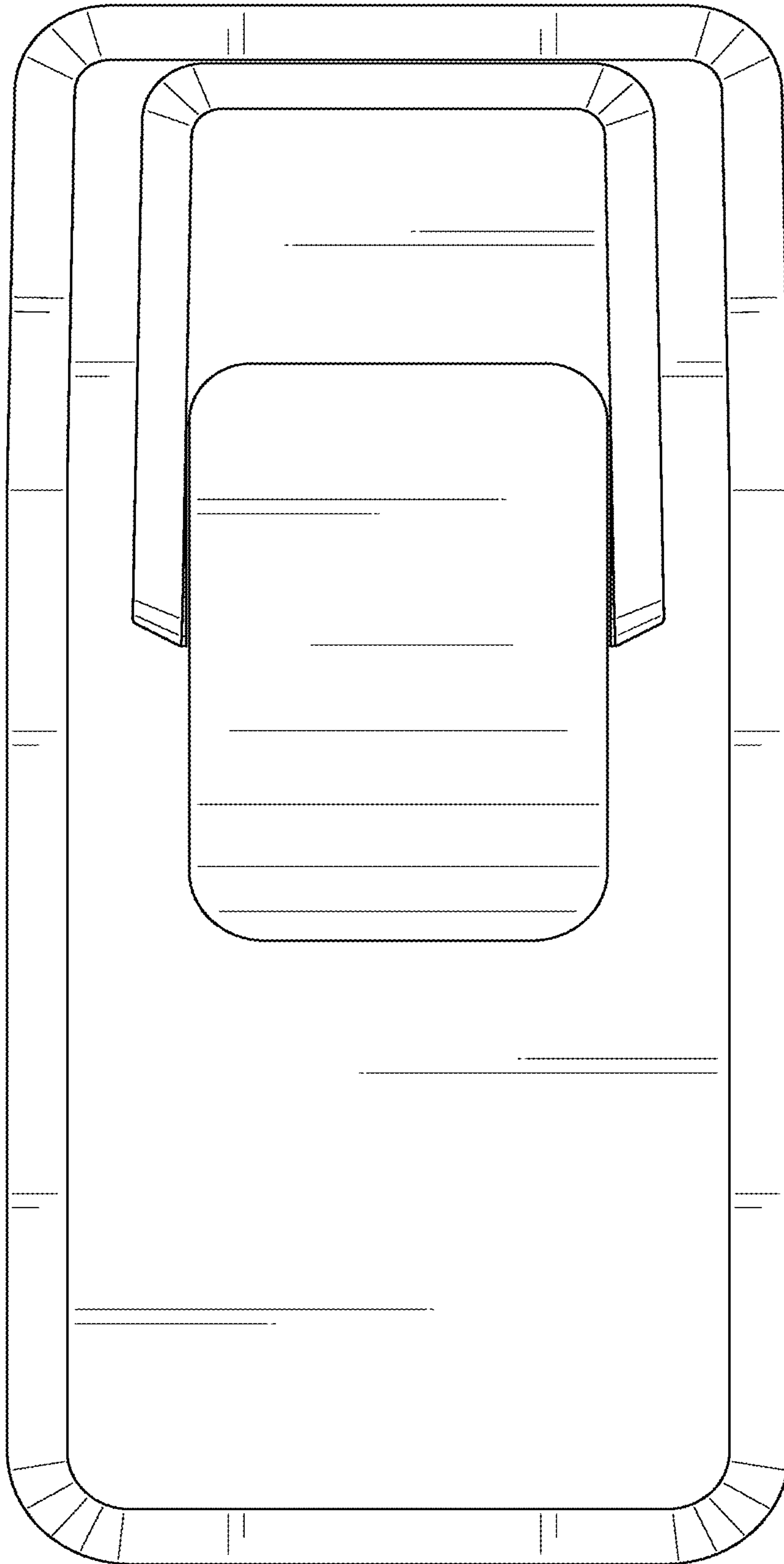


FIG. 7

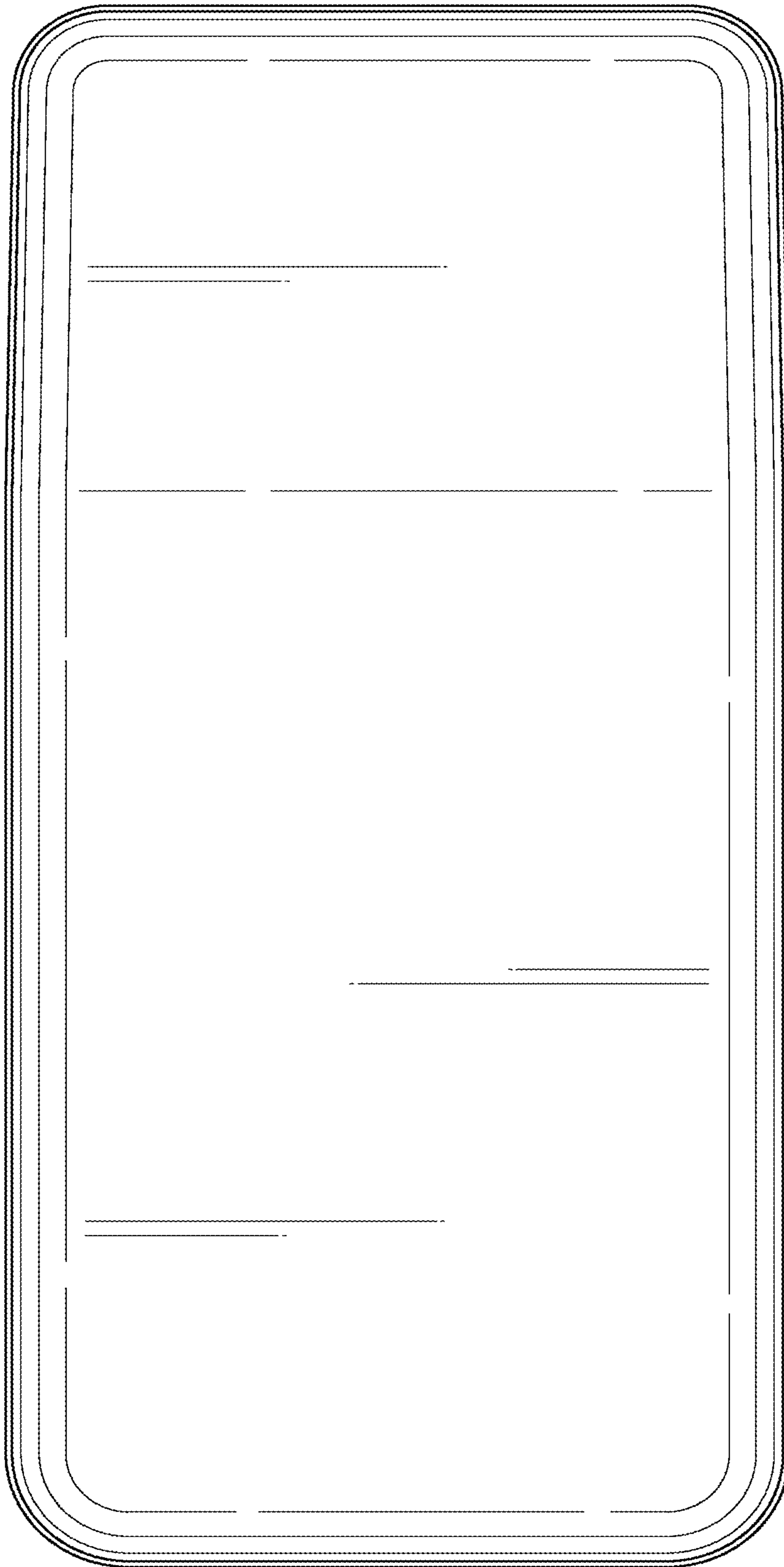


FIG. 8