



US00D955193S

(12) **United States Design Patent**
Xu

(10) **Patent No.:** **US D955,193 S**
(45) **Date of Patent:** **** Jun. 21, 2022**

(54) **SOLDERING IRON**

(71) Applicant: **Qiuxian Xu**, Putian (CN)

(72) Inventor: **Qiuxian Xu**, Putian (CN)

(**) Term: **15 Years**

(21) Appl. No.: **29/764,945**

(22) Filed: **Jan. 5, 2021**

(51) **LOC (13) Cl.** **08-05**

(52) **U.S. Cl.**
USPC **D8/30**

(58) **Field of Classification Search**

USPC D8/14, 29.1, 29.2, 30, 51; D15/144

CPC B23K 3/0615; B23K 3/063; B23K 3/06;

B23K 3/046; B23K 3/021; B23K 3/022;

B23K 3/023; B23K 3/033

See application file for complete search history.

(56) **References Cited**

U.S. PATENT DOCUMENTS

5,928,536 A * 7/1999 Lee B23K 3/033
219/229

6,989,511 B1 * 1/2006 Tsai H01R 13/5833
219/229

D847,233 S * 4/2019 Gou D15/144

D847,234 S * 4/2019 Gou D15/144

D847,235 S * 4/2019 Gou D15/144

D862,547 S * 10/2019 Xie D8/30

D865,014 S * 10/2019 Xu D8/30

D879,169 S * 3/2020 Xu D8/30

D887,801 S * 6/2020 Li D8/30

D891,209 S * 7/2020 Gou D8/30

D892,579 S * 8/2020 Cheng D8/30

D897,173 S * 9/2020 Ding D8/30
D904,843 S * 12/2020 Hollinger D8/30
D905,521 S * 12/2020 Ding D8/30
D935,500 S * 11/2021 Li D8/30
D937,645 S * 12/2021 Gou D8/30
2006/0108345 A1 * 5/2006 Shigekawa B23K 3/0369
219/229
2013/0105466 A1 * 5/2013 Teraoka B23K 3/033
219/538
2019/0240756 A1 * 8/2019 Weissenberger B23K 3/026

* cited by examiner

Primary Examiner — Philip S Hyder

(57) **CLAIM**

The ornamental design for a soldering iron, as shown and described.

DESCRIPTION

FIG. 1 is a perspective view of a soldering iron showing my new design;

FIG. 2 is another perspective view thereof;

FIG. 3 is a front elevational view thereof;

FIG. 4 is a rear elevational view thereof;

FIG. 5 is a left side elevational view thereof;

FIG. 6 is a right side elevational view thereof;

FIG. 7 is a top plan view thereof;

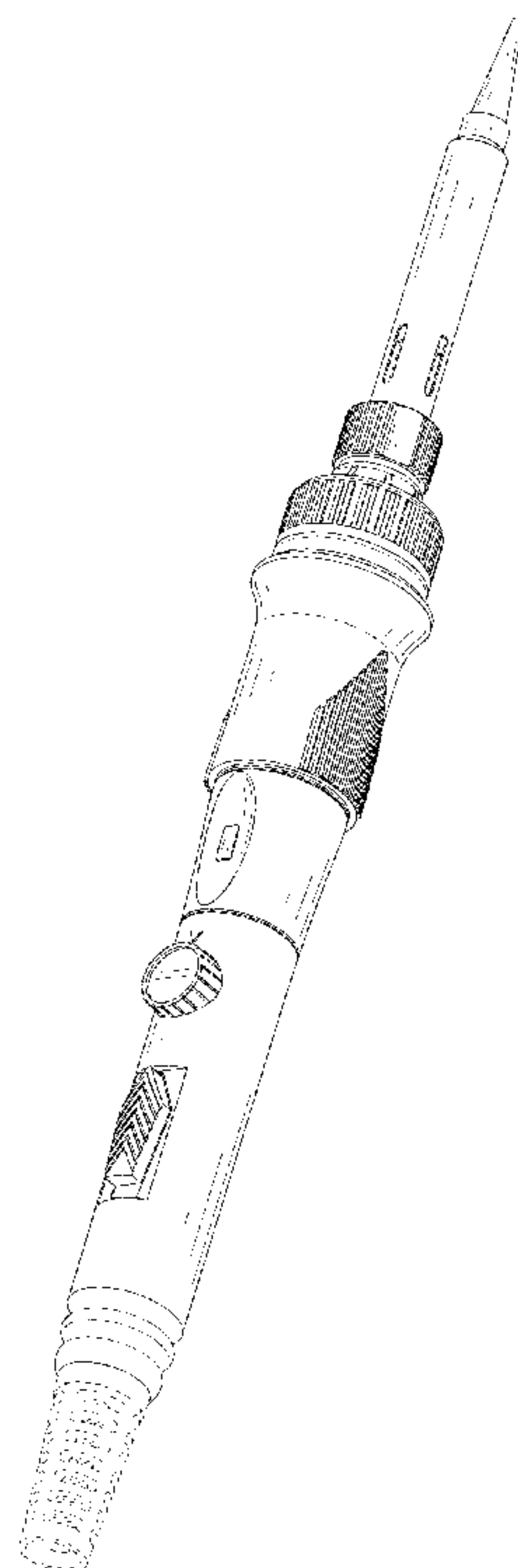
FIG. 8 is a bottom plan view thereof;

FIG. 9 is an enlarged top plan view of the soldering iron; and,

FIG. 10 is an enlarged bottom plan view of the soldering iron.

The broken lines in the drawings depict portions of the soldering iron that form no part of the claimed design.

1 Claim, 10 Drawing Sheets



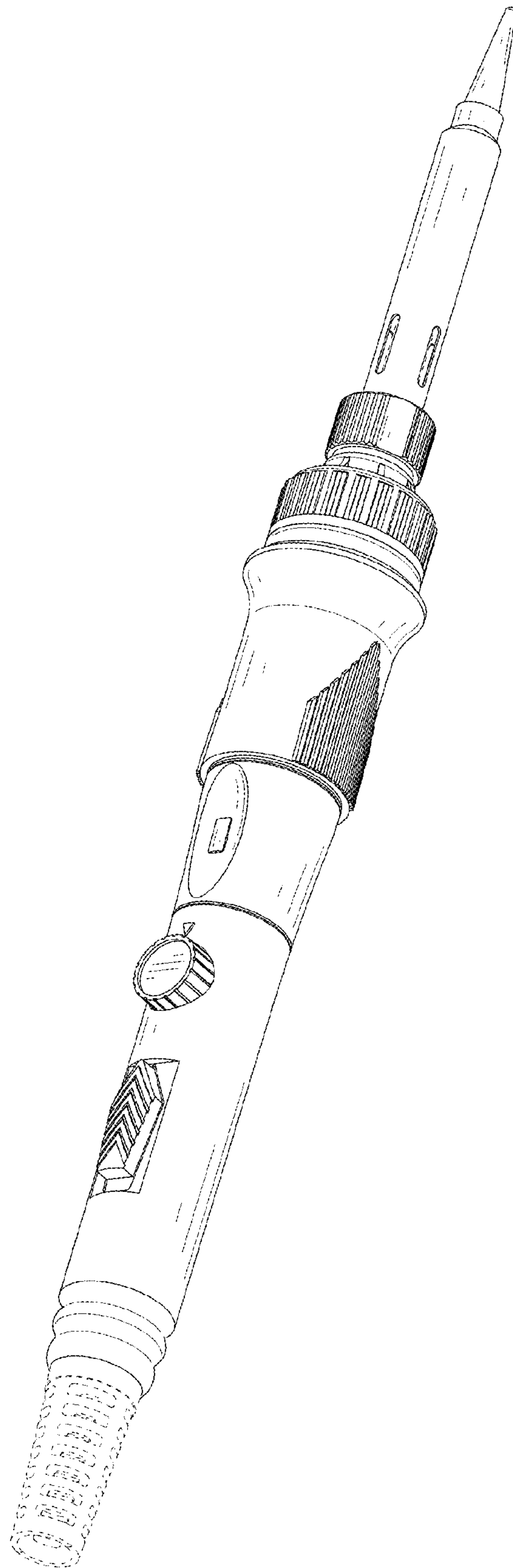


FIG. 1

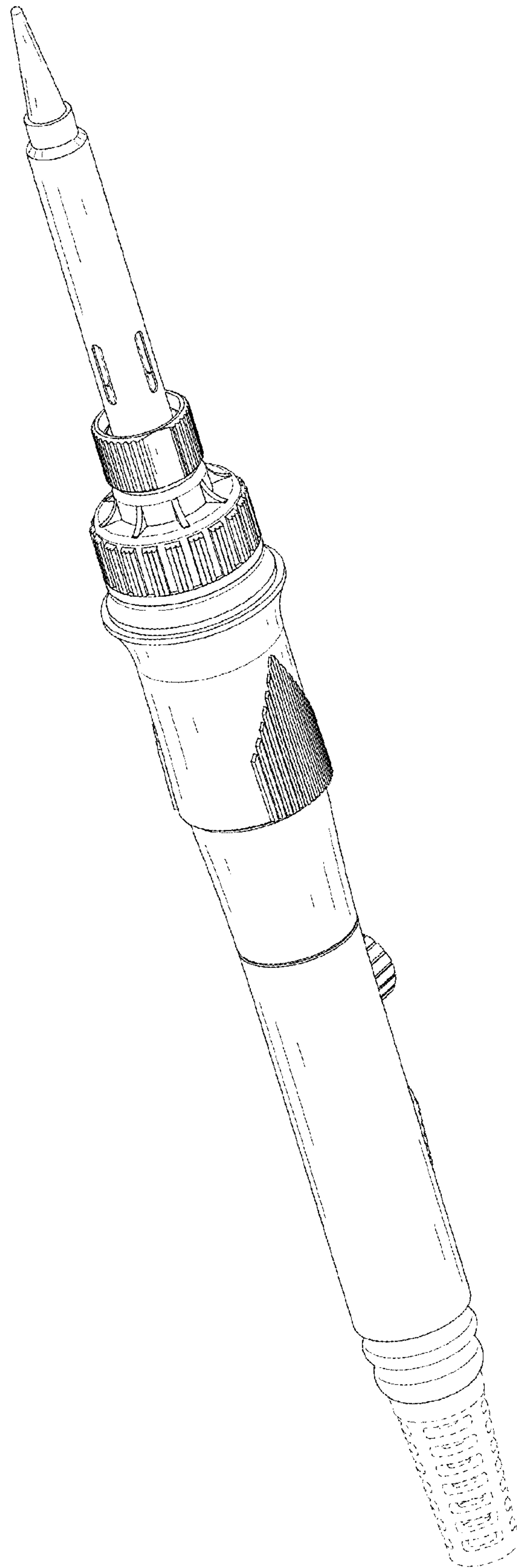


FIG. 2

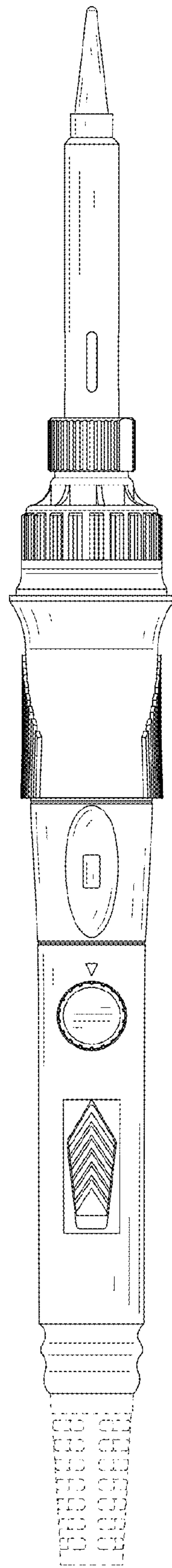


FIG. 3

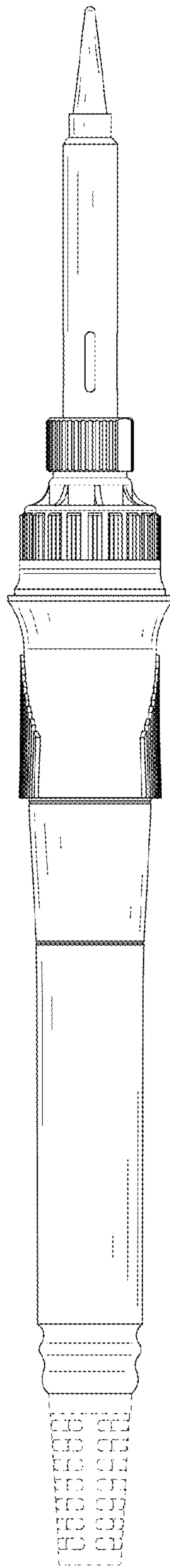


FIG. 4

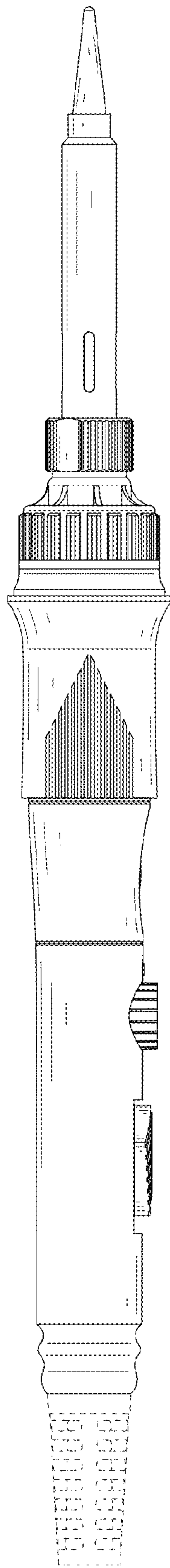


FIG. 5

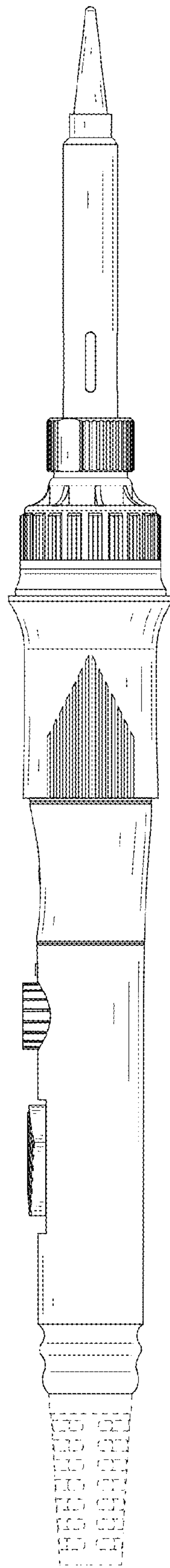


FIG. 6

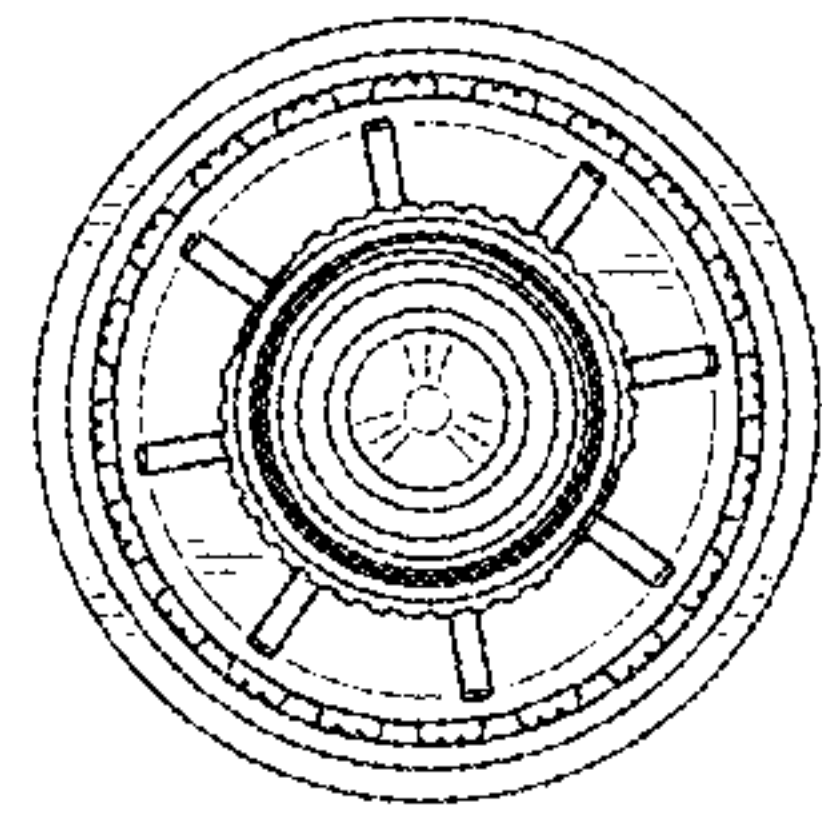


FIG. 7

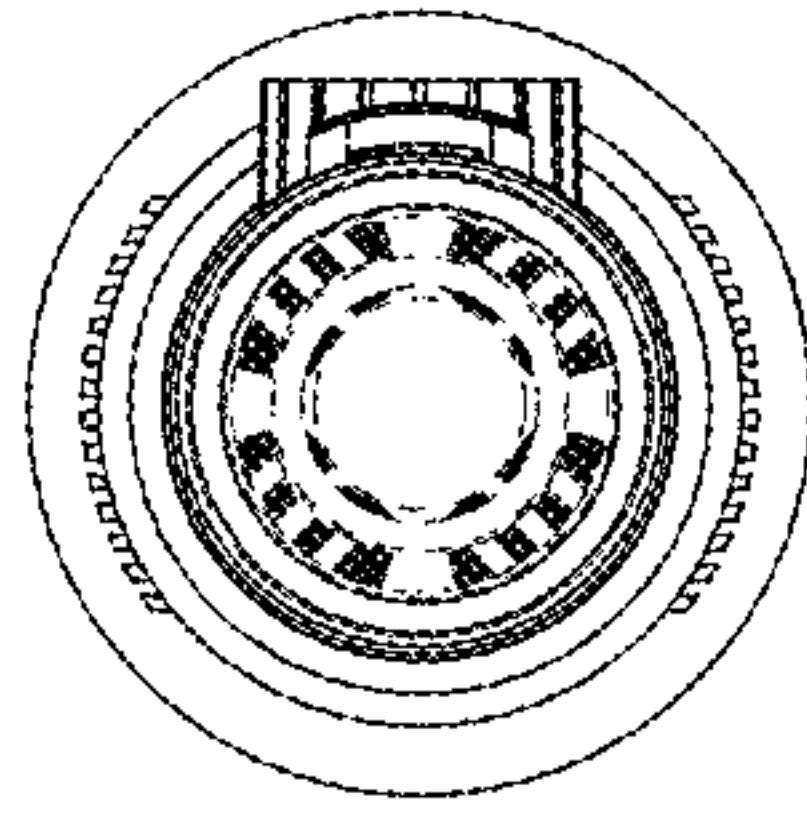


FIG. 8

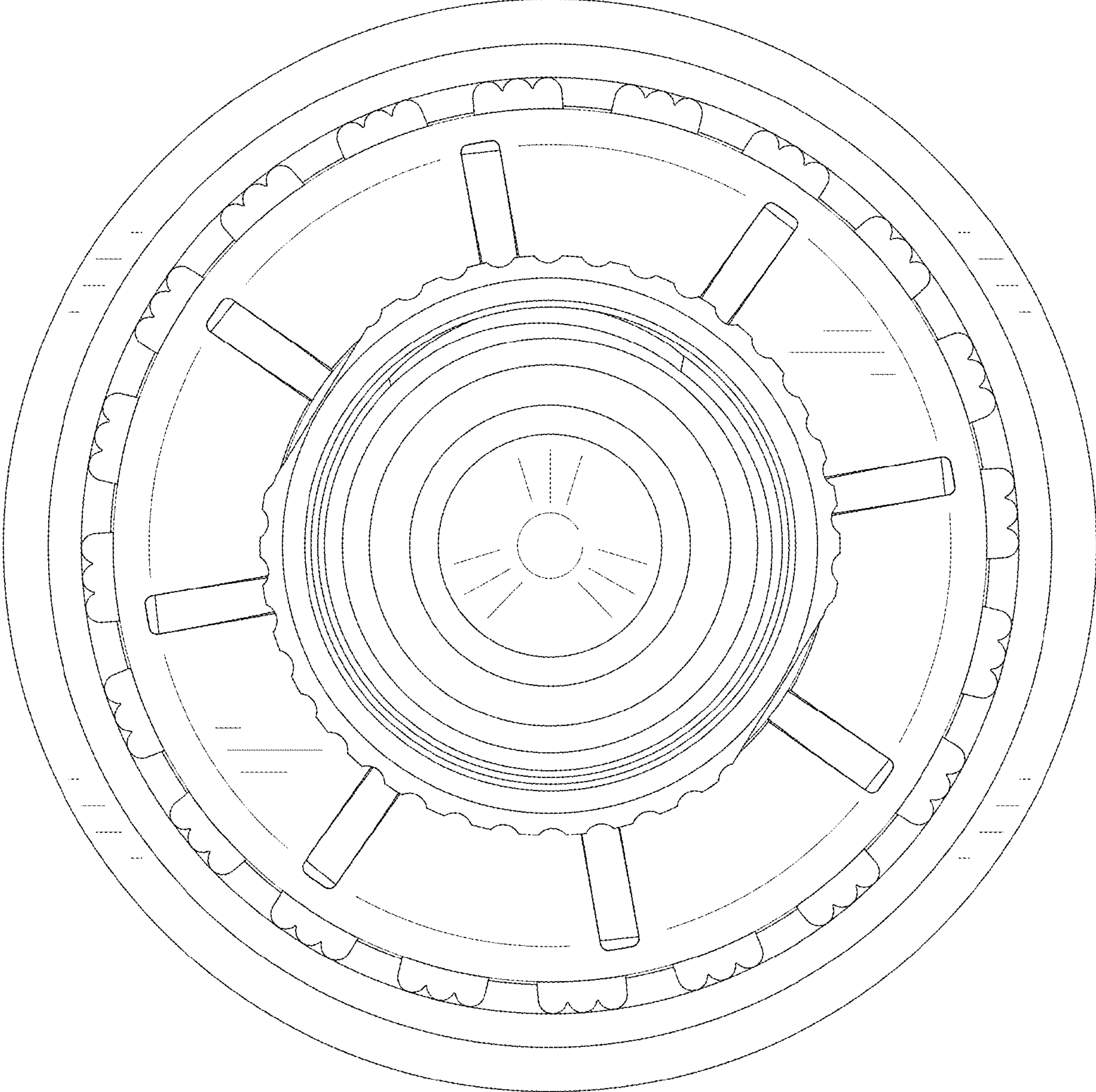


FIG. 9

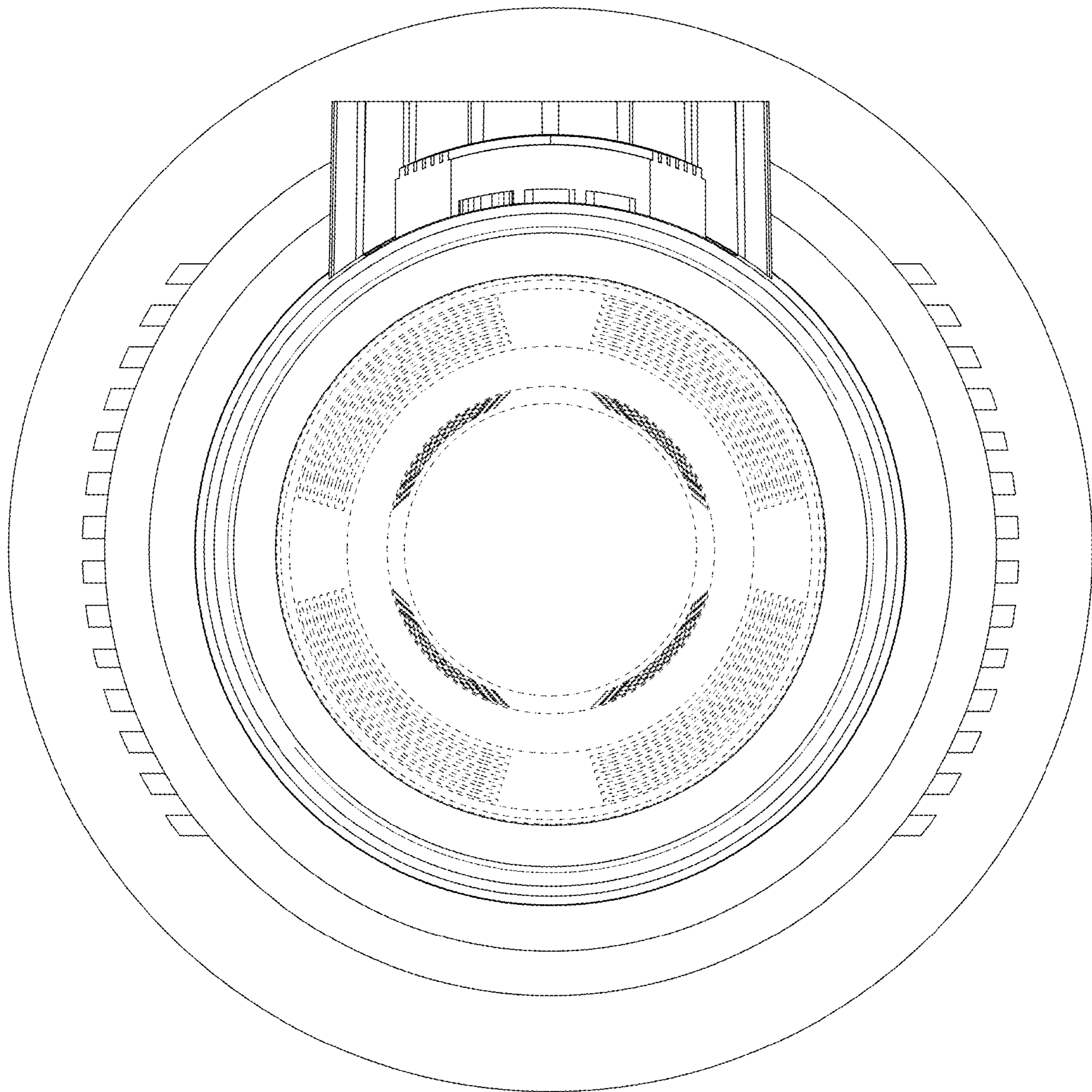


FIG. 10