



US00D955190S

(12) **United States Design Patent**
Zastawny et al.

(10) **Patent No.:** **US D955,190 S**
(45) **Date of Patent:** **** Jun. 21, 2022**

- (54) **GRILLING COAL RAKE AND SHOVEL**
- (71) Applicant: **Helen of Troy Limited**, St. Michael (BB)
- (72) Inventors: **Mathieu Zastawny**, Jersey City, NJ (US); **Luis van den Berg**, Wuppertal (DE); **Lance E. Hazelton**, Maplewood, NJ (US)
- (73) Assignee: **Helen of Troy Limited**, St. Michael (BB)
- (**) Term: **15 Years**
- (21) Appl. No.: **29/759,808**
- (22) Filed: **Nov. 25, 2020**
- (51) **LOC (13) Cl.** **08-01**
- (52) **U.S. Cl.**
USPC **D8/10**
- (58) **Field of Classification Search**
USPC D8/9, 10, 14; D32/46; D7/653
CPC F24B 15/06; F24B 15/00; F24B 15/08;
F24B 15/10; F24B 15/1915; A47J 43/288
See application file for complete search history.

D503,874 S *	4/2005	Lu	D7/692
D510,689 S *	10/2005	Marley	D8/10
D581,754 S *	12/2008	Vodrey	D8/13
D587,537 S *	3/2009	Vendl	D7/688
D632,142 S *	2/2011	Lu	D7/688
D718,100 S *	11/2014	Masalin	D8/10
9,210,993 B2 *	12/2015	Gonzalez	A47J 37/0786
D785,416 S *	5/2017	Knittig	D7/692
D867,835 S *	11/2019	Roberts	D8/10
D916,410 S *	4/2021	Magee	D32/46
D938,243 S *	12/2021	Murphy, Sr.	D8/14

* cited by examiner

Primary Examiner — Philip S Hyder

(74) *Attorney, Agent, or Firm* — Rankin, Hill & Clark LLP

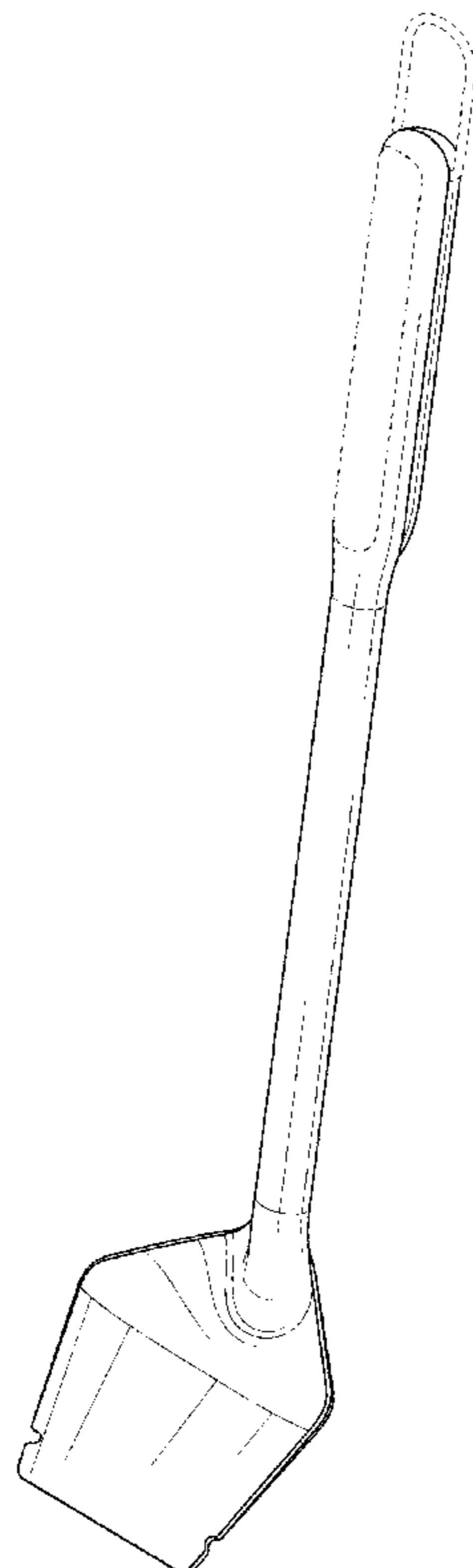
(57) **CLAIM**

The ornamental design for a grilling coal rake and shovel, as shown and described.

DESCRIPTION

FIG. 1 is a perspective view of a new, original and ornamental design for a grilling coal rake and shovel;
 FIG. 2 is a front elevation view of FIG. 1;
 FIG. 3 is a rear elevation view of FIG. 1;
 FIG. 4 is a left side elevation view of FIG. 1;
 FIG. 5 is a right side elevation view of FIG. 1;
 FIG. 6 is a top plan view of FIG. 1; and,
 FIG. 7 is a bottom plan view of FIG. 1.
 The broken lines in the drawings depict portions of the grilling coal rake and shovel that form no part of the claimed design.

1 Claim, 5 Drawing Sheets



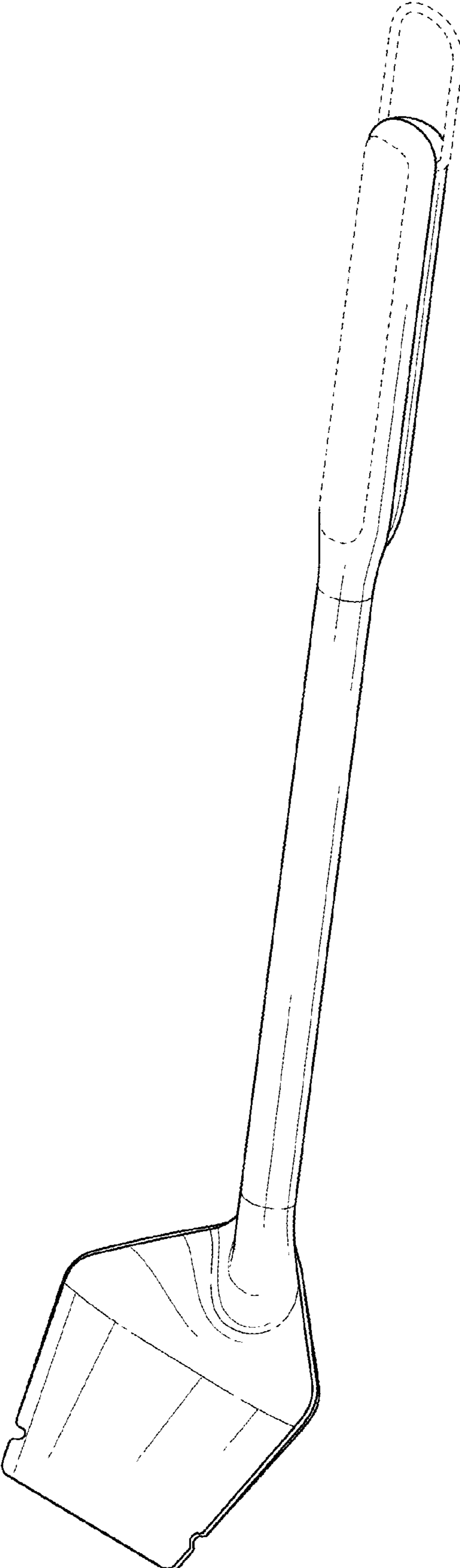


FIG. 1

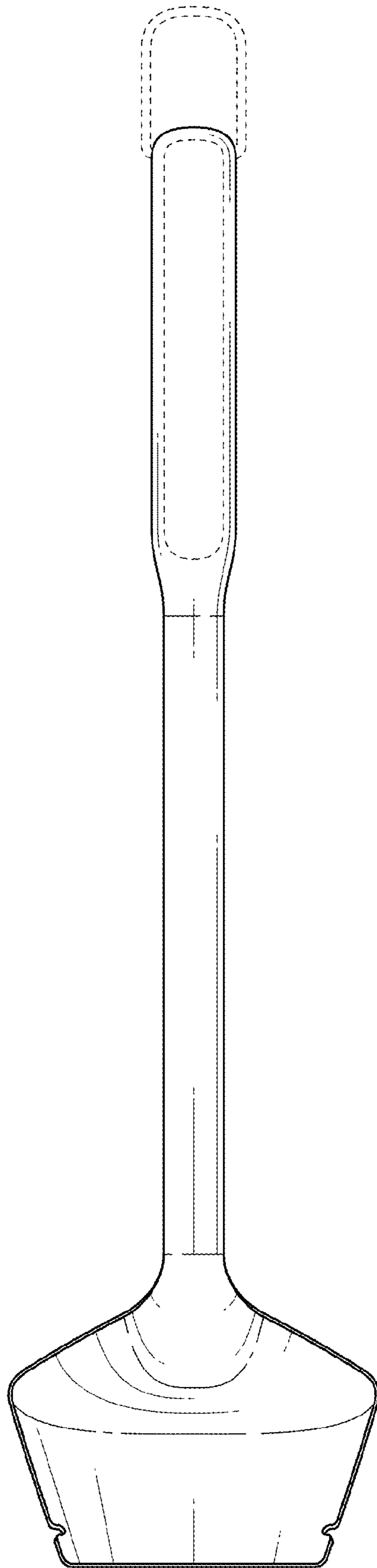


FIG. 2

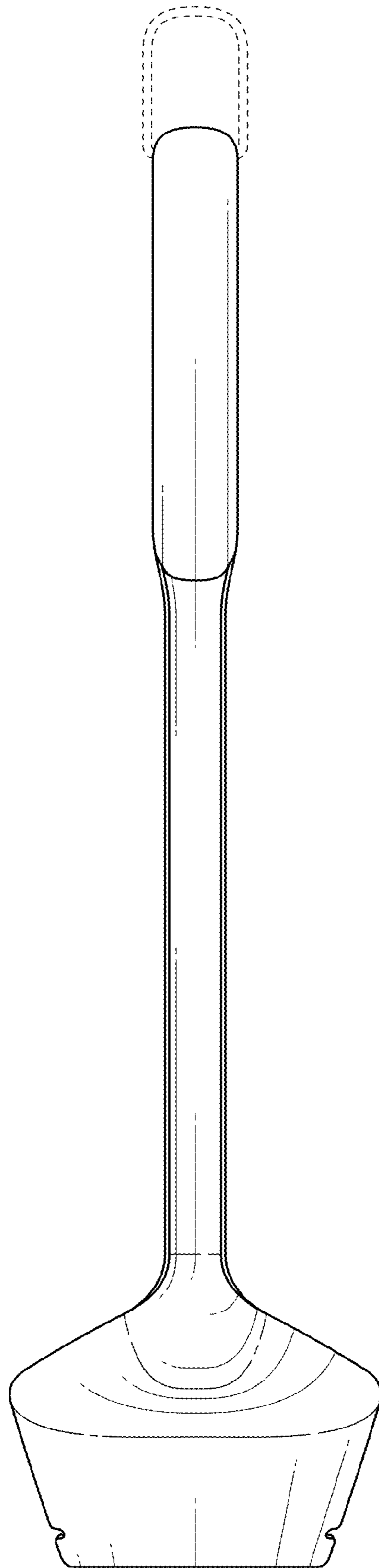


FIG. 3

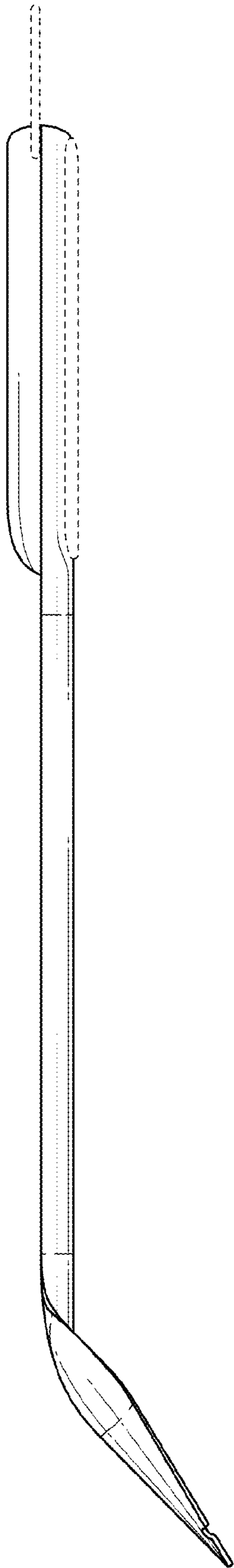


FIG. 4

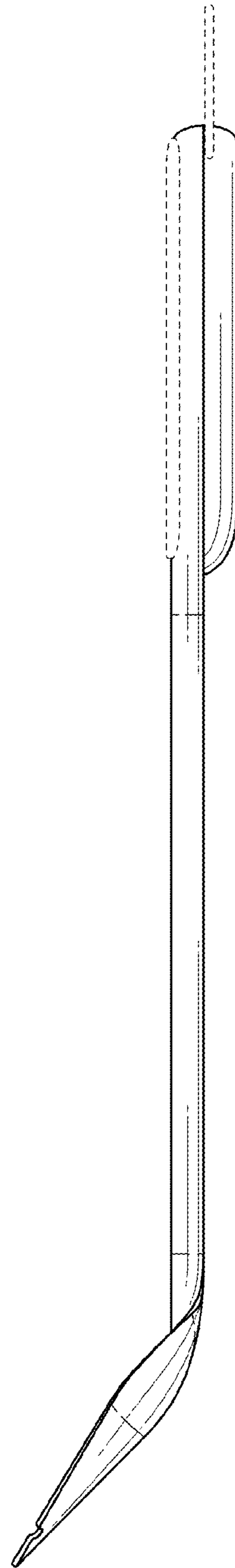


FIG. 5

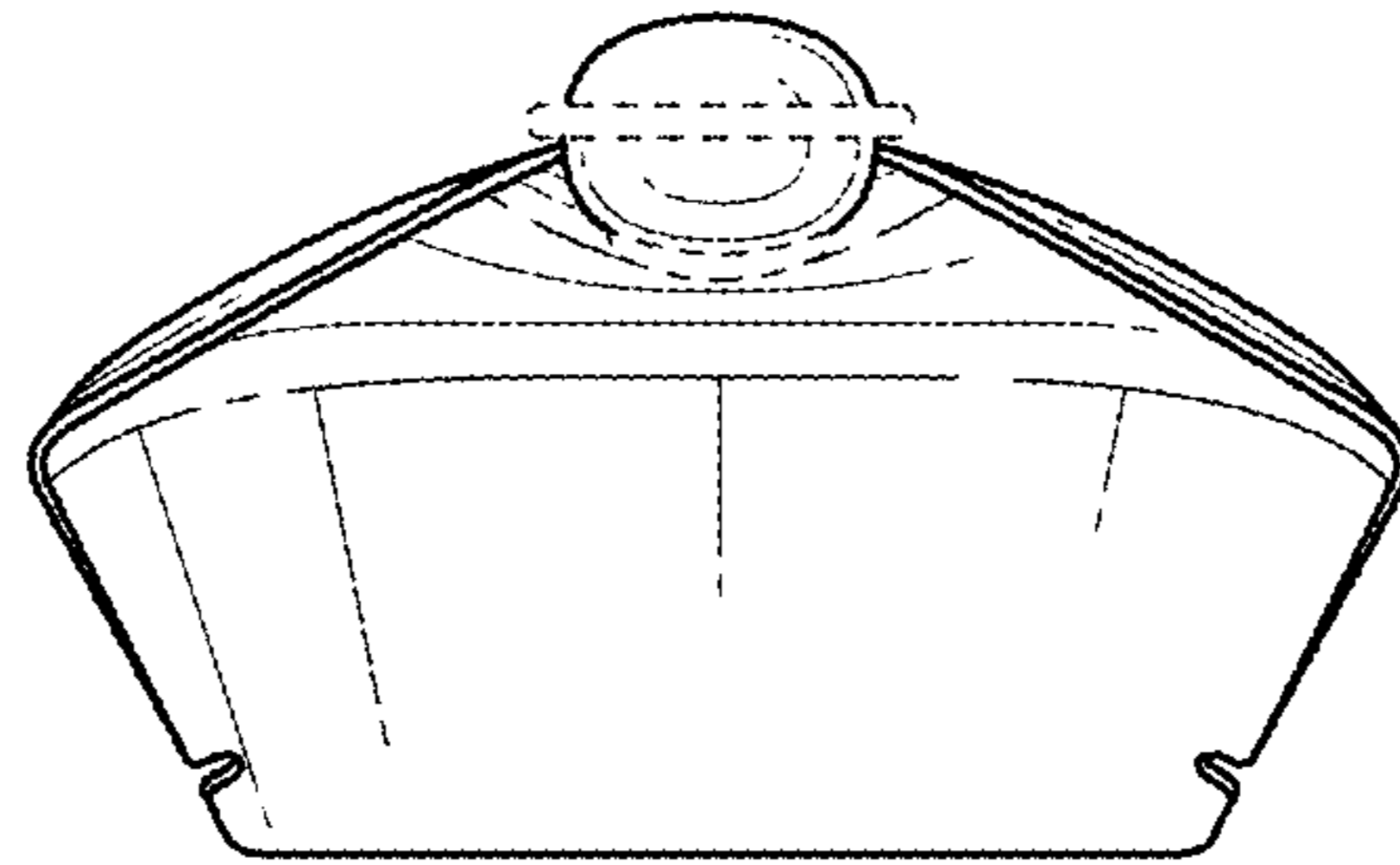


FIG. 6

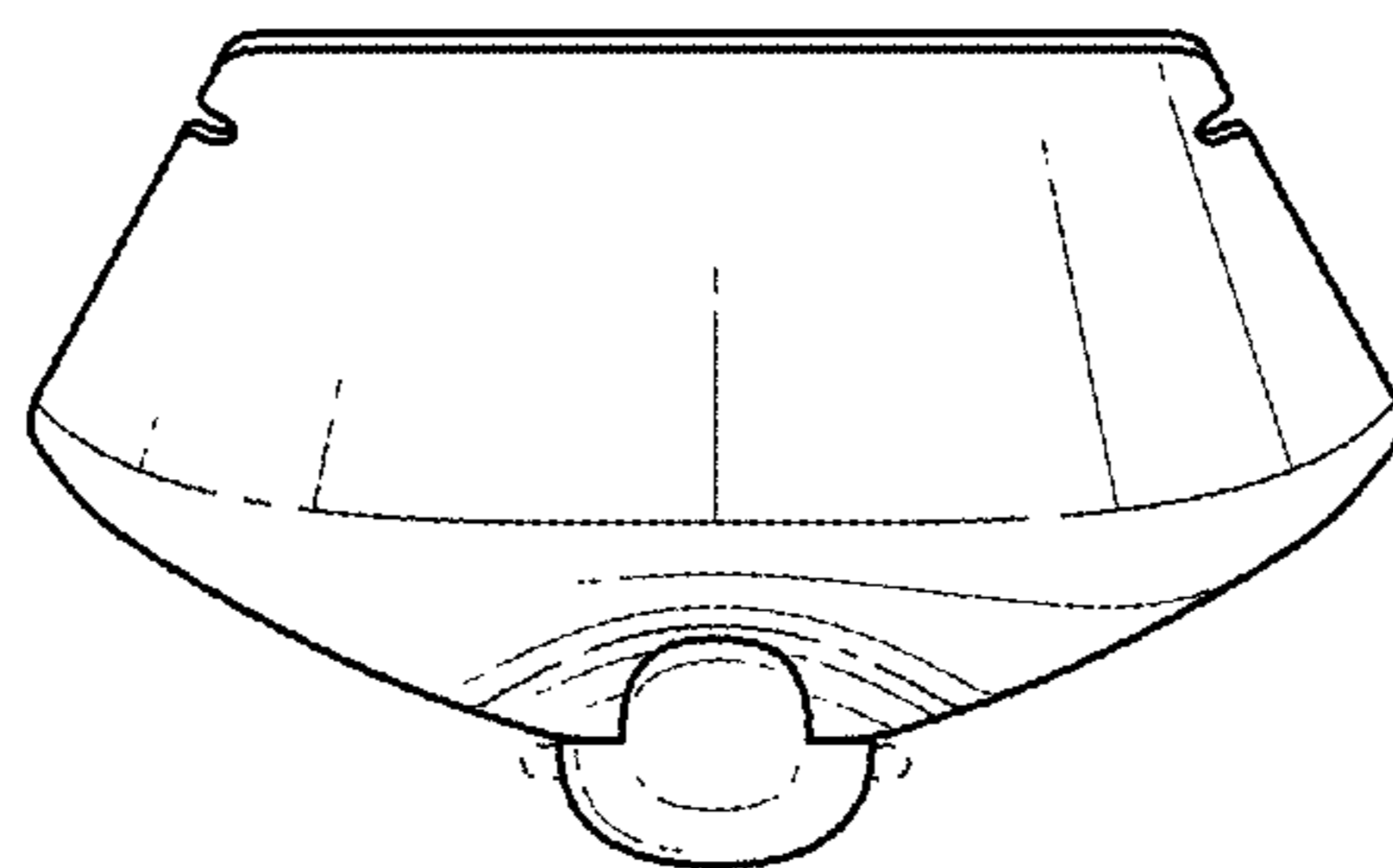


FIG. 7