



US00D955187S

(12) **United States Design Patent**
Hadaway

(10) **Patent No.:** **US D955,187 S**
(45) **Date of Patent:** **** Jun. 21, 2022**

- (54) **KNIFE BLOCK**
- (71) Applicant: **Hadaway Importing Pty Ltd,**
Frankston South (AU)
- (72) Inventor: **Brett Andrew Hadaway,** Frankston
(AU)
- (73) Assignee: **Hadaway Importing Pty Ltd,**
Melbourne (AU)

8,627,571 B2 * 1/2014 Rabinovich A47G 21/14
30/296.1
D764,876 S * 8/2016 Liu A47G 21/14
D7/637
D805,858 S * 12/2017 Liu D7/637
D920,051 S * 5/2021 Li A47J 47/16
D7/637
2012/0324740 A1 * 12/2012 Brough A47G 21/14
30/298.4

(**) Term: **15 Years**
(21) Appl. No.: **29/754,864**

- (22) Filed: **Oct. 15, 2020**
- (51) **LOC (13) Cl.** **07-99**
- (52) **U.S. Cl.**
USPC **D7/637**
- (58) **Field of Classification Search**
USPC ... D7/600.1, 600.3, 601, 602, 637-641, 701,
D7/704, 705, 708; D3/304, 305, 313,
D3/314; D6/323, 525, 527, 683, 683.1,
D6/706; D19/77, 81, 92; D32/55, 56
CPC A47B 77/14; A47G 21/00; A47G 21/14;
A47G 23/06; A47G 23/0641; A47J 45/02;
A47J 47/16; A47L 19/00; A47L 19/02;
A47L 19/04; B65D 1/34; B65D 1/36
See application file for complete search history.

(56) **References Cited**
U.S. PATENT DOCUMENTS

D247,735 S * 4/1978 Gangelhoff D7/637
D280,587 S * 9/1985 Carlson D7/637
D300,497 S * 4/1989 Goebel D7/637
D360,810 S * 8/1995 Humaj D7/637
6,662,453 B1 * 12/2003 Stuckey A47J 47/16
248/37.3
7,434,693 B2 * 10/2008 Mosko A47G 21/14
248/37.3

OTHER PUBLICATIONS

Design No. 4031393, Jul. 9, 2013—The Intellectual Property Office
(IPO) Publication Date—Sep. 9, 2013 Owner—Arlo Blair DesignView,
available at www.tmdn.org/tmdsview-web/welcome (Year: 2013).
(Continued)

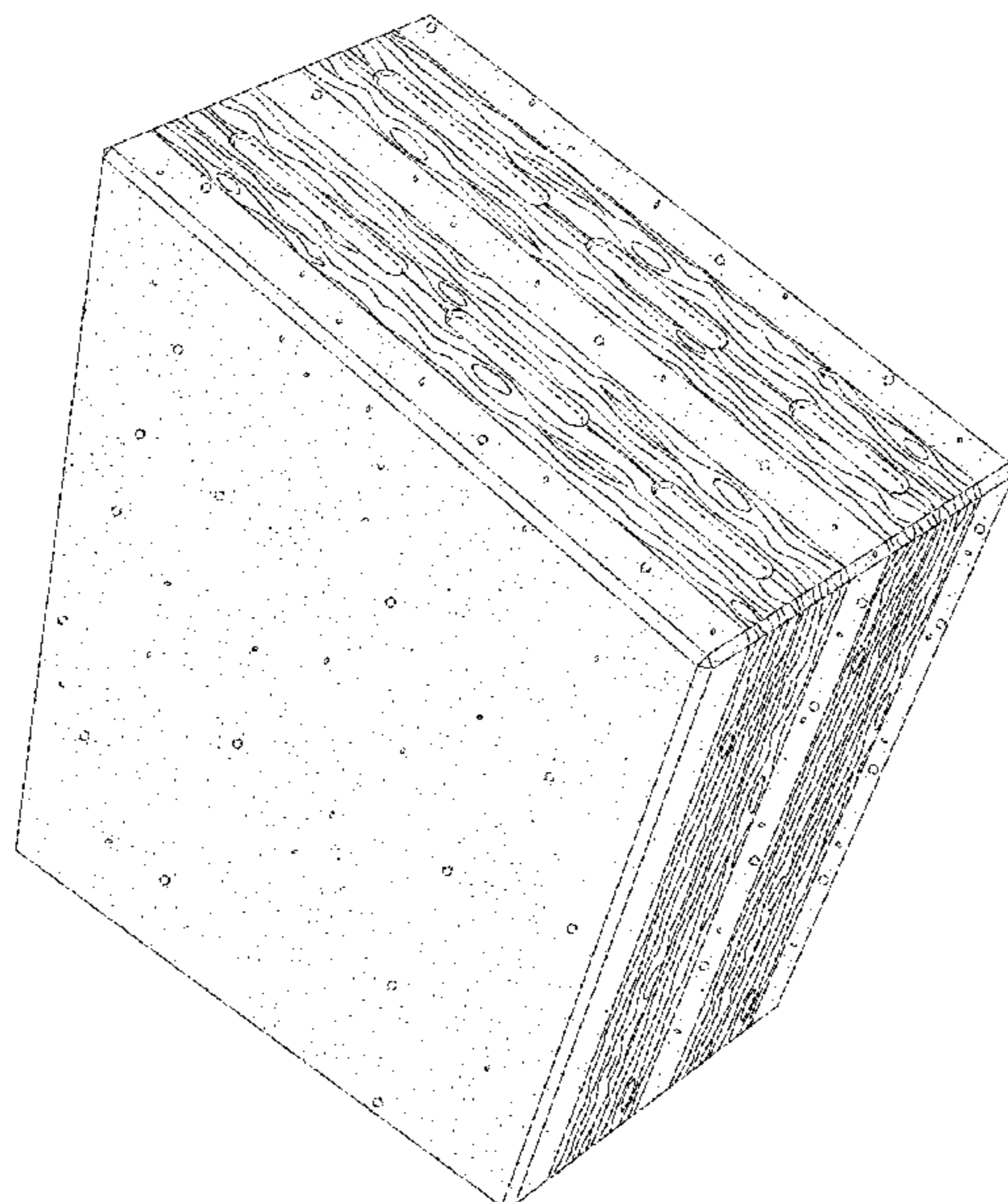
Primary Examiner — Mary Ann Calabrese
Assistant Examiner — Natalya M Rapundalo
(74) *Attorney, Agent, or Firm* — Eric Karich; Karich &
Associates

(57) **CLAIM**
The ornamental design for a knife block, as shown and
described.

DESCRIPTION

FIG. 1 is a perspective view of a knife block, showing my
new design;
FIG. 2 is a front elevational view thereof;
FIG. 3 is a rear elevational view thereof;
FIG. 4 is a left side elevational view thereof;
FIG. 5 is a right side elevational view thereof;
FIG. 6 is a top plan view thereof; and,
FIG. 7 is a bottom plan view thereof.
The broken line showing of slots is for the purpose of
illustrating portions of the knife block that form no part of
the claimed design.

1 Claim, 4 Drawing Sheets



(56)

References Cited

OTHER PUBLICATIONS

Crate & Barrel 9-Slot Knife Block, Crate and Barrel, [online], [site visited Feb. 22, 2022], Available from internet URL: <https://www.crateandbarrel.com/crate-and-barrel-9-slot-knife-block/s397104> (Year: 2022).*

Zwilling J.A. Henckels Storage Hardwood Steak Knife Block, 8 Slots, Knife Center, [online], [site visited Feb. 22, 2022], Available from internet URL: <https://www.knifecenter.com/item/H35101118/Zwilling-JA-Henckels-Storage-Hardwood-Steak-Knife-Block-8-Slots> (Year: 2022).*

* cited by examiner

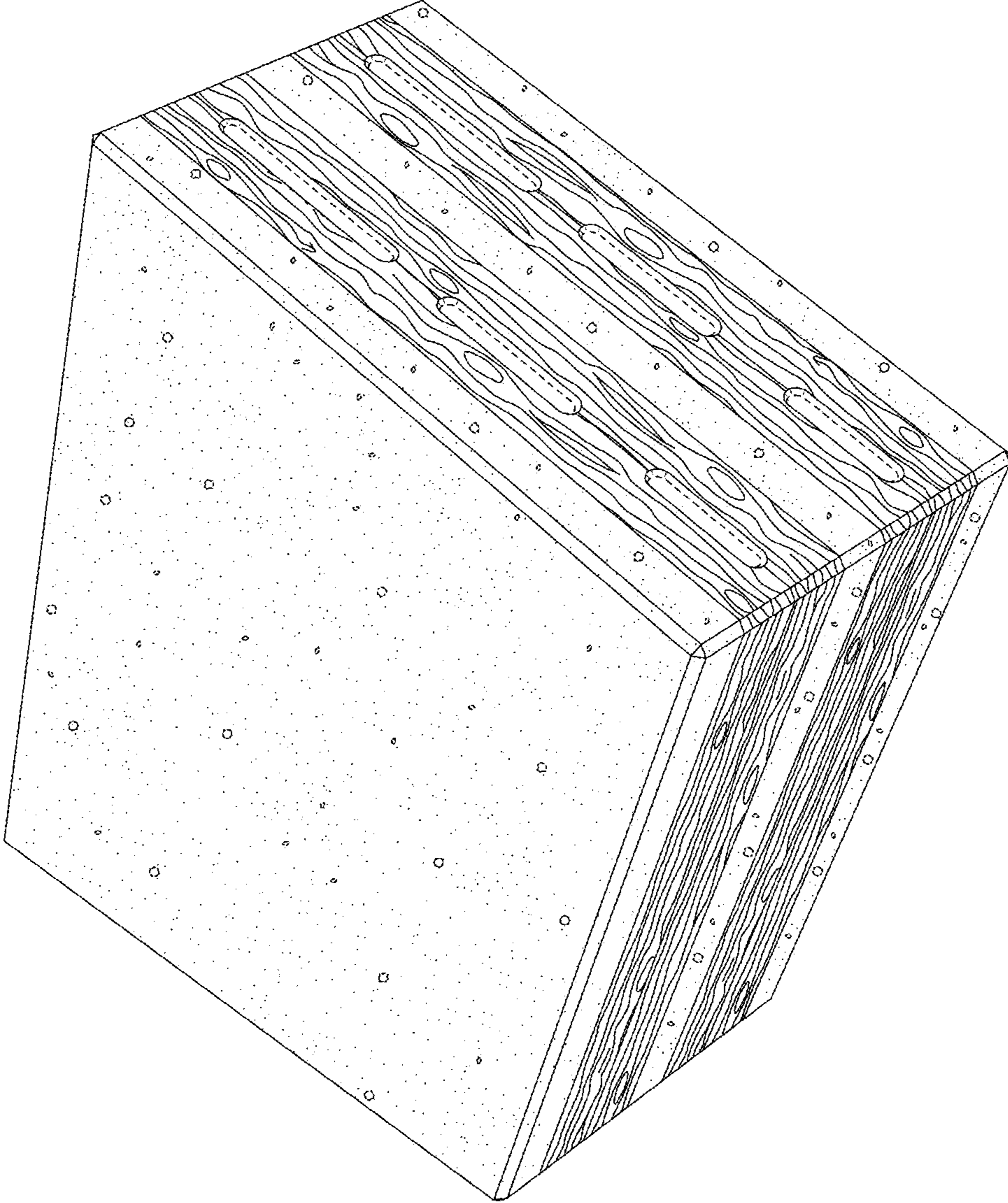


Fig. 1

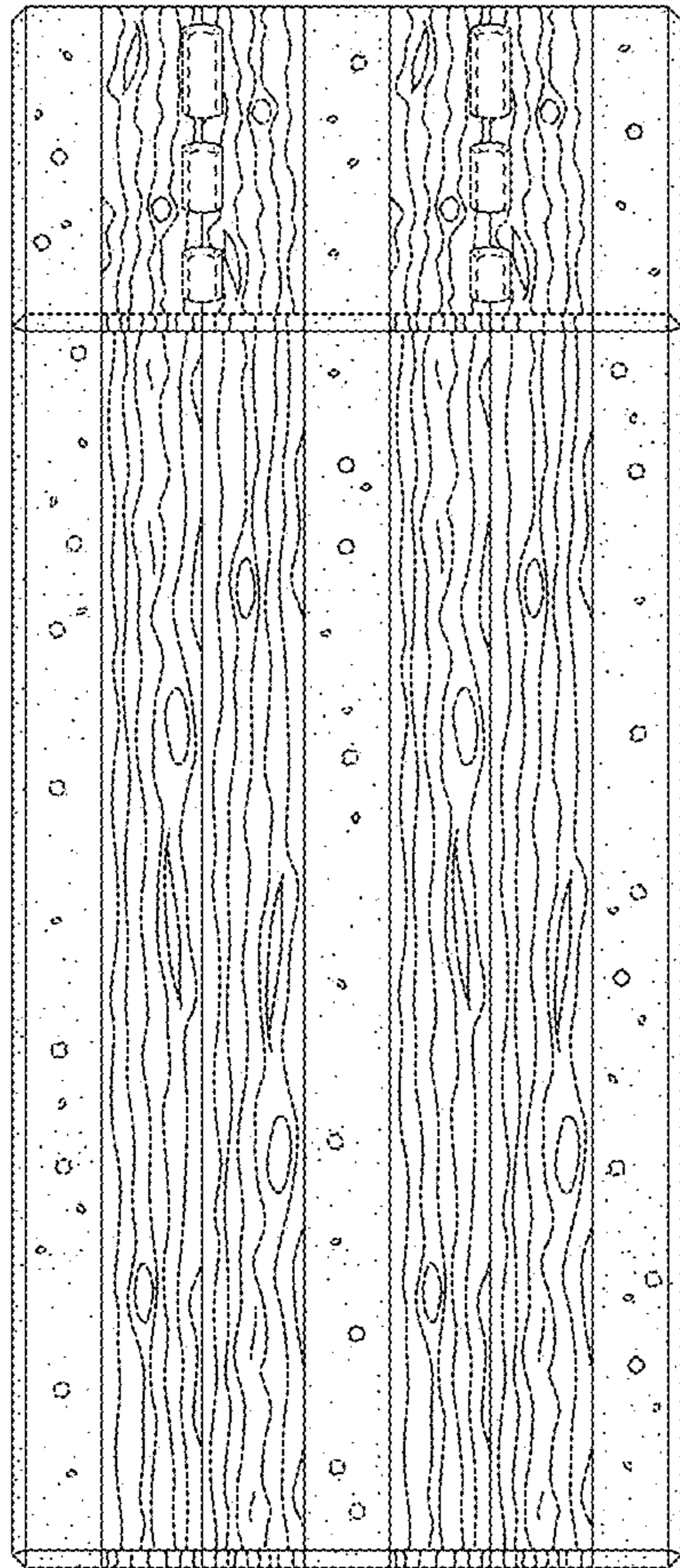


Fig. 2

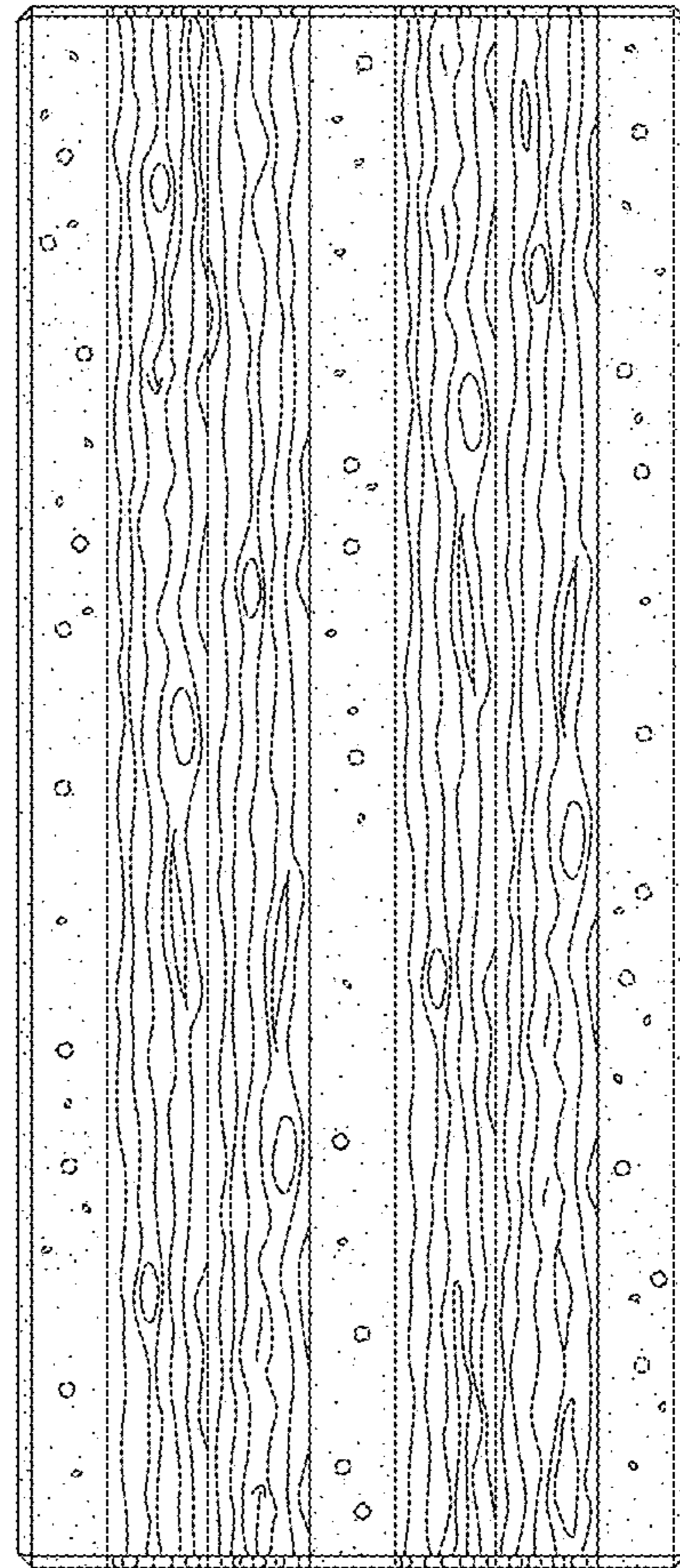


Fig. 3

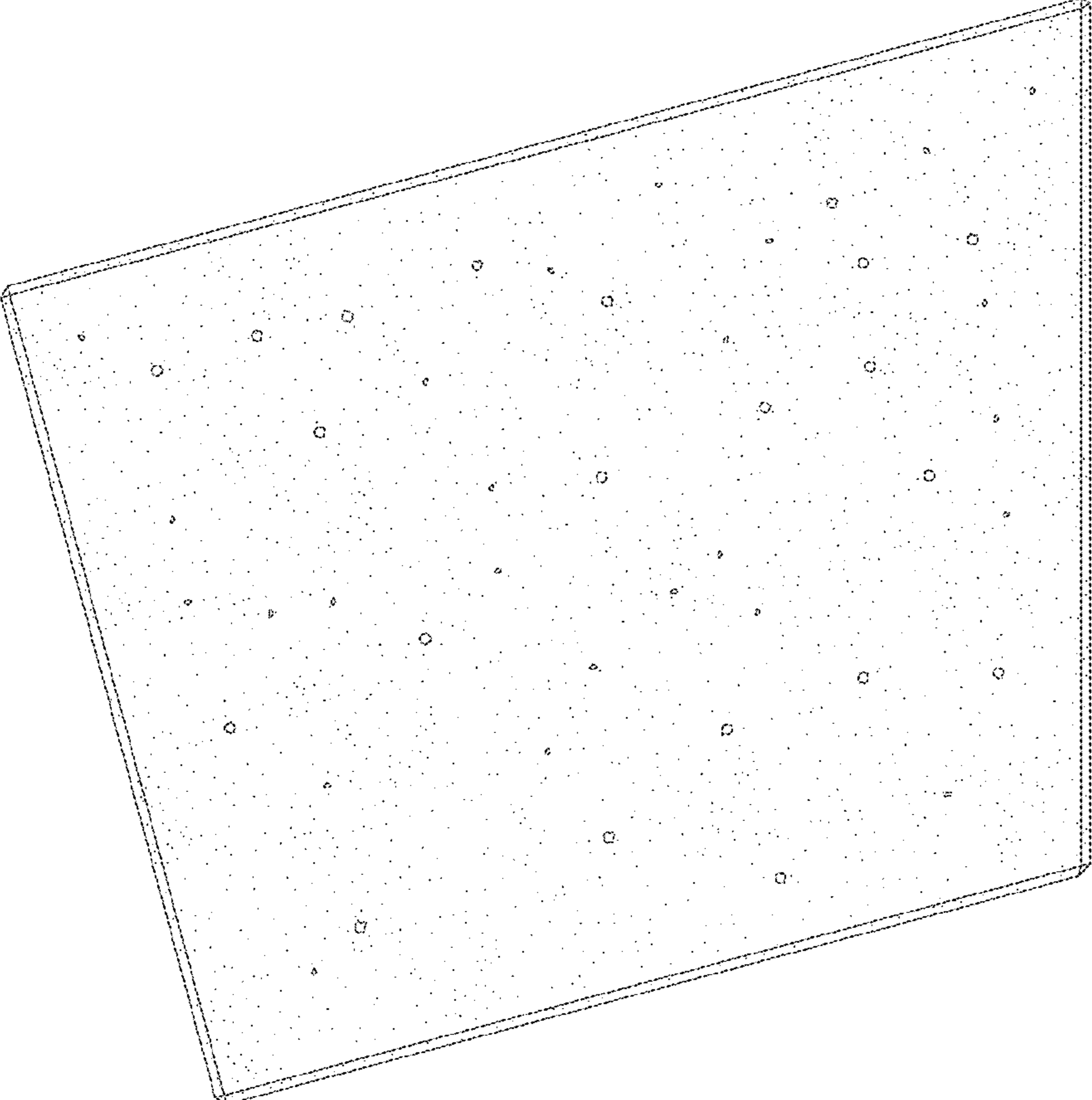


Fig. 4

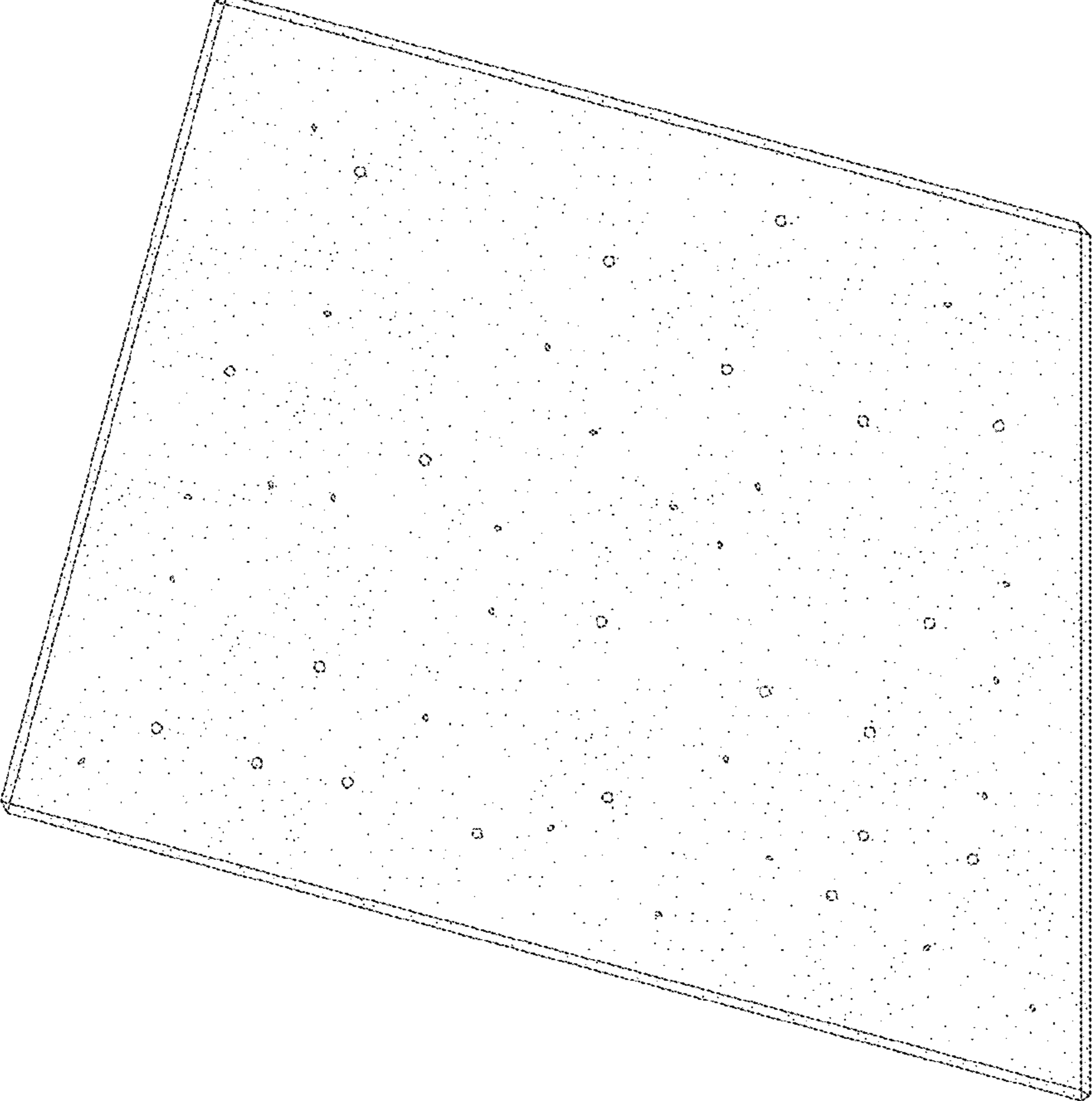


Fig. 5

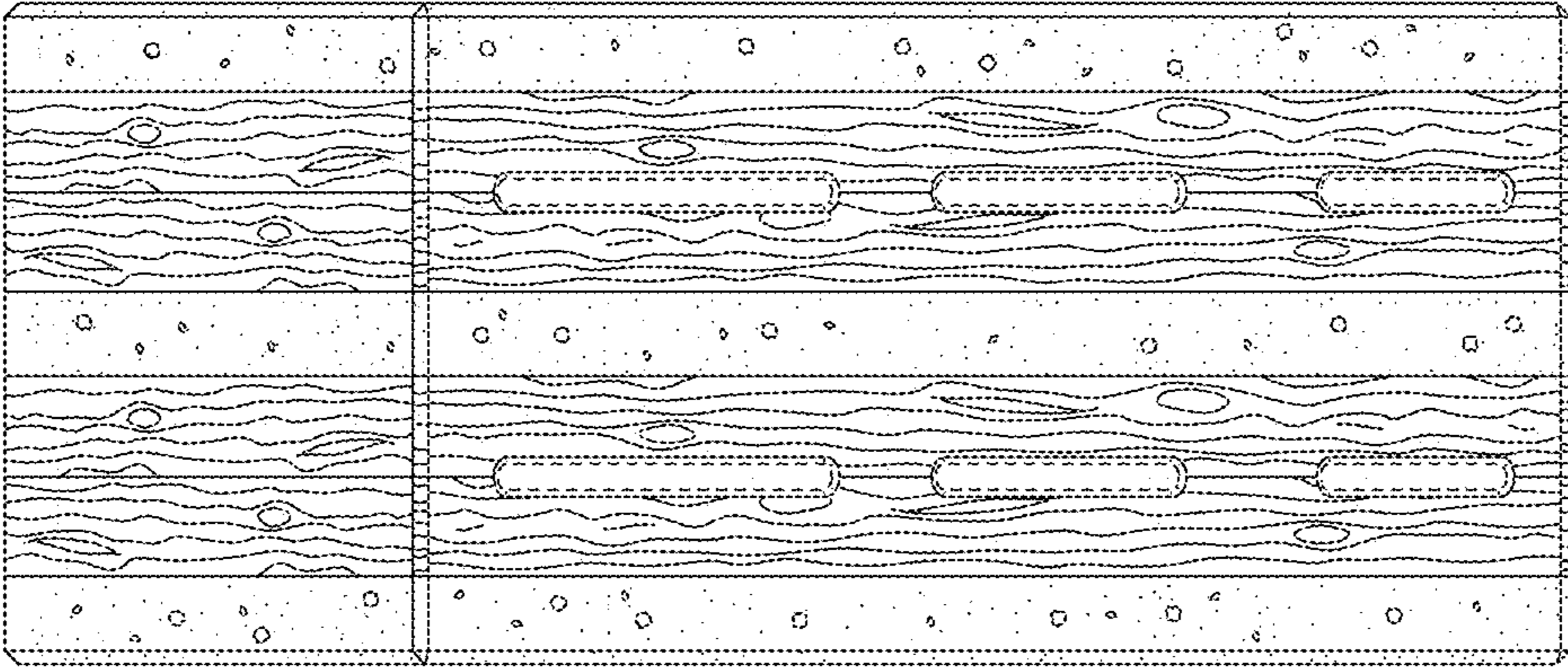


Fig. 6

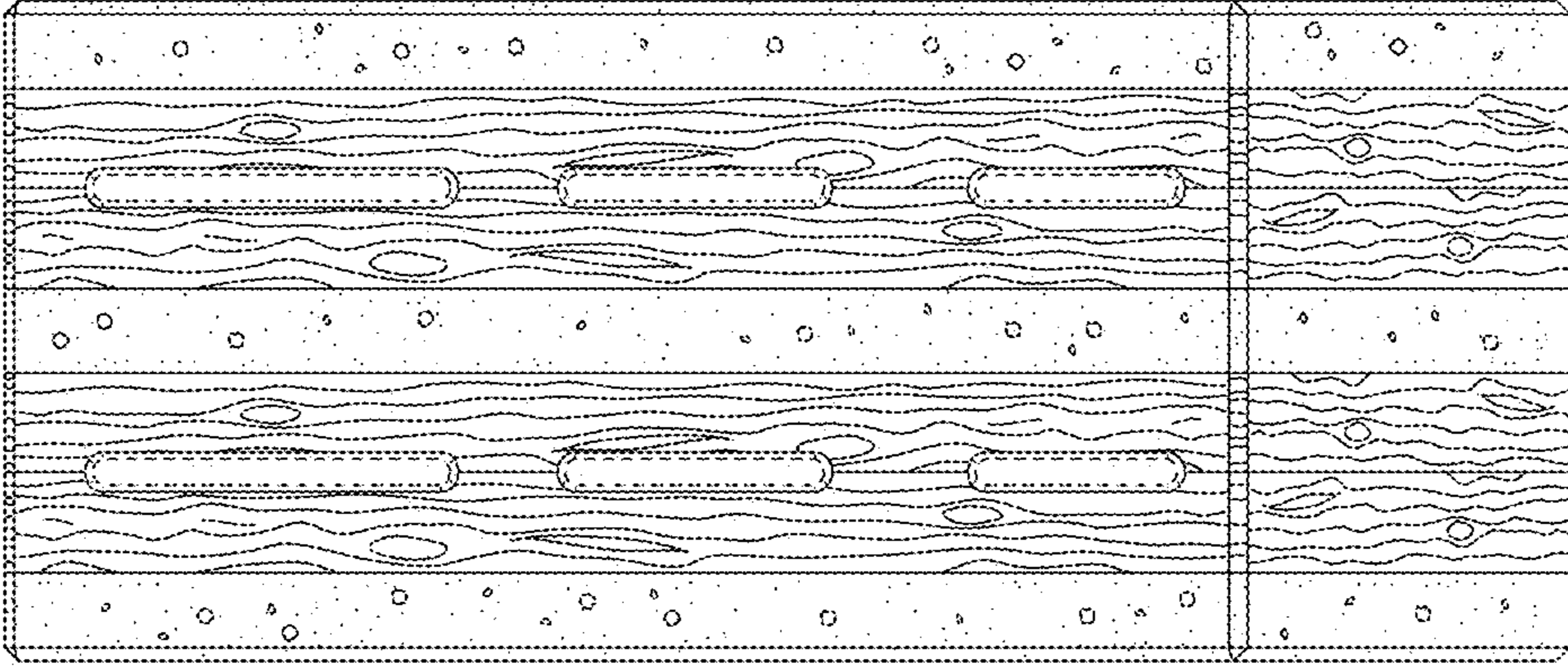


Fig. 7