

US00D955186S

(12) **United States Design Patent** (10) **Patent No.:** **US D955,186 S**  
**Pentelovitch et al.** (45) **Date of Patent:** **\*\* \*Jun. 21, 2022**

(54) **CONTAINER**

CPC ..... B65D 45/32; B65D 45/22; B65D 45/00;  
B65D 1/22; B65D 1/24; B65D 1/243;  
B65D 1/246; B65D 1/40; B65D 2581/00;  
B65D 81/3453; B65D 25/00; B65D  
25/04; B65D 2543/00296; B65D  
2543/00064; B65D 2543/00083; B65D  
2543/00101; B65D 2543/00194; B65D  
2543/00592; B65D 43/16; B65D 2203/00;  
A45C 5/02; A45C 11/20; A45C 11/00;  
A45C 13/02; A45F 3/46

(71) Applicant: **Helen of Troy Limited**, St. Michael  
(BB)

(72) Inventors: **Noah Ziman Pentelovitch**, New York,  
NY (US); **Conor Patrick McNamara**,  
Montclair, NJ (US); **Makiko Kida**,  
Chiba (JP); **Tamotsu Matsumoto**,  
Chiba (JP); **Nobuyuki Ogasawara**,  
Chiba (JP); **Yoshinori Nagata**, Chiba  
(JP)

See application file for complete search history.

(73) Assignee: **Helen of Troy Limited**, St. Michael  
(BB)

(56)

**References Cited**

U.S. PATENT DOCUMENTS

(\*) Notice: This patent is subject to a terminal dis-  
claimer.

(\*\*) Term: **15 Years**

(21) Appl. No.: **29/721,399**

(22) Filed: **Jan. 21, 2020**

D150,045 S	6/1948	Zaikaner	
D159,811 S	8/1950	Hill	
D162,579 S	3/1951	Roop	
2,575,770 A *	11/1951	Roop .....	B65D 77/0486 206/514
D176,766 S	1/1956	Hill	
2,768,667 A	10/1956	Hill	
D201,455 S	6/1965	Lindstrom	
4,412,630 A *	11/1983	Daenen .....	B65D 43/0218 220/792
D274,396 S	6/1984	Kikuchi	
4,572,374 A	2/1986	Sirotkin	
4,585,138 A	4/1986	Jonkers	
D326,391 S	5/1992	Verchere	
D362,180 S	9/1995	Haines	
D396,172 S *	7/1998	Nask .....	D7/615
D403,582 S	1/1999	Nask et al.	
5,896,993 A *	4/1999	Nask .....	B65D 21/0219 206/508
D447,669 S	9/2001	Tzeng Wu	
D518,958 S *	4/2006	Yourist .....	D3/302
D521,811 S	5/2006	Yourist	
D524,119 S	7/2006	Kim	
D527,845 S	9/2006	Ng	
D531,043 S	10/2006	Houtart et al.	
D540,669 S	4/2007	George et al.	
D572,086 S *	7/2008	Matsumoto .....	D7/614
D592,966 S	5/2009	Nissen	
D610,412 S *	2/2010	Matsumoto .....	D7/629
D619,424 S *	7/2010	Yang .....	D7/615
D659,530 S	5/2012	Akana et al.	
D669,777 S	10/2012	Brown et al.	
D674,248 S	1/2013	Lindsay et al.	
D696,558 S	12/2013	Song	

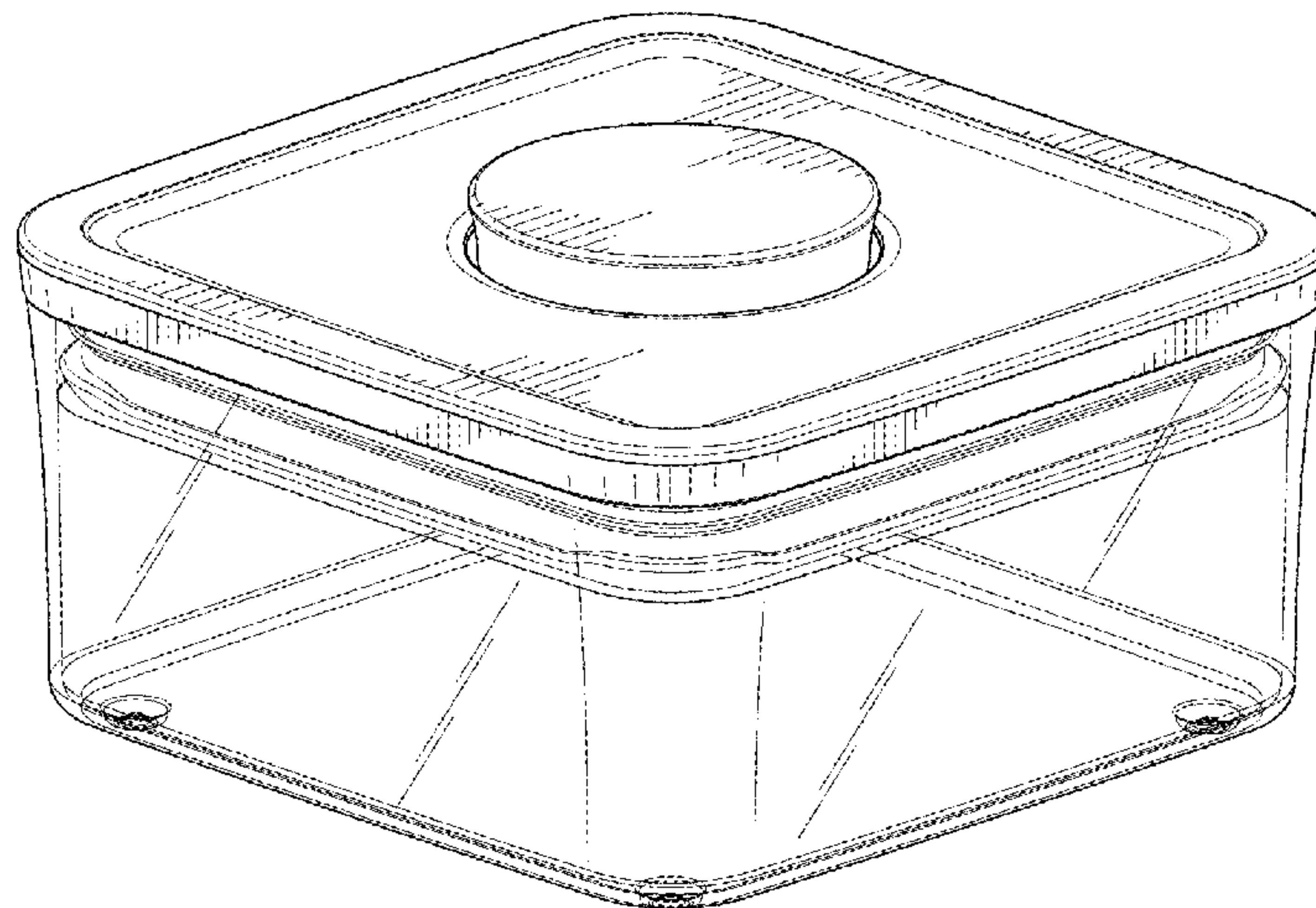
**Related U.S. Application Data**

(63) Continuation of application No. 29/631,349, filed on  
Dec. 29, 2017, now Pat. No. Des. 876,177, and a  
continuation of application No. 29/631,348, filed on  
Dec. 29, 2017, now Pat. No. Des. 876,176, and a  
continuation of application No. 29/631,346, filed on  
Dec. 29, 2017, now Pat. No. Des. 877,574, and a  
continuation of application No. 29/631,354, filed on  
Dec. 29, 2017, now Pat. No. Des. 878,165, and a  
continuation of application No. 29/631,357, filed on  
Dec. 29, 2017, now Pat. No. Des. 876,178.

(51) **LOC (13) Cl.** ..... **07-07**

(52) **U.S. Cl.**  
USPC ..... **D7/629**

(58) **Field of Classification Search**  
USPC ..... D7/601, 602, 629, 630, 709, 538-542,  
D7/612-615; D9/424, 428-432, 761,  
D9/414, 642, 721





D696,559 S	12/2013	Song	
D702,547 S	4/2014	Akana	
8,807,370 B2 *	8/2014	Lee	B65D 45/327 220/238
D759,434 S	6/2016	Duvigneau	
9,359,114 B2 *	6/2016	Wong	B65D 43/26
D765,508 S	9/2016	Wu	
D773,931 S	12/2016	Liu	
D790,335 S *	6/2017	Honings	D9/424
9,731,874 B2 *	8/2017	Luo	A47J 47/02
D817,116 S	5/2018	Evans et al.	
D817,701 S *	5/2018	Ho	D7/391
D821,869 S	7/2018	Cheng	
D828,754 S	9/2018	Liu	
D834,377 S *	11/2018	Zoske	D7/629
D839,664 S *	2/2019	Pentelovitch	D7/391
2007/0241107 A1 *	10/2007	Matsumoto	B65D 39/12 220/238
2013/0256256 A1 *	10/2013	Krippendorf	E05B 43/005 215/200
2013/0306497 A1 *	11/2013	Llewellyn	B65D 25/325 206/1.7
2016/0167863 A1	6/2016	Han	
2016/0257458 A1	9/2016	Pentelovitch	
2016/0368671 A1 *	12/2016	Pentelovitch	B65D 39/12
2017/0247151 A1 *	8/2017	Chiou	B65D 43/163
2018/0016065 A1 *	1/2018	Ho	B65D 21/0209

OTHER PUBLICATIONS

<https://www.oxo.com/products/storage-organization/food/pop-container-rectangle-0-5-qt-0-5l> (website published prior to Dec. 29, 2016).

<https://www.target.com/s/oxo+softworks+pop+containers> (website published prior to Dec. 29, 2016).

Airtight POP Container Square 0.9 Qt For Brown Sugar | OXO (<https://www.oxo.com/categories/cooking-and-baking/food-containers/pop-containers/pop-container-sm-square-0-9-qt-0-9-l.html>) publicly available prior to Dec. 29, 2017.

POP Container Square 2.5 Qt For Rice | OXO Good Grips (<https://www.oxo.com/categories/cooking-and-baking/food-containers/pop-containers/pop-container-rectangle-2-5-qt-2-3-l.html>) publicly available prior to Dec. 29, 2017.

Amazon.com: OXO Good Grips POP Container, [on line], date first listed Oct. 2, 2001, retrieved Apr. 8, 2019. Retrieved from URL: [https://www.amazon.com/dp/B000UHYB9E/ref=psdc\\_3744021\\_t1\\_B0051T93TE](https://www.amazon.com/dp/B000UHYB9E/ref=psdc_3744021_t1_B0051T93TE), all pages.

Bed Bath & Beyond—OXO Good Grips, [on line], reviewed on Apr. 8, 2015, retrieved on Apr. 8, 2019. Retrieved from <URL: <https://16108472&&mrkgcl=609&mrkgadid=3306238966&enginename=google&mcid> . . . >, all pages.

OXO POP Canisters—YouTube, [on line], posted on Apr. 28, 2015, retrieved on Apr. 8, 2019. Retrieved from, <URL: <https://www.youtube.com/watch?v=DtUjNDIRMZM>>, all pages.

Amazon.com OXO Steel POP Container, [on line], first listed May 20, 2011, retrieved on Apr. 8, 2019. Retrieved , <YRKL [https://www.amazon.com/OXO-Steel-POP-Container-Airtight/dp/B0051T93TE/ref=cm\\_cr\\_arp\\_d\\_product\\_top?ie=UTF8](https://www.amazon.com/OXO-Steel-POP-Container-Airtight/dp/B0051T93TE/ref=cm_cr_arp_d_product_top?ie=UTF8)>, all pages.

\* cited by examiner

*Primary Examiner* — Terry A Wallace  
(74) *Attorney, Agent, or Firm* — Rankin, Hill & Clark LLP

(57) **CLAIM**

The ornamental design for a container, as shown and described.

**DESCRIPTION**

FIG. 1 is an upper perspective view of a container with a button in an extended position according to a first embodiment;

FIG. 2 is another upper perspective view thereof with the button in a depressed position;

FIG. 3 is a lower perspective view thereof;

FIG. 4 is a side elevation view thereof with the button in the extended position, and each side being identical;

FIG. 5 is a side elevation view thereof with the button in the depressed position, and each side being identical;

FIG. 6 is a top plan view thereof;

FIG. 7 is a bottom plan view thereof;

FIG. 8 is an upper perspective view of a container with the button in an extended position according to a second embodiment;

FIG. 9 is another upper perspective view thereof with the button in a depressed position;

FIG. 10 is a lower perspective view thereof;

FIG. 11 is a side elevation view thereof with the button in the extended position, and each side being identical;

FIG. 12 is a side elevation view thereof with the button in the depressed position, and each side being identical;

FIG. 13 is a top plan view thereof;

FIG. 14 is a bottom plan view thereof;

FIG. 15 is an upper perspective view of a container with a button in an extended position according to a third embodiment;

FIG. 16 is another upper perspective view thereof with the button in a depressed position;

FIG. 17 is a lower perspective view thereof;

FIG. 18 is a side elevation view thereof with the button in the extended position, and each side being identical;

FIG. 19 is a side elevation view thereof with the button in the depressed position, and each side being identical;

FIG. 20 is a top plan view thereof;

FIG. 21 is a bottom plan view thereof;

FIG. 22 is an upper perspective view of a container with a button in an extended position according to a fourth embodiment;

FIG. 23 is another upper perspective view thereof with the button in a depressed position;

FIG. 24 is a lower perspective view thereof;

FIG. 25 is a side elevation view thereof with the button in the extended position, and each side being identical;

FIG. 26 is a side elevation view thereof with the button in the depressed position, and each side being identical;

FIG. 27 is a top plan view thereof;

FIG. 28 is a bottom plan view thereof;

FIG. 29 is an upper perspective view of a container with a button in an extended position according to a fifth embodiment;

FIG. 30 is another upper perspective view thereof with the button in a depressed position;

FIG. 31 is a lower perspective view thereof;

FIG. 32 is a side elevation view thereof with the button in the extended position, and each side being identical;

FIG. 33 is a side elevation view thereof with the button in the depressed position, and each side being identical;

FIG. 34 is a top plan view thereof;

FIG. 35 is a bottom plan view thereof;

FIG. 36 is an upper perspective view of a container with a button in an extended position according to a sixth embodiment;

FIG. 37 is another upper perspective view thereof with the button in a depressed position;

FIG. 38 is a lower perspective view thereof;

FIG. 39 is a side elevation view thereof with the button in the extended position, and each side being identical;







FIG. 114 is an upper perspective view of a container with a button in an extended position according to a sixteenth embodiment;

FIG. 115 is another upper perspective view thereof with the button in a depressed position;

FIG. 116 is a lower perspective view thereof;

FIG. 117 is a side elevation view thereof with the button in the extended position, and each side being identical;

FIG. 118 is a side elevation view thereof with the button in the depressed position, and each side being identical;

FIG. 119 is a top plan view thereof;

FIG. 120 is a bottom plan view thereof;

FIG. 121 is an upper perspective view of a container with a button in an extended position according to a seventeenth embodiment;

FIG. 122 is another upper perspective view thereof with the button in a depressed position;

FIG. 123 is a lower perspective view thereof;

FIG. 124 is a side elevation view thereof with the button in the extended position, and each side being identical;

FIG. 125 is a side elevation view thereof with the button in the depressed position, and each side being identical;

FIG. 126 is a top plan view thereof;

FIG. 127 is a bottom plan view thereof;

FIG. 128 is an upper perspective view of a container with a button in an extended position according to an eighteenth embodiment;

FIG. 129 is another upper perspective view thereof with the button in a depressed position;

FIG. 130 is a lower perspective view thereof;

FIG. 131 is a side elevation view thereof with the button in the extended position, and each side being identical;

FIG. 132 is a side elevation view thereof with the button in the depressed position, and each side being identical;

FIG. 133 is a top plan view thereof;

FIG. 134 is a bottom plan view thereof;

FIG. 135 is an upper perspective view of a container with a button in an extended position according to a nineteenth embodiment;

FIG. 136 is another upper perspective view thereof with the button in a depressed position;

FIG. 137 is a lower perspective view thereof;

FIG. 138 is a front elevation view thereof with the button in the extended position and the rear being identical.

FIG. 139 is a front elevation view thereof with the button in the depressed position, and the rear being identical;

FIG. 140 is a side elevation view thereof with the button in the extended position, and the opposite side being identical;

FIG. 141 is a side elevation view thereof with the button in the depressed position, and the opposite side being identical;

FIG. 142 is a top plan view thereof;

FIG. 143 is a bottom plan view thereof;

FIG. 144 is an upper perspective view of a container with the button in an extended position according to a twentieth embodiment;

FIG. 145 is another upper perspective view thereof with the button in a depressed position;

FIG. 146 is a lower perspective view thereof;

FIG. 147 is a front elevation view thereof with the button in the extended position, and the rear being identical;

FIG. 148 is a front elevation view thereof with the button in the depressed position, and the rear being identical;

FIG. 149 is a side elevation view thereof with the button in the extended position, and the opposite side being identical;

FIG. 150 is a side elevation view thereof with the button in the depressed position, and the opposite side being identical;

FIG. 151 is a top plan view thereof;

FIG. 152 is a bottom plan view thereof;

FIG. 153 is an upper perspective view of a container with a button in an extended position according to a twenty first embodiment;

FIG. 154 is another upper perspective view thereof with the button in a depressed position;

FIG. 155 is a lower perspective view thereof;

FIG. 156 is a front elevation view thereof with the button in the extended position, and the rear being identical;

FIG. 157 is a front elevation view thereof with the button in the depressed position, and the rear being identical;

FIG. 158 is a side elevation view thereof with the button in the extended position, and the opposite side being identical;

FIG. 159 is a side elevation view thereof with the button in the depressed position, and the opposite side being identical;

FIG. 160 is a top plan view thereof;

FIG. 161 is a bottom plan view thereof;

FIG. 162 is an upper perspective view of a container with a button in an extended position according to a twenty second embodiment;

FIG. 163 is another upper perspective view thereof with the button in a depressed position;

FIG. 164 is a lower perspective view thereof;

FIG. 165 is a front elevation view thereof with the button in the extended position, and the rear being identical;

FIG. 166 is a front elevation view thereof with the button in the depressed position, and the rear being identical;

FIG. 167 is a side elevation view thereof with the button in the extended position, and the opposite side being identical;

FIG. 168 is a side elevation view thereof with the button in the depressed position, and the opposite side being identical;

FIG. 169 is a top plan view thereof;

FIG. 170 is a bottom plan view thereof;

FIG. 171 is an upper perspective view of a container with a button in an extended position according to a twenty third embodiment;

FIG. 172 is another upper perspective view thereof with the button in a depressed position;

FIG. 173 is a lower perspective view thereof;

FIG. 174 is a front elevation view thereof with the button in the extended position, and the rear being identical;

FIG. 175 is a front elevation view thereof with the button in the depressed position, and the rear being identical;

FIG. 176 is a side elevation view thereof with the button in the extended position, and the opposite side being identical;

FIG. 177 is a side elevation view thereof with the button in the depressed position, and the opposite side being identical;

FIG. 178 is a top plan view thereof; and,

FIG. 179 is a bottom plan view thereof.

The container is shown broken along the height direction in FIGS. 29-35, 57-61, 91-97, 128-132, and 171-177 to indicate indeterminate height, with the understanding the "indeterminate" height portion of the container not shown forms no part of the claimed design. Patentability is based only on those portions of the article that are shown in solid lines.

The broken lines in the drawings depict portions of the container that form no part of the claimed design.

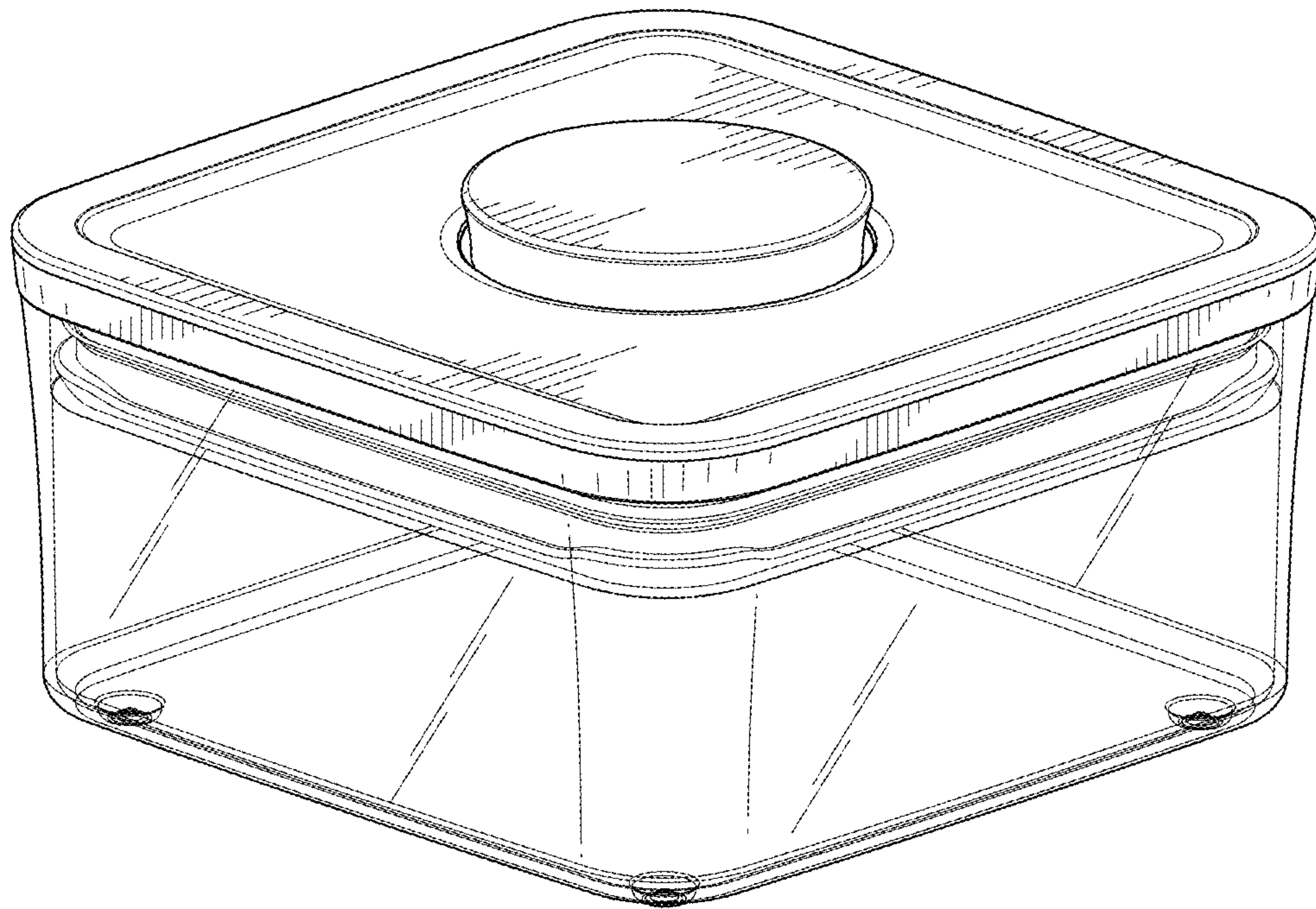


FIG. 1



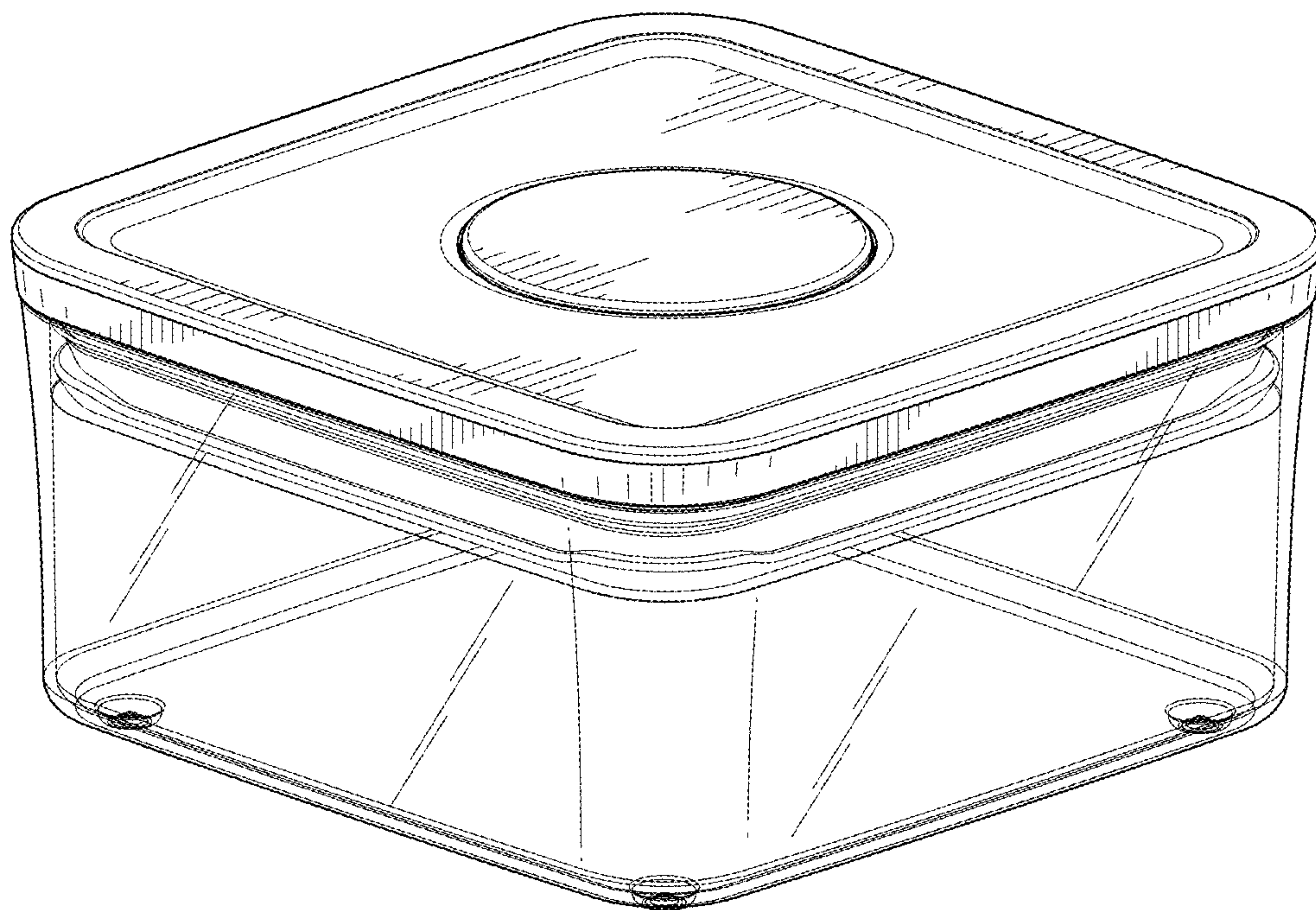


FIG. 2

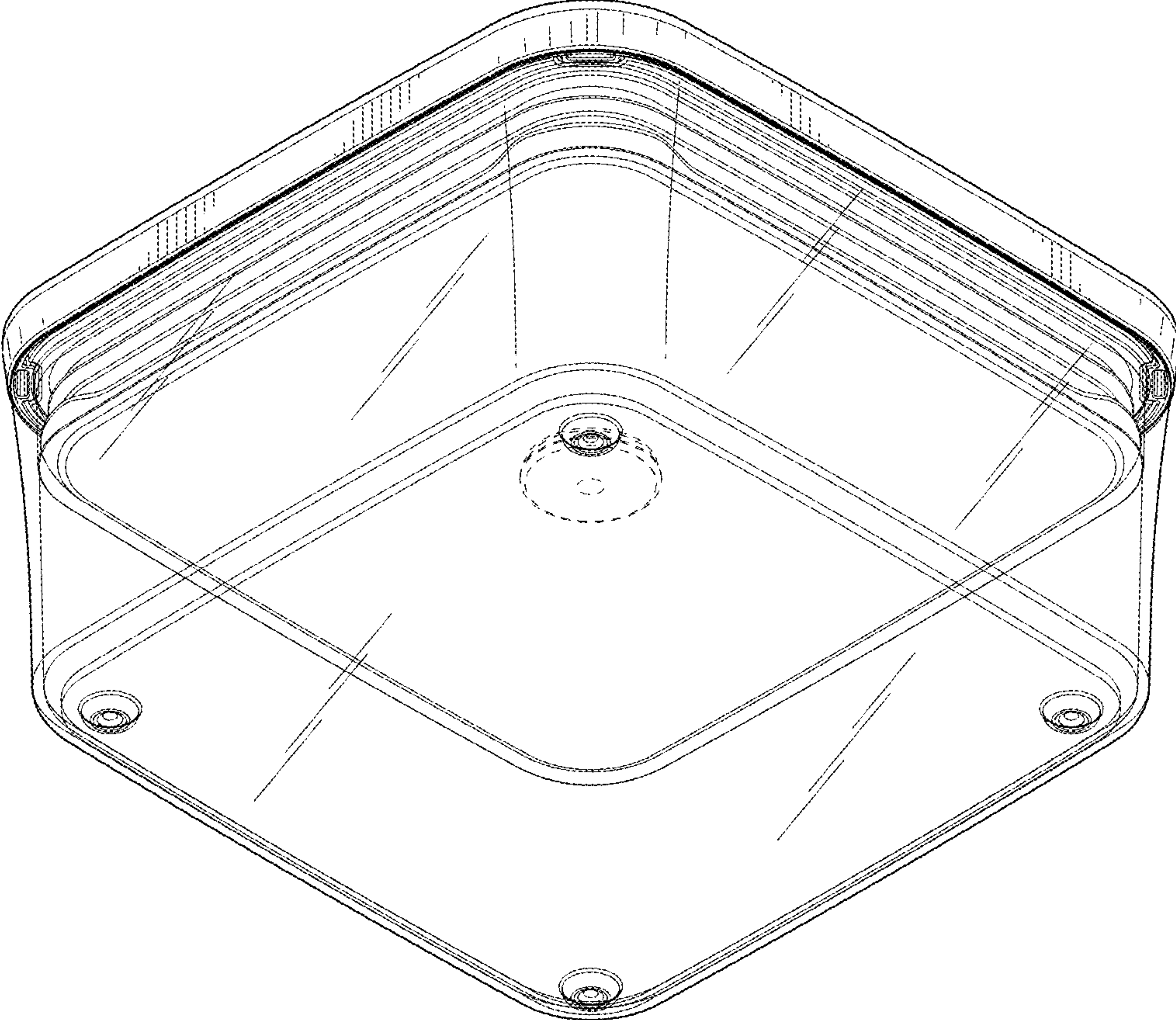


FIG. 3

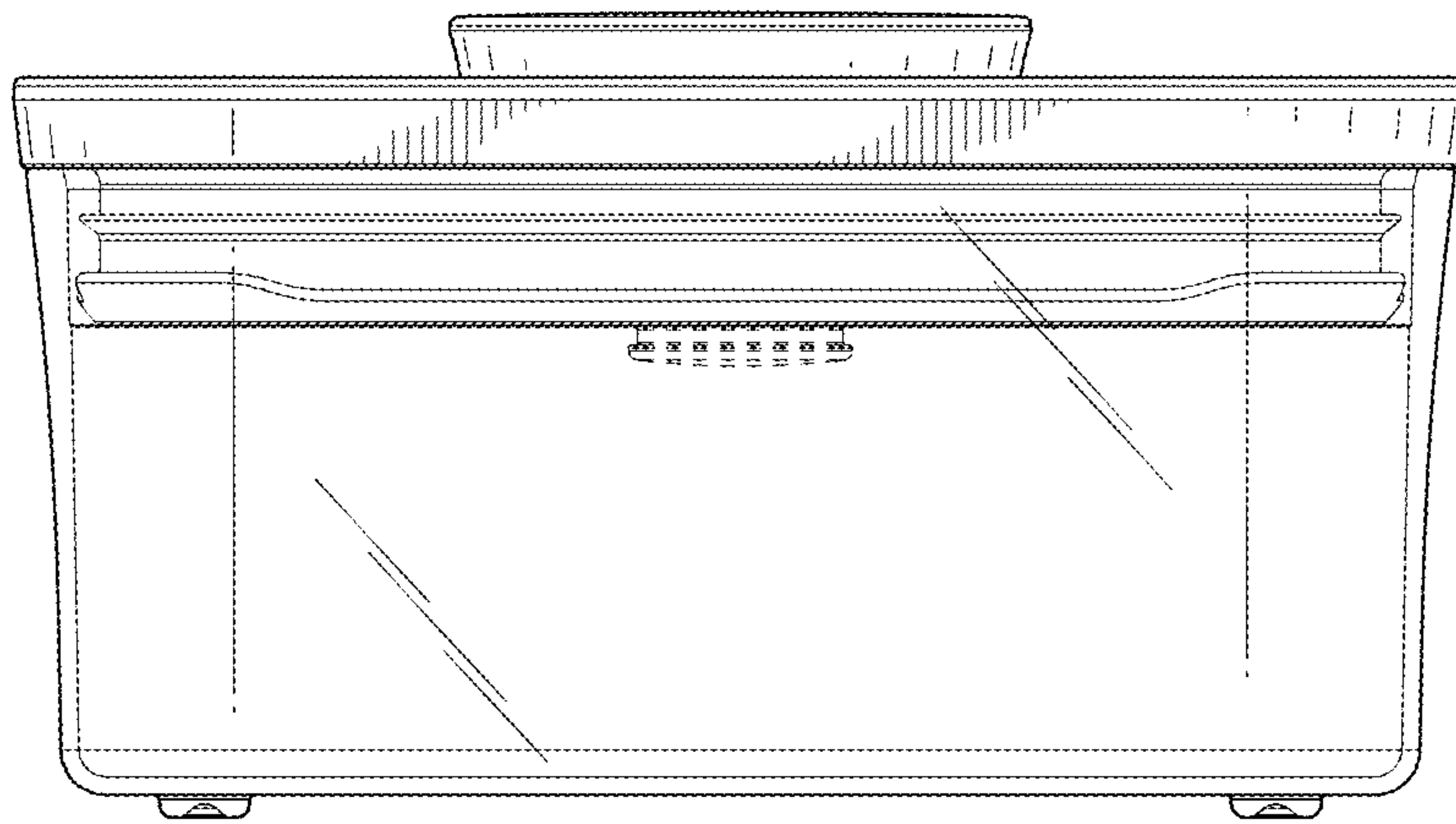


FIG.4



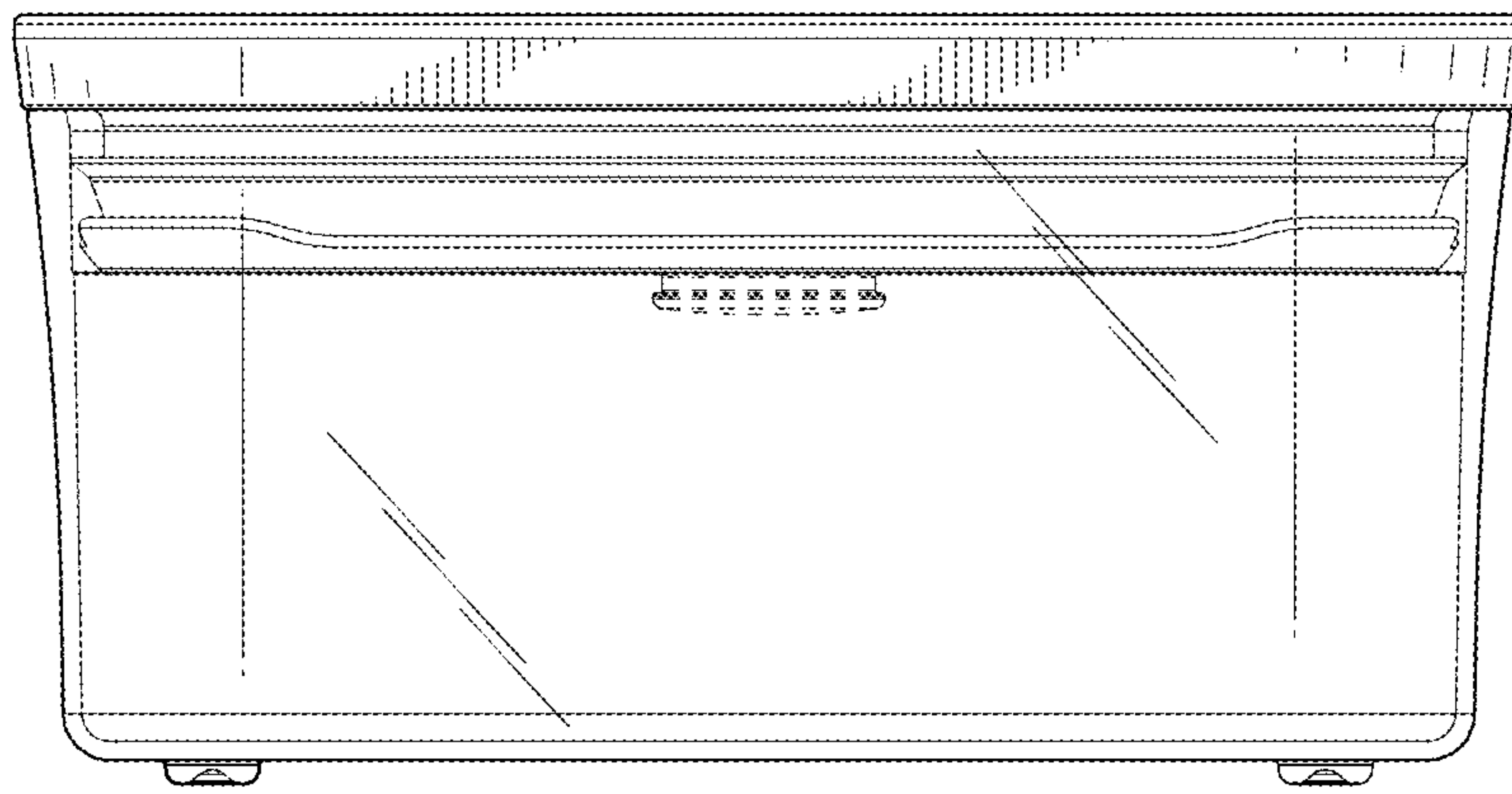


FIG.5

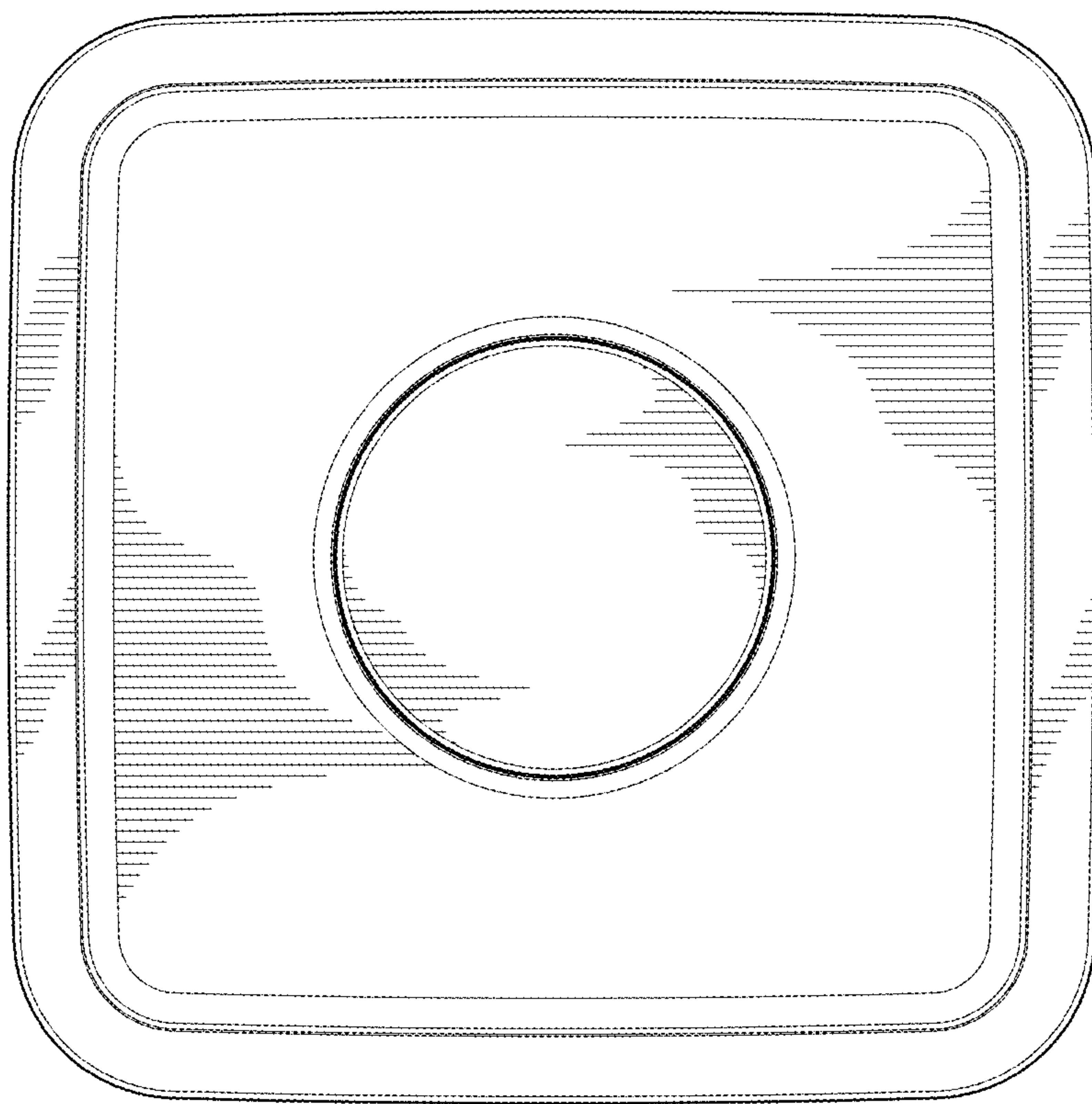


FIG. 6



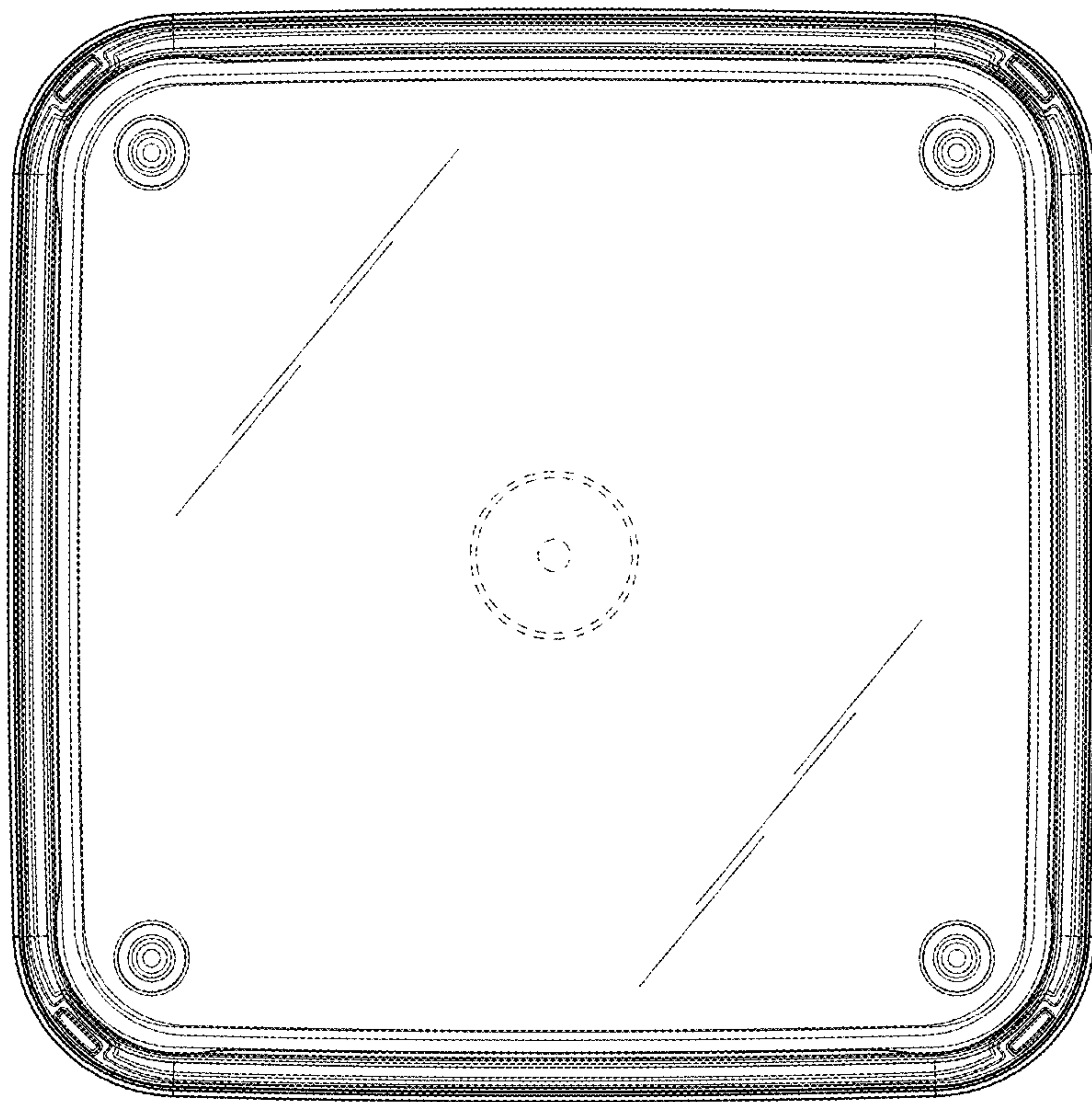


FIG. 7

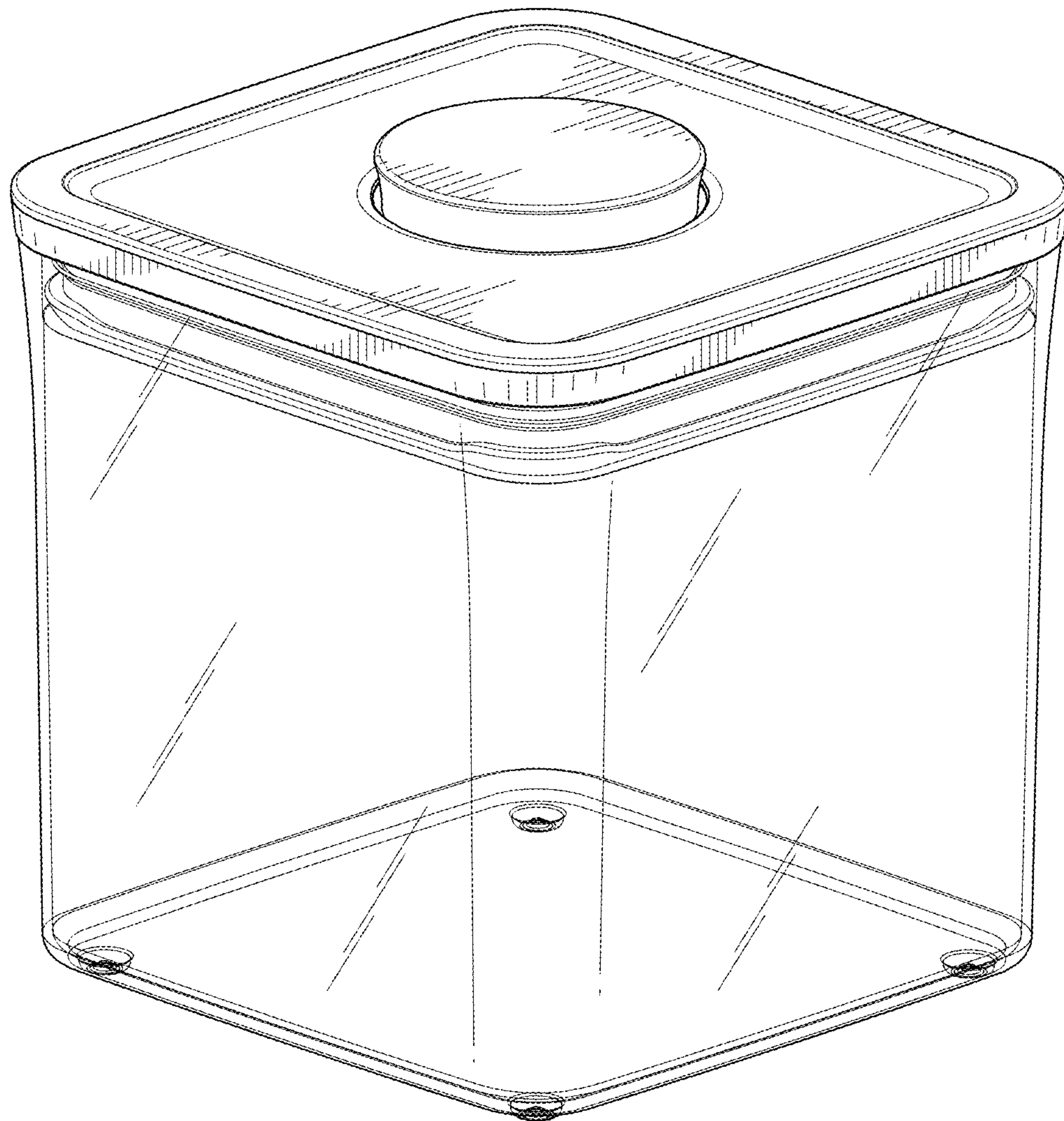


FIG.8



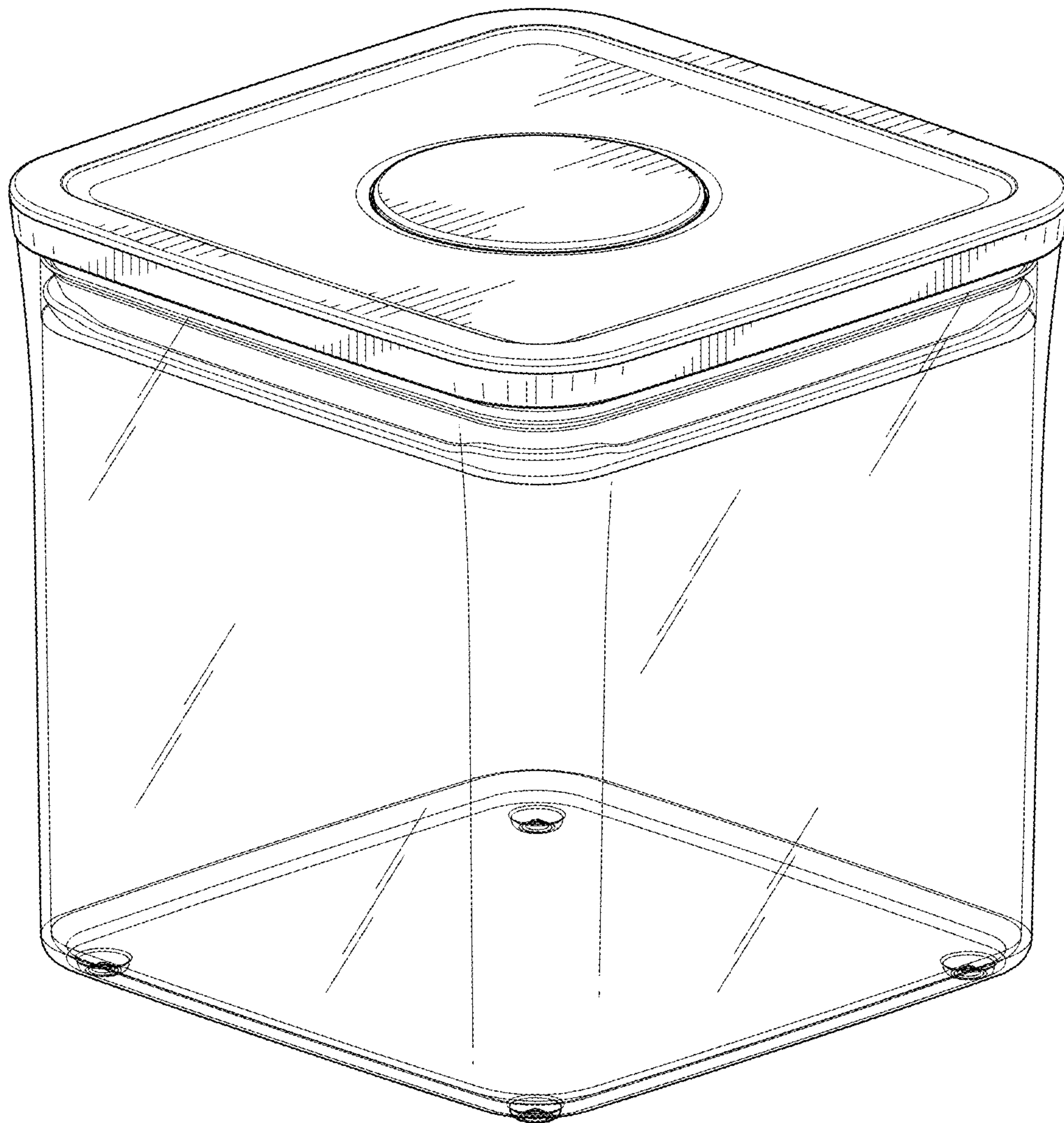


FIG. 9

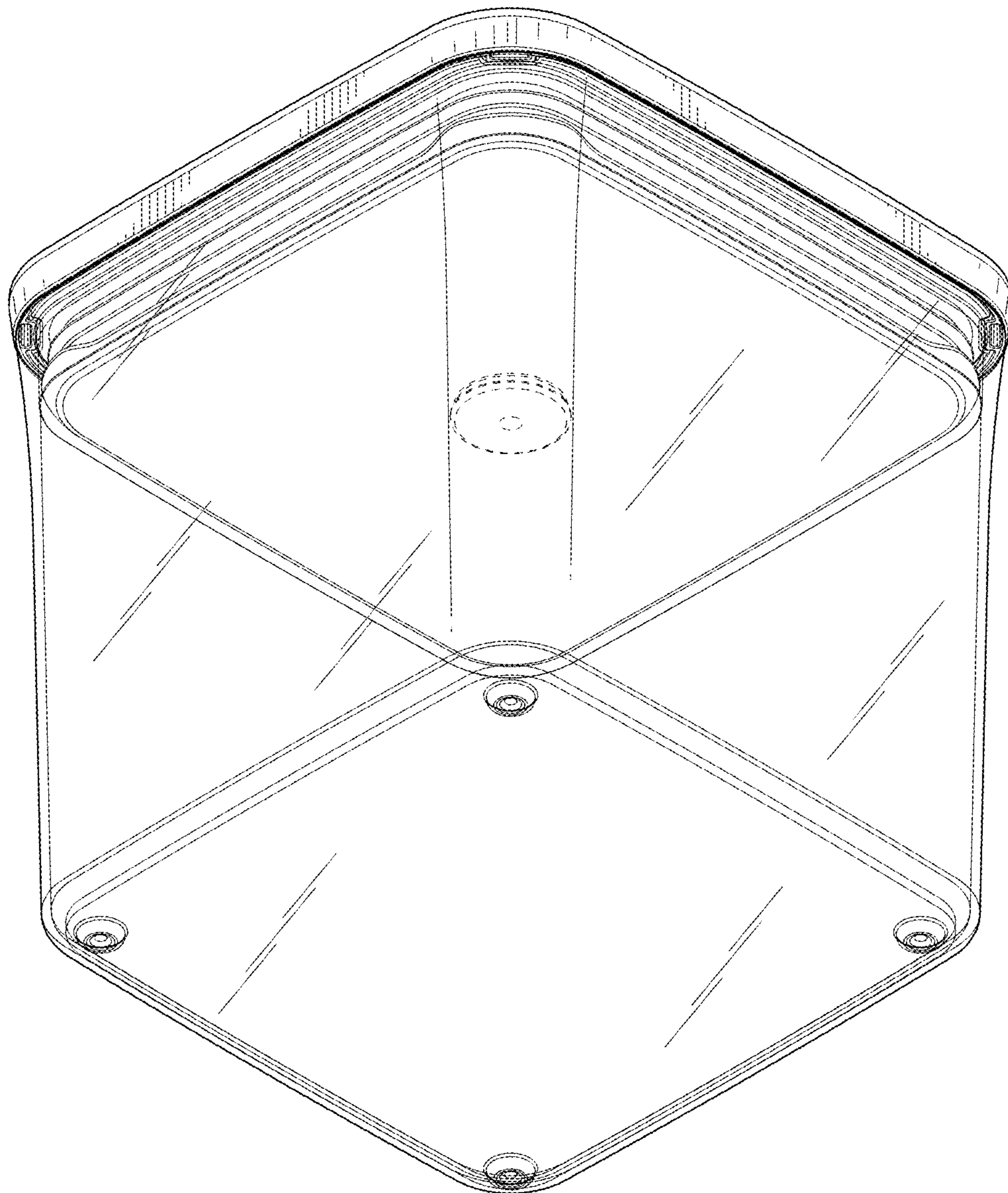


FIG. 10



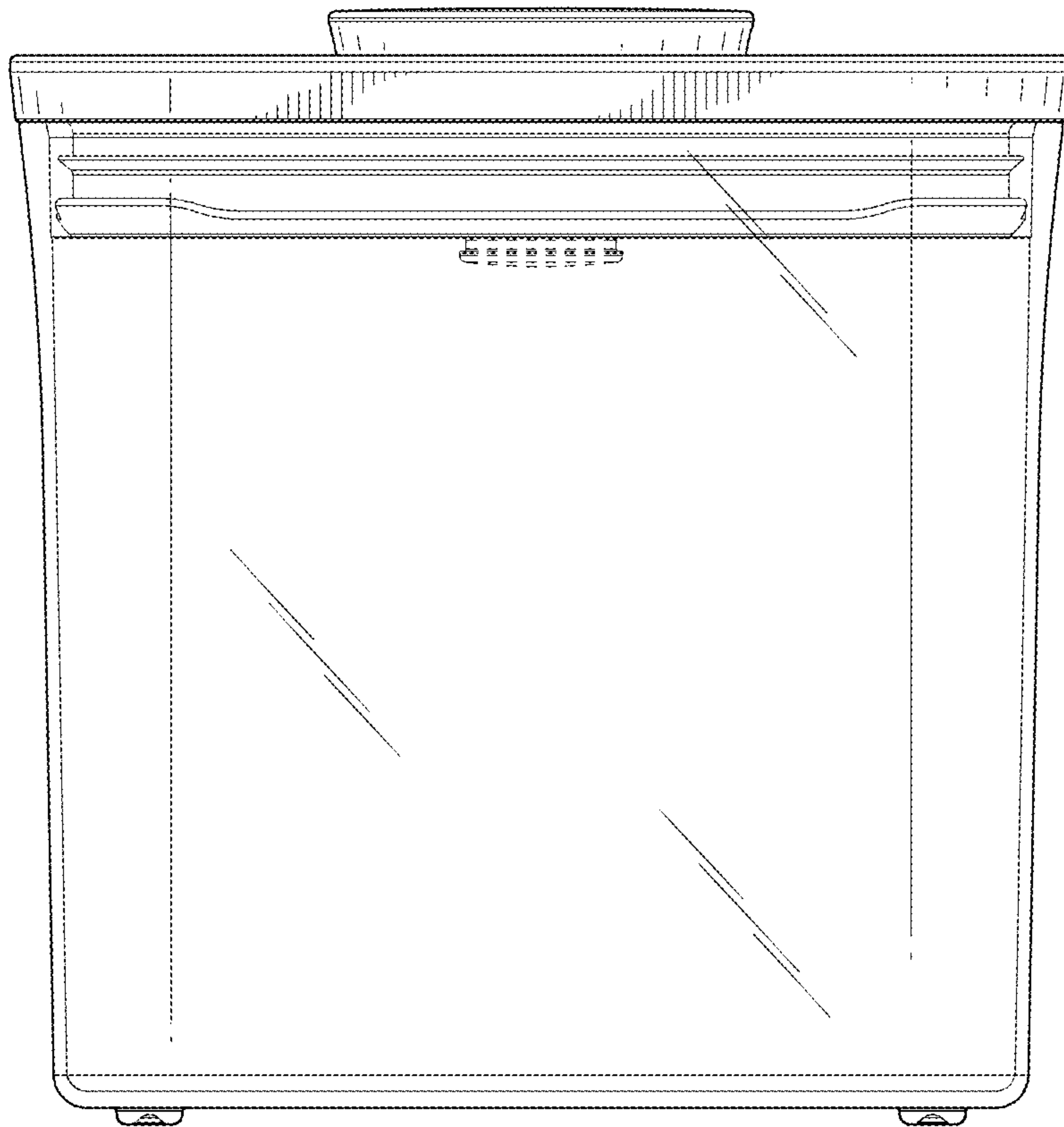


FIG. 11

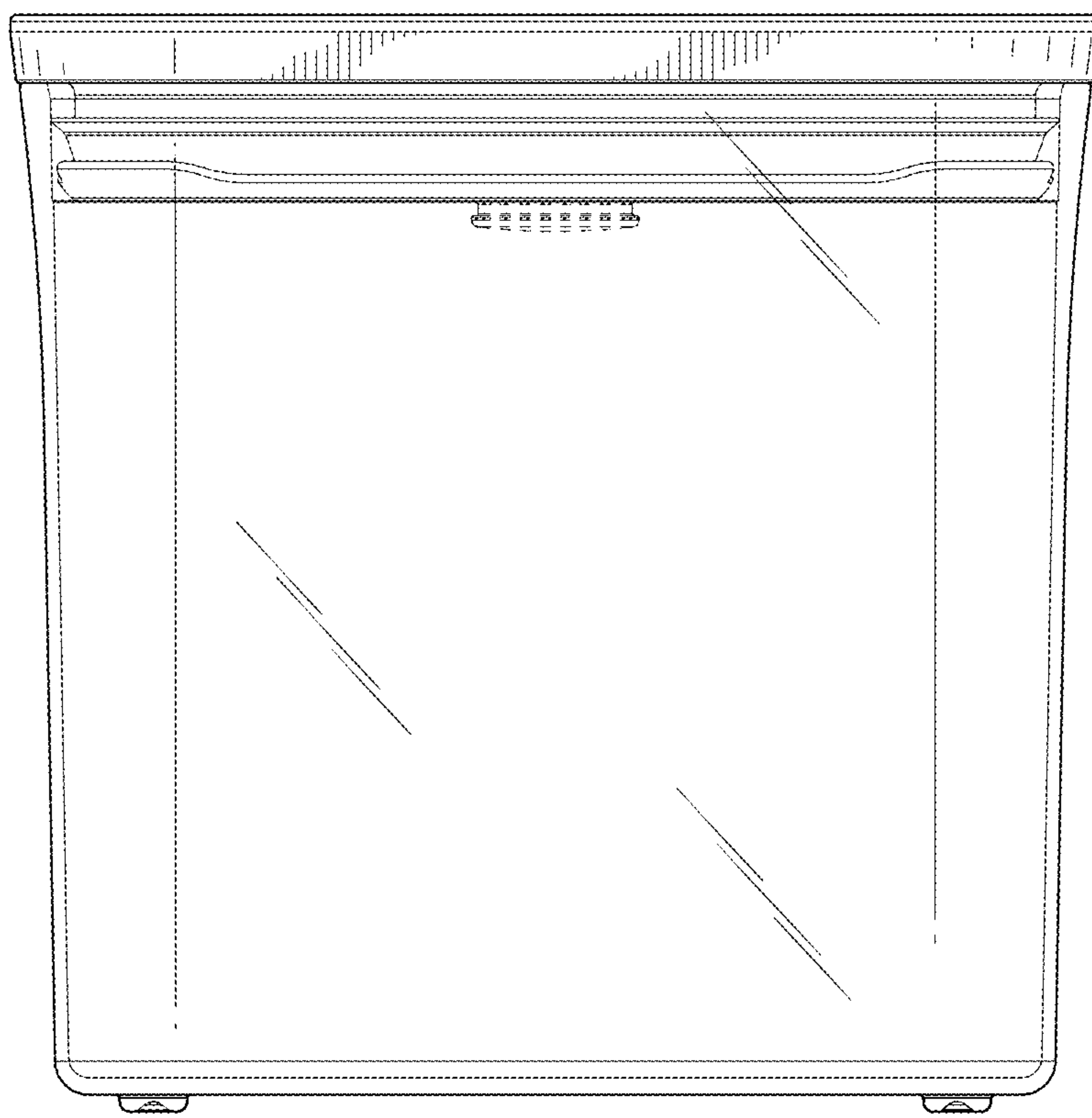


FIG. 12



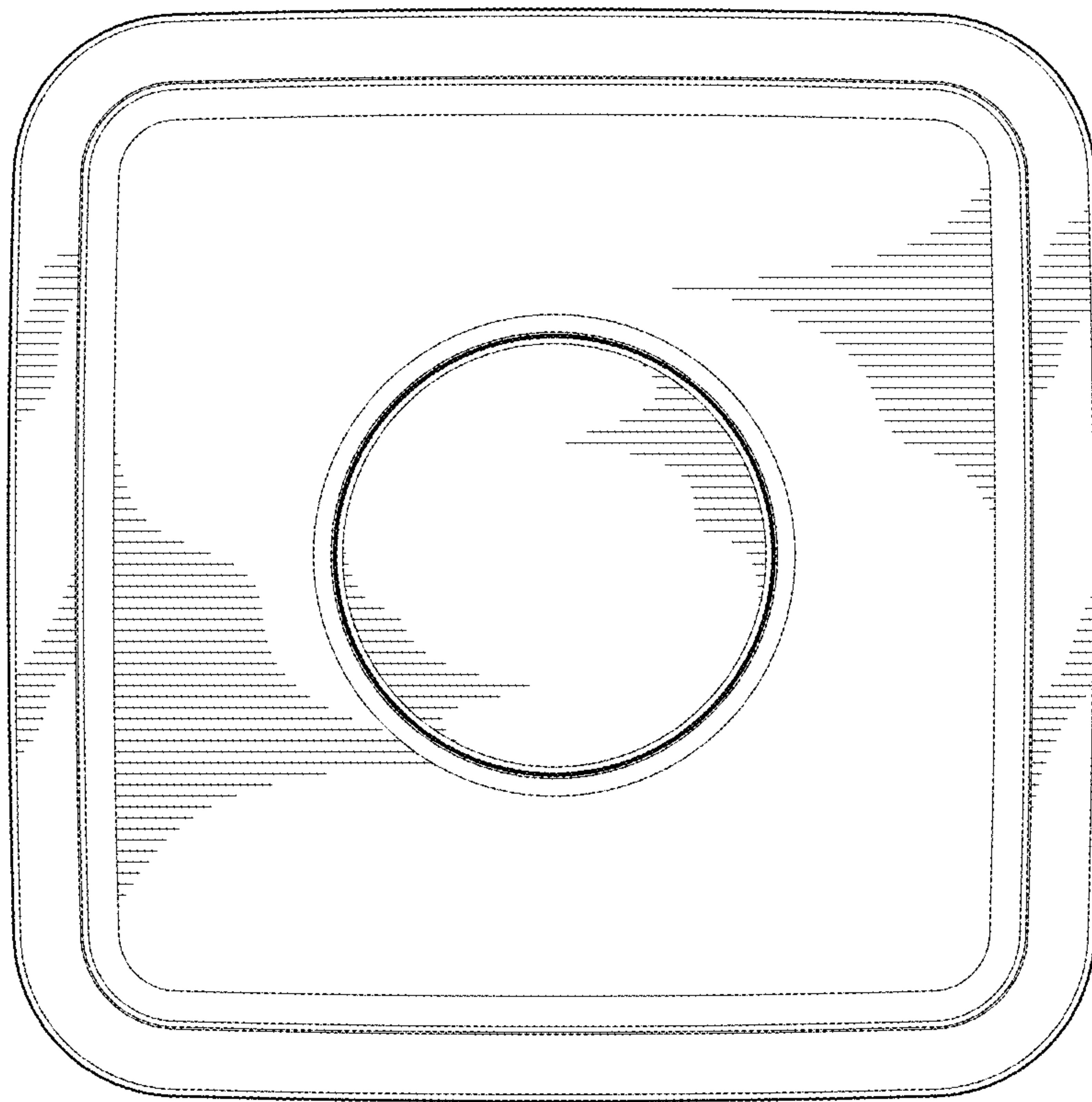


FIG. 13

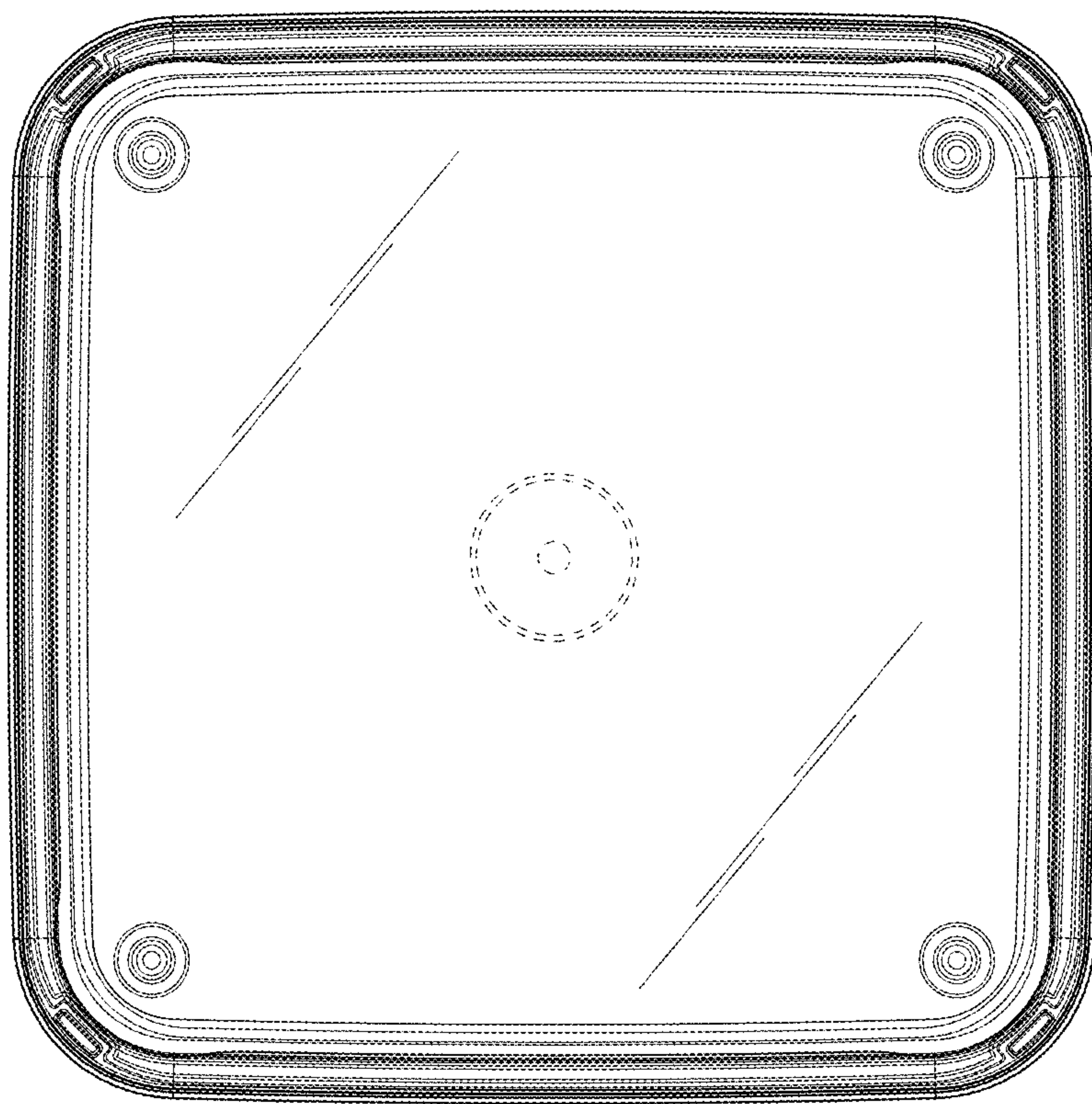


FIG. 14



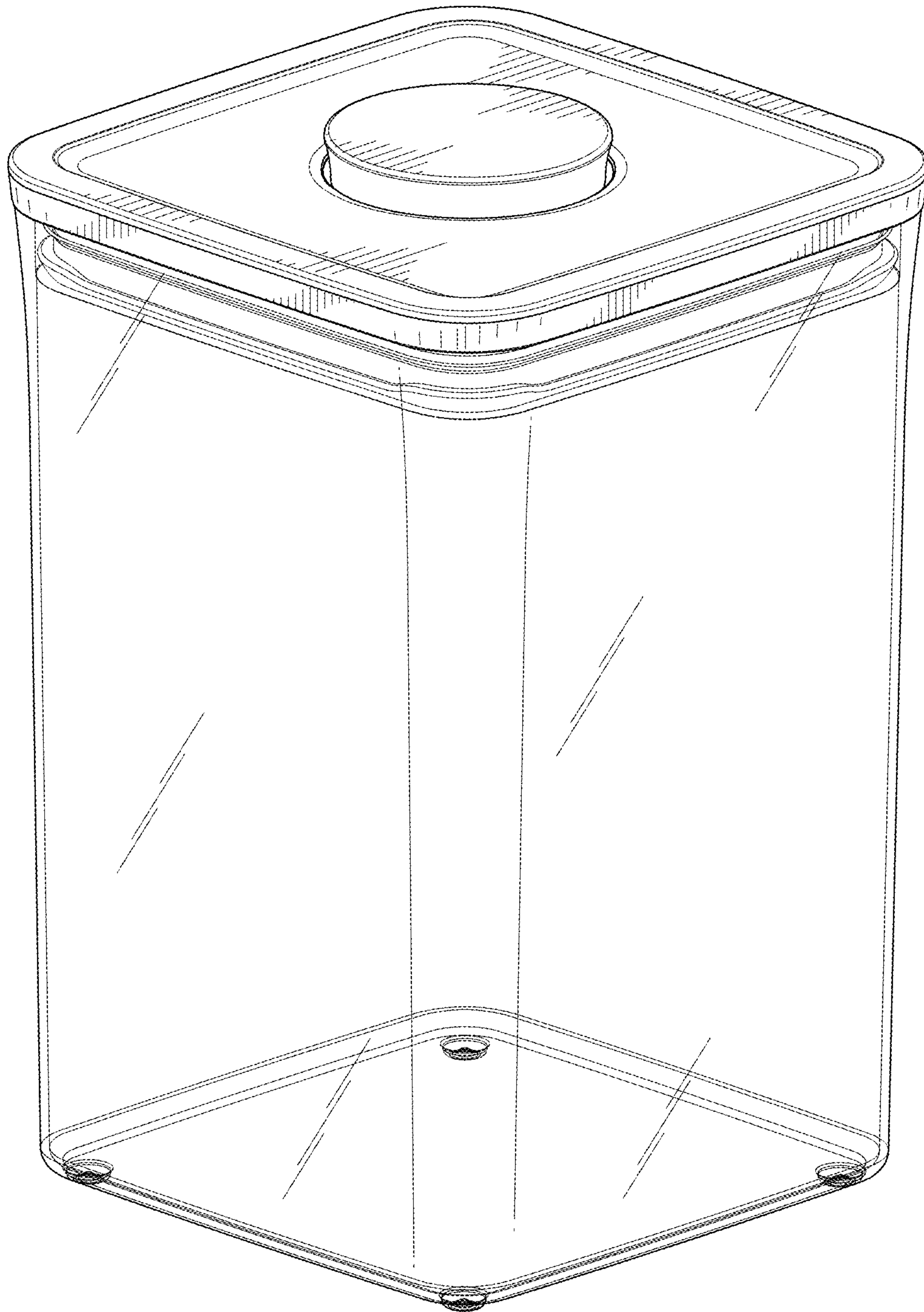


FIG. 15

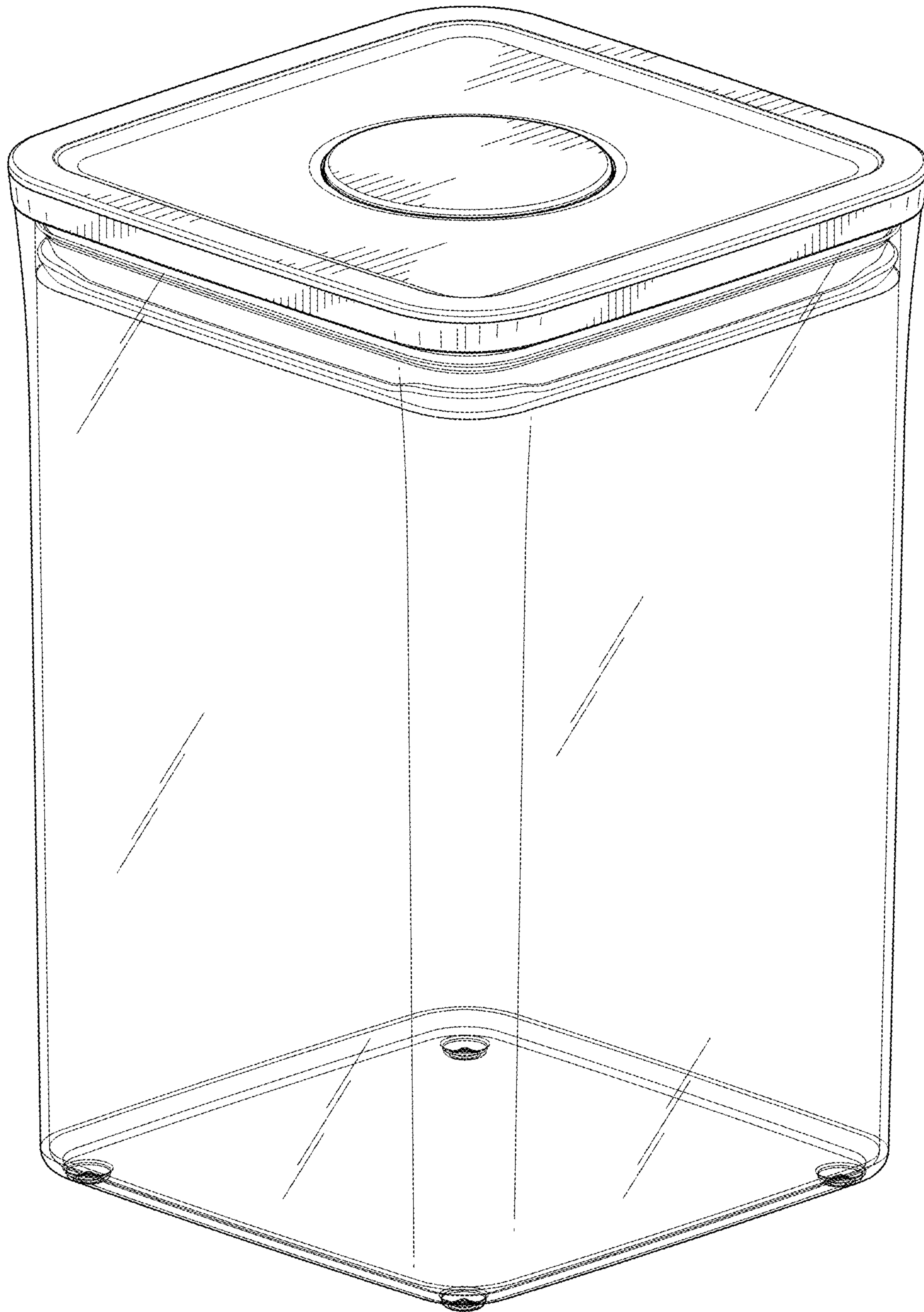


FIG. 16

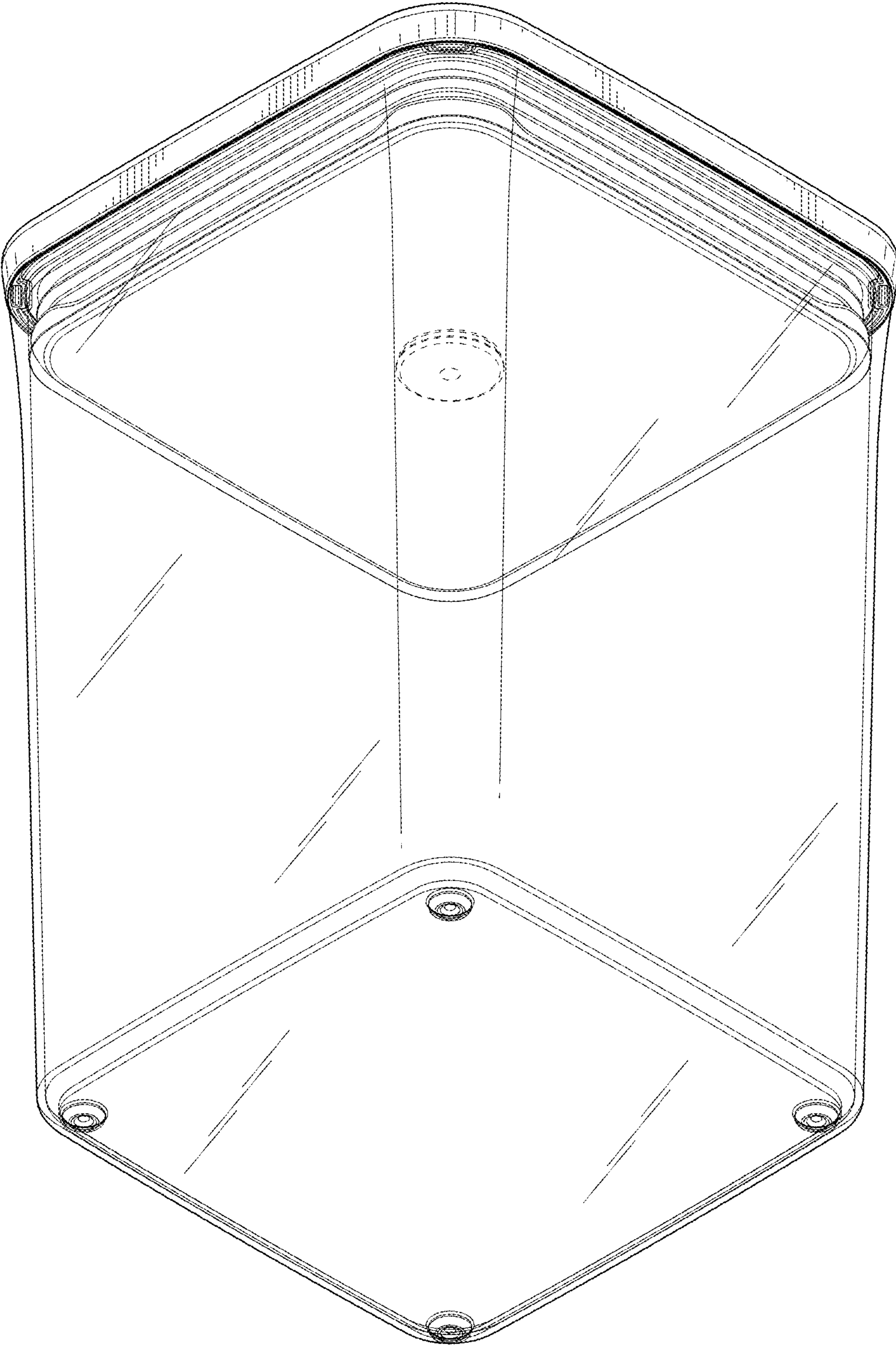


FIG. 17



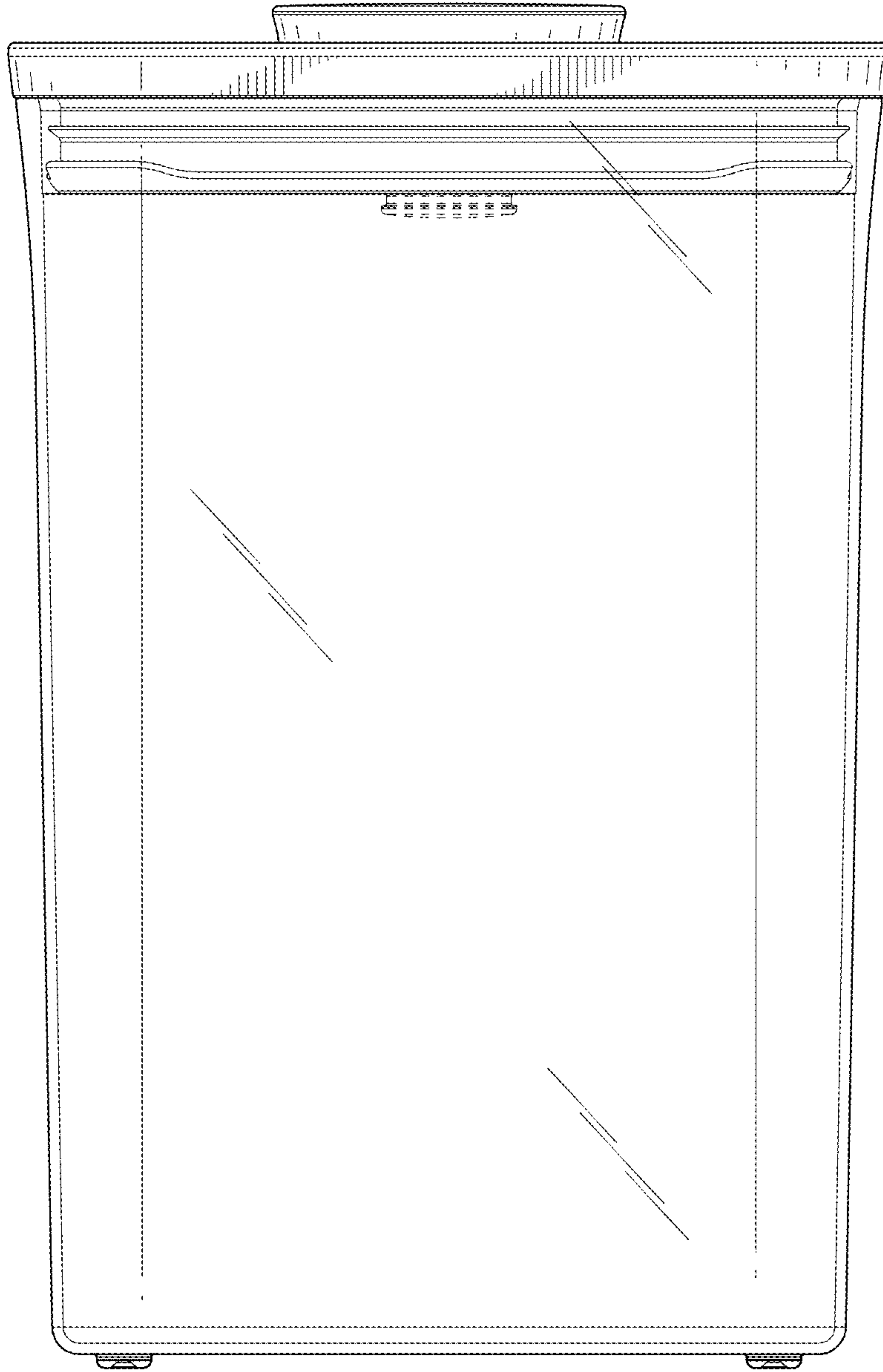


FIG. 18

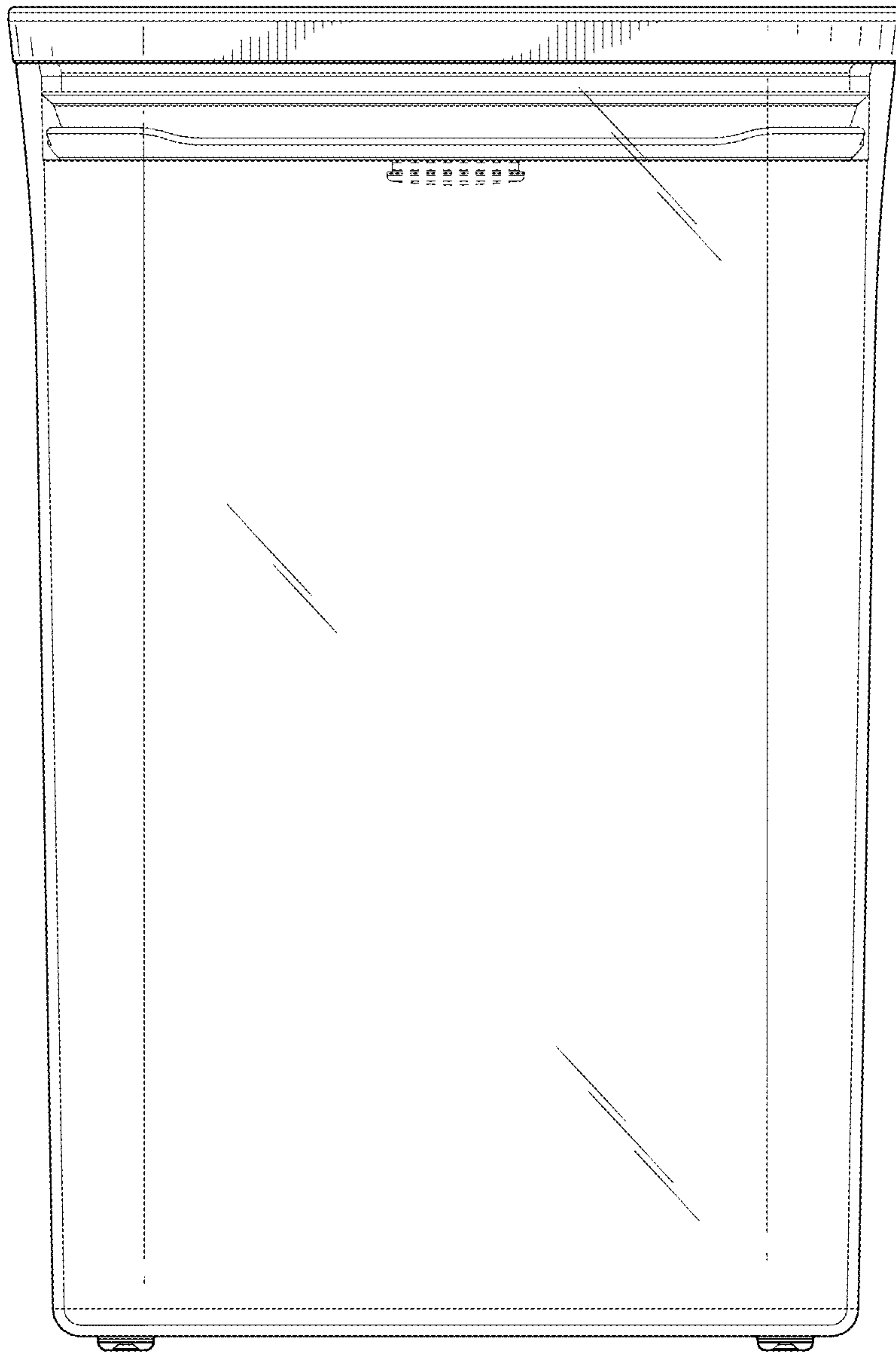


FIG. 19

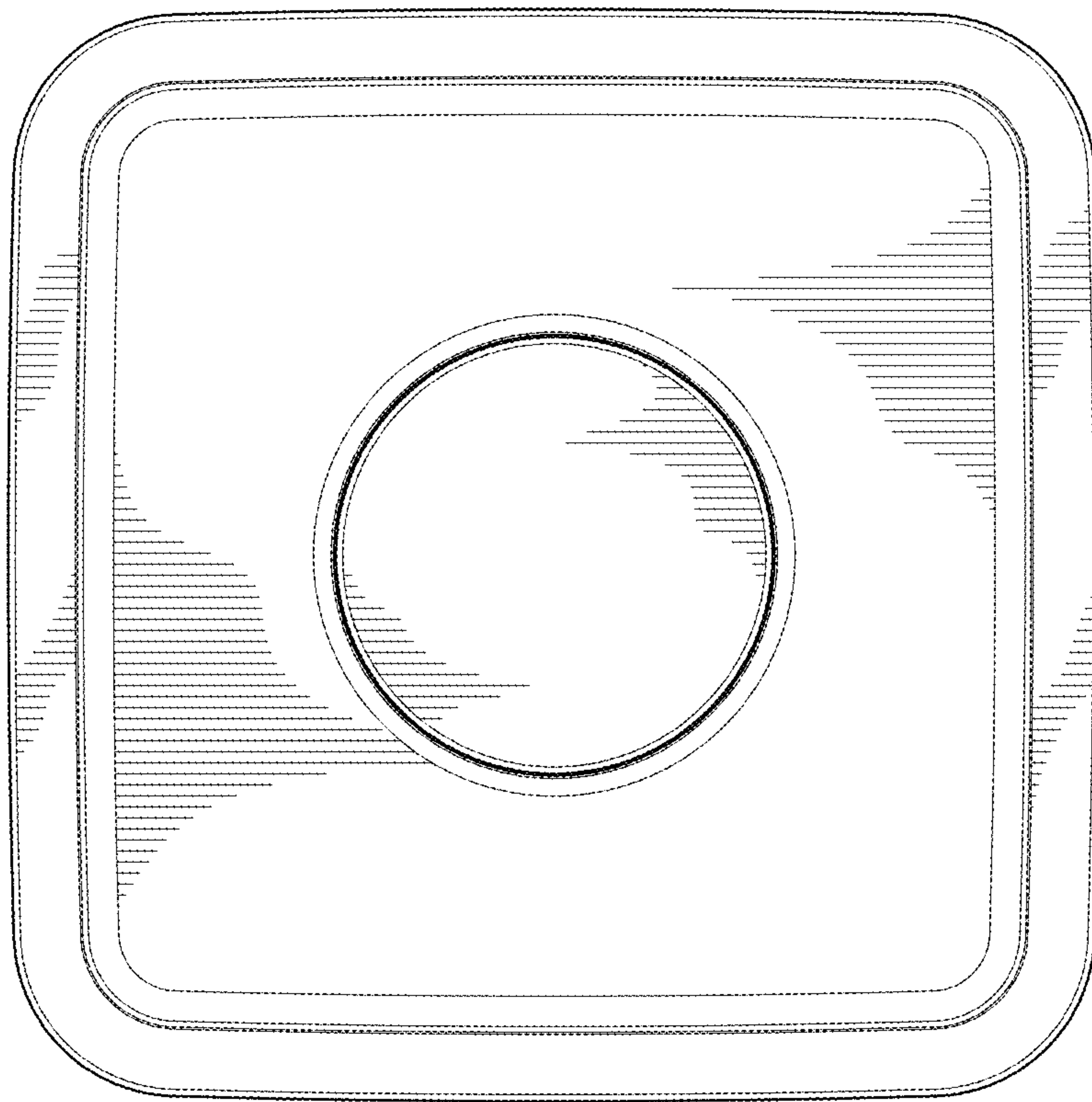


FIG. 20



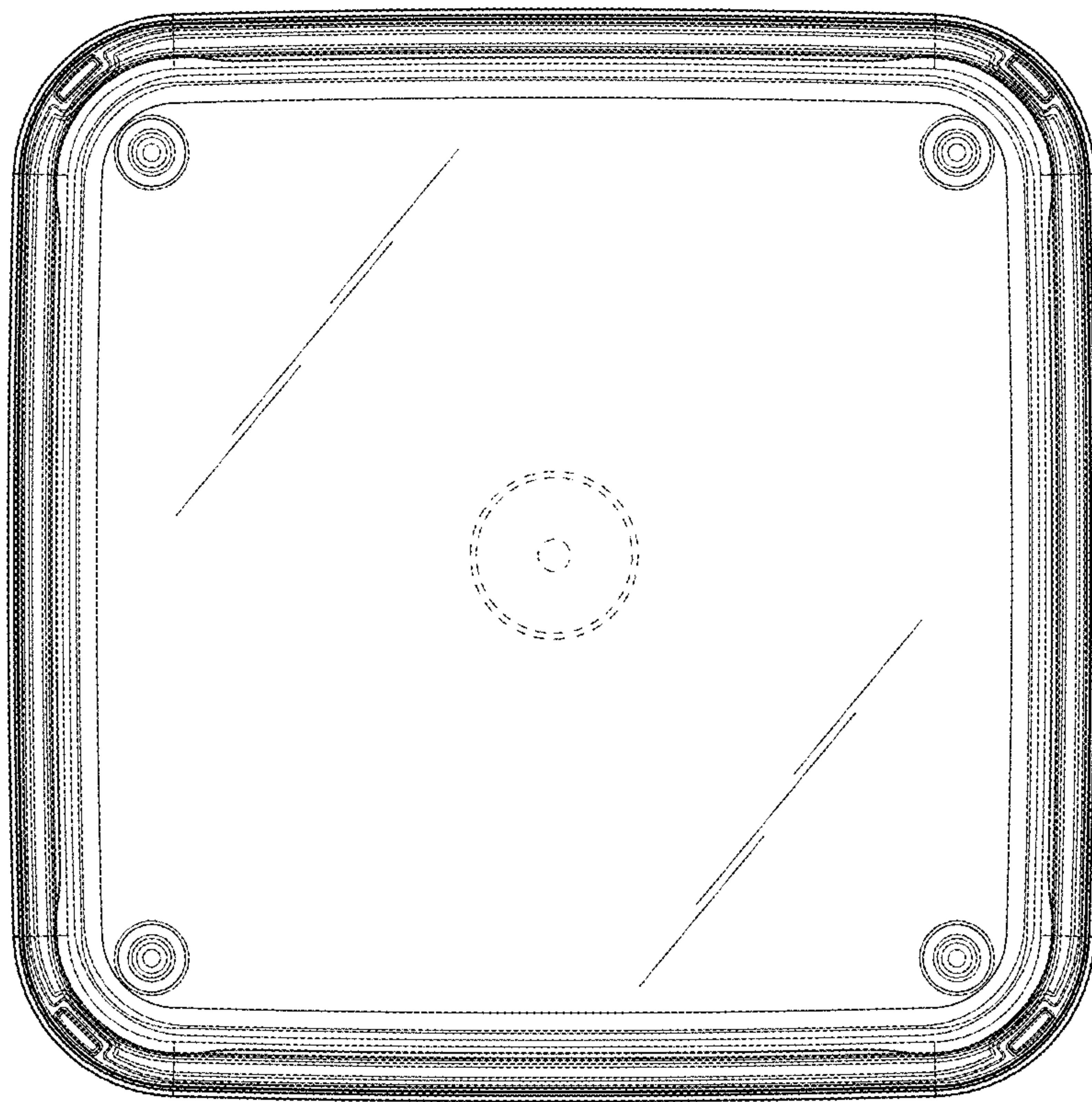


FIG.21

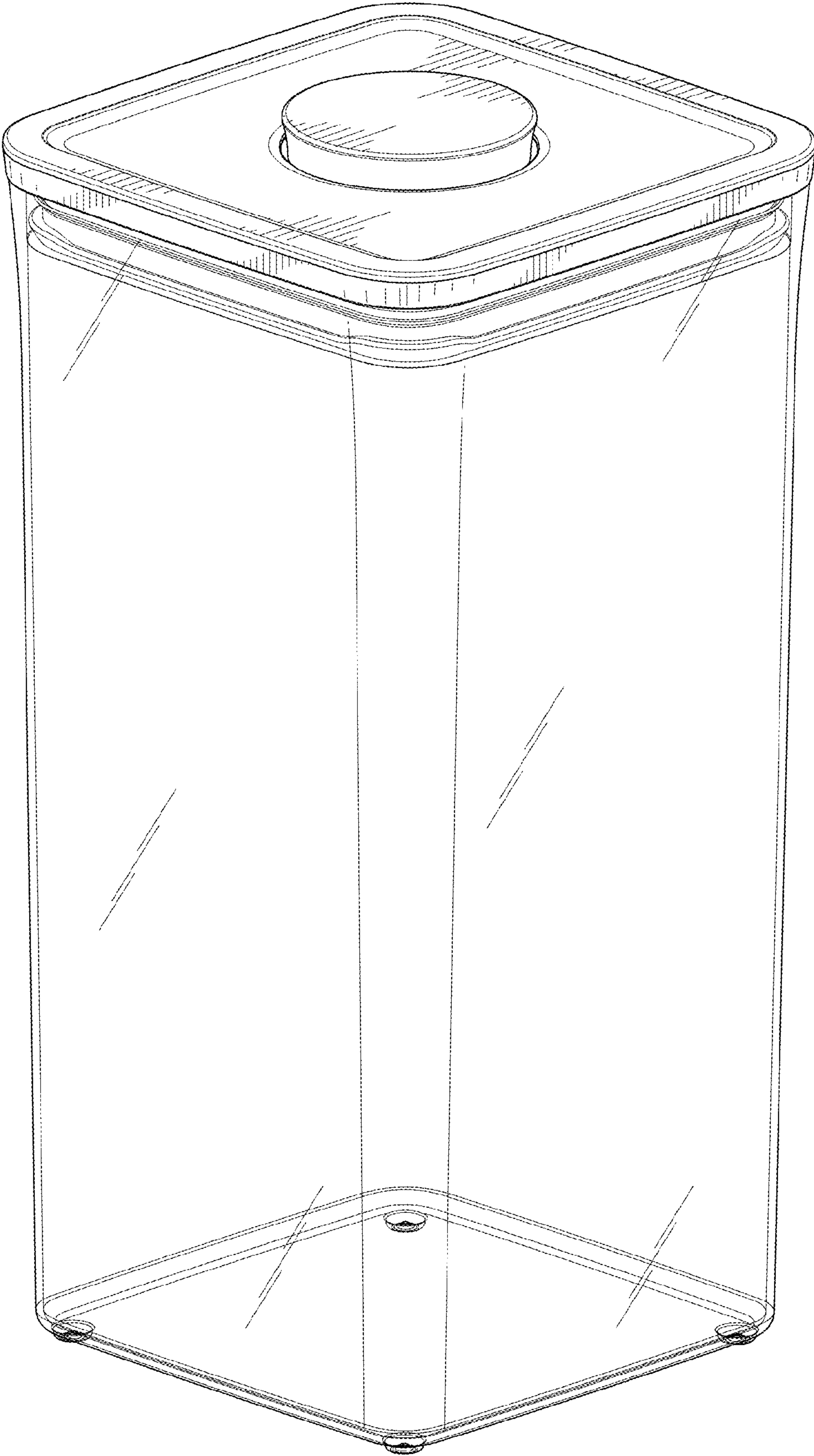


FIG. 22

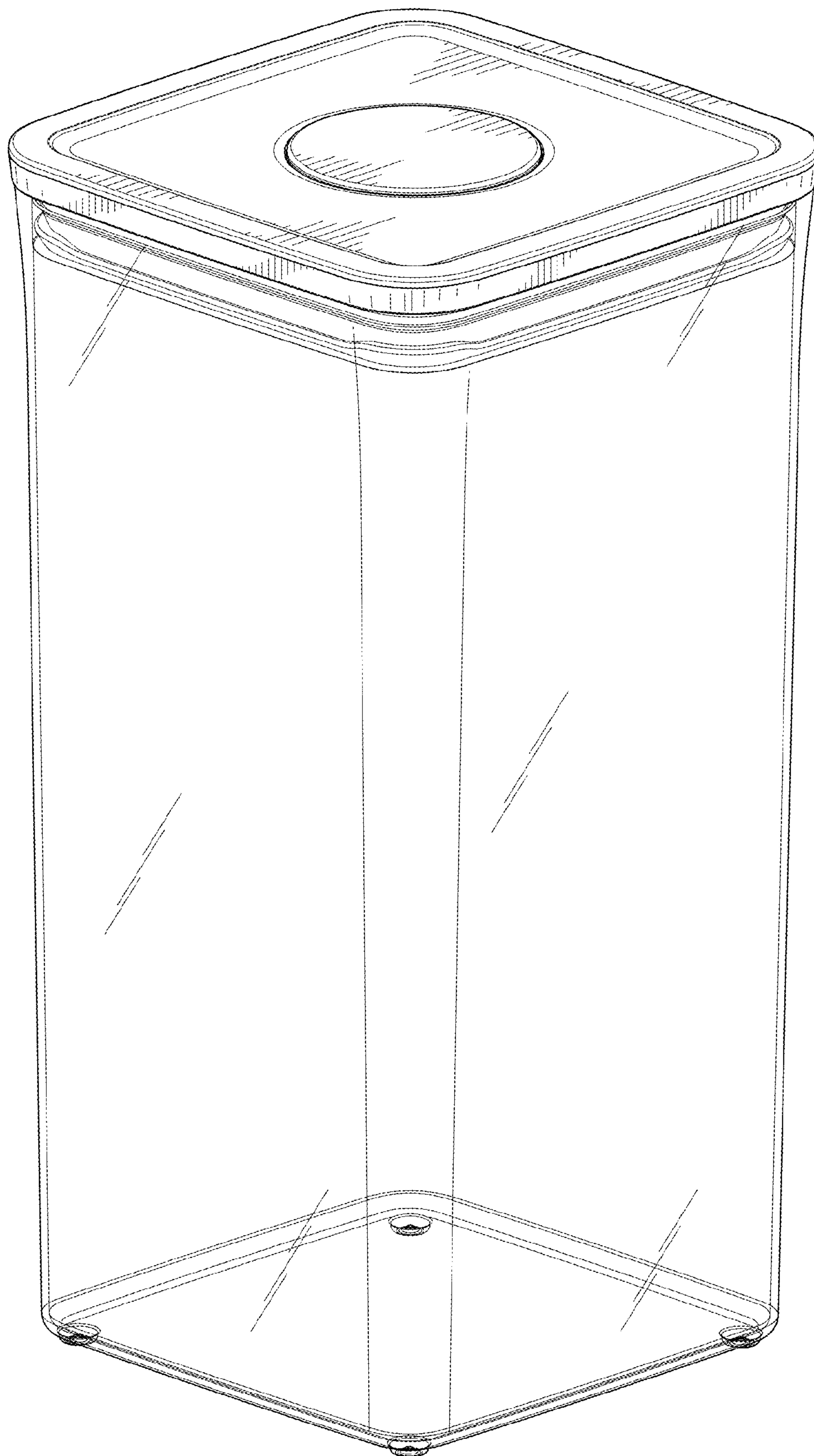


FIG. 23



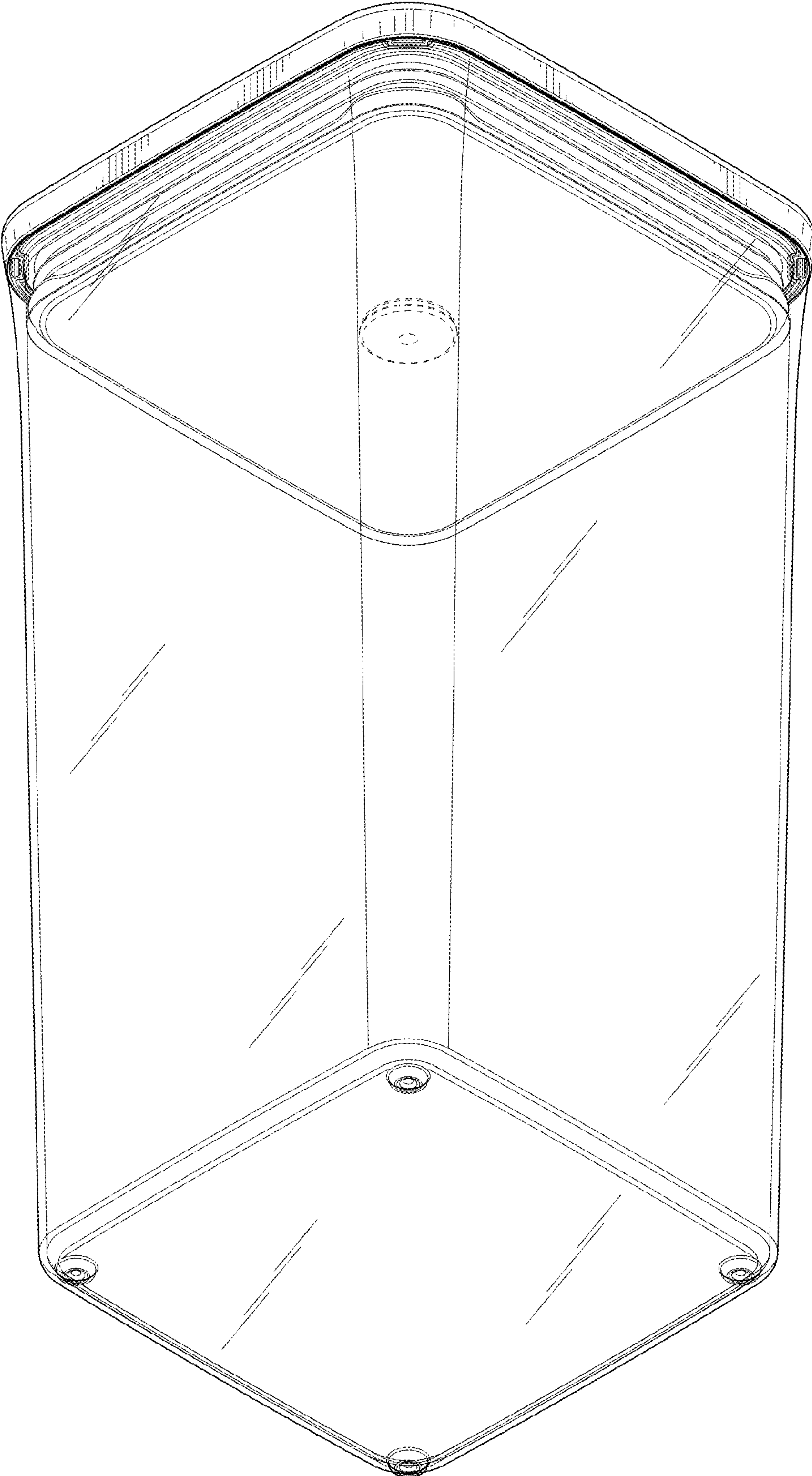


FIG. 24

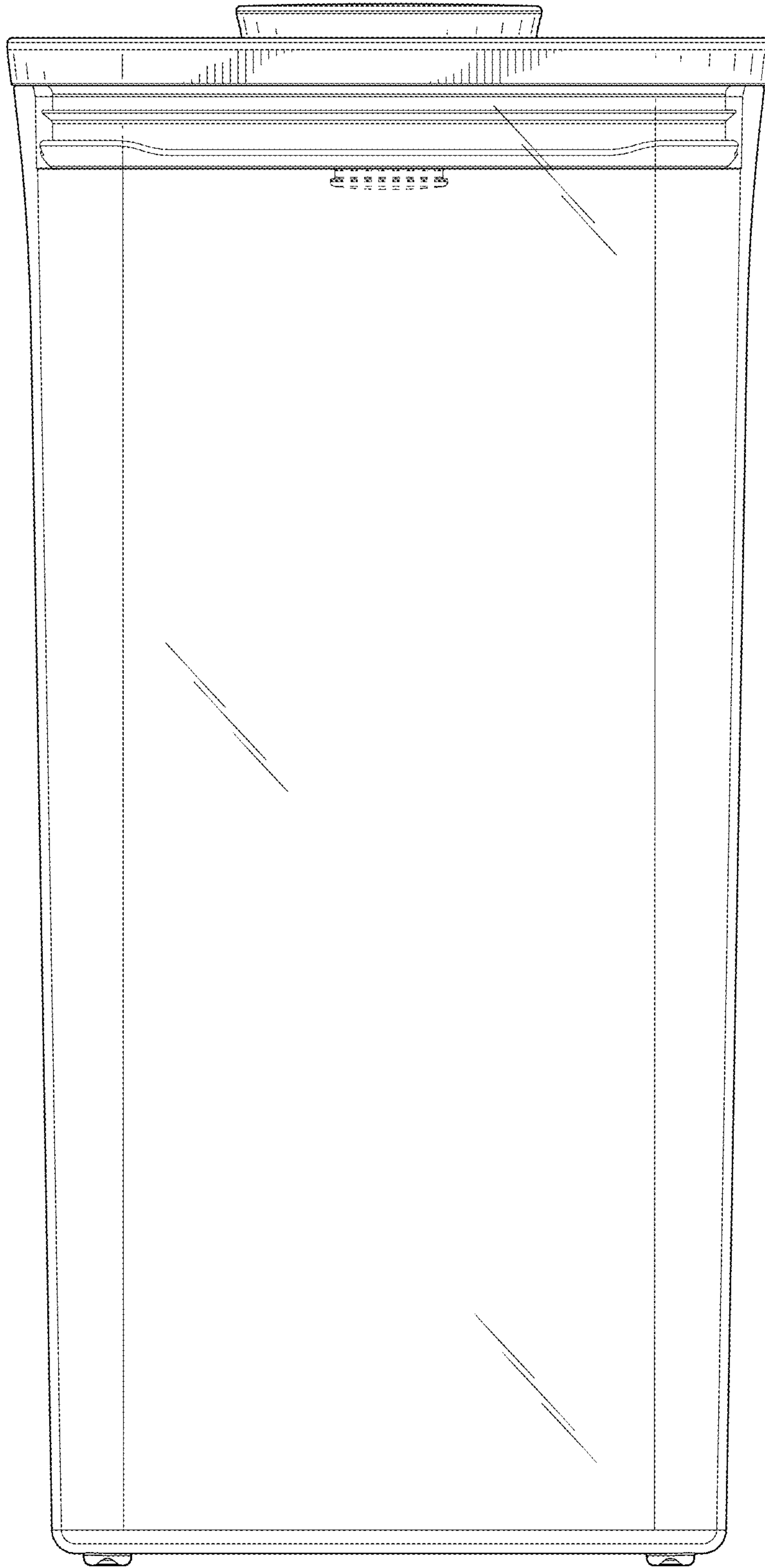


FIG. 25

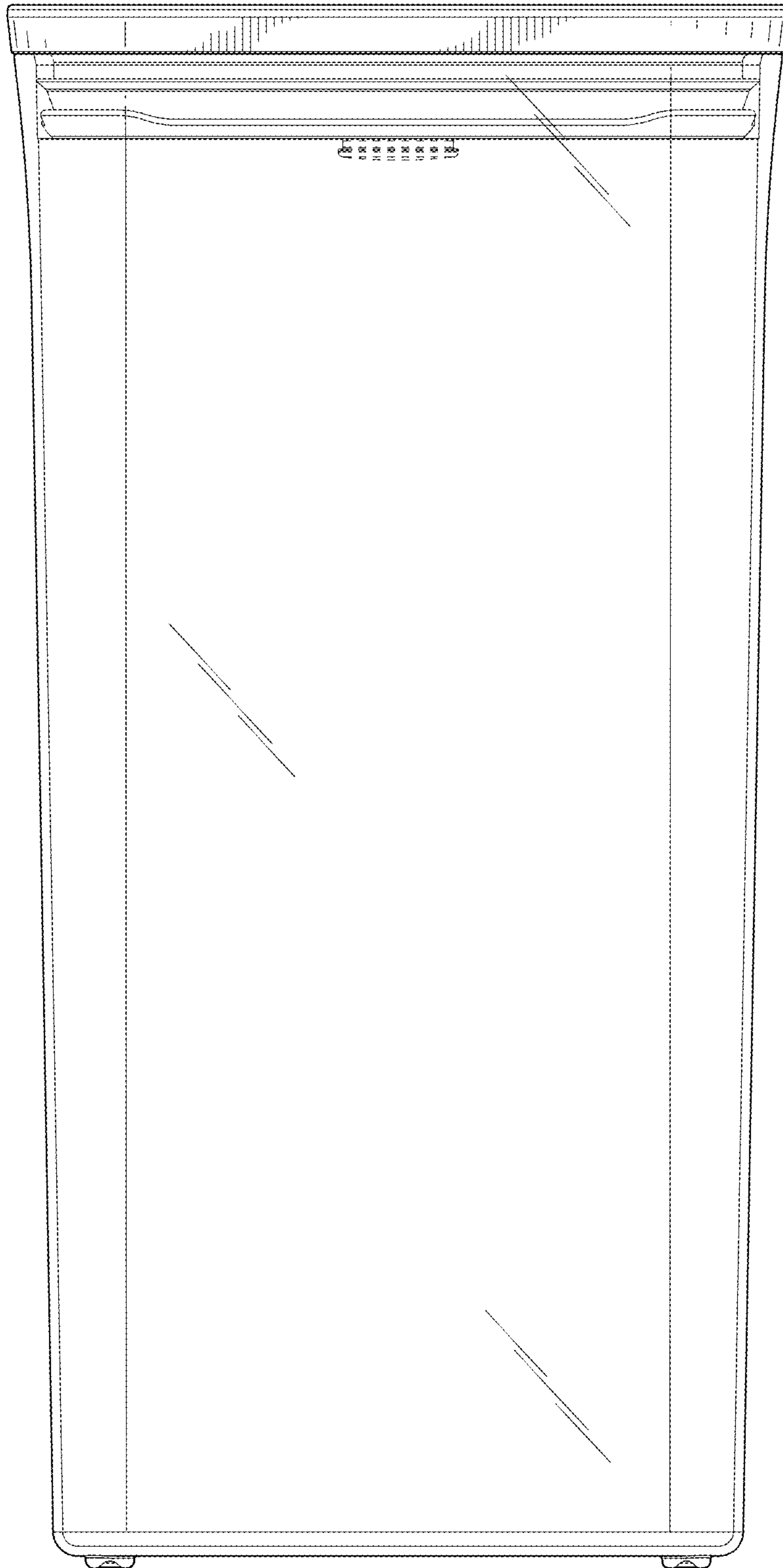


FIG. 26



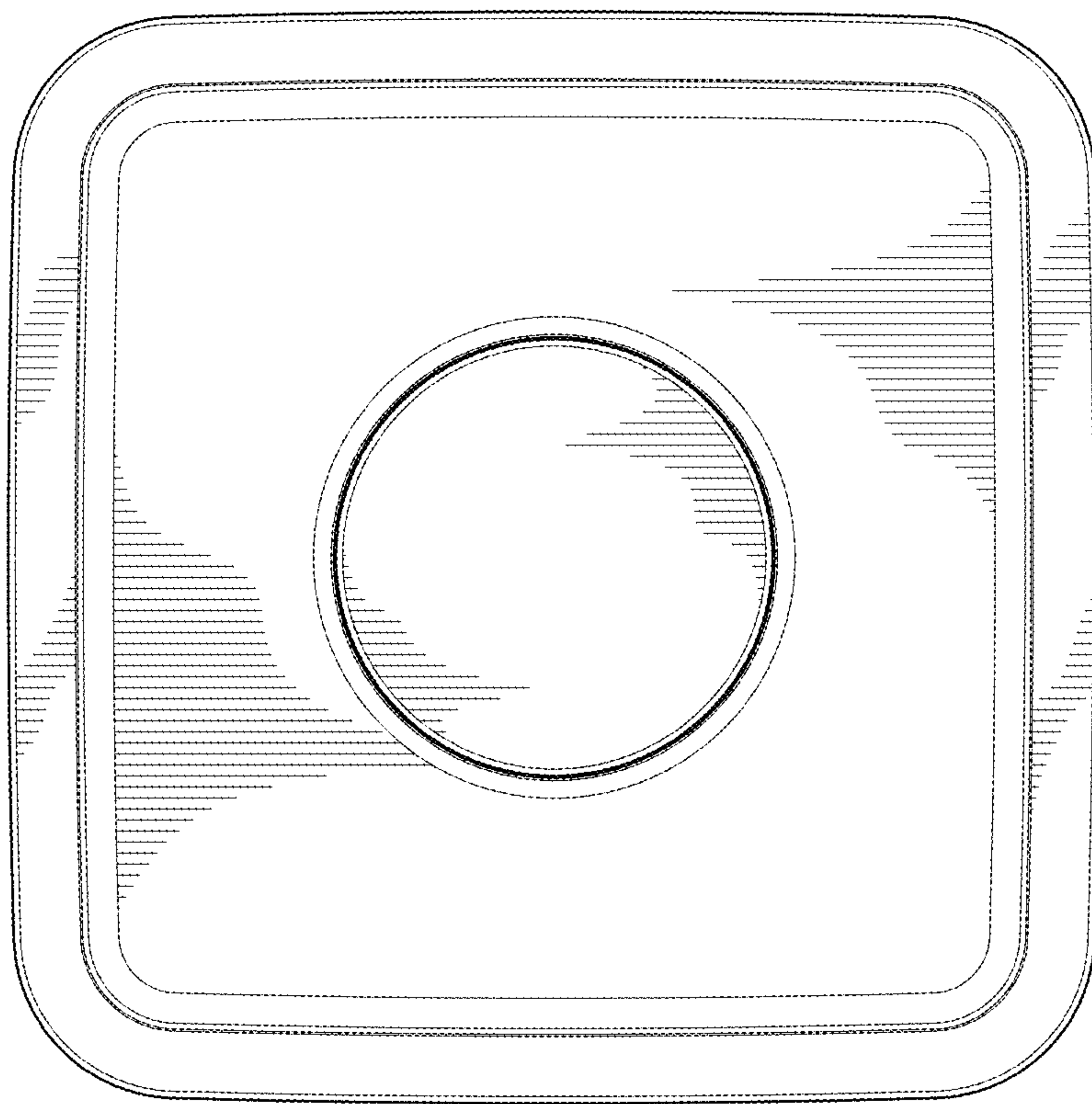


FIG. 27

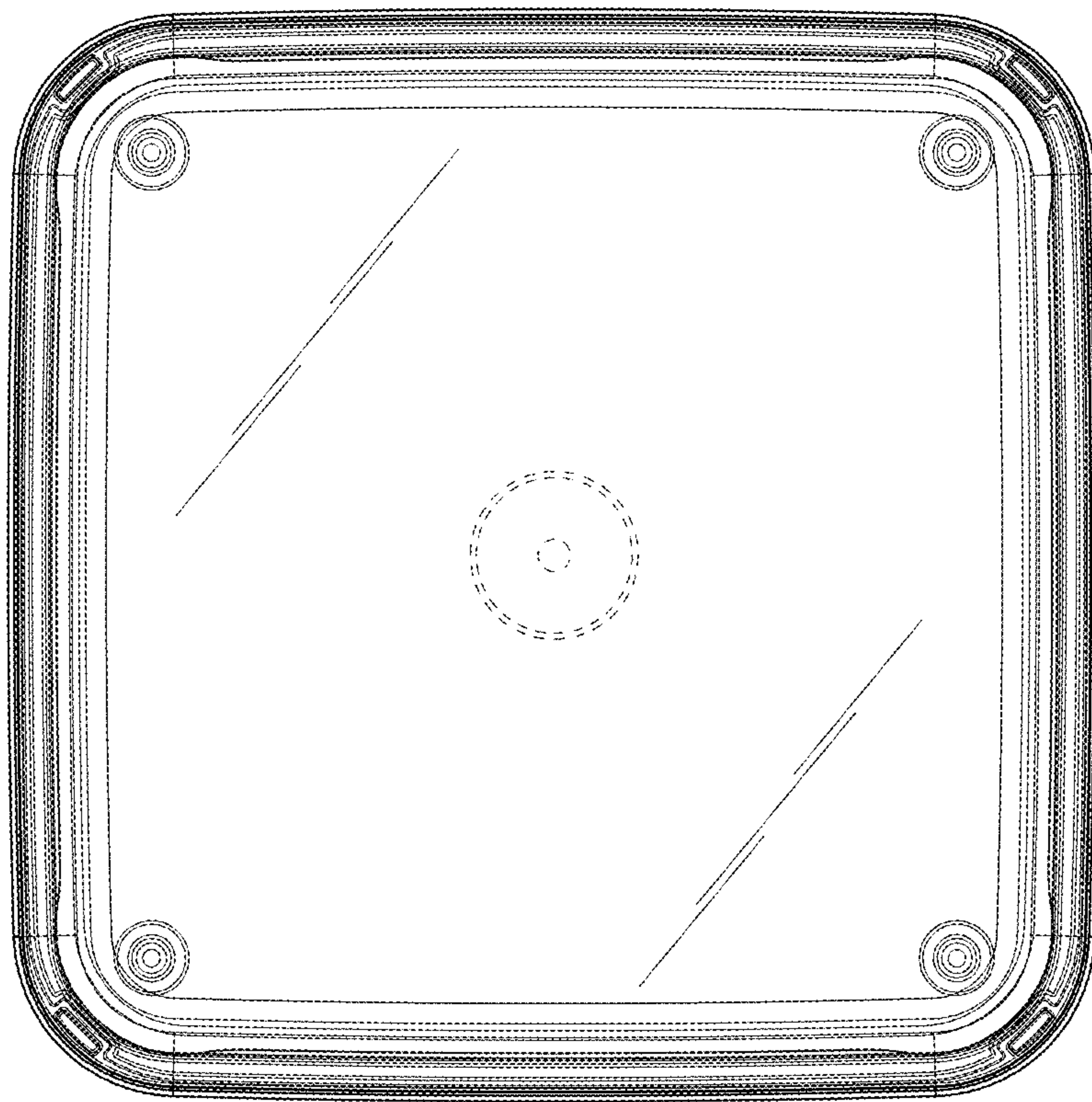


FIG. 28

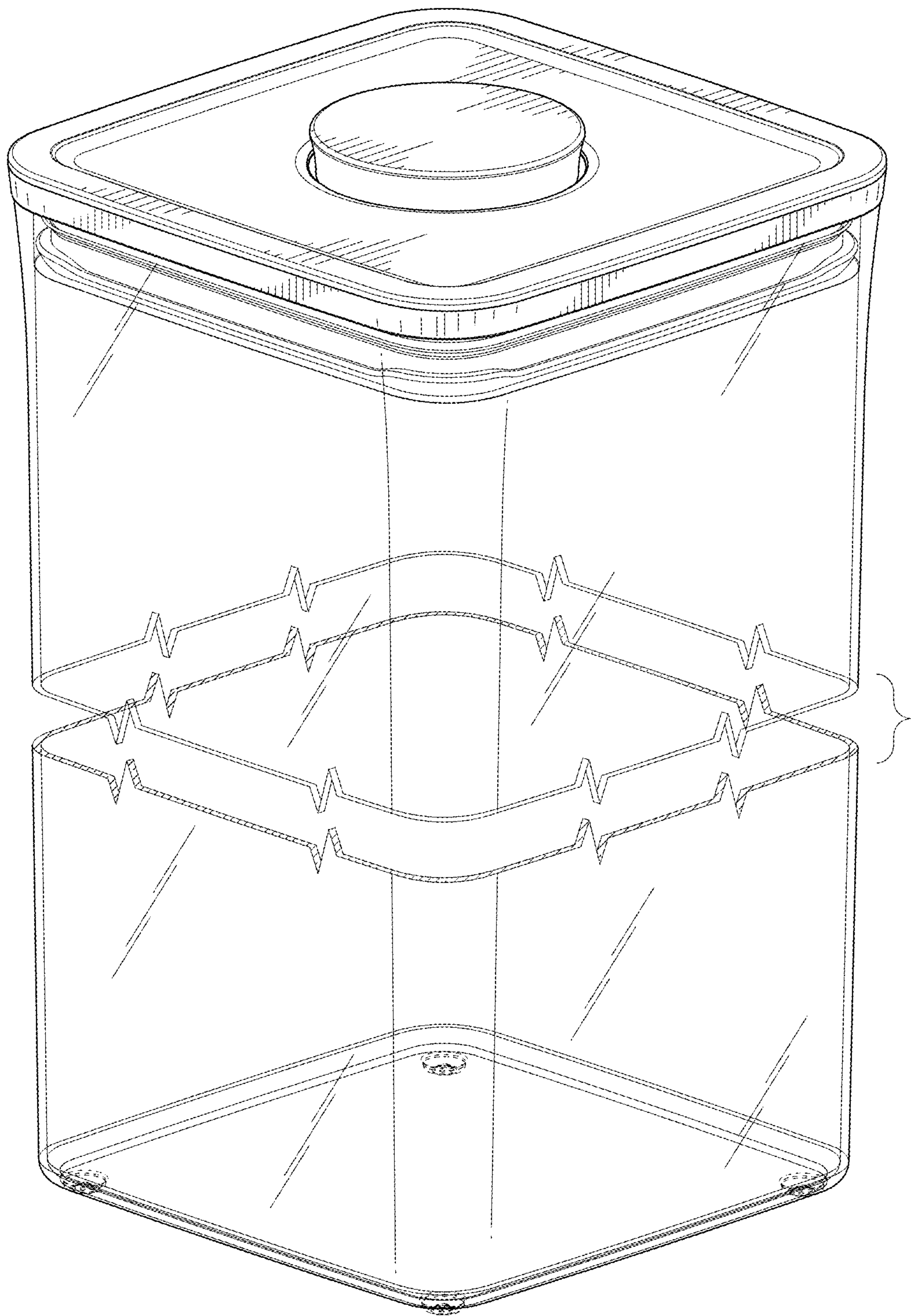


FIG. 29



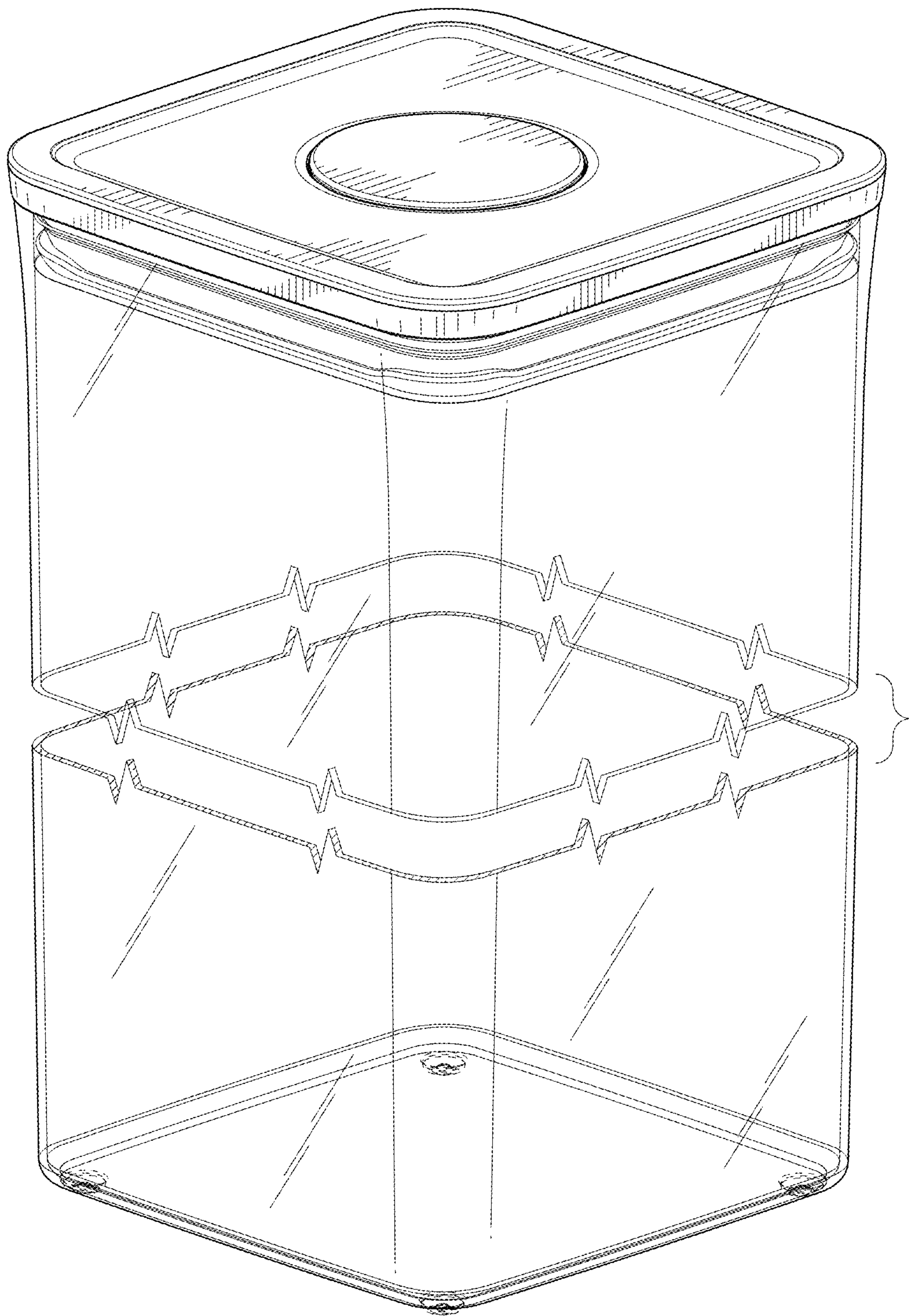


FIG. 30

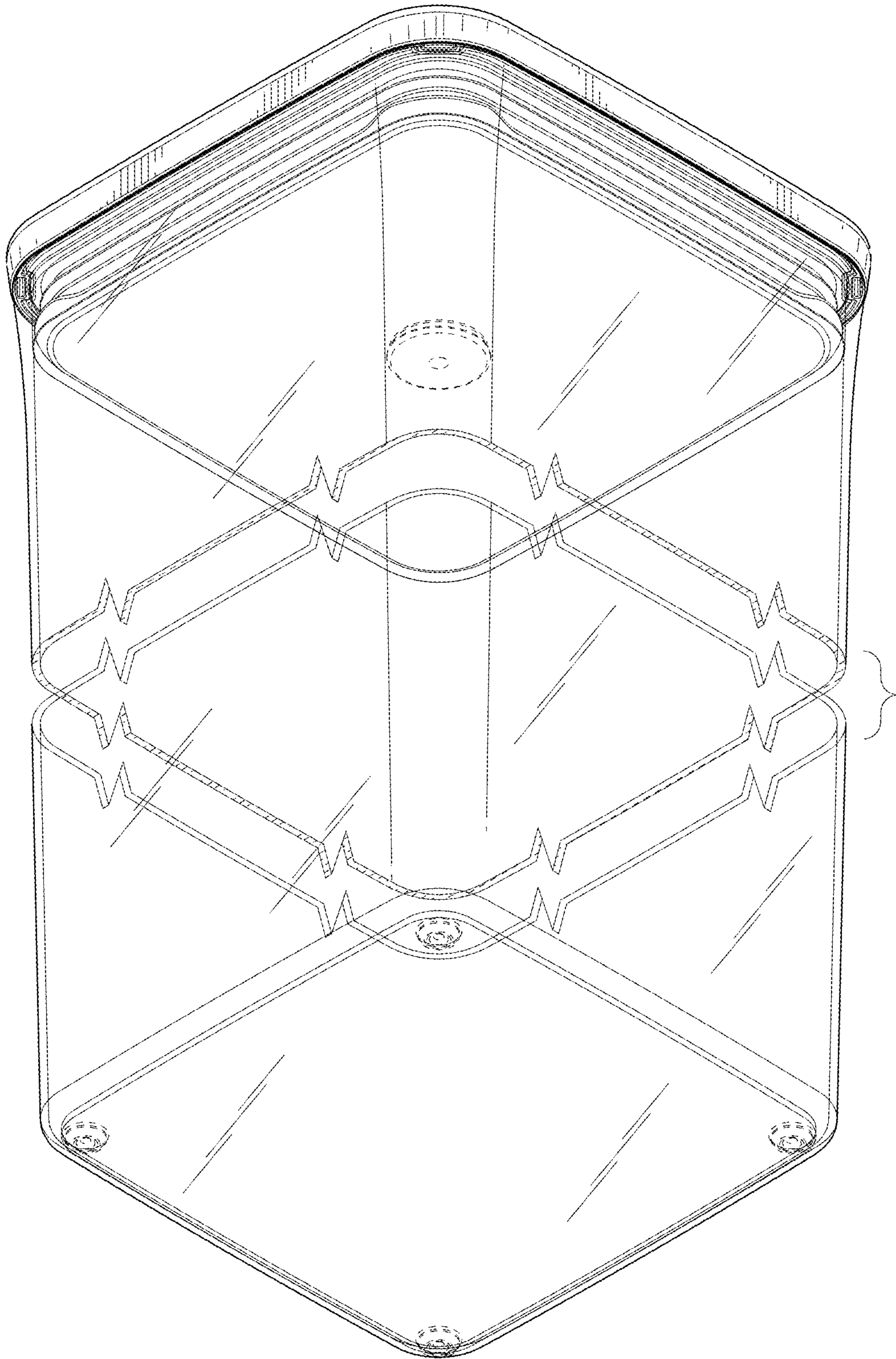


FIG. 31

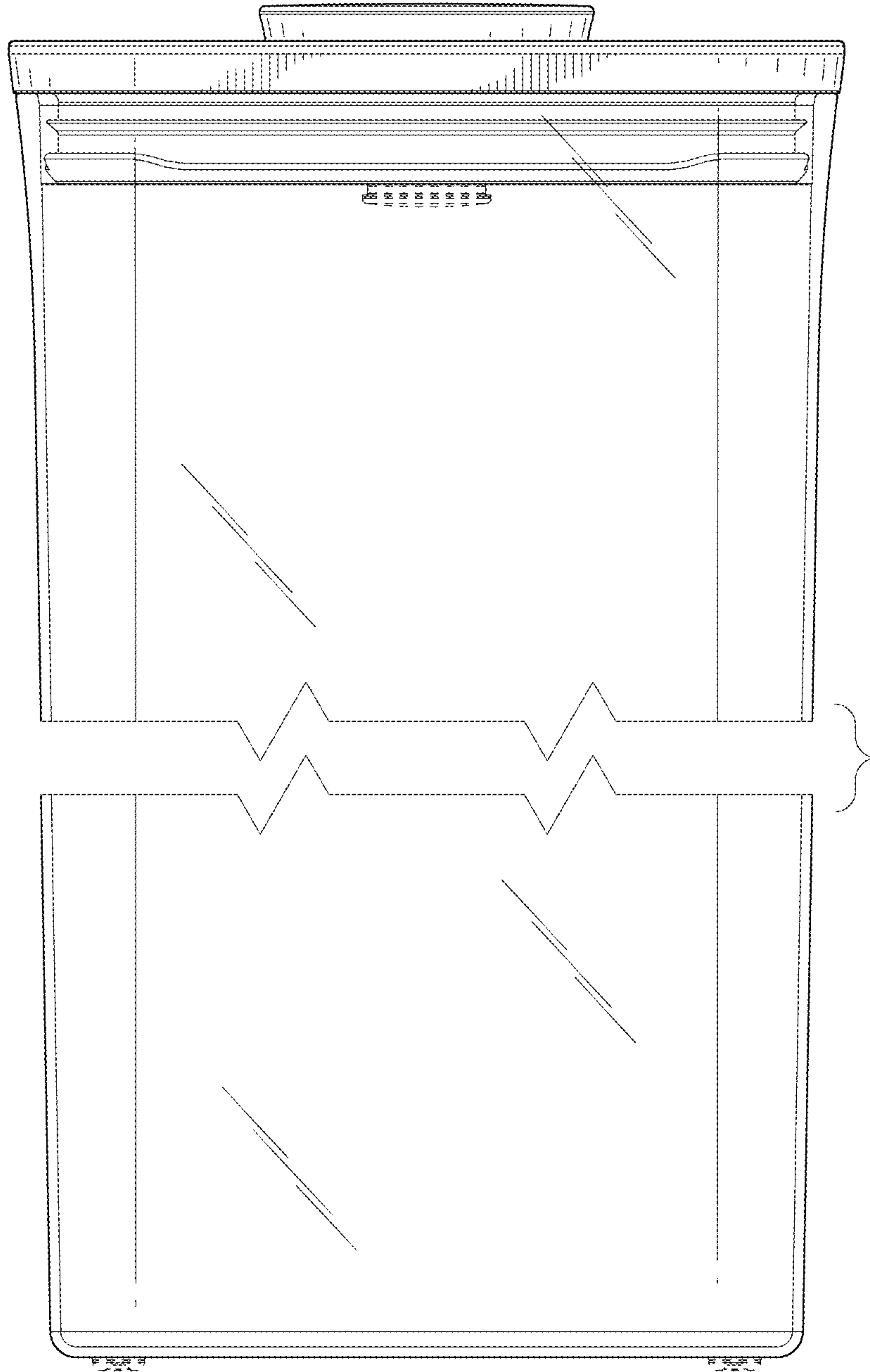


FIG. 32



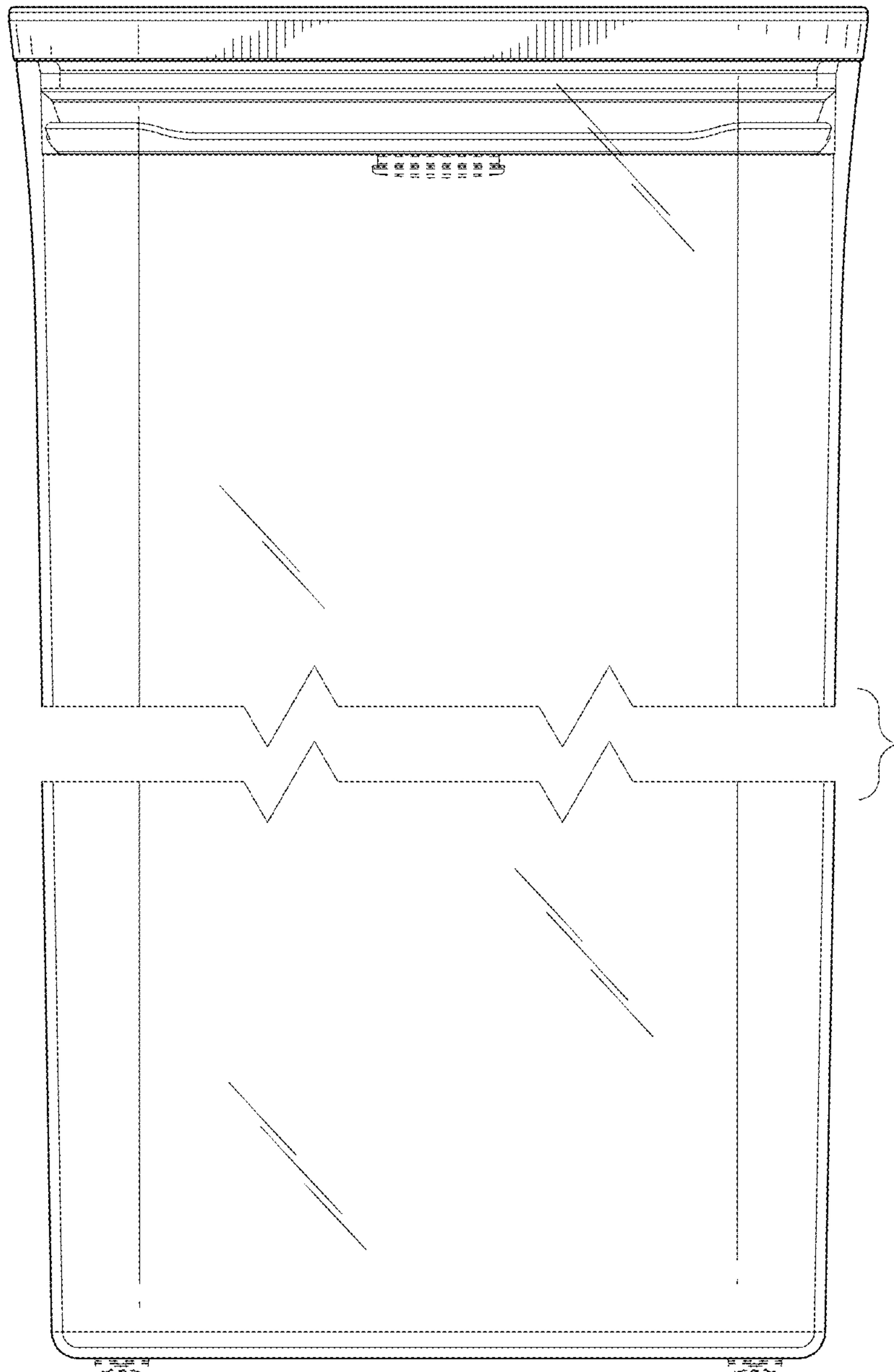


FIG. 33

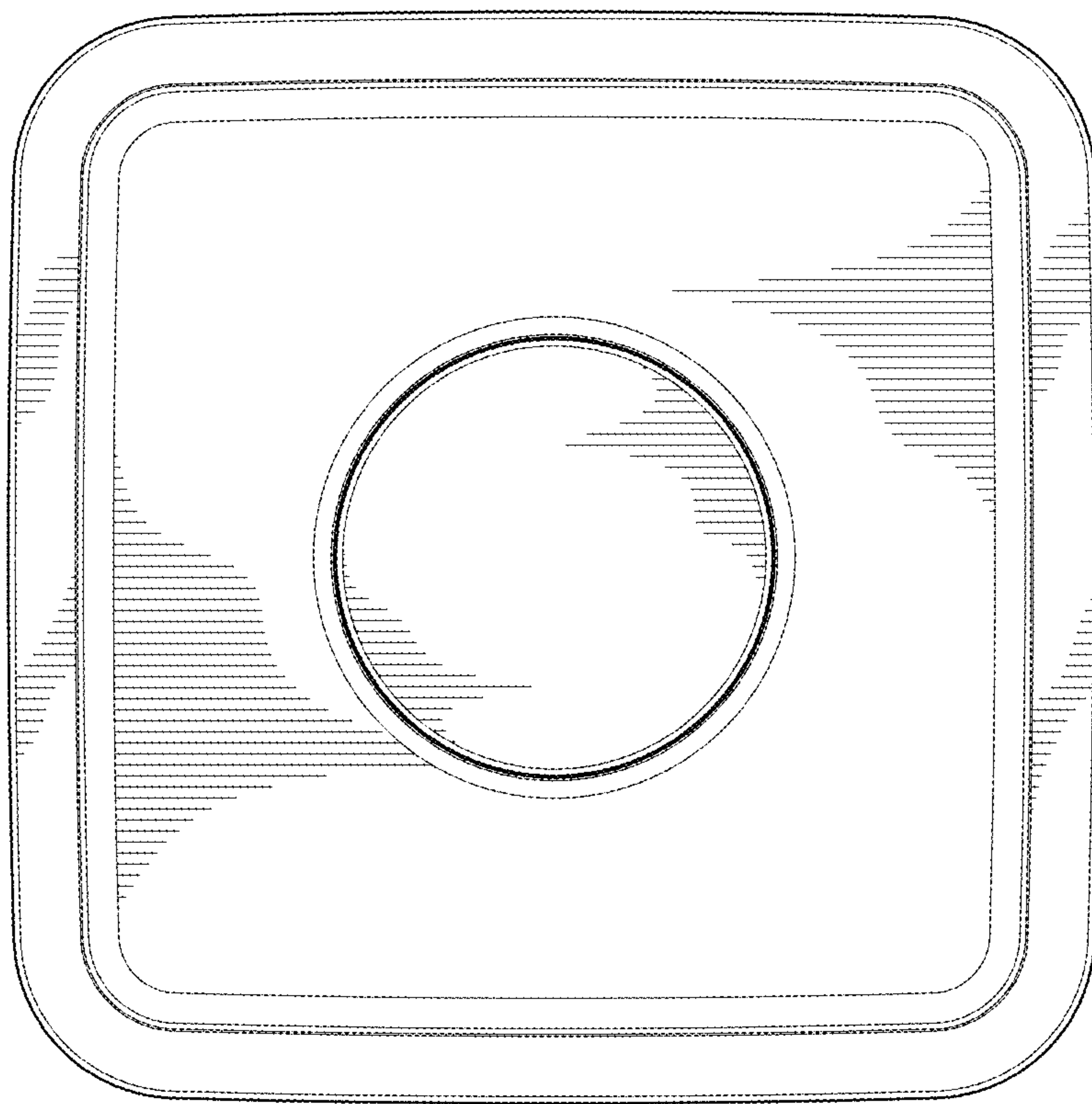


FIG. 34

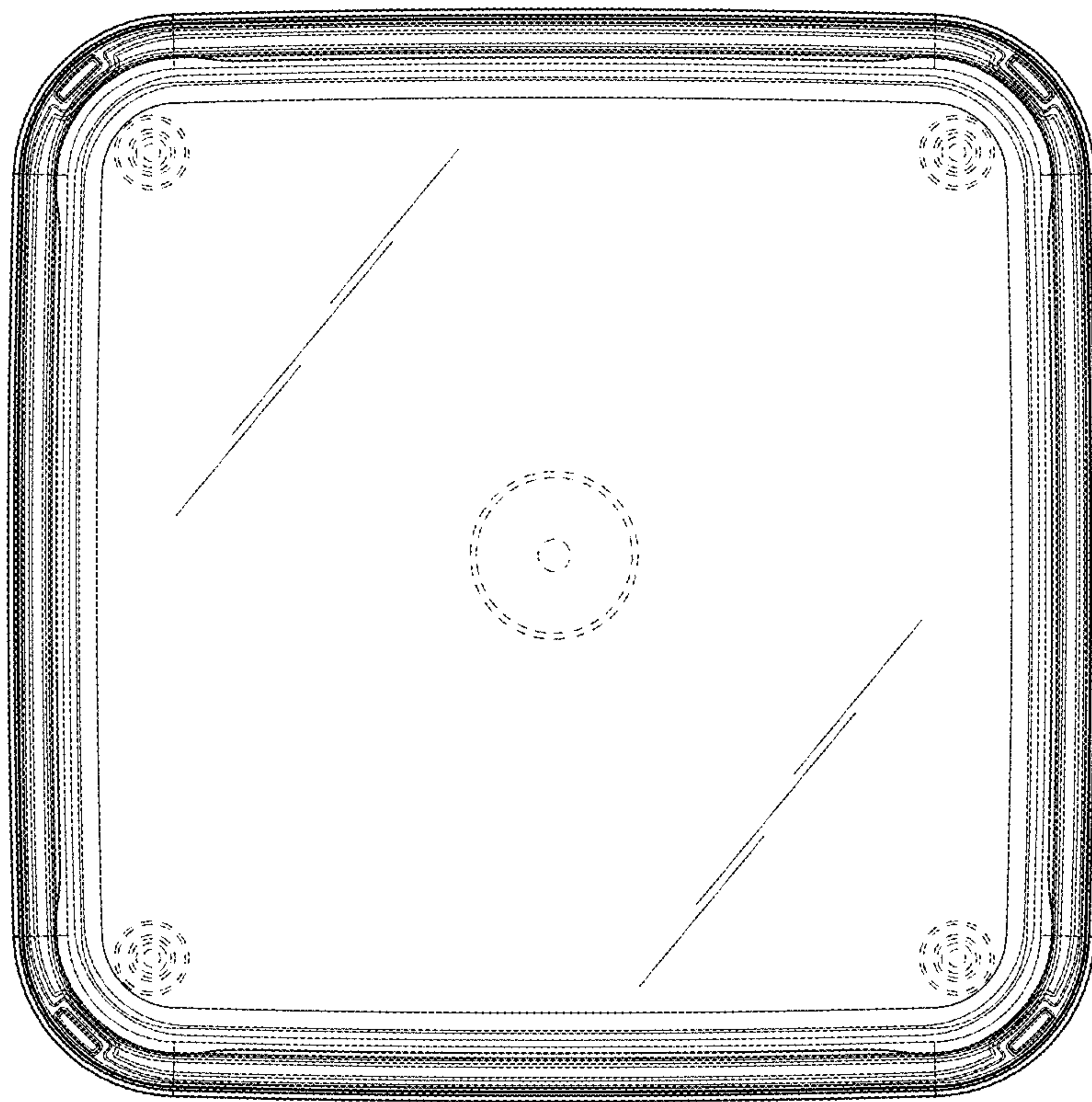


FIG. 35



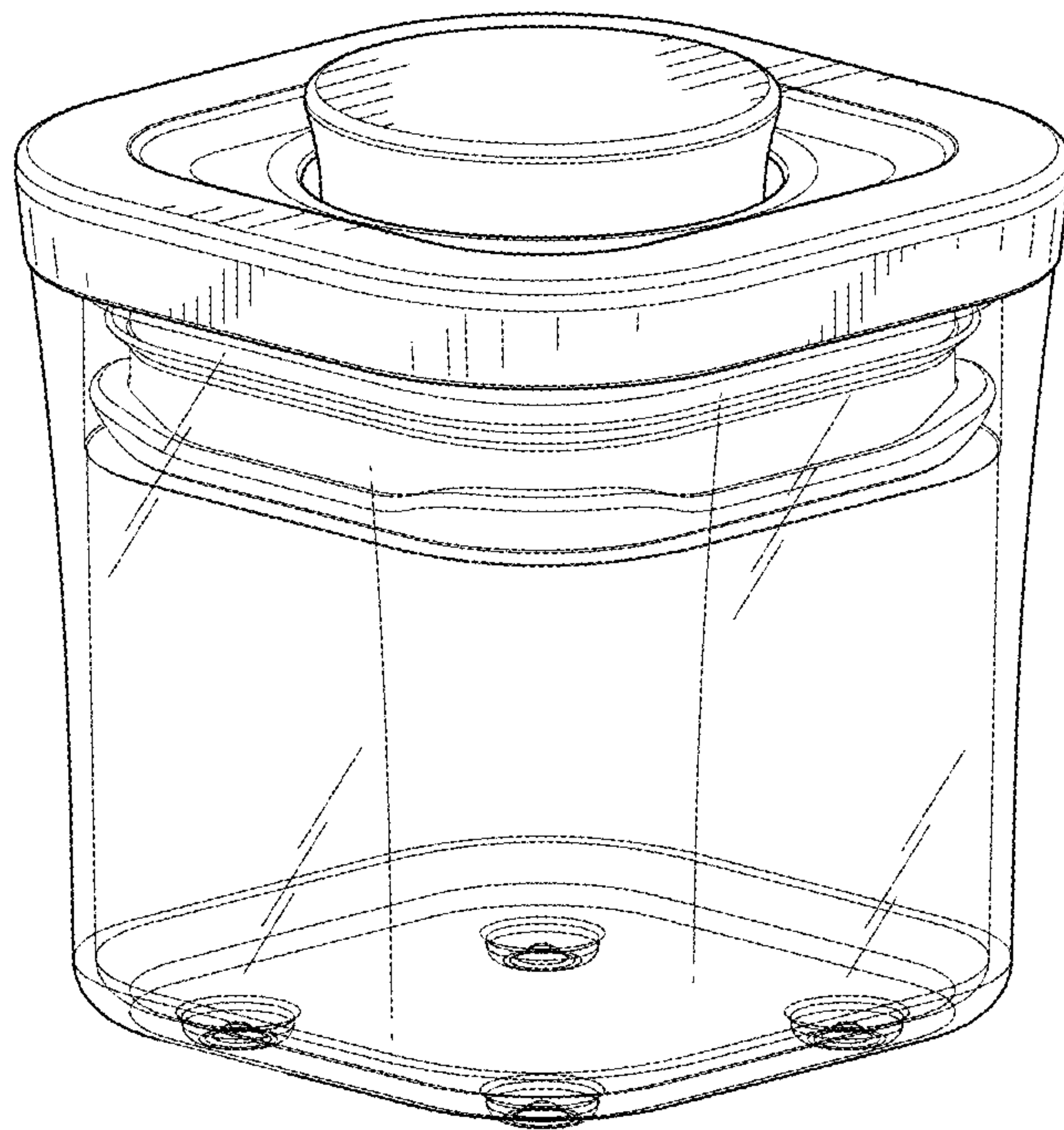


FIG. 36

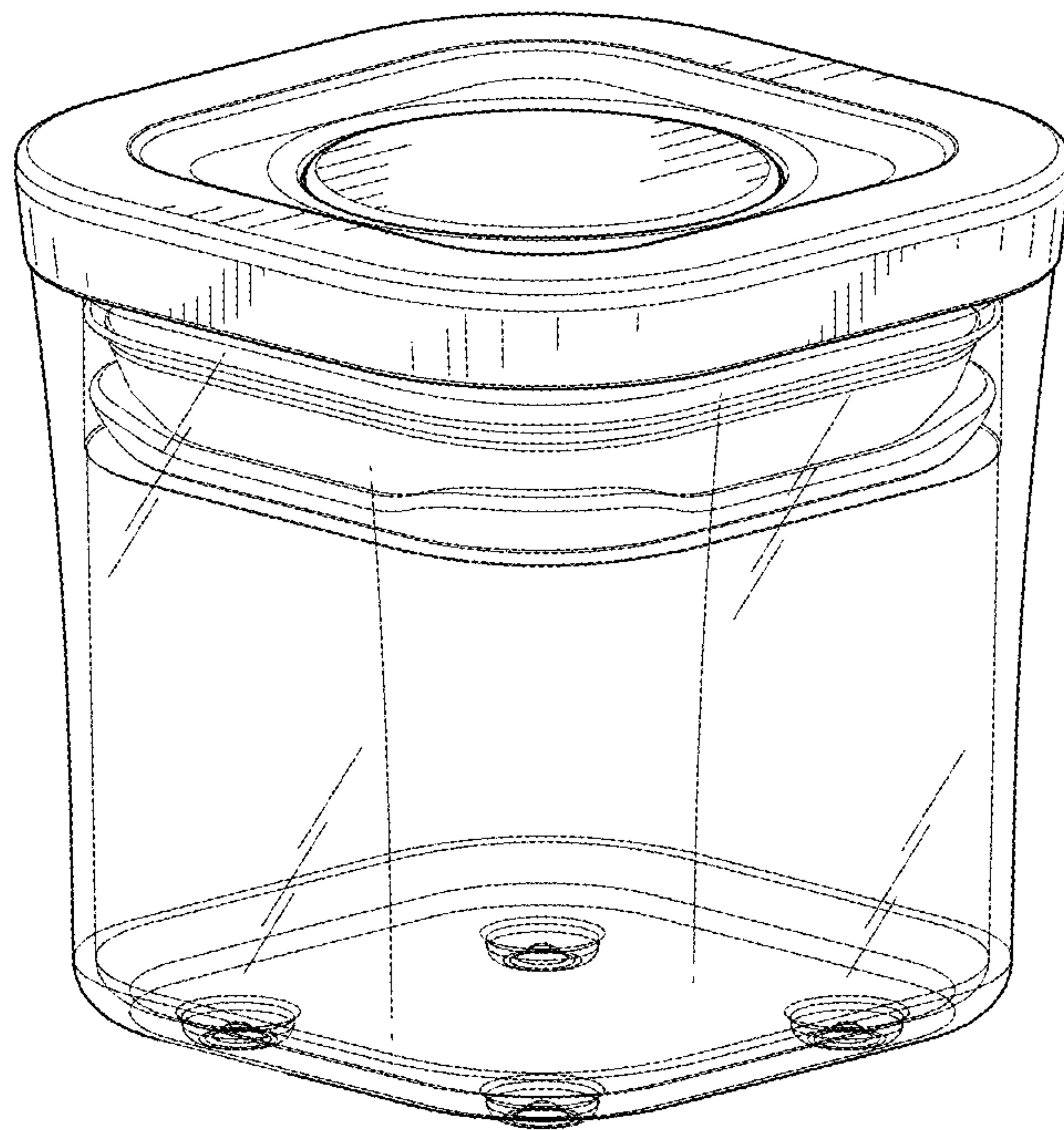


FIG.37

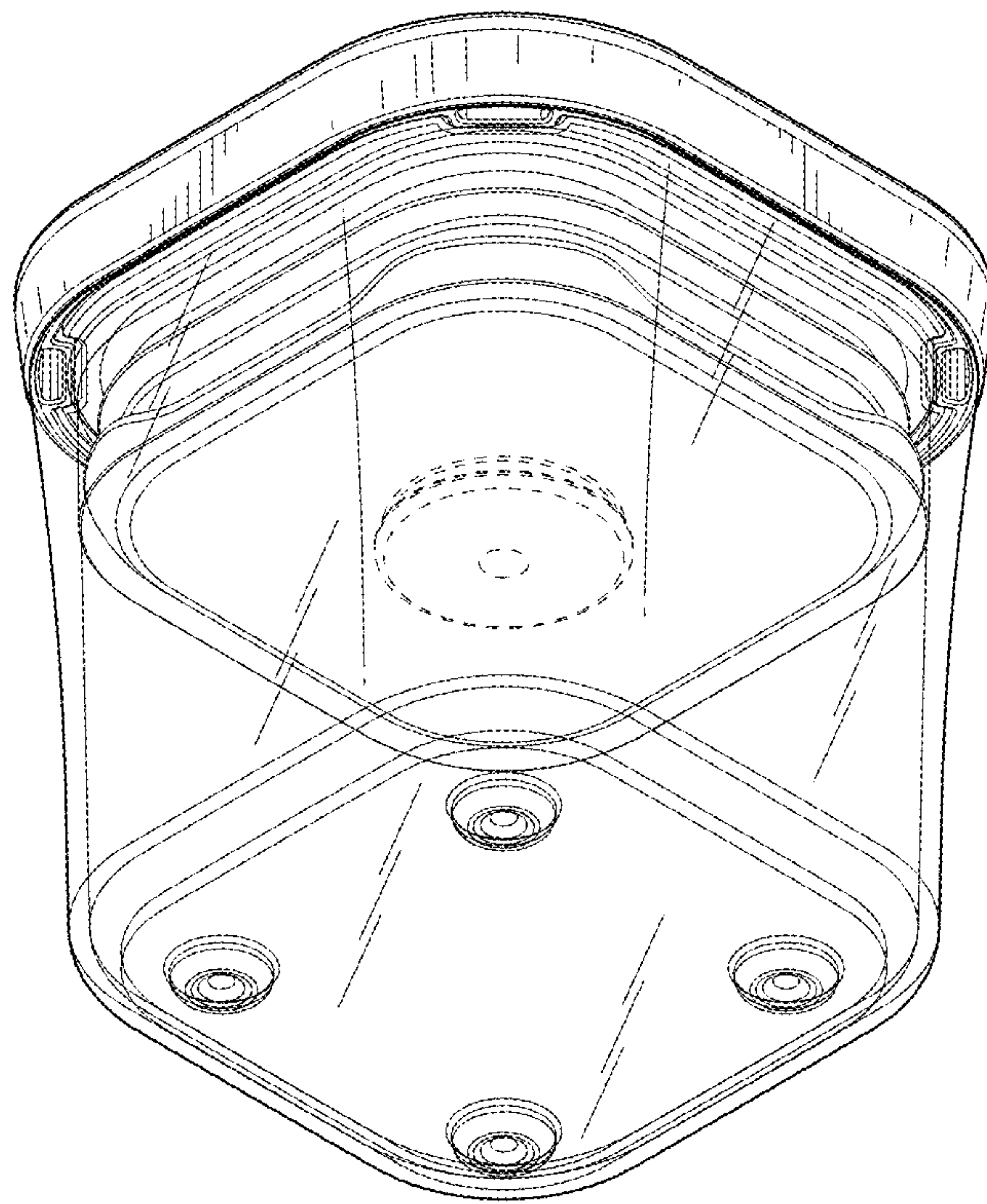


FIG. 38



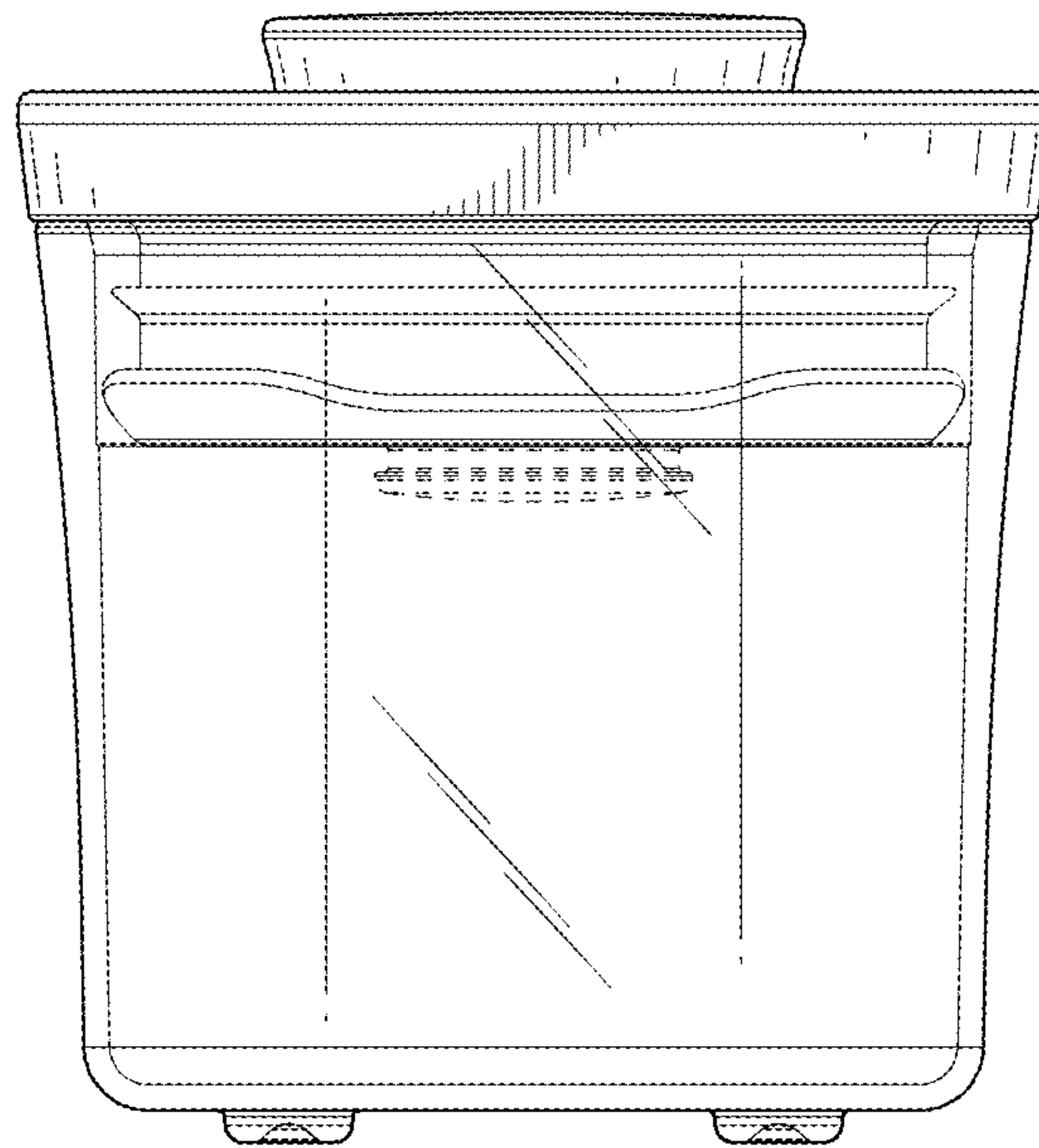


FIG. 39

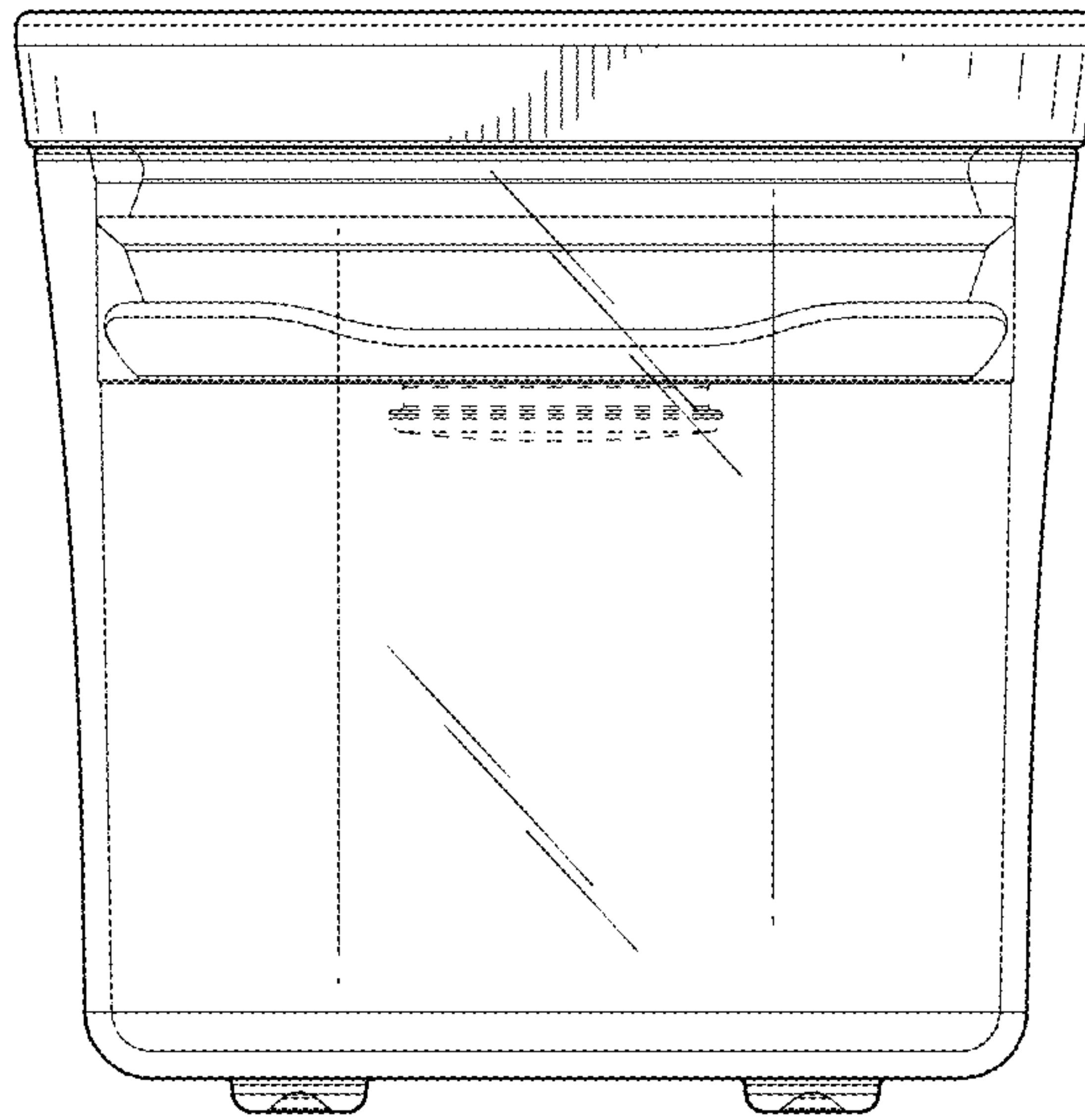


FIG. 40

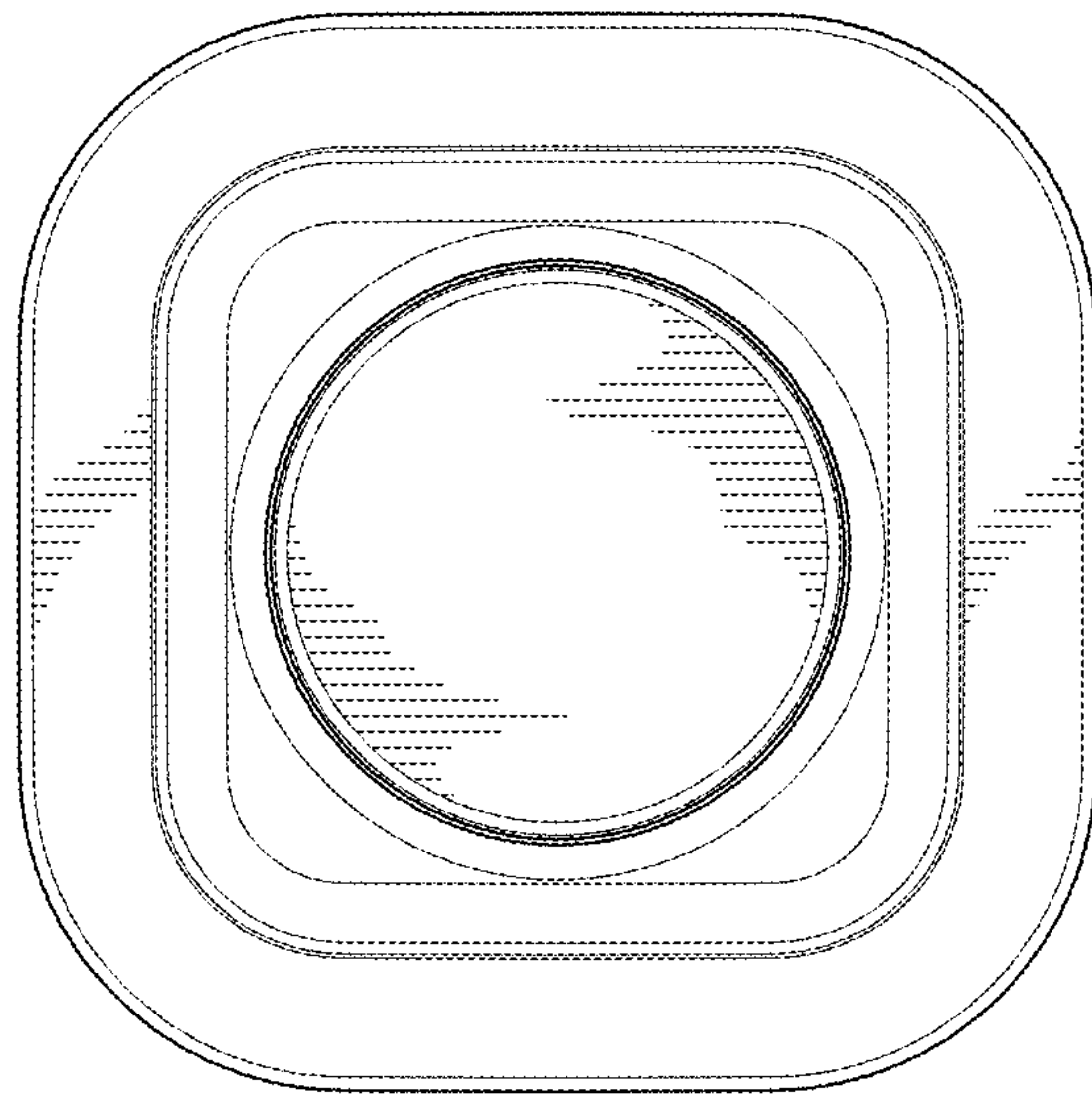


FIG. 41

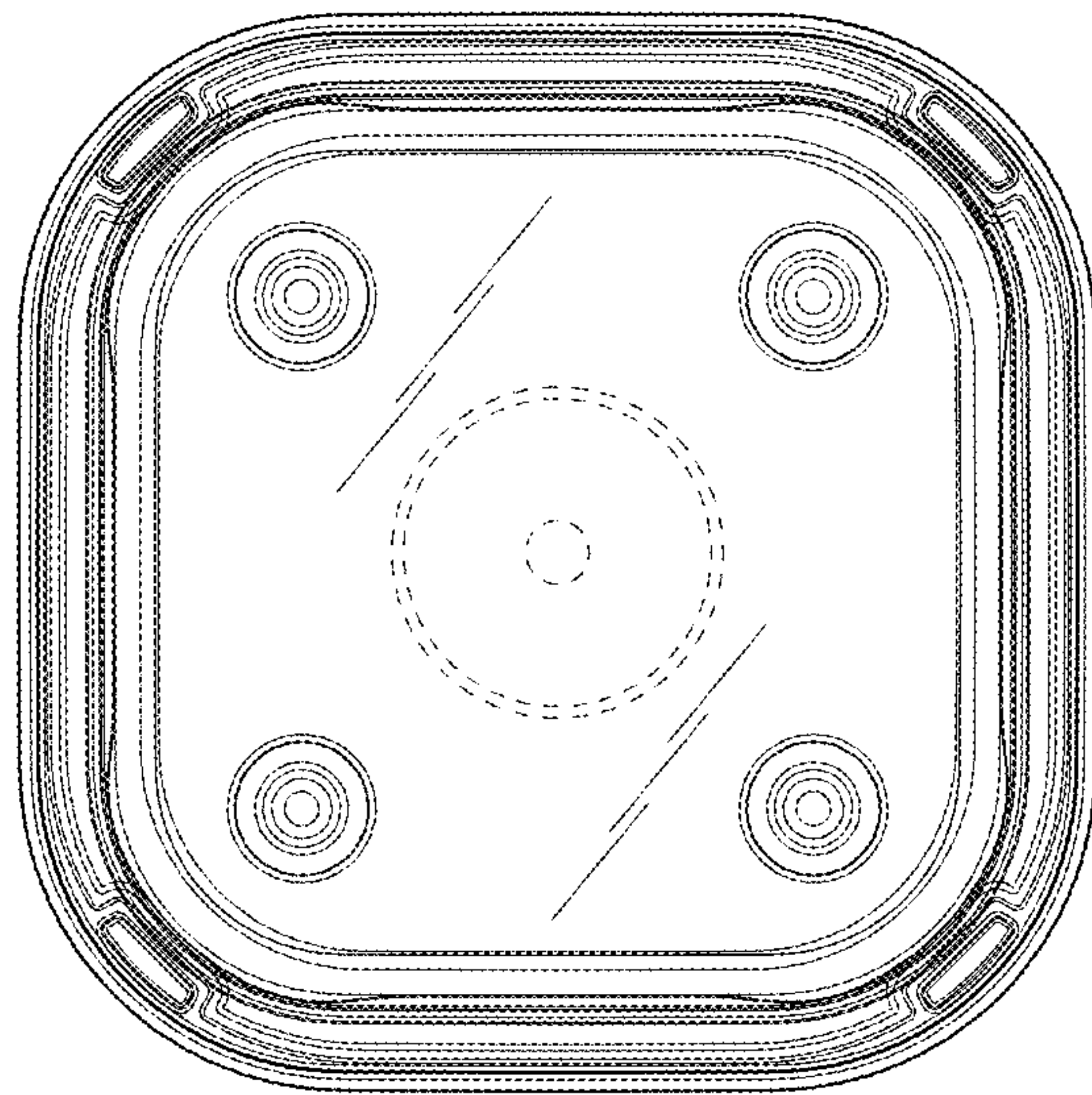


FIG.42



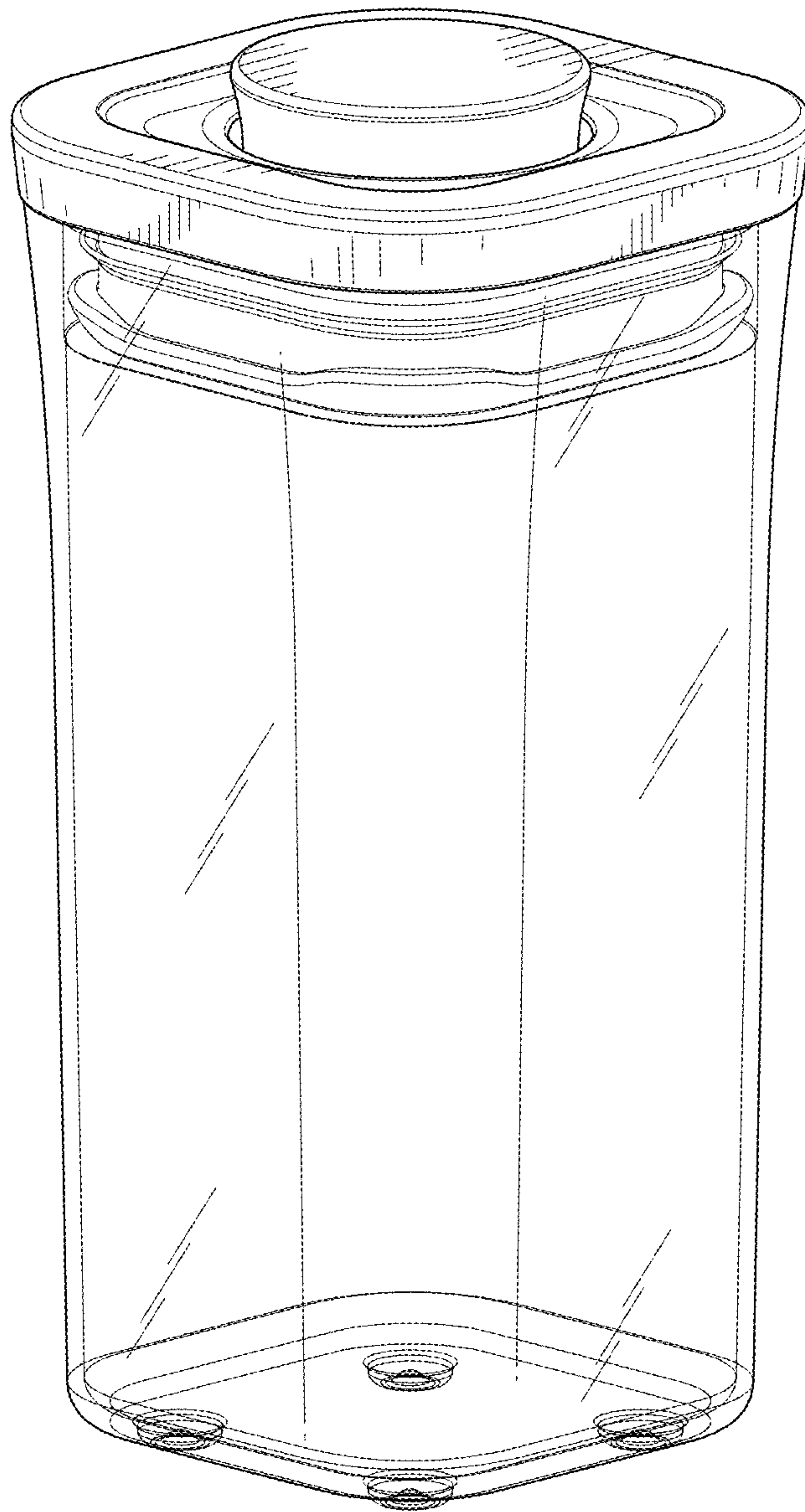


FIG.43

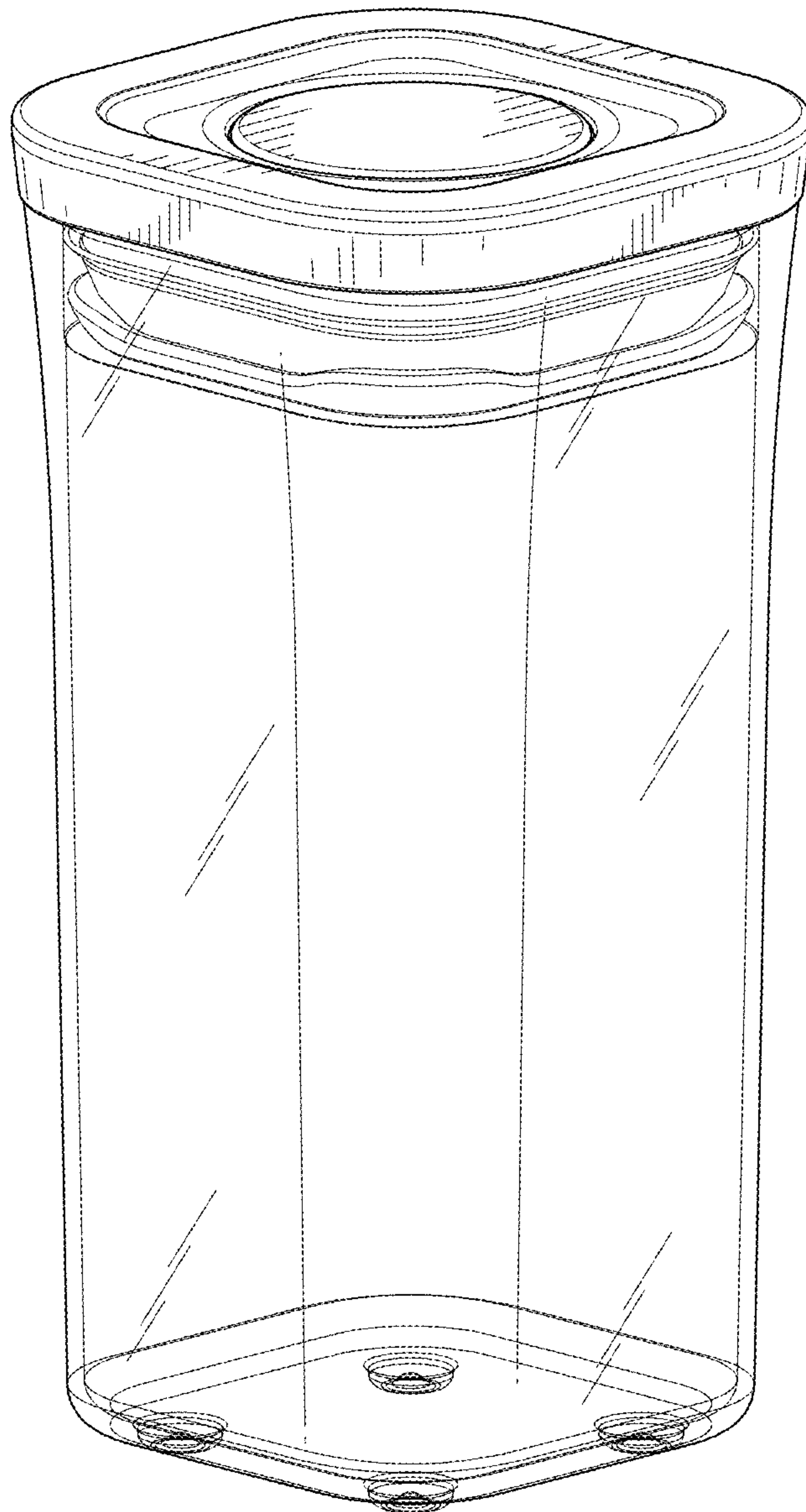


FIG. 44

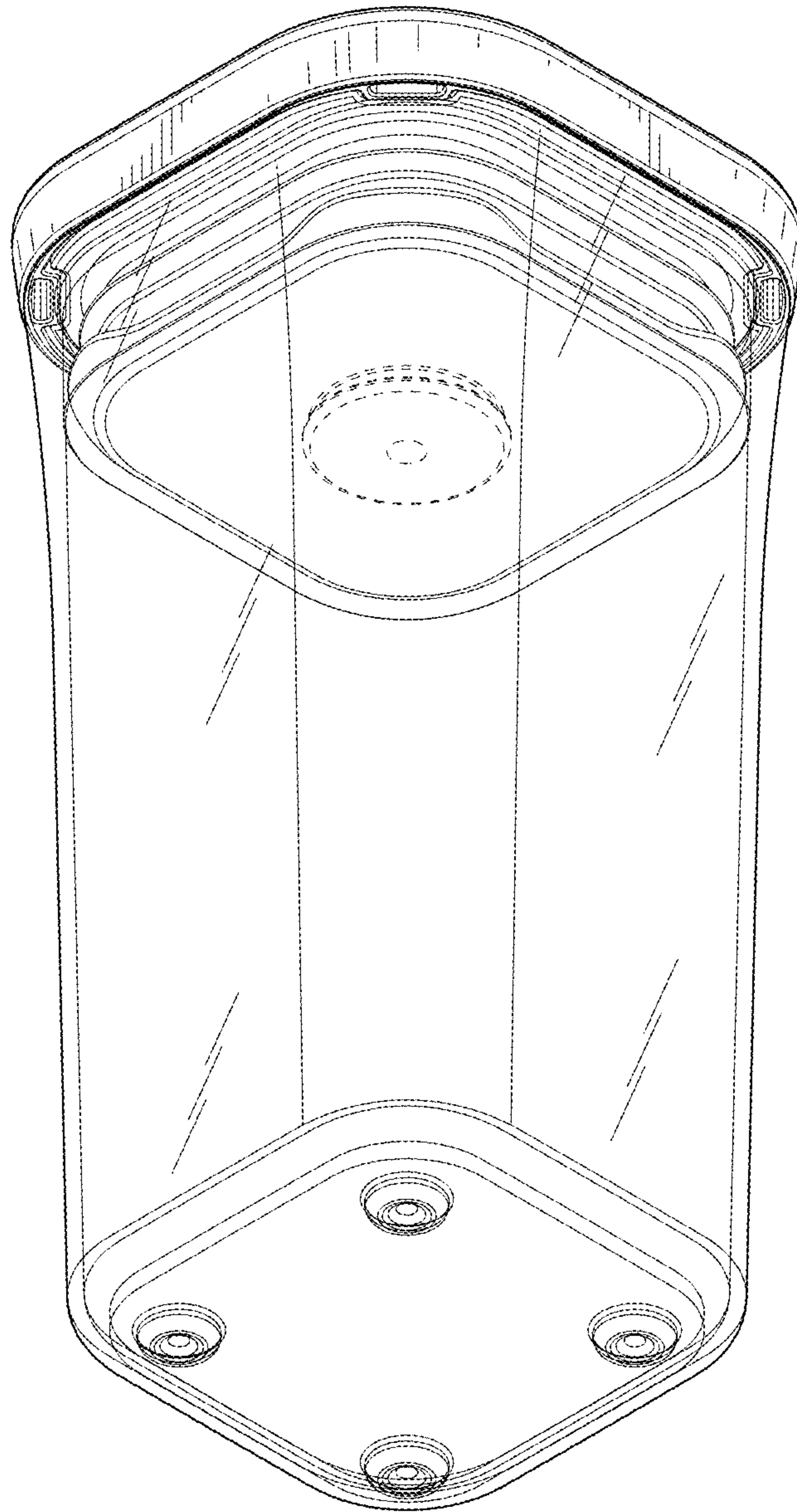


FIG.45

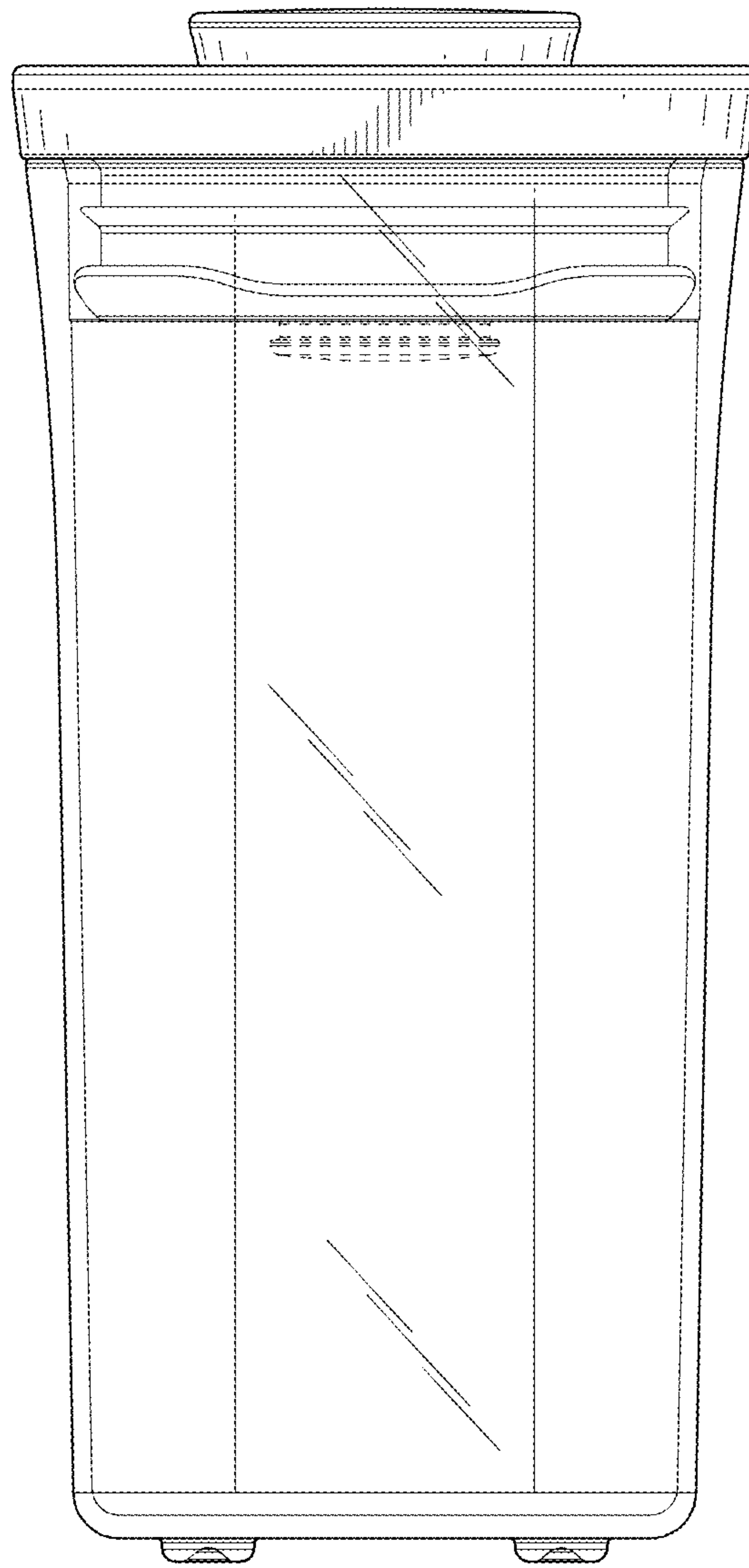


FIG.46



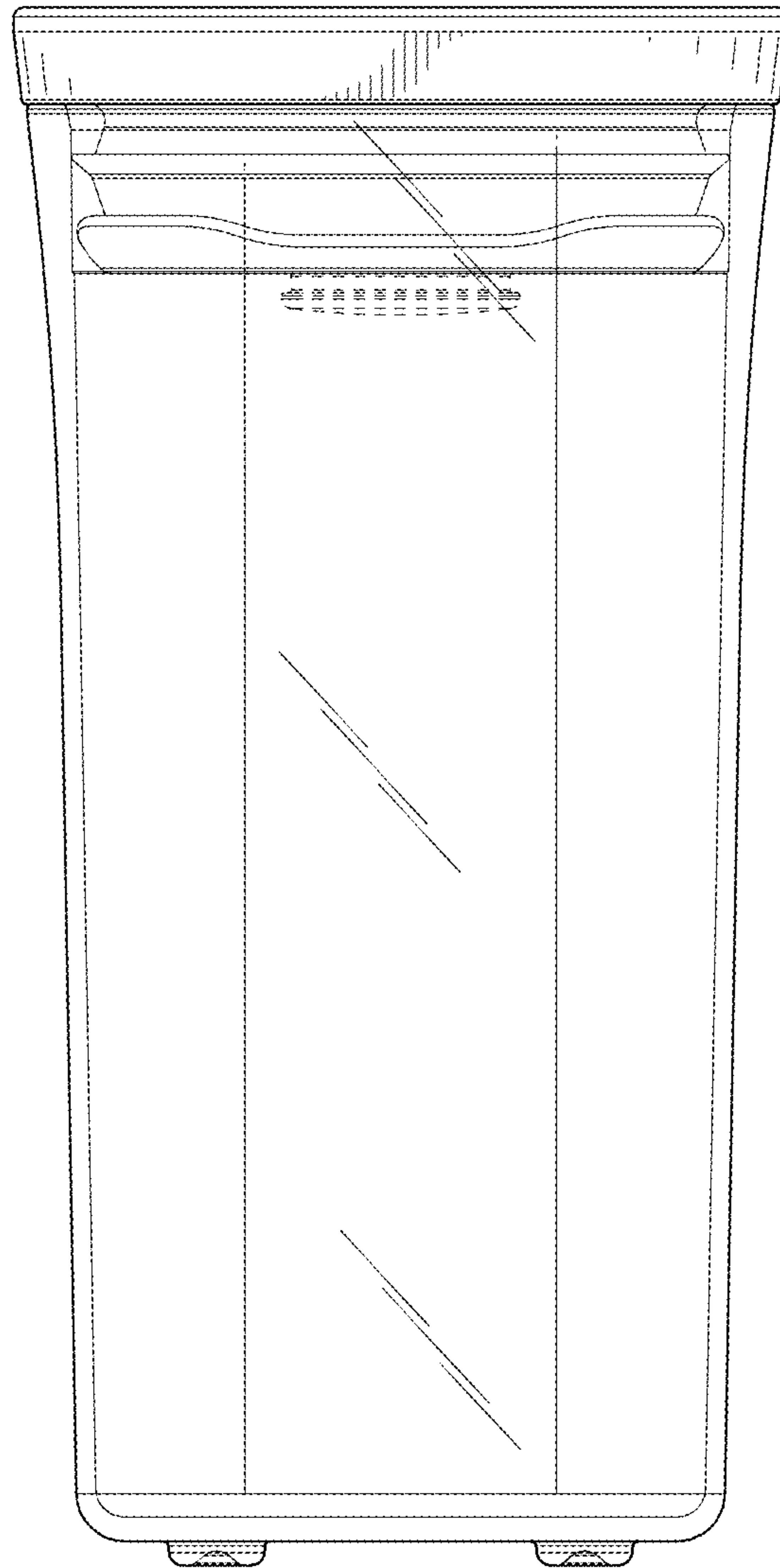


FIG.47

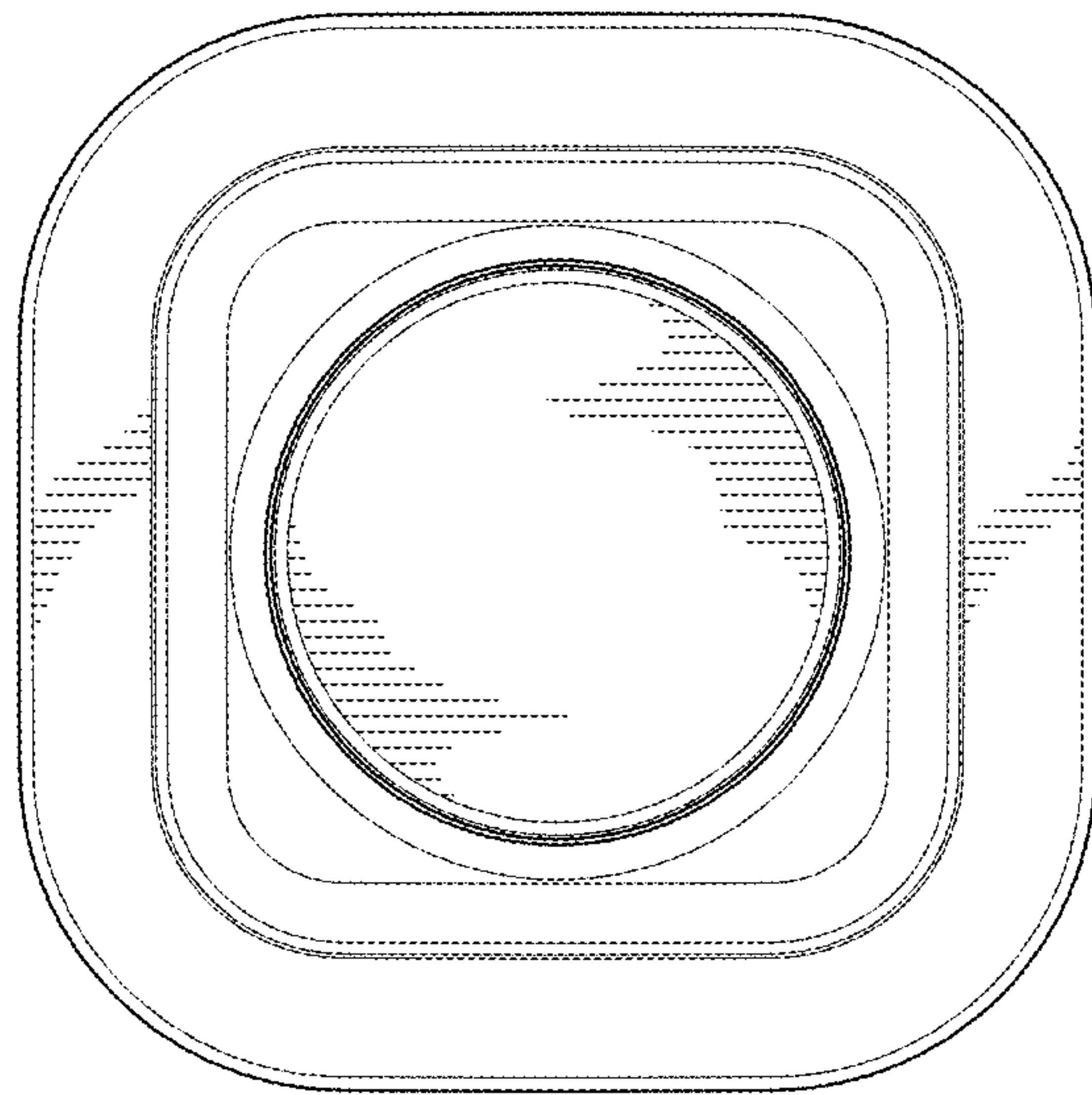


FIG. 48

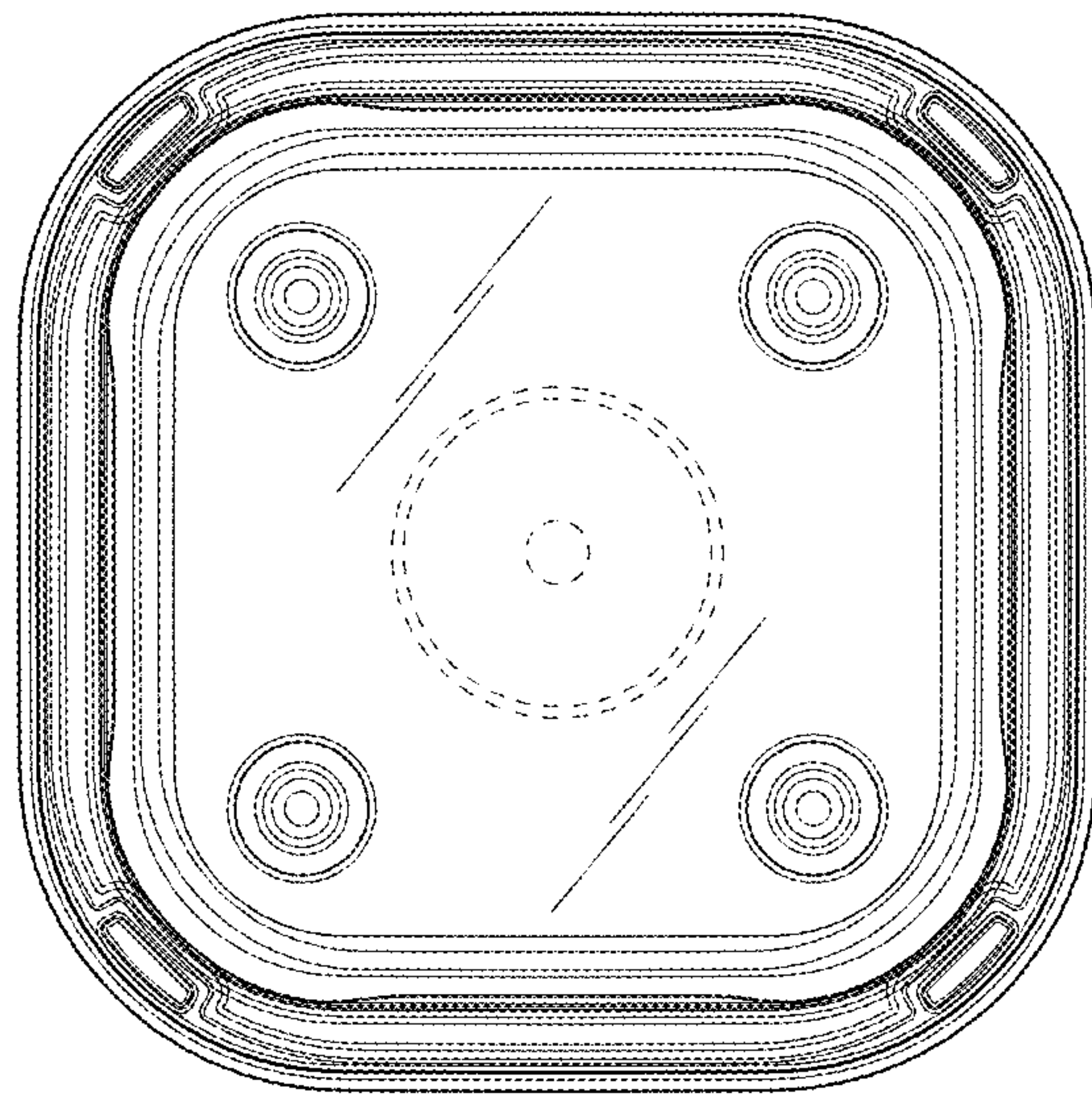


FIG. 49

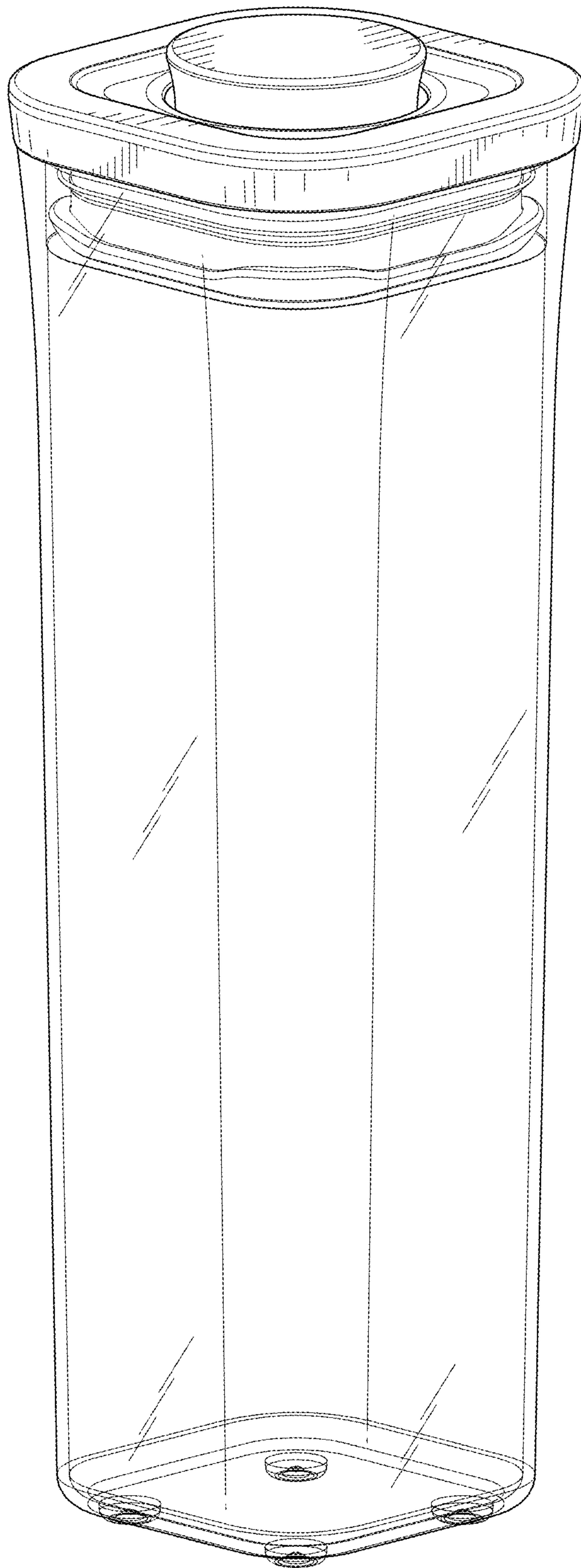


FIG. 50



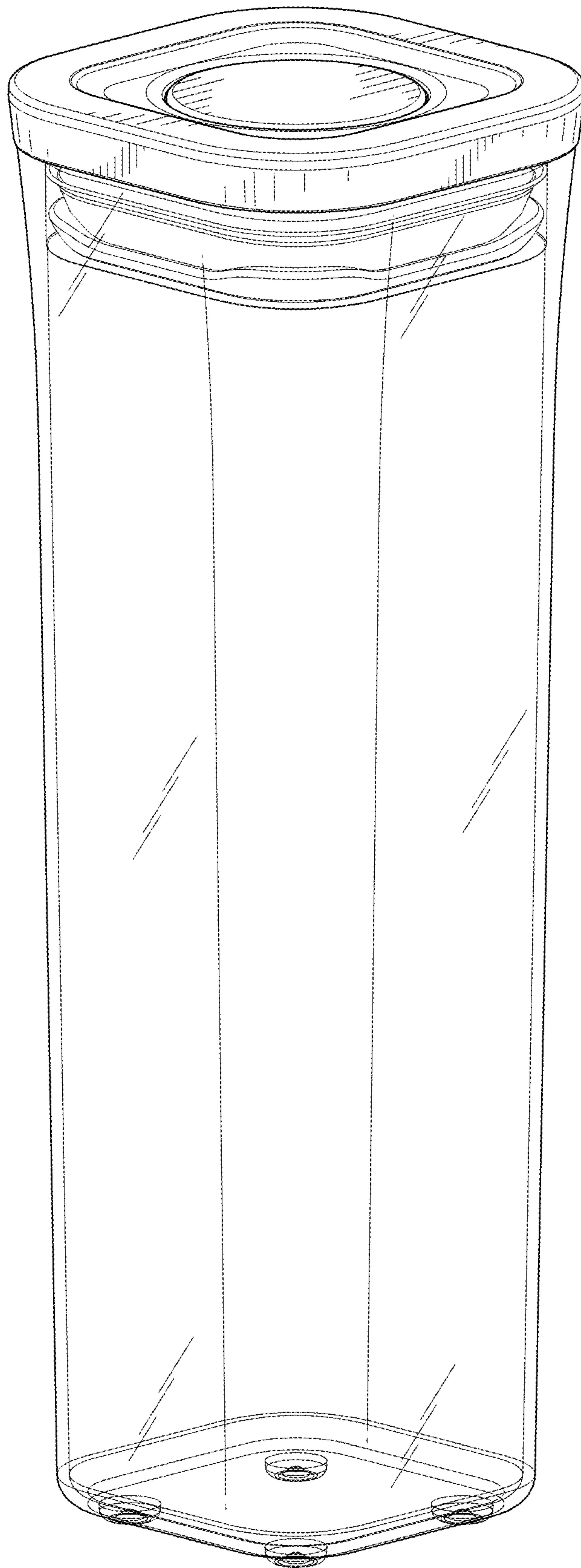


FIG. 51

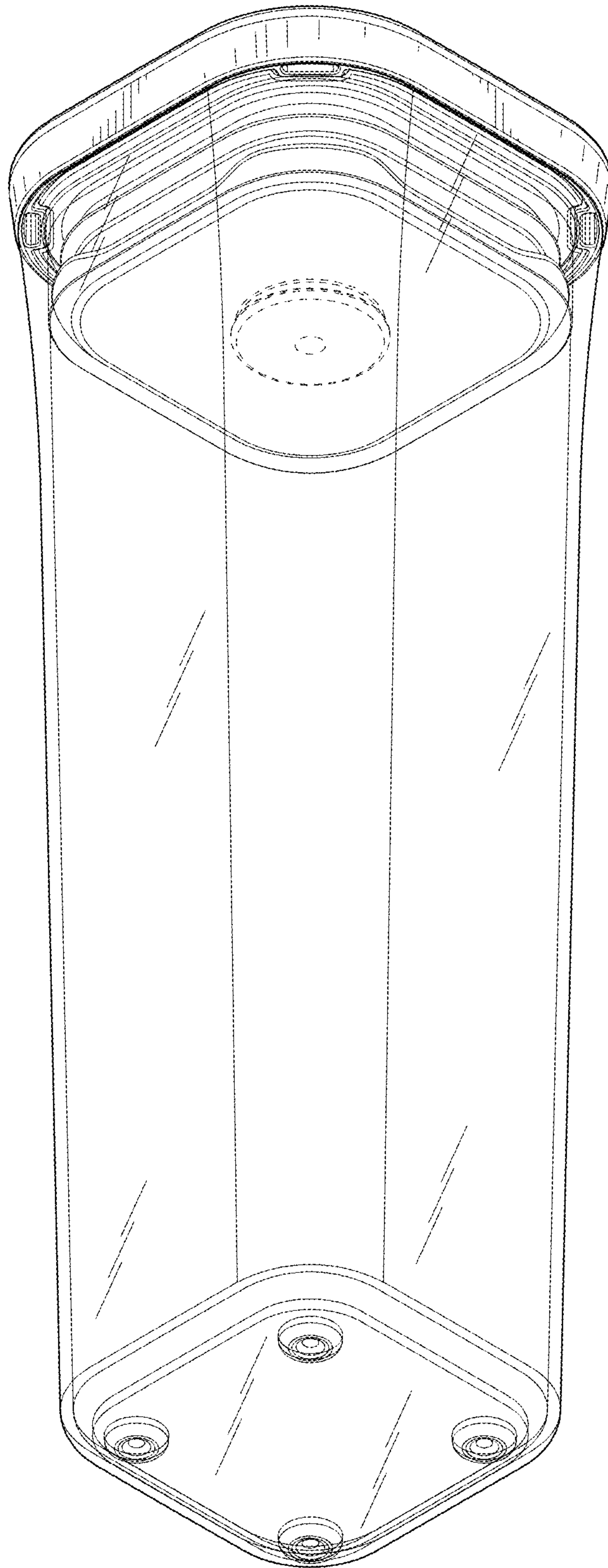


FIG. 52

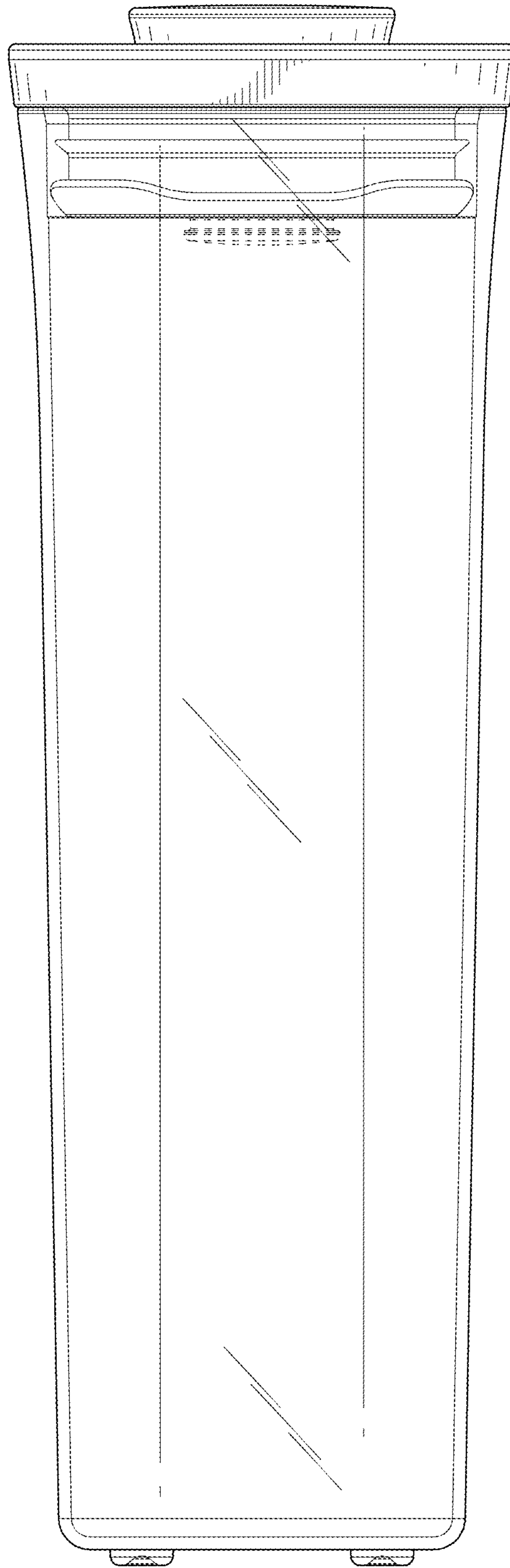


FIG. 53

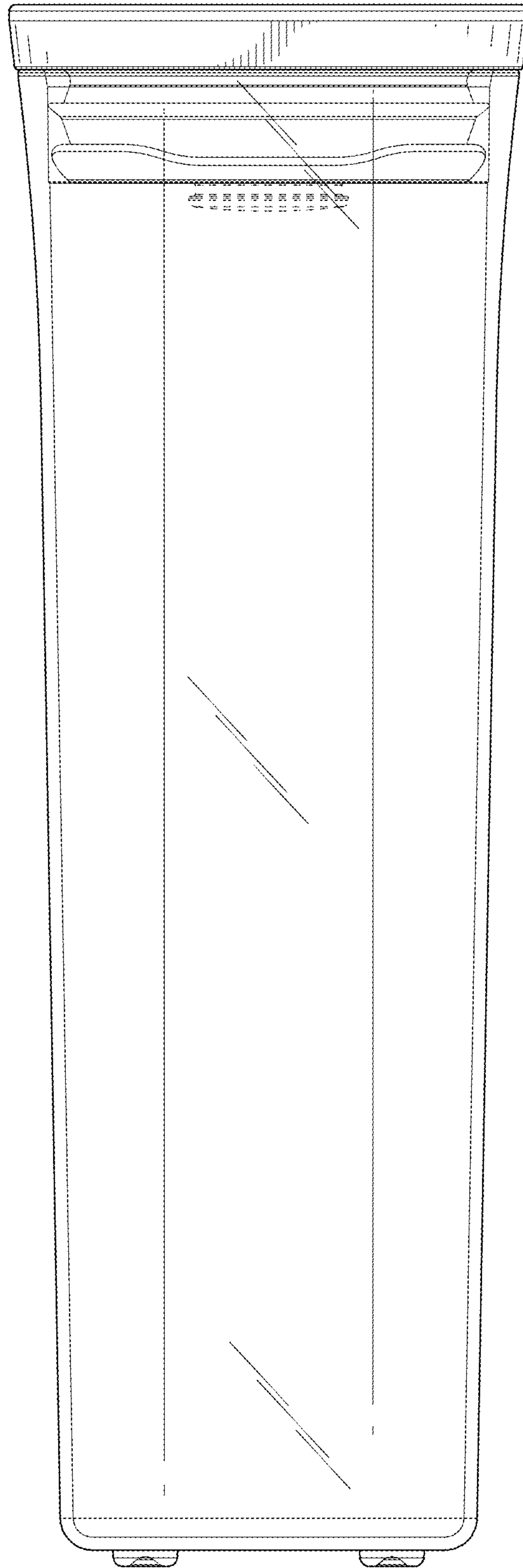


FIG. 54



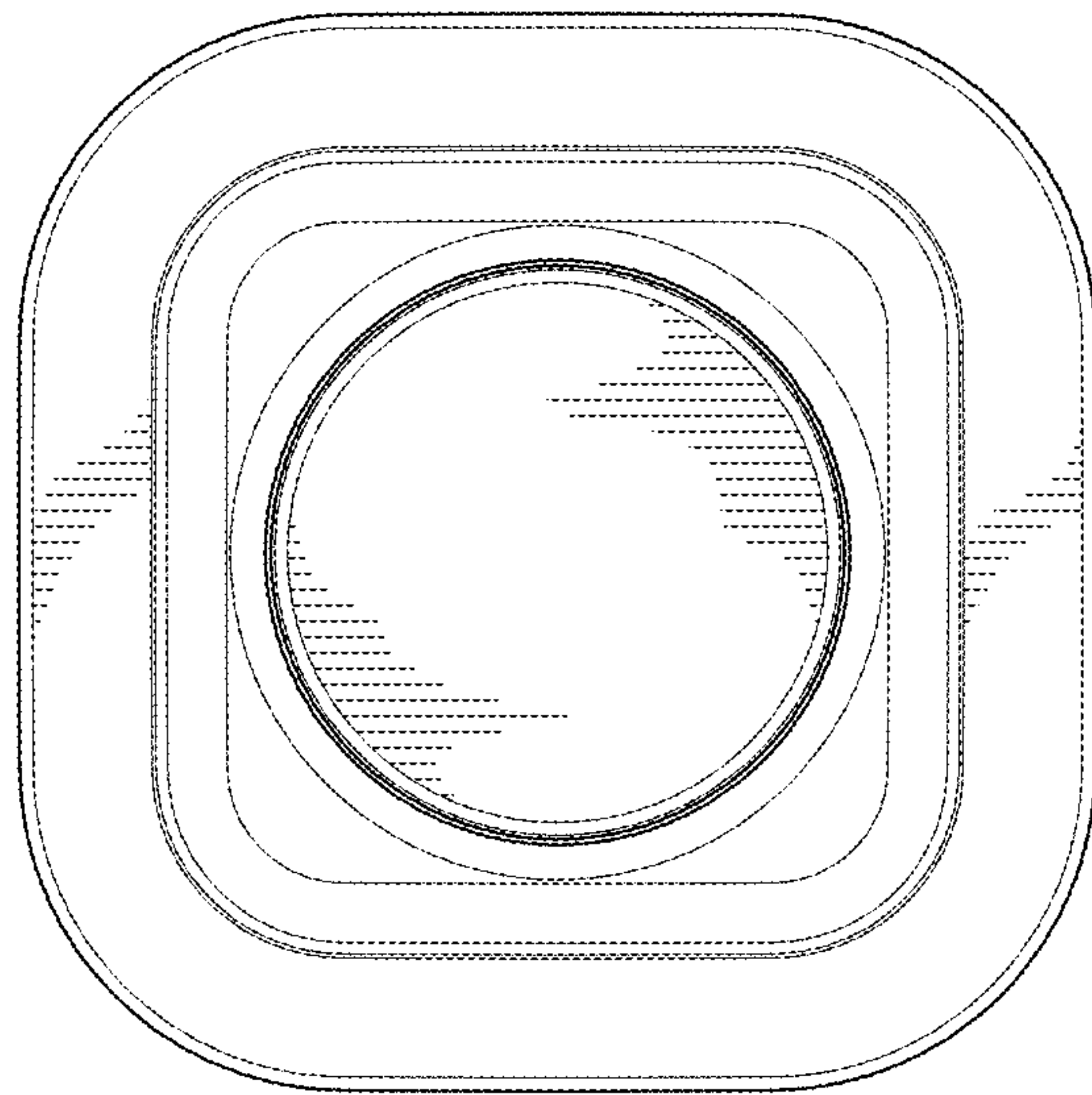


FIG. 55

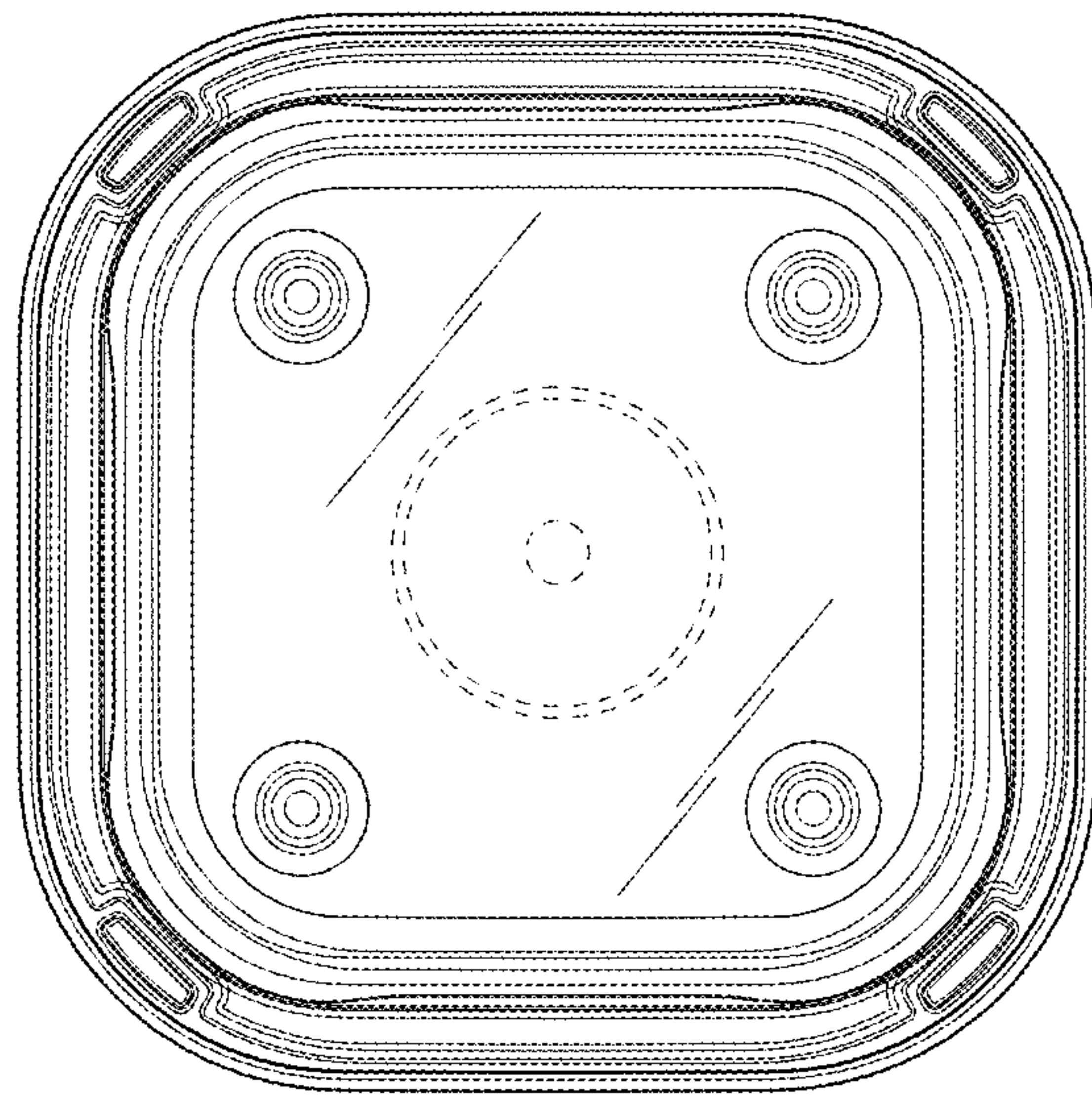


FIG. 56

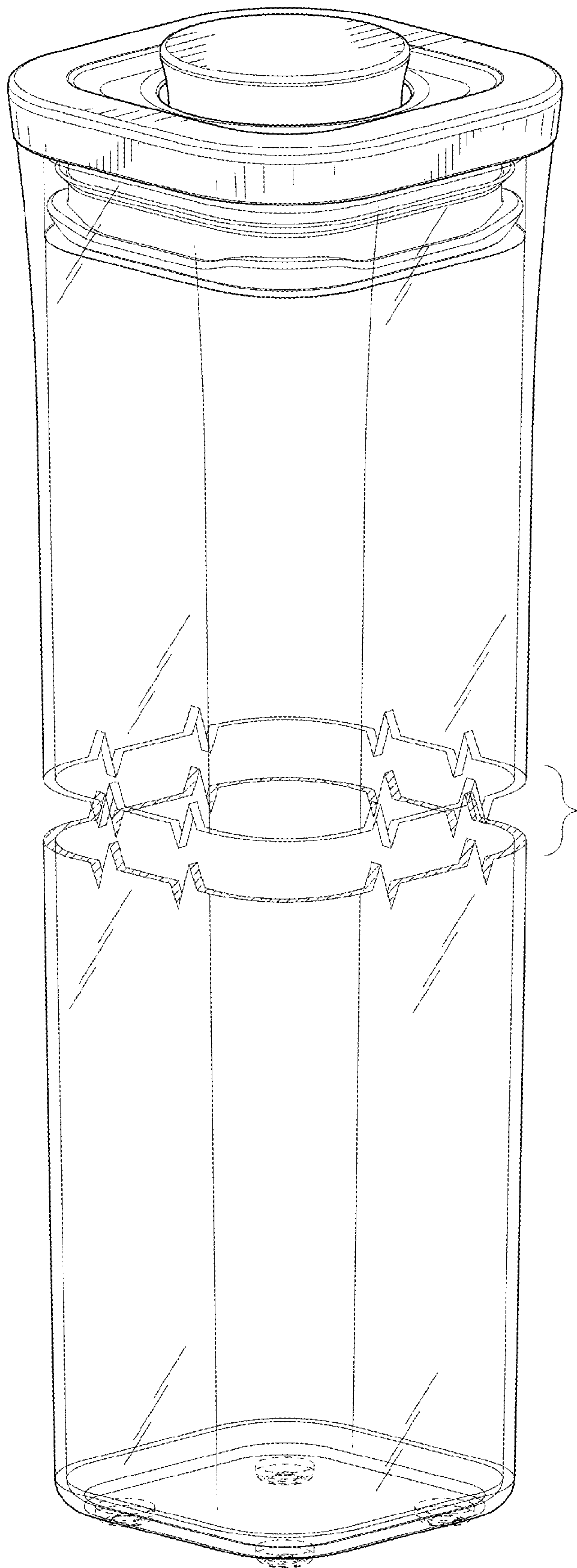


FIG. 57

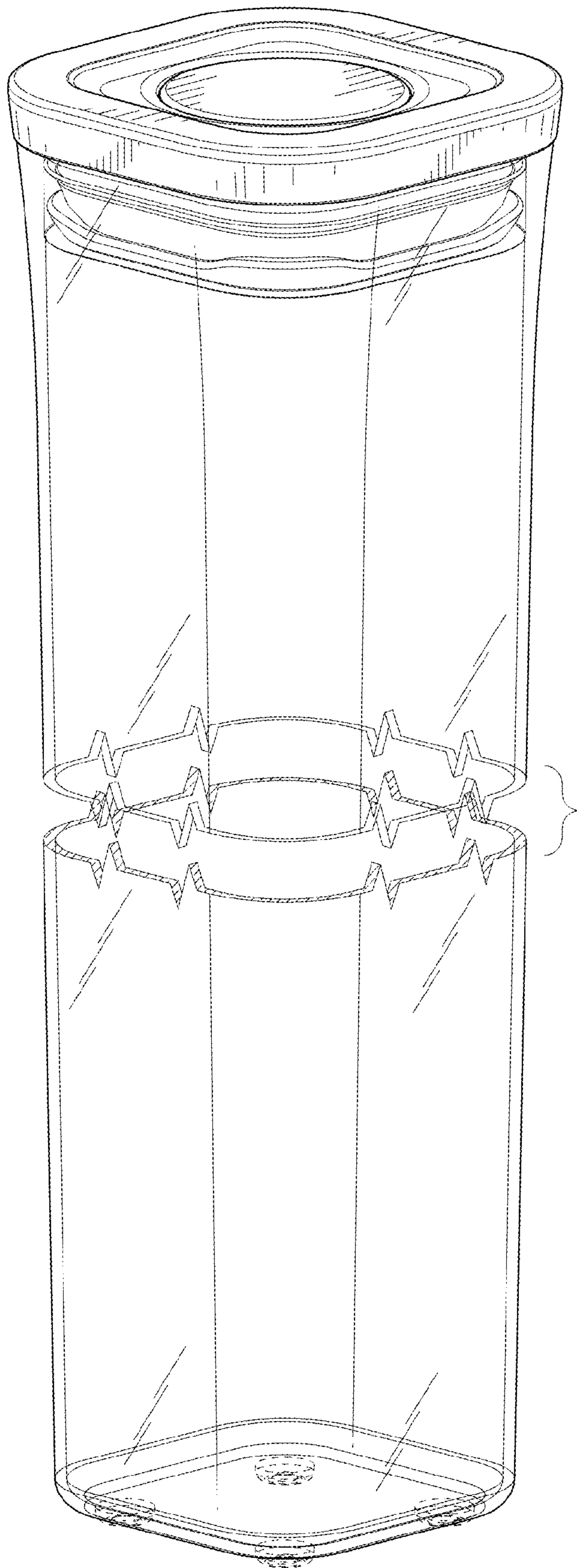


FIG. 58



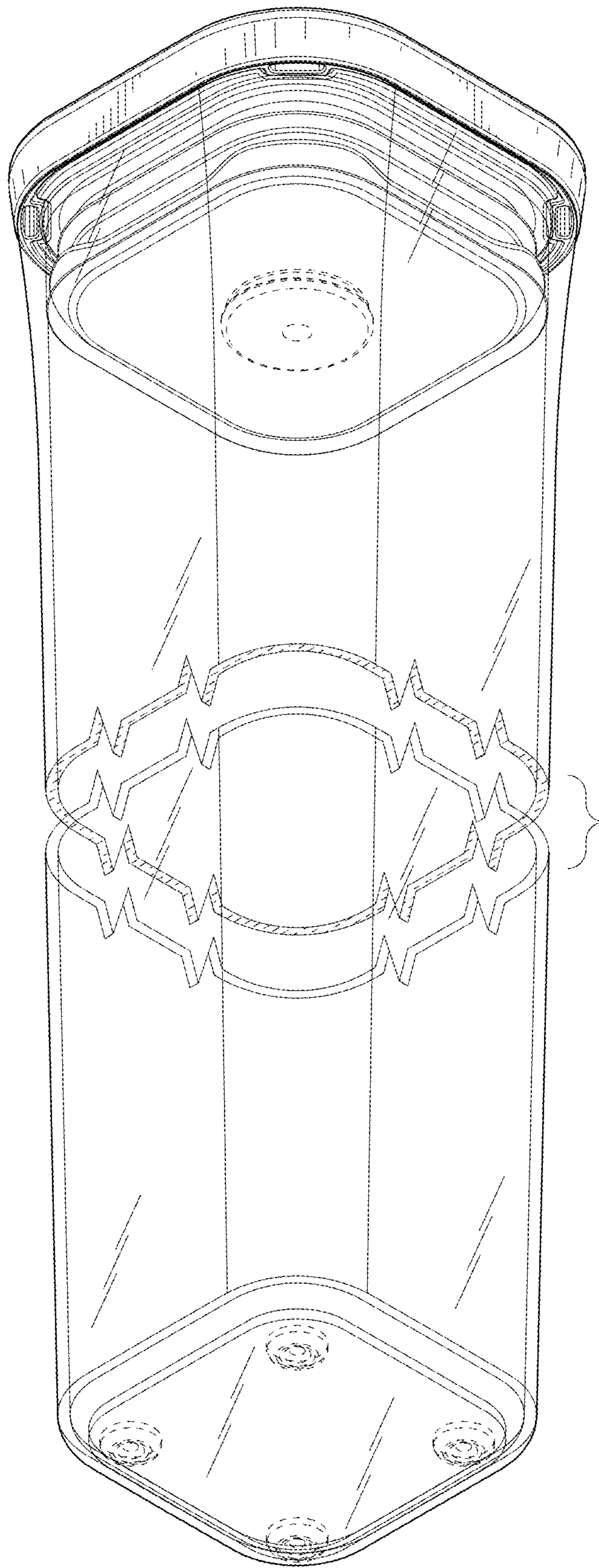


FIG. 59

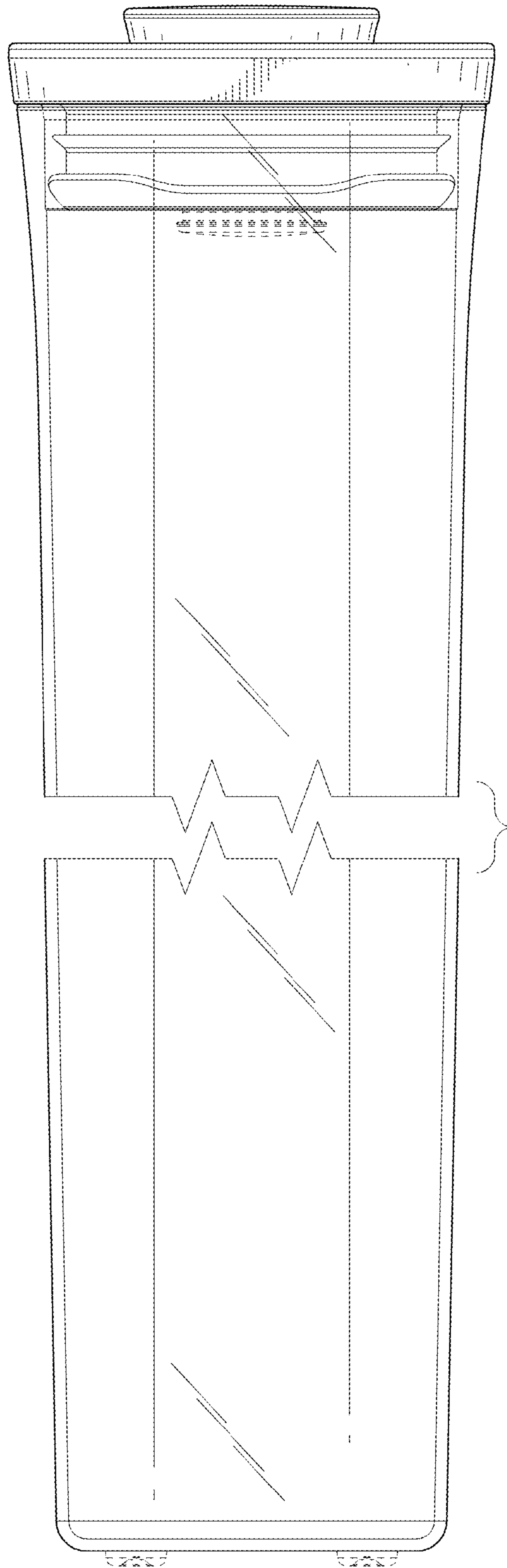


FIG. 60

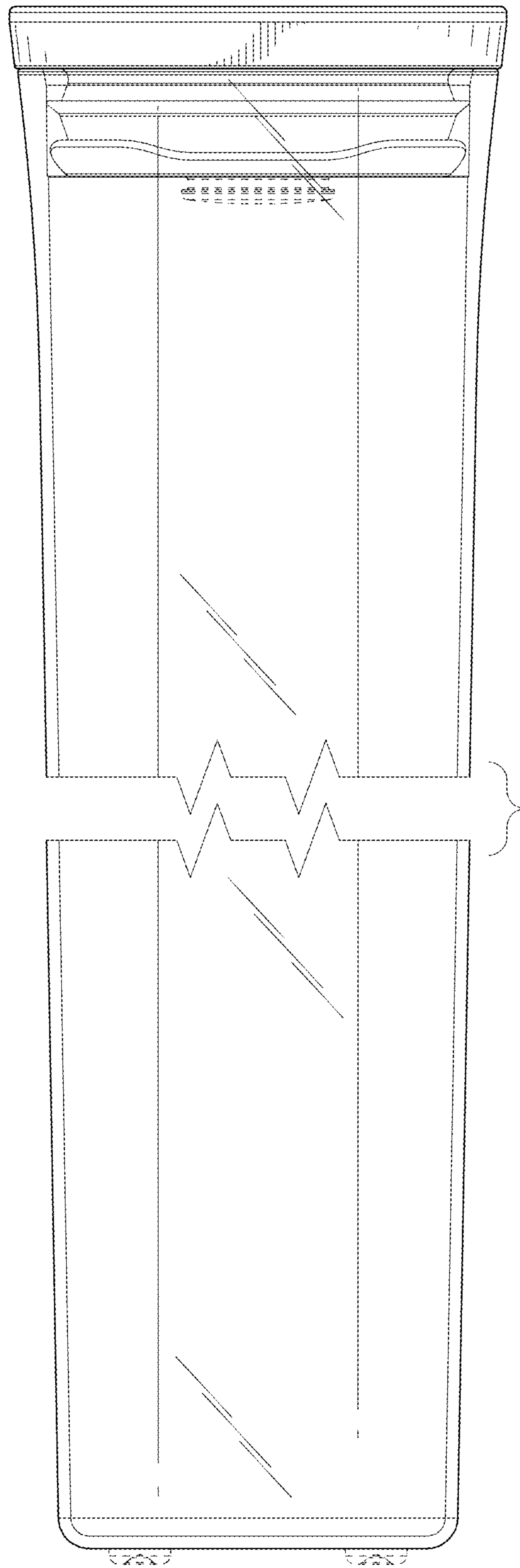


FIG. 61

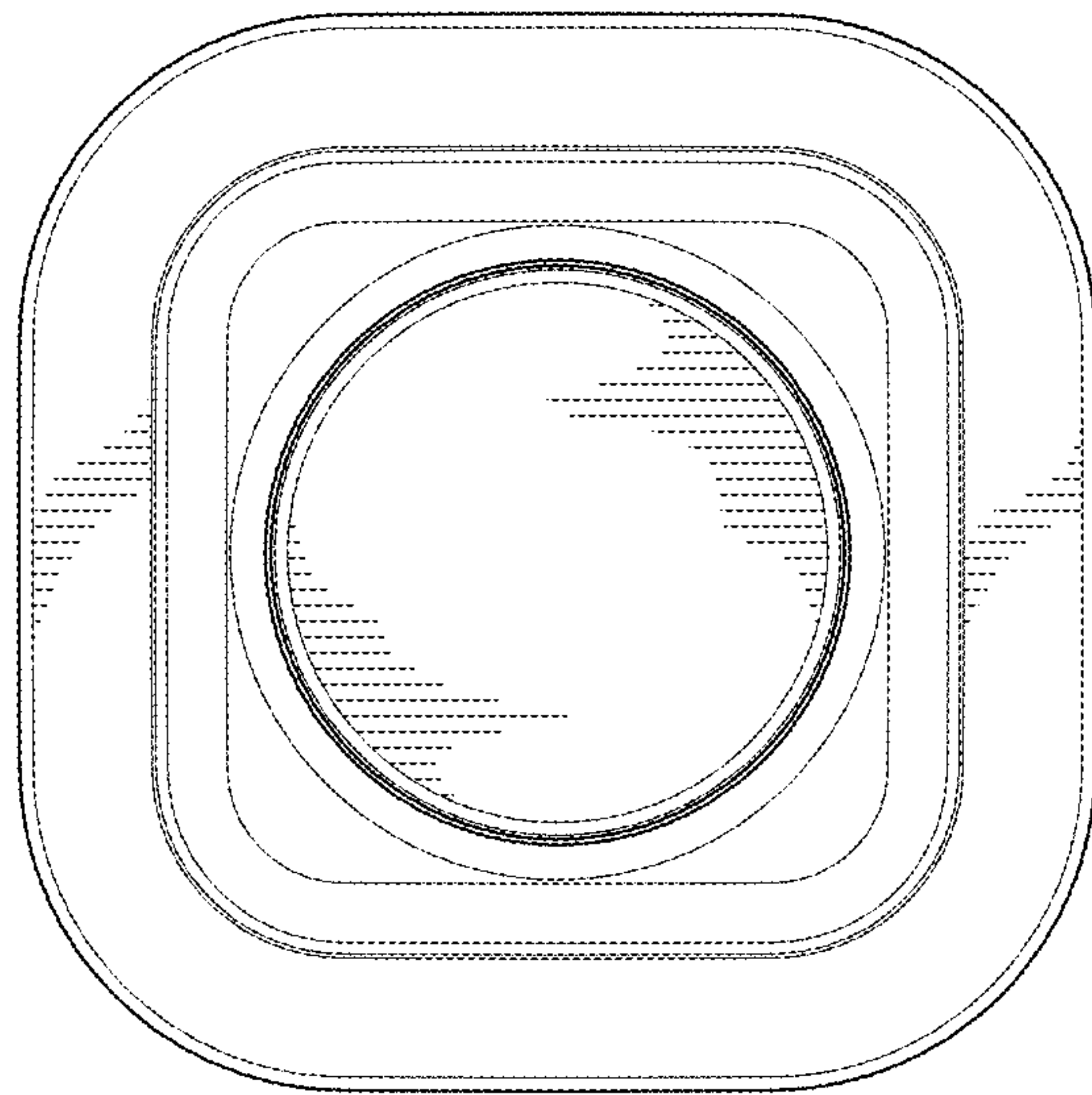


FIG. 62



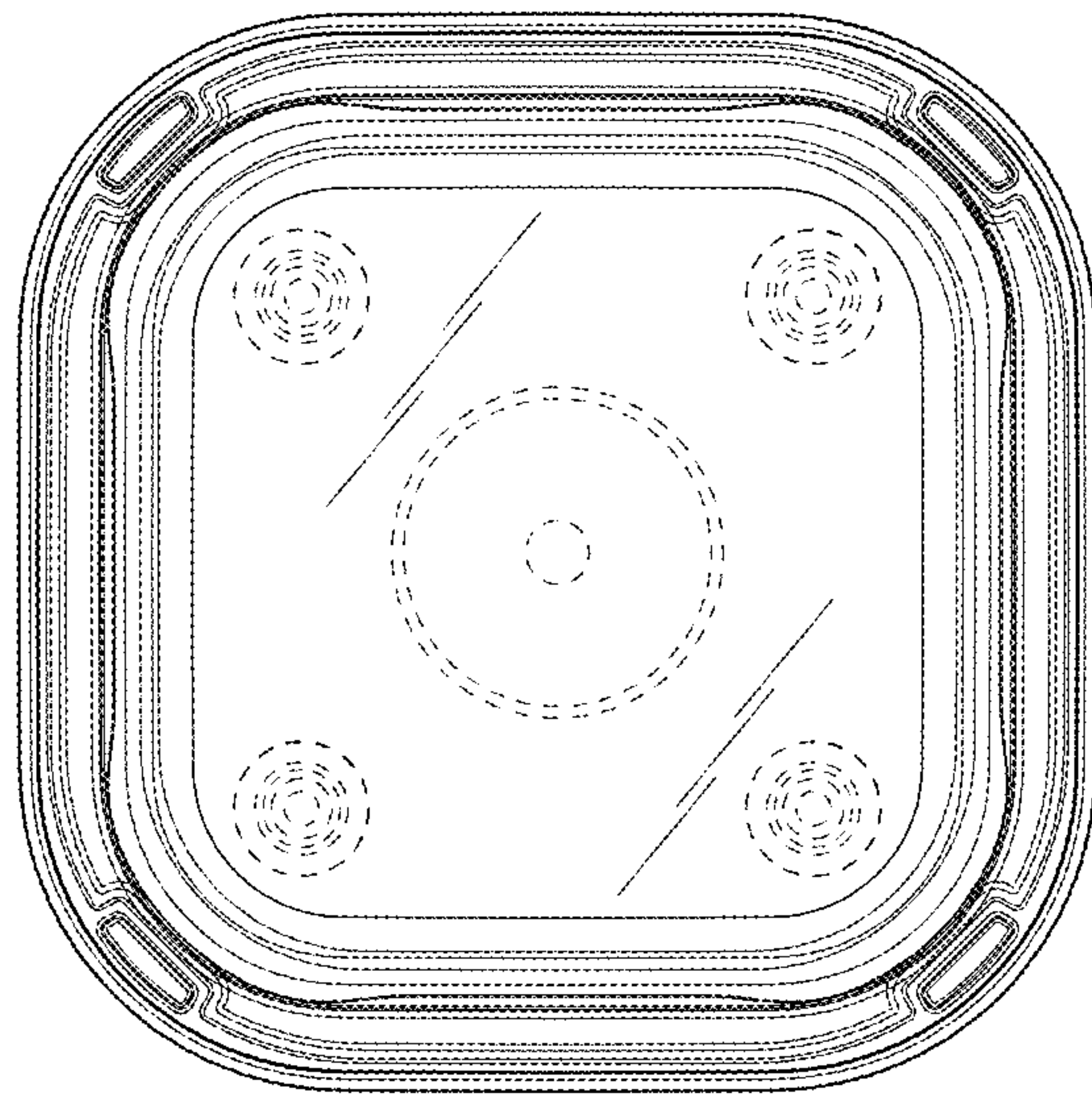


FIG. 63

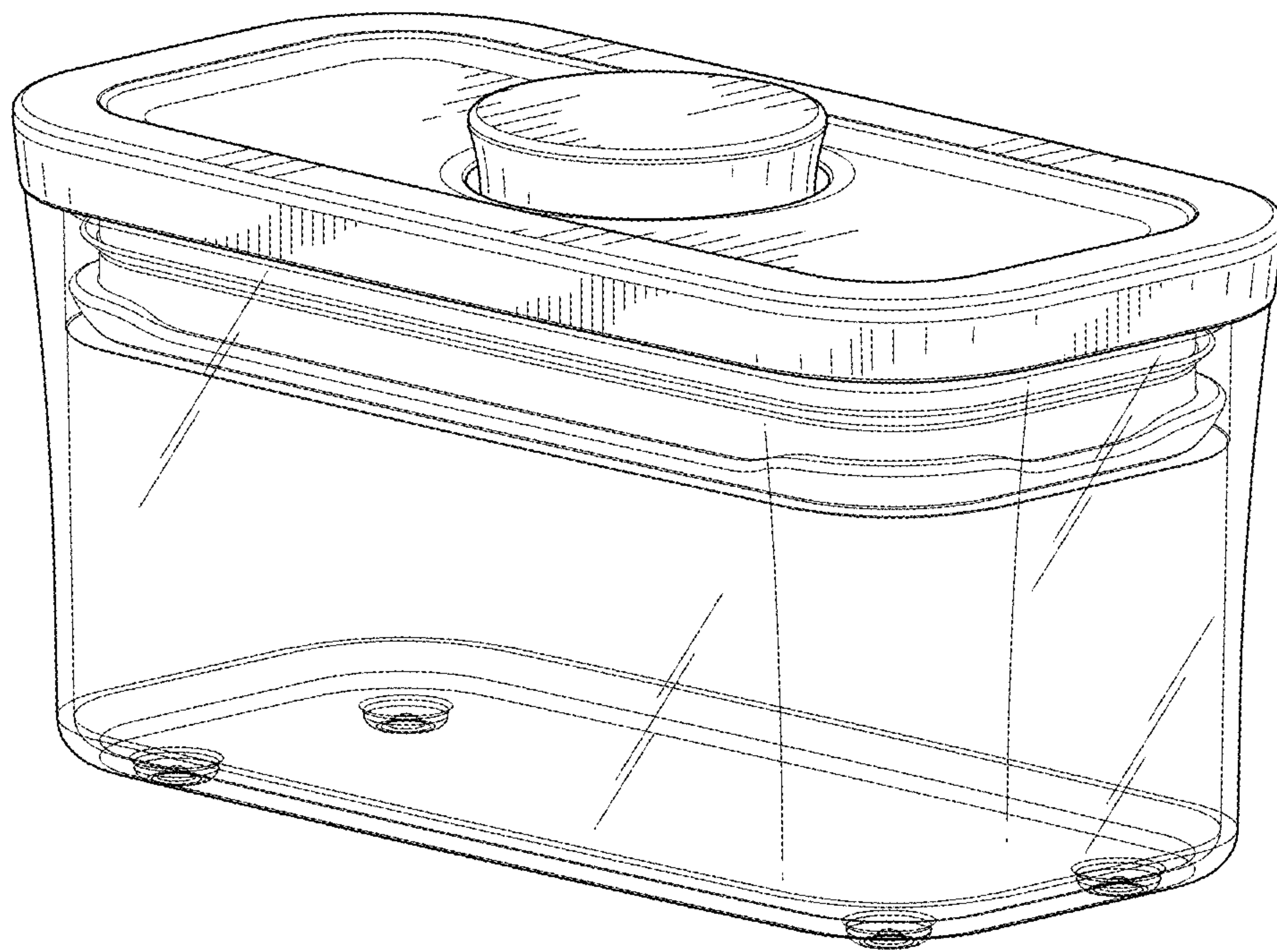


FIG.64

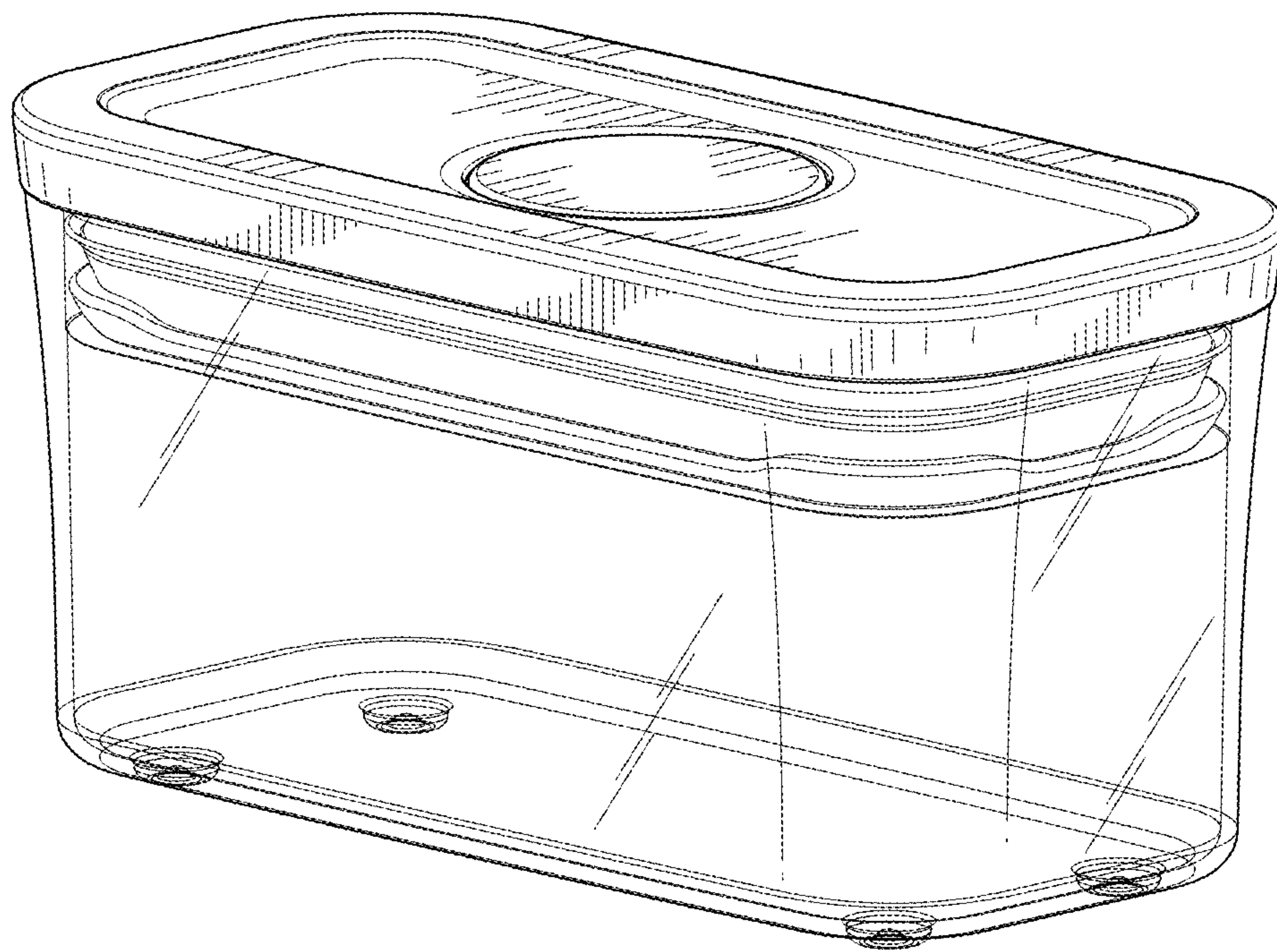


FIG. 65

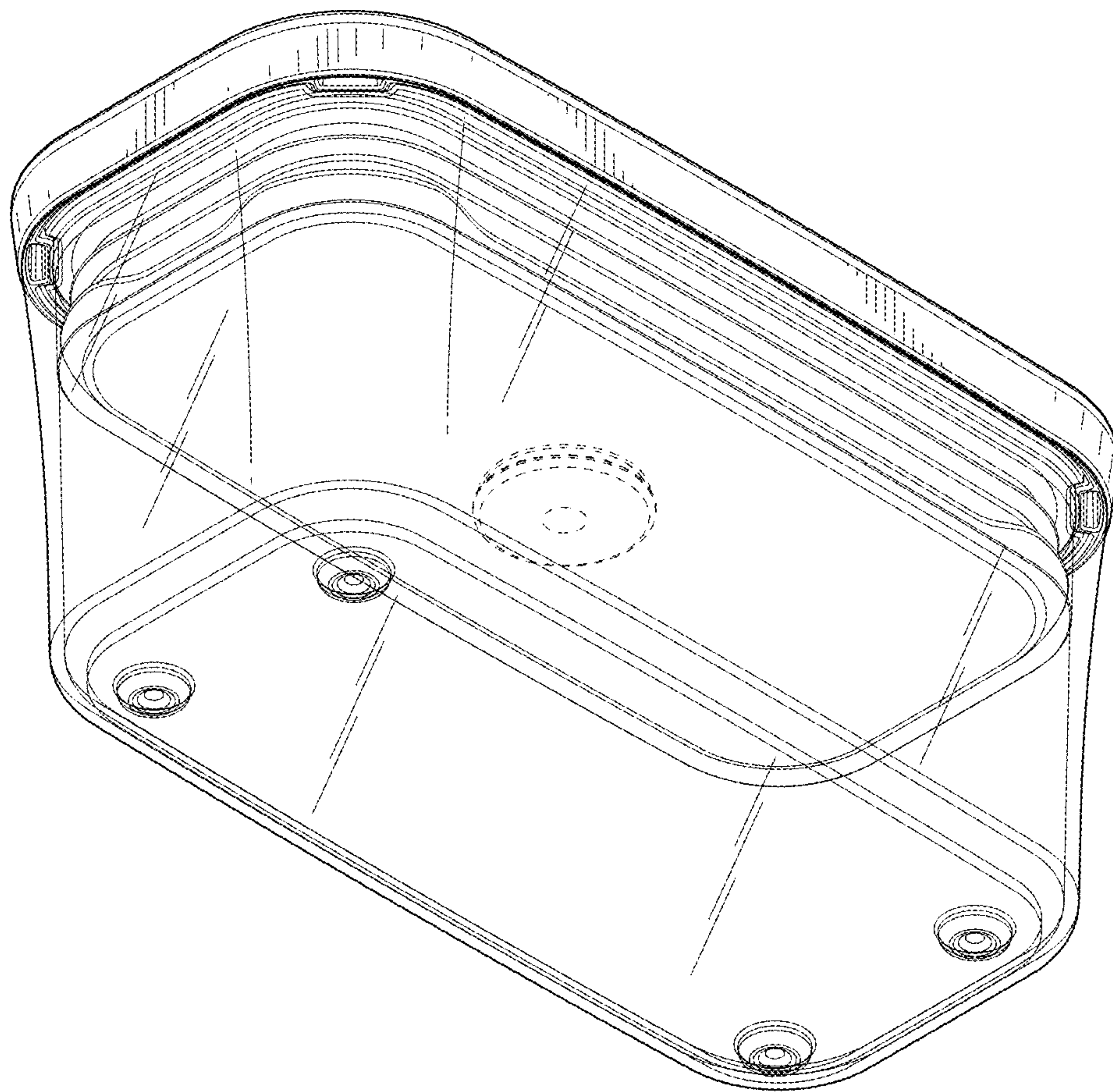


FIG. 66



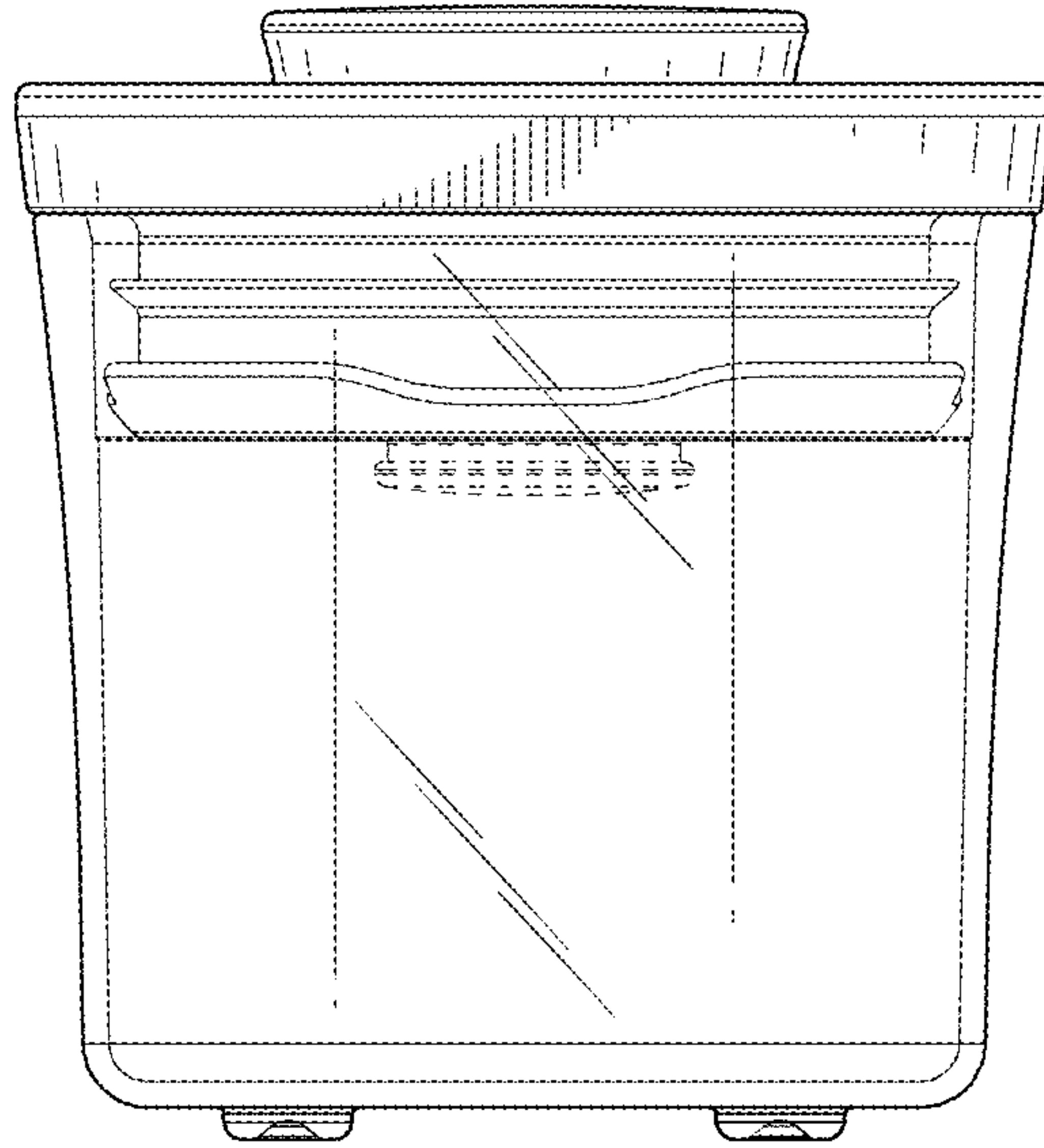


FIG. 67

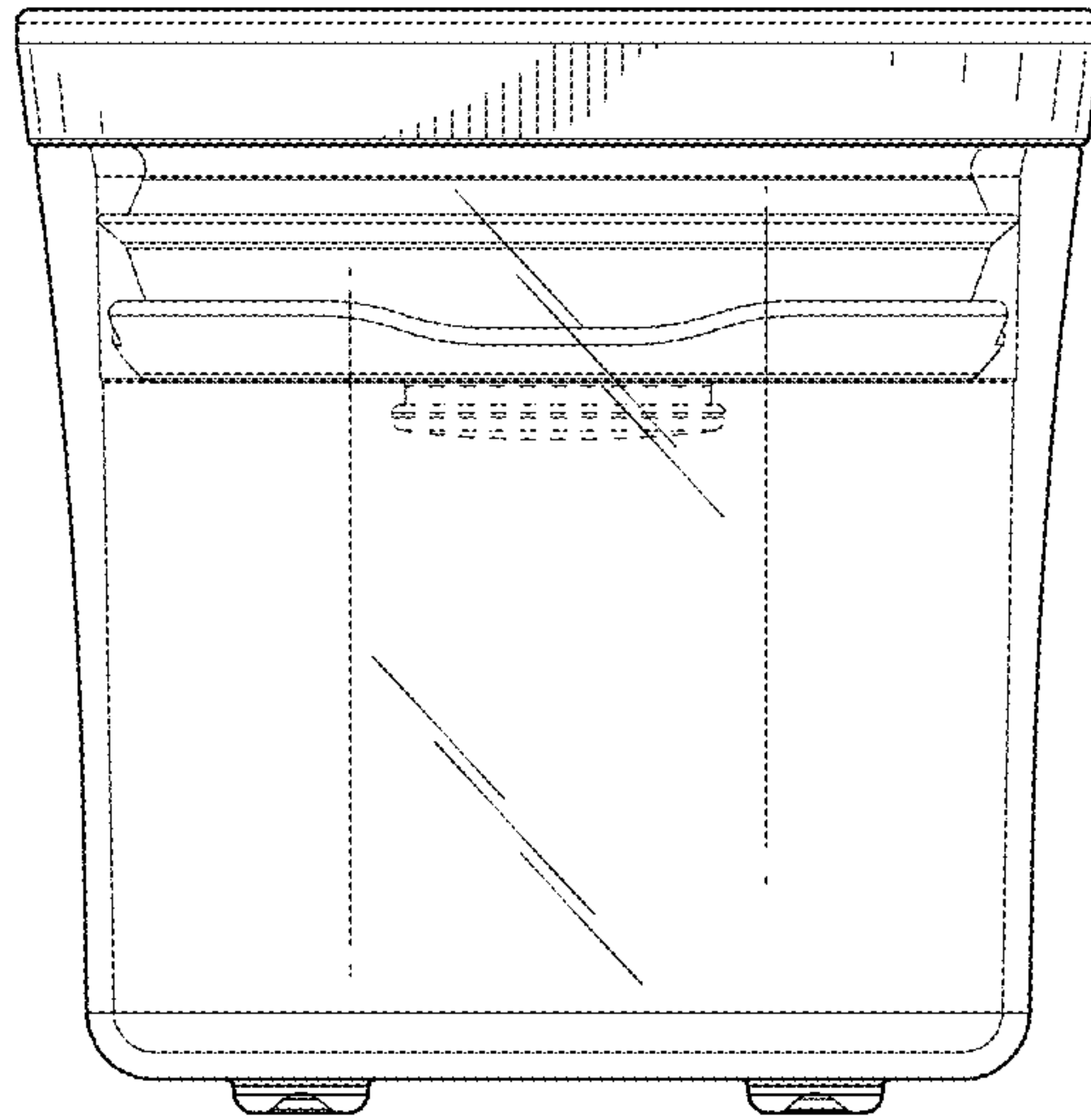


FIG. 68

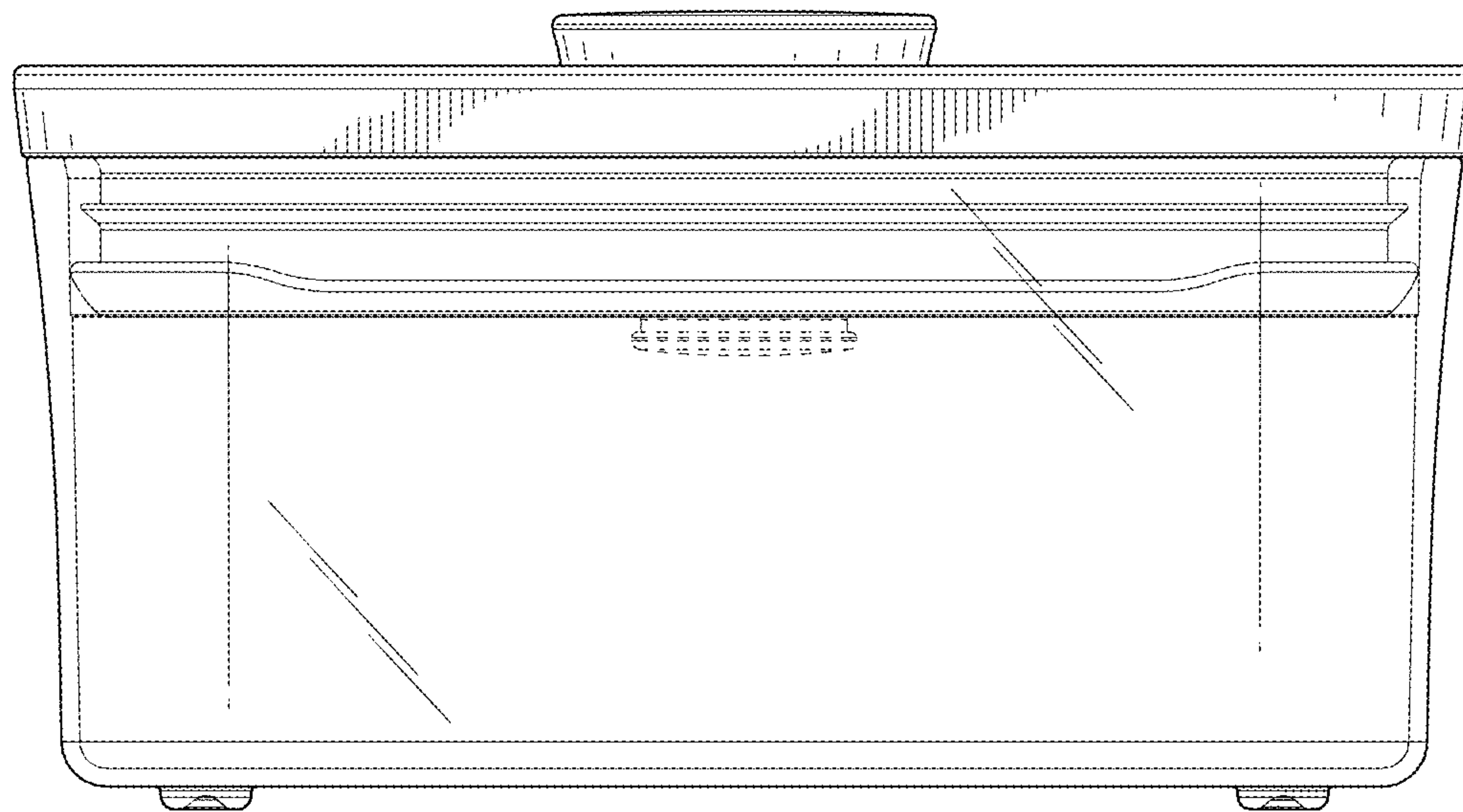


FIG. 69

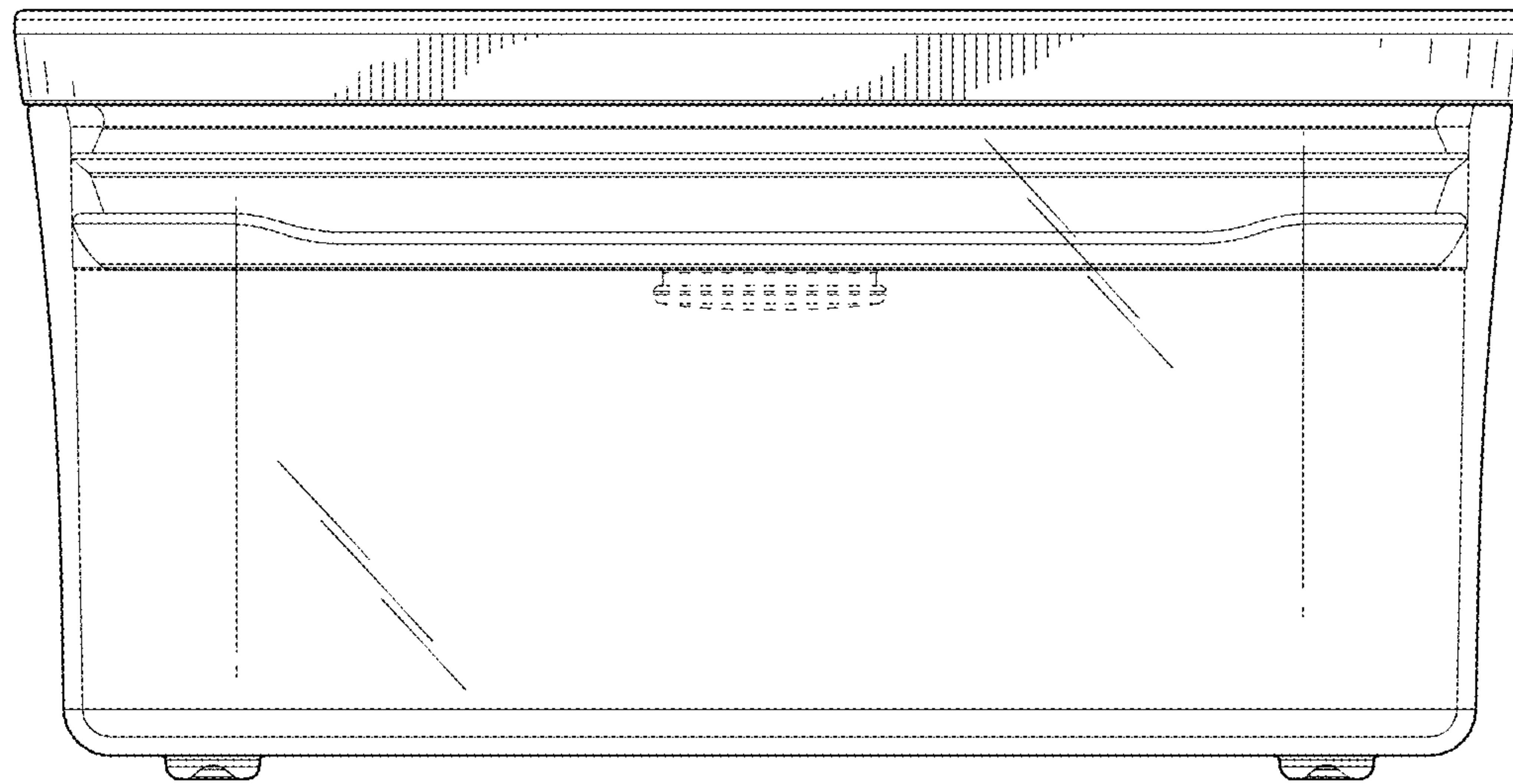


FIG. 70



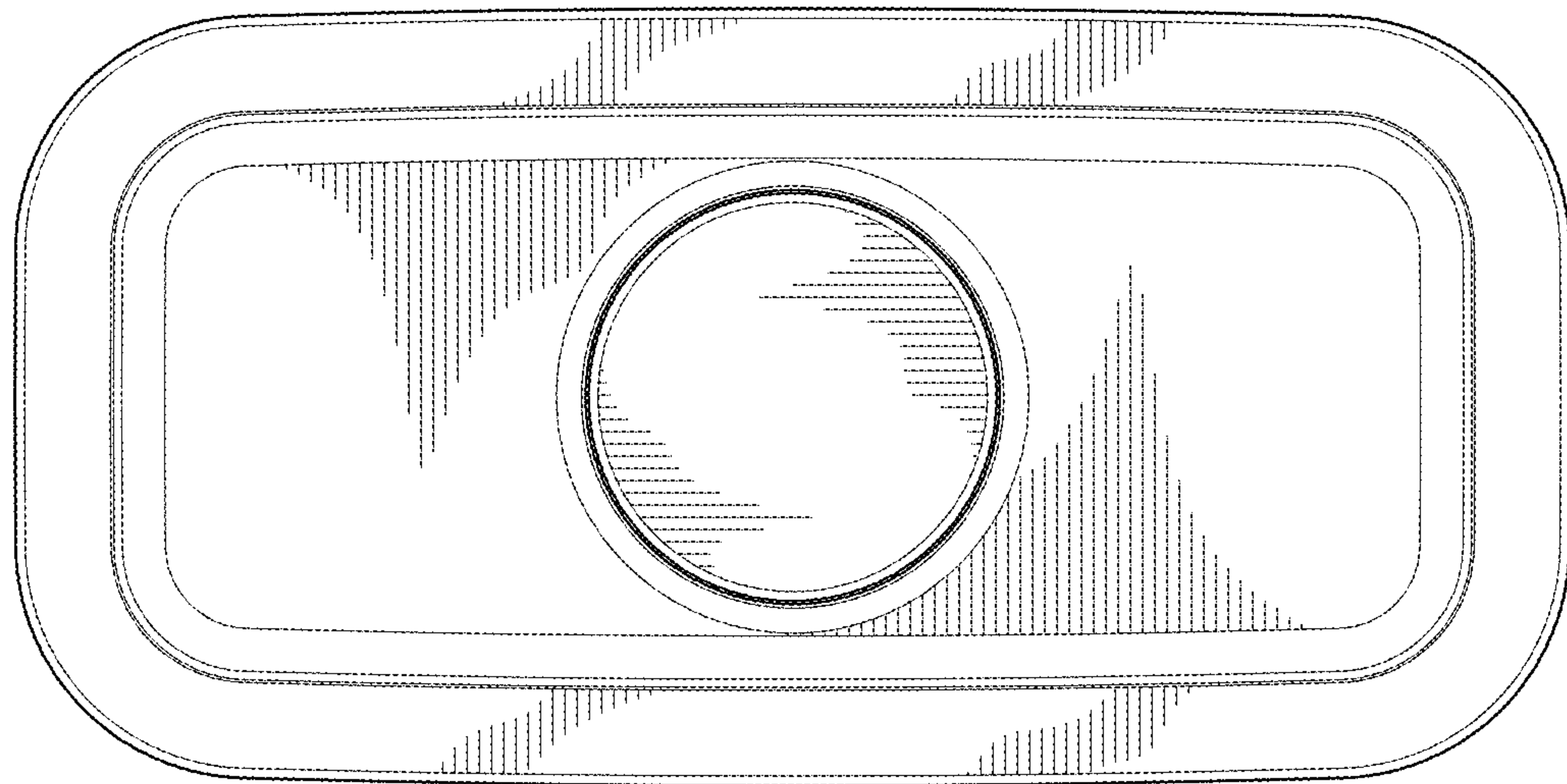


FIG. 71

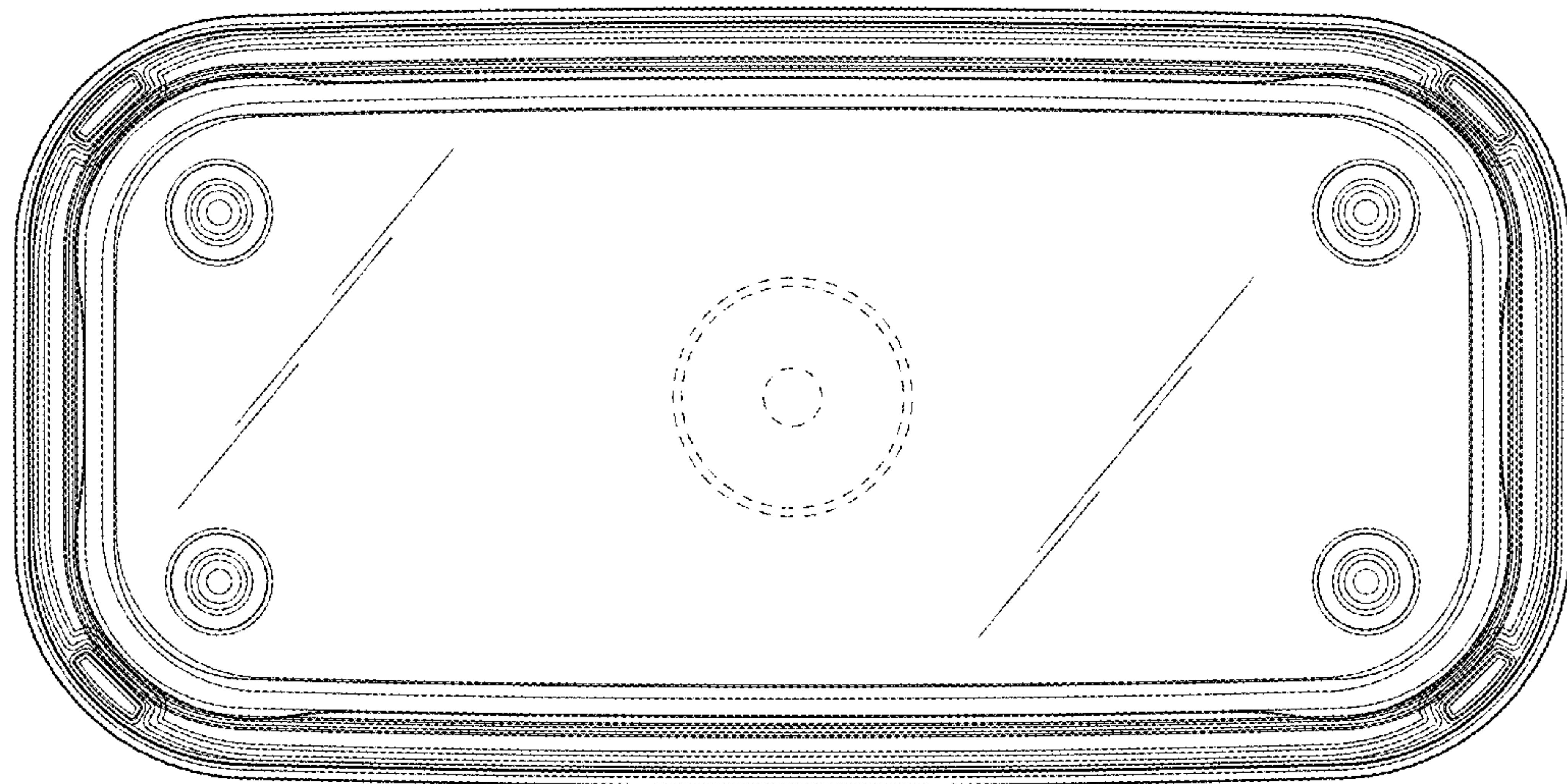


FIG.72

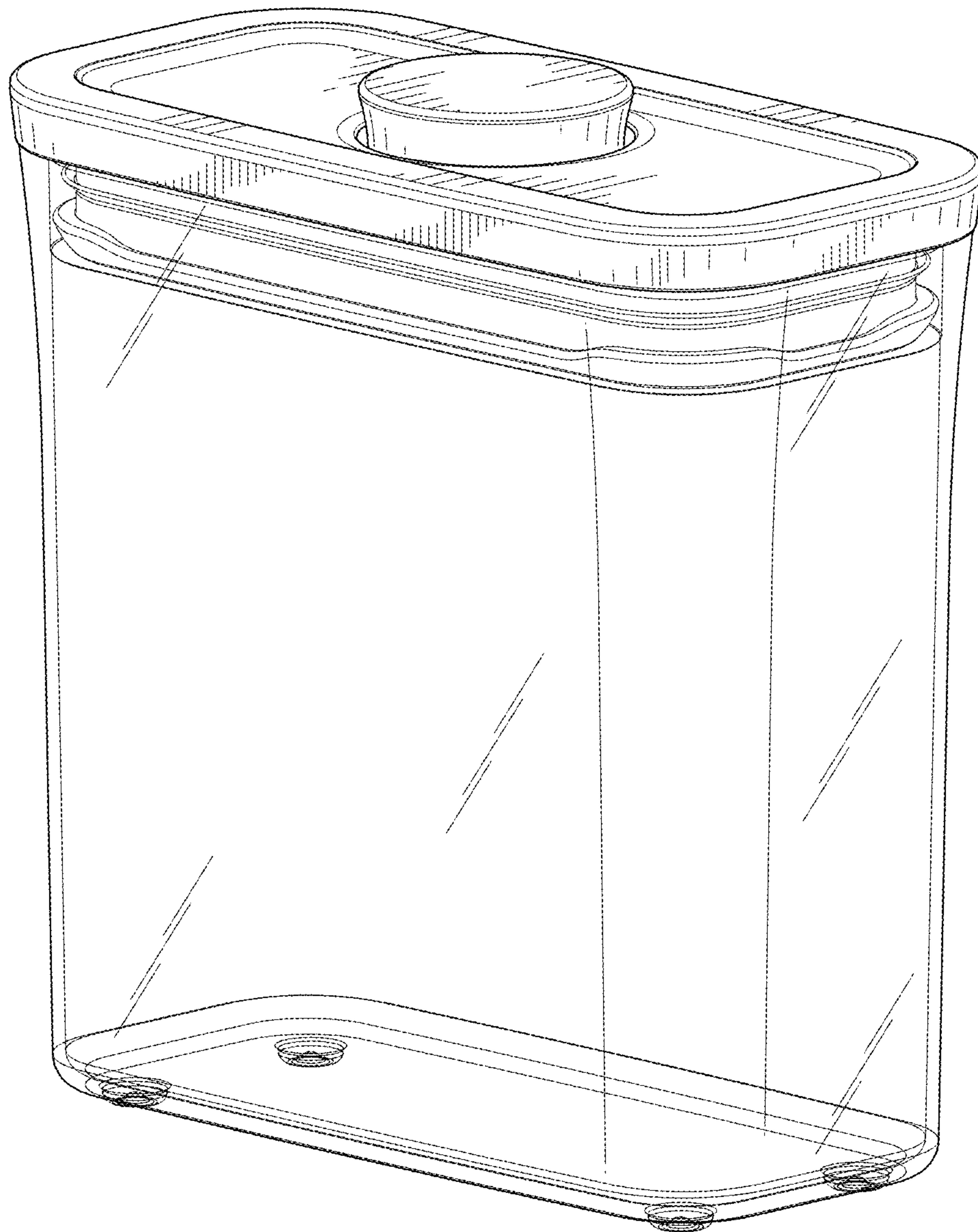


FIG. 73

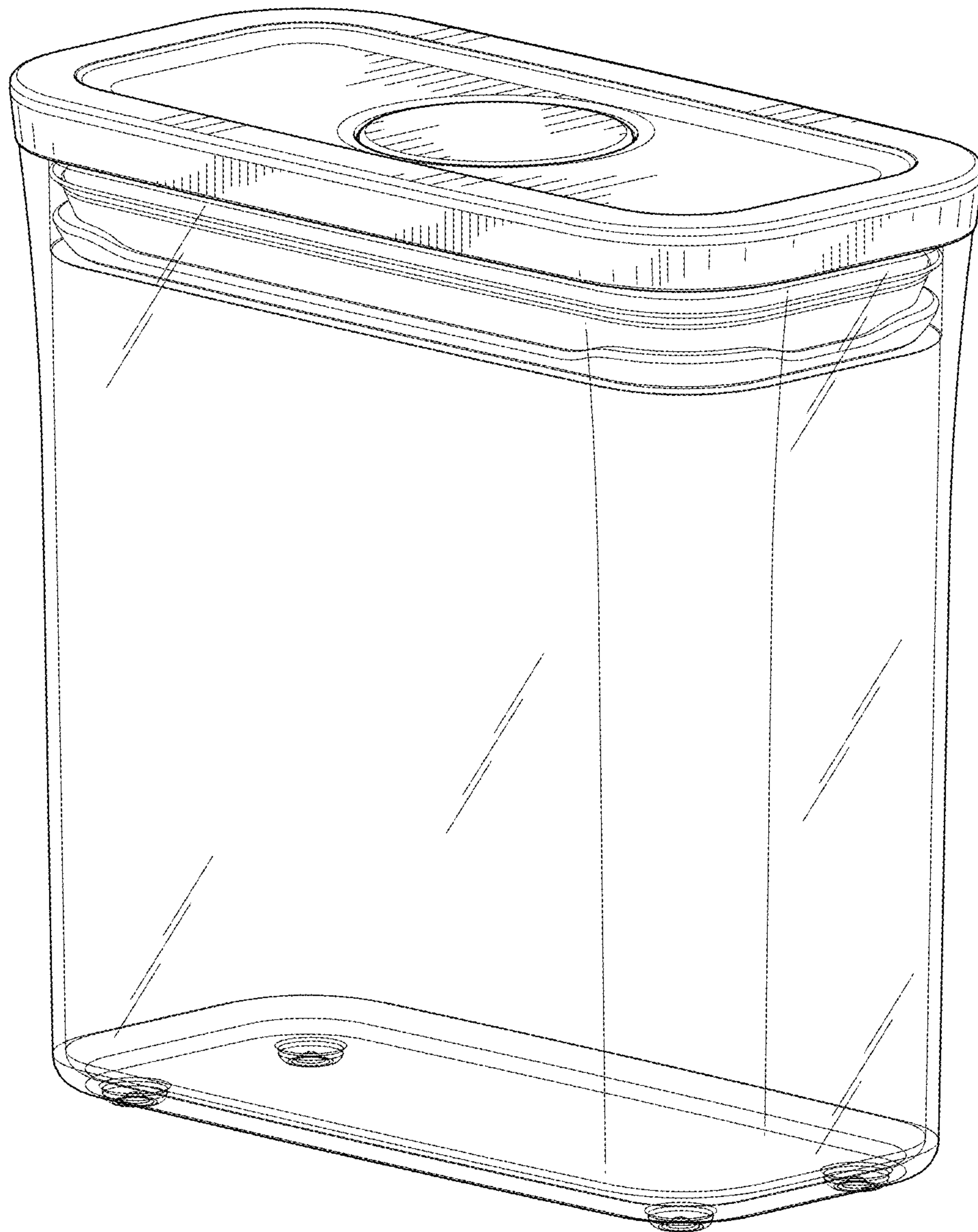


FIG. 74



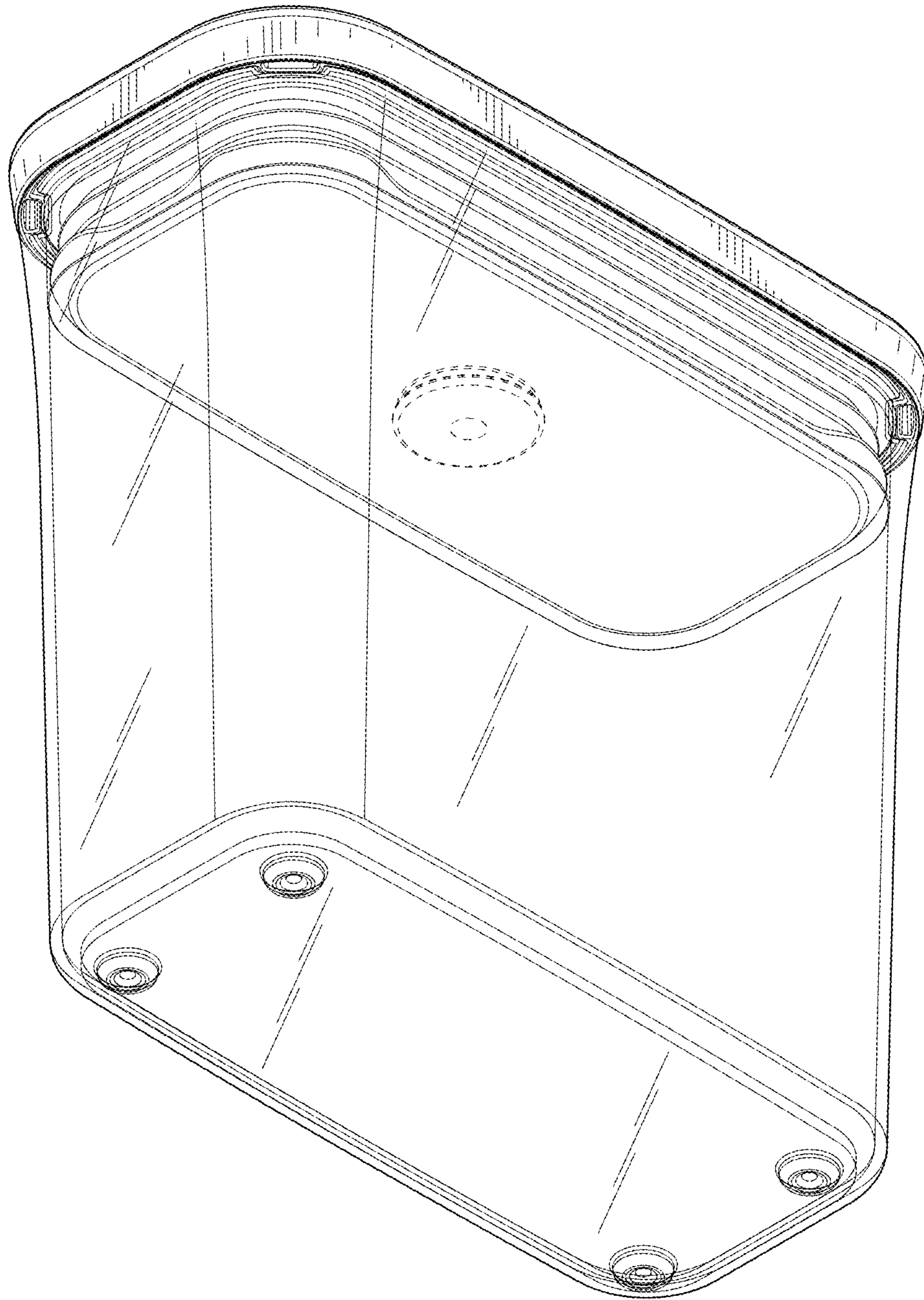


FIG. 75

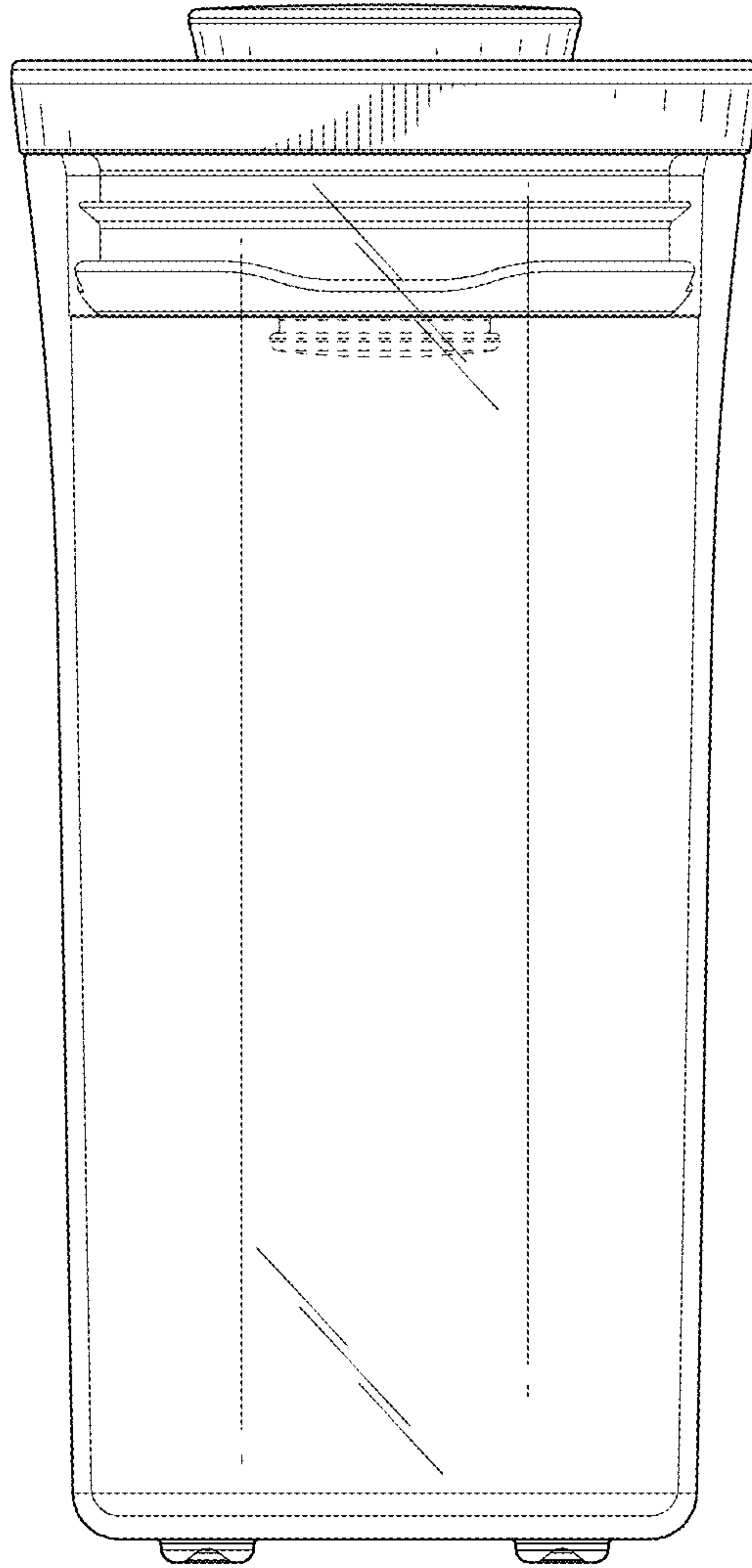


FIG. 76

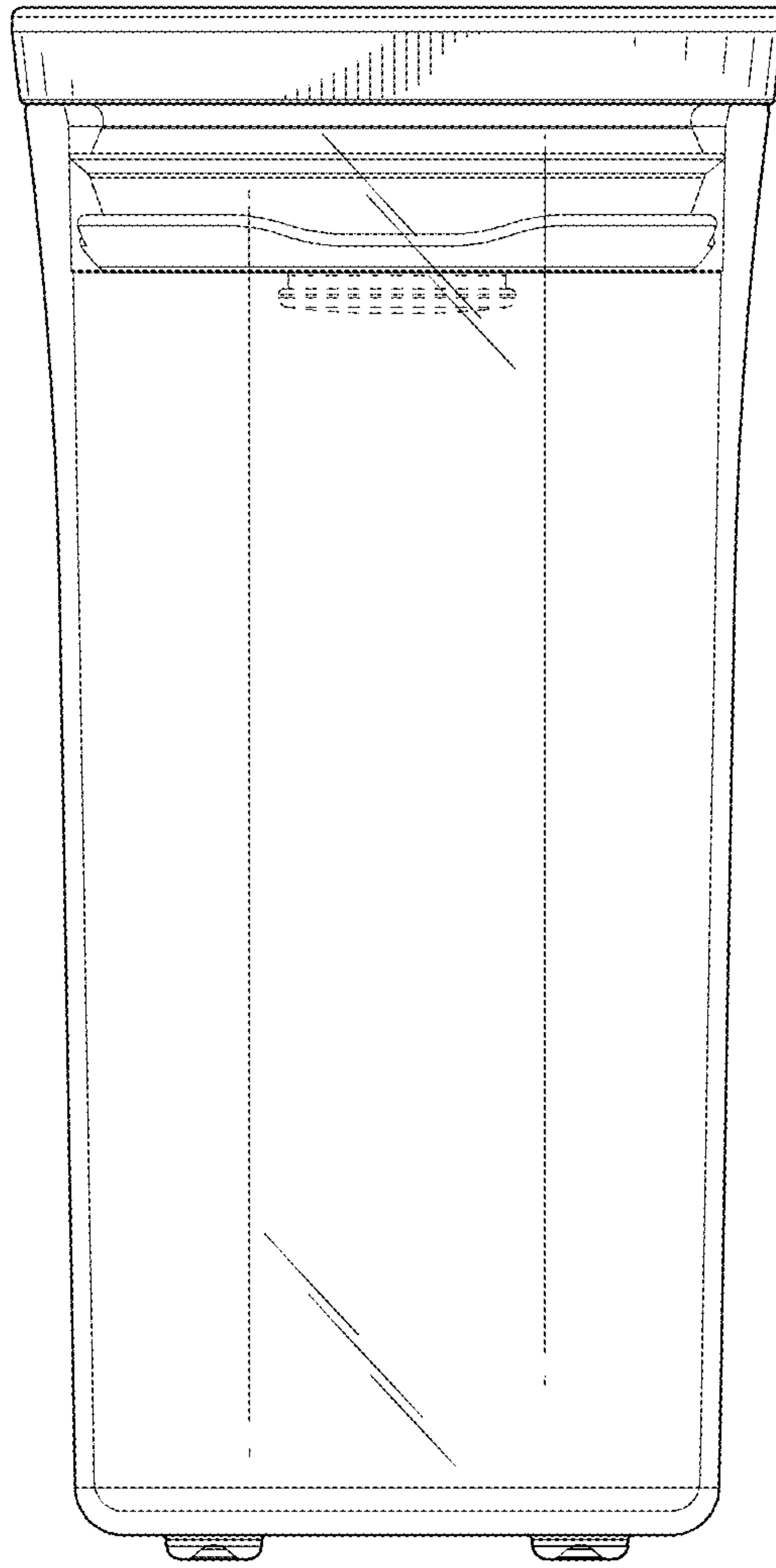


FIG. 77

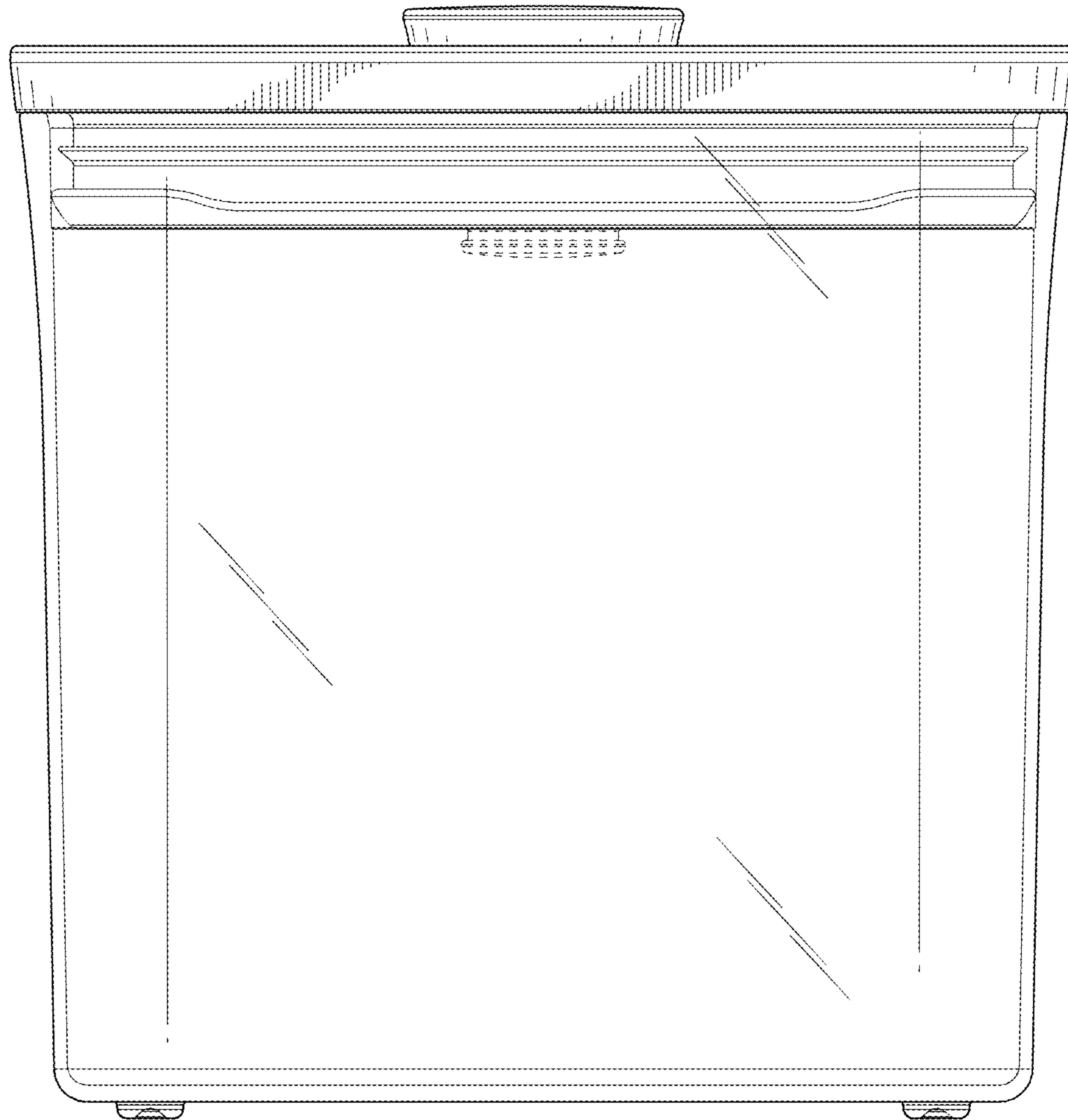


FIG.78



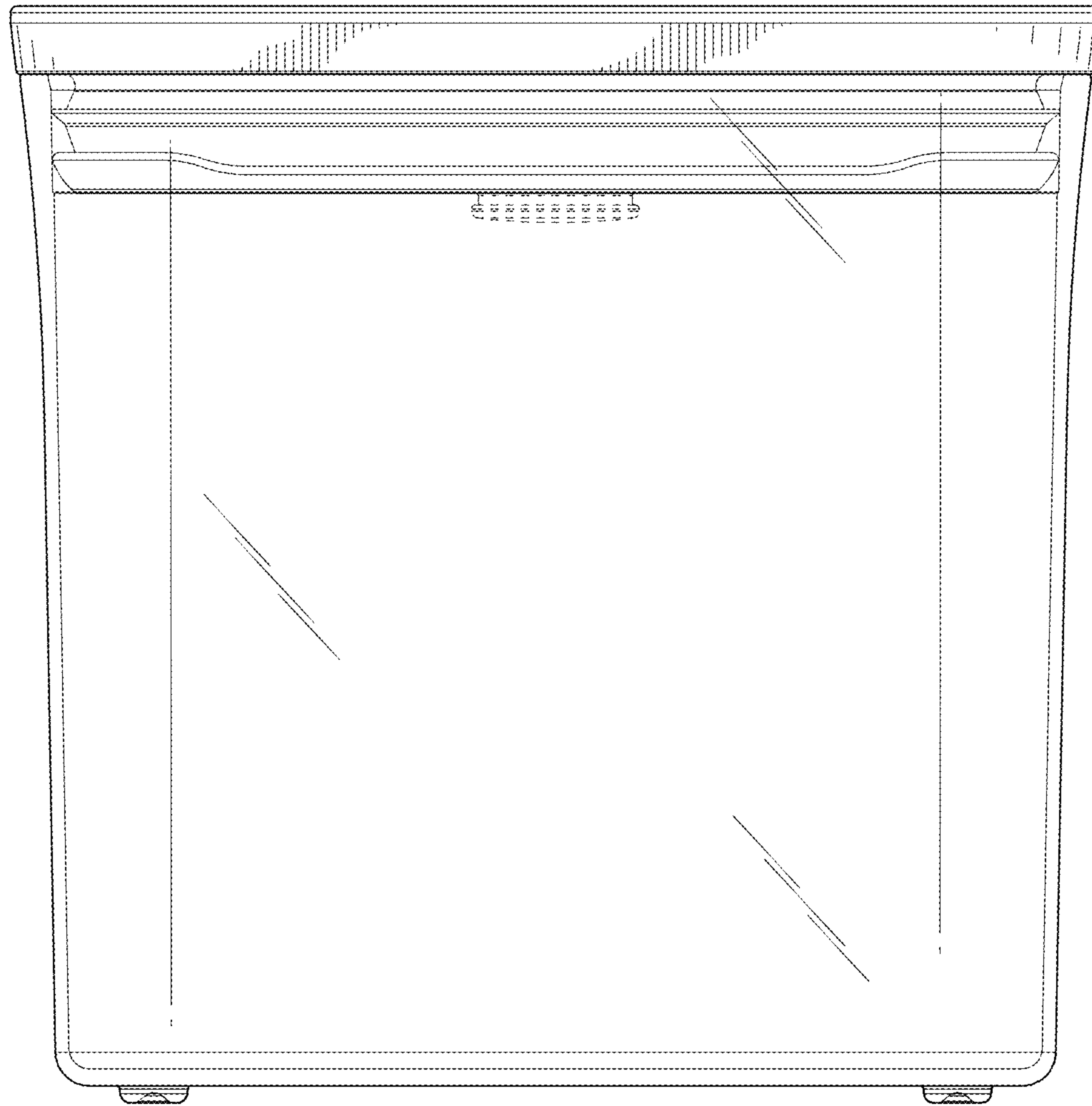


FIG. 79

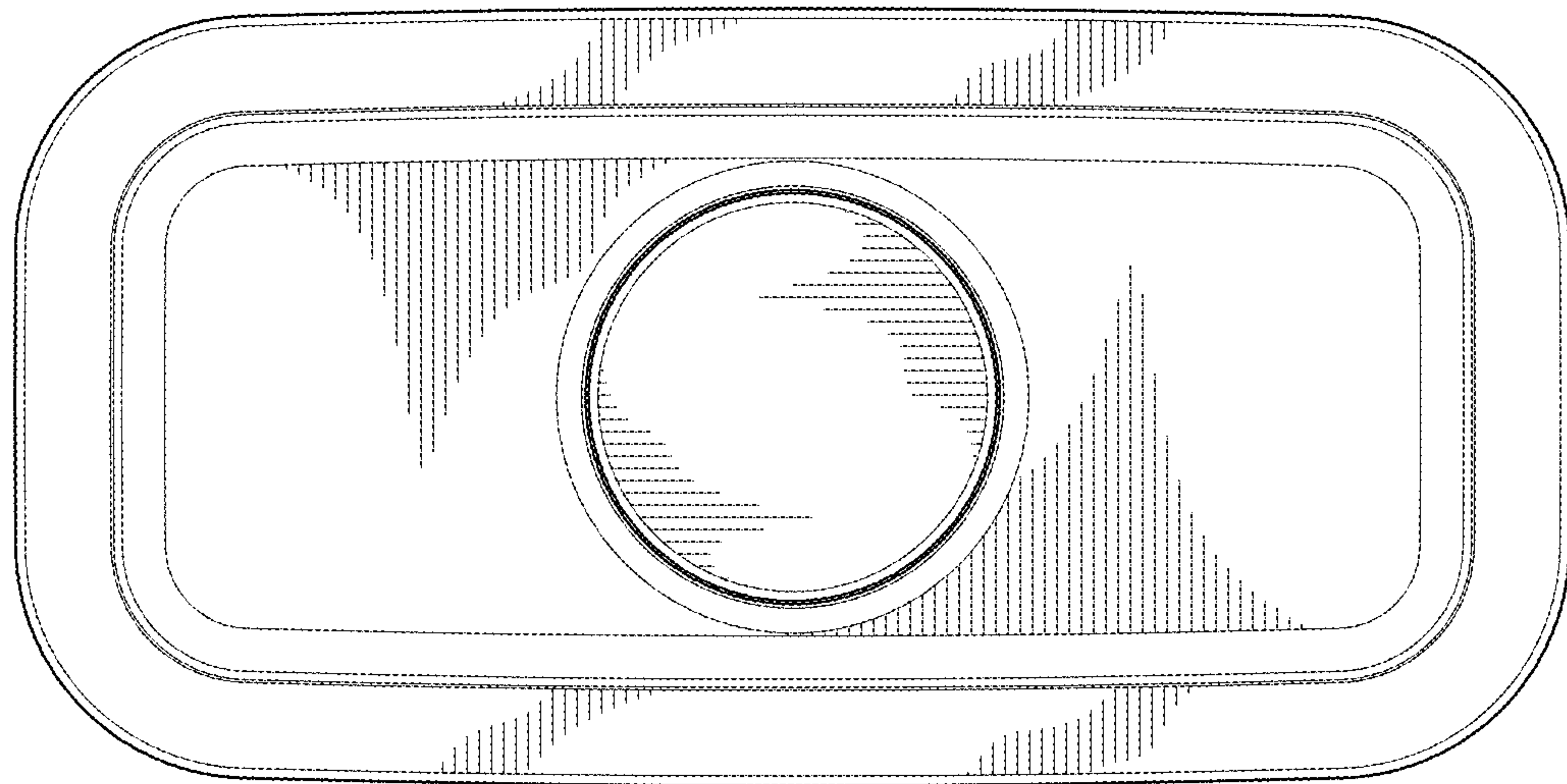


FIG. 80

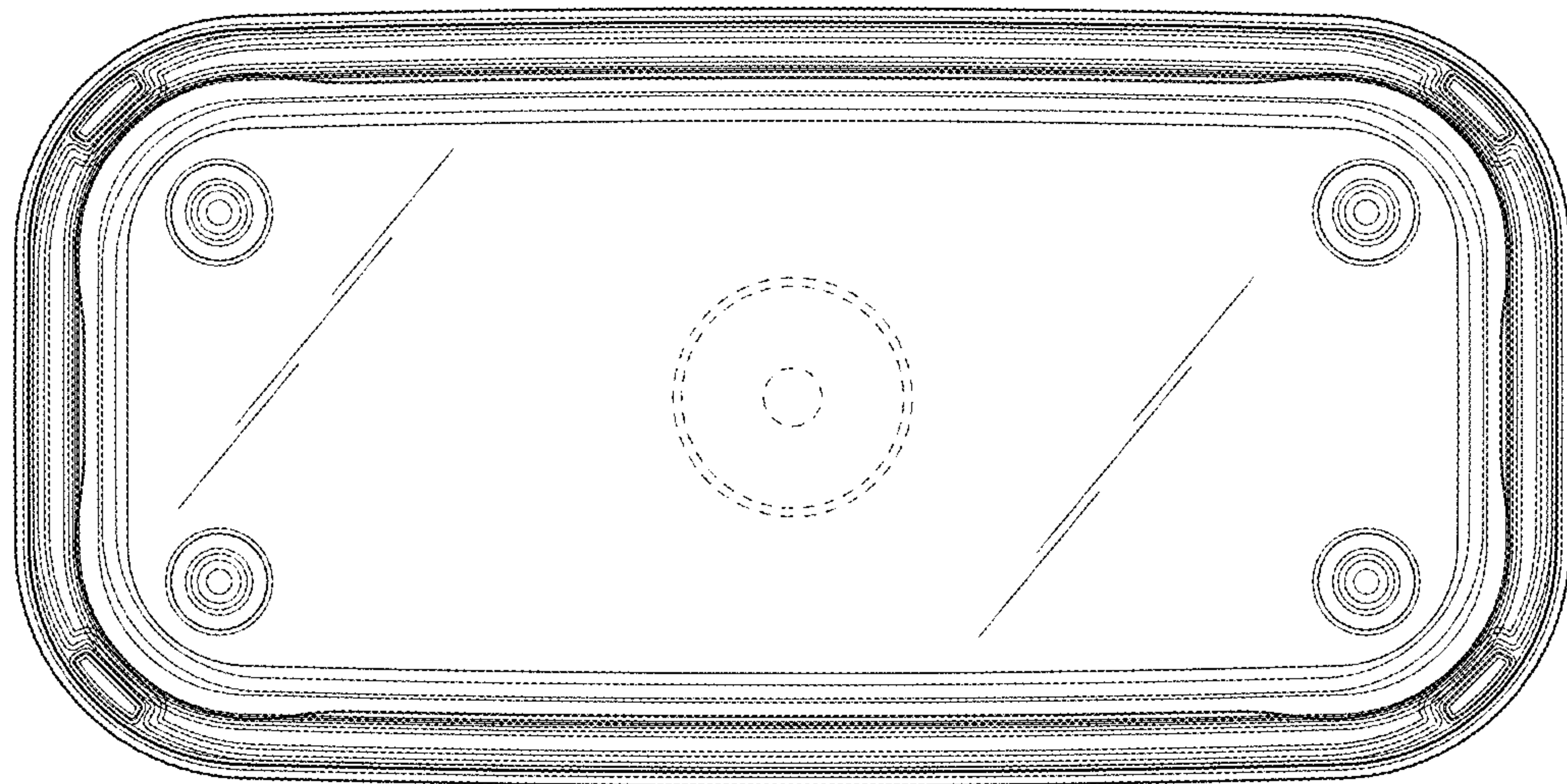


FIG.81

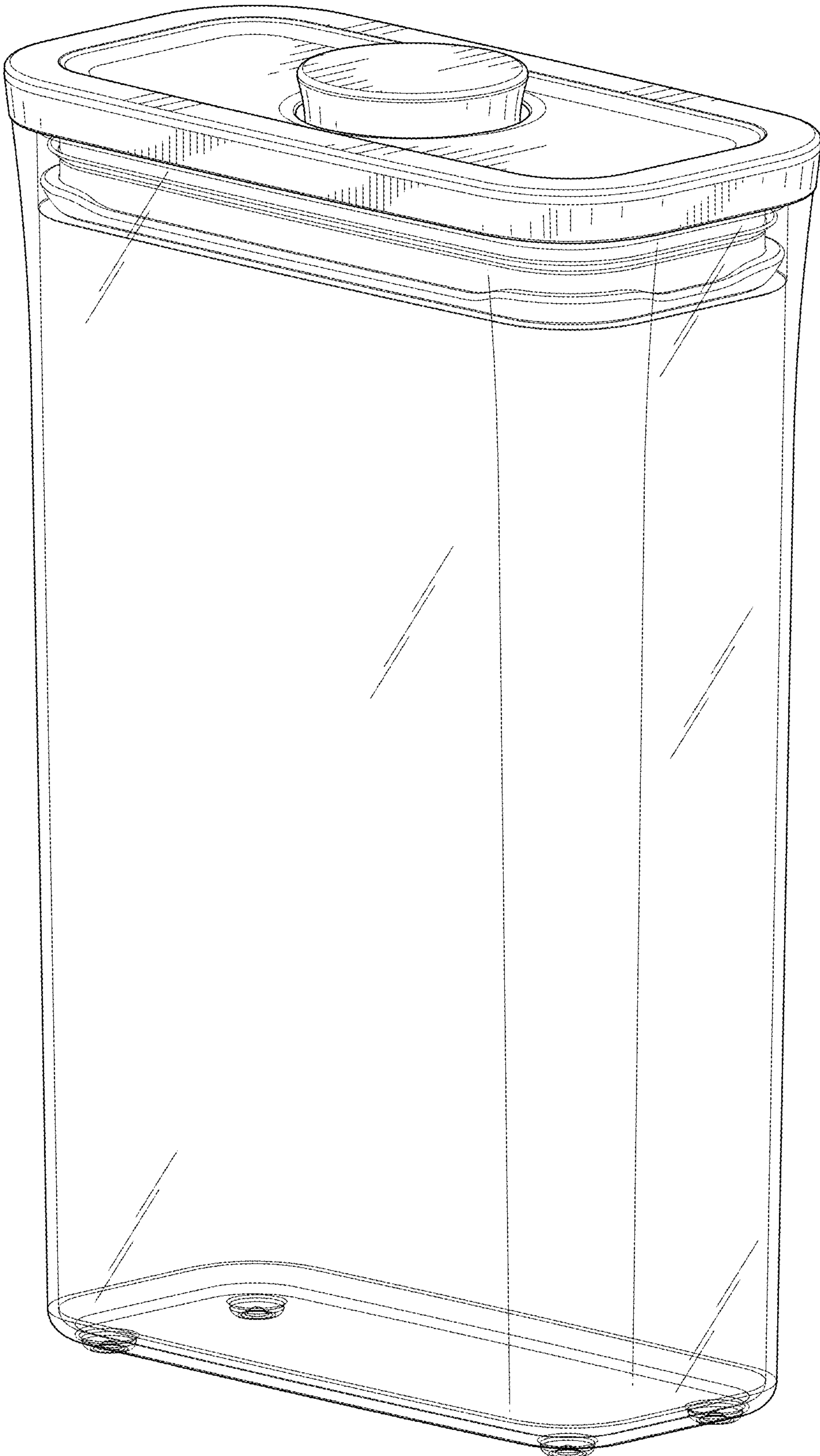


FIG.82

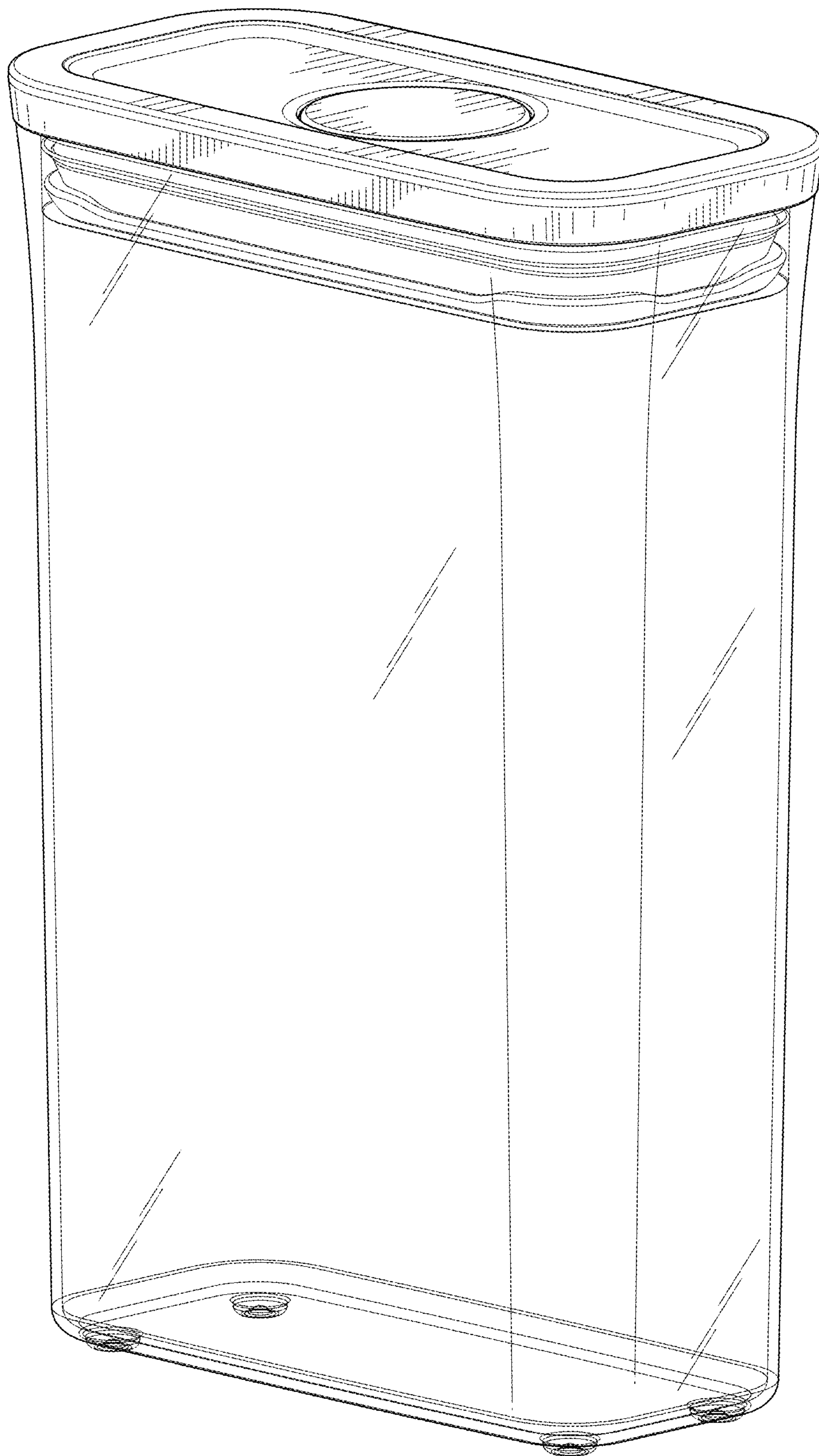


FIG.83



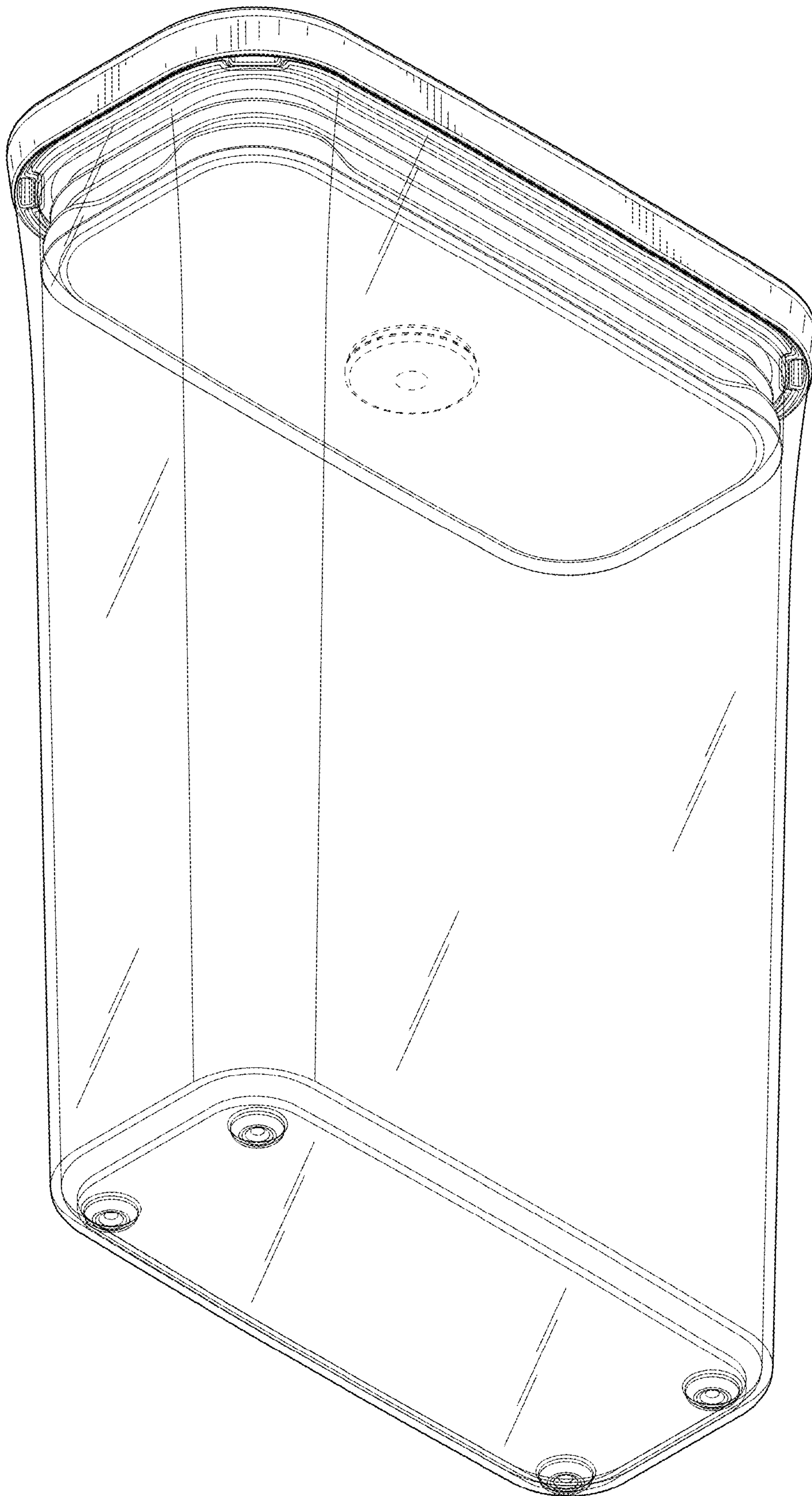


FIG.84

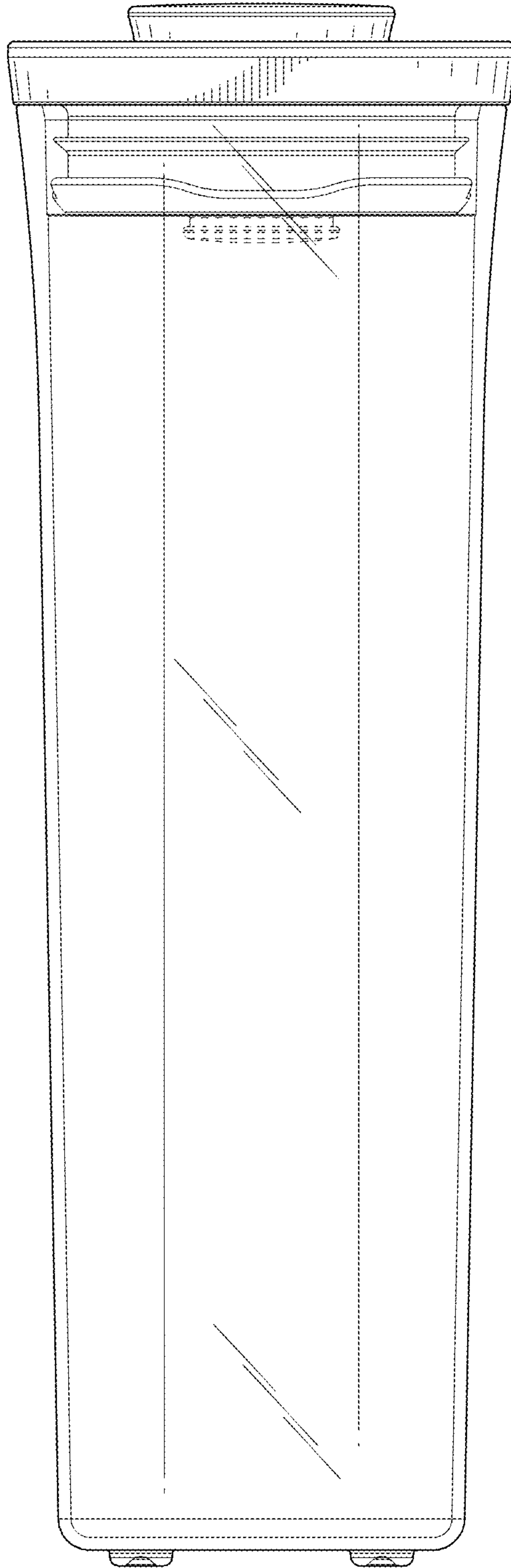


FIG. 85

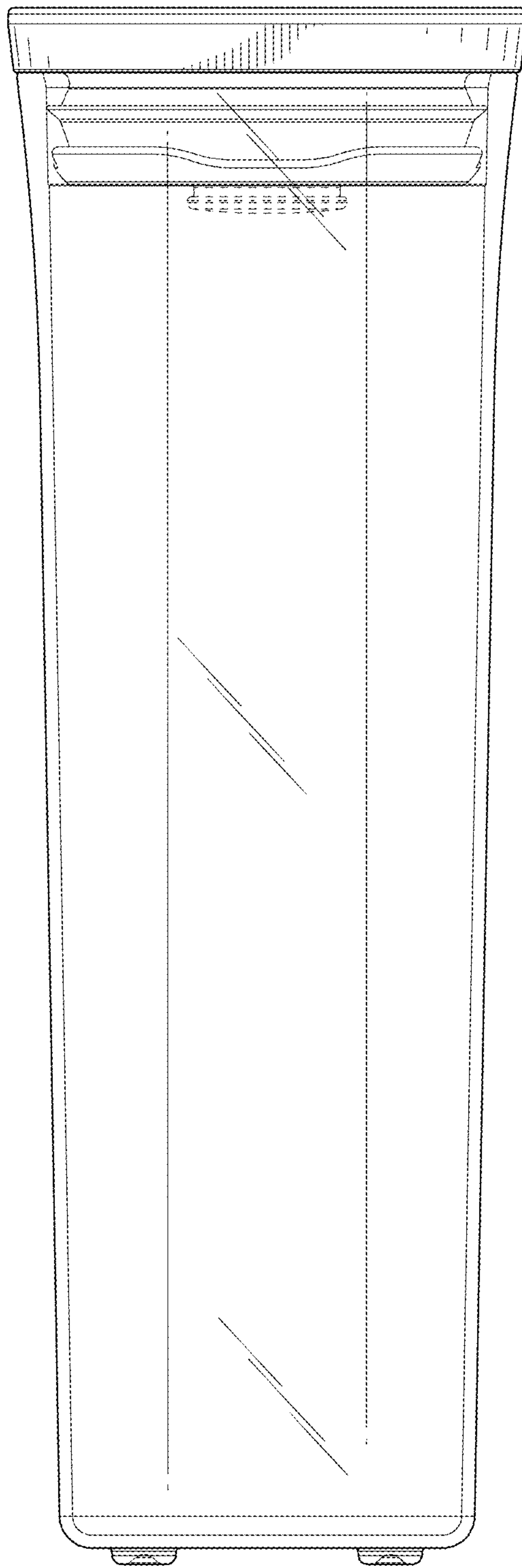


FIG. 86

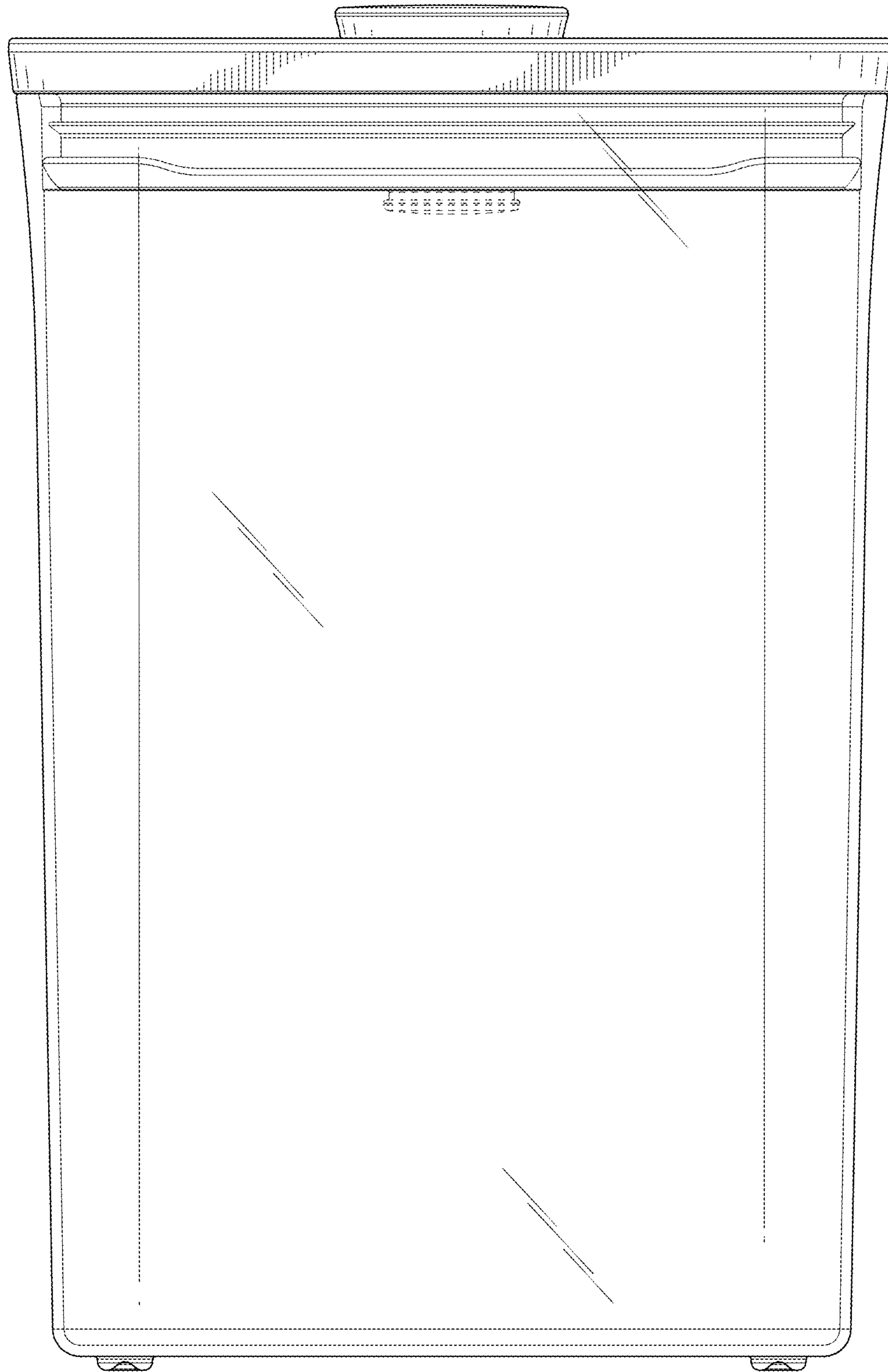


FIG.87

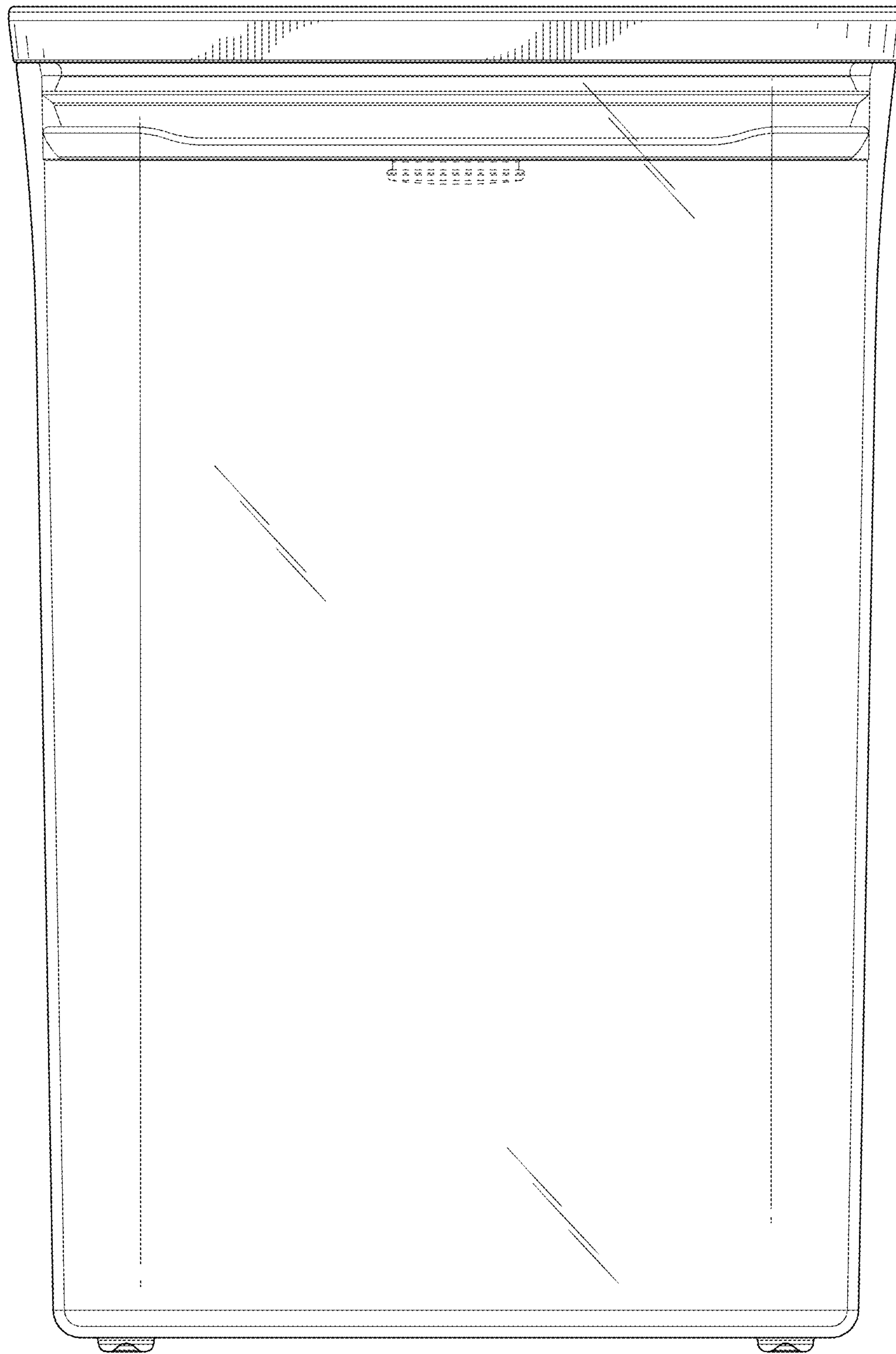


FIG. 88



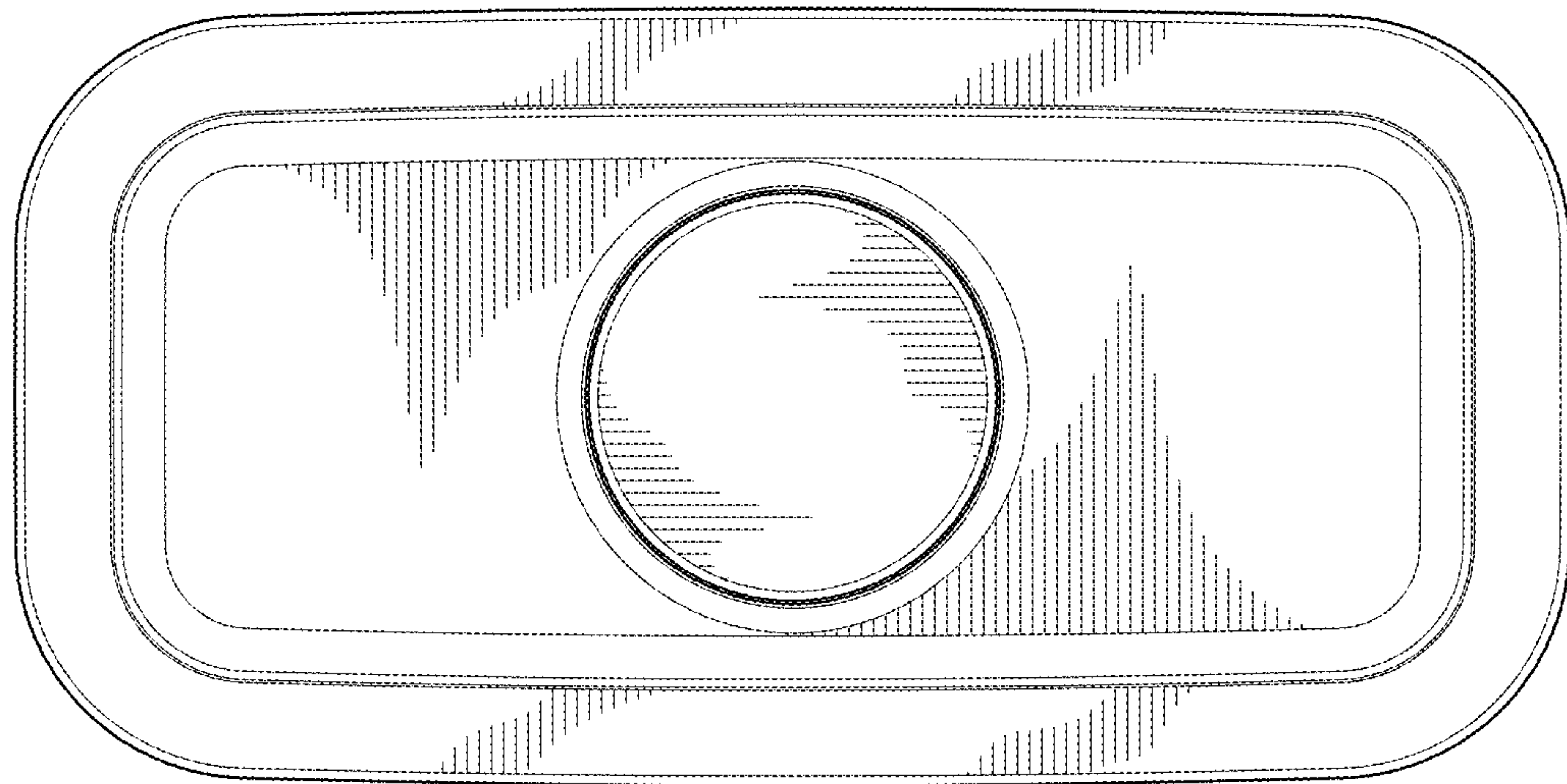


FIG. 89

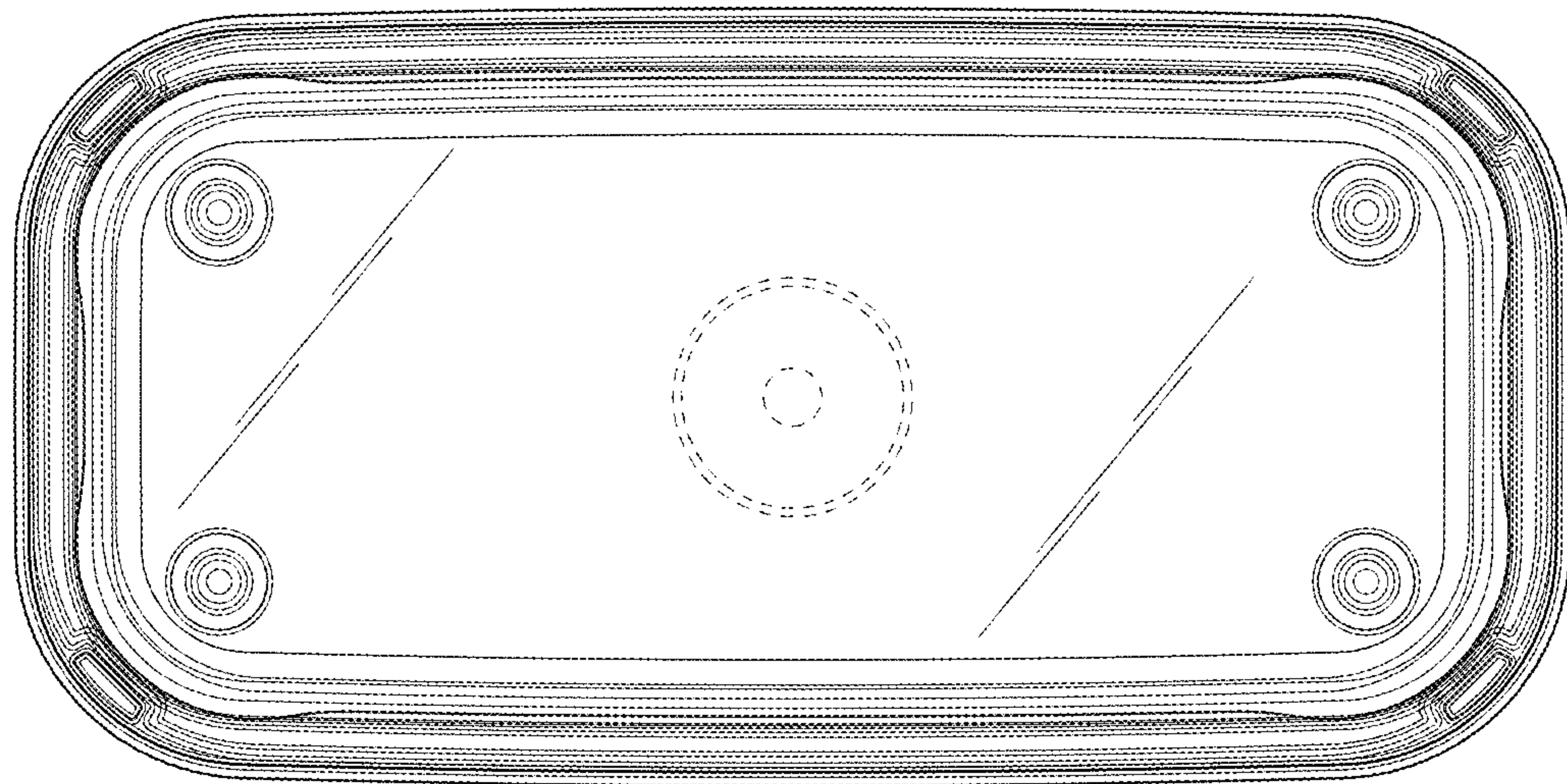


FIG. 90

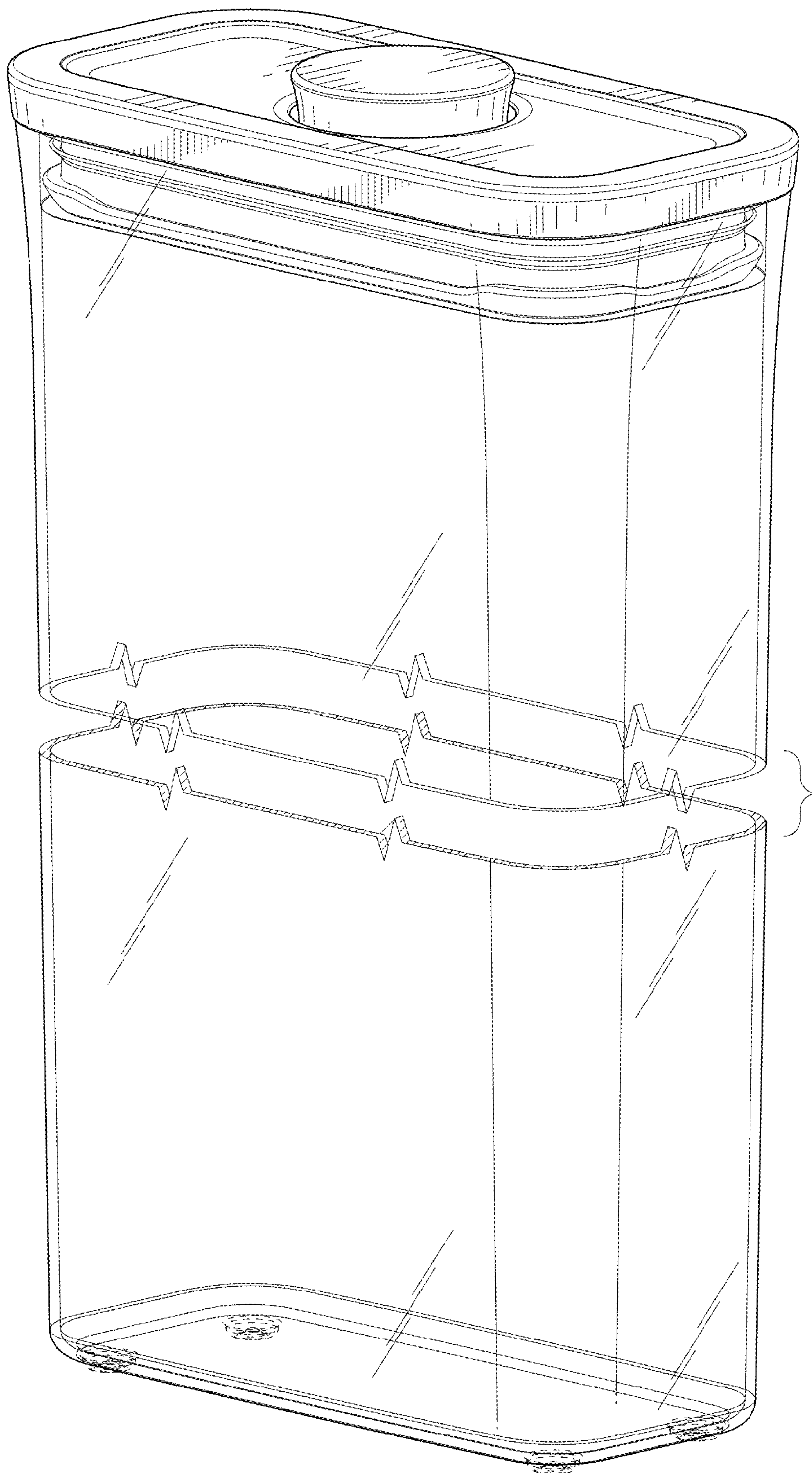


FIG. 91

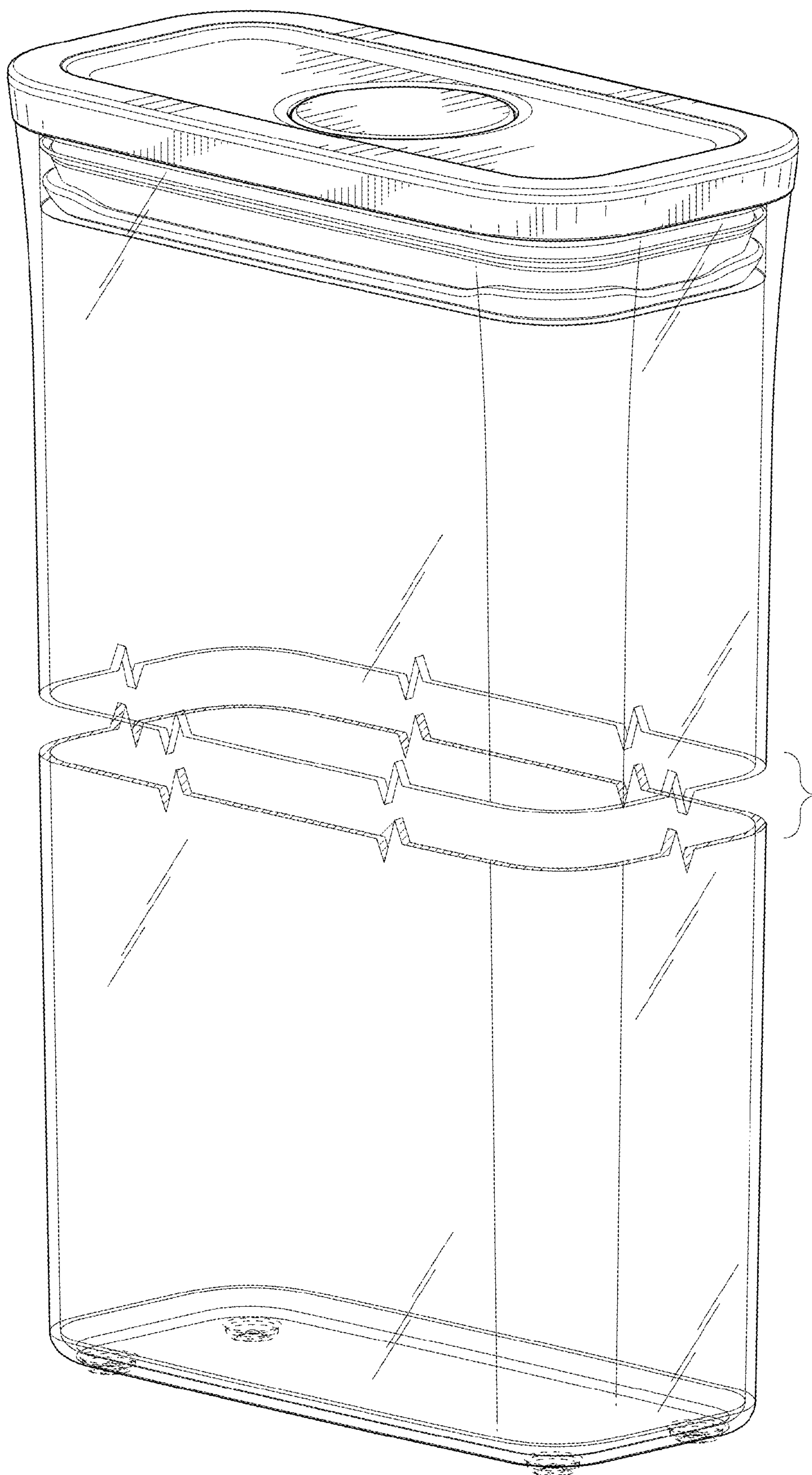


FIG.92



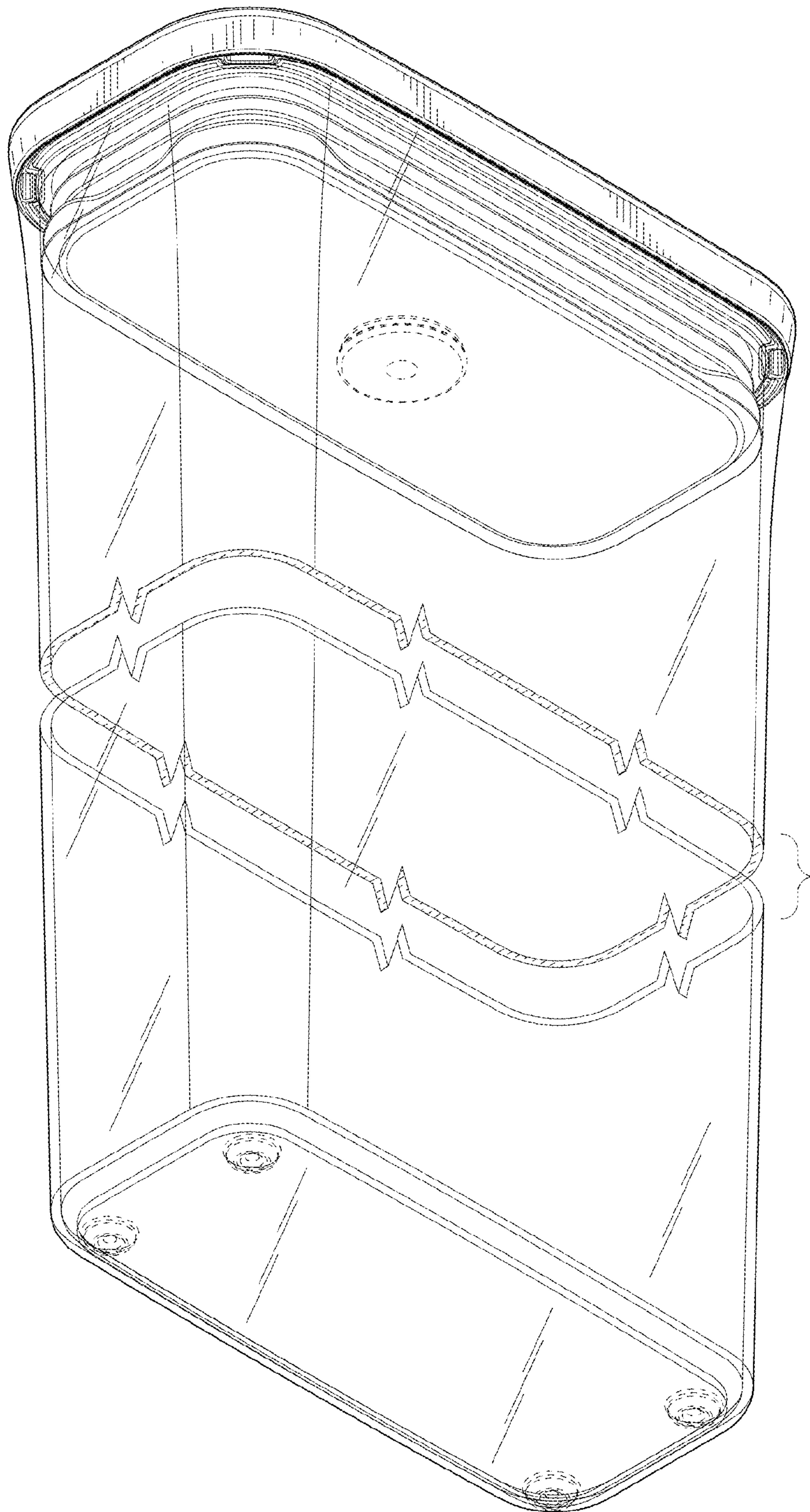


FIG. 93



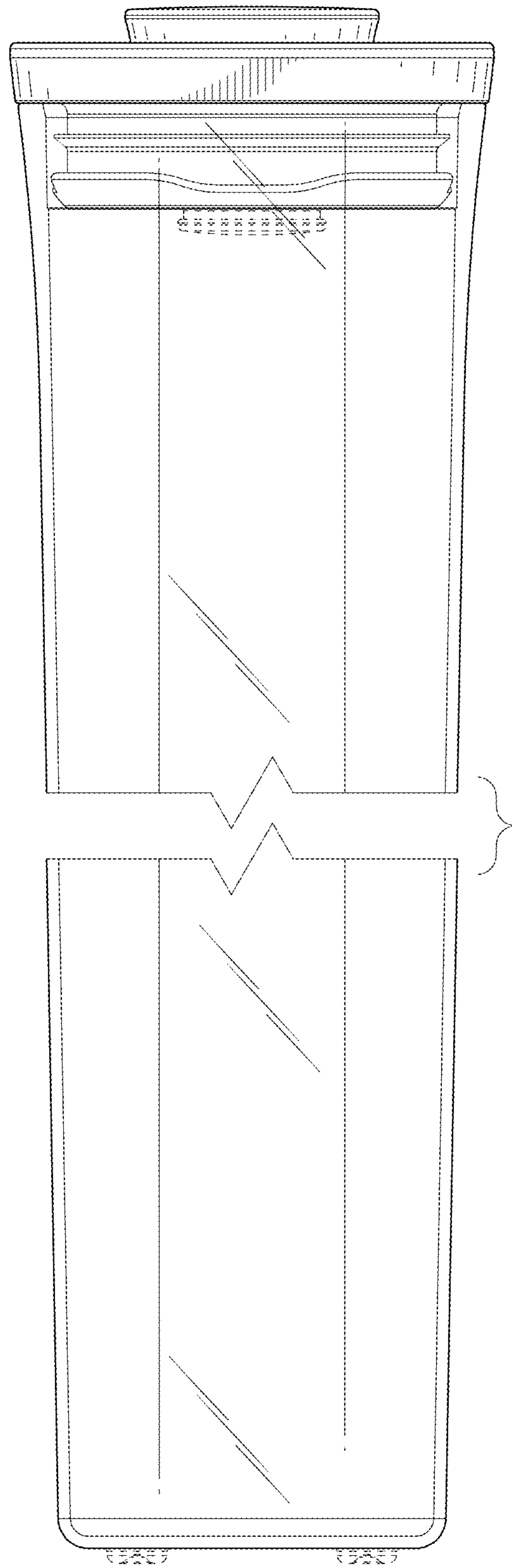


FIG. 94

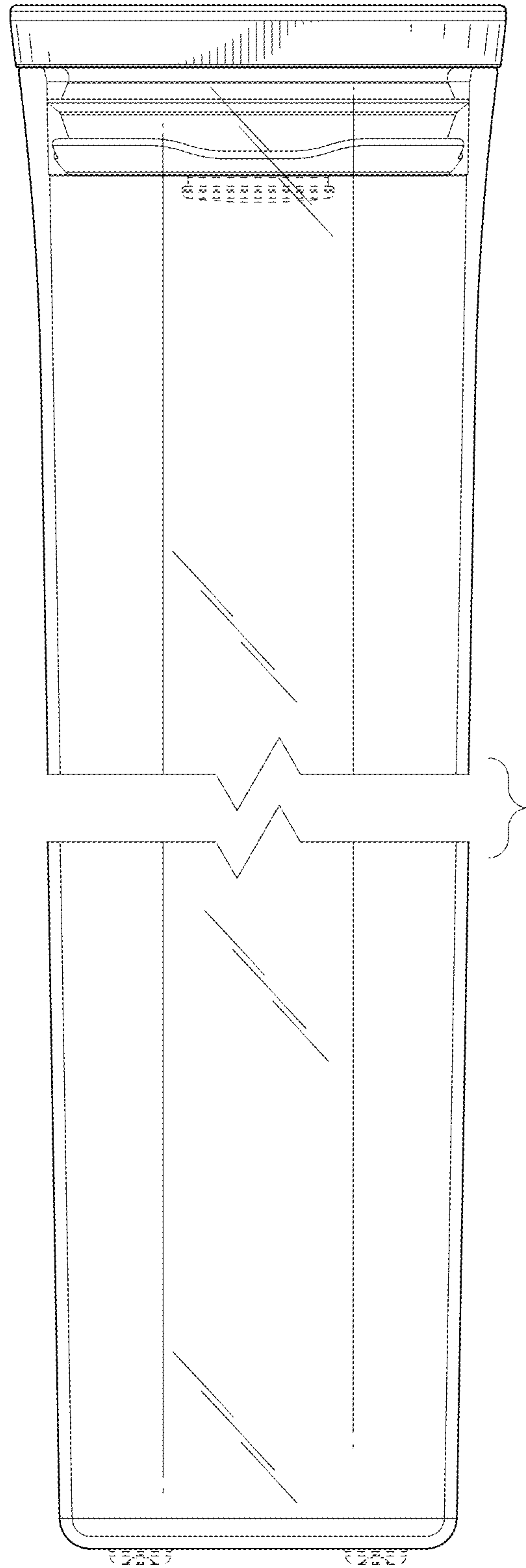


FIG. 95

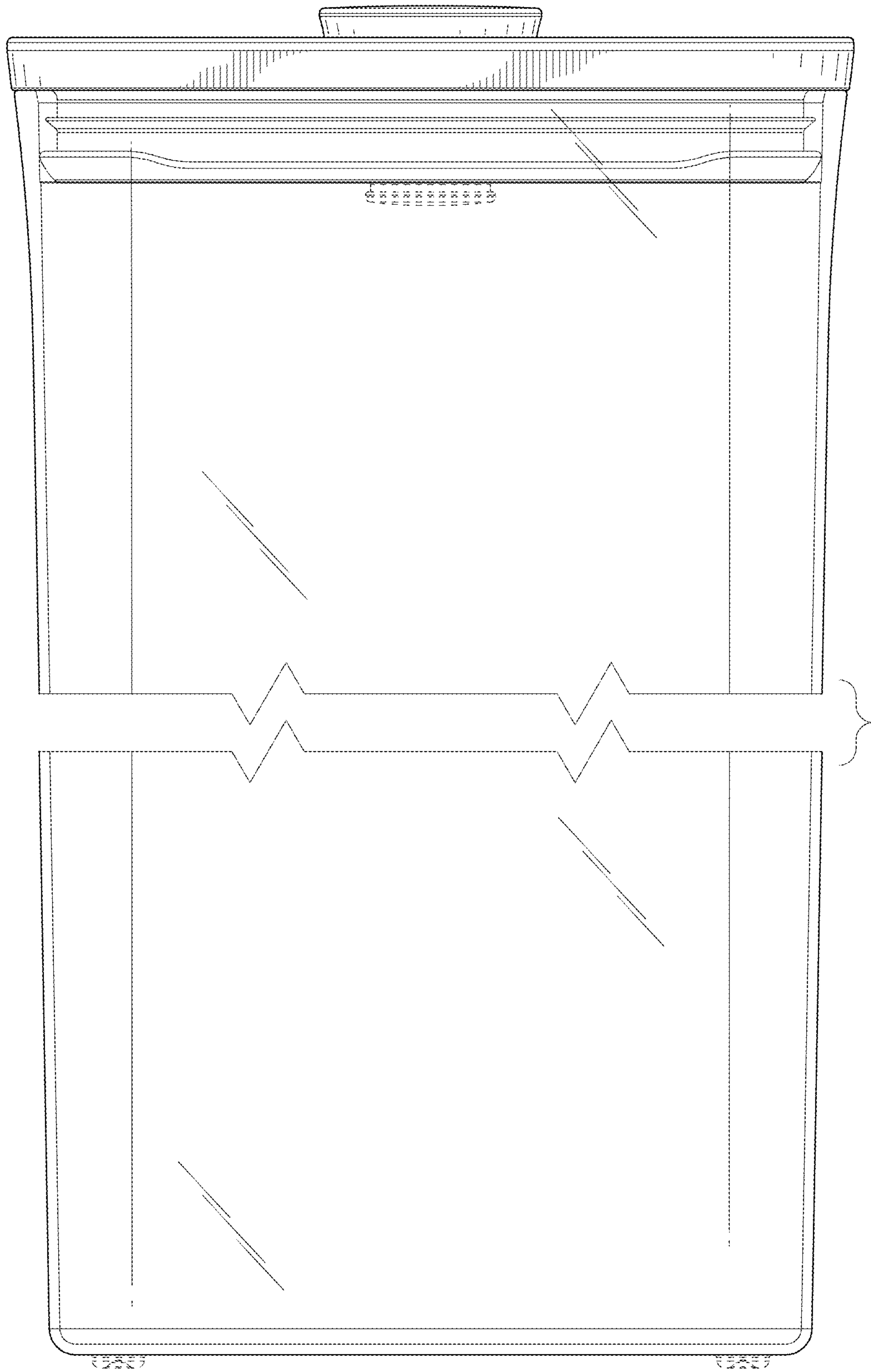


FIG. 96

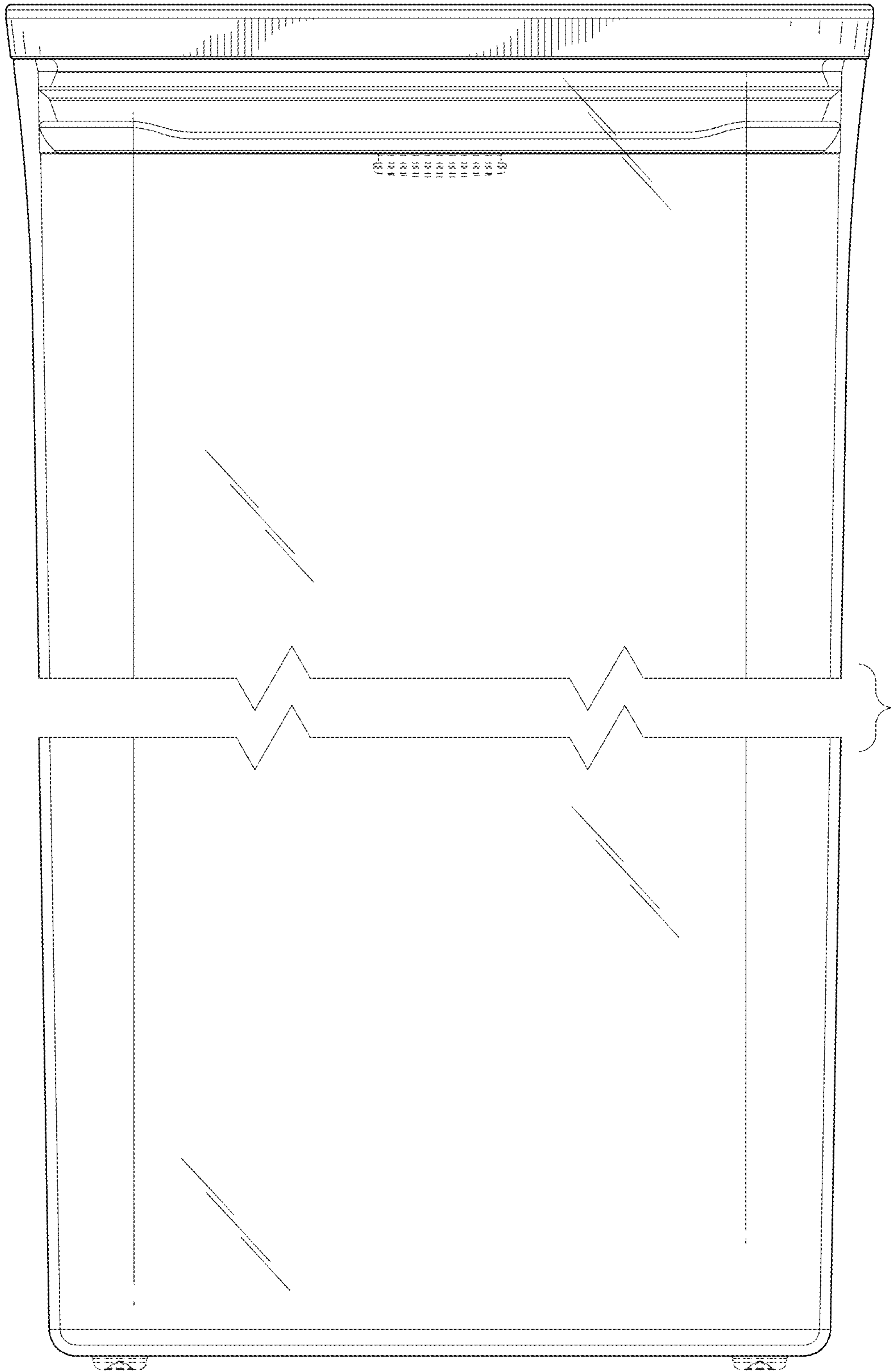


FIG.97

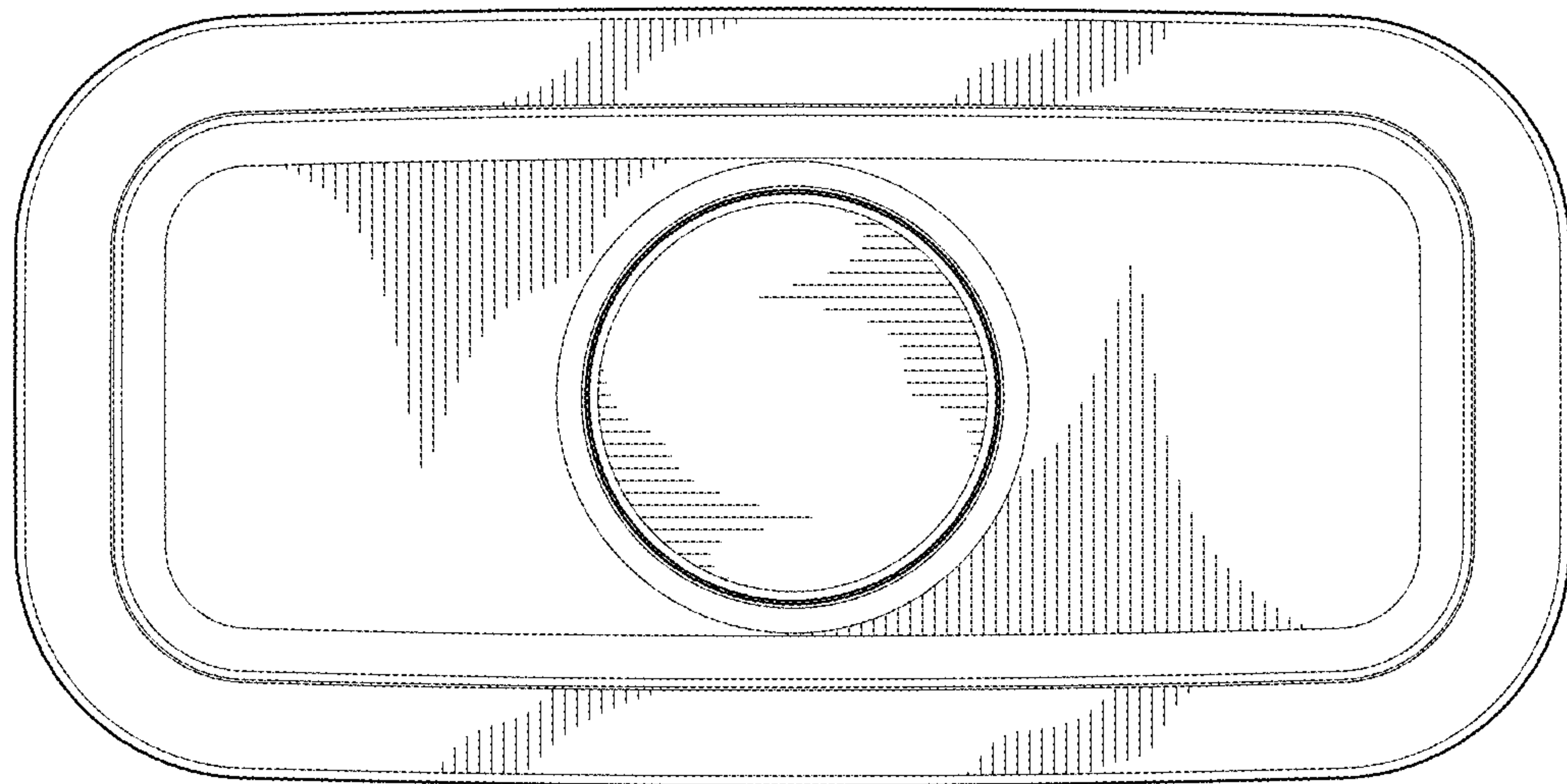


FIG. 98



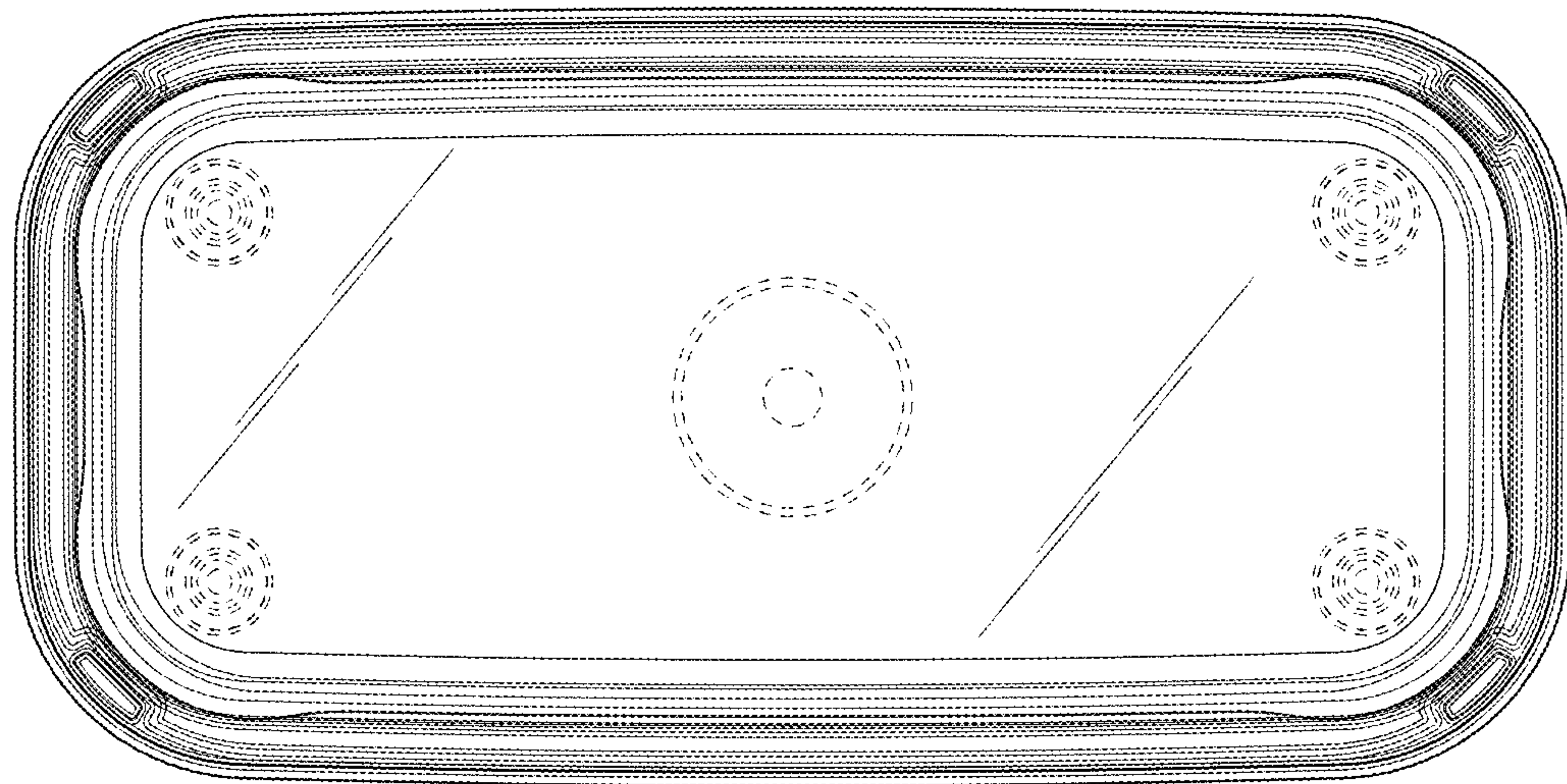


FIG. 99

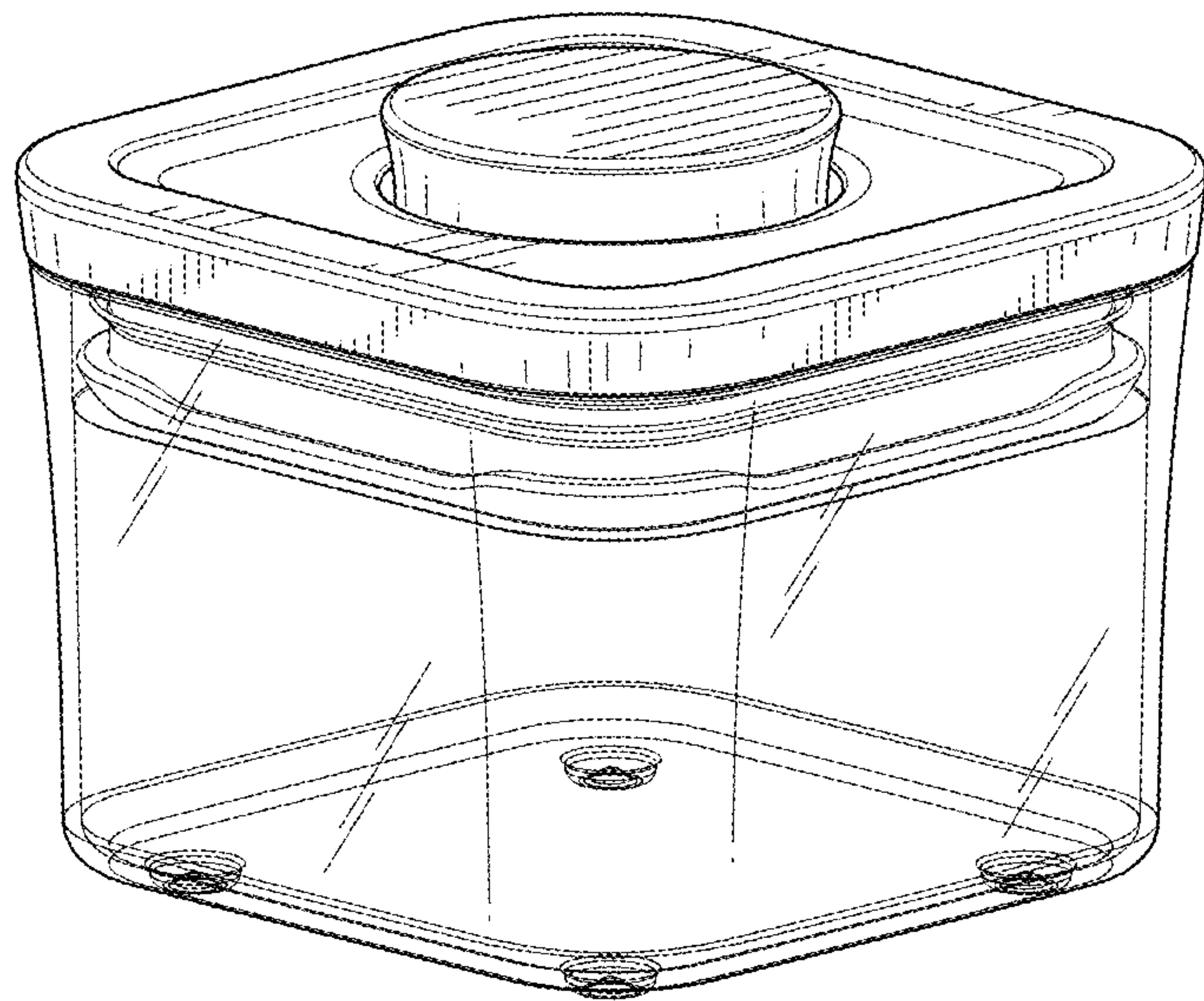


FIG. 100

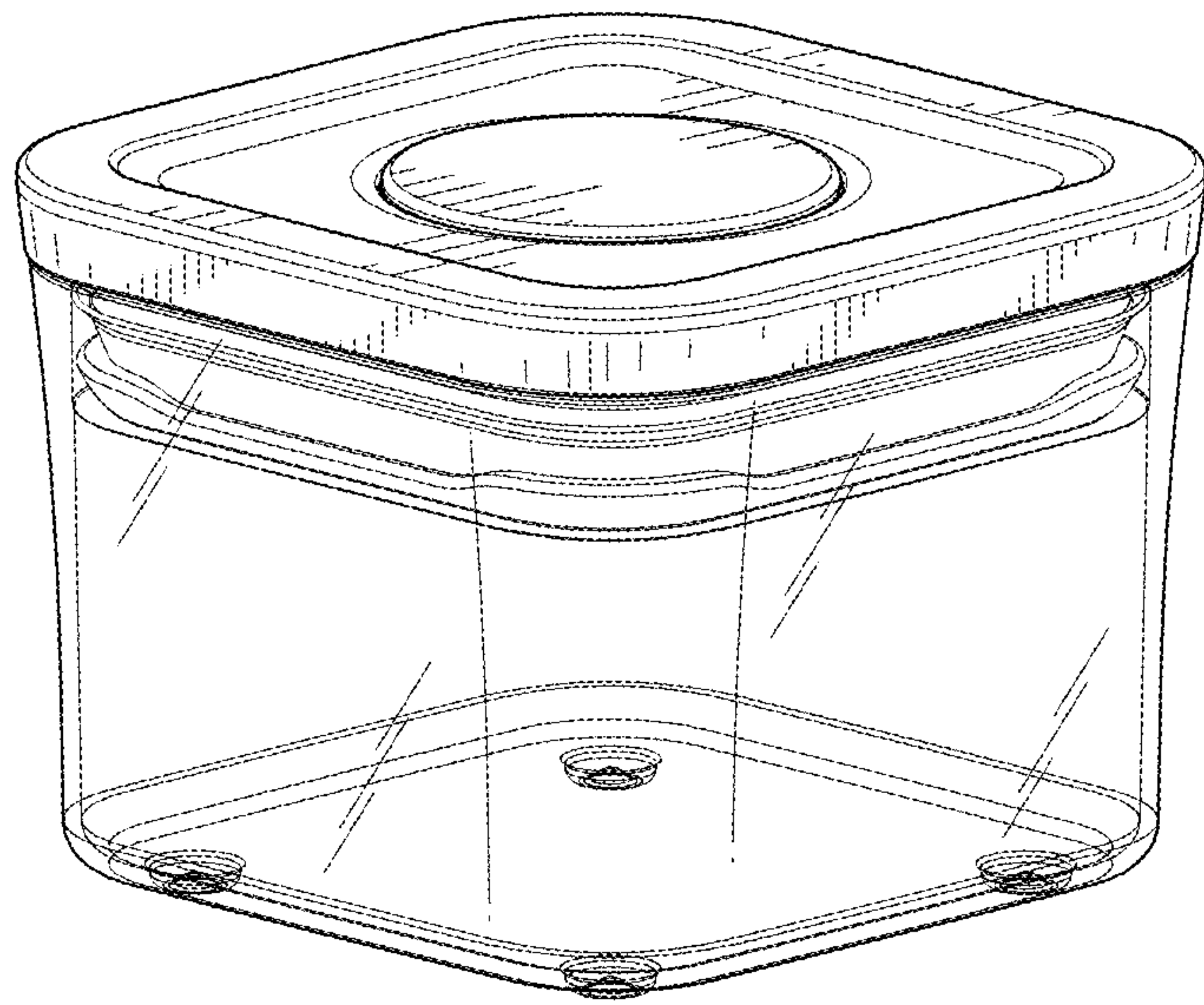


FIG. 101

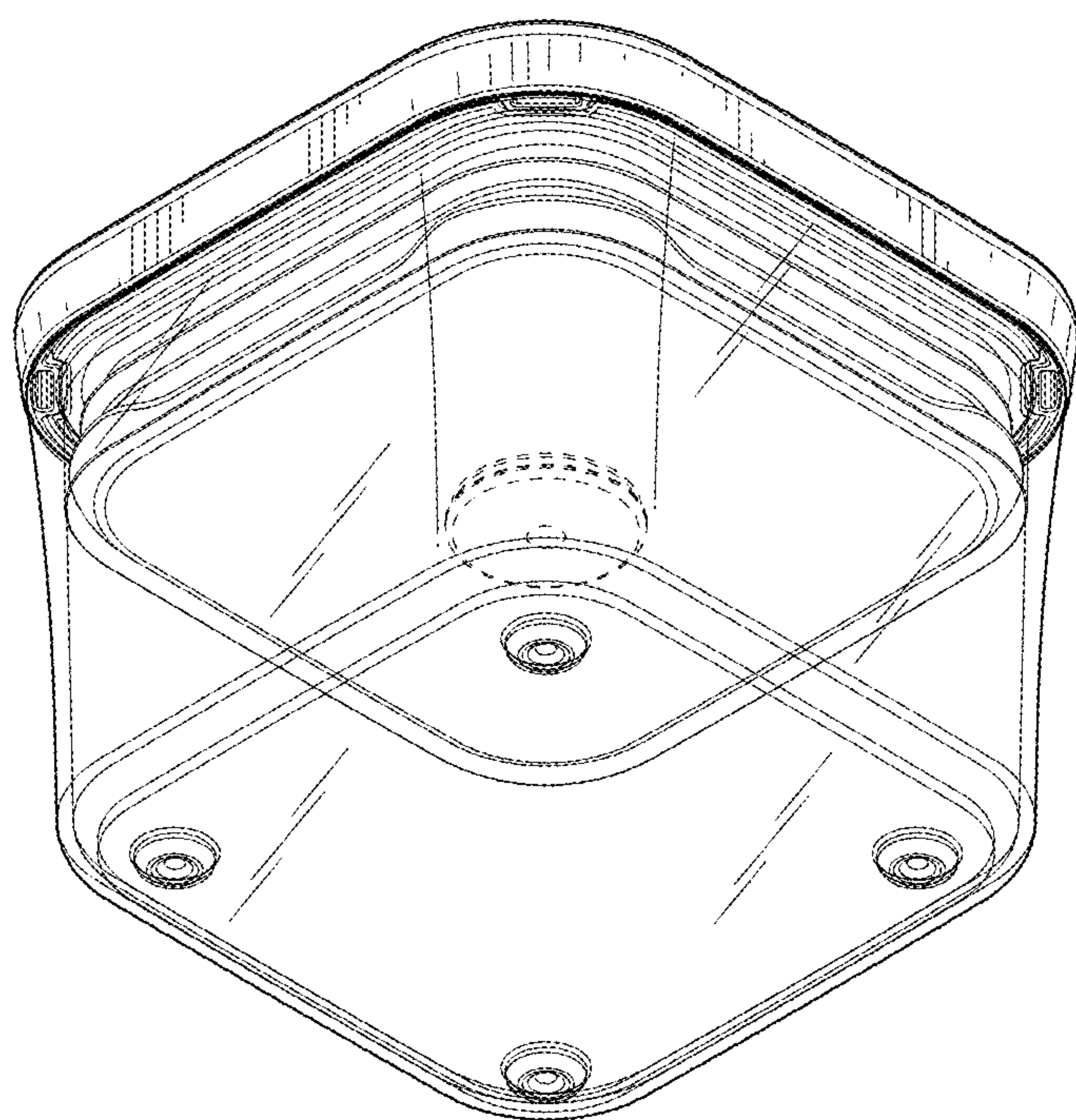


FIG. 102

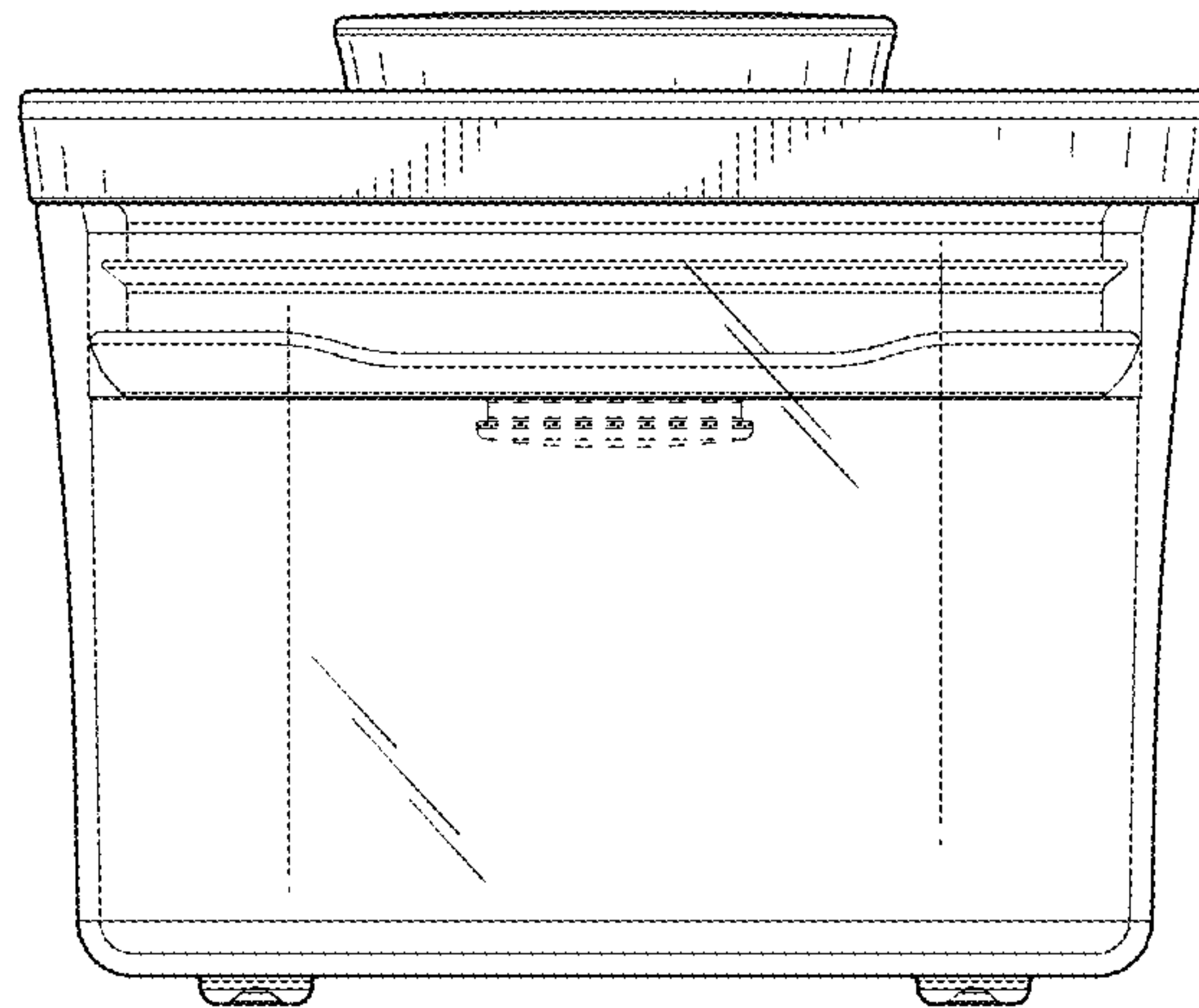


FIG. 103



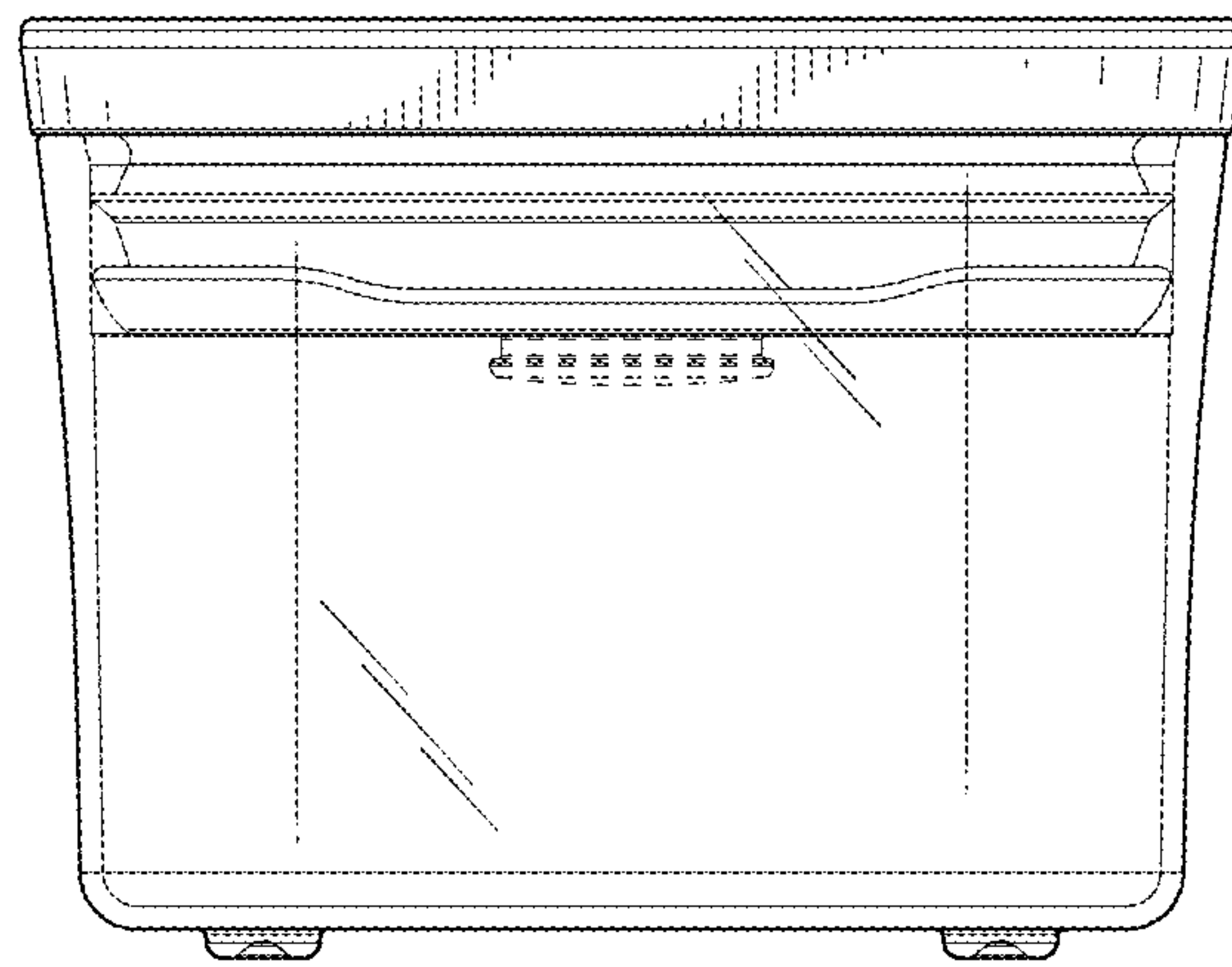


FIG. 104

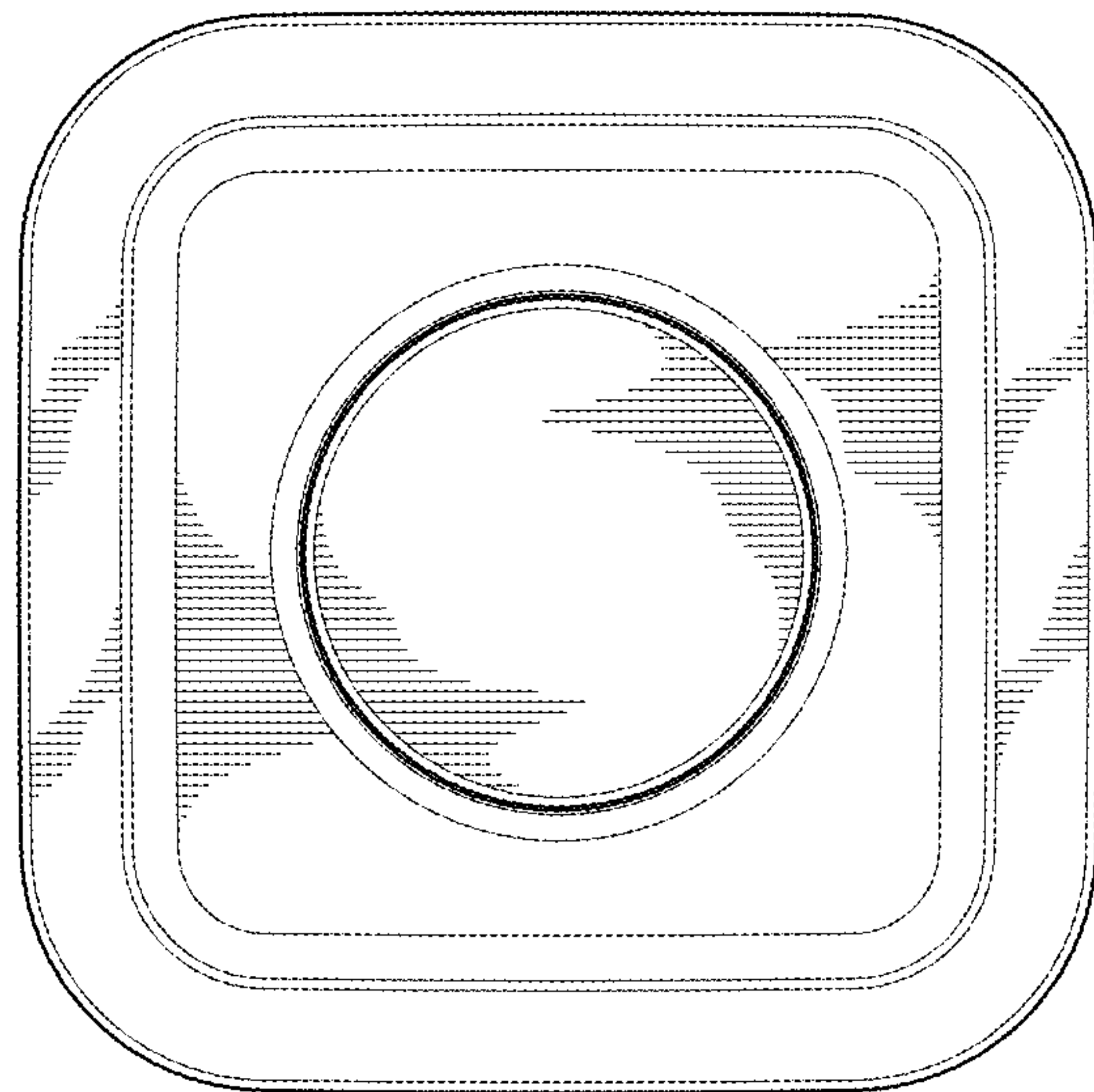


FIG. 105

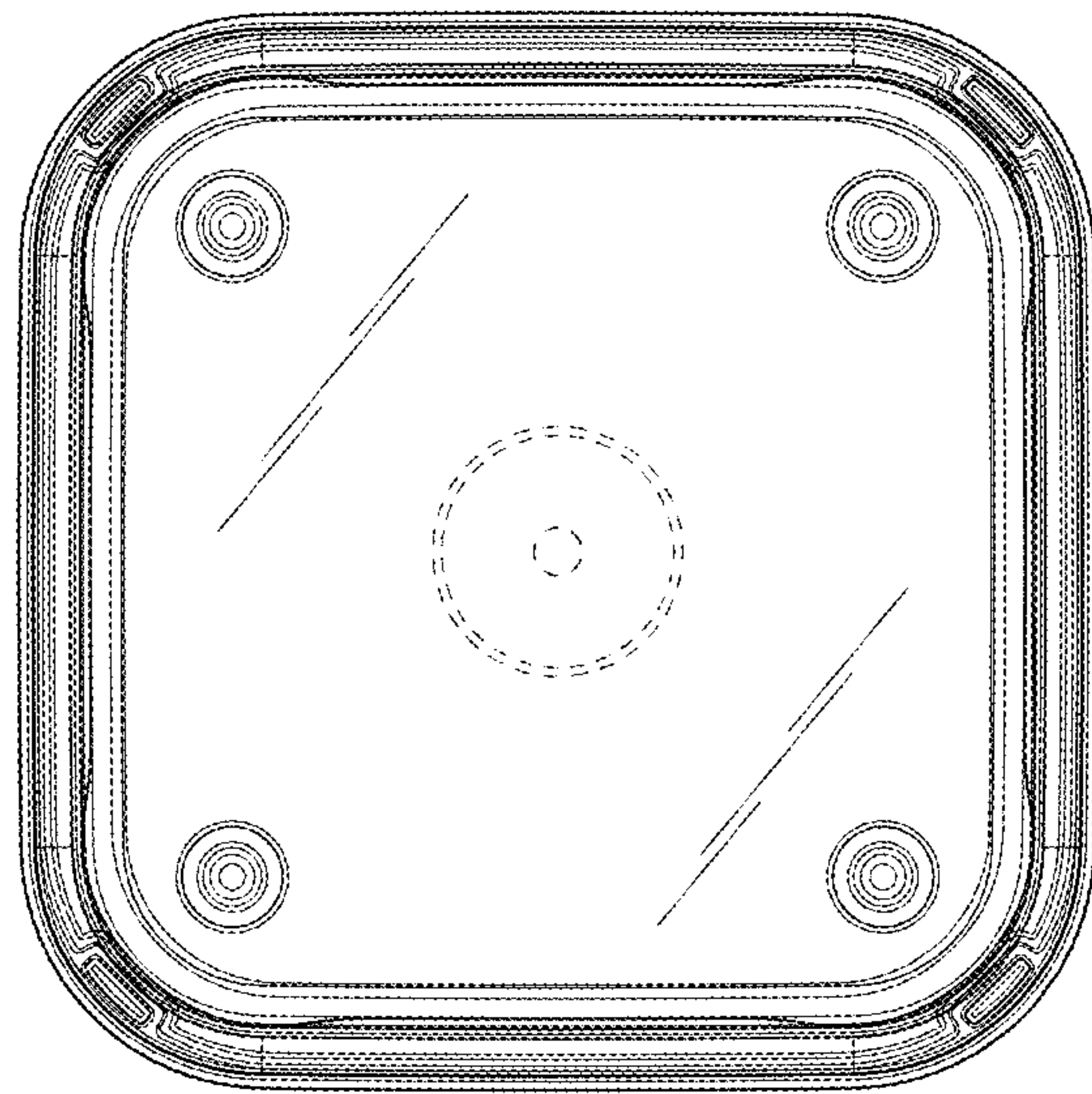


FIG. 106

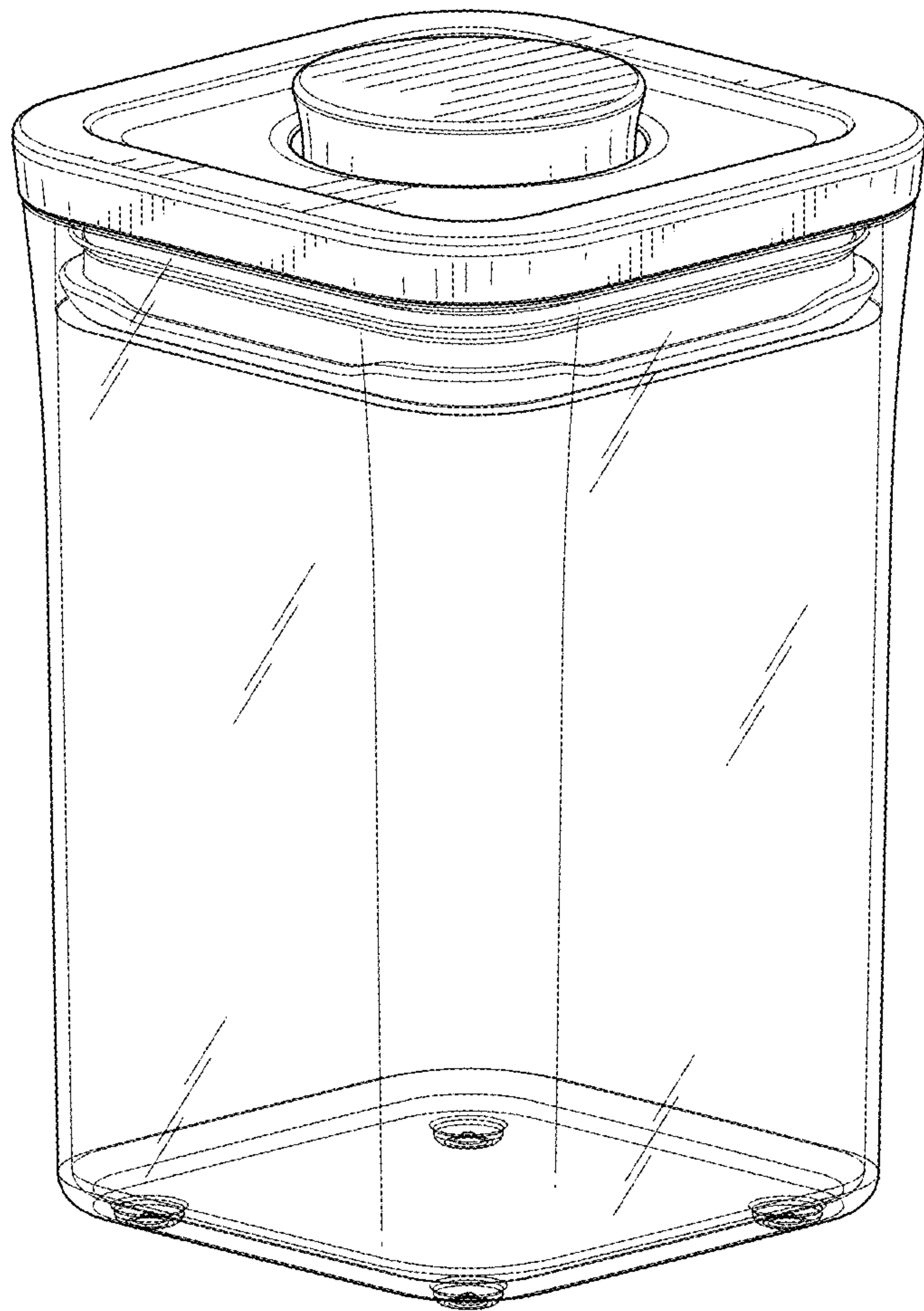


FIG. 107

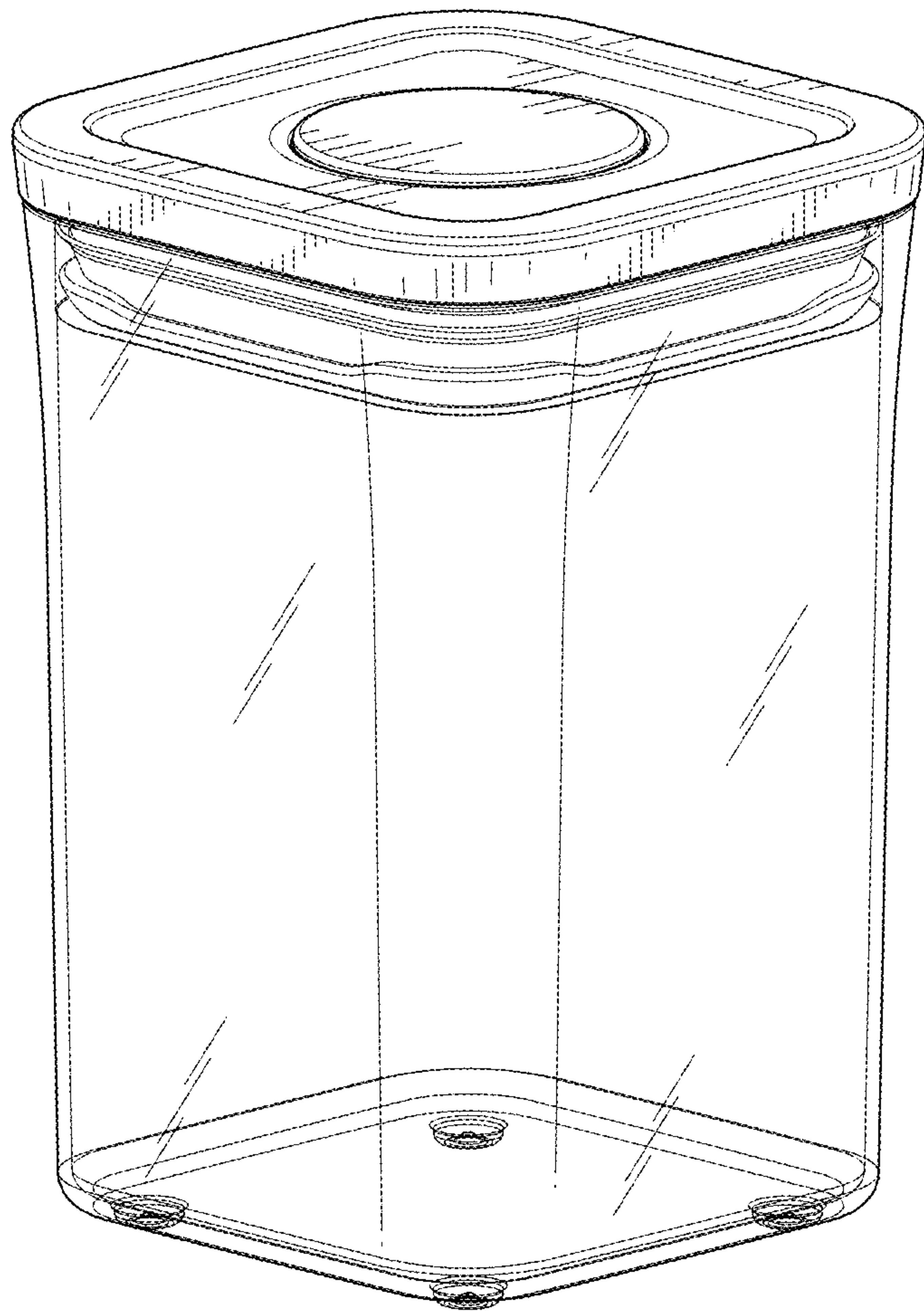


FIG. 108



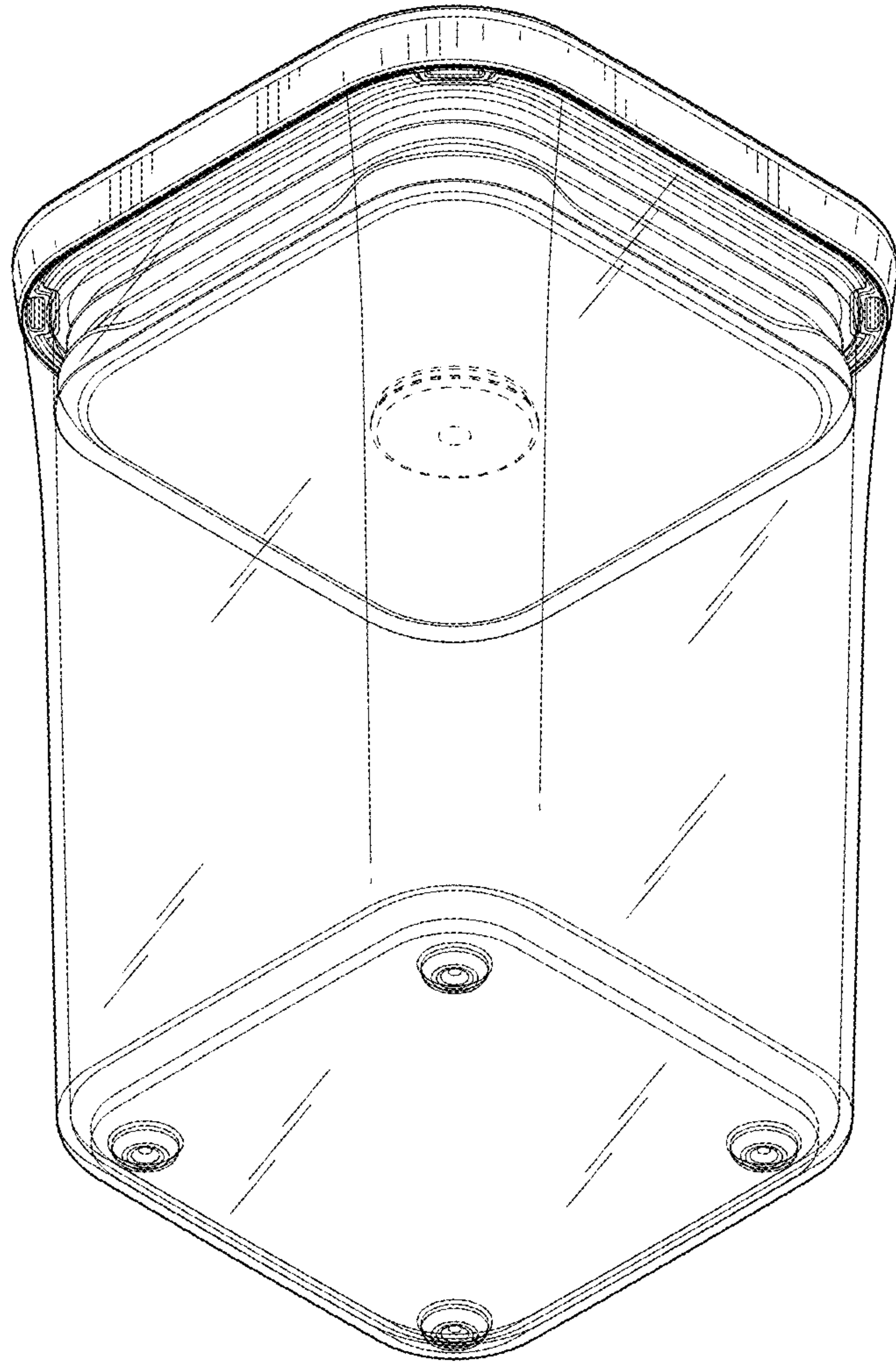


FIG. 109

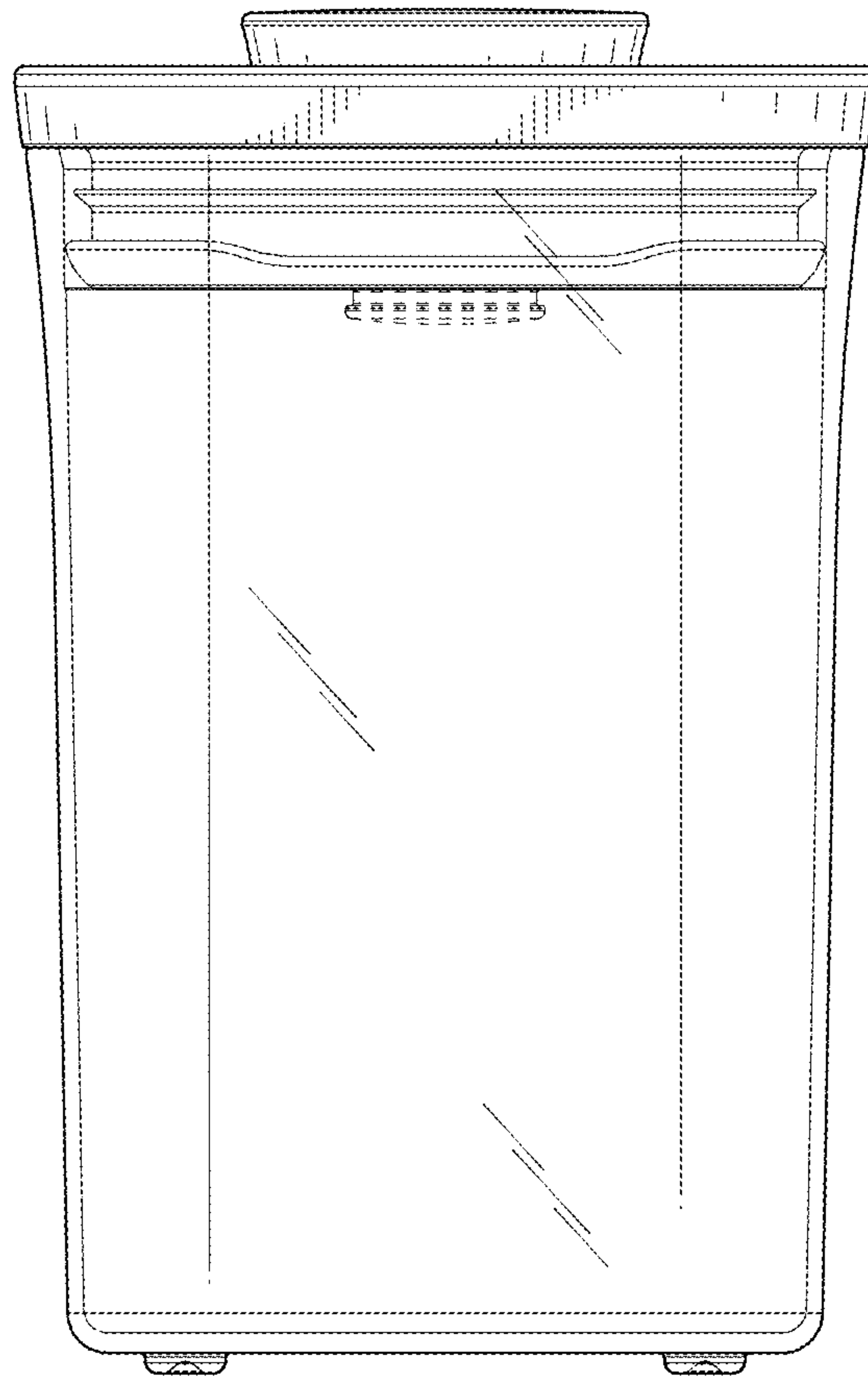


FIG. 110

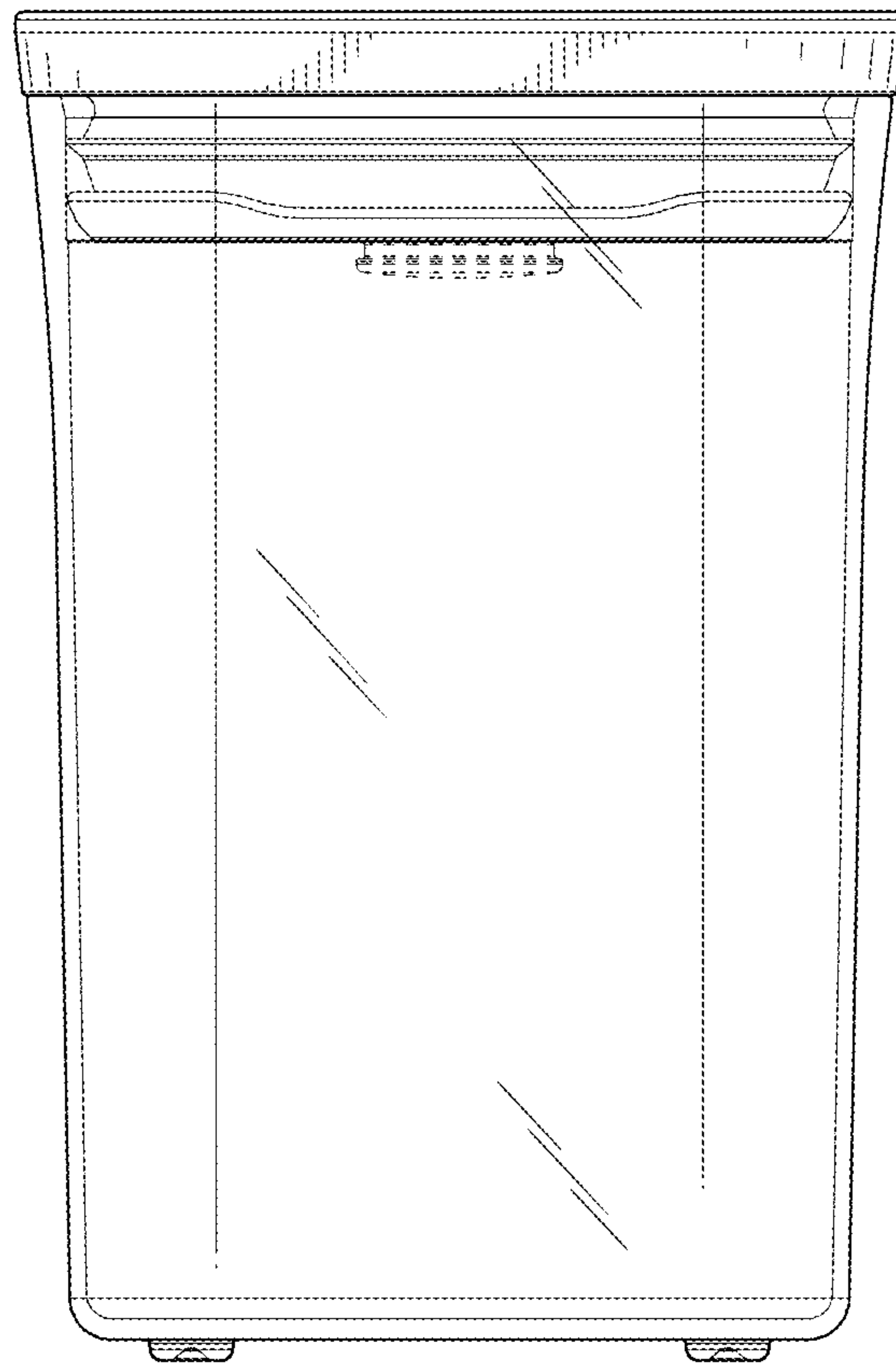


FIG. 111

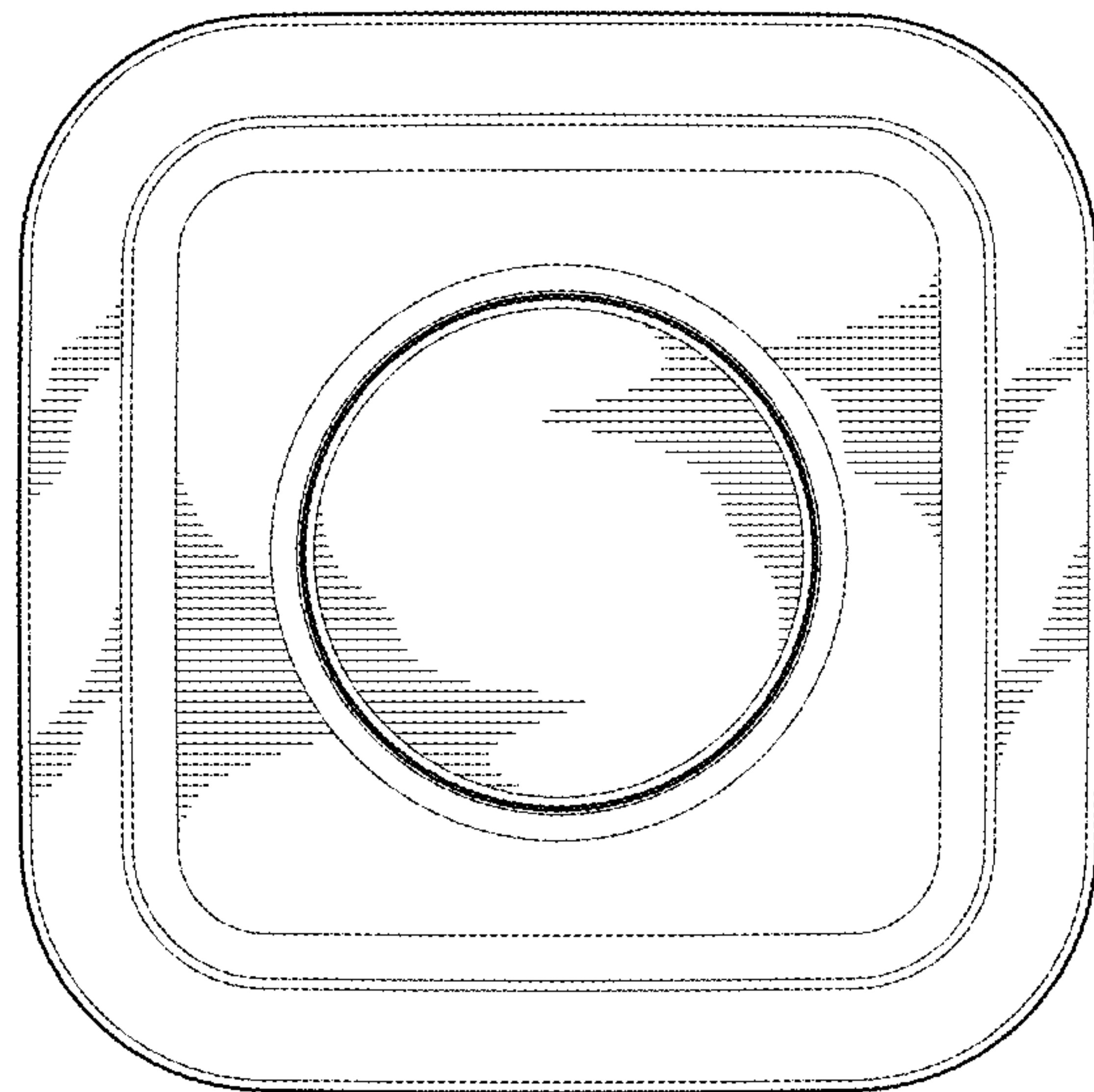


FIG. 112

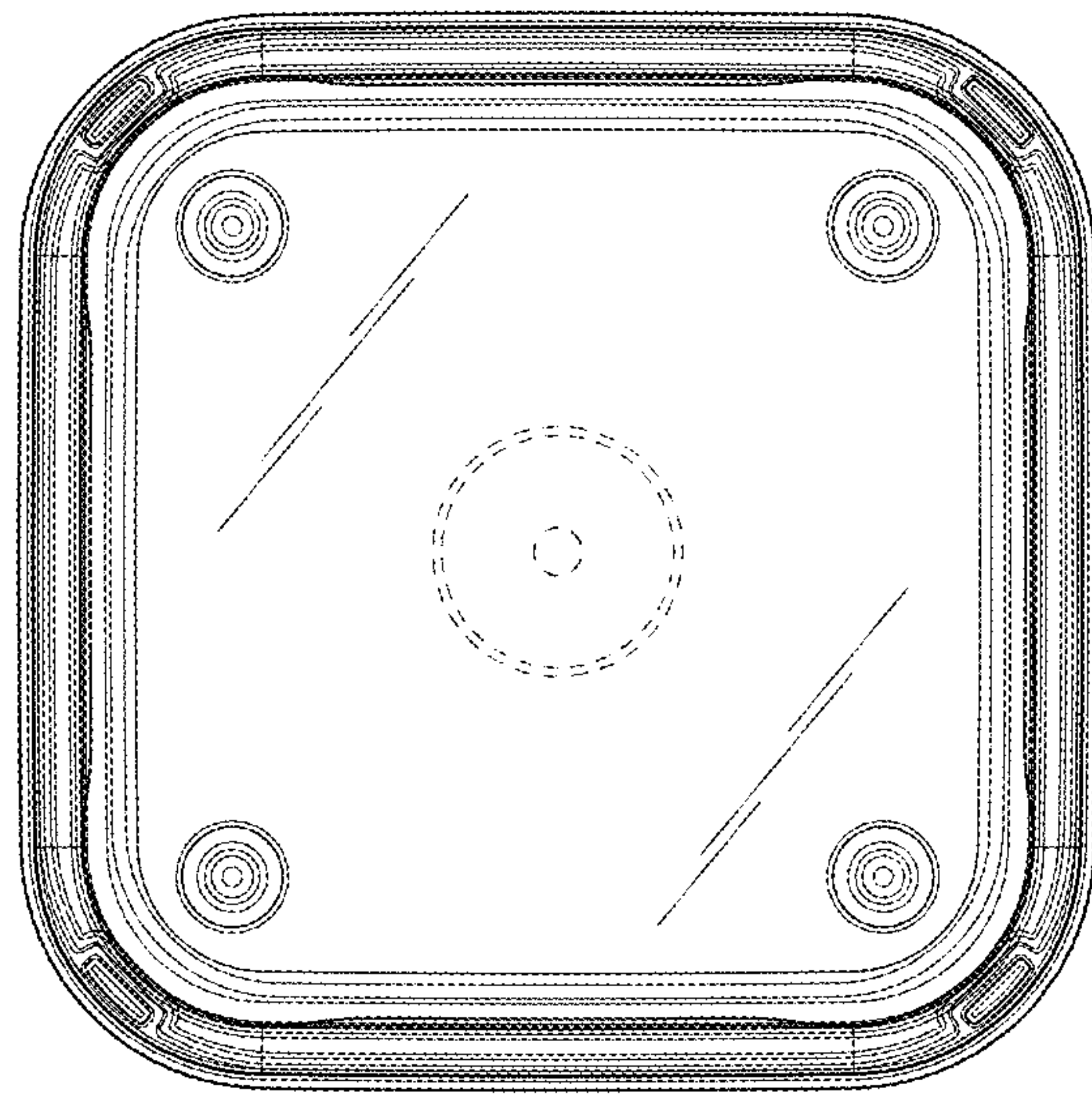


FIG. 113



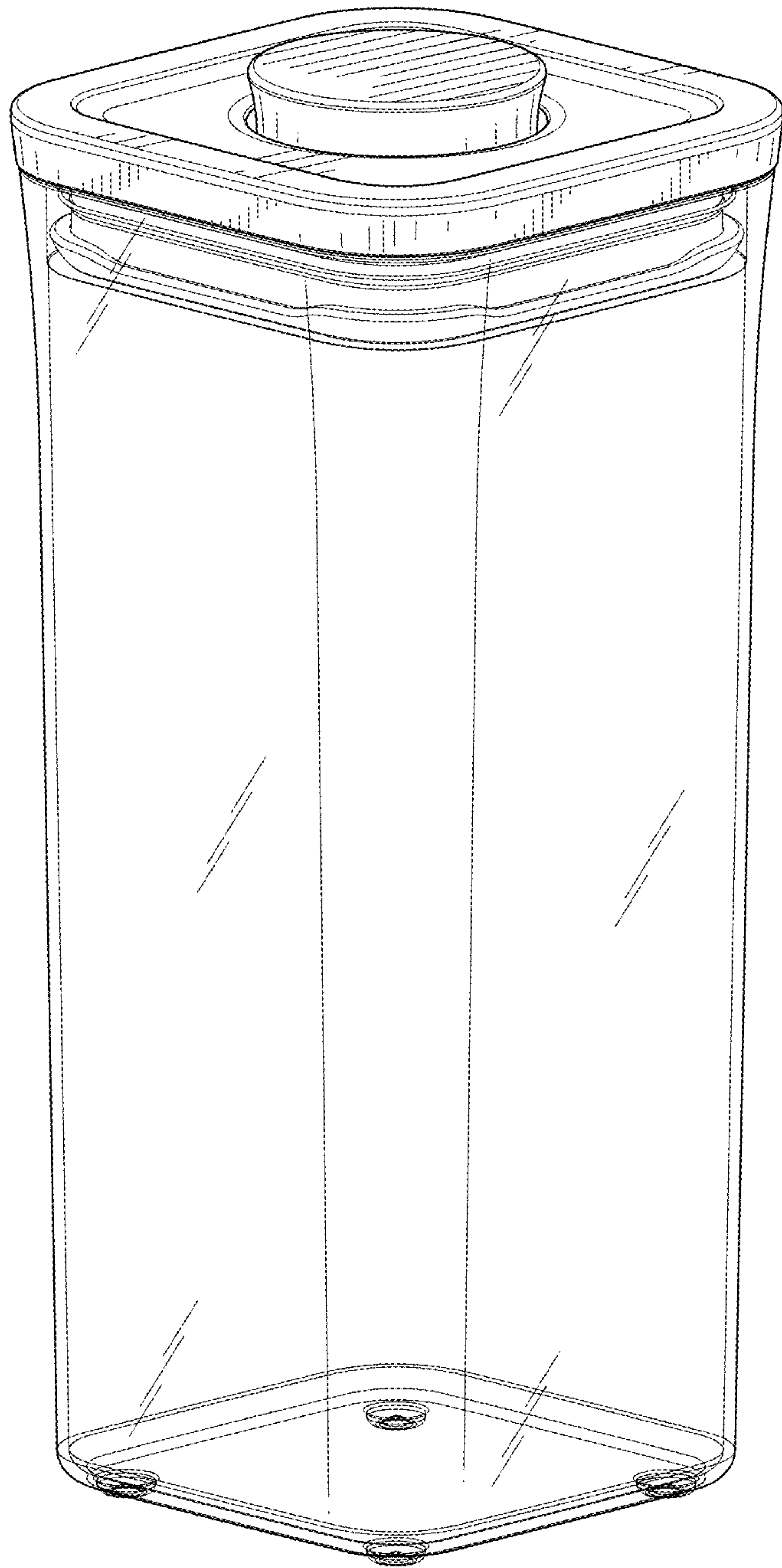


FIG. 114

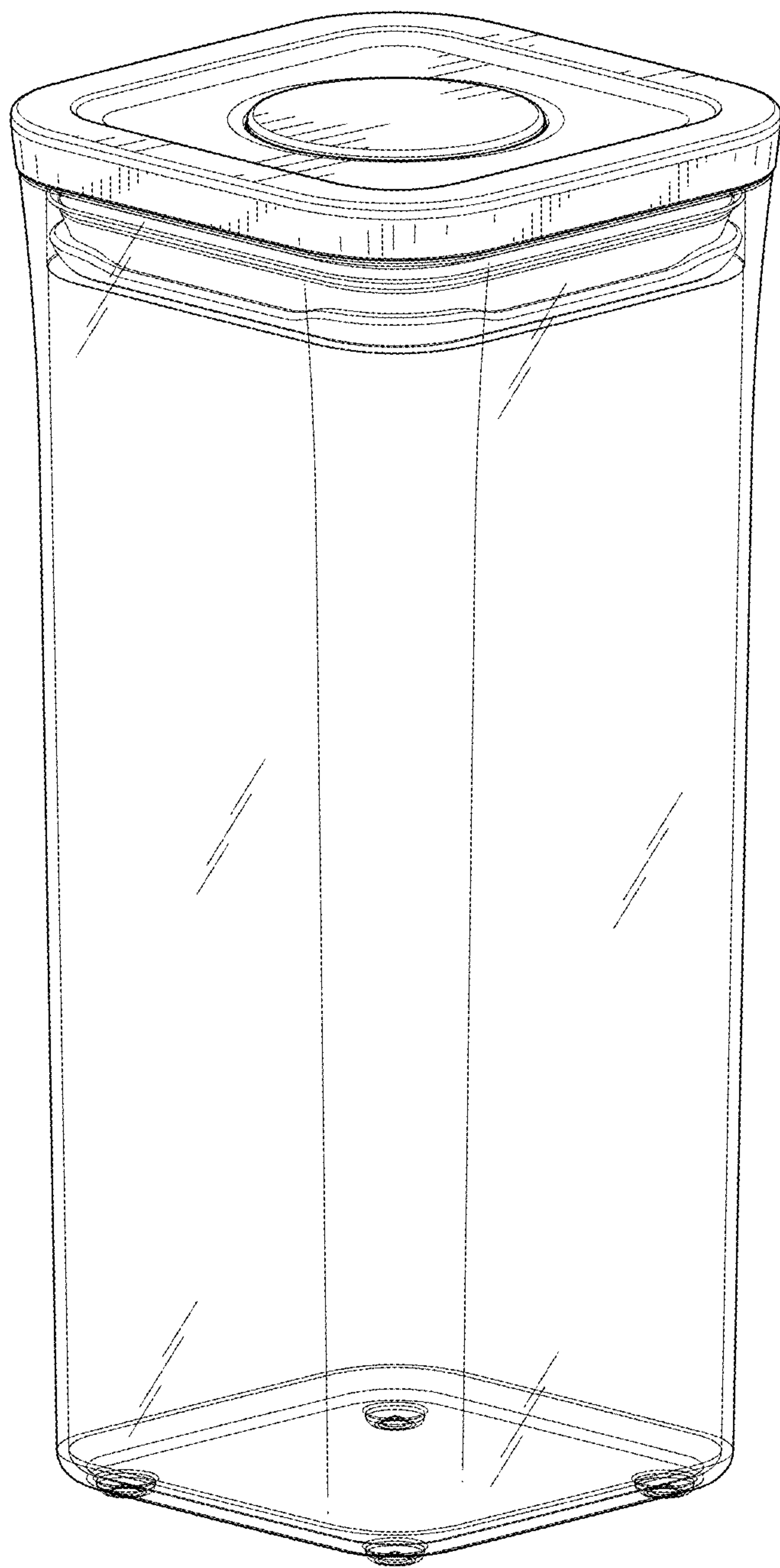


FIG. 115

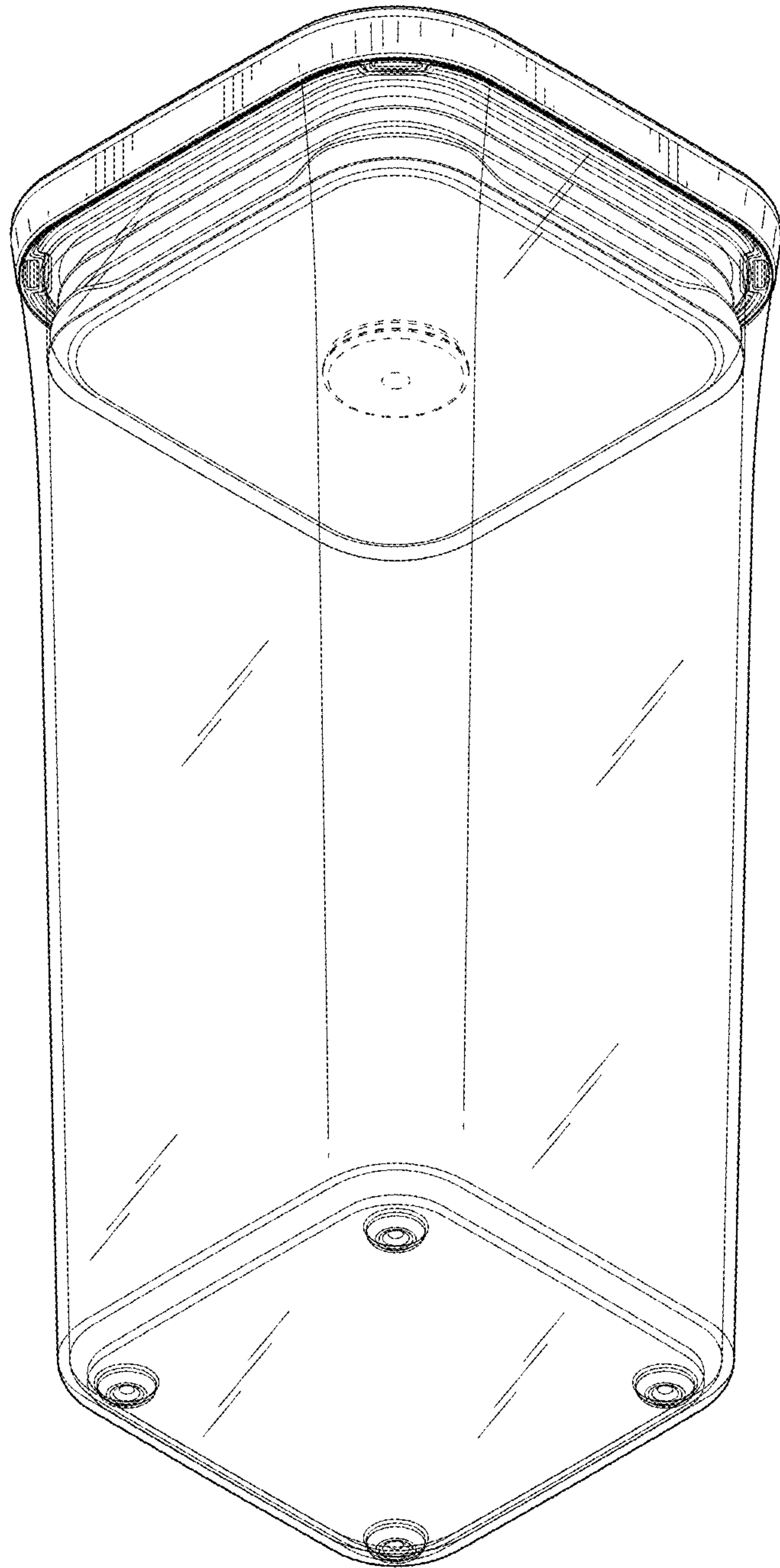


FIG. 116

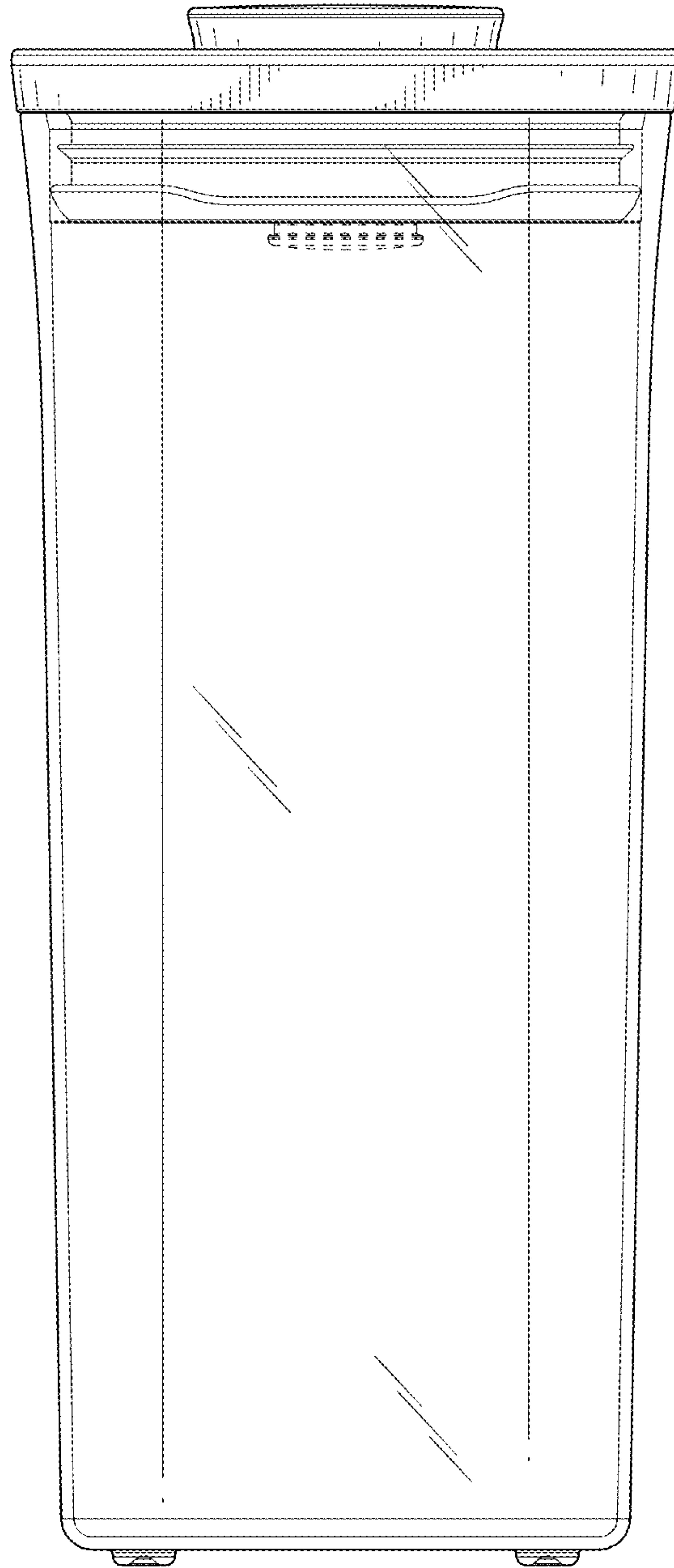


FIG. 117

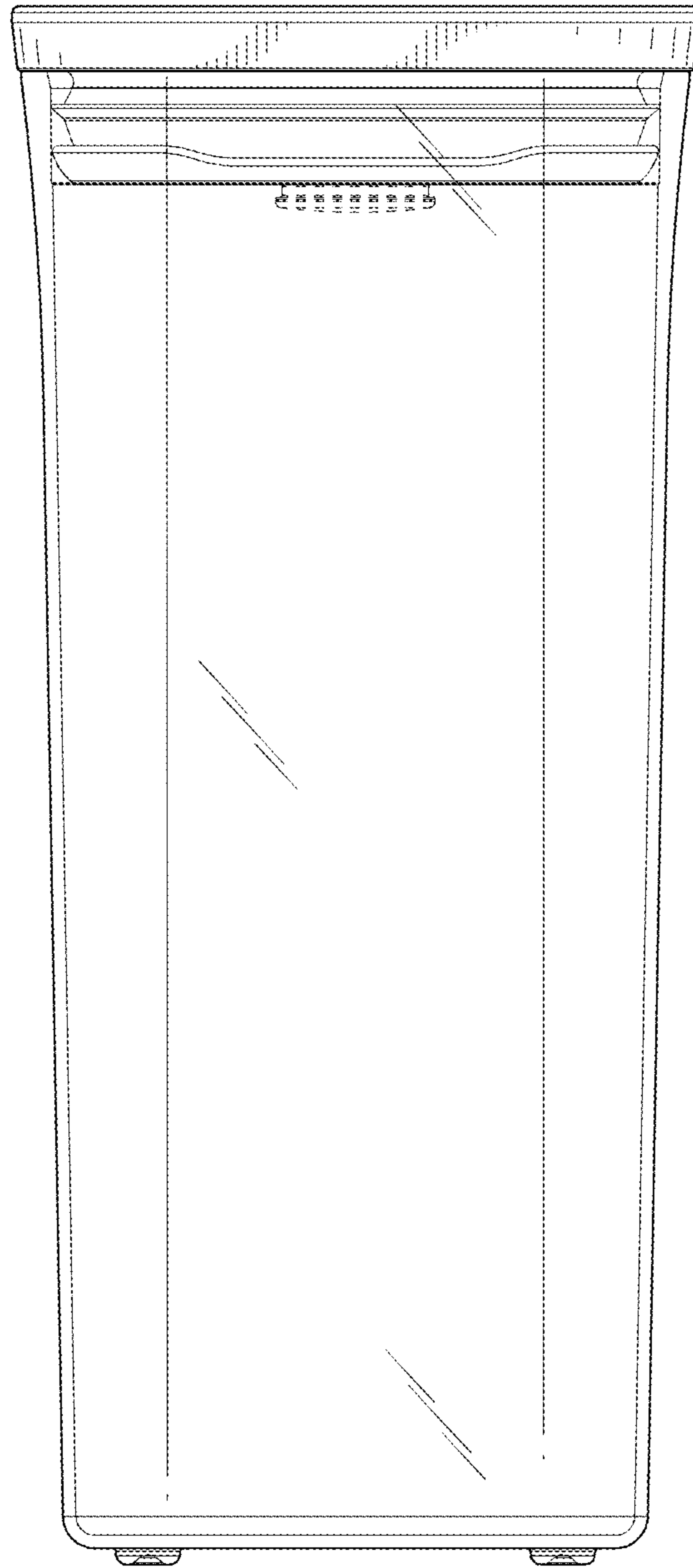


FIG. 118



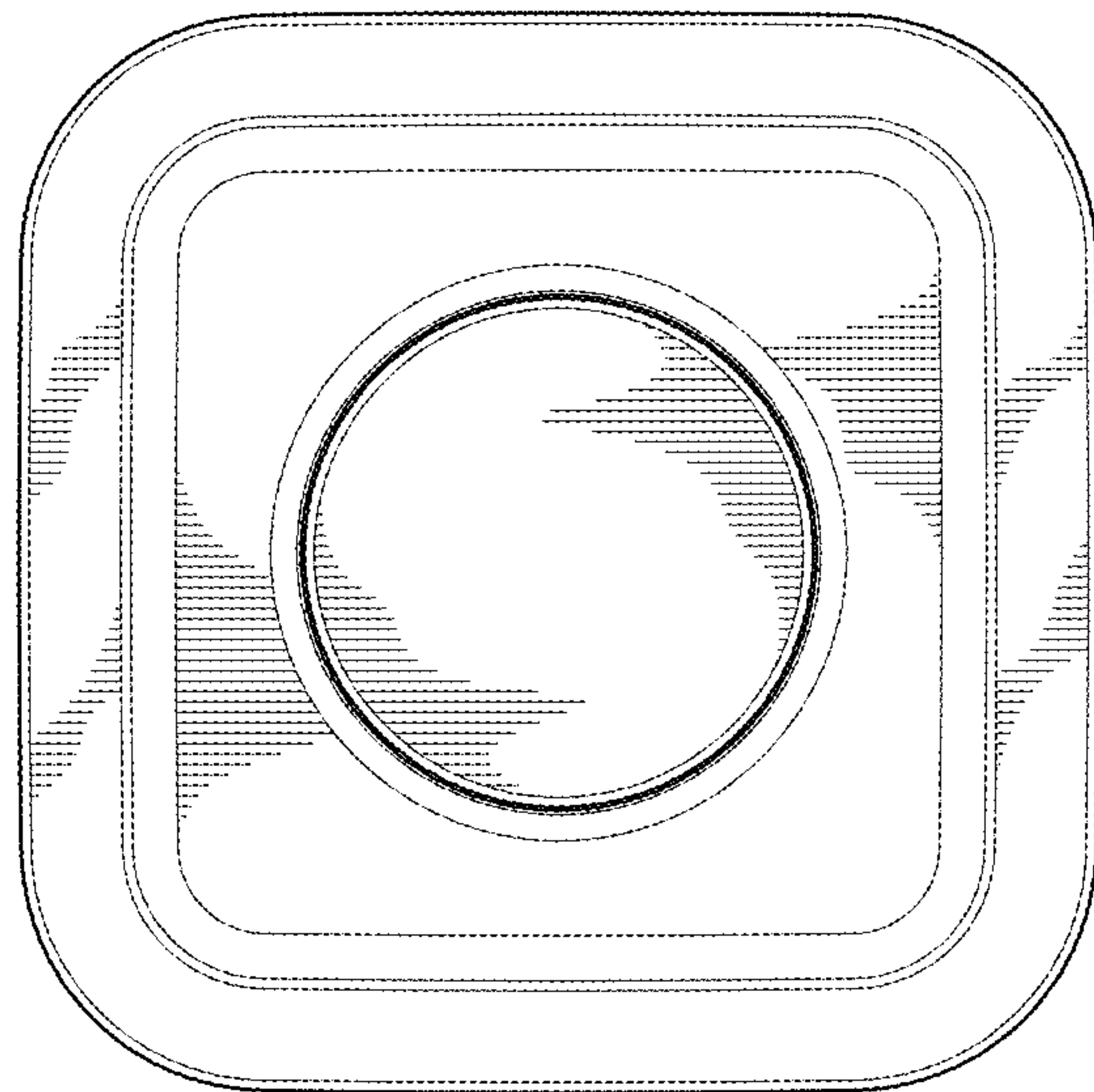


FIG. 119

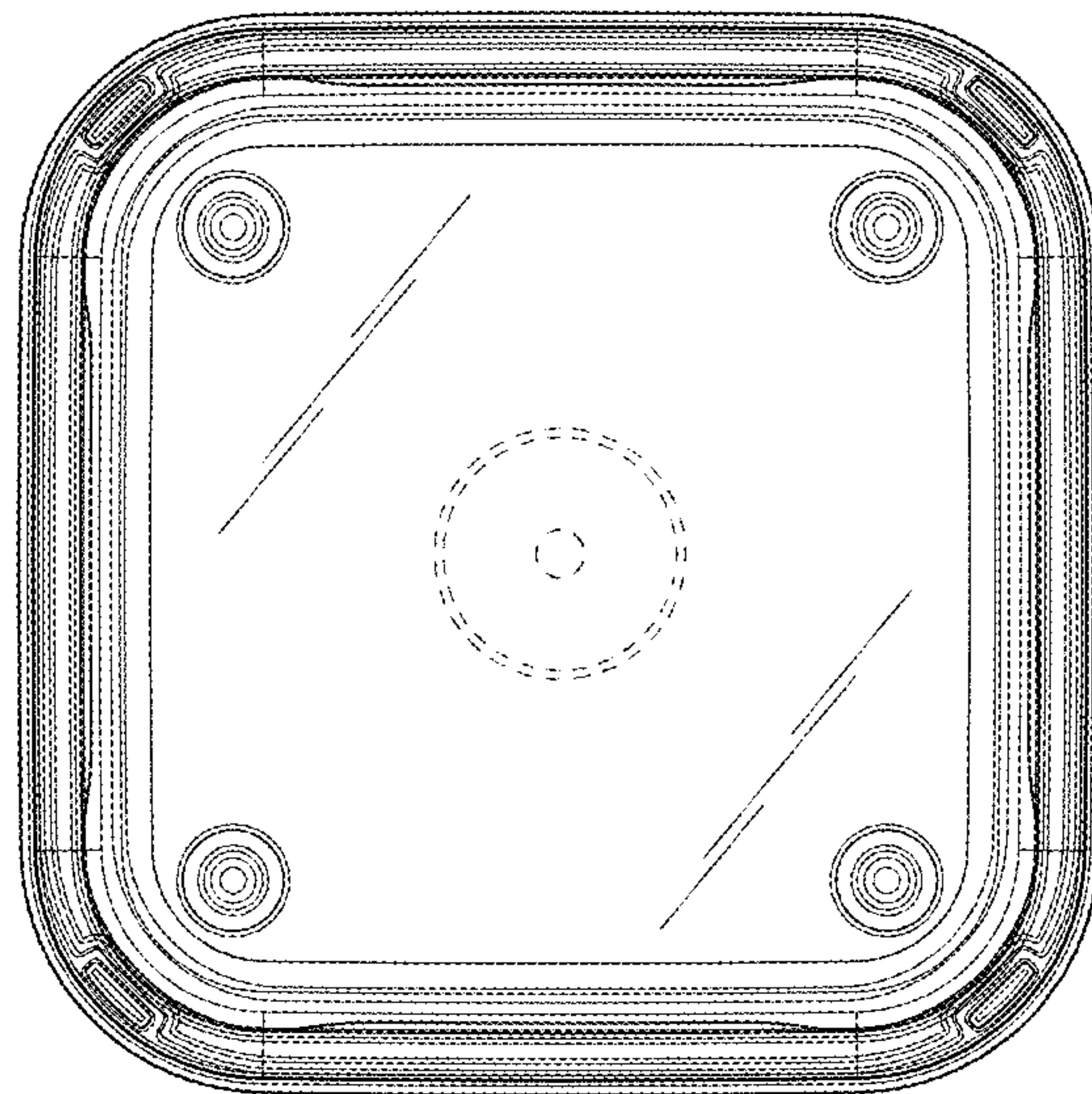


FIG. 120

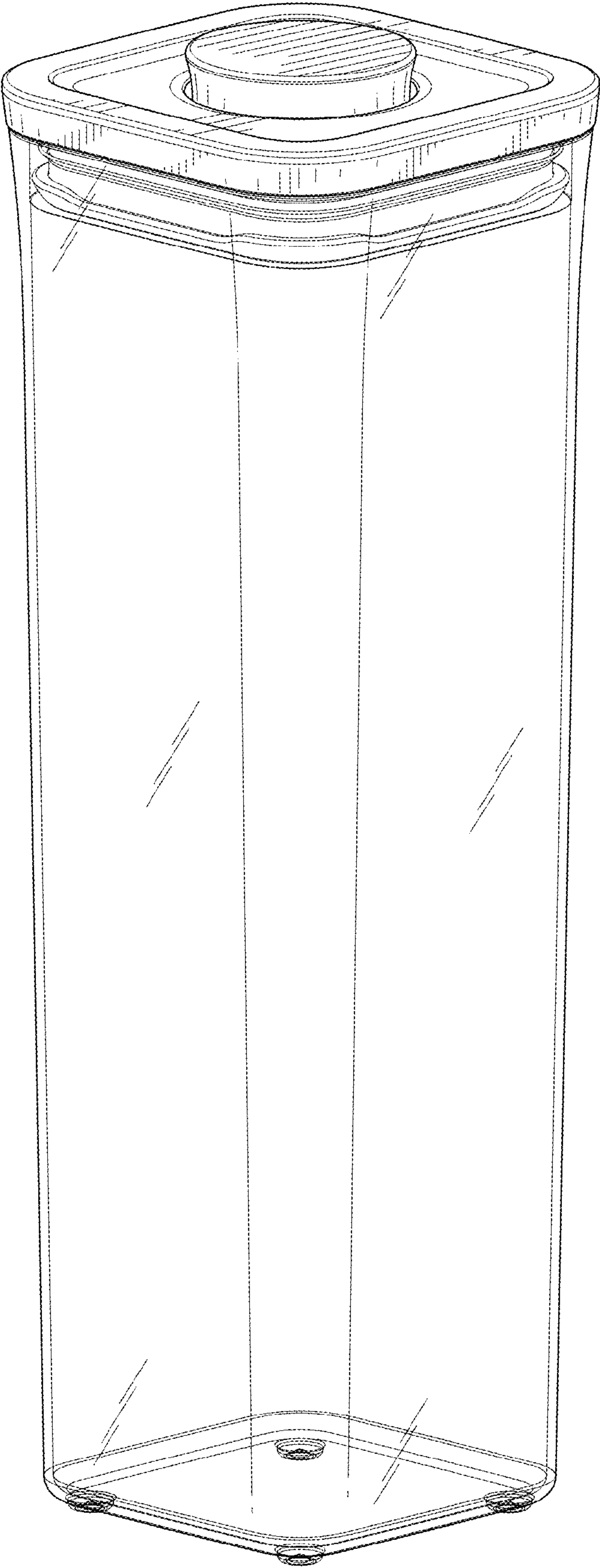


FIG. 121

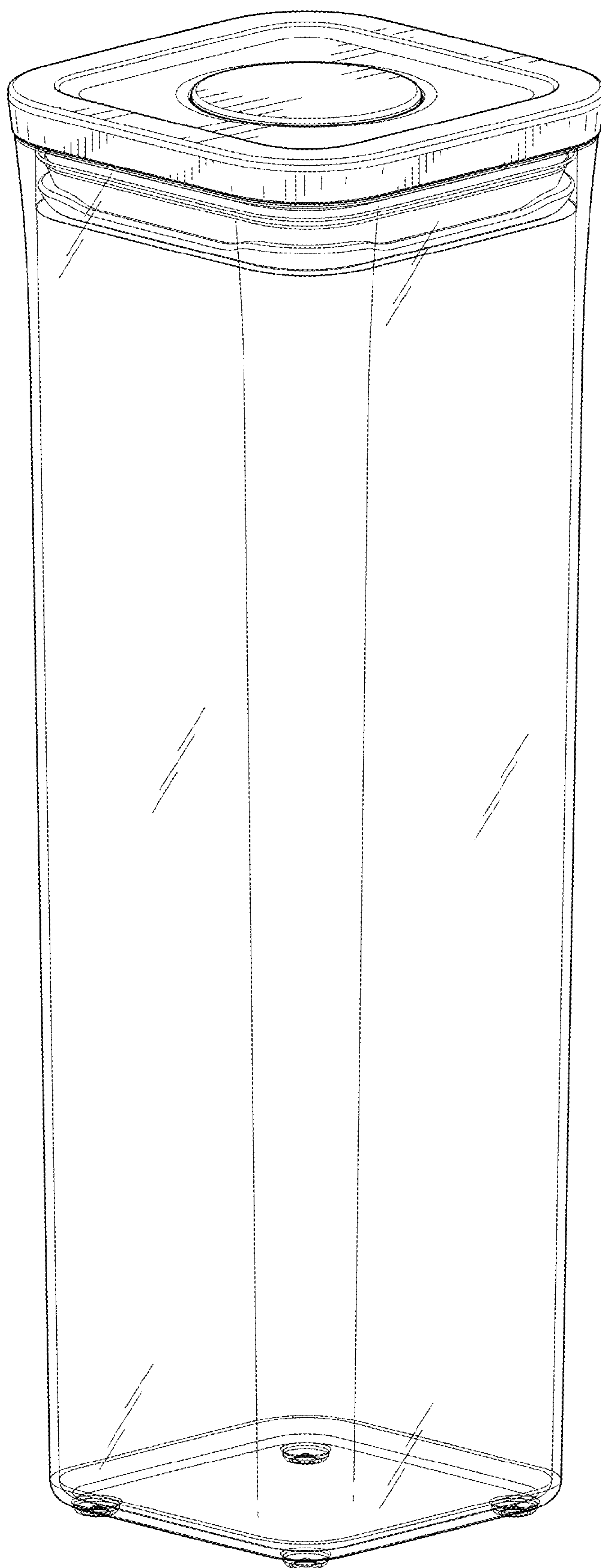


FIG. 122

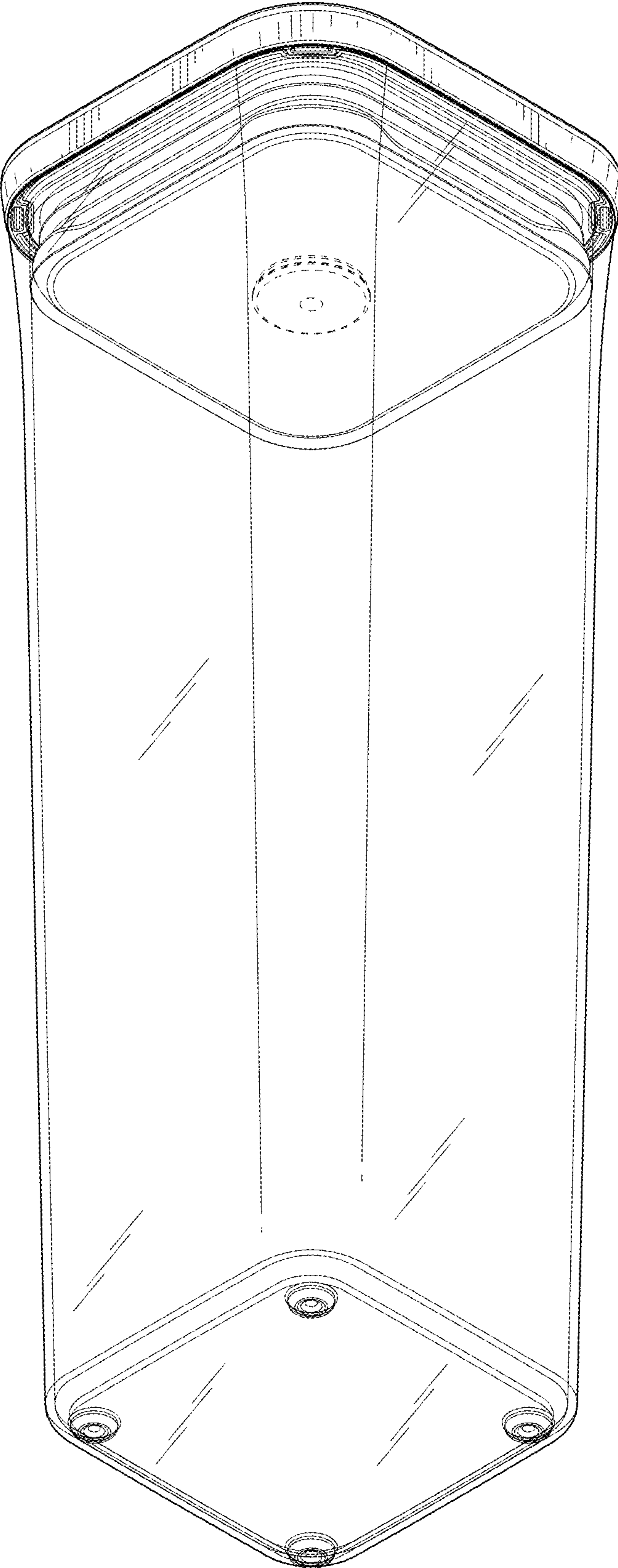


FIG. 123



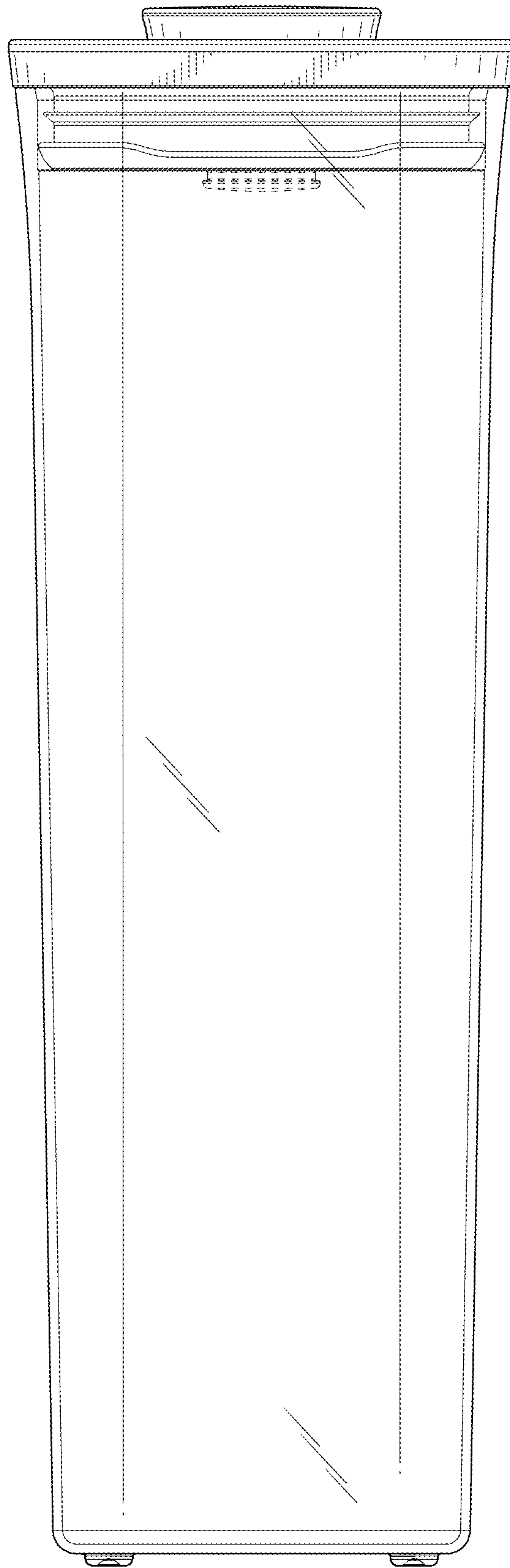


FIG. 124

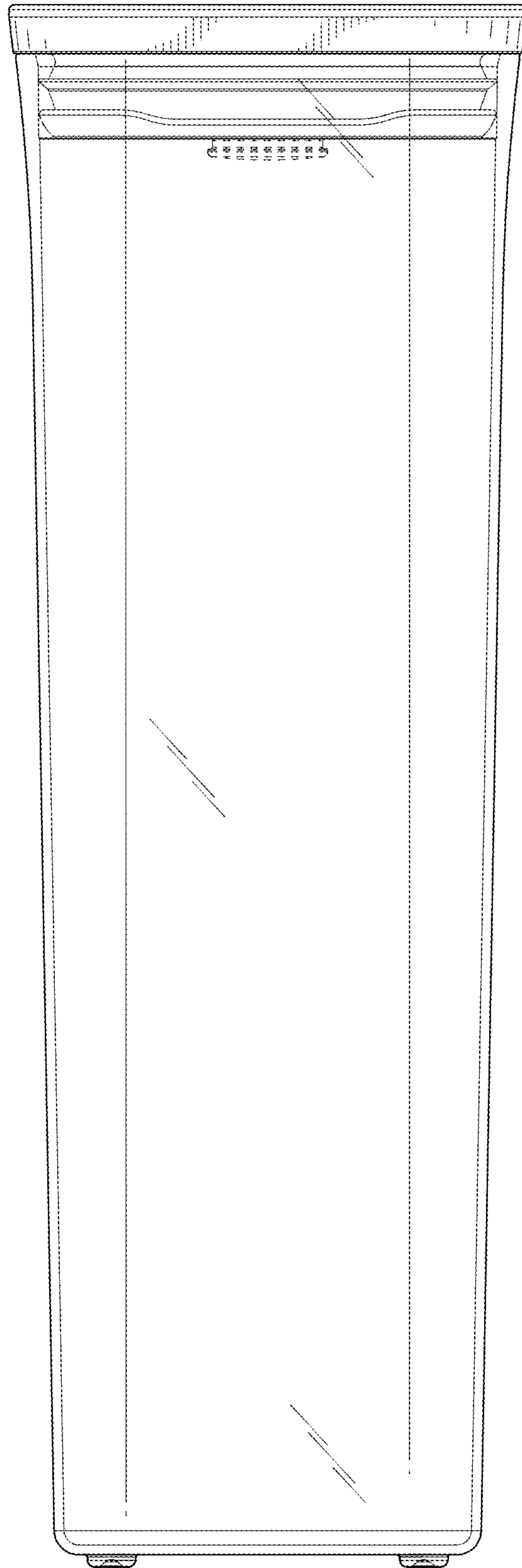


FIG. 125

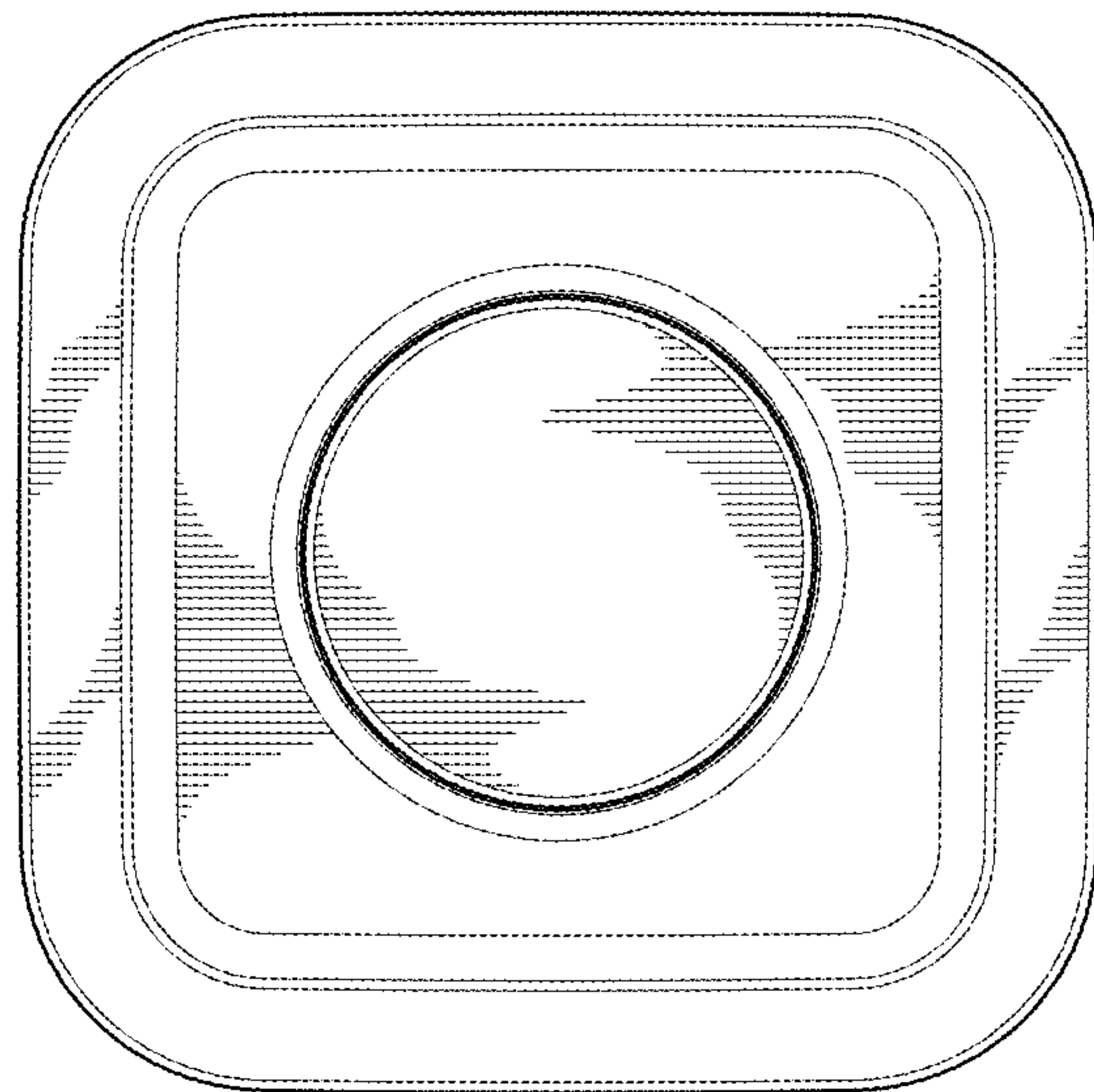


FIG. 126

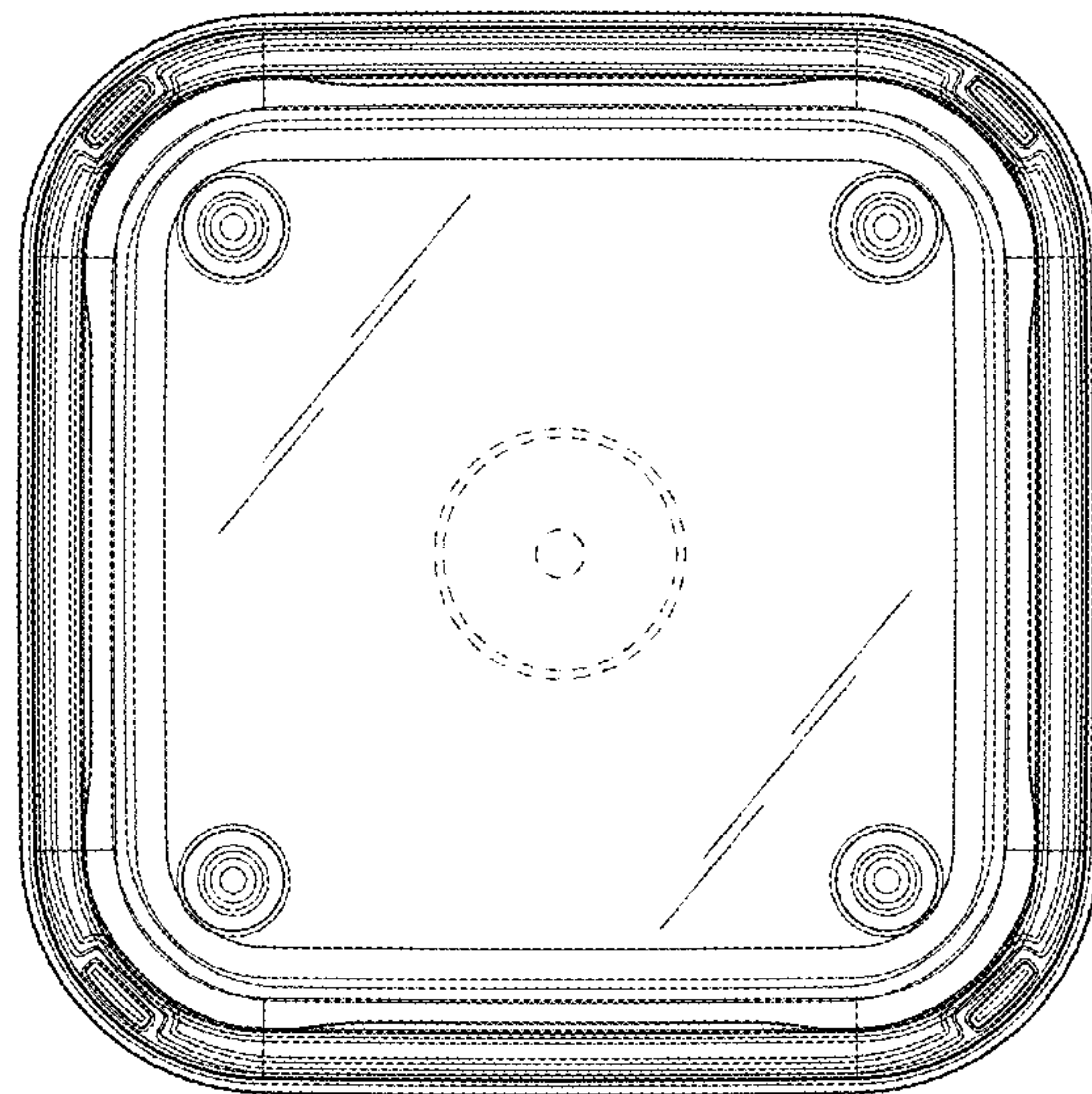


FIG. 127

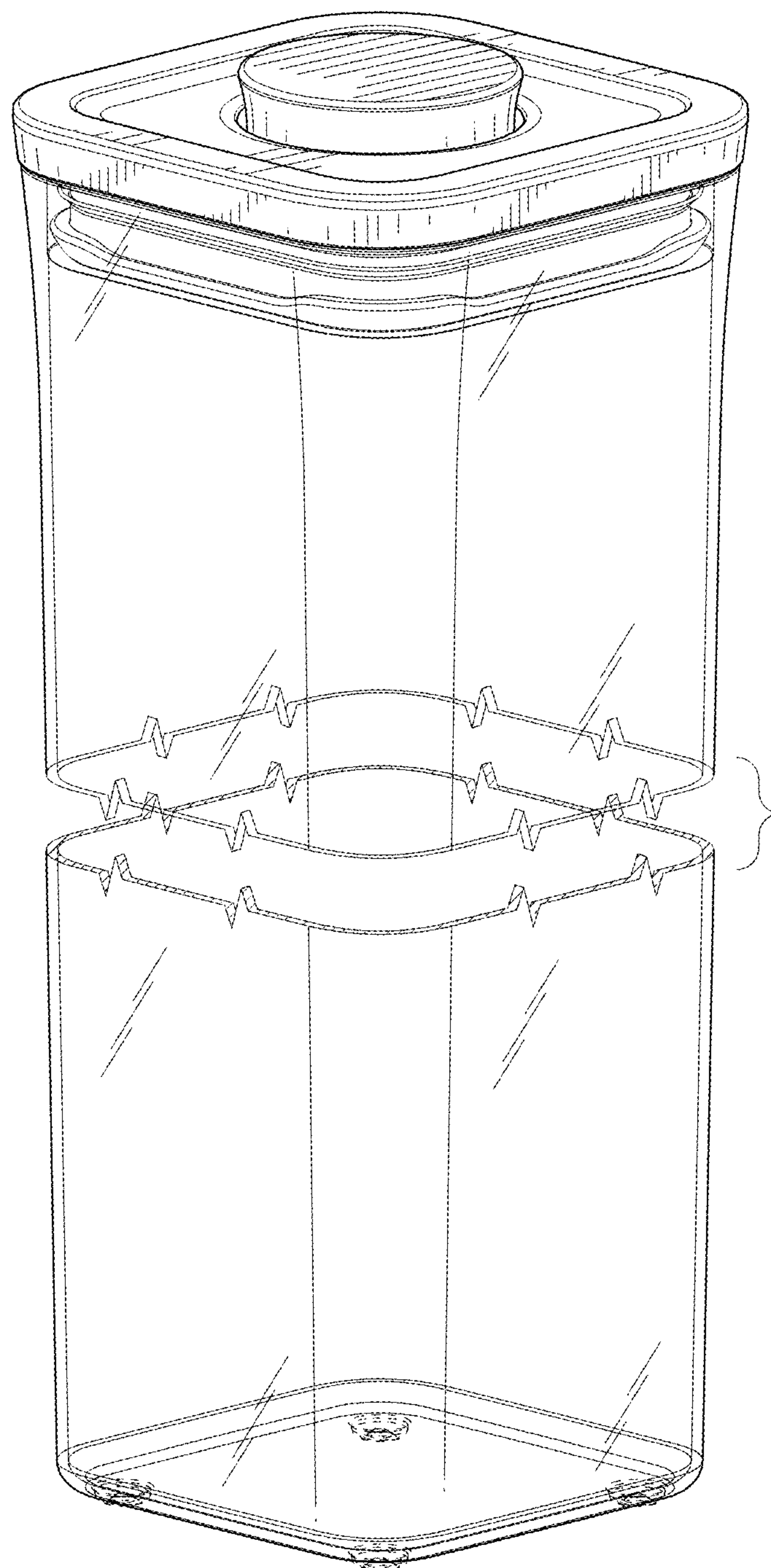


FIG. 128



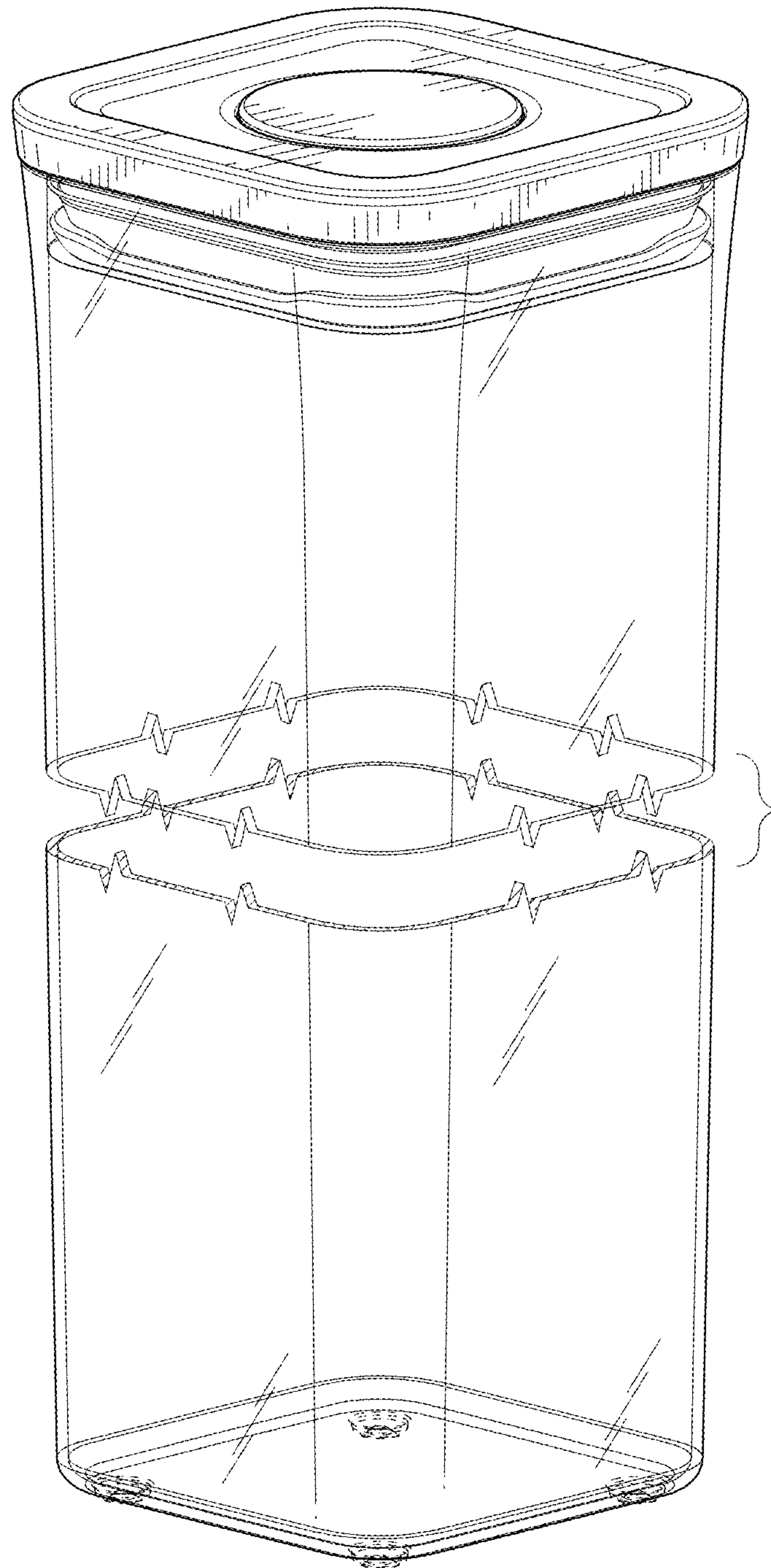


FIG. 129

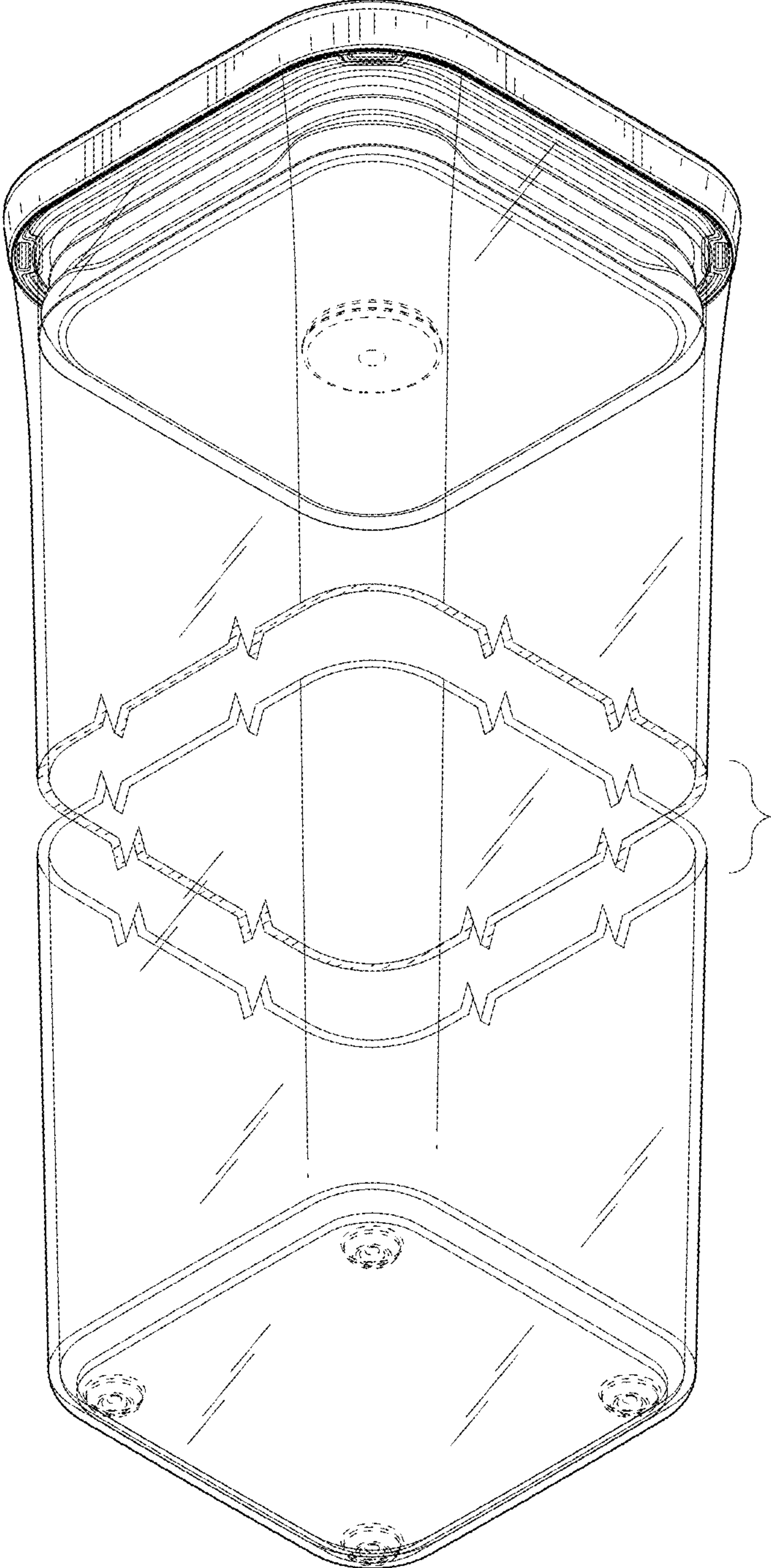


FIG. 130

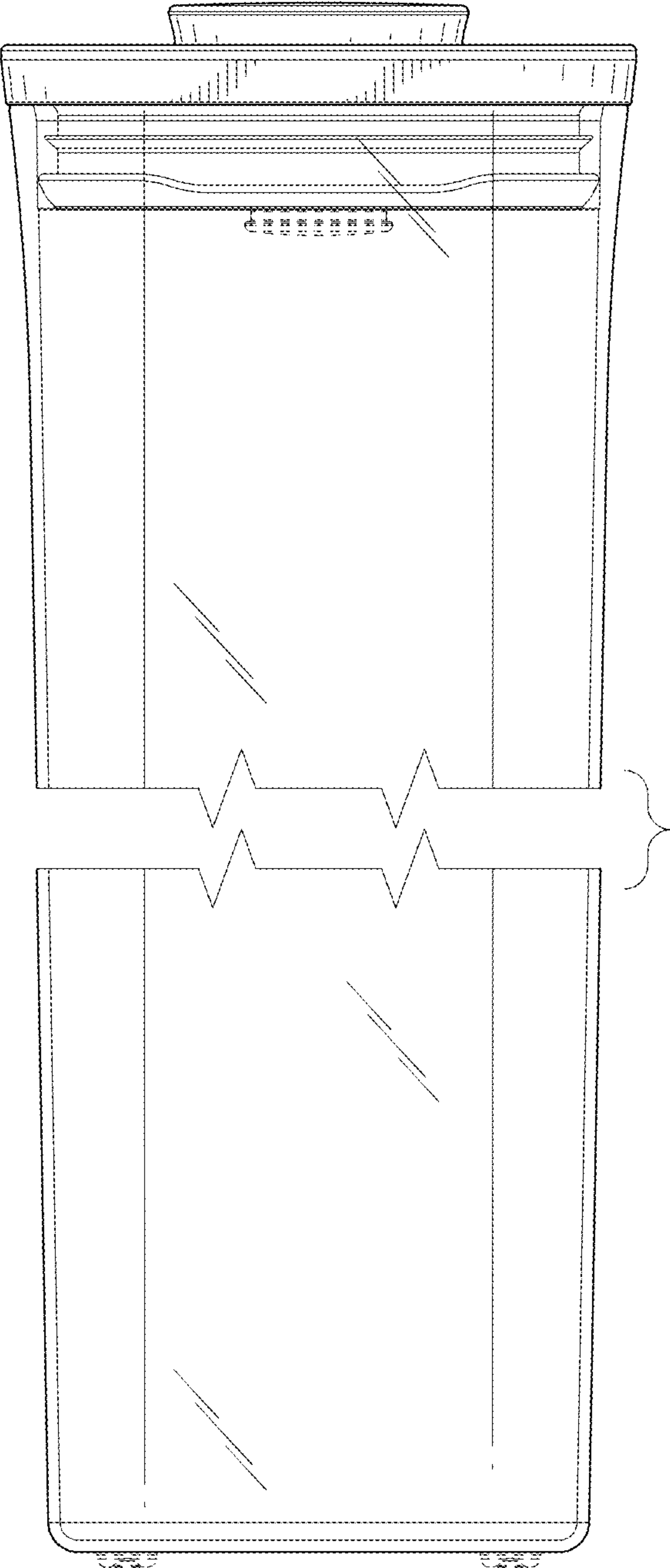


FIG. 131

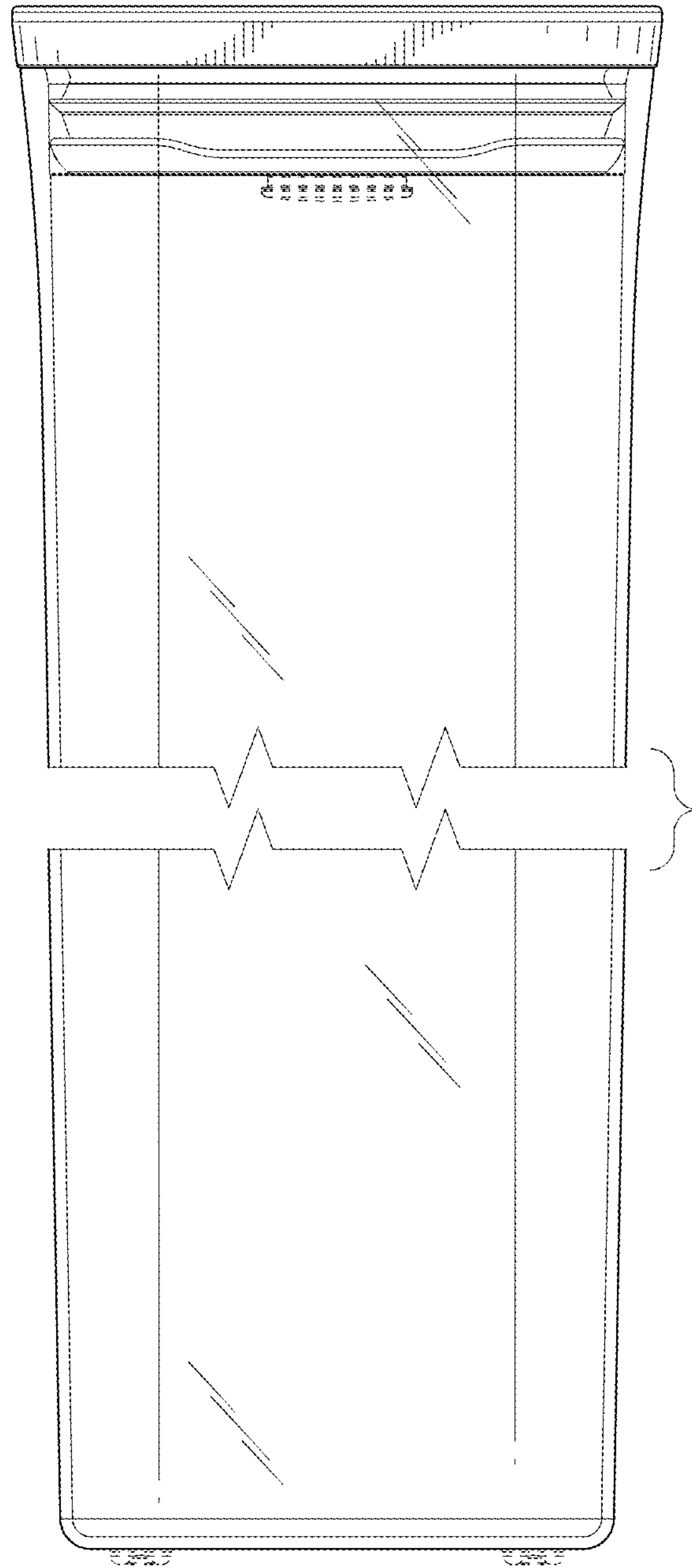


FIG. 132

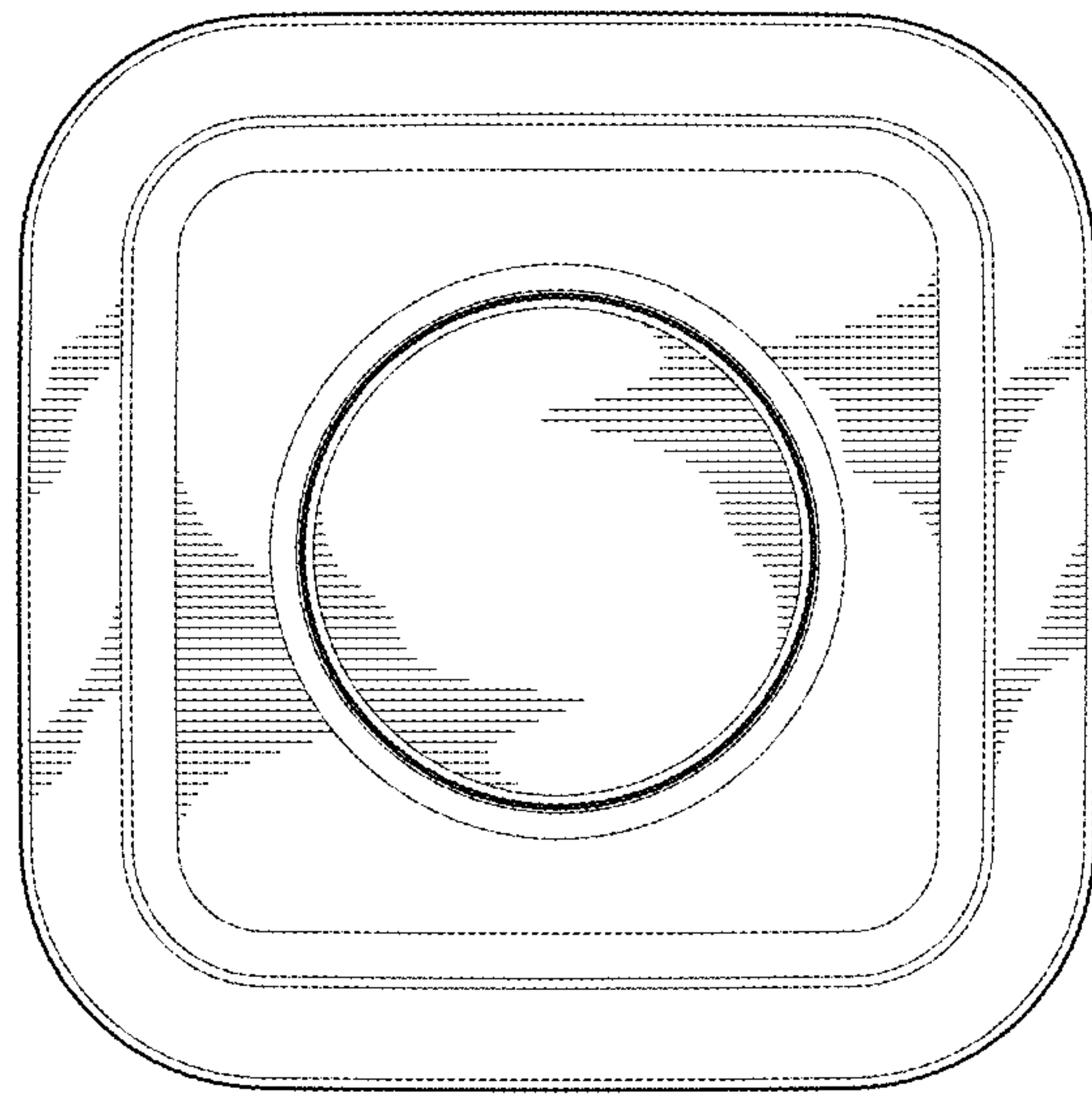


FIG. 133



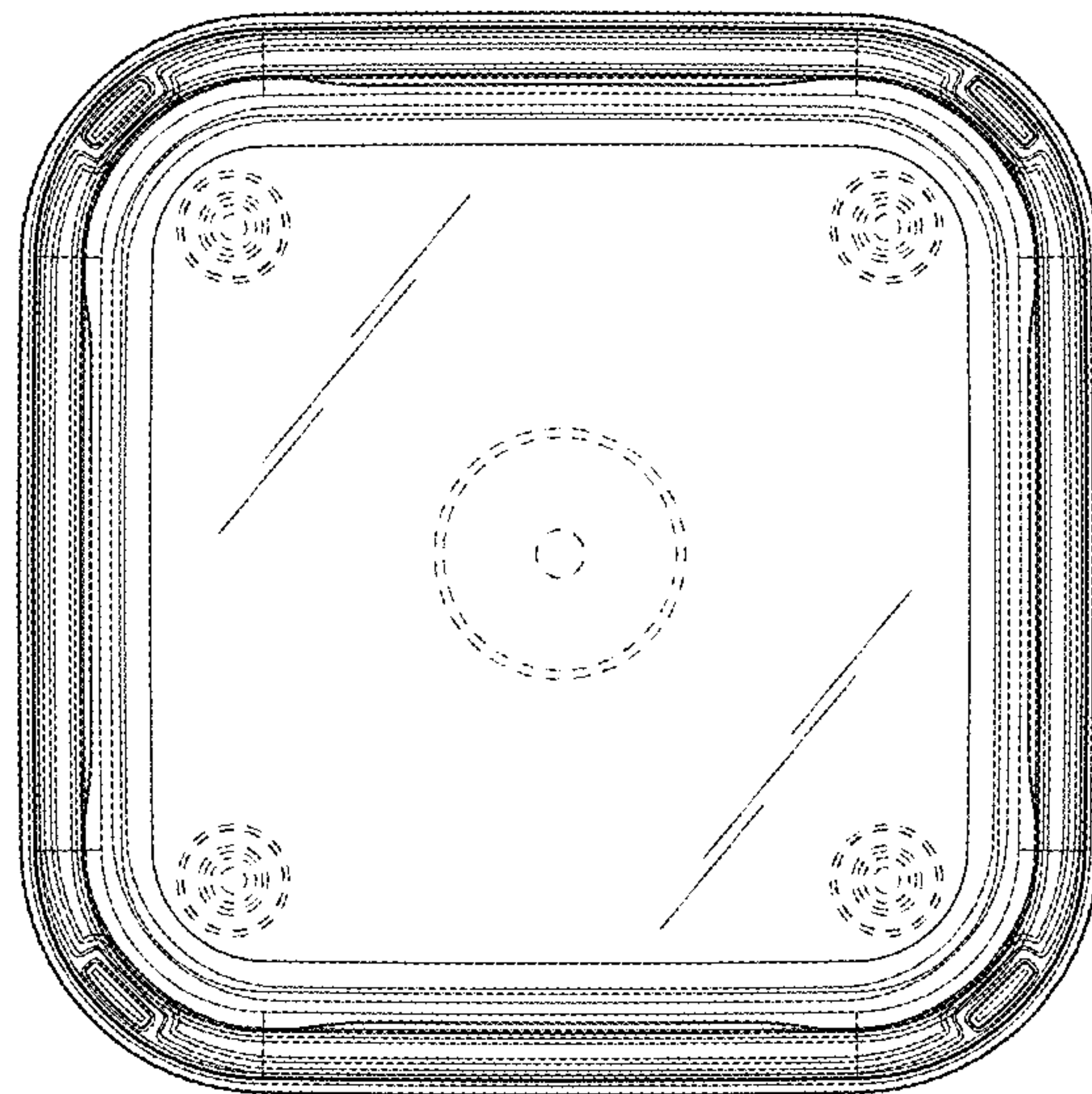


FIG. 134

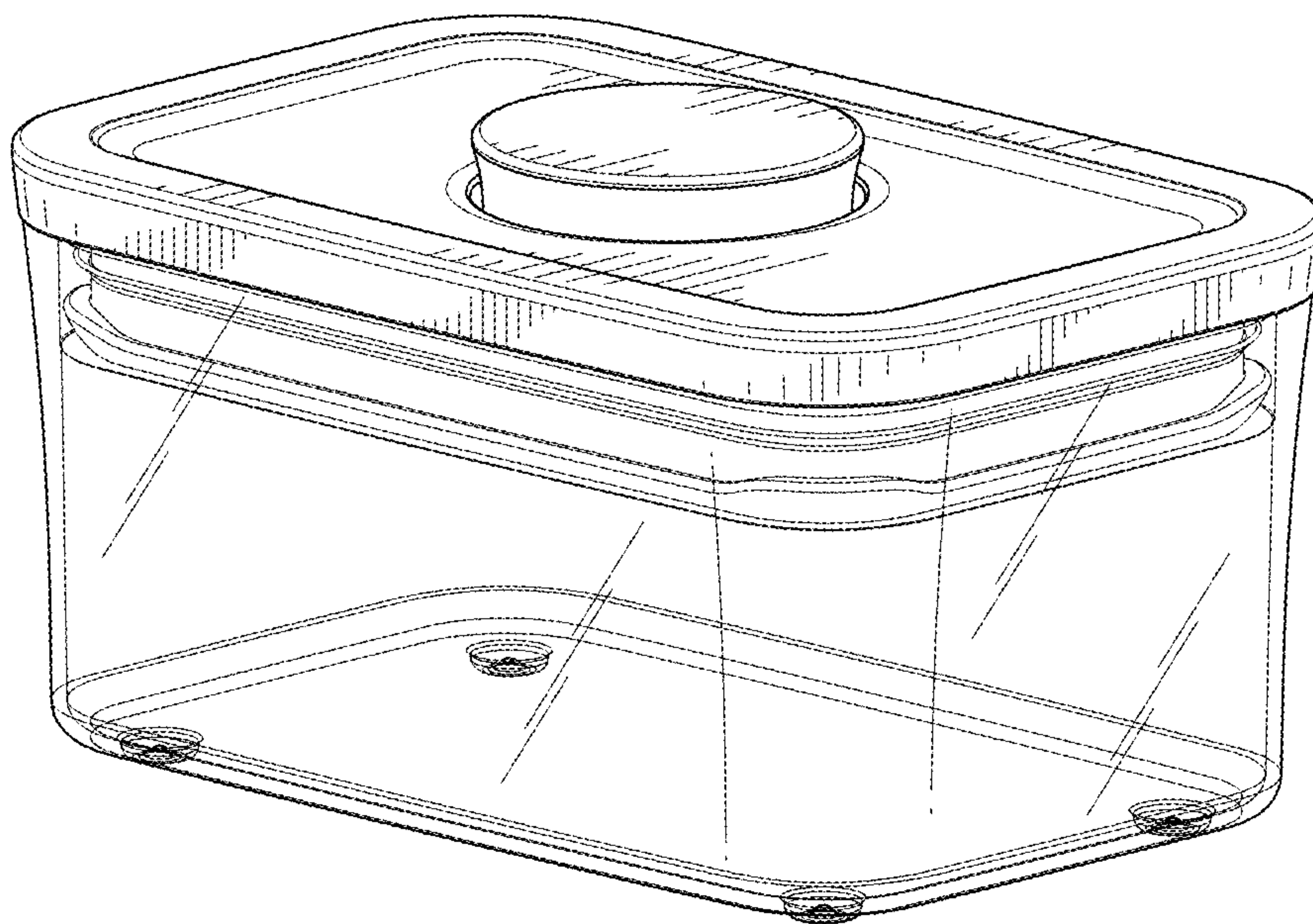


FIG. 135

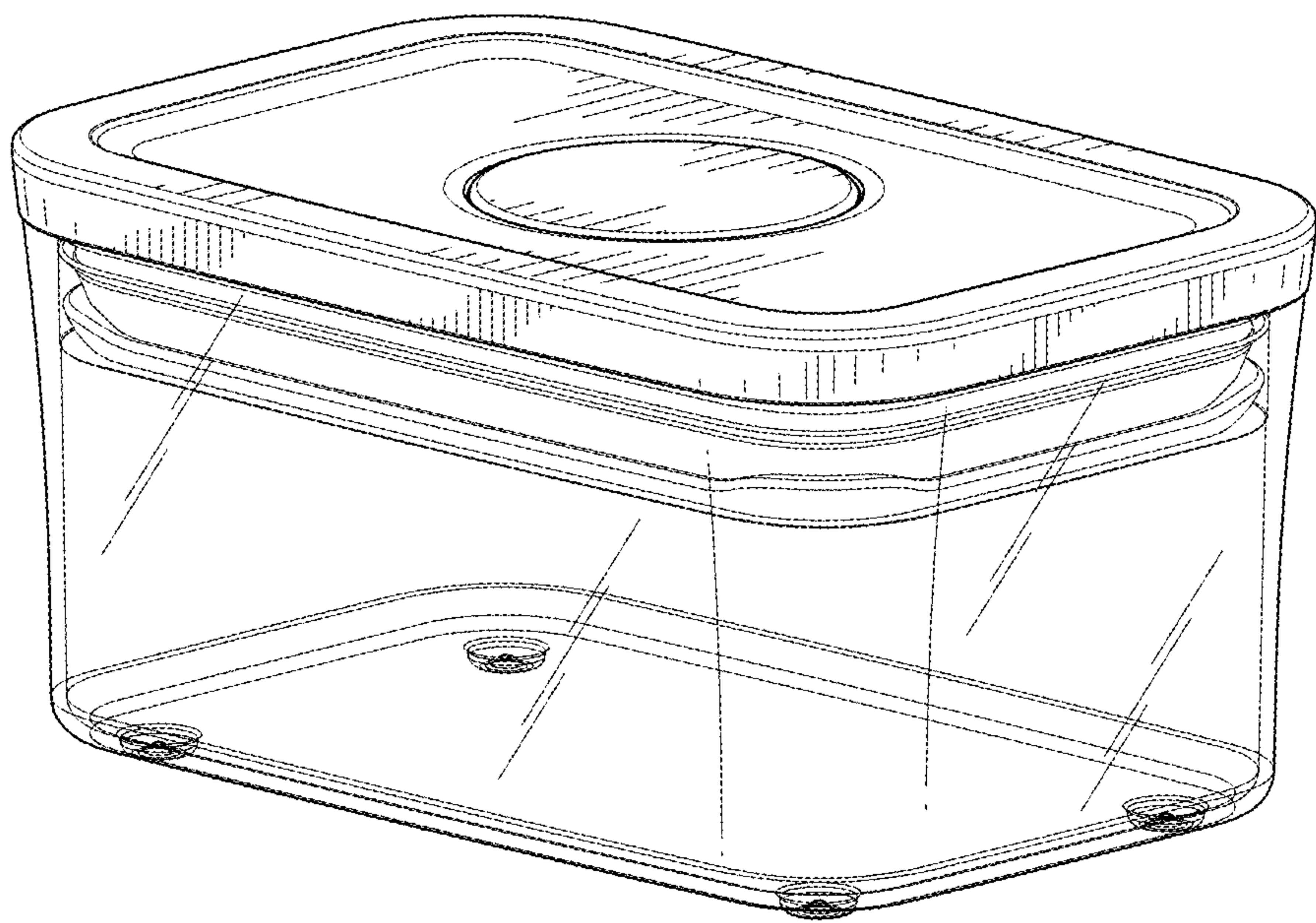


FIG. 136

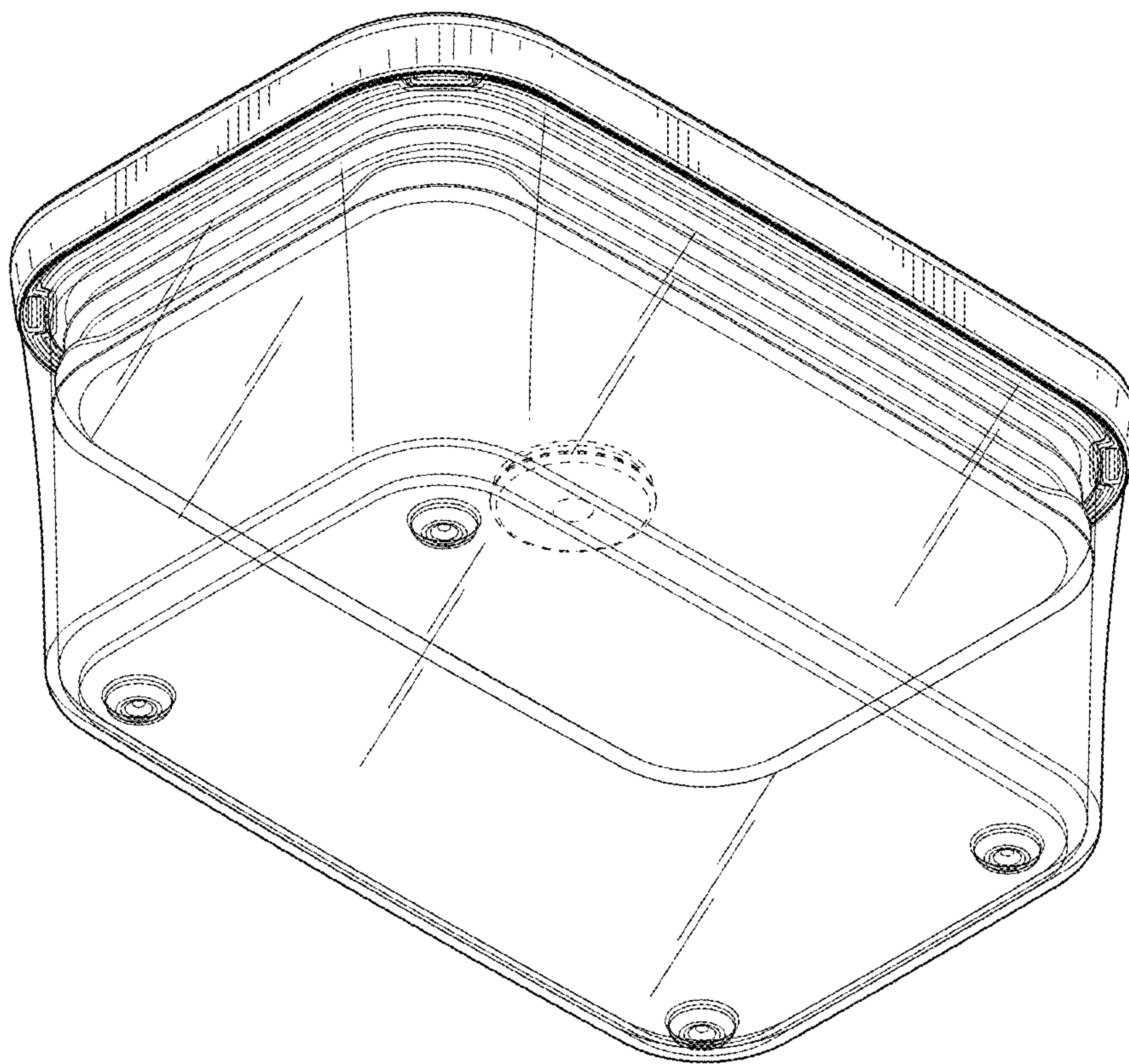


FIG. 137

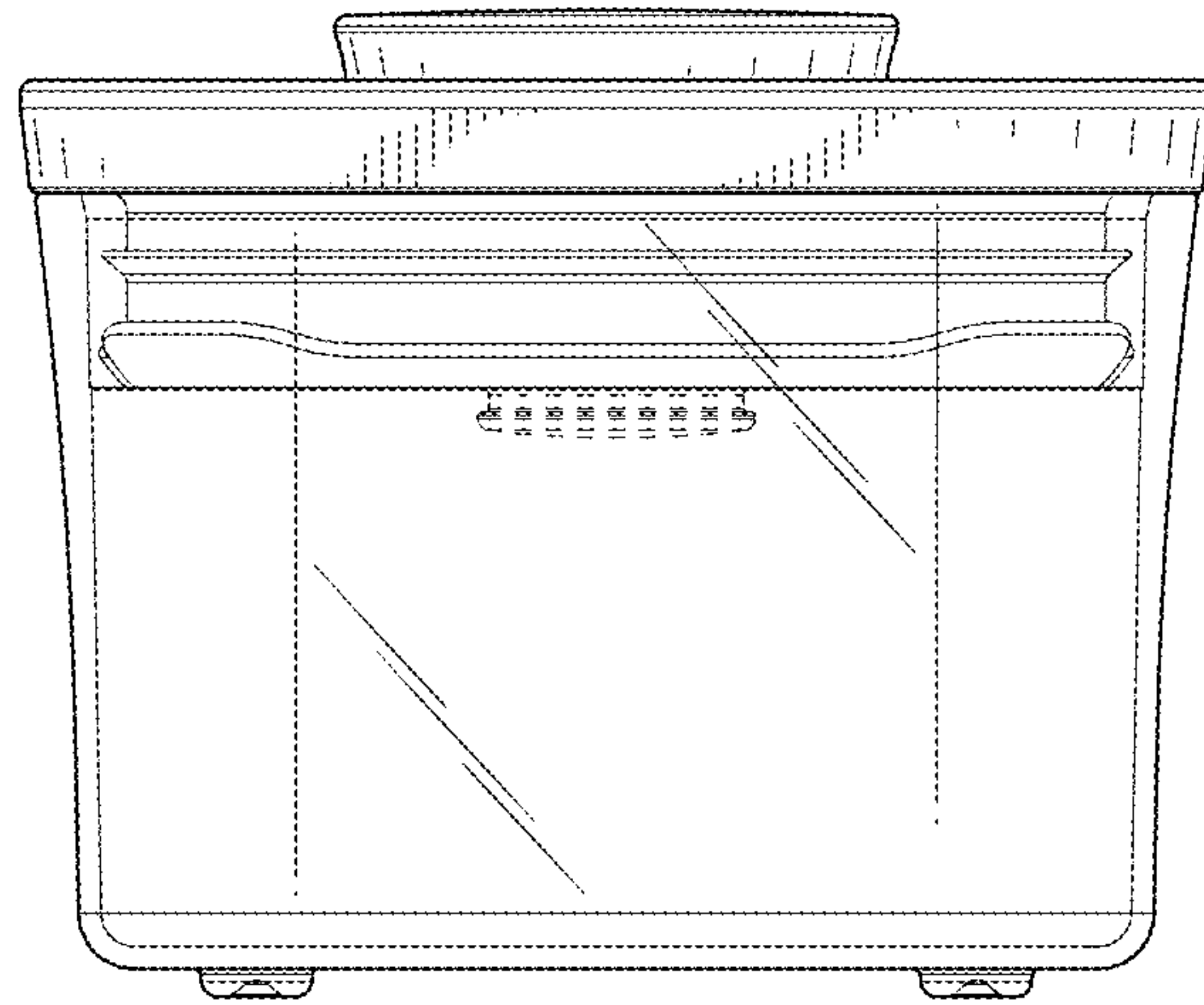


FIG. 138



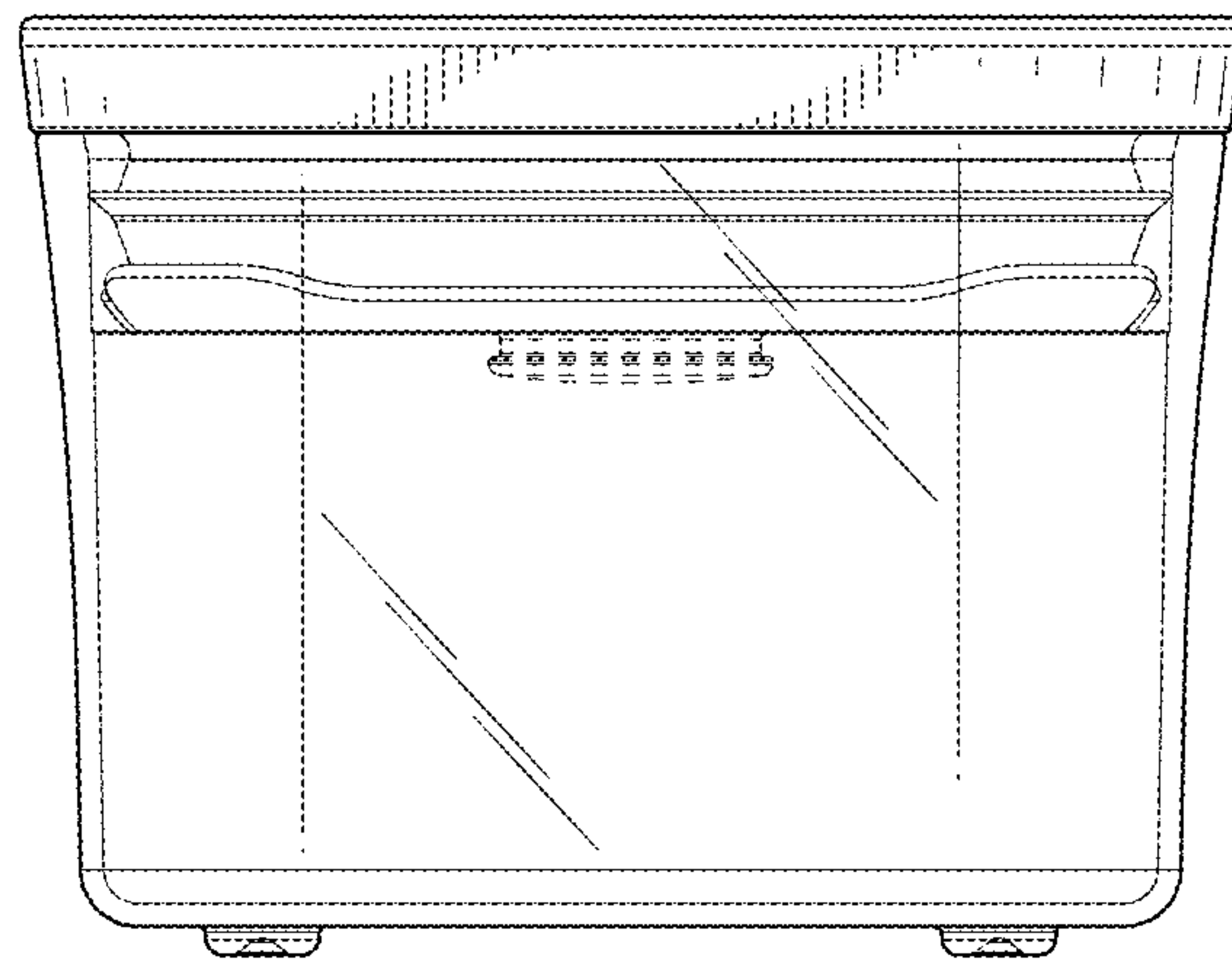


FIG. 139

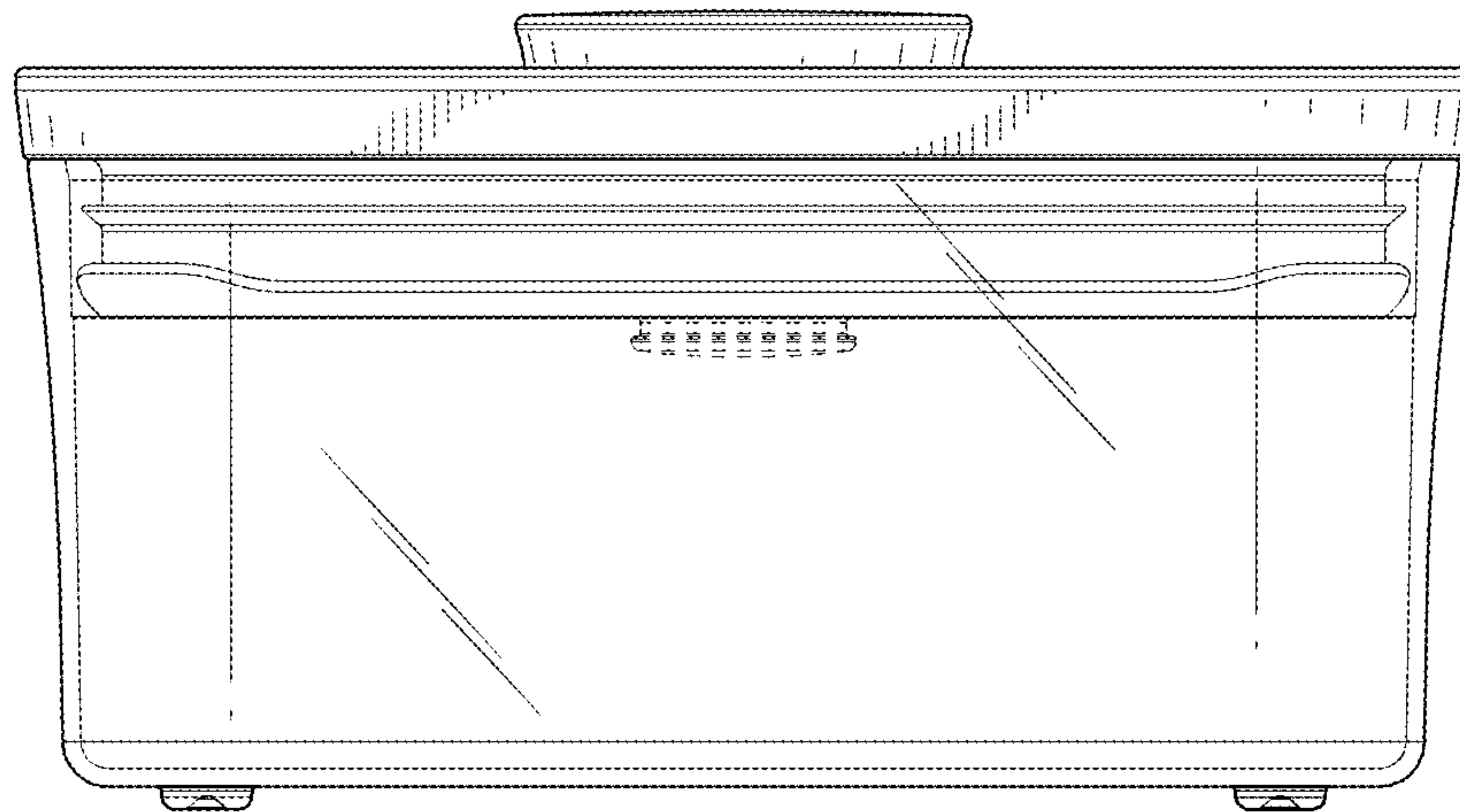


FIG. 140

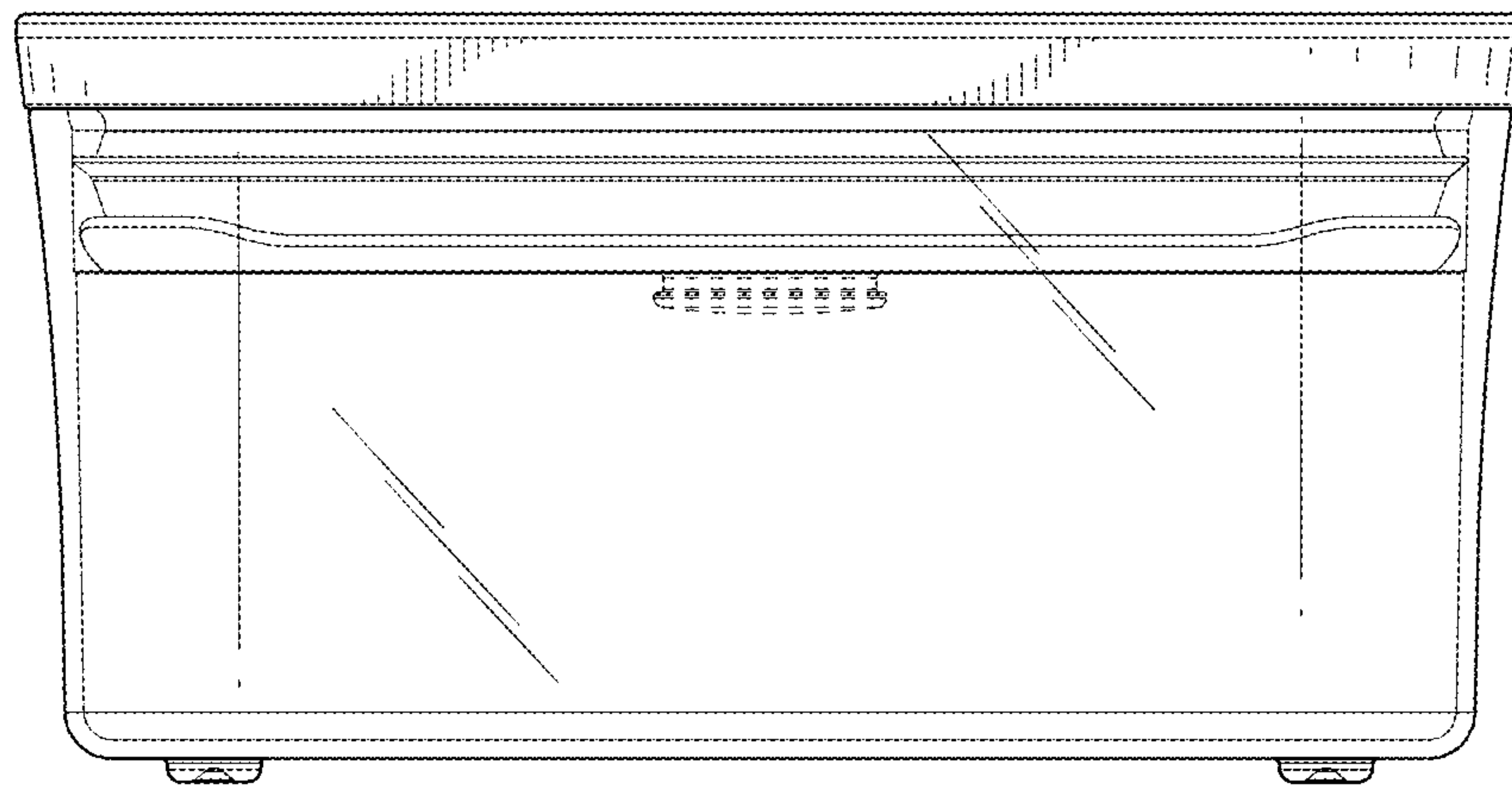


FIG. 141

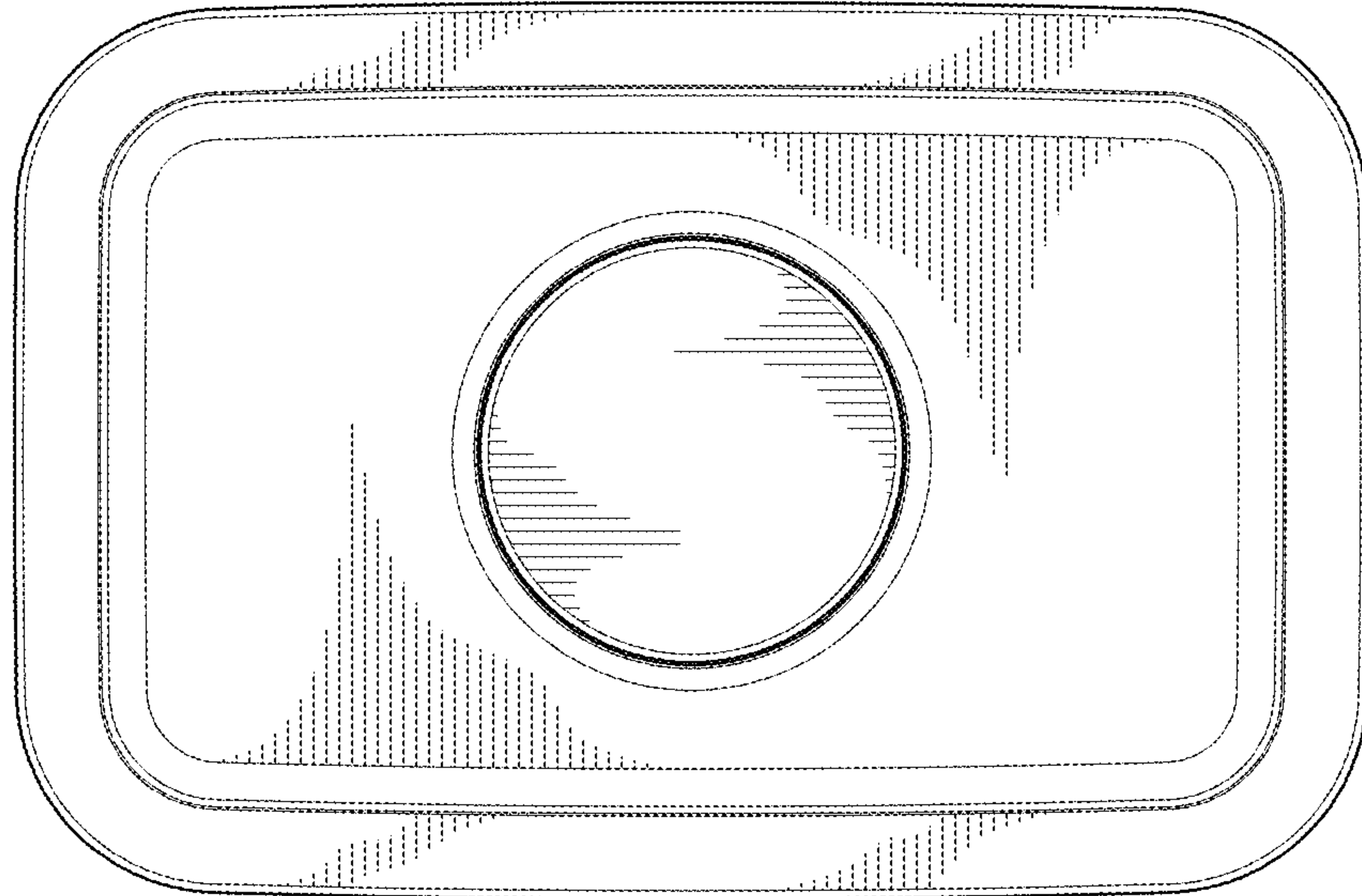


FIG. 142

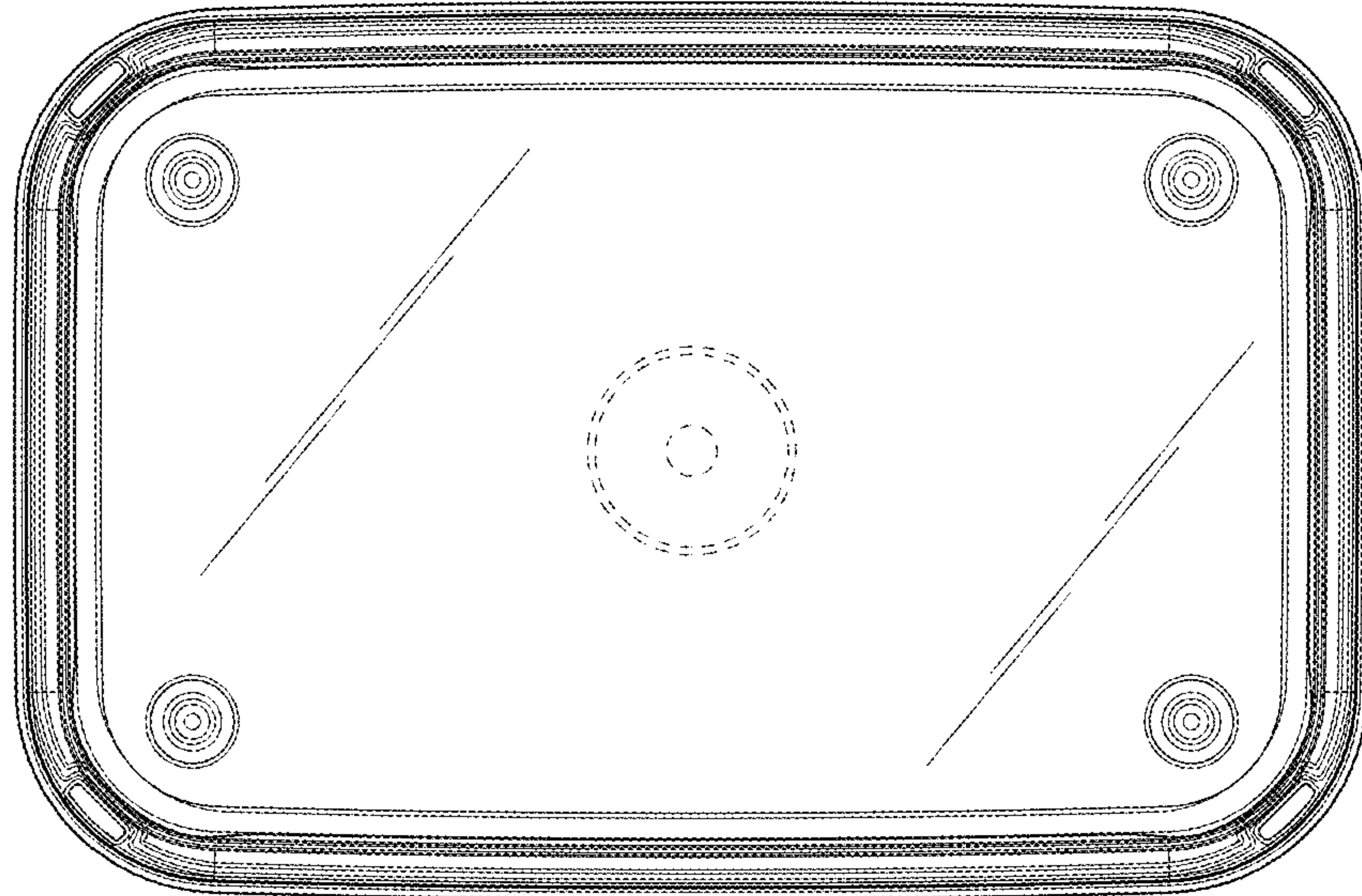


FIG. 143



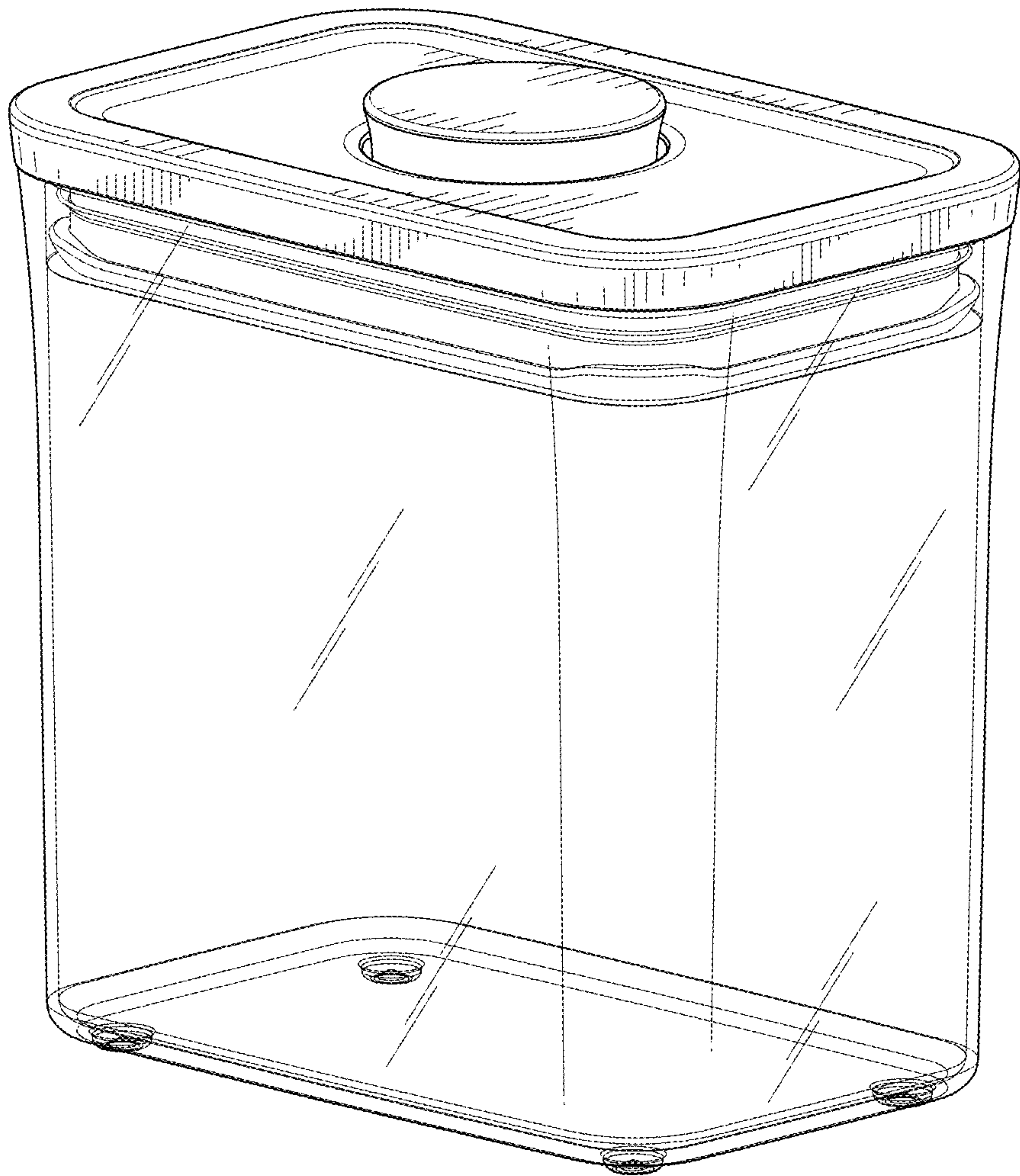


FIG. 144

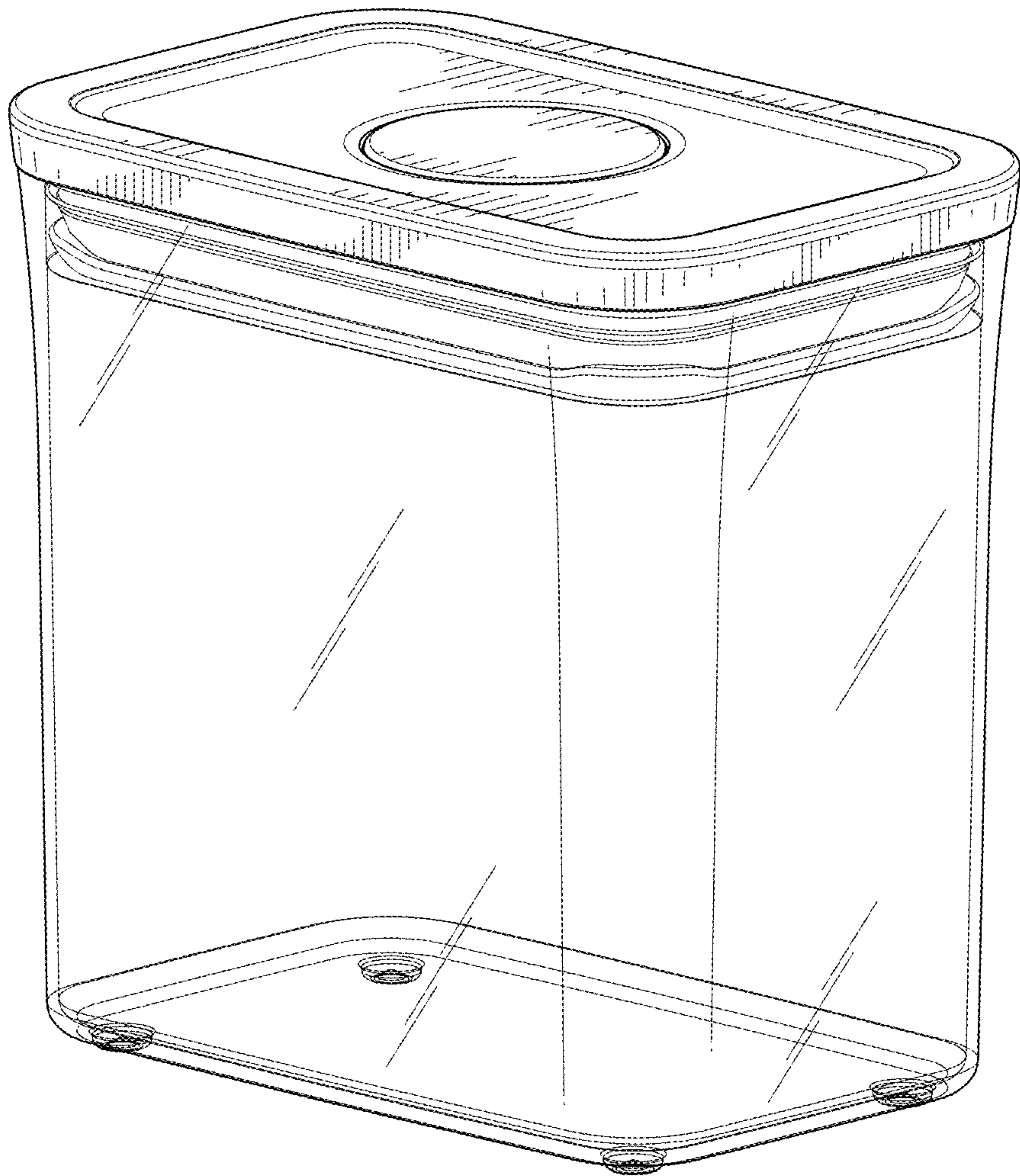


FIG. 145

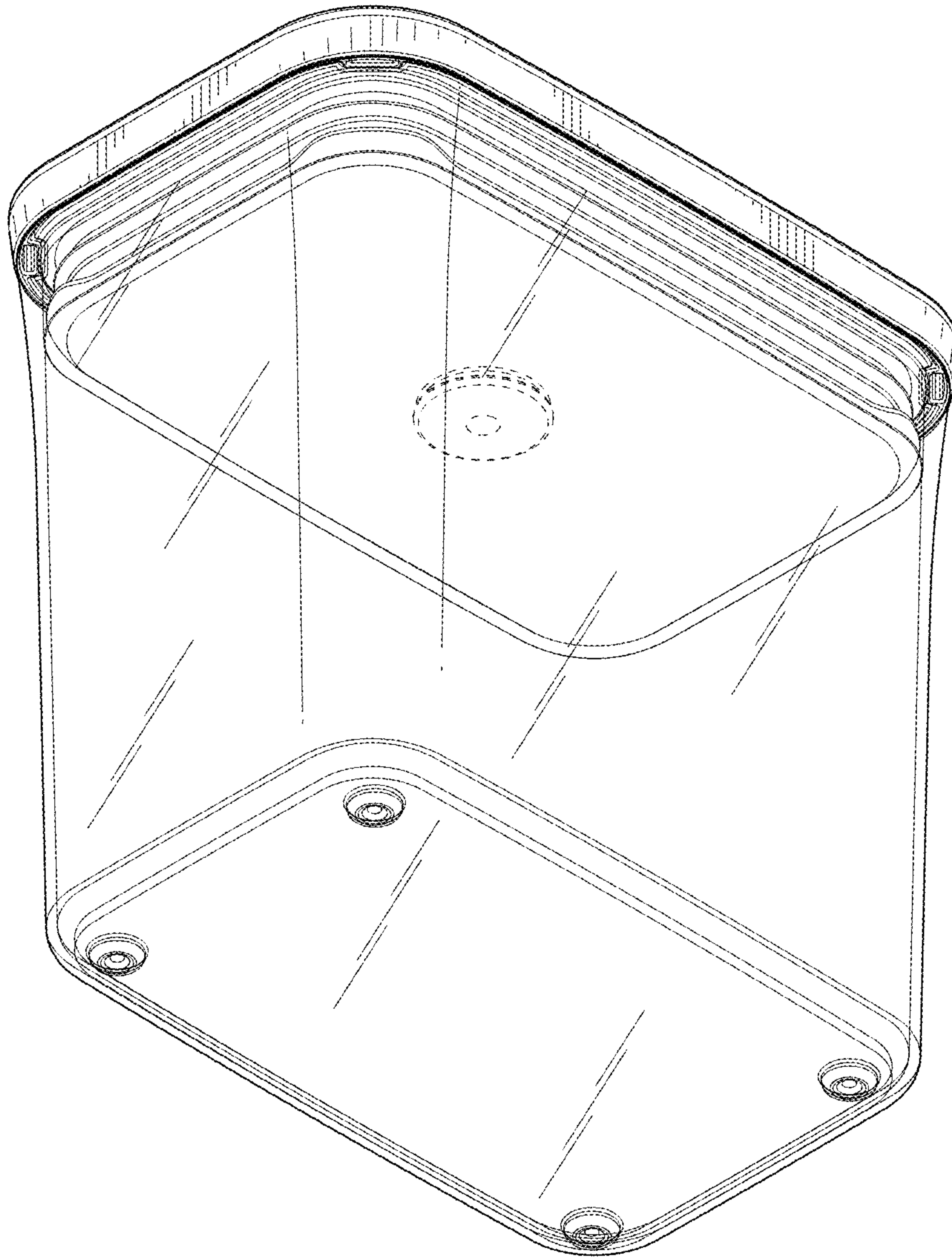


FIG. 146

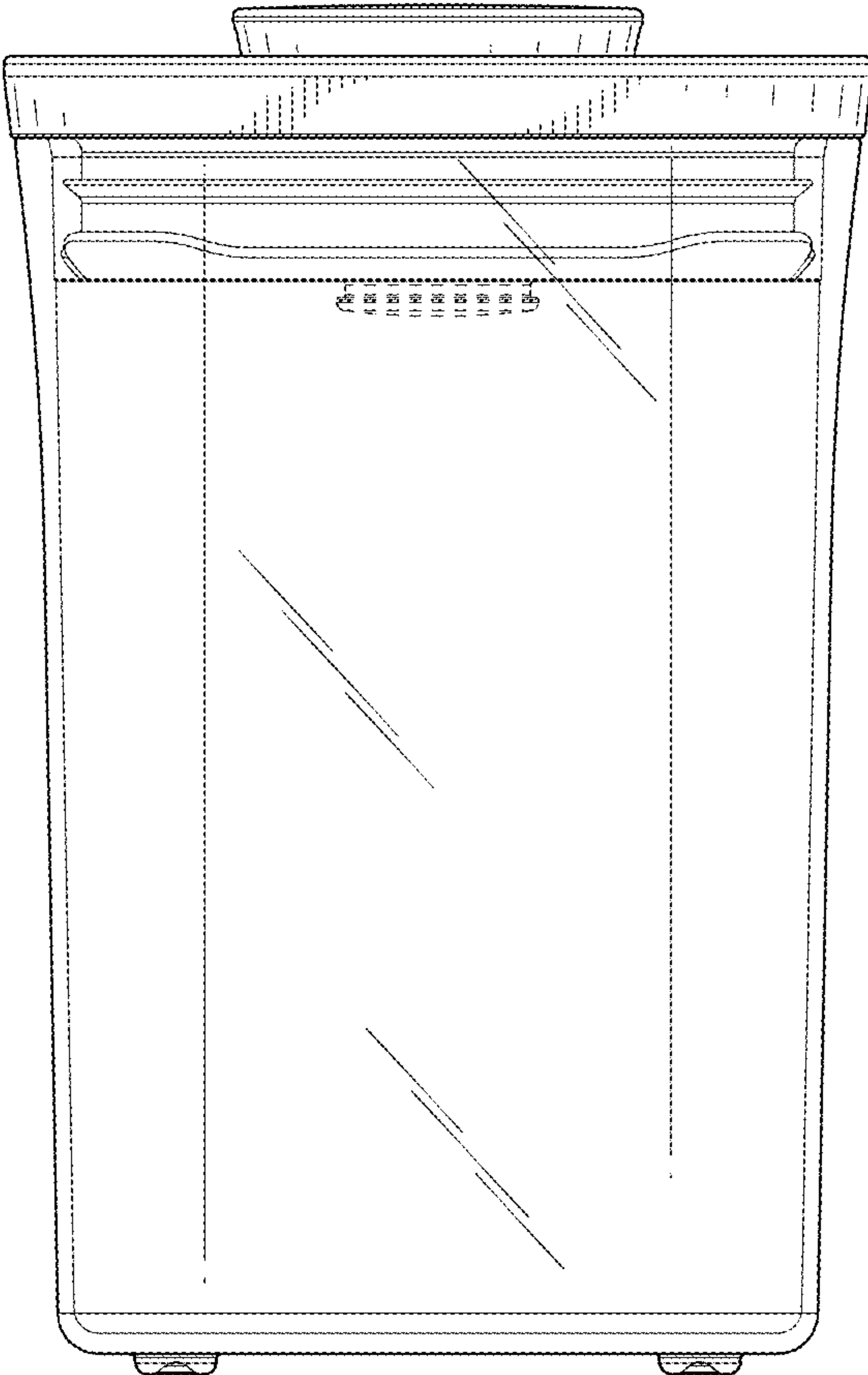


FIG. 147

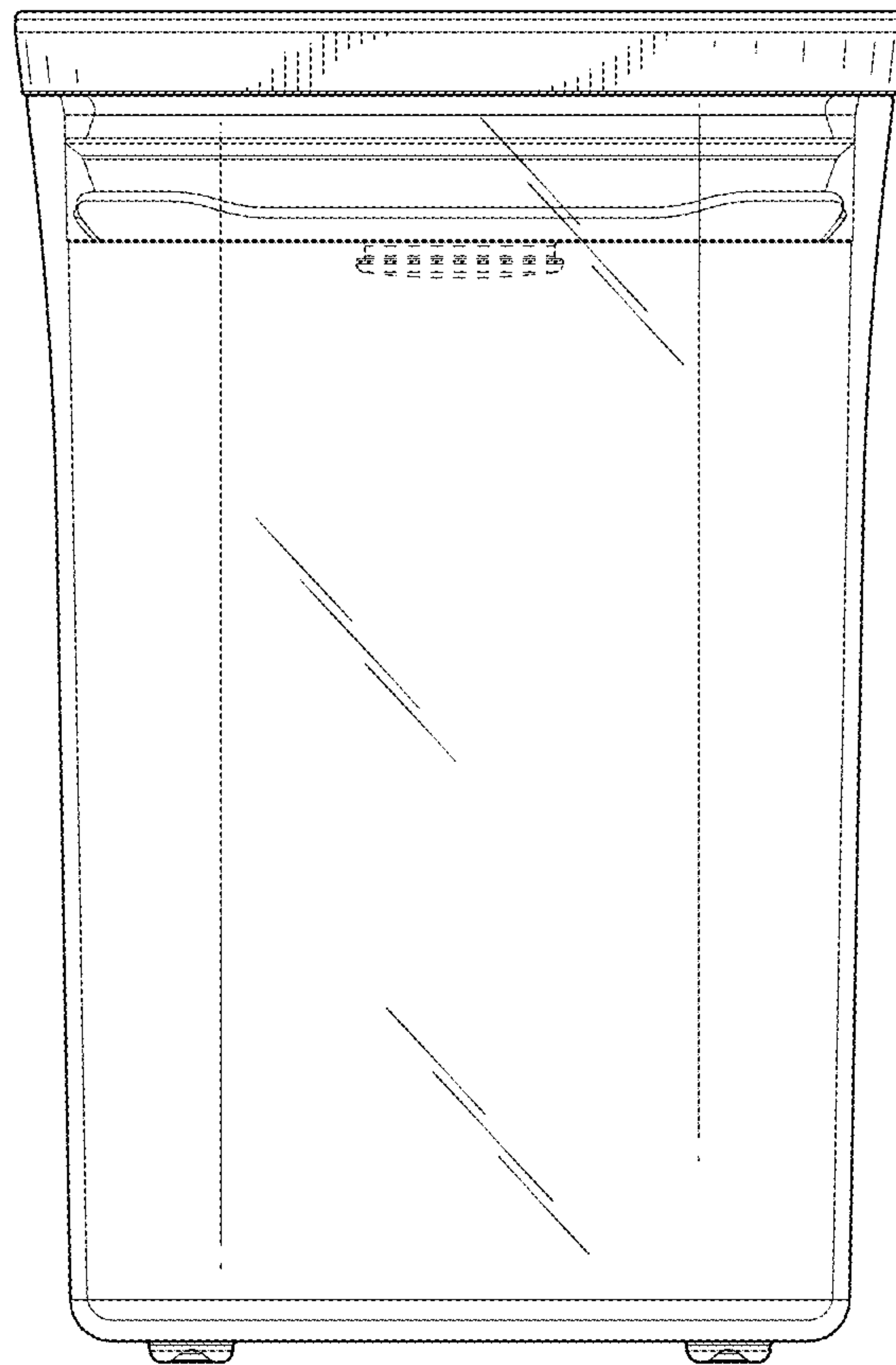


FIG. 148



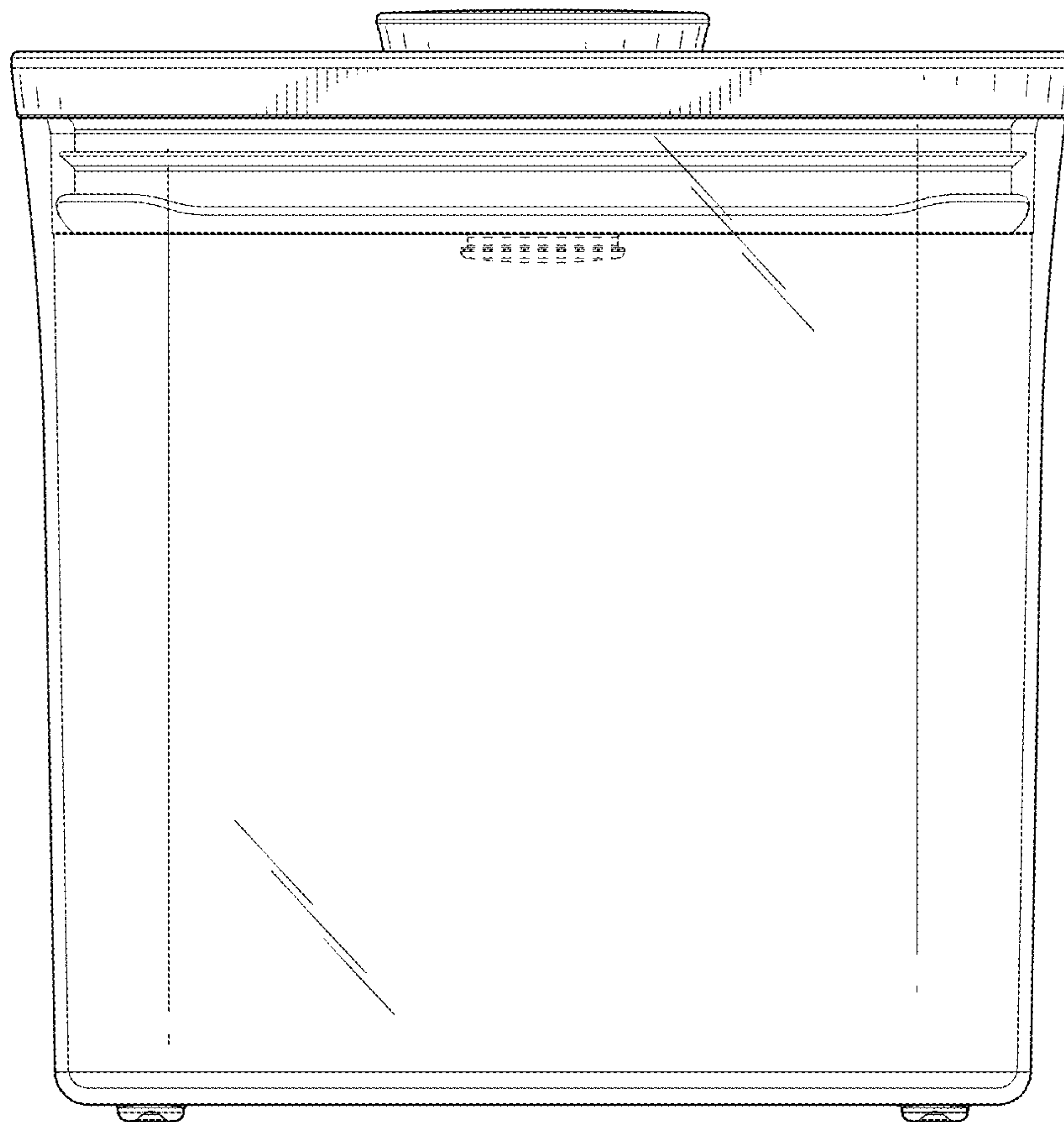


FIG. 149

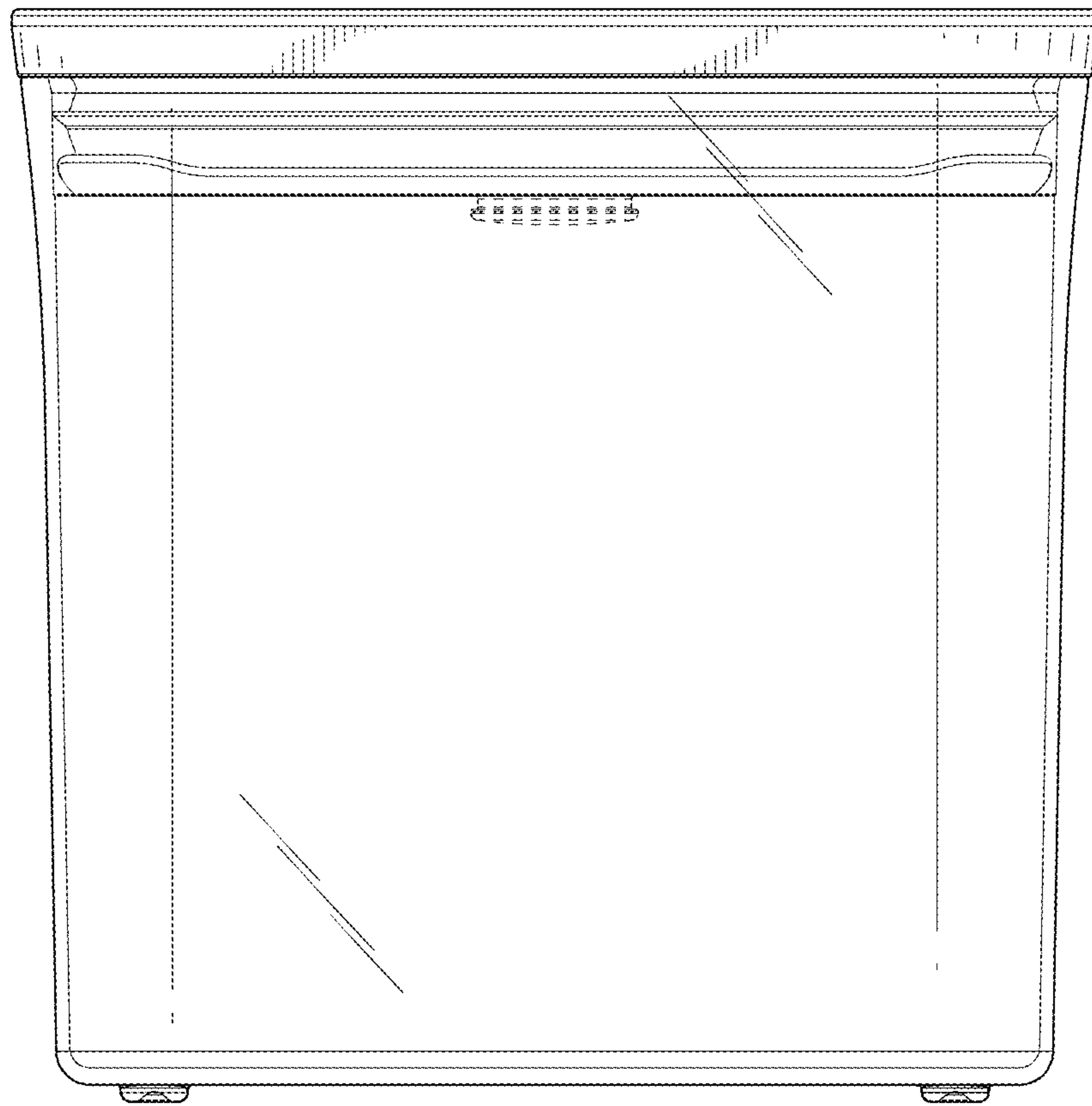


FIG. 150

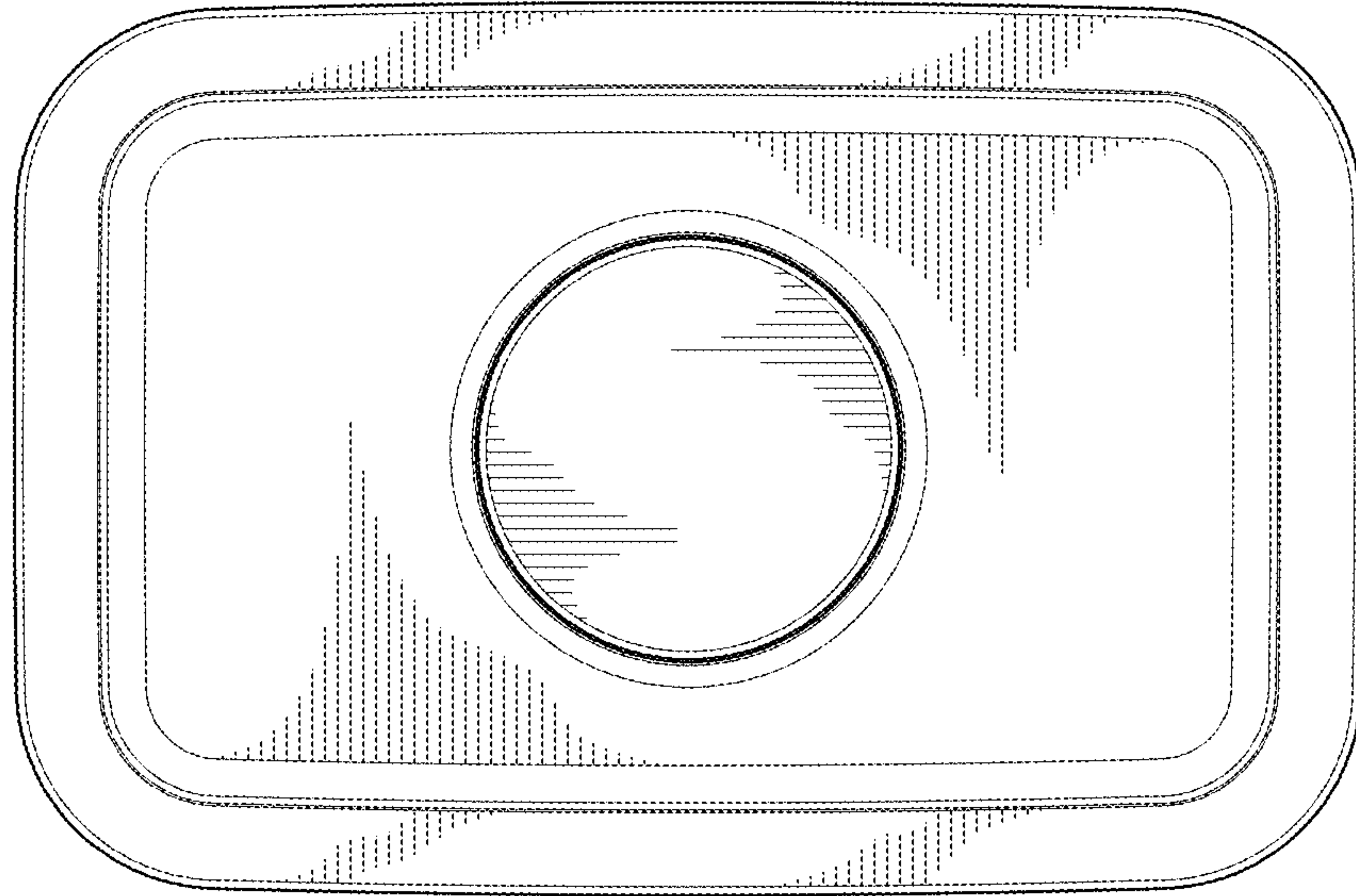


FIG. 151

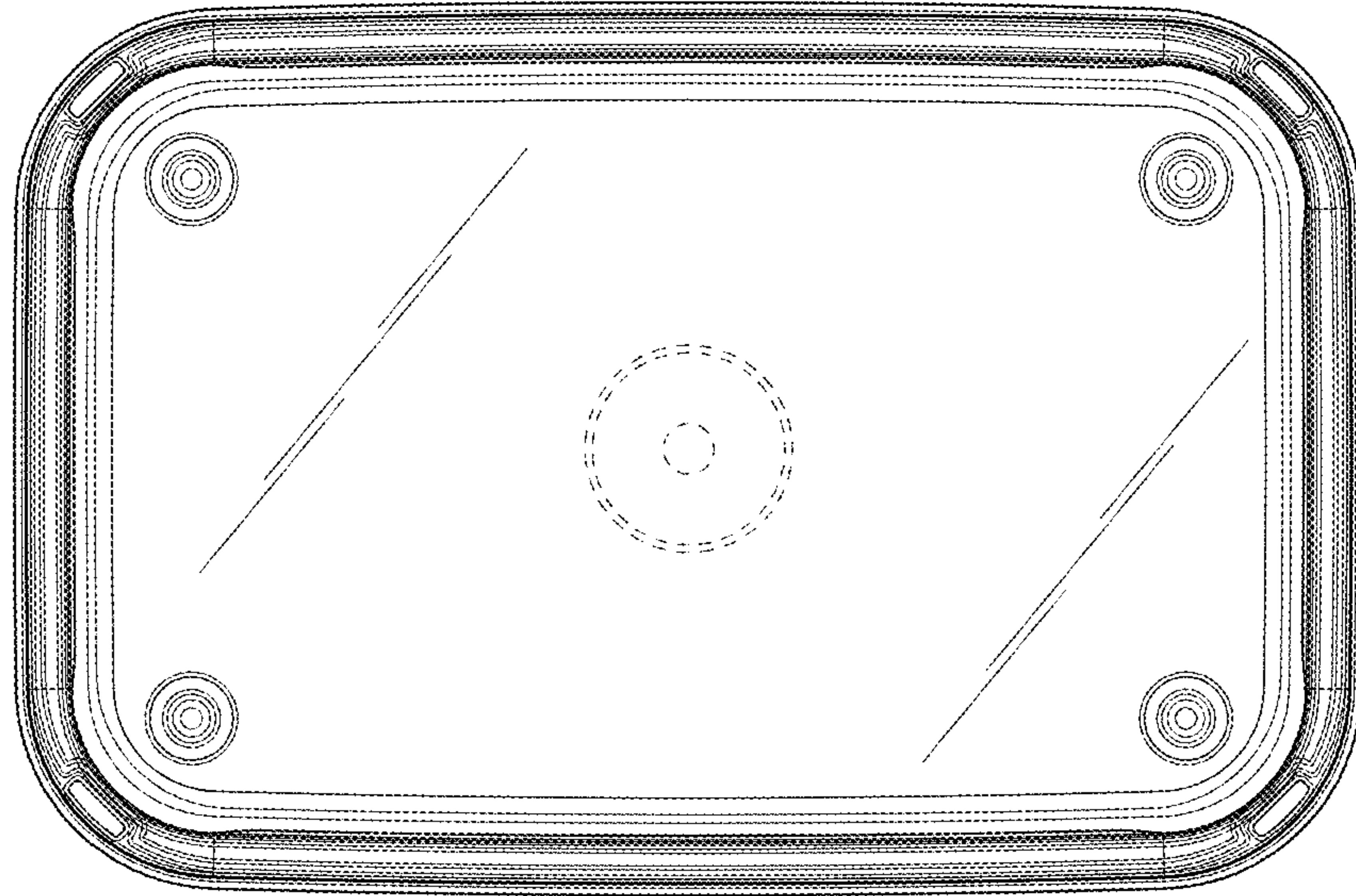


FIG. 152

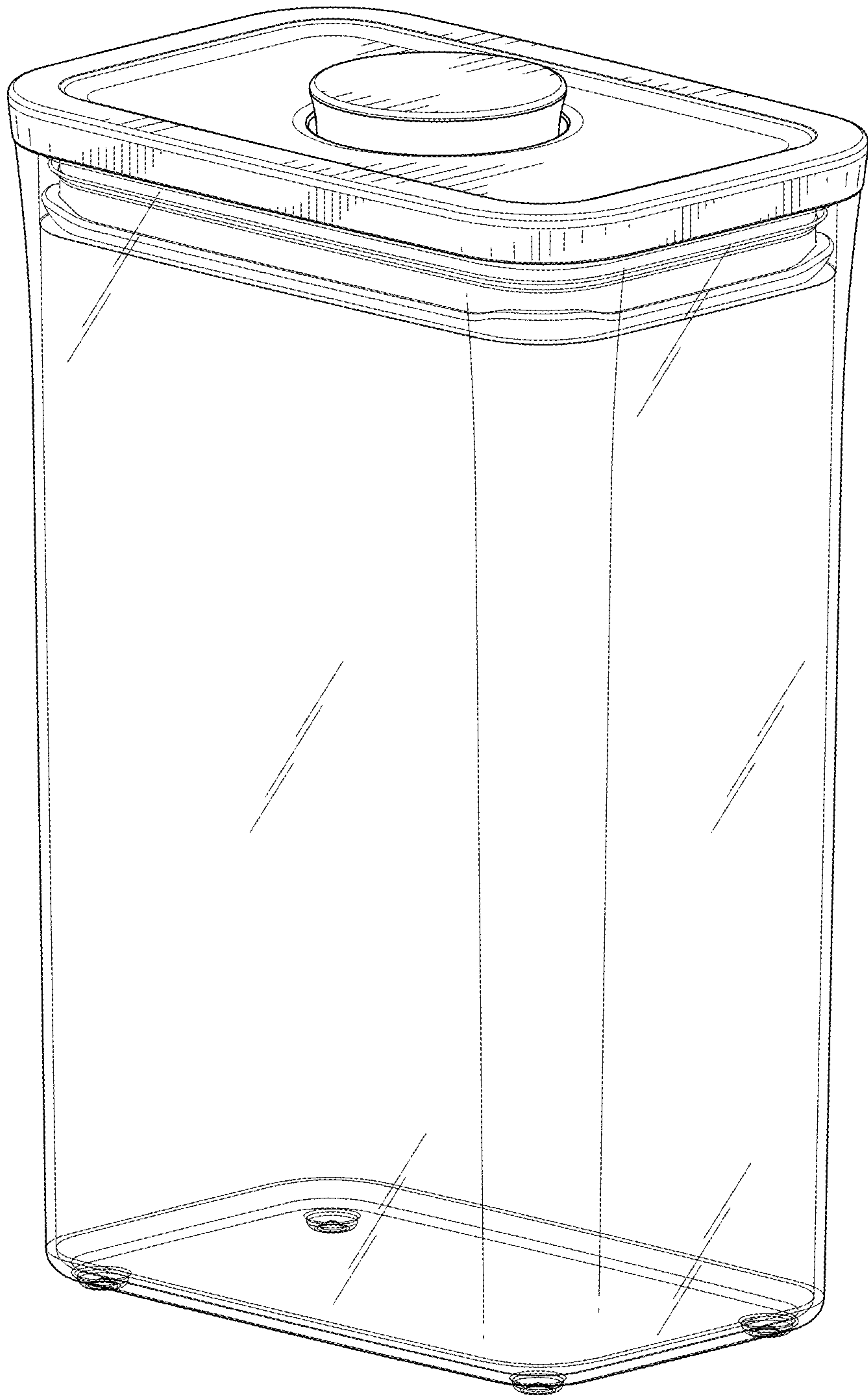


FIG. 153



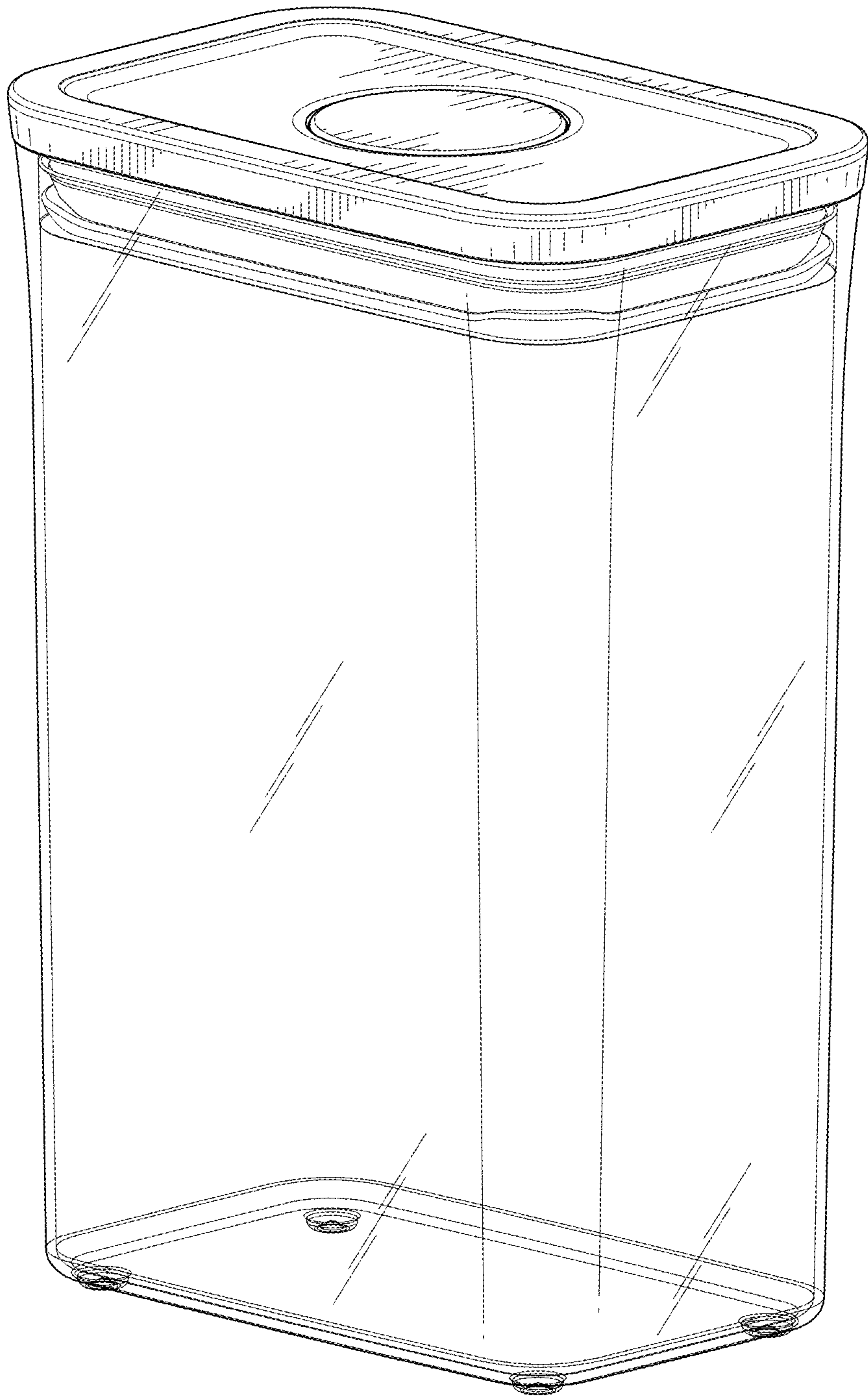


FIG. 154

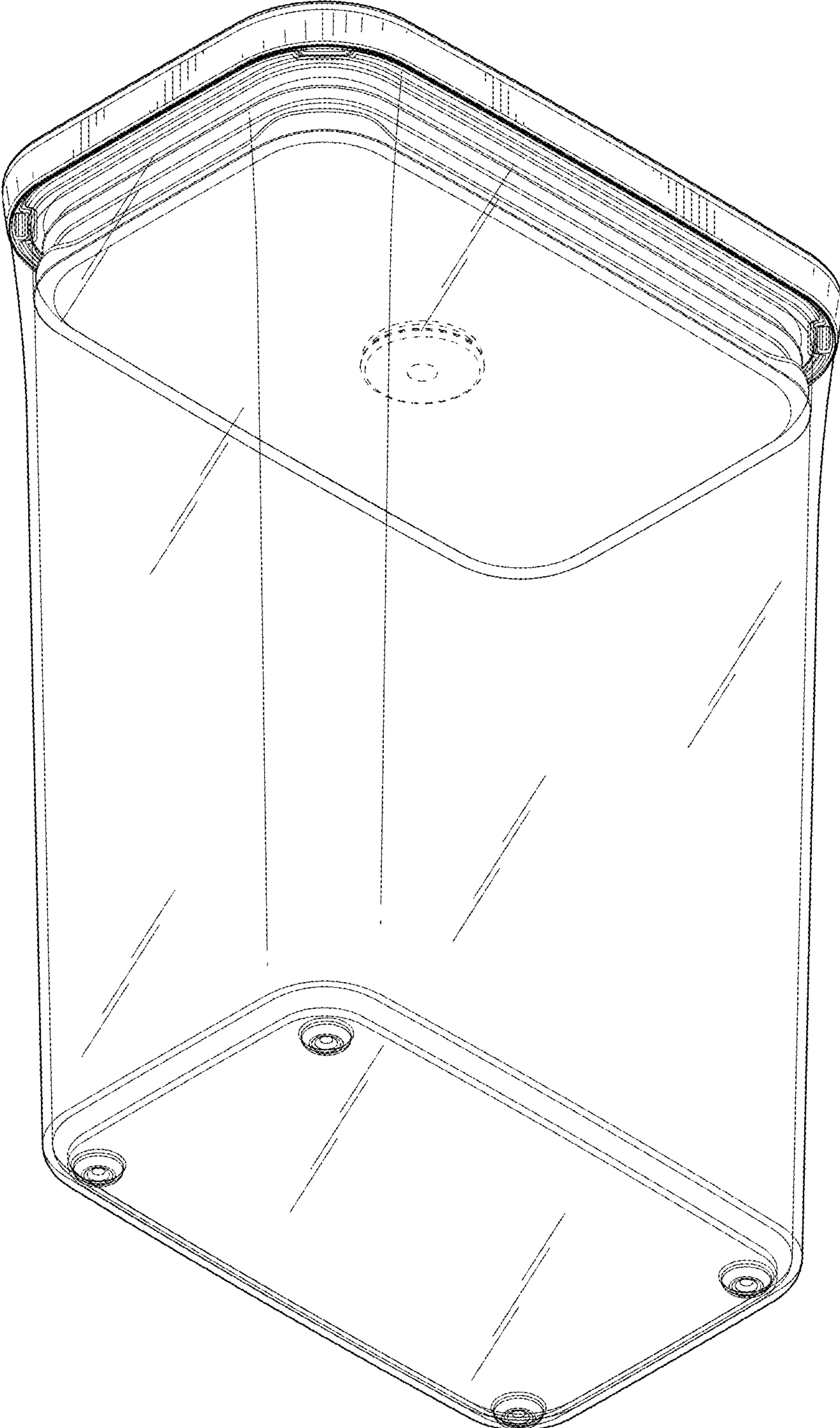


FIG. 155

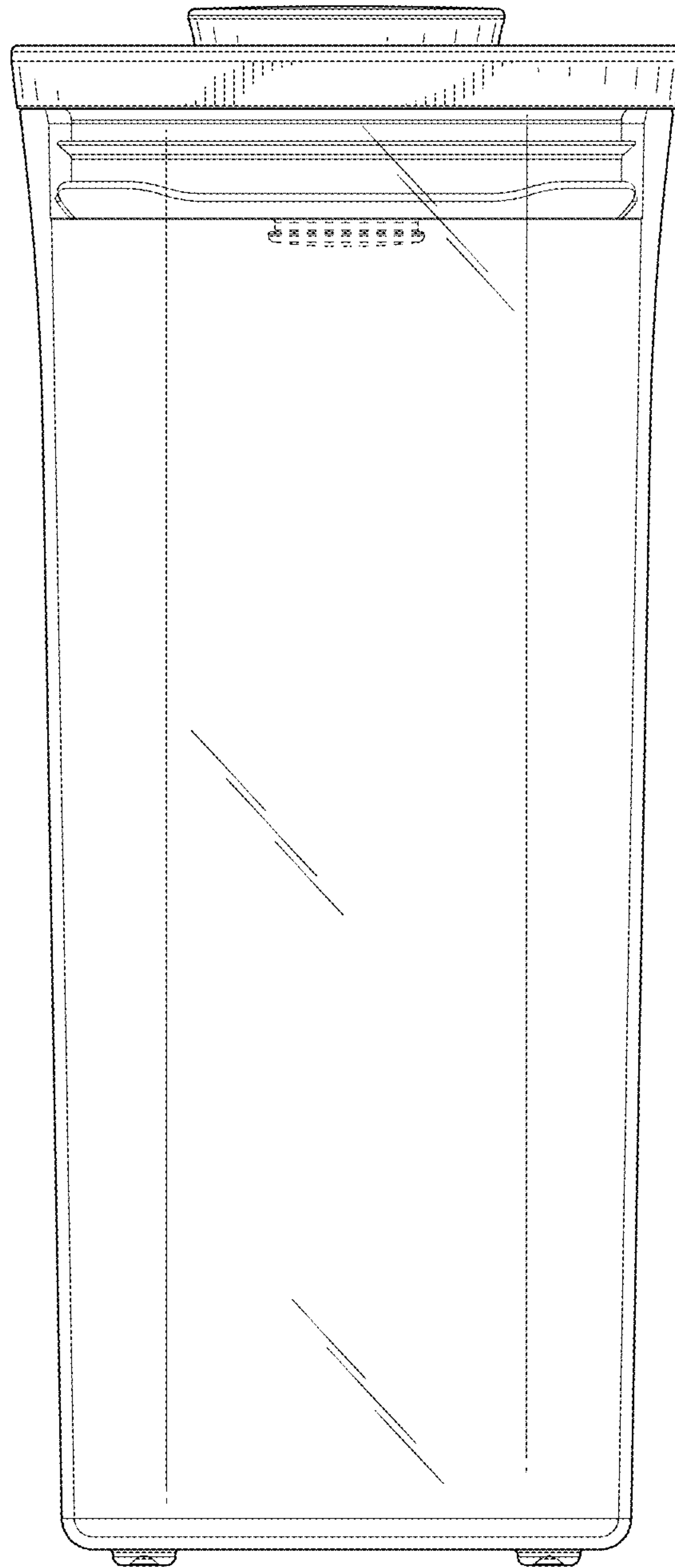


FIG. 156

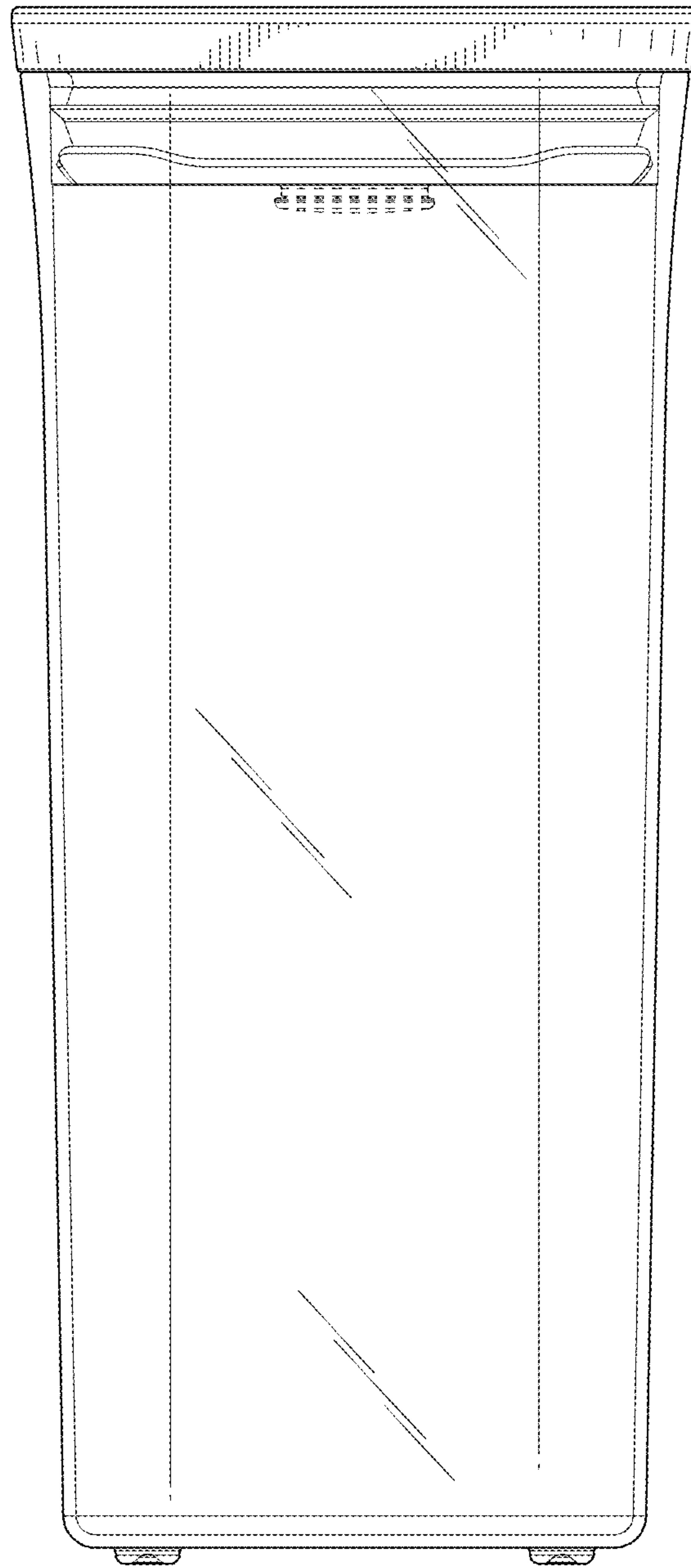


FIG. 157

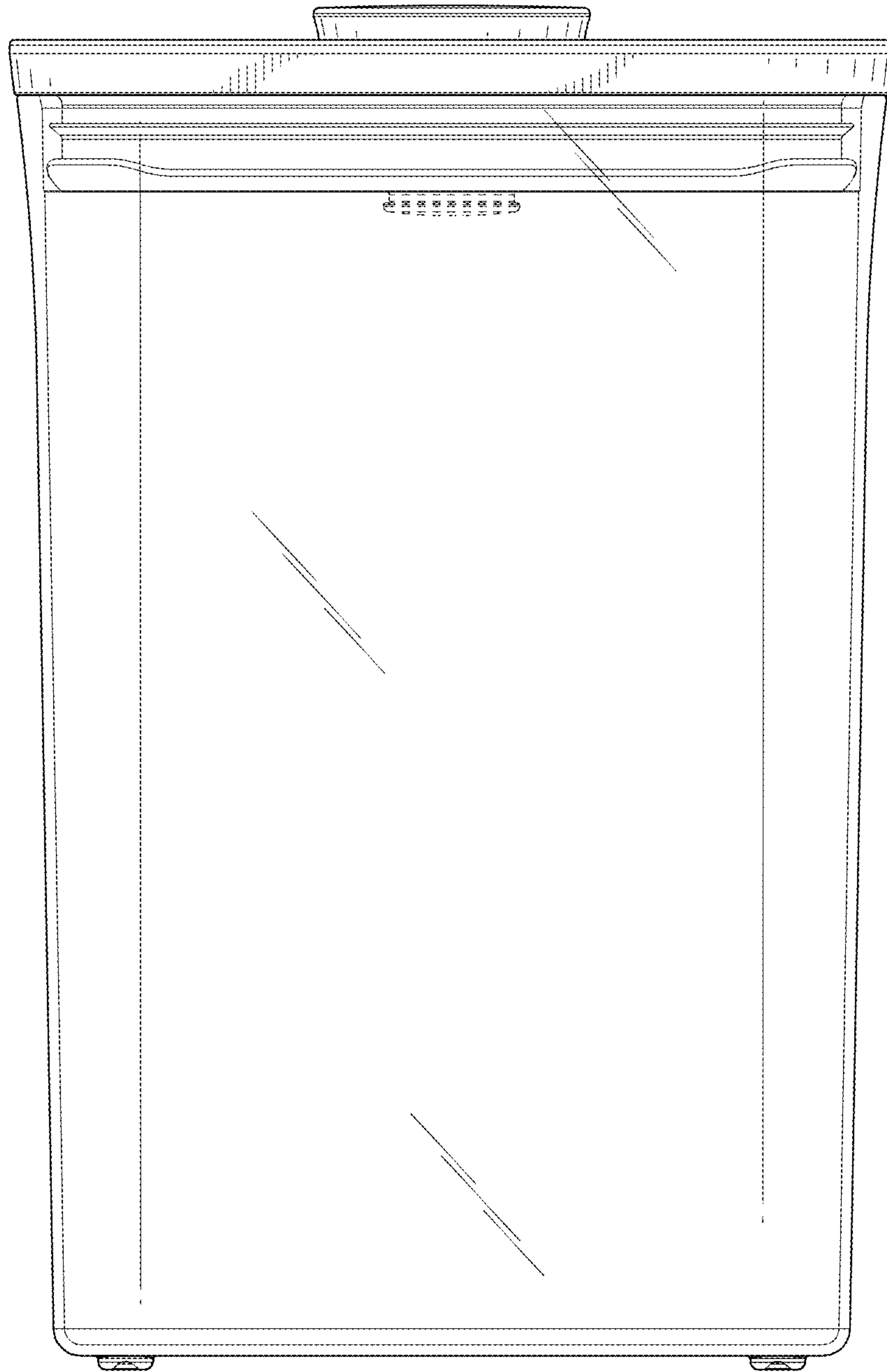


FIG. 158



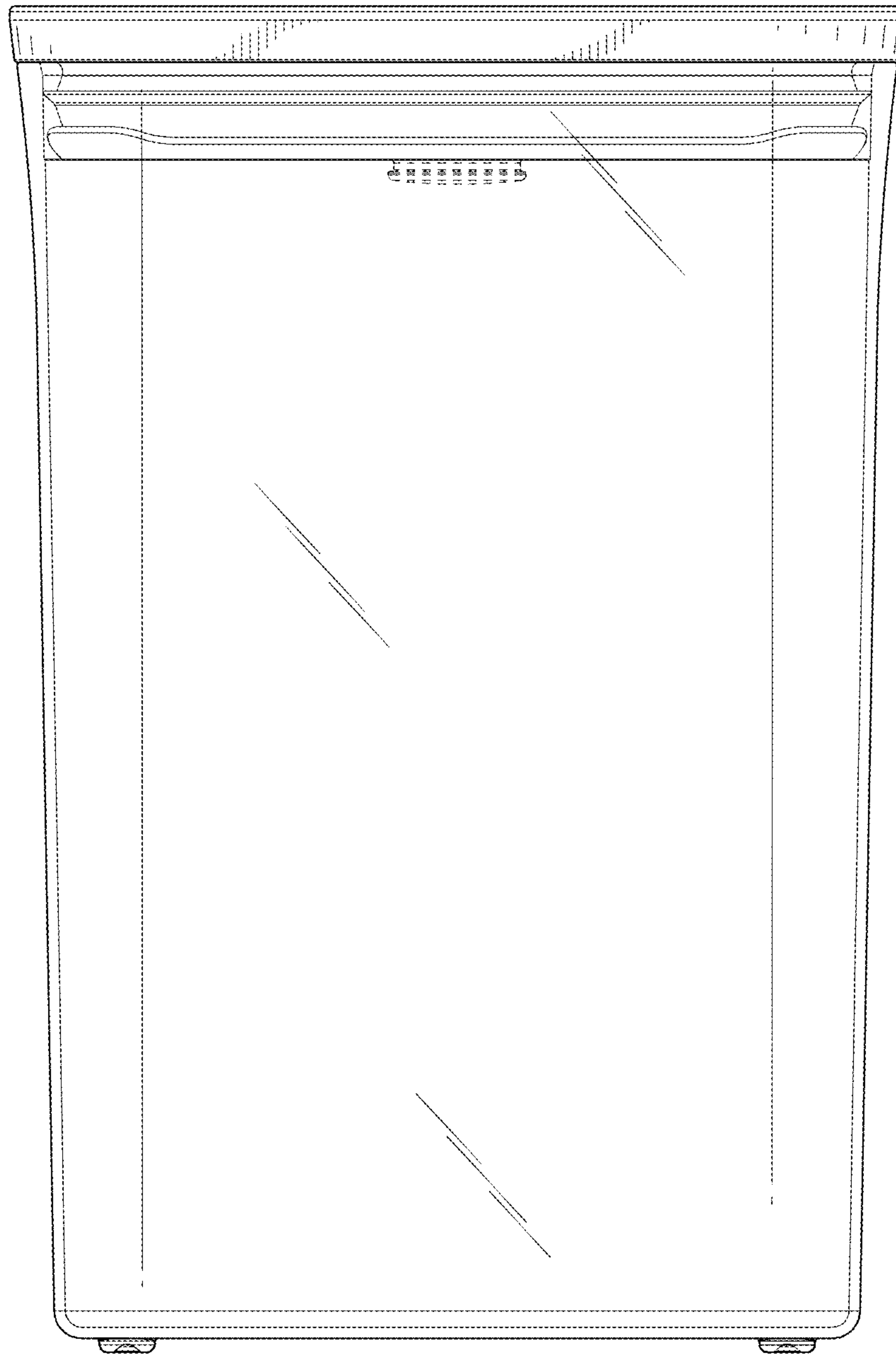


FIG. 159

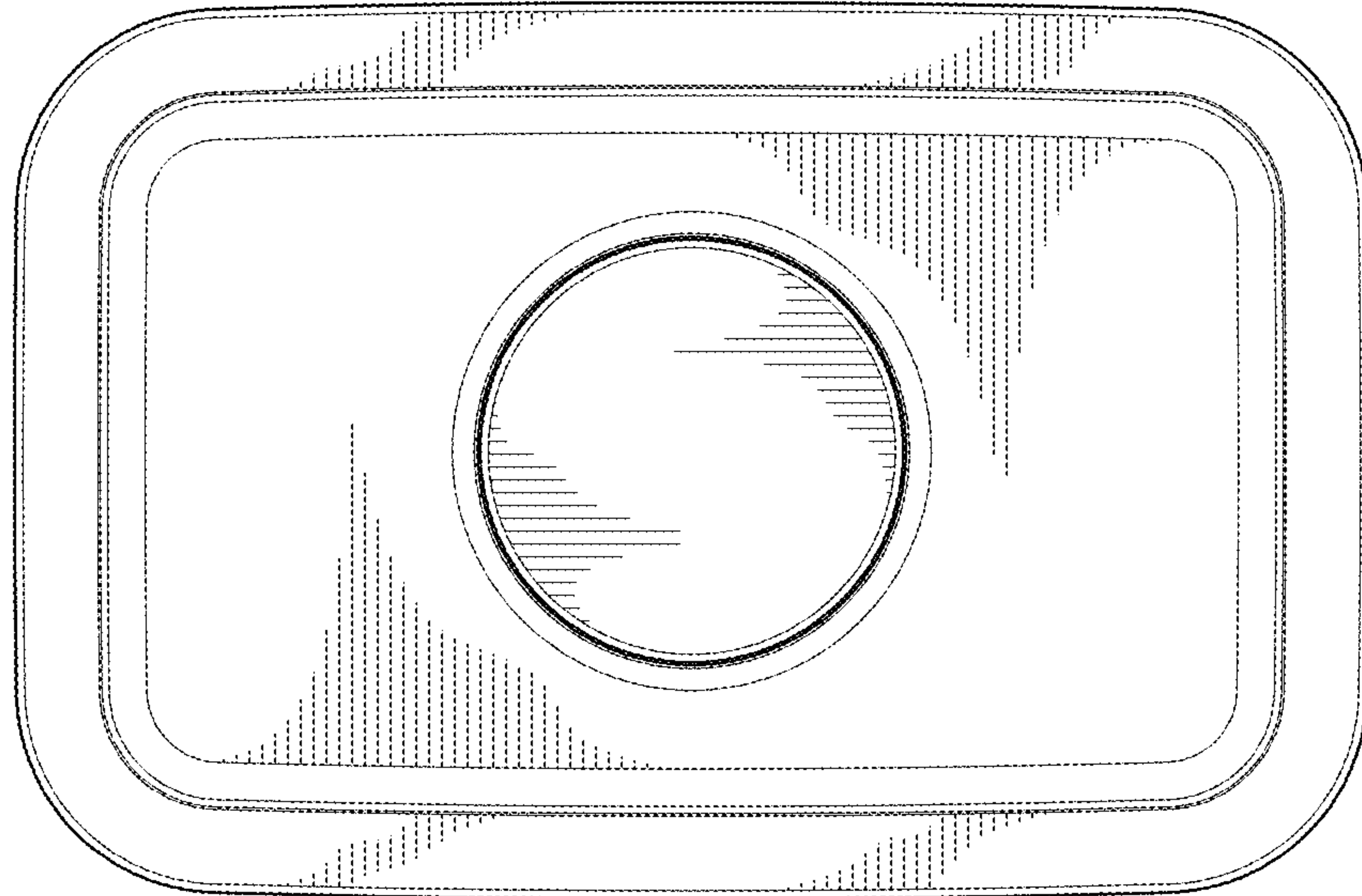


FIG. 160

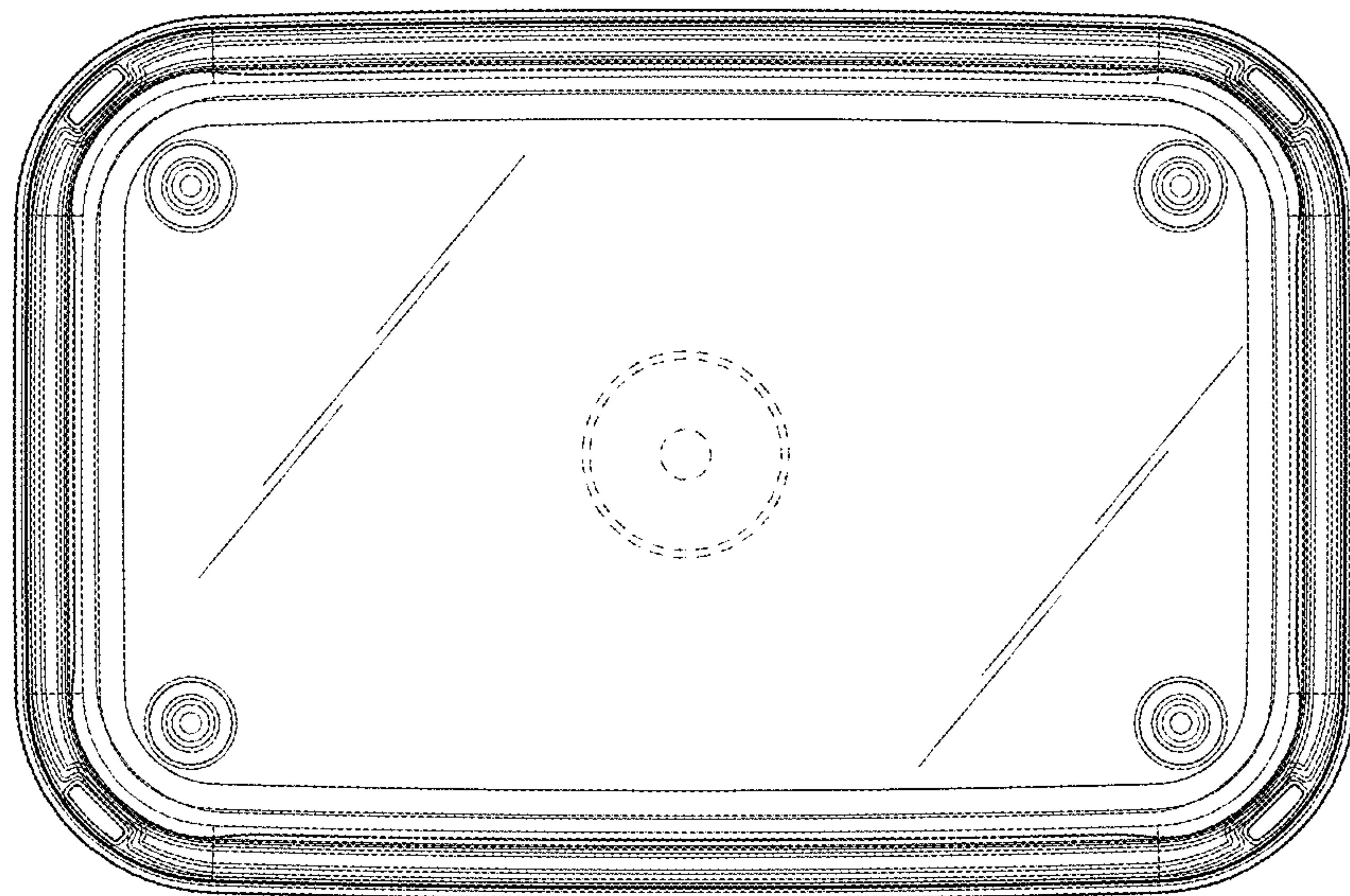


FIG. 161

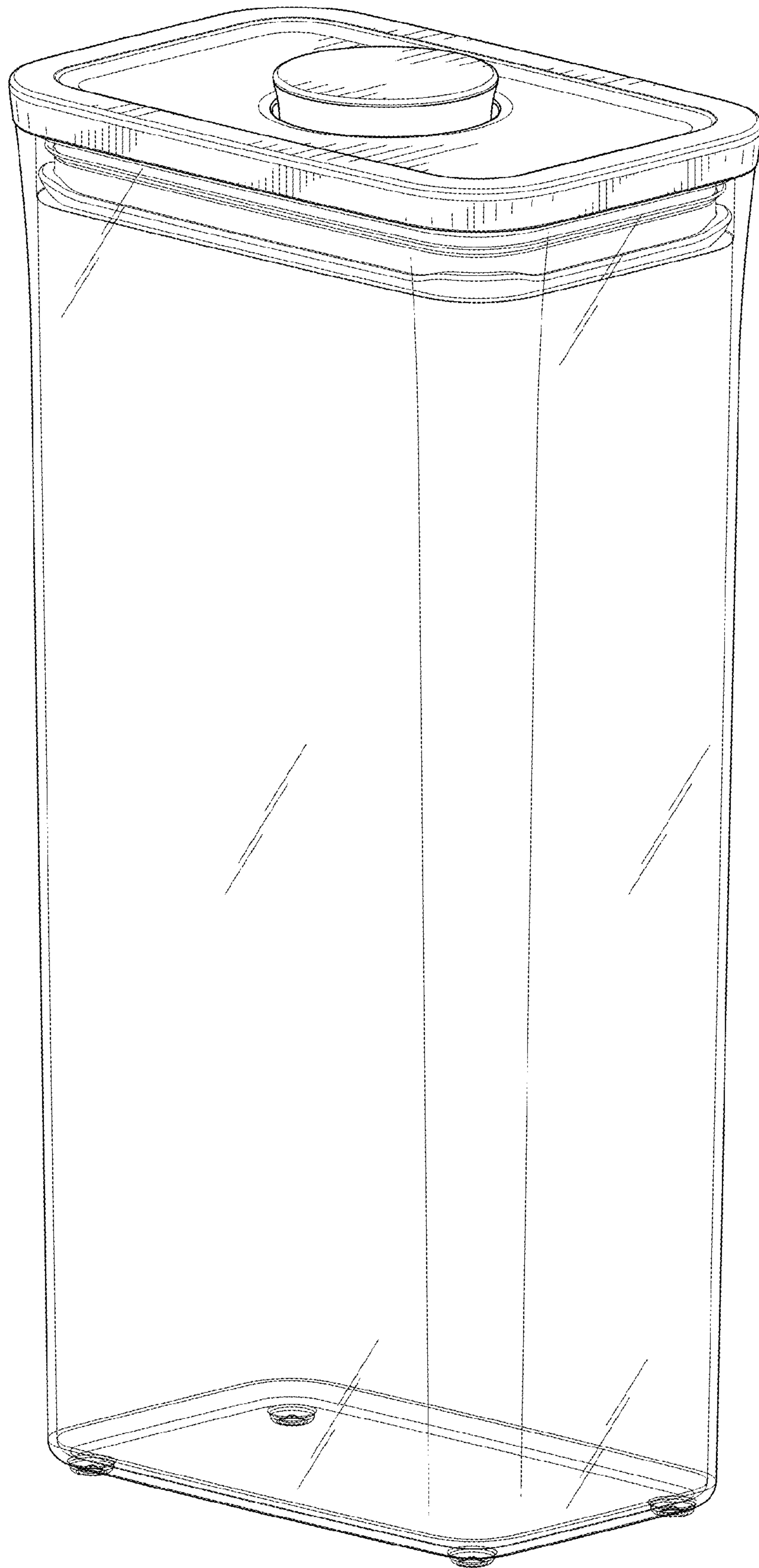


FIG. 162

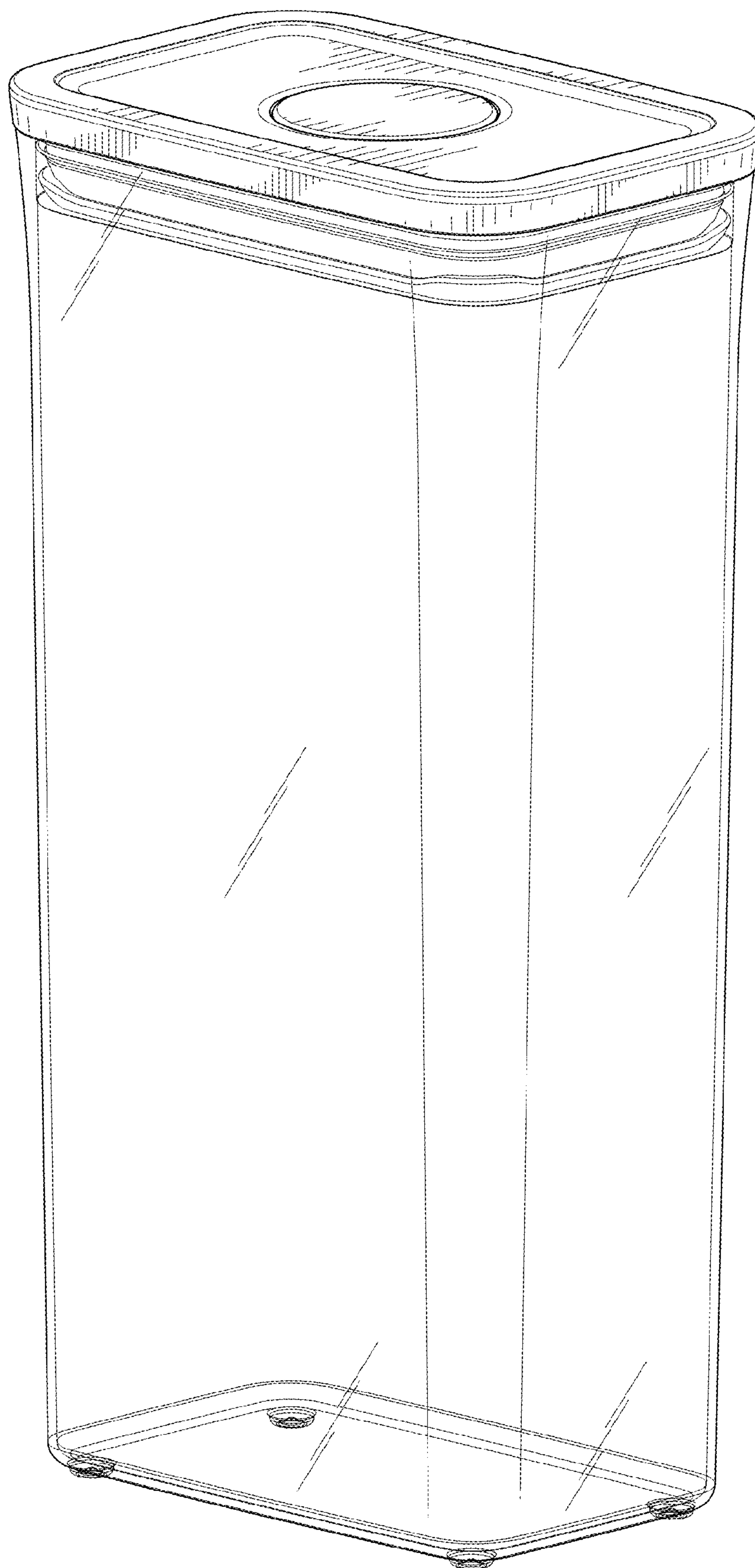


FIG. 163



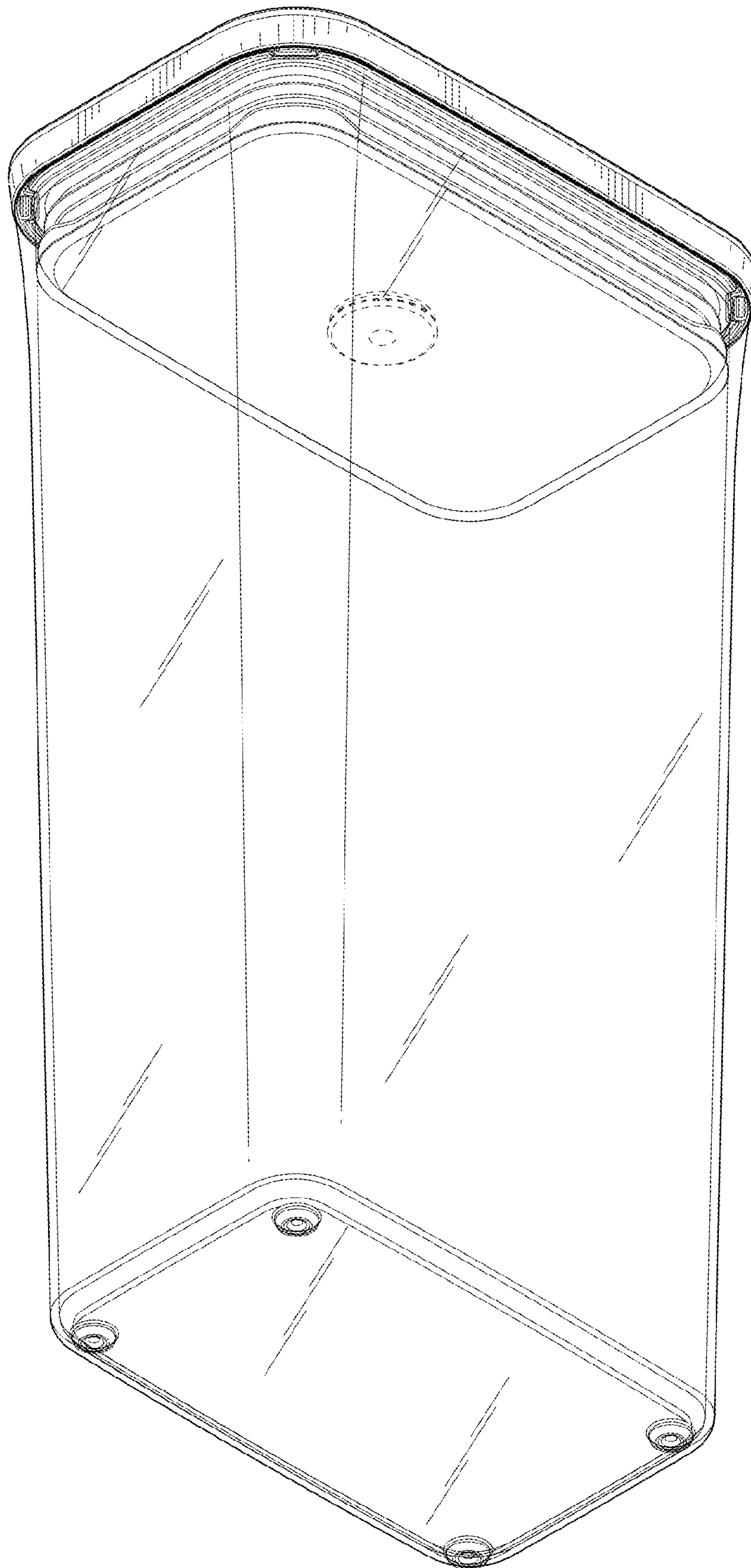


FIG. 164

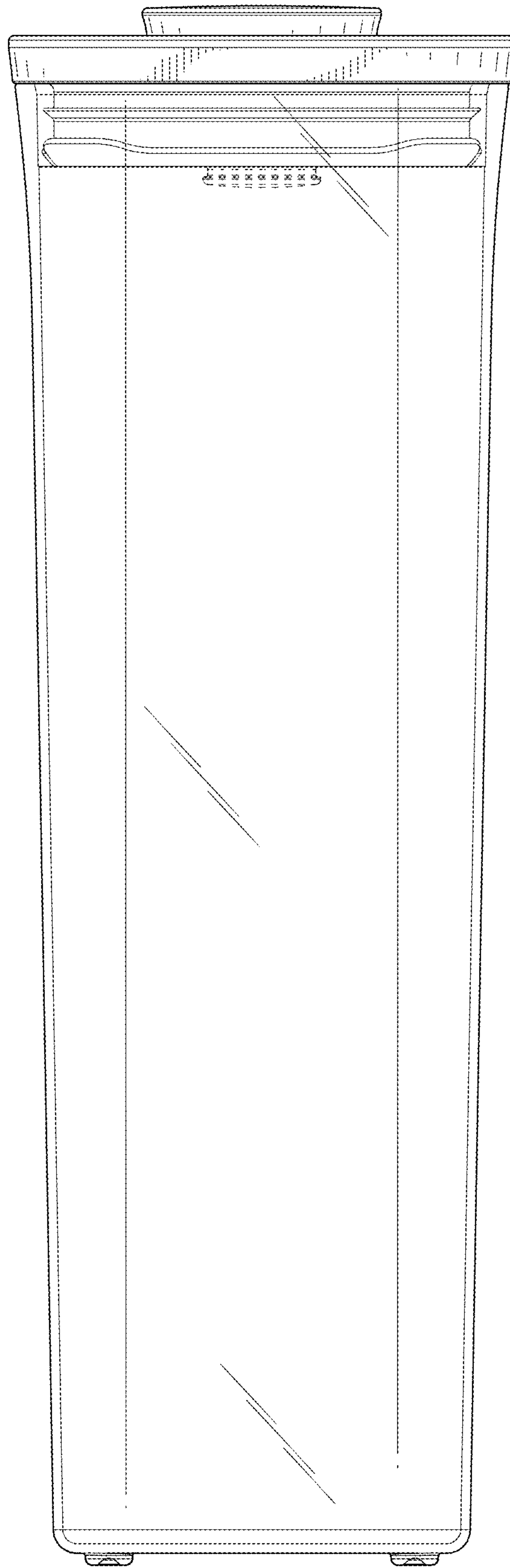


FIG. 165

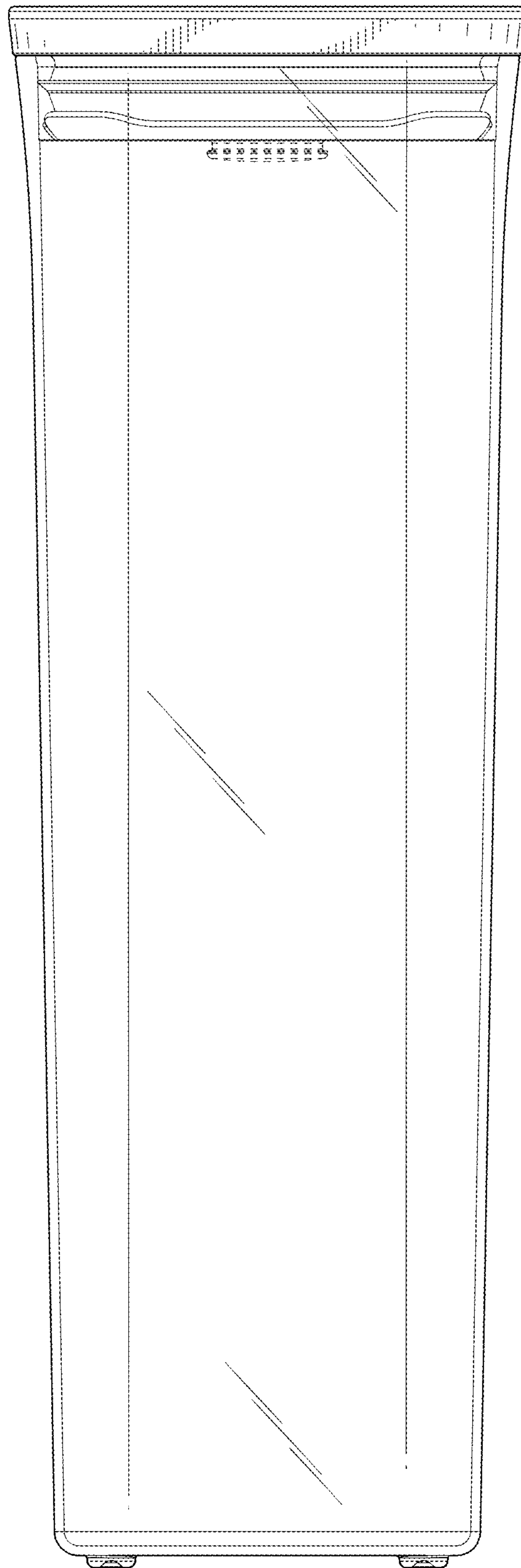


FIG. 166

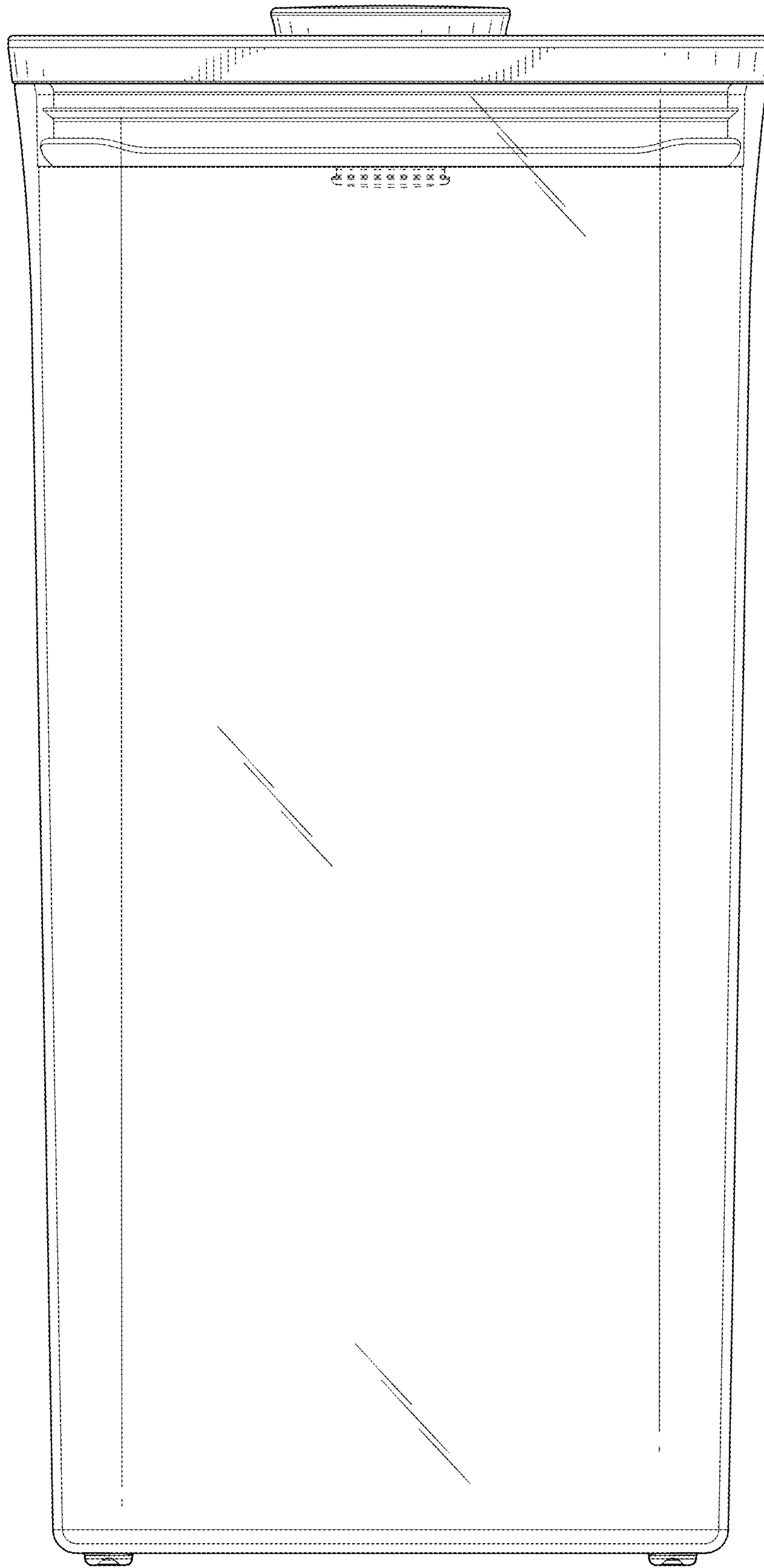


FIG. 167

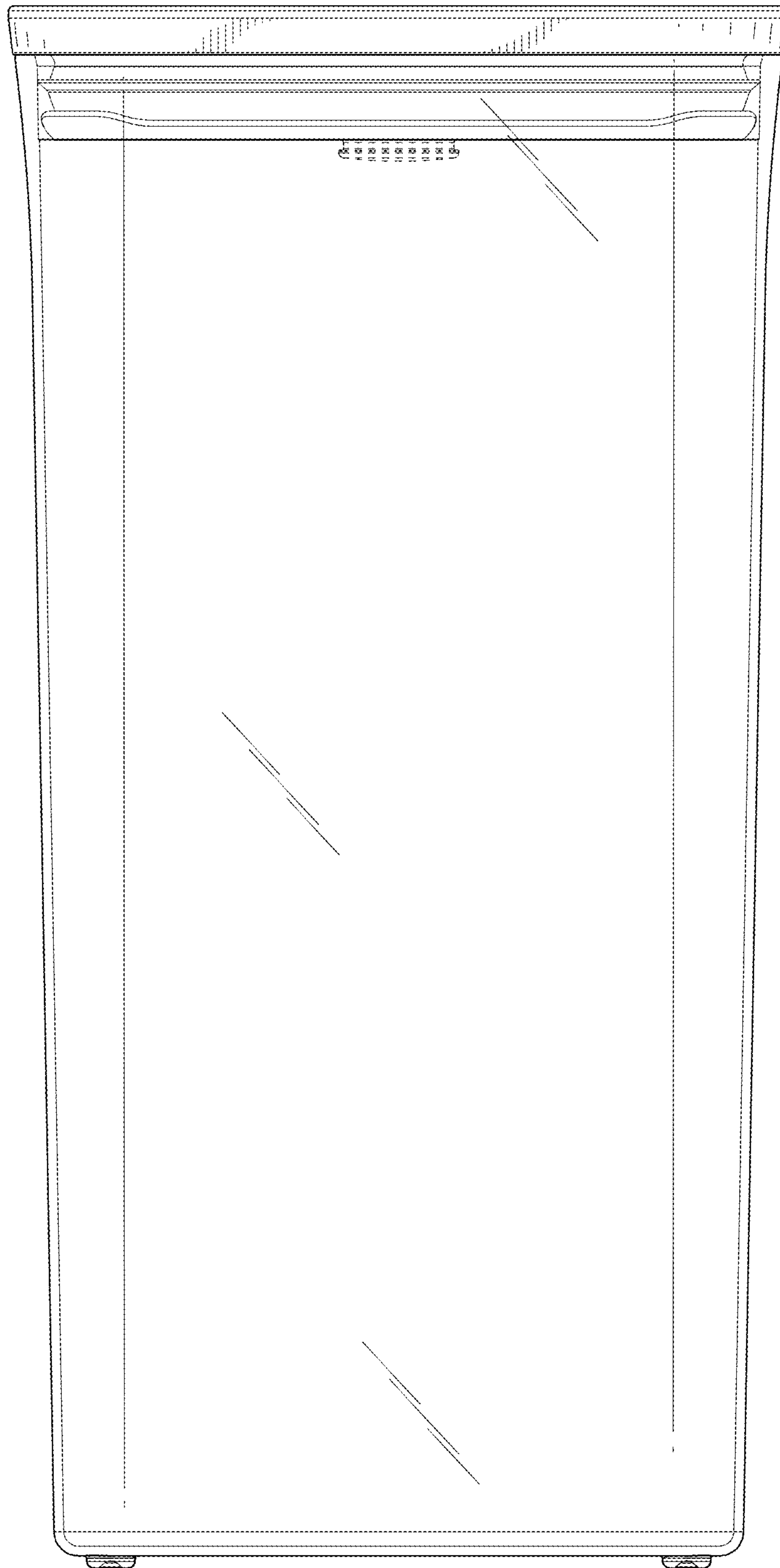


FIG. 168



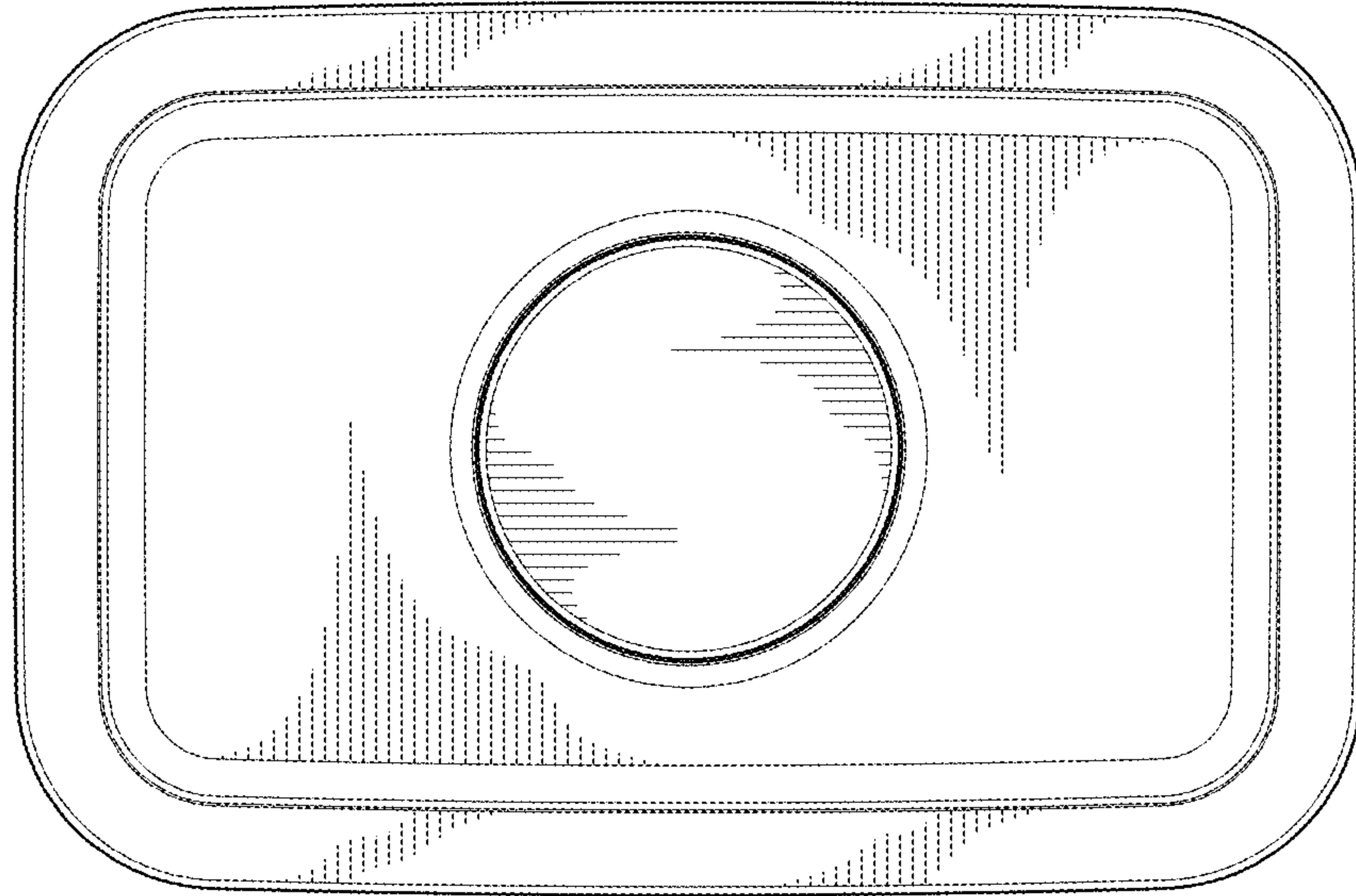


FIG. 169

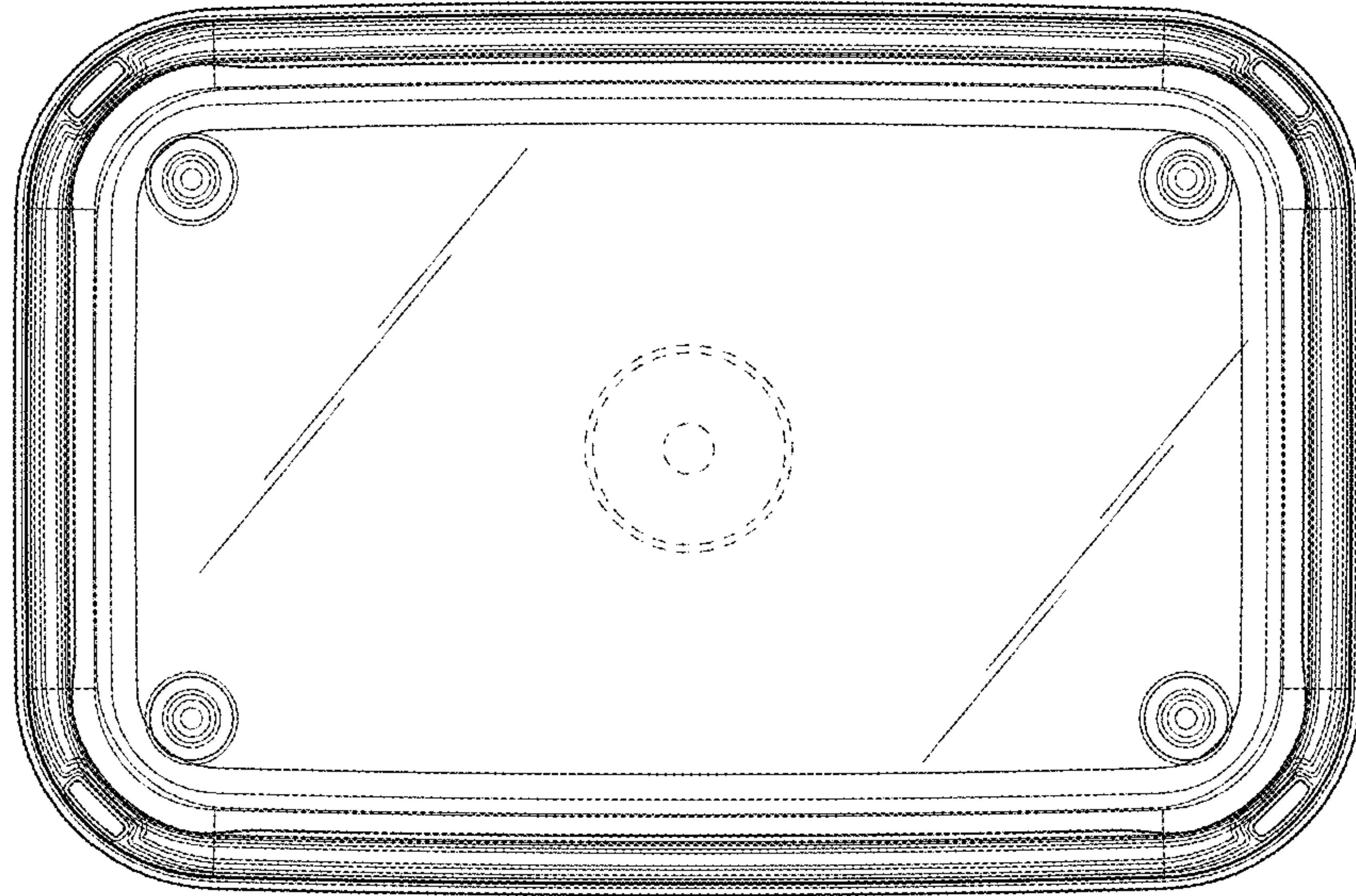


FIG. 170

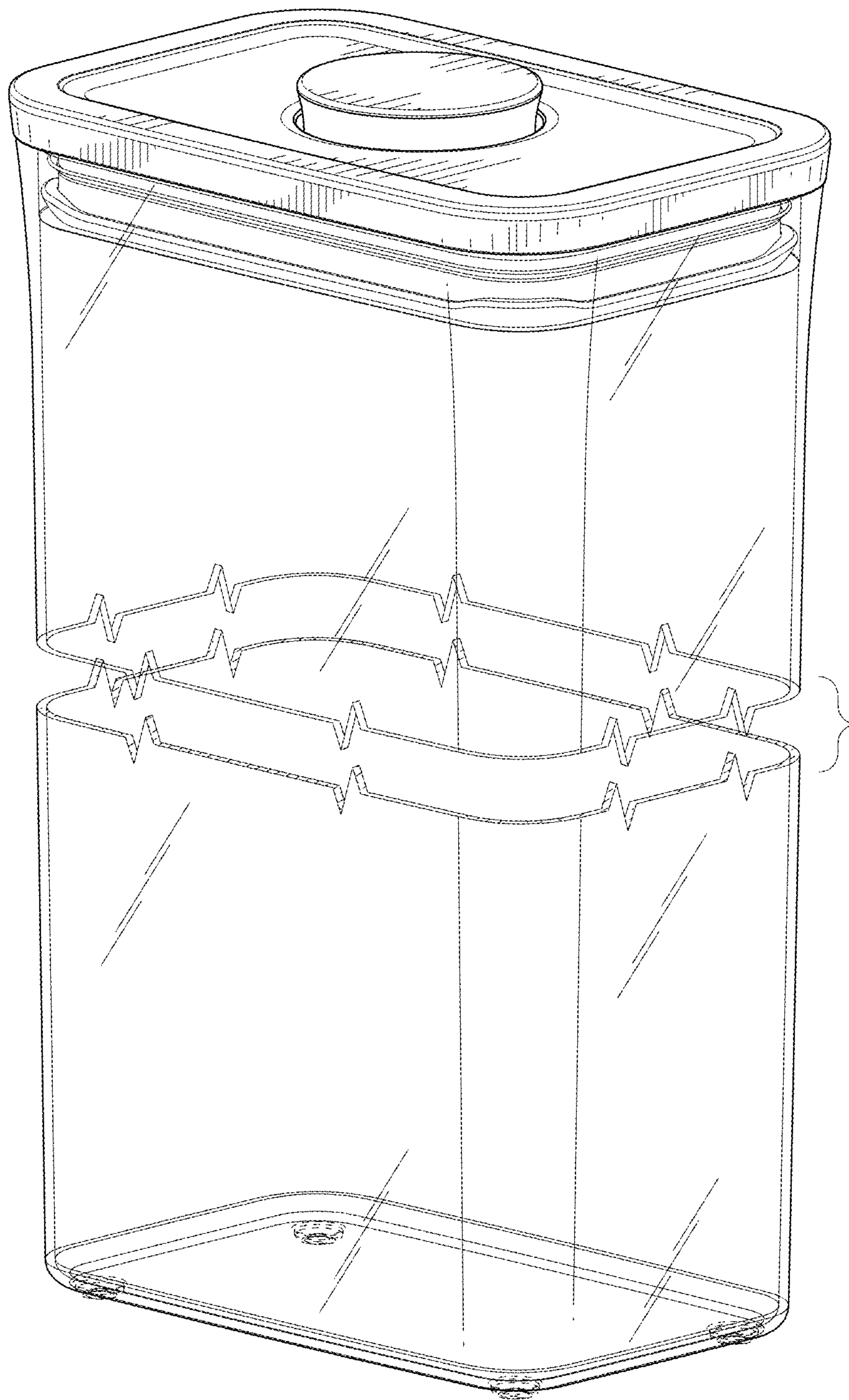


FIG. 171

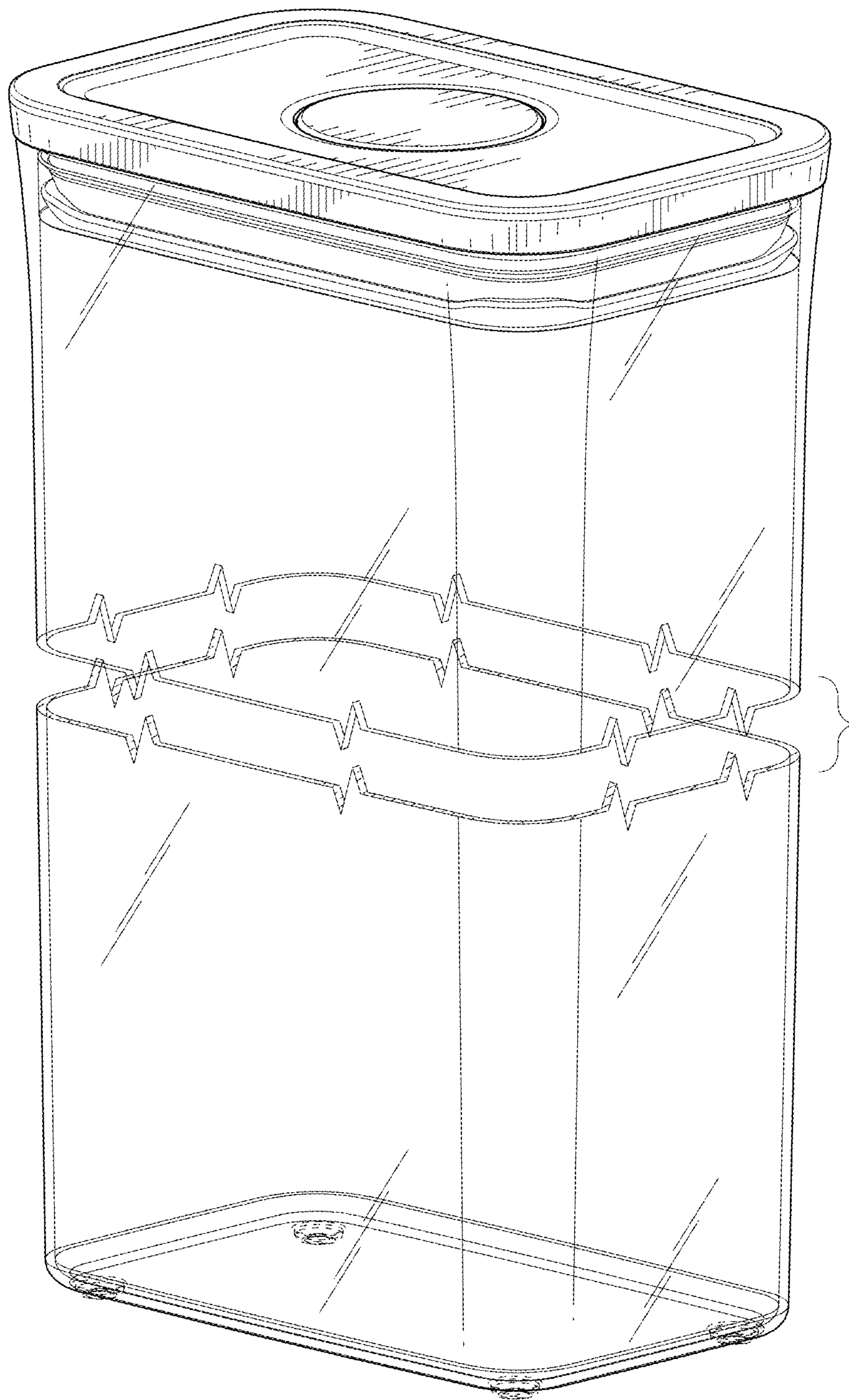


FIG. 172



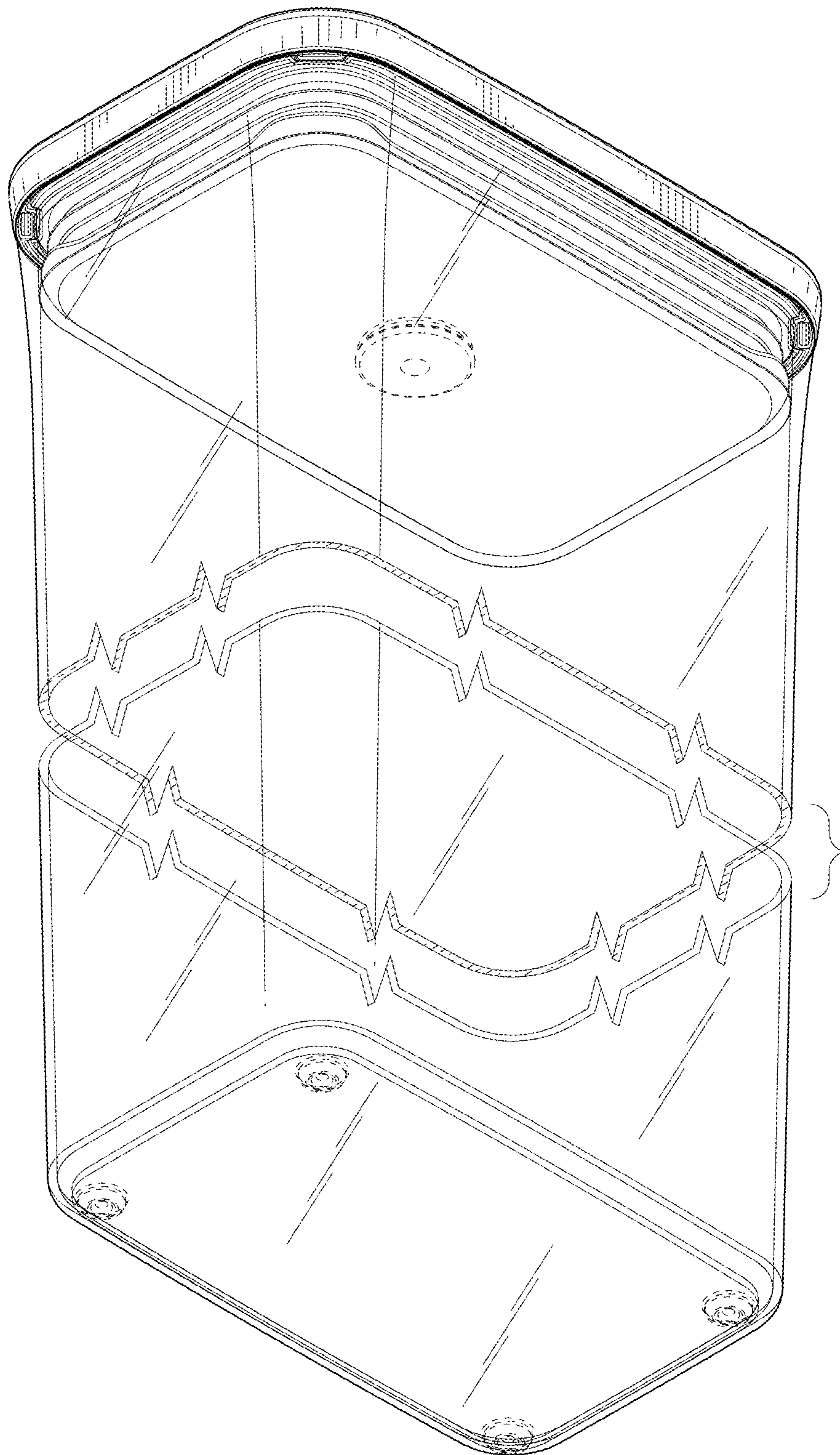


FIG. 173



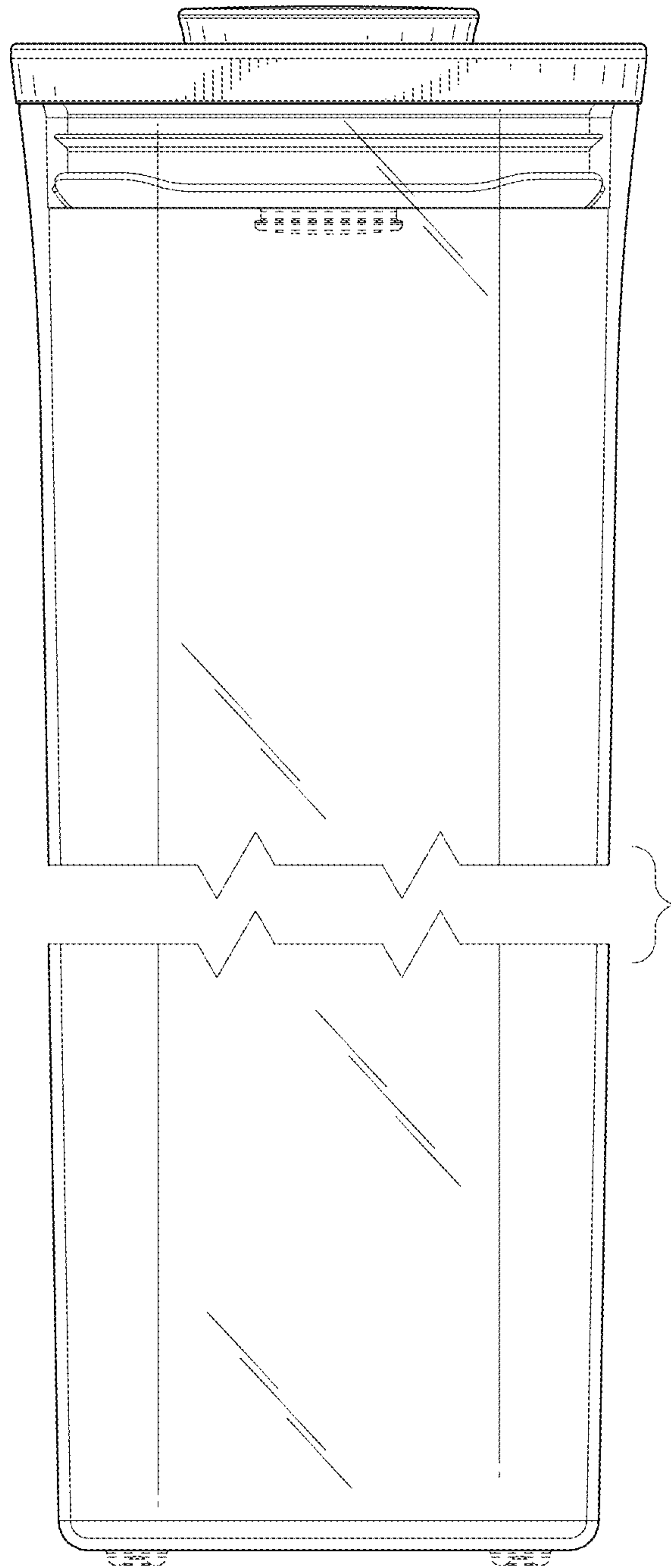


FIG. 174

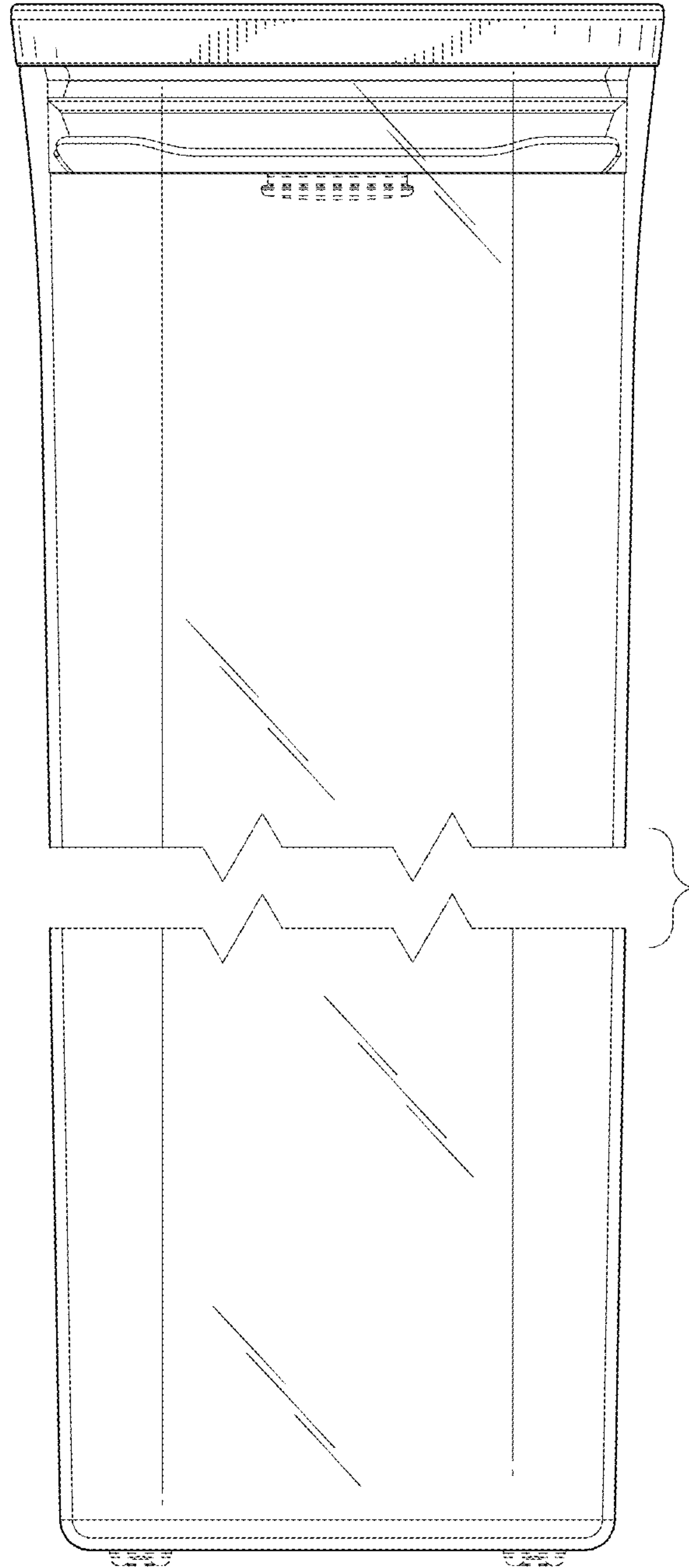


FIG. 175

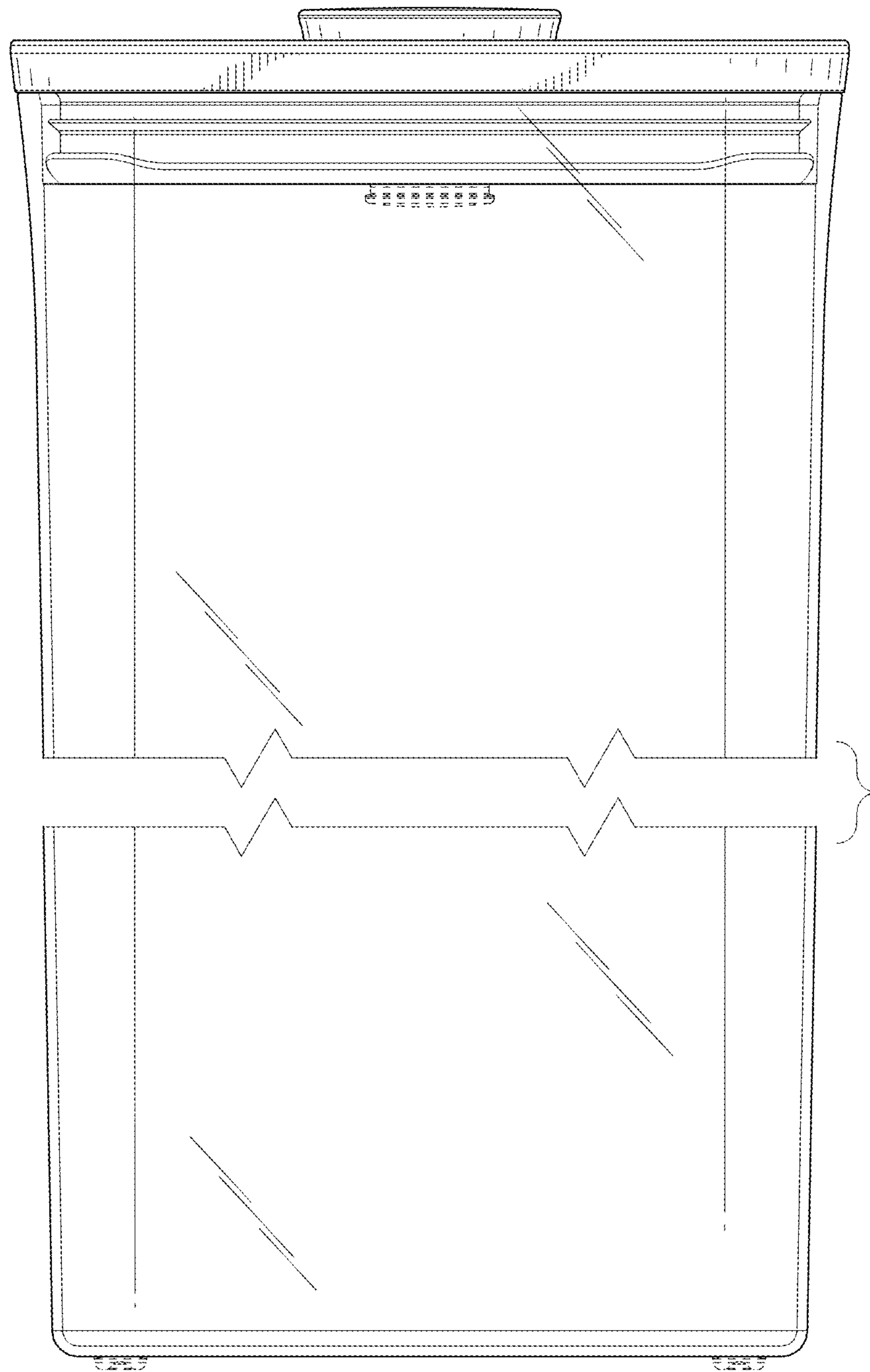


FIG. 176

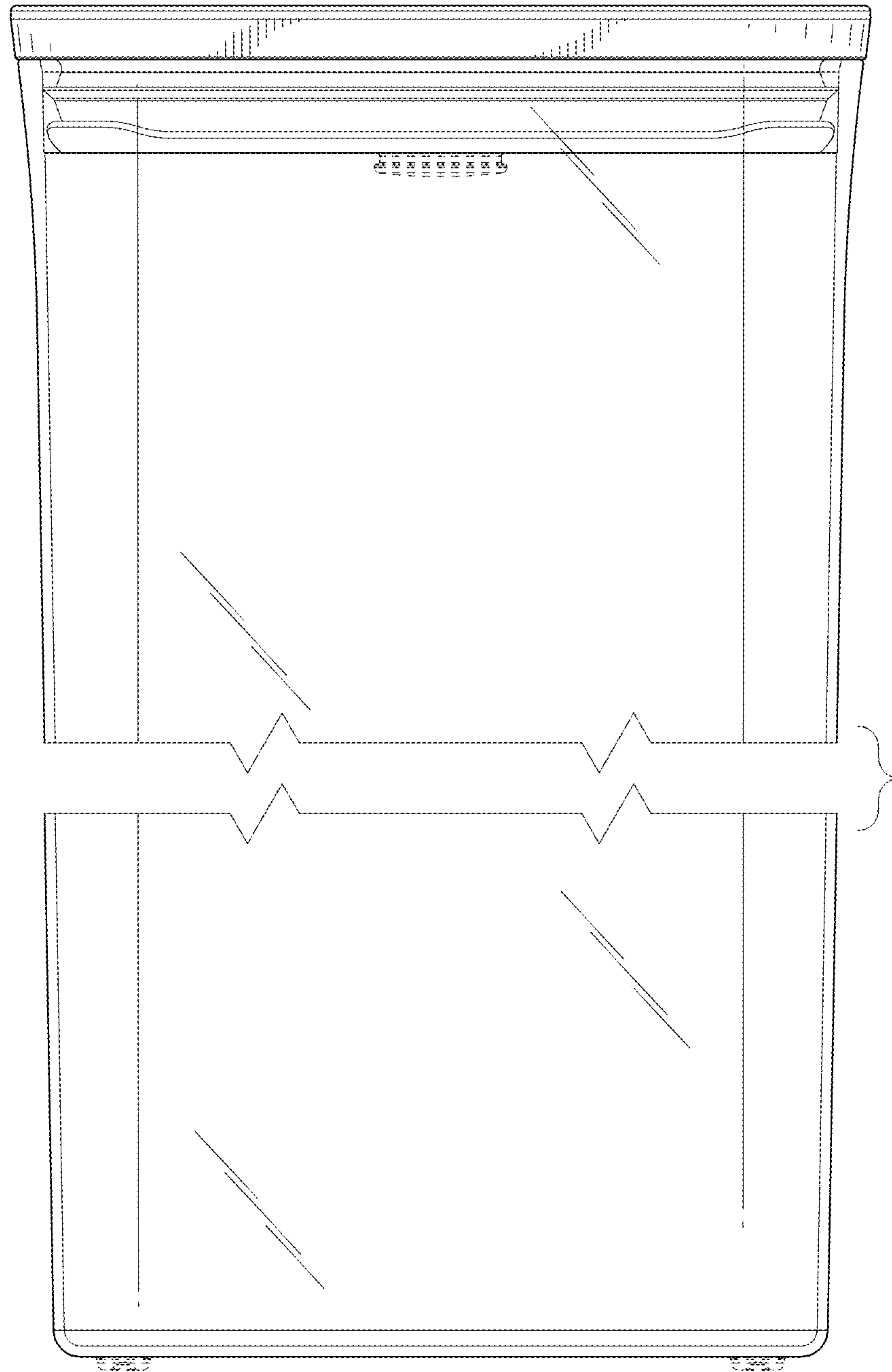


FIG. 177

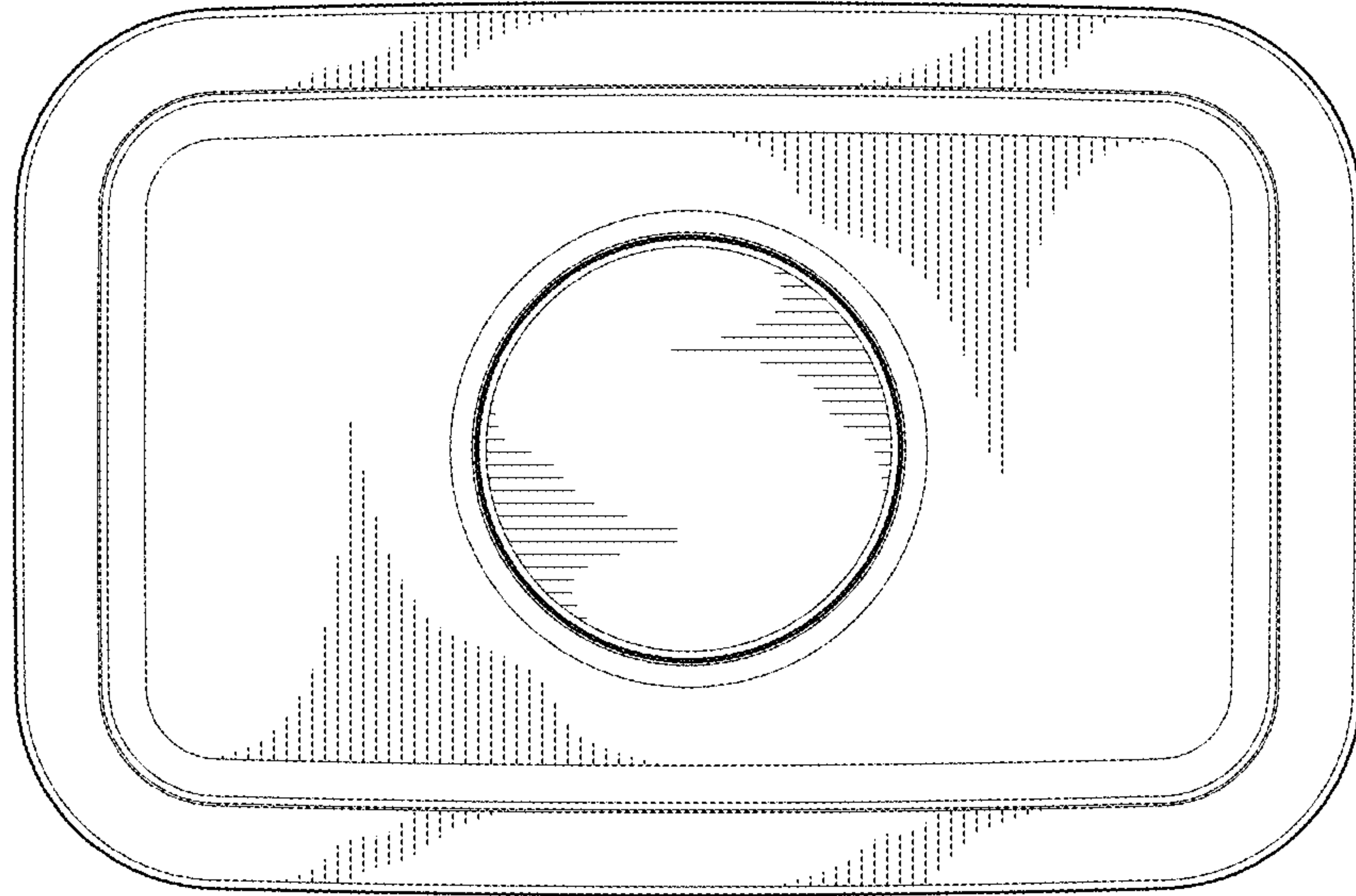


FIG. 178



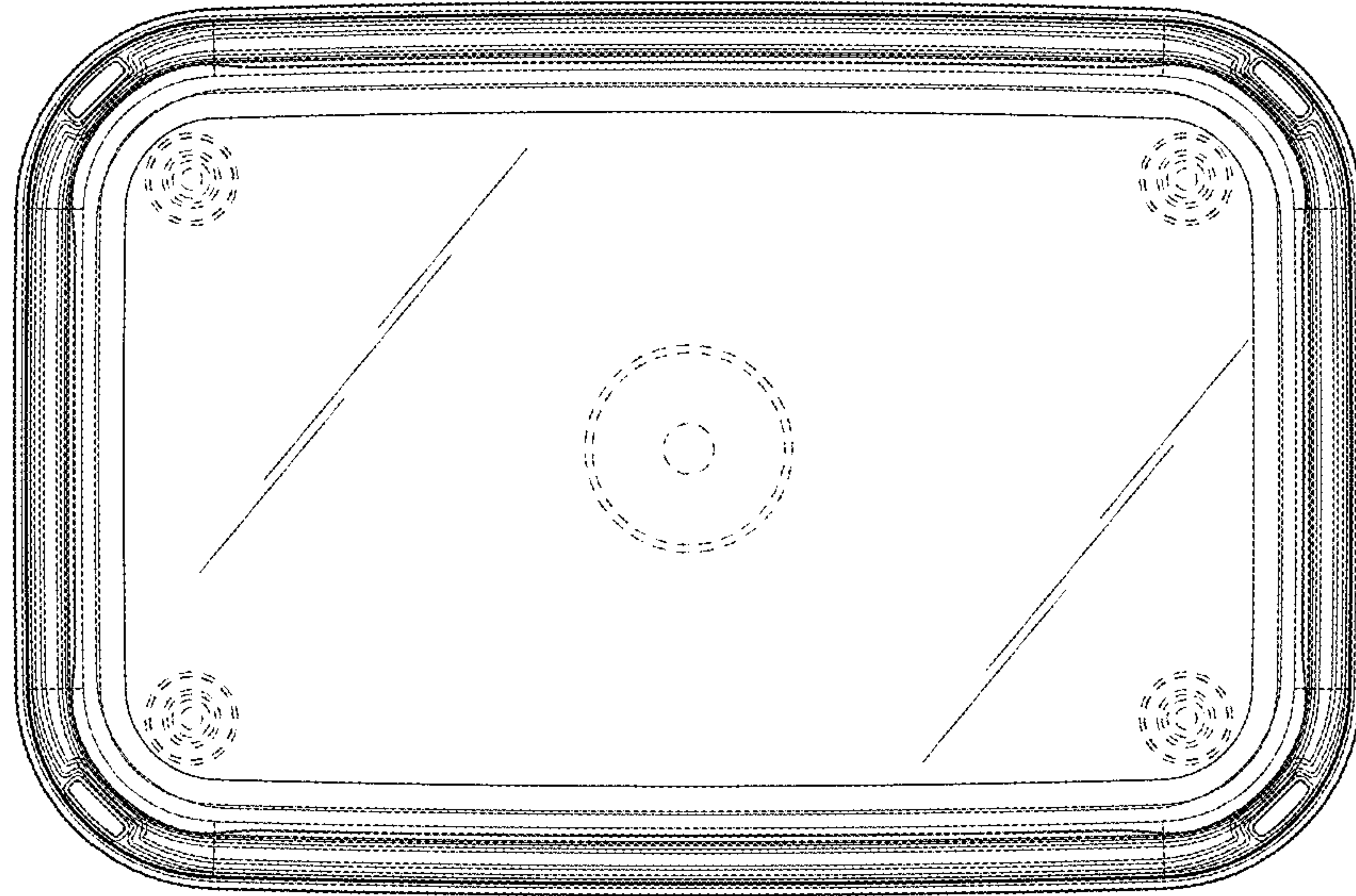


FIG. 179