



US00D955185S

(12) **United States Design Patent** (10) **Patent No.:** **US D955,185 S**
Sutton (45) **Date of Patent:** **** Jun. 21, 2022**

(54) **CUP HOLDER**

(71) Applicant: **Mark Edward Sutton**, Kingsport, TN (US)

(72) Inventor: **Mark Edward Sutton**, Kingsport, TN (US)

(**) Term: **15 Years**

(21) Appl. No.: **29/696,076**

(22) Filed: **Jun. 25, 2019**

Related U.S. Application Data

(60) Provisional application No. 62/764,542, filed on Aug. 9, 2018, provisional application No. 62/764,159, filed on Jul. 23, 2018, provisional application No. 62/764,053, filed on Jul. 16, 2018.

(51) **LOC (13) Cl.** **07-06**

(52) **U.S. Cl.**
USPC **D7/622**

(58) **Field of Classification Search**
USPC D7/619.1-625, 533-536, 393
CPC A47G 23/0266; A47G 23/0233; A47G 23/0241; A47G 23/0216; A47G 23/02; A47G 23/0208; A47G 19/2205; B65D 25/2829; B65D 25/2817; A45F 5/10; A47J 45/10; A47J 45/077

See application file for complete search history.

(56) **References Cited**

U.S. PATENT DOCUMENTS

D241,906 S * 10/1976 Dart D7/622
D260,471 S * 9/1981 Douglas D7/622
D370,384 S * 6/1996 Shamis D7/393

* cited by examiner

Primary Examiner — Terry A Wallace

(74) *Attorney, Agent, or Firm* — Dale Jensen, PLC; Dale Jensen

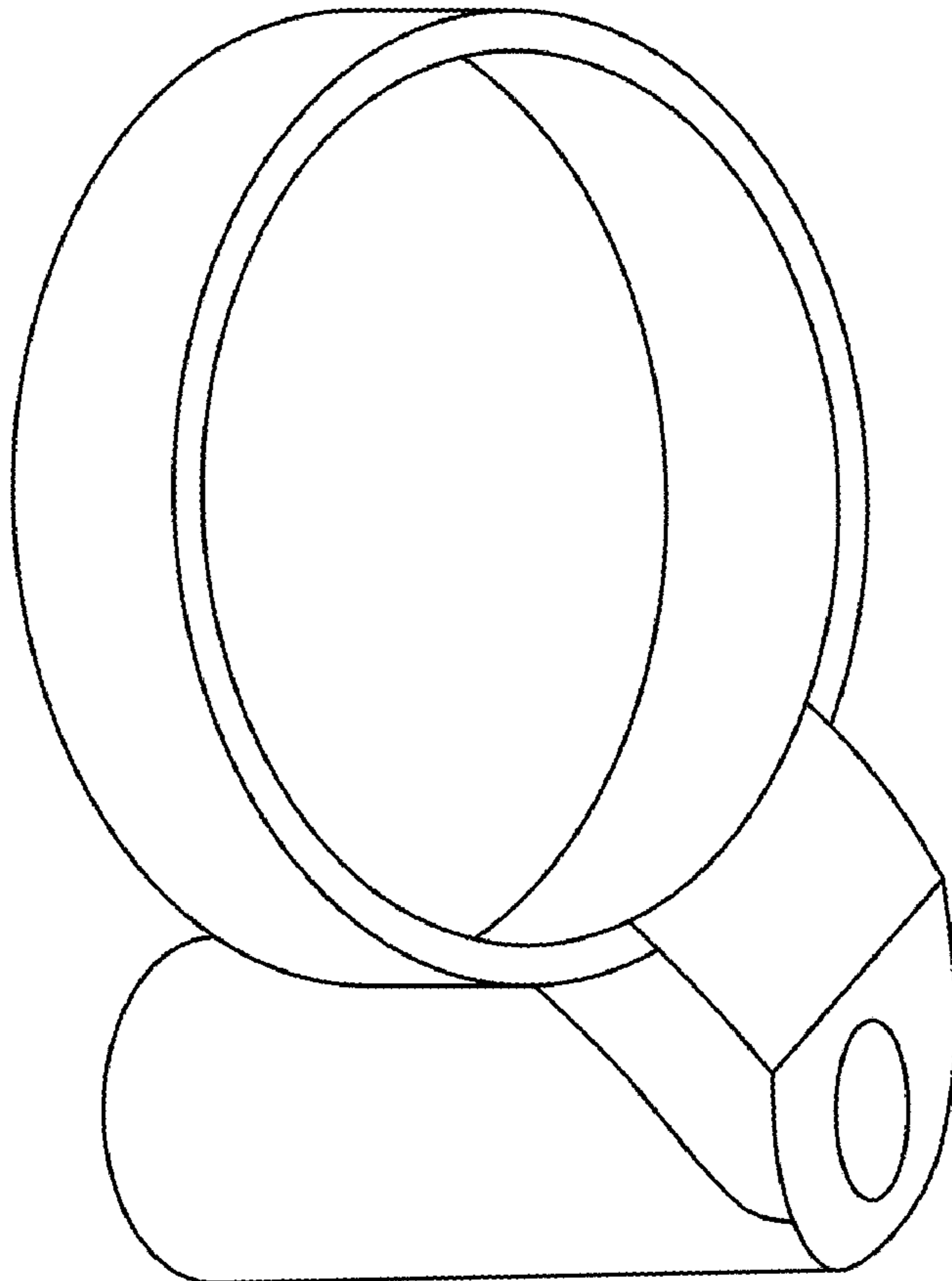
(57) **CLAIM**

I claim the ornamental design for a cup holder, as shown and described herein.

DESCRIPTION

FIG. 1 is a perspective view of the claimed cup holder.
FIG. 2 is a side view of the claimed cup holder.
FIG. 3 is an end view of the claimed cup holder.
FIG. 4 is a plan view of the claimed cup holder.
FIG. 5 is an end view of the claimed cup holder.
FIG. 6 is a perspective view of the claimed cup holder; and,
FIG. 7 is a side view of the claimed cup holder.

1 Claim, 7 Drawing Sheets



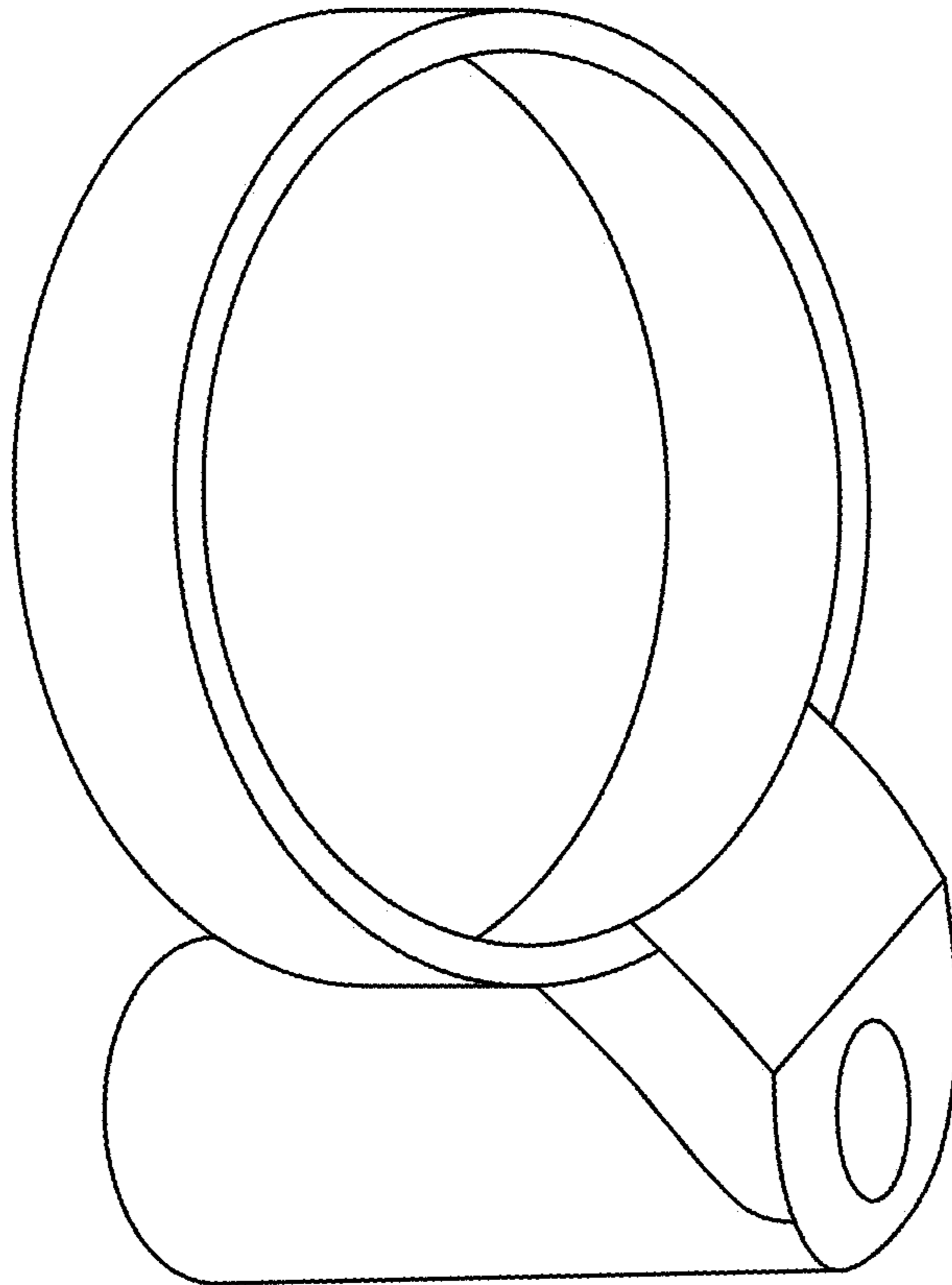


FIG. 1

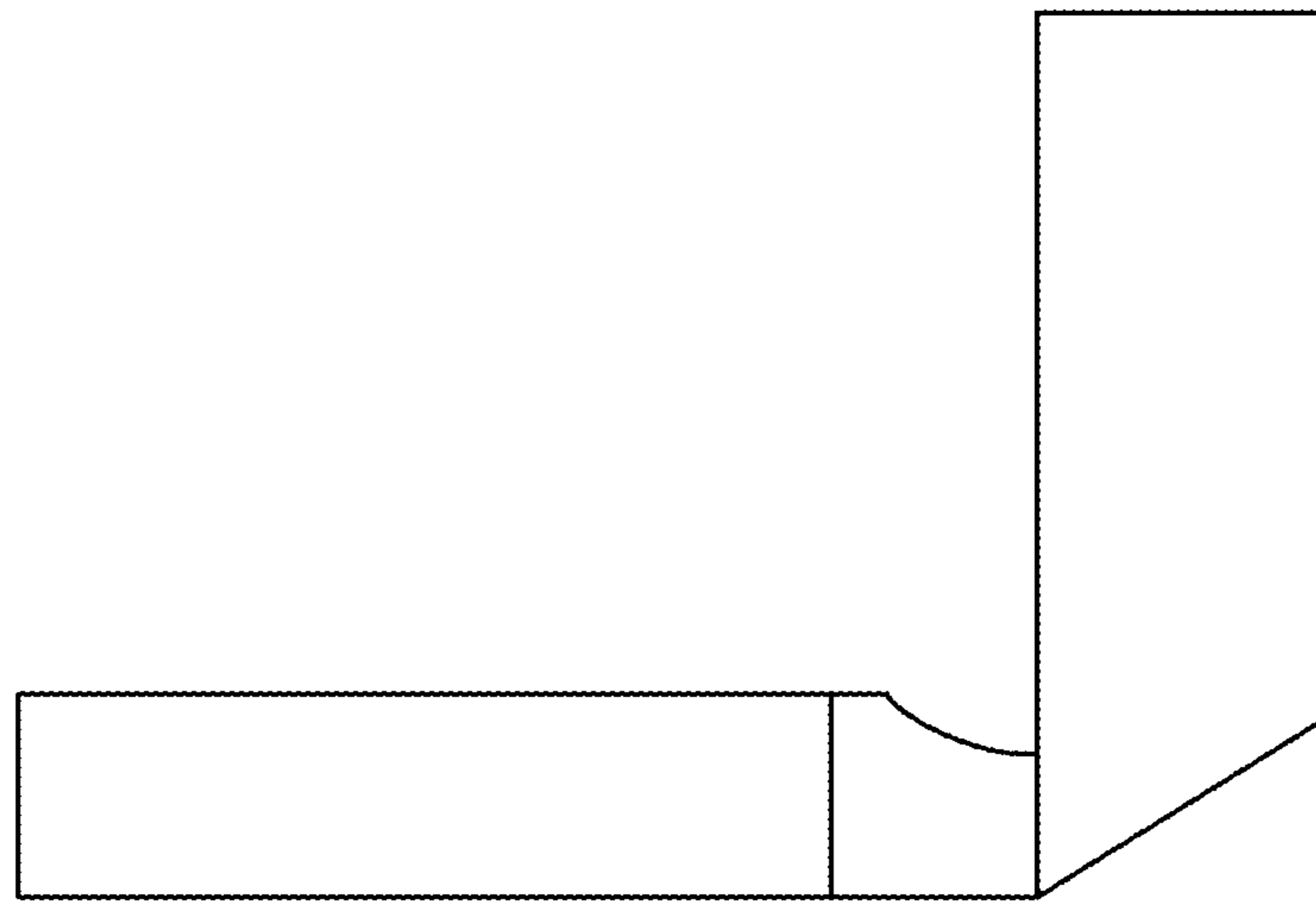


FIG. 2

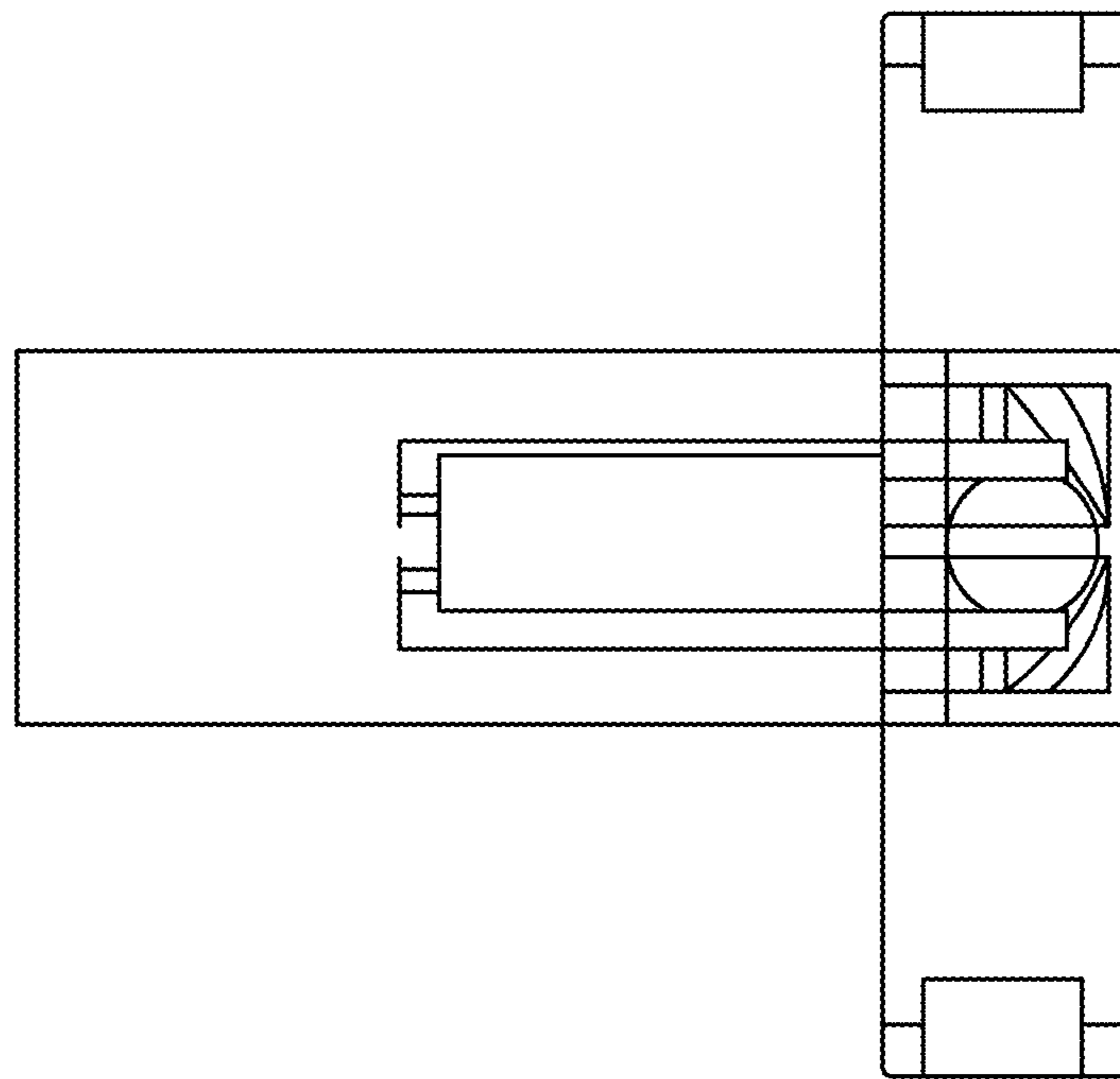


FIG. 3

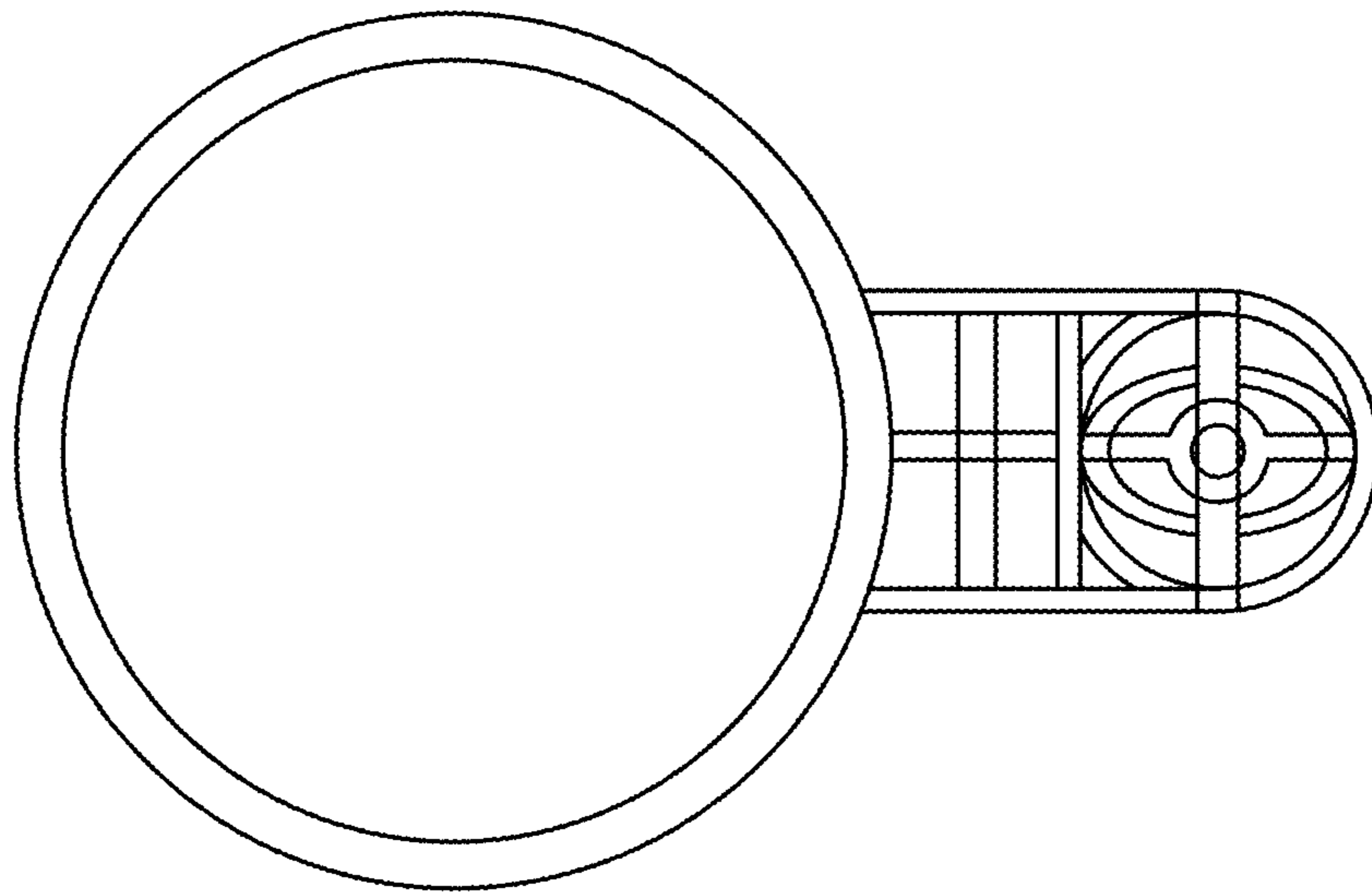


FIG. 4

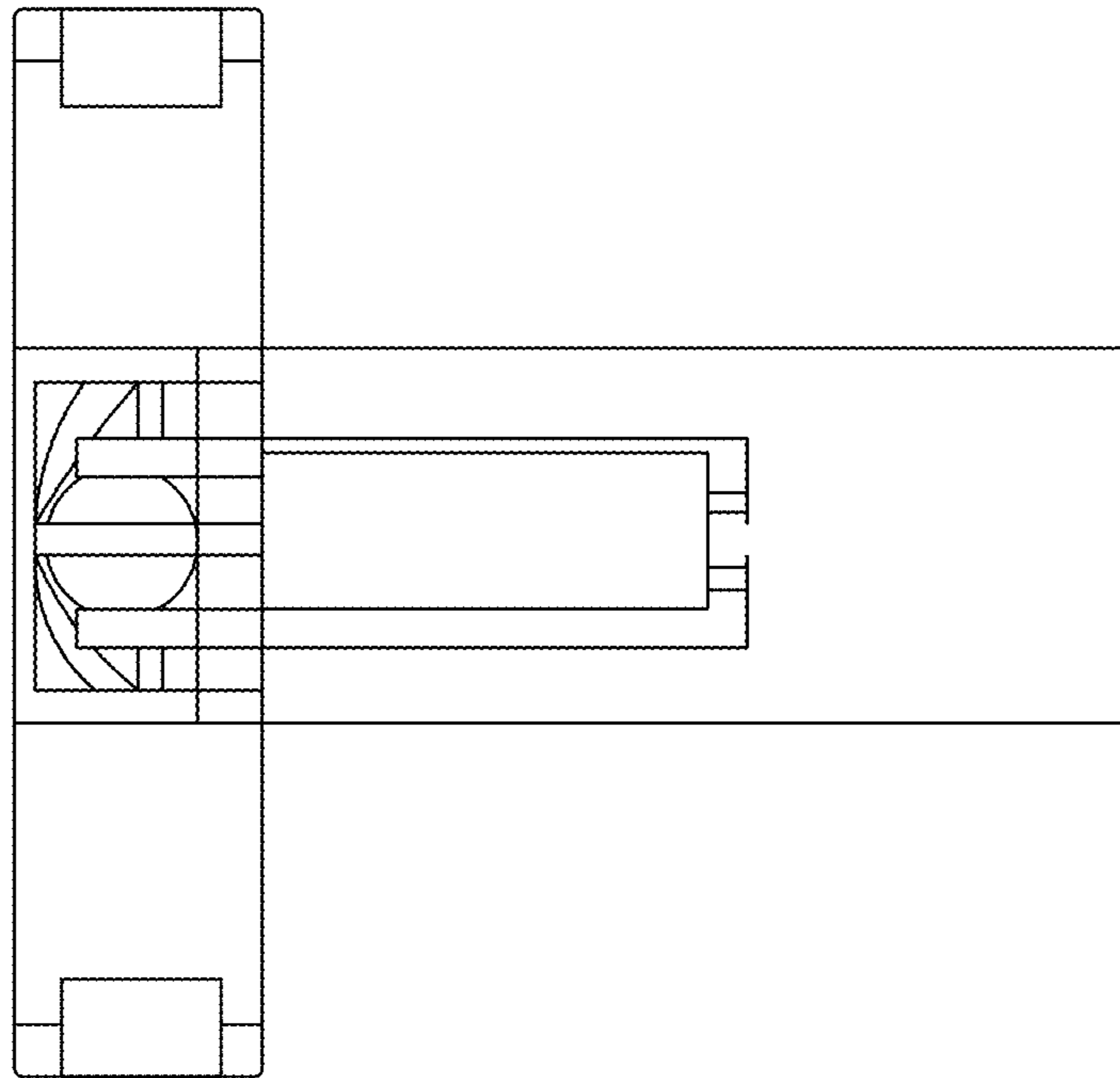


FIG. 5

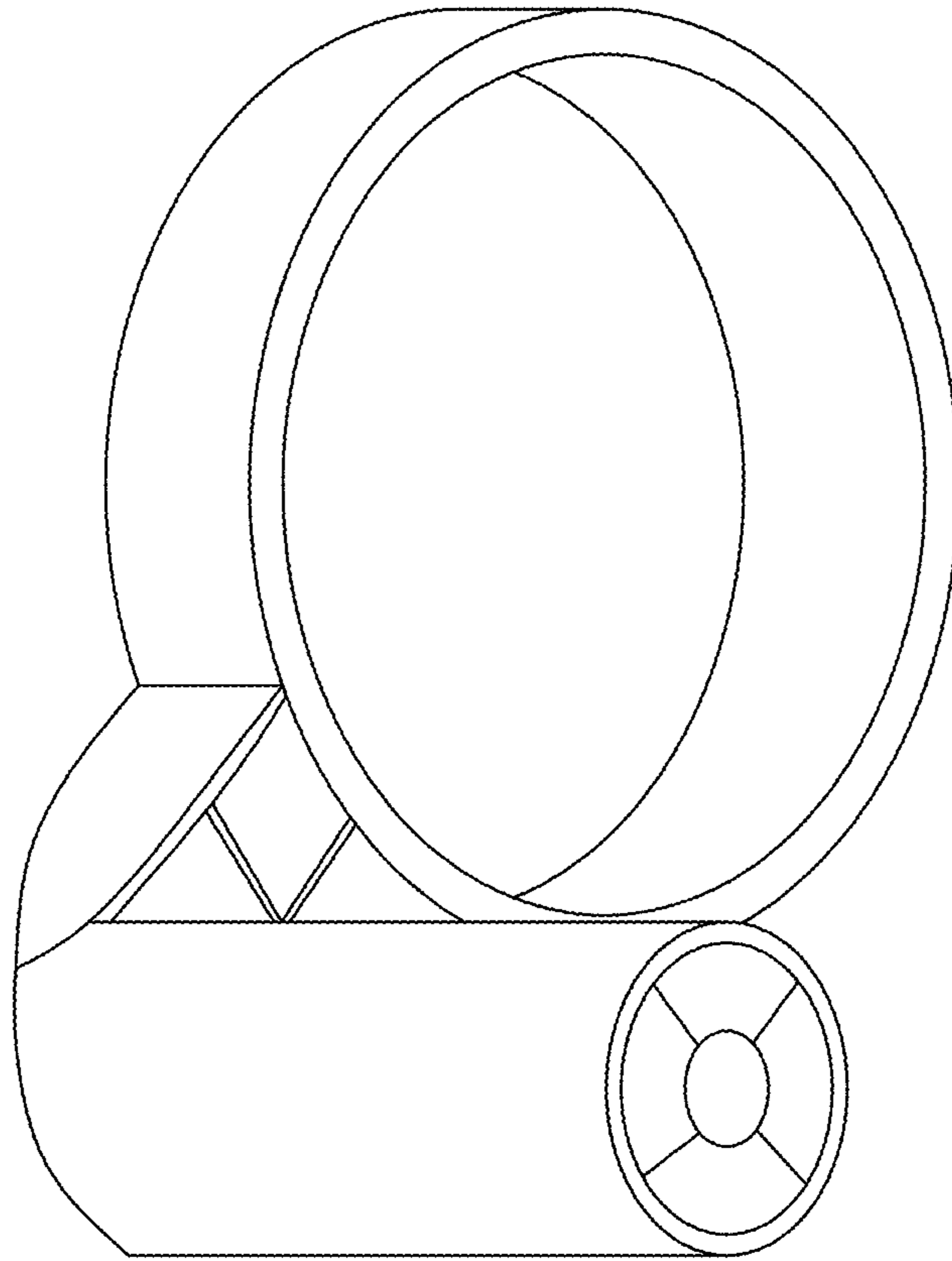


FIG. 6

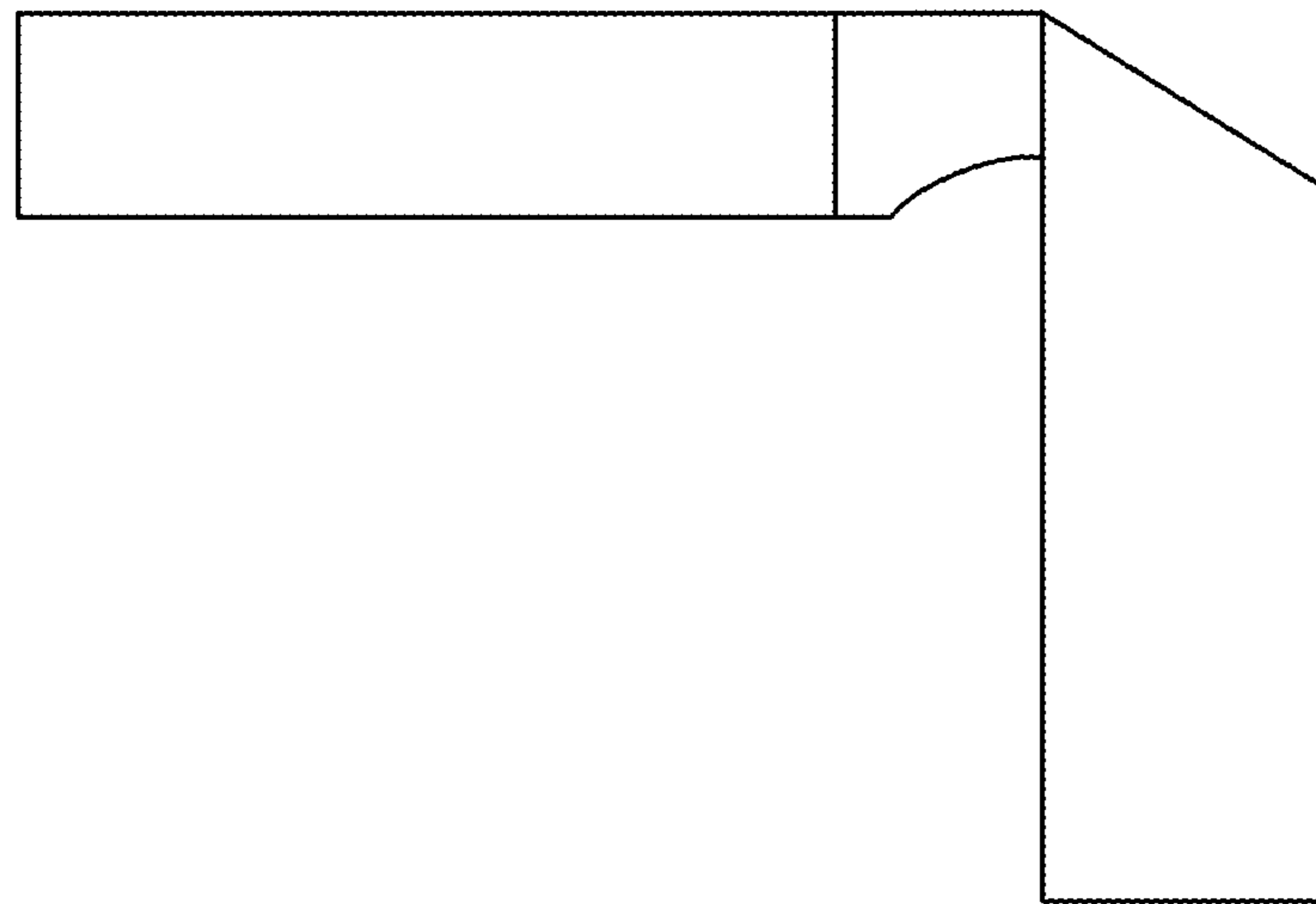


FIG. 7