



US00D955184S

(12) **United States Design Patent**
Smart

(10) **Patent No.:** **US D955,184 S**
(45) **Date of Patent:** **** Jun. 21, 2022**

(54) **GRASP-ENHANCING BAND FOR A DRINKING VESSEL**

D734,686 S * 7/2015 Alton D11/35
D749,976 S * 2/2016 Barresi D11/3
D805,944 S * 12/2017 Kwon D11/4
D816,533 S * 5/2018 Maier D11/4

(71) Applicant: **Derek Milton Smart**, Mansfield, MA (US)

(72) Inventor: **Derek Milton Smart**, Mansfield, MA (US)

(**) Term: **15 Years**

(21) Appl. No.: **29/712,390**

(22) Filed: **Nov. 7, 2019**

(51) **LOC (13) Cl.** **07-06**

(52) **U.S. Cl.**
USPC **D7/619.1**

(58) **Field of Classification Search**
USPC D7/619.1-625; D11/1-4, 6; D30/152
CPC .. A47G 23/0216; A47G 19/2227; A44C 5/00;
A44C 5/0053; A44C 5/0084; A44C 9/00
See application file for complete search history.

(56) **References Cited**

U.S. PATENT DOCUMENTS

254,156 A * 2/1882 Ricker et al. A01K 27/007
119/654
D375,612 S * 11/1996 Elder D10/111
D428,218 S * 7/2000 Dehart D30/152
D436,698 S * 1/2001 Noguero D30/152
D437,187 S * 2/2001 Cheng D7/622
6,422,177 B1 * 7/2002 Noguero A01K 27/006
119/856
6,578,982 B1 * 6/2003 Lynch A44C 15/0015
362/103
D651,931 S * 1/2012 Molik D11/3
D652,336 S * 1/2012 Molik D11/3
D717,684 S * 11/2014 Delaney D11/3
D725,971 S * 4/2015 Farhat D7/622
D734,685 S * 7/2015 Barresi D11/3

OTHER PUBLICATIONS

Amazon.com, Milakoo Punk Leather Bracelet, p. 1-4, date first available Nov. 6, 2018 (Year: 2018).*
Amazon.com, Amscan 840712 Black Choker, p. 1-3, date first available Nov. 5, 2018 (Year: 2018).*
Amazon.com, Eigson 3 pcs Leatehr Bracelet, p. 1-3, date first available Nov. 8, 2018 (Year: 2018).*

* cited by examiner

Primary Examiner — Terry A Wallace

(74) *Attorney, Agent, or Firm* — Nutter McClennen & Fish LLP

(57) **CLAIM**

I claim the ornamental design for a grasp-enhancing band for a drinking vessel, as shown and described.

DESCRIPTION

FIG. 1 is a top plan view of a grasp-enhancing band for a drinking vessel showing my new design.

FIG. 2 is a top, front perspective view thereof.

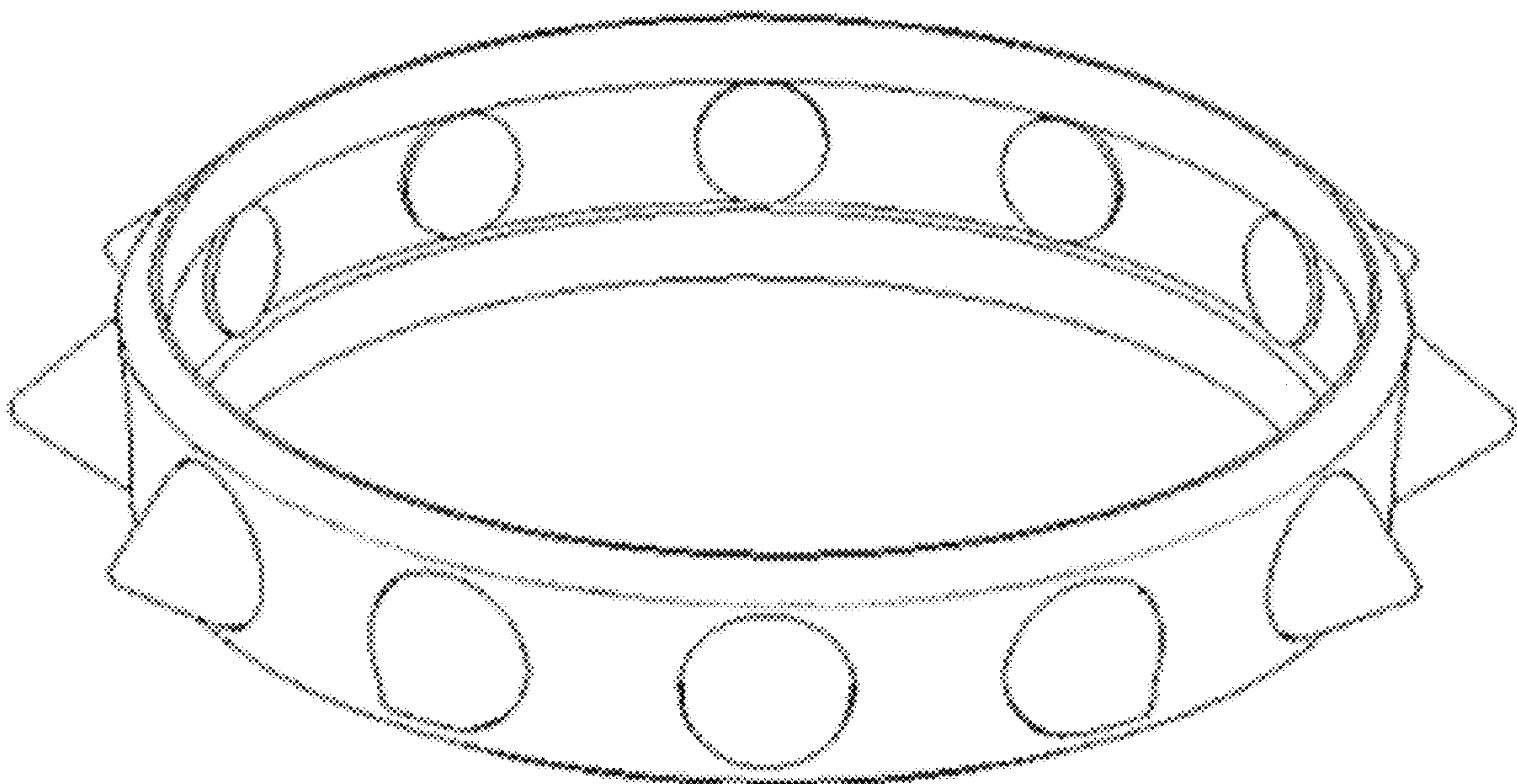
FIG. 3 is a front view thereof, the shot glass is shown in broken lines for illustrative purposes only and forms no part of the claimed design.

FIG. 4 is a front view thereof, the rocks glass is shown in broken lines for illustrative purposes only and forms no part of the claimed design; and,

FIG. 5 is a front view thereof, the beer glass is shown in broken lines for illustrative purposes only and forms no part of the claimed design.

It should be noted the grasp-enhancing band has certain curved surfaces as depicted in the drawing disclosure.

1 Claim, 5 Drawing Sheets



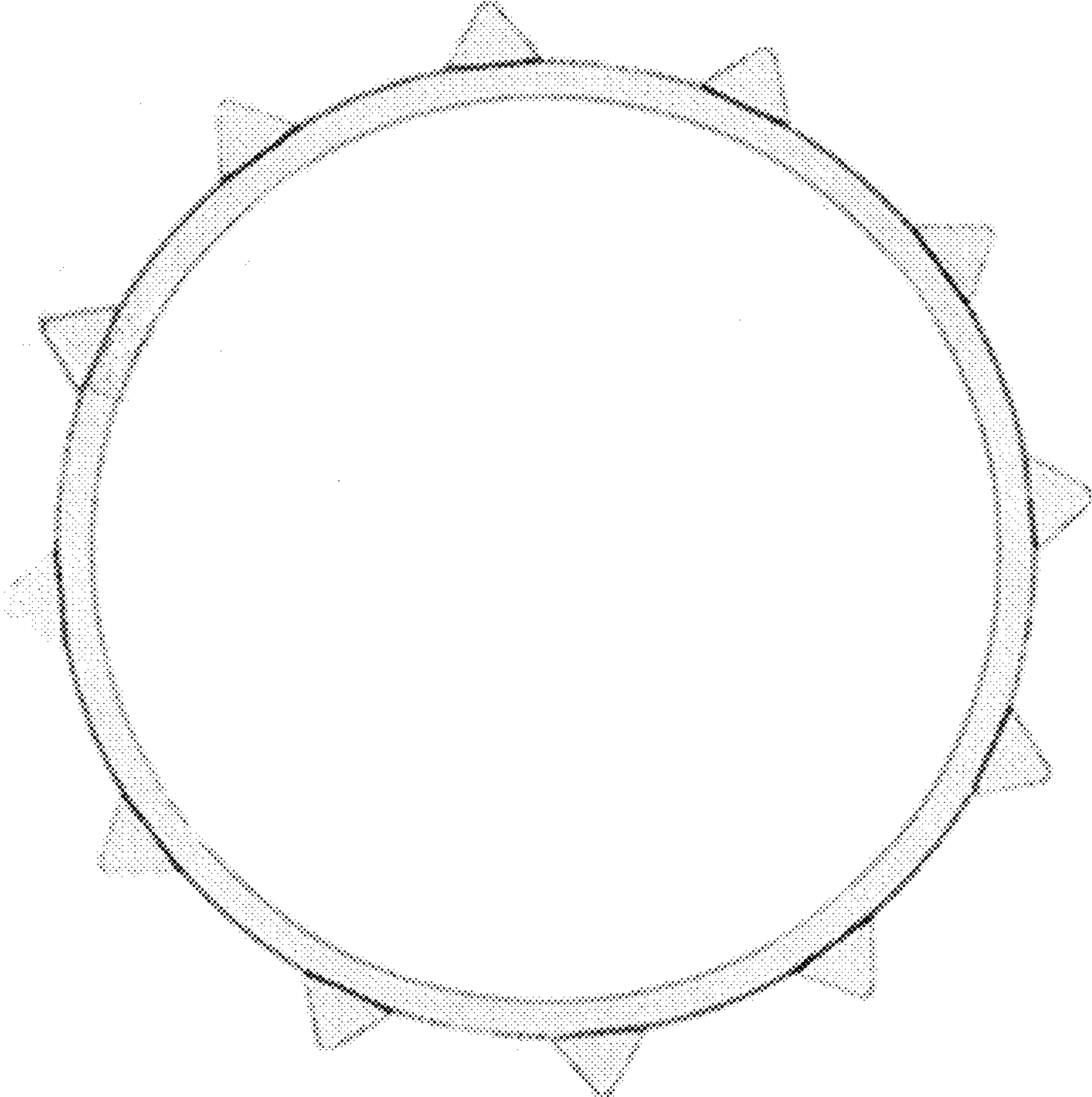


FIG. 1

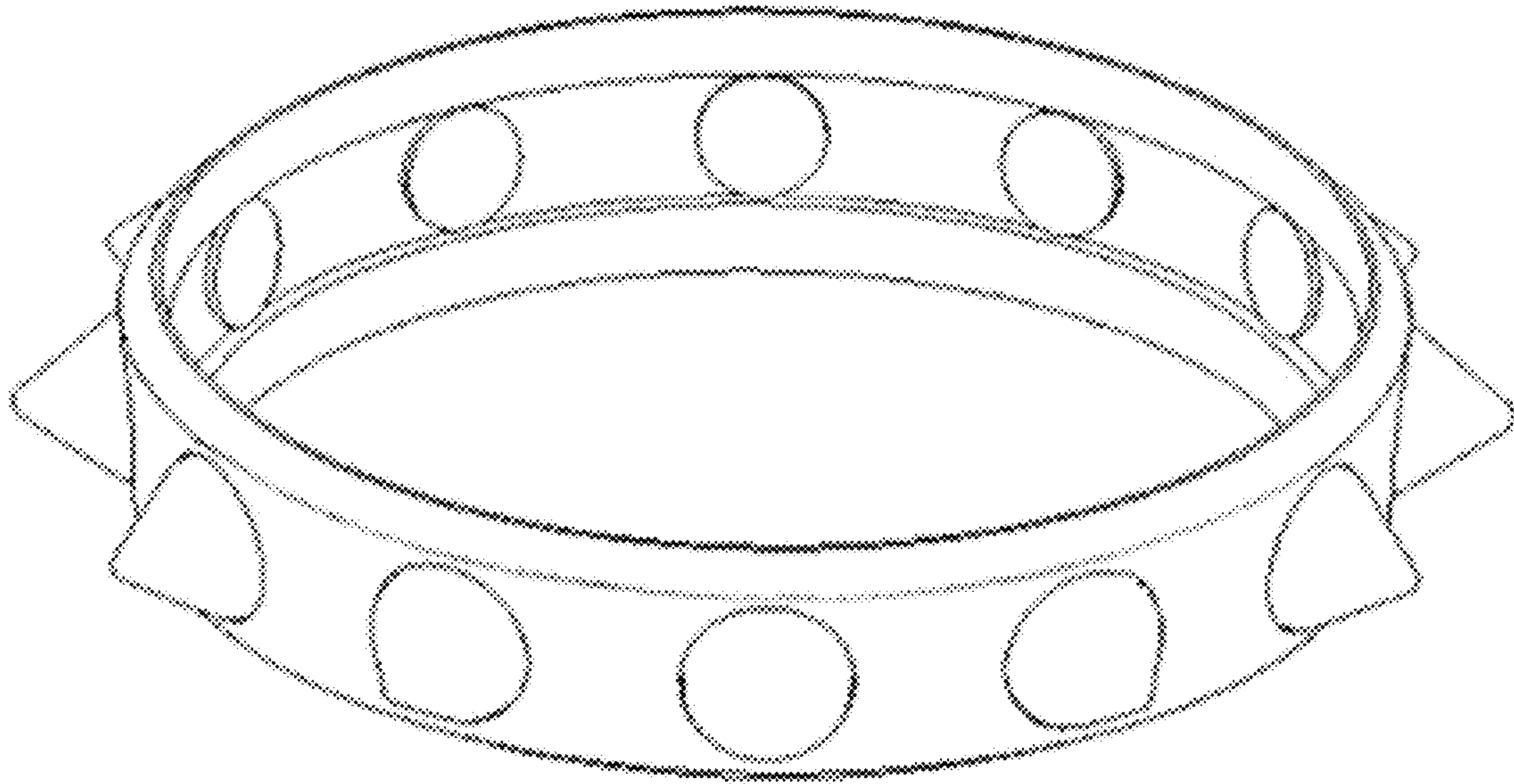


FIG. 2

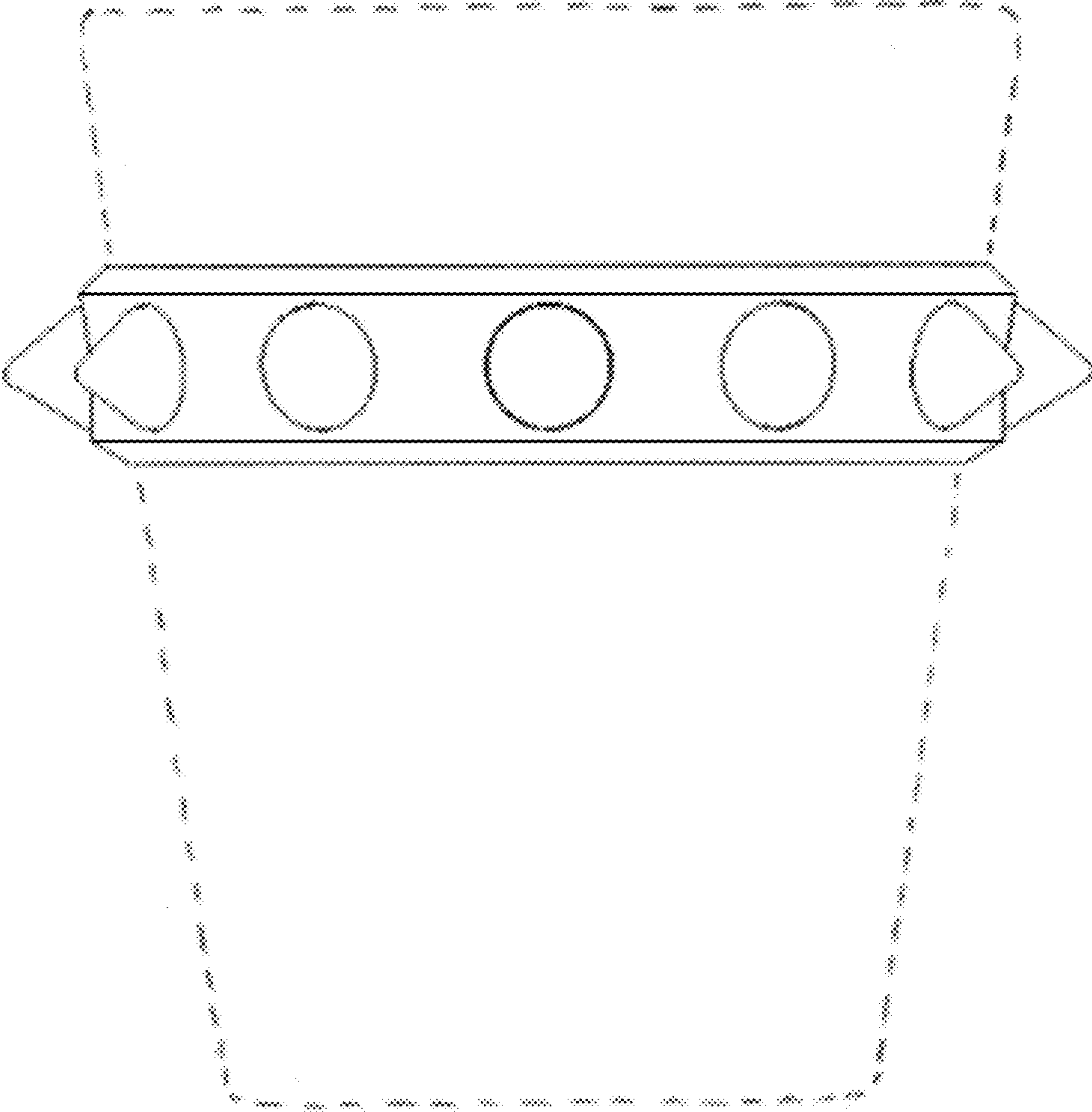


FIG. 3

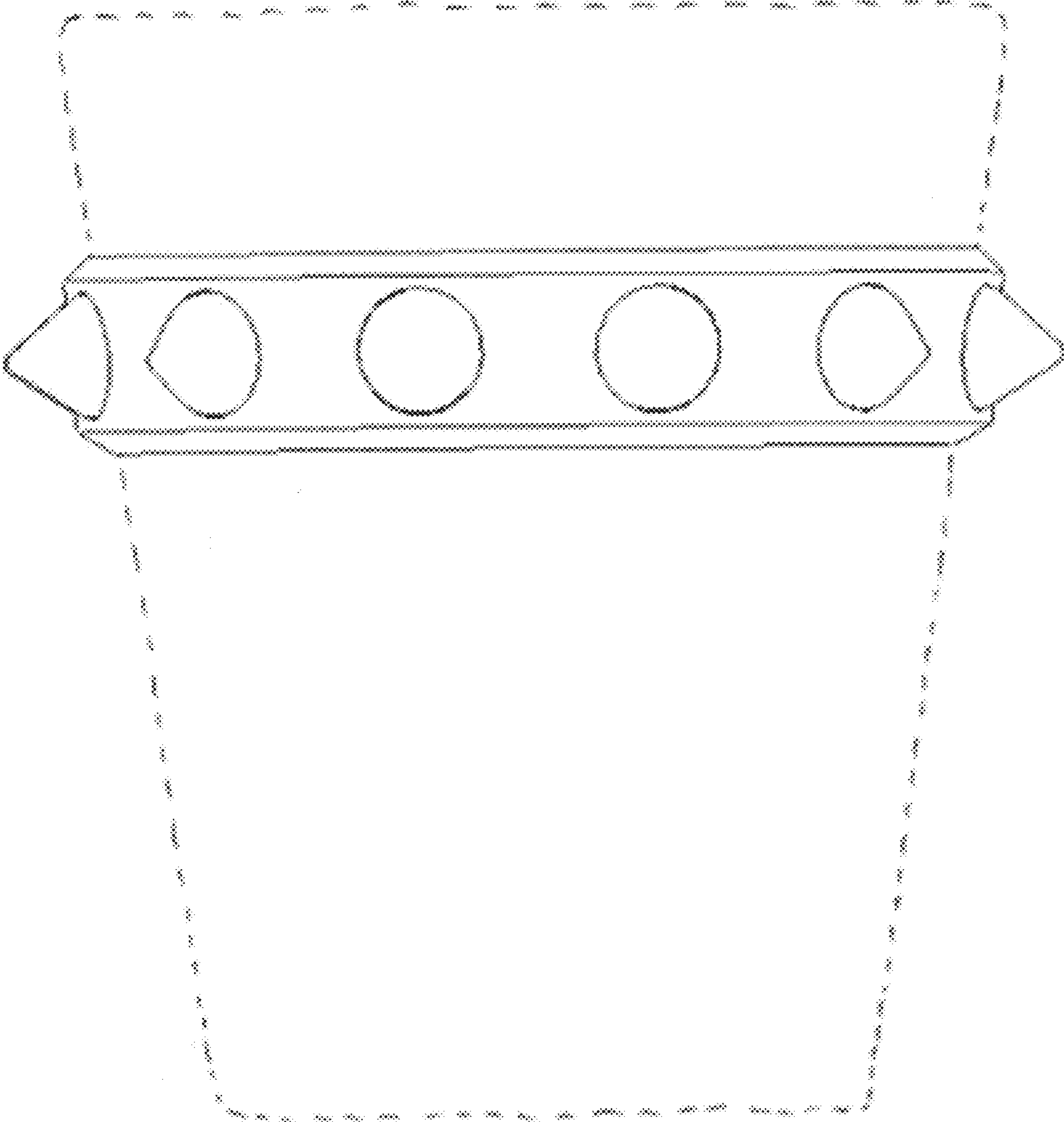


FIG. 4

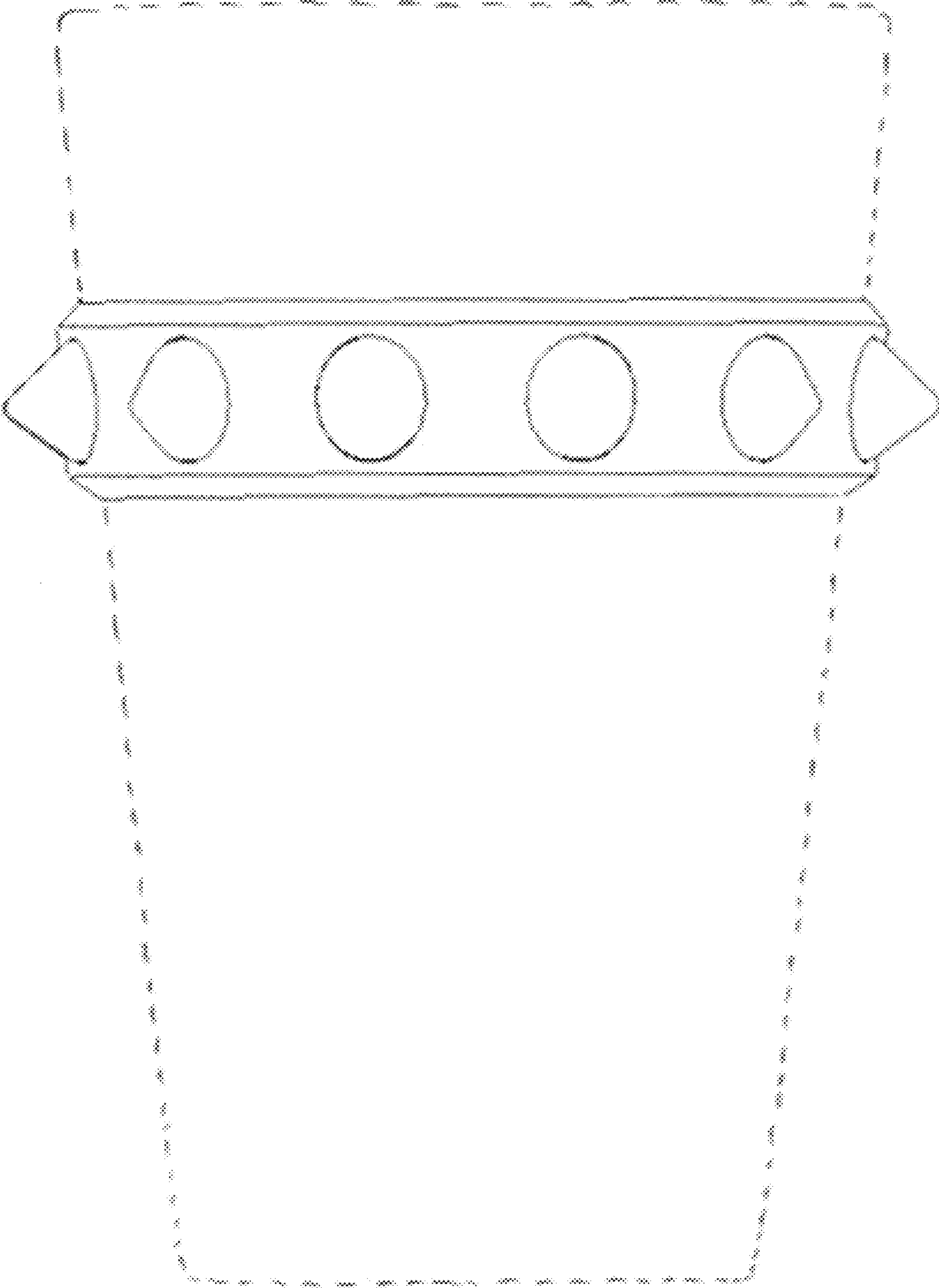


FIG. 5