



US00D955183S

(12) **United States Design Patent**
Gagneau

(10) **Patent No.:** **US D955,183 S**

(45) **Date of Patent:** **** Jun. 21, 2022**

(54) **ISOTHERMAL CONTAINER FOR FOOD**

(71) Applicant: **MON BENTO**, Clermont-Ferrand (FR)

(72) Inventor: **Olivier Gagneau**, Beaumont (FR)

(73) Assignee: **MON BENTO**, Clermont-Ferrand (FR)

(**) Term: **15 Years**

(21) Appl. No.: **35/510,663**

(22) Filed: **Oct. 13, 2020**

(80) **Hague Agreement Data**

Int. Filing Date: **Oct. 13, 2020**

Int. Reg. No.: **DM/210877**

Int. Reg. Date: **Oct. 13, 2020**

Int. Reg. Pub. Date: **Oct. 30, 2020**

(30) **Foreign Application Priority Data**

Apr. 15, 2020 (EM) 007813829

(51) **LOC (13) Cl.** **07-07**

(52) **U.S. Cl.**
USPC **D7/608**

(58) **Field of Classification Search**

USPC D7/306, 310, 332, 400, 402, 523, 524,
D7/542, 679, 608, 629; D9/443, 780

CPC A45C 11/20; B65D 25/00

See application file for complete search history.

(56) **References Cited**

U.S. PATENT DOCUMENTS

1,123,967 A * 1/1915 Weldon B65F 1/14
220/694

D63,551 S * 12/1923 Beavers D9/443

D171,578 S * 3/1954 Brucker D9/778

D228,114 S * 8/1973 De La Rose D7/542

D272,213 S * 1/1984 Daenen D7/523

D306,199 S * 2/1990 Meissner D23/209

D336,817 S * 6/1993 Wilcox, Jr. D7/392

5,544,568 A * 8/1996 Potgieter B65D 81/3827
99/340

D630,475 S * 1/2011 Lu D7/629

D653,086 S * 1/2012 Morales D7/608

D660,657 S * 5/2012 Picozza D7/629

D675,066 S * 1/2013 Conlin D7/608

D686,888 S * 7/2013 Meyers D7/629

(Continued)

OTHER PUBLICATIONS

Amazon website, monbento—MB Element Insulated Container, Date published on Amazon Apr. 22, 2021, {site visited Dec. 15, 2021}, Available on the Internet URL <https://www.amazon.com/dp/B093381KX5> (Year: 2021).*

(Continued)

Primary Examiner — S. Bryan Reinholdt, Jr.

(74) *Attorney, Agent, or Firm* — IpHorgan Ltd.

(57) **CLAIM**

The ornamental design for an isothermal container for food, as shown and described.

DESCRIPTION

An isothermal container for food

1.1 : Perspective

1.2 : Front

1.3 : Back

1.4 : Right

1.5 : Left

1.6 : Top

1.7 : Bottom

2.1 : Perspective

2.2 : Front

2.3 : Back

2.4 : Right

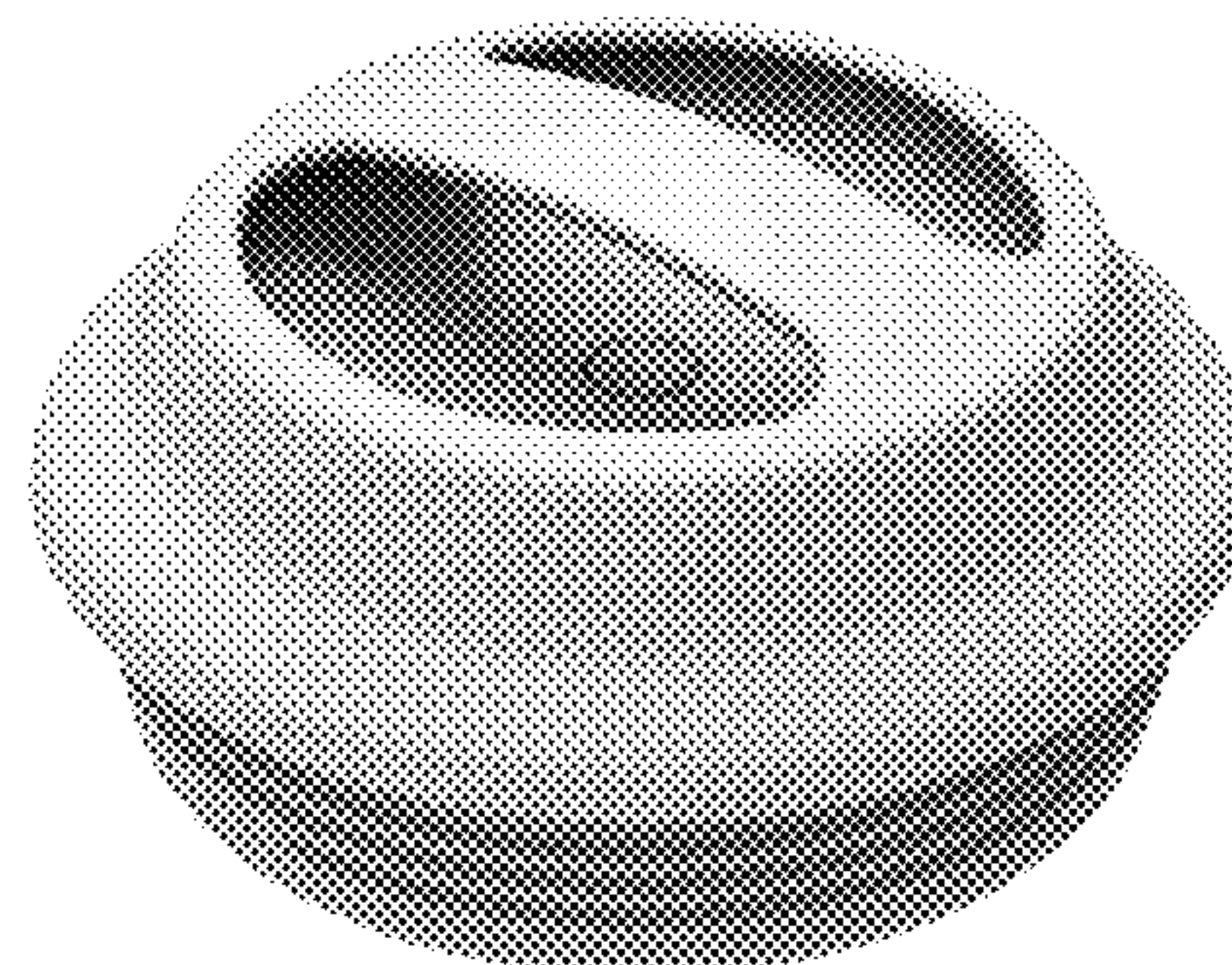
2.5 : Left

2.6 : Top

2.7 : Bottom

The broken lines in FIG. 2.7 depicts the boundary of the claim and forms no part of the claimed design.

1 Claim, 14 Drawing Sheets



(56)

References Cited

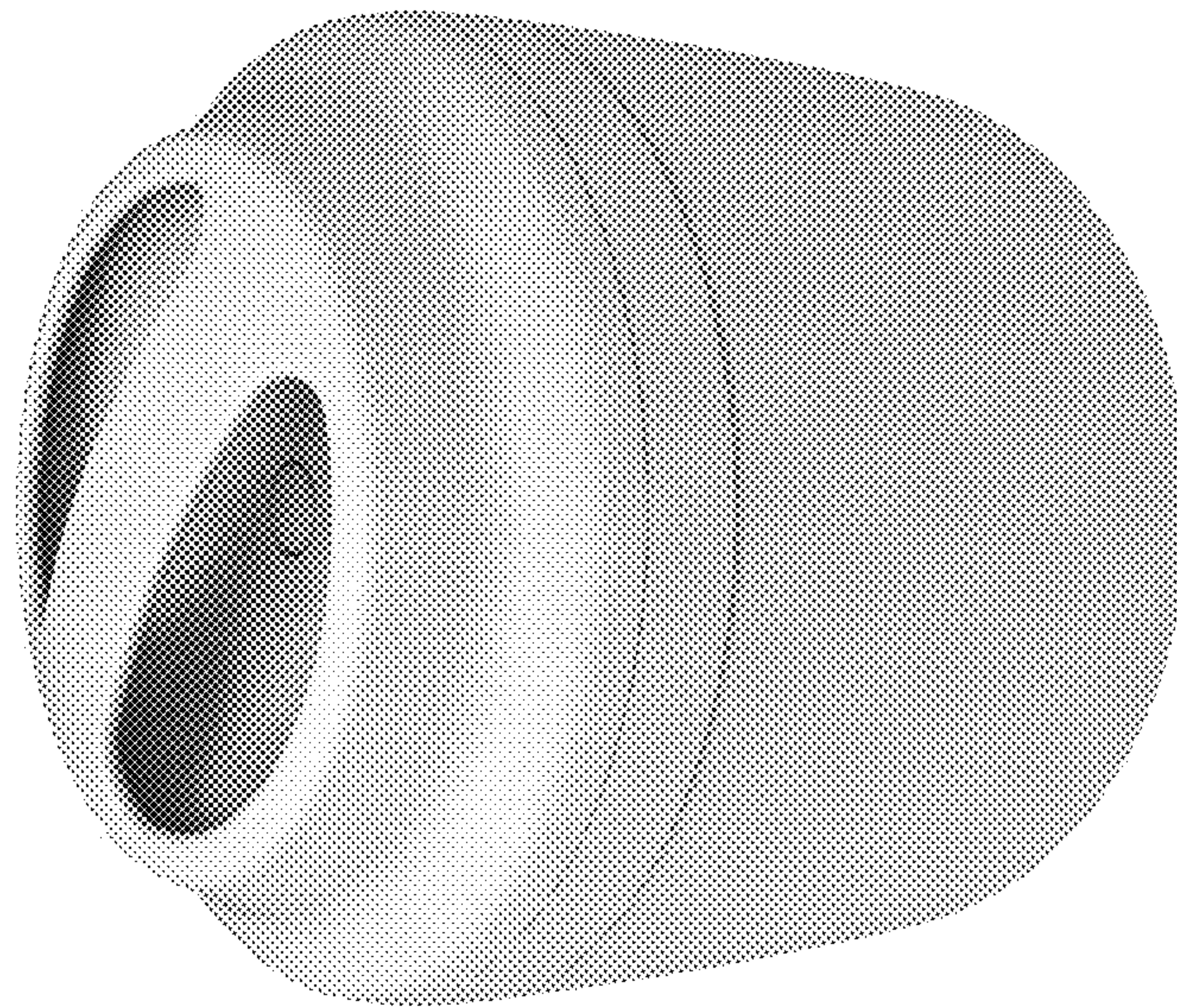
U.S. PATENT DOCUMENTS

D725,972 S * 4/2015 Hong D7/629
D749,948 S * 2/2016 Groglopo Favetto D9/443
D750,440 S * 3/2016 Dhingra D7/540
D840,810 S * 2/2019 Omdahl, II D9/443
D887,793 S * 6/2020 Rane D7/630
2011/0284554 A1* 11/2011 Ray B65D 43/0212
220/574.1
2016/0368662 A1* 12/2016 Morgan B65D 21/0228
2021/0198008 A1* 7/2021 Siao B65D 21/083

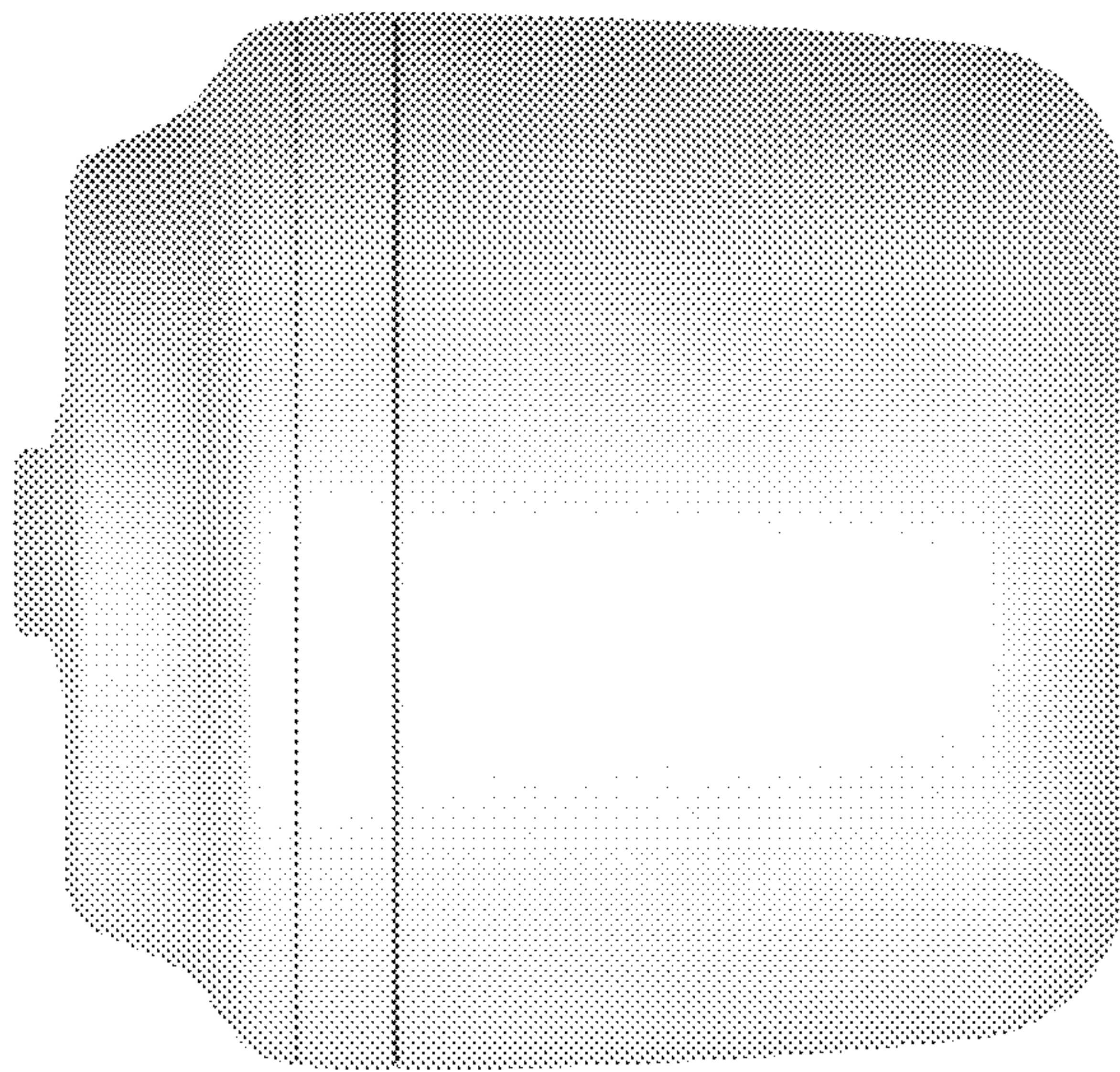
OTHER PUBLICATIONS

Monbento website, MB element, Publication date unknown, [site visited Dec. 15, 2021], Available on the Internet URL <https://us.monbento.com/en/mb-element-2021-metallic-silver> (Year: 2021).*

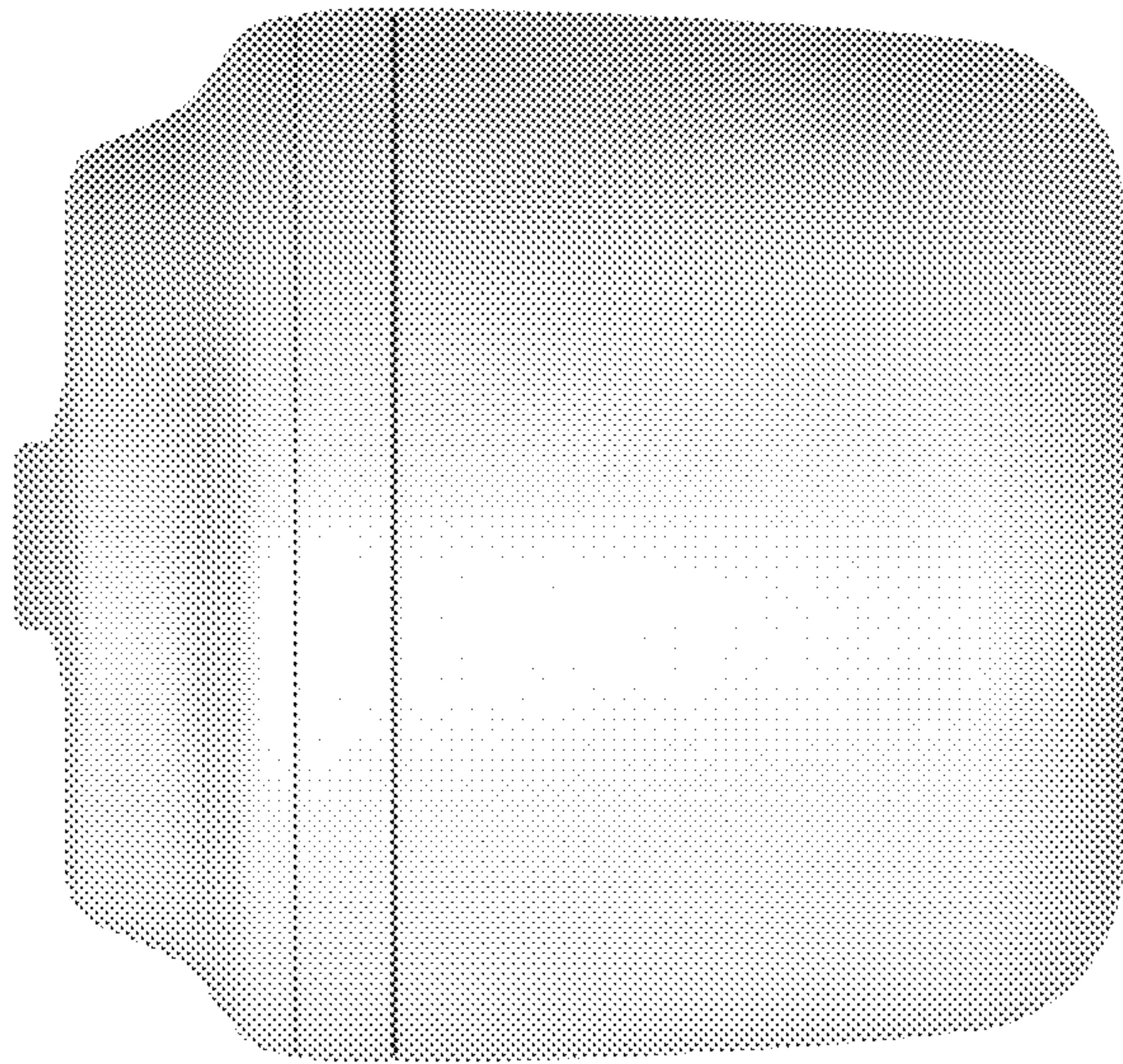
* cited by examiner



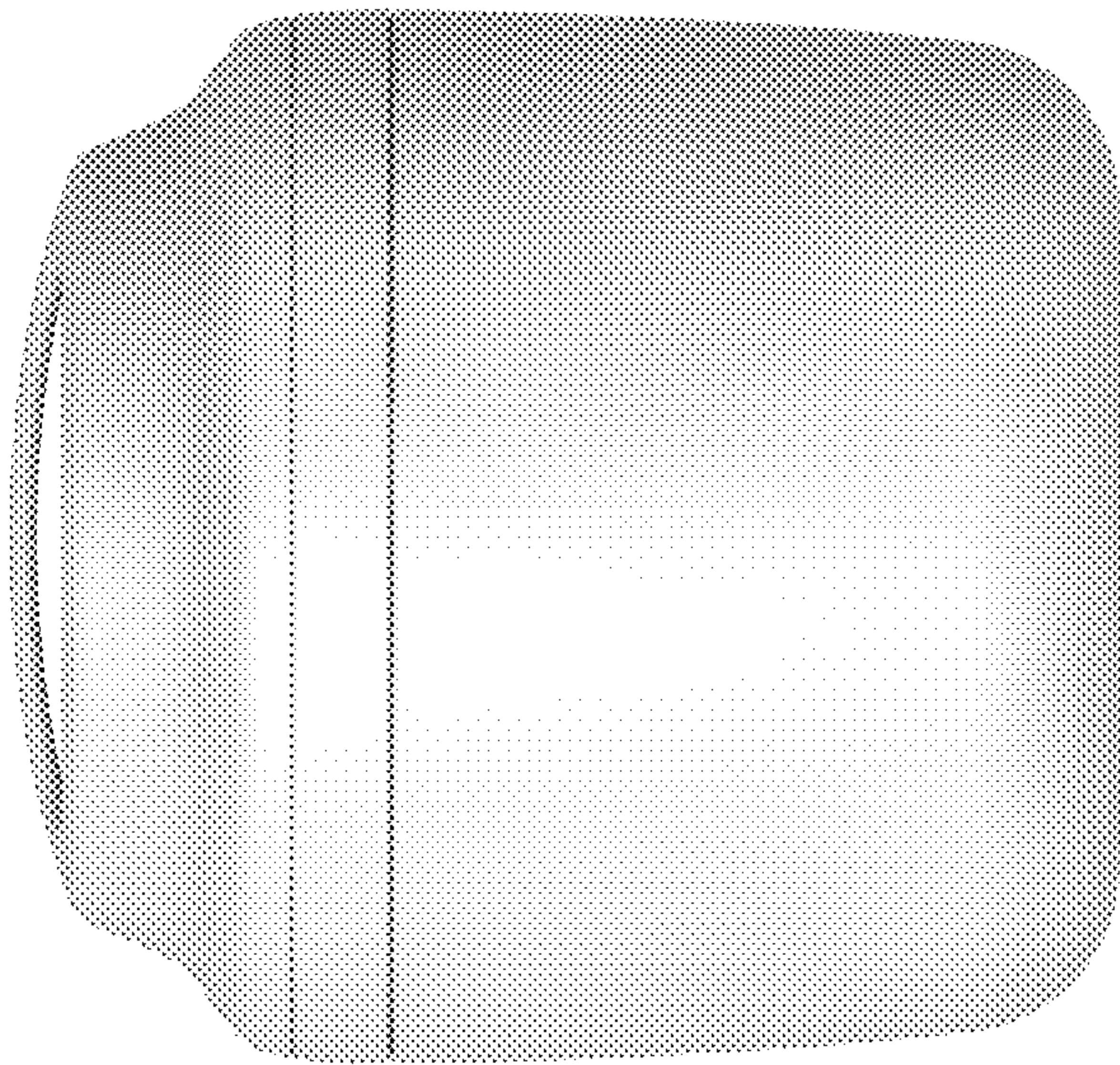
1.1



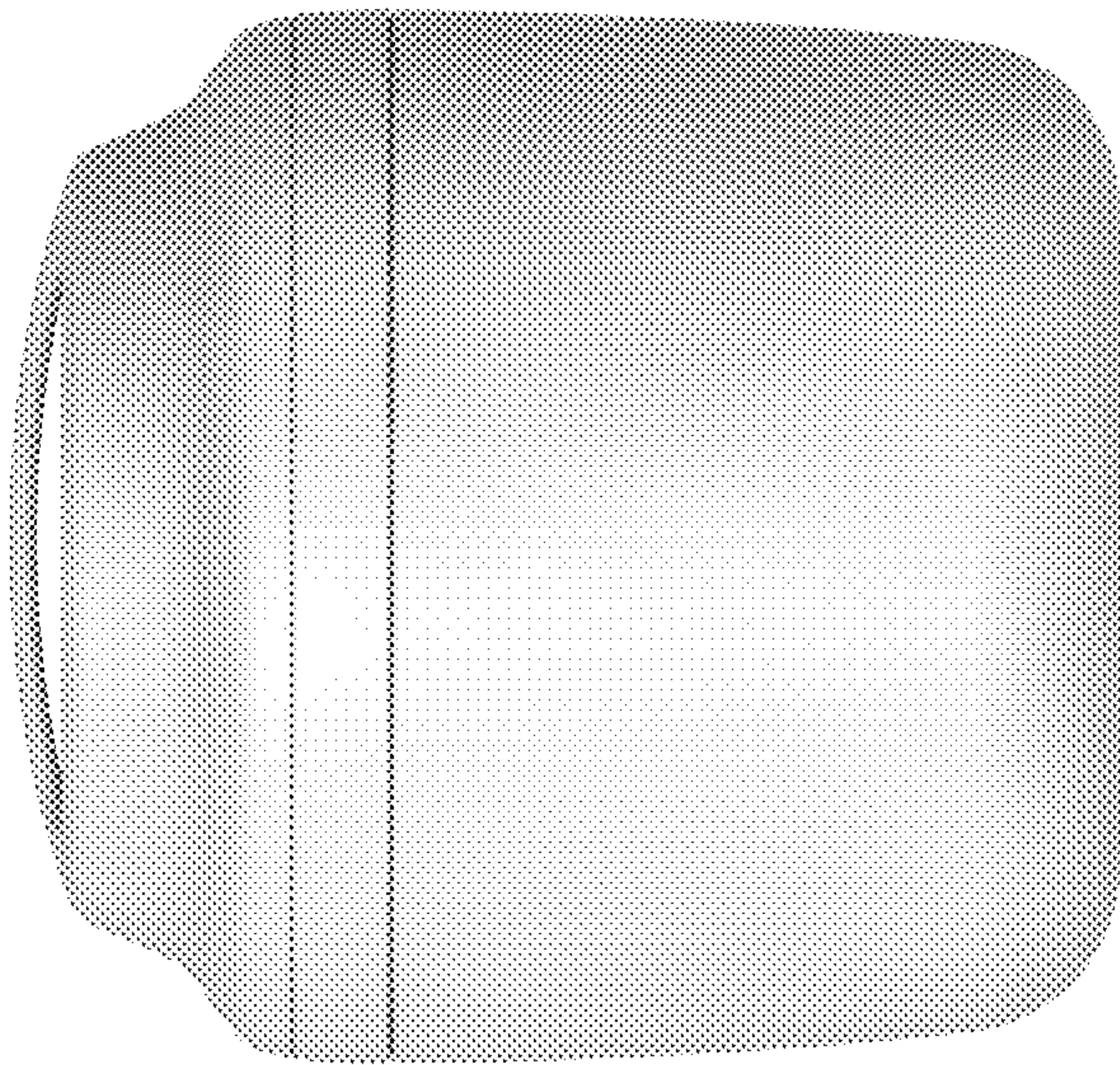
1.2



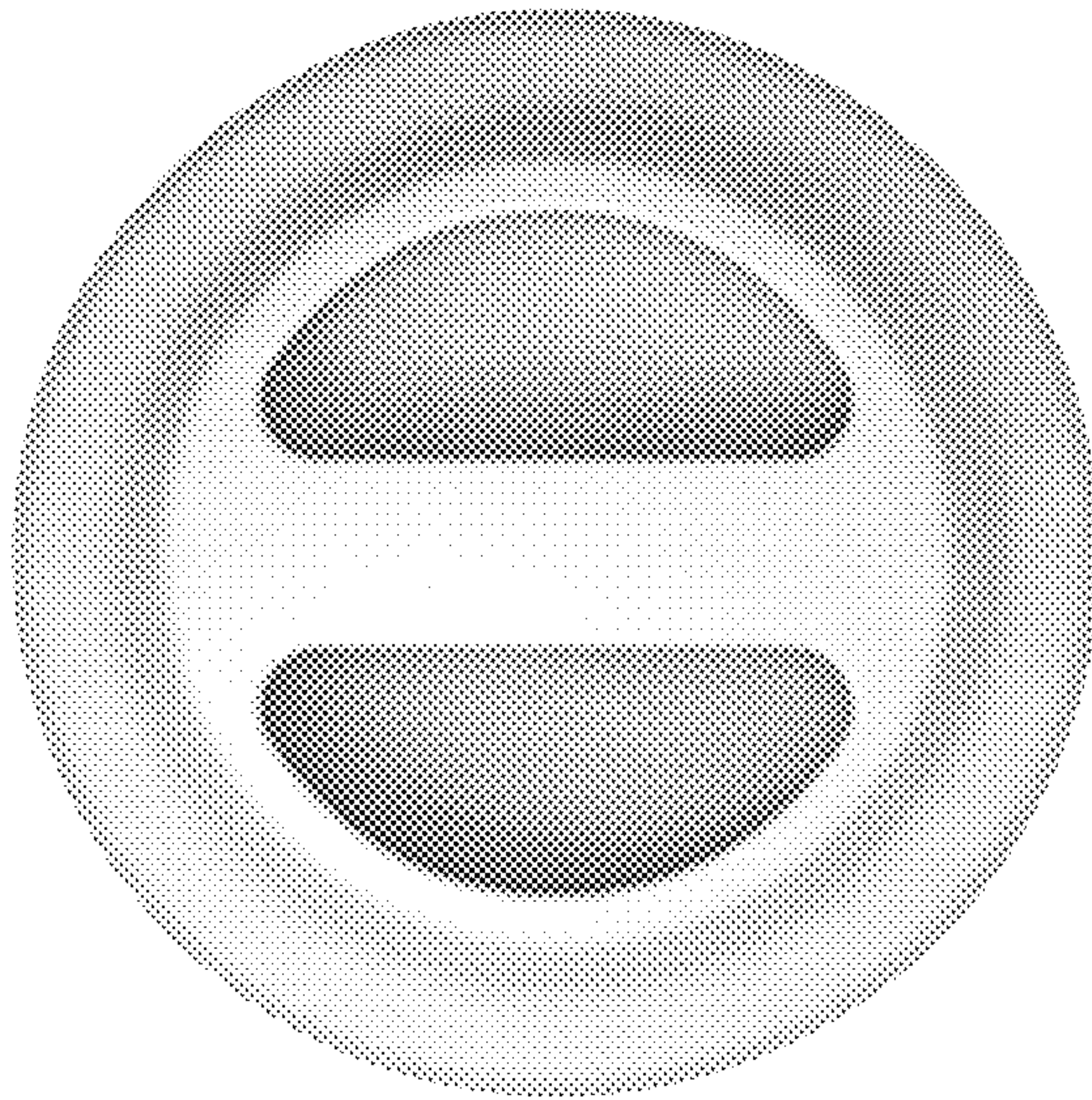
1.3



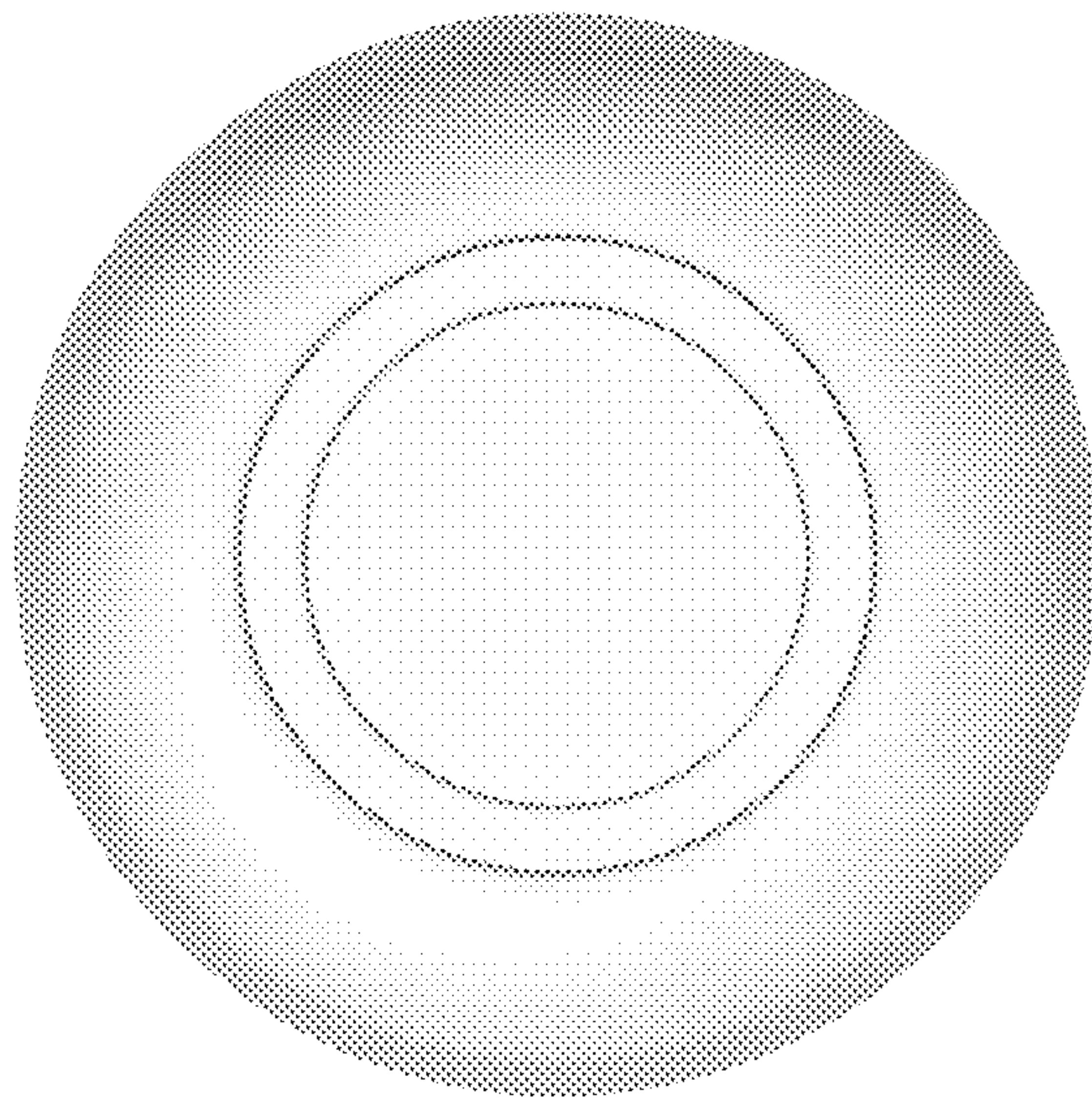
1.4

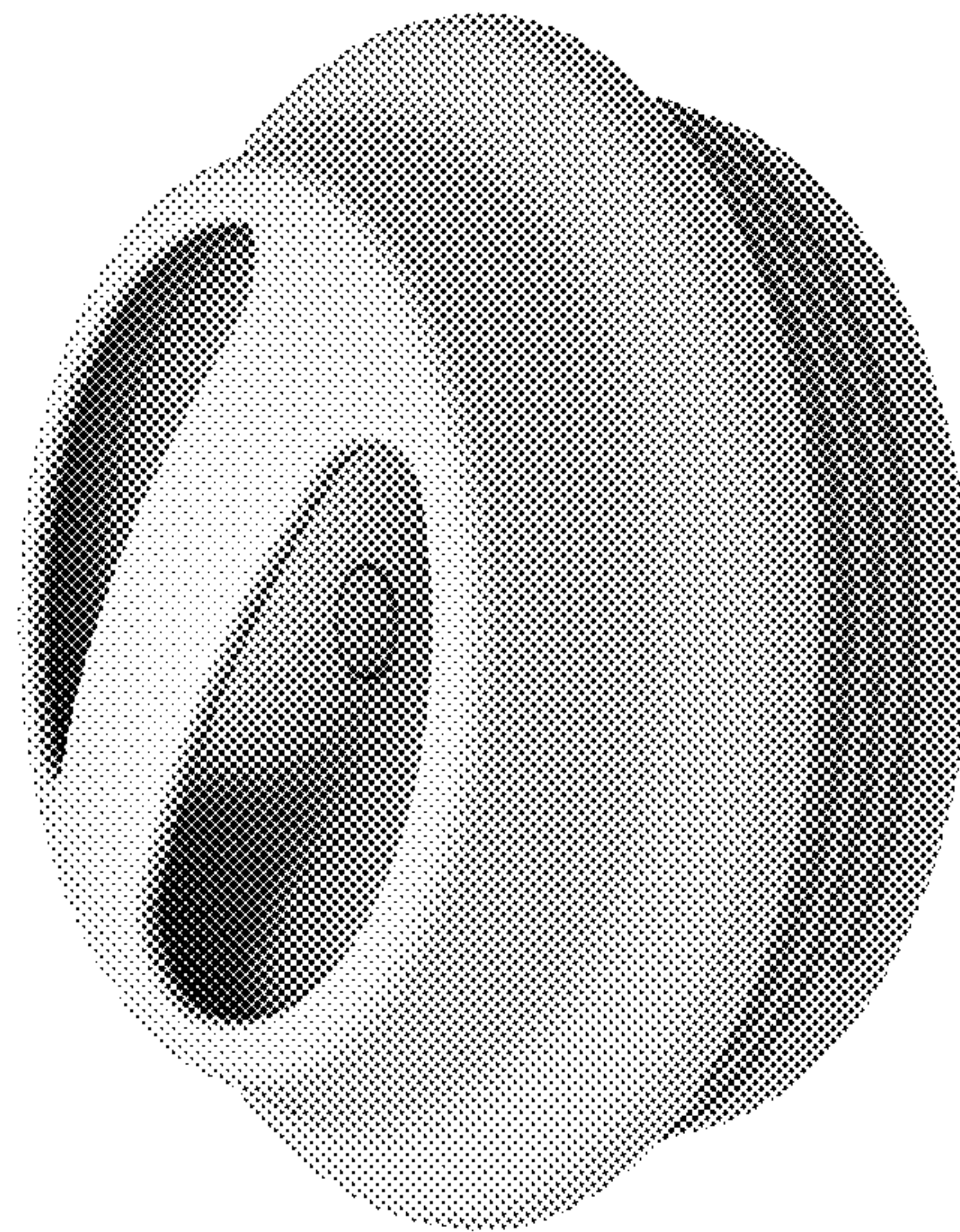


1.5

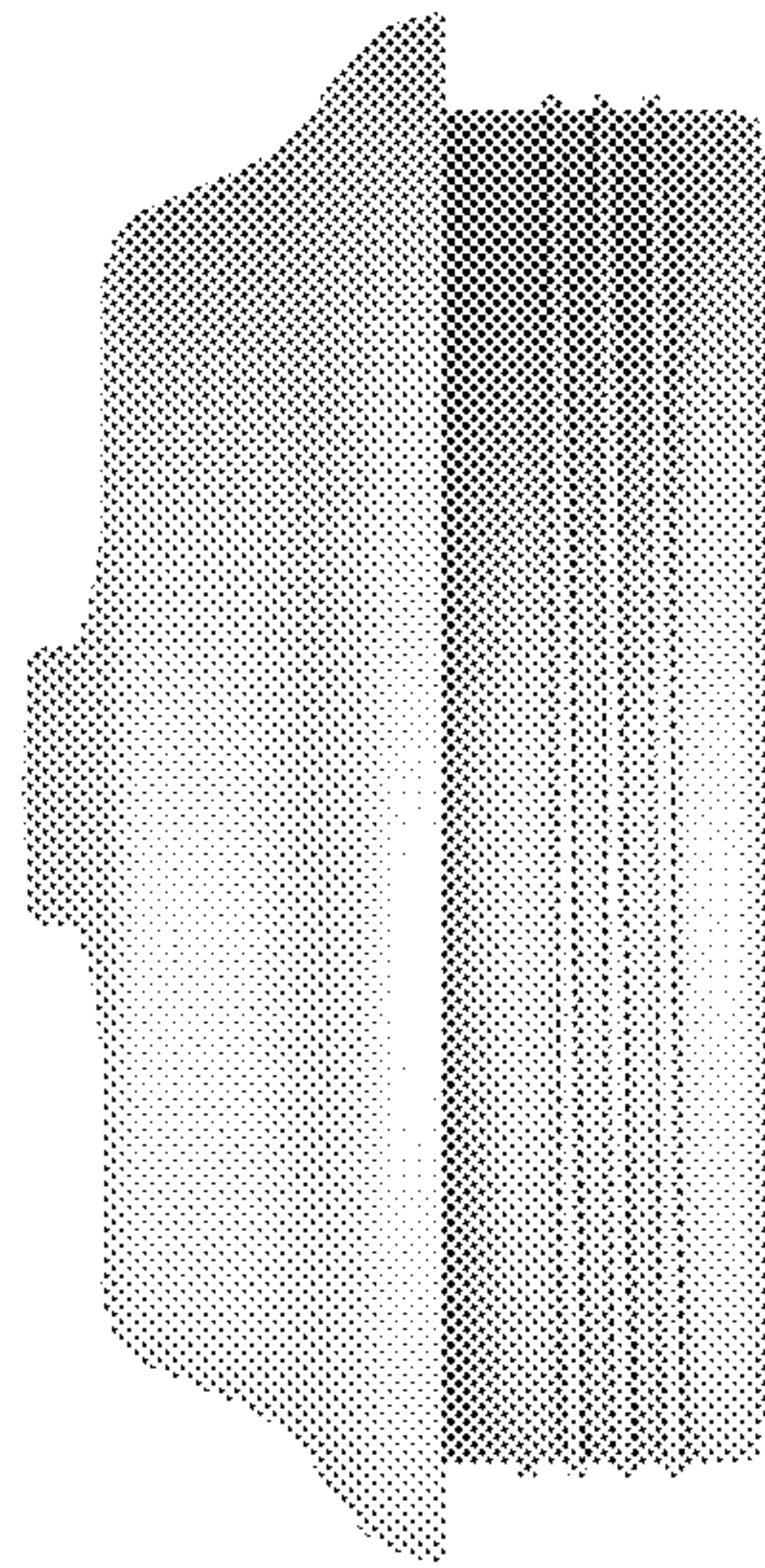


1.6

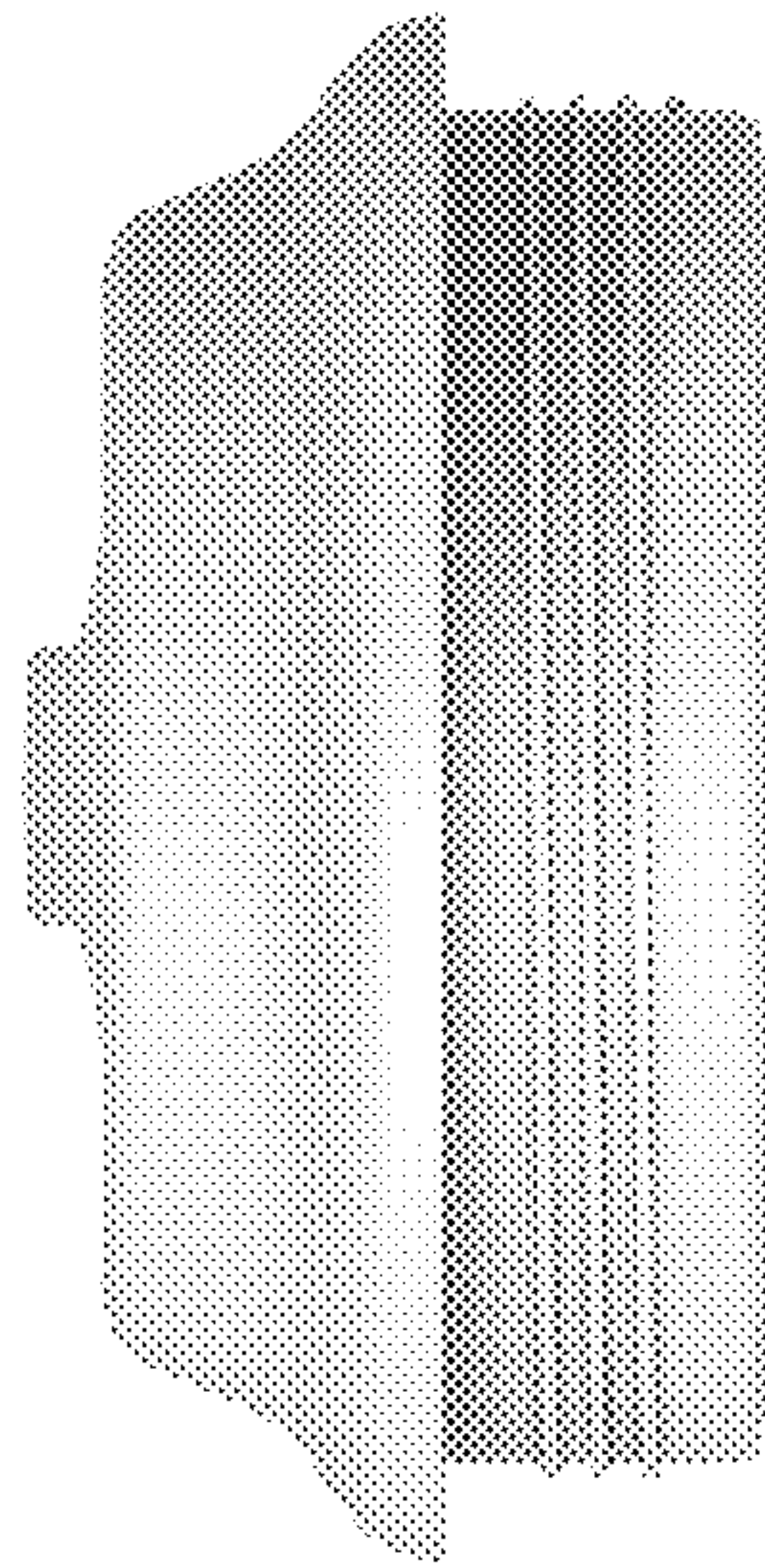




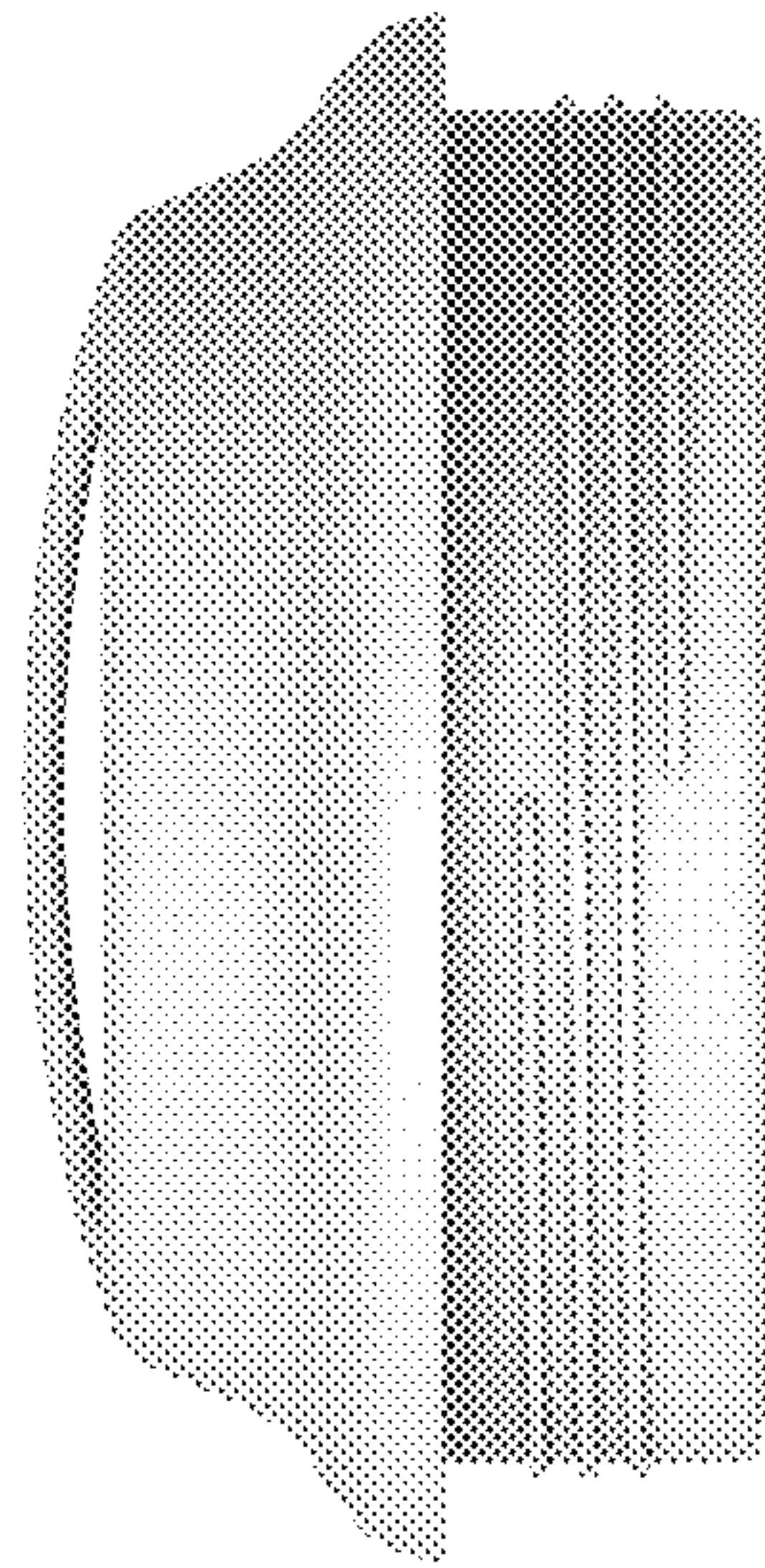
2.1



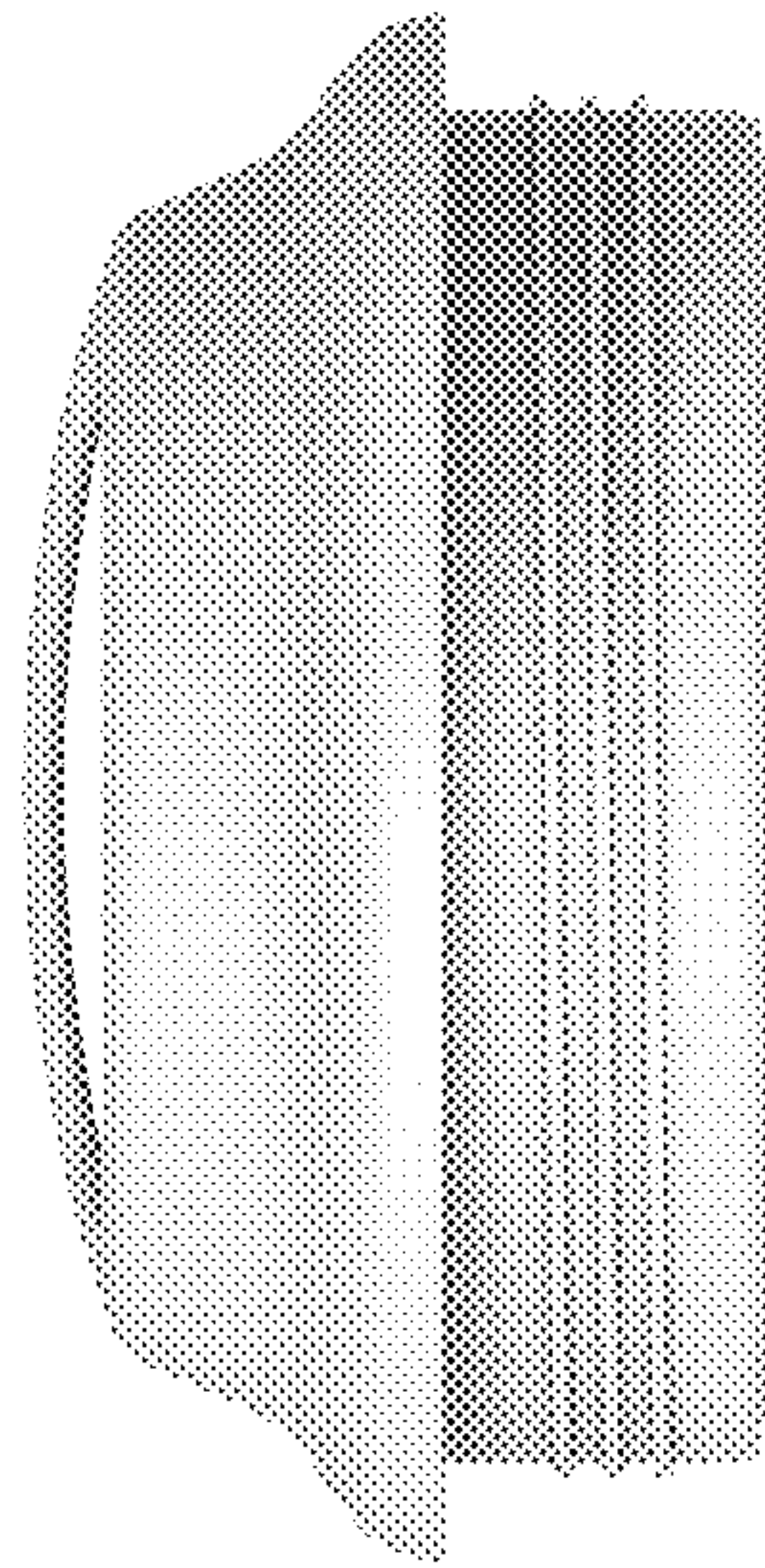
2.2



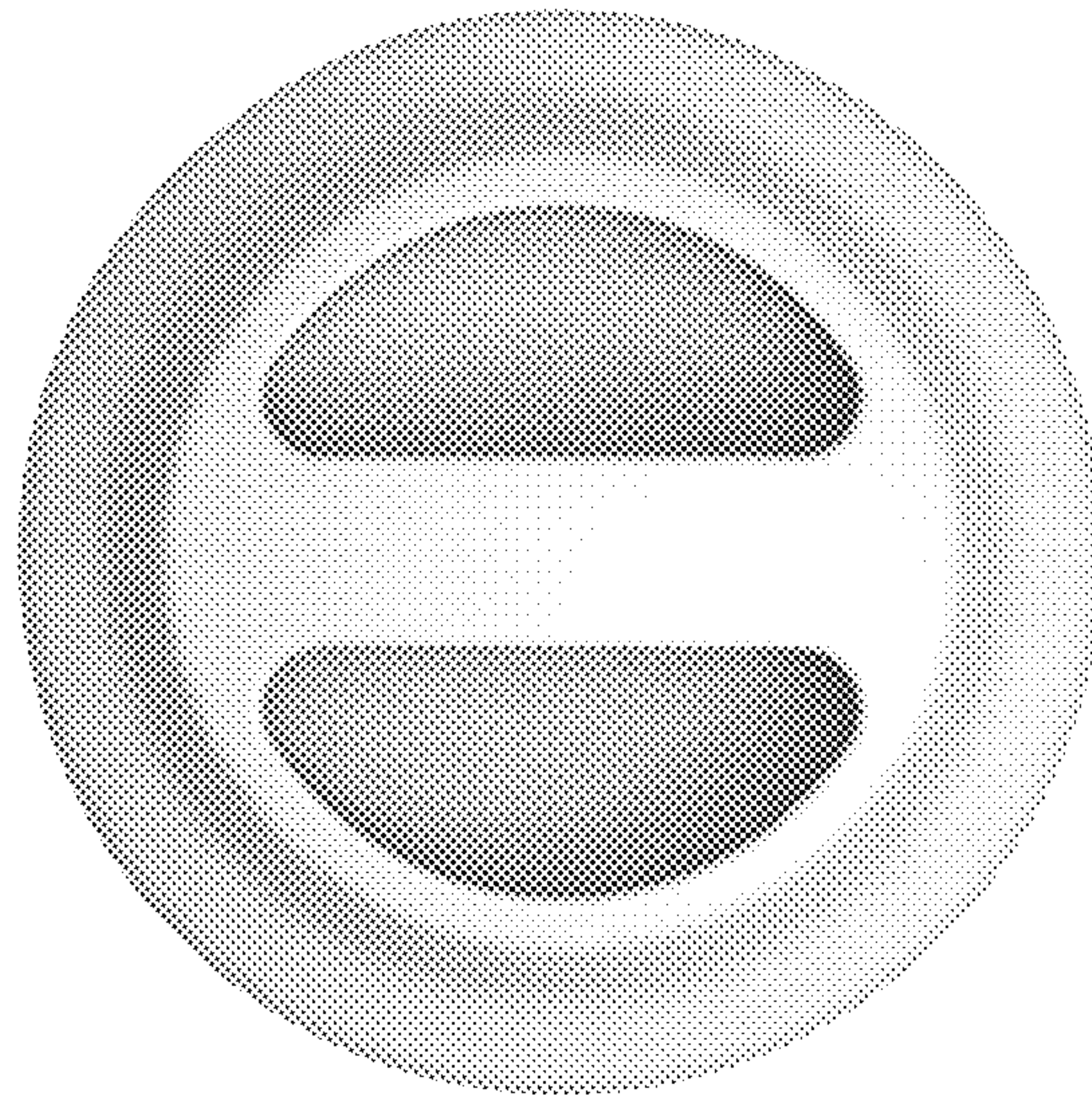
2.3



2.4



2.5



2.6

2.7

