



US00D955180S

(12) **United States Design Patent**
Bibbs

(10) **Patent No.:** **US D955,180 S**
(45) **Date of Patent:** **** Jun. 21, 2022**

- (54) **PORTABLE COOLER**
- (71) Applicant: **Jeffery Bibbs**, Lithonia, GA (US)
- (72) Inventor: **Jeffery Bibbs**, Lithonia, GA (US)
- (**) Term: **15 Years**
- (21) Appl. No.: **29/730,131**
- (22) Filed: **Apr. 1, 2020**
- (51) **LOC (13) Cl.** **07-01**
- (52) **U.S. Cl.**
USPC **D7/605**
- (58) **Field of Classification Search**
USPC D7/605–607, 709, 710, 629; D3/272–274
CPC F25D 3/08; F25D 3/02; F25D 3/04; F25D
3/06; F25D 3/14; F25D 3/107; F25D
2331/804; F25D 2331/801; B65D 81/38;
B65D 81/3813; B65D 81/3816; B65D
81/3818; B65D 81/382; B65D 81/3823;
B65D 81/3825; B65D 81/3827; B65D
81/383; B65D 81/3832; B65D 81/3834;
B65D 81/3848; B65D 81/3851; B65D
81/3853; B65D 81/3855; B65D 81/3858;
B65D 81/386; B65D 81/3862; A45C
11/20; A45C 3/00; A45C 2003/008
See application file for complete search history.

- (56) **References Cited**
U.S. PATENT DOCUMENTS
307,341 A 10/1884 Shaw
4,498,312 A * 2/1985 Schlosser A47J 39/00
62/530
5,329,787 A * 7/1994 Friday F25D 3/08
62/530

- 5,568,735 A * 10/1996 Newkirk F25D 3/08
62/530
- 5,570,588 A 11/1996 Lowe
- 5,671,611 A * 9/1997 Quigley F25D 3/08
62/457.7
- 6,349,559 B1 2/2002 Hasanovic
- 6,971,539 B1 * 12/2005 Abbe B65D 25/54
220/592.12
- D787,276 S * 5/2017 Furneaux D7/605
- D795,018 S * 8/2017 Klettner D7/605
- D796,911 S * 9/2017 Deutsch D14/315
- 10,717,499 B1 * 7/2020 Street B65D 25/22
- 11,072,484 B1 * 7/2021 Silva B65D 53/00
- 2014/0352350 A1 * 12/2014 Wickline F25D 3/08
62/457.7

* cited by examiner

Primary Examiner — Terry A Wallace

(74) *Attorney, Agent, or Firm* — Nelson Mullins Riley & Scarborough LLP

(57) **CLAIM**

The ornamental design for a portable cooler, as shown and described.

DESCRIPTION

FIG. 1 is a right side perspective view of a portable cooler showing my new design.

FIG. 2 is a left side perspective view thereof.

FIG. 3 is an enlarged perspective view thereof of the detail 3-3 in FIG. 1.

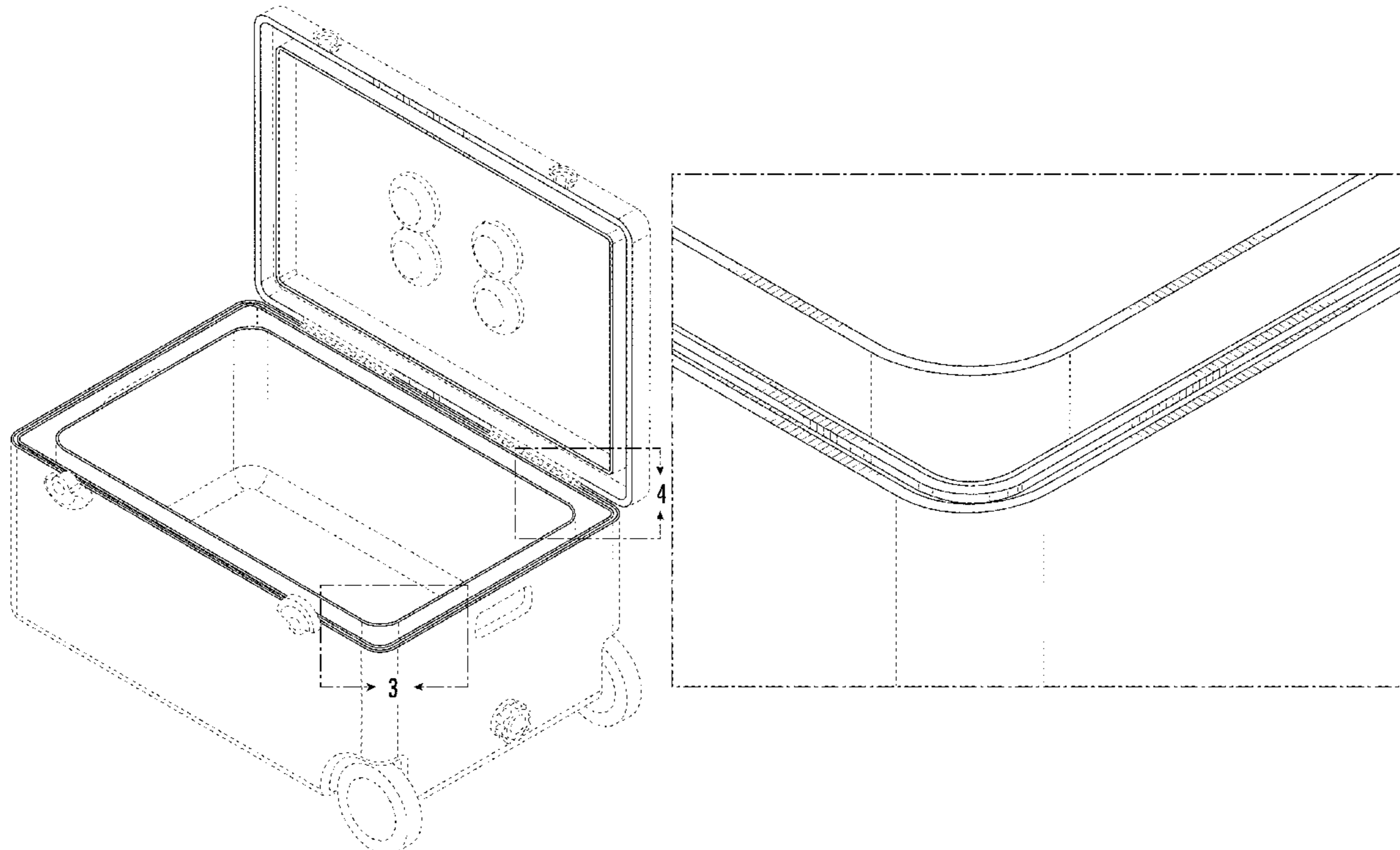
FIG. 4 is a perspective view thereof of the detail 4-4 of FIG. 1.

FIG. 5 is a front view thereof; and,

FIG. 6 is a top plan view thereof.

The portions of the portable cooler shown in broken lines form no part of the claimed design.

1 Claim, 6 Drawing Sheets



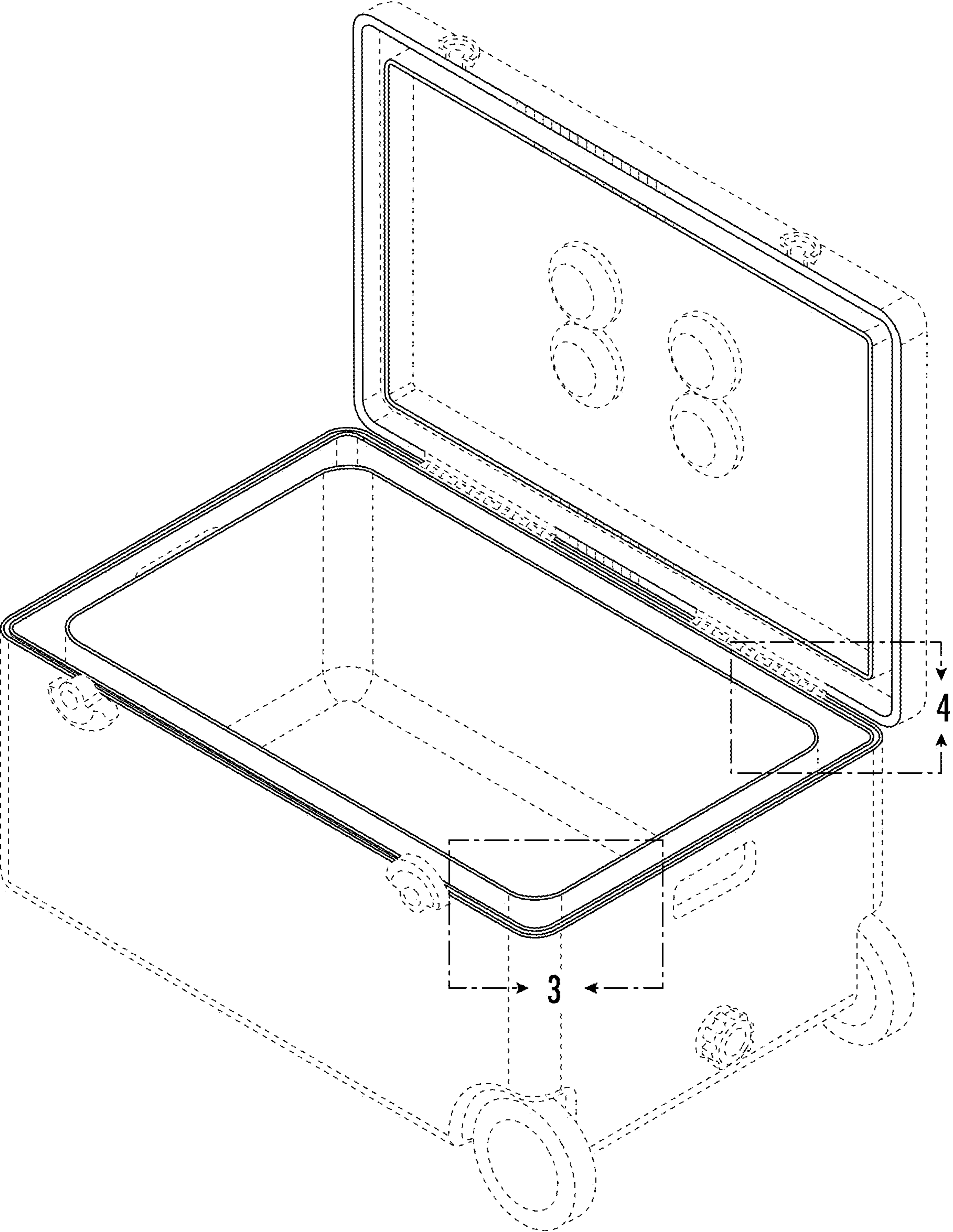


FIG. 1

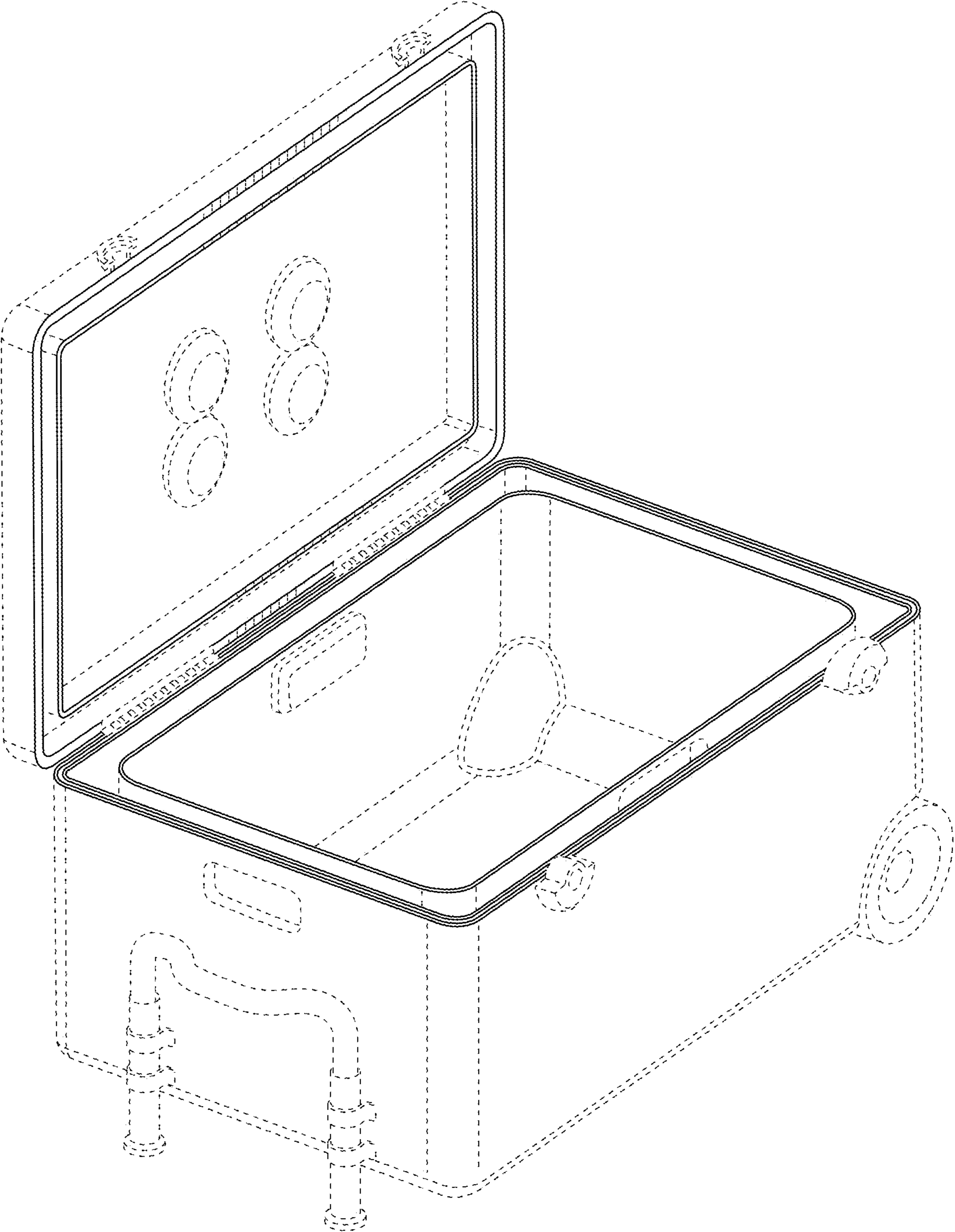


FIG. 2

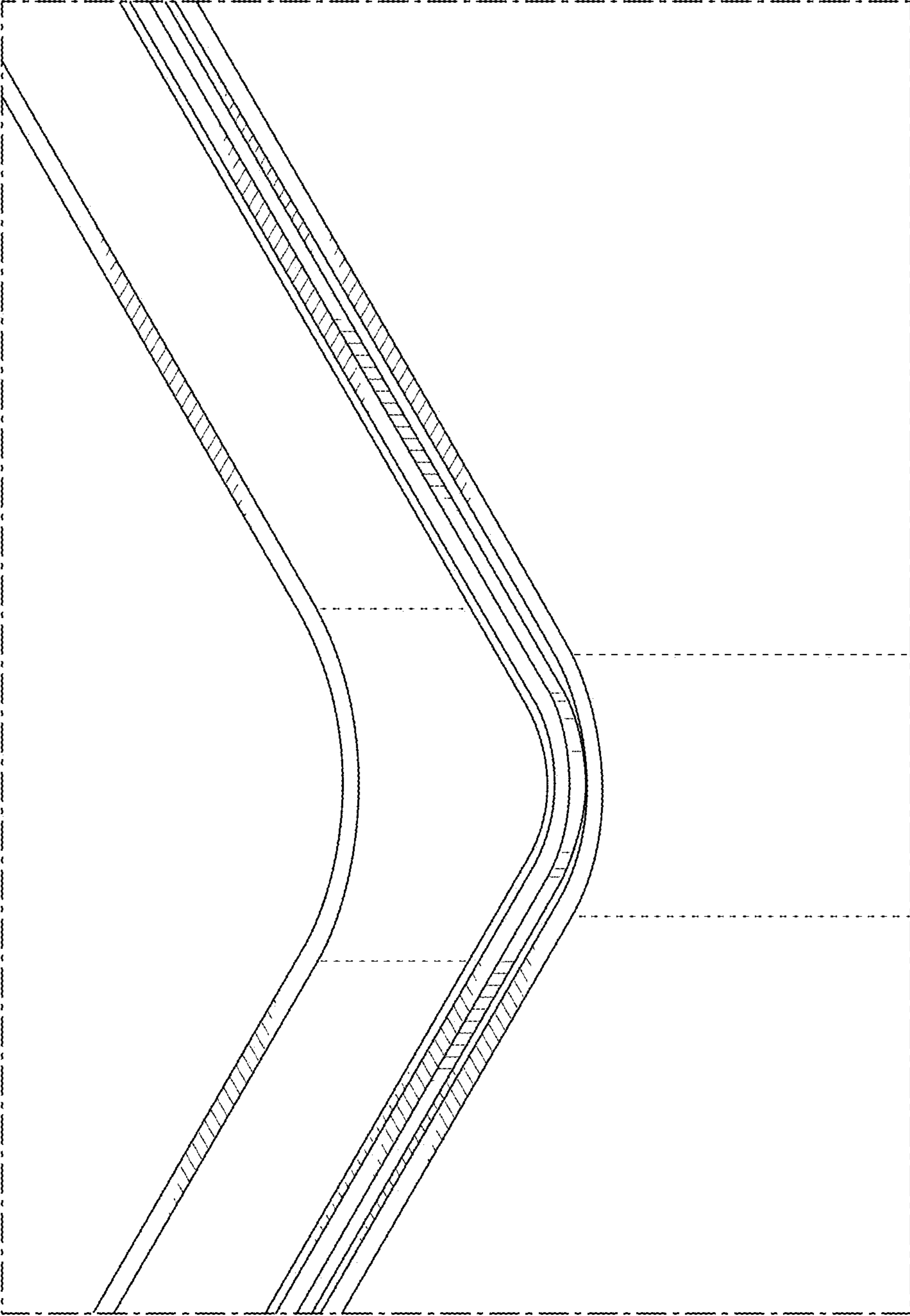


FIG. 3

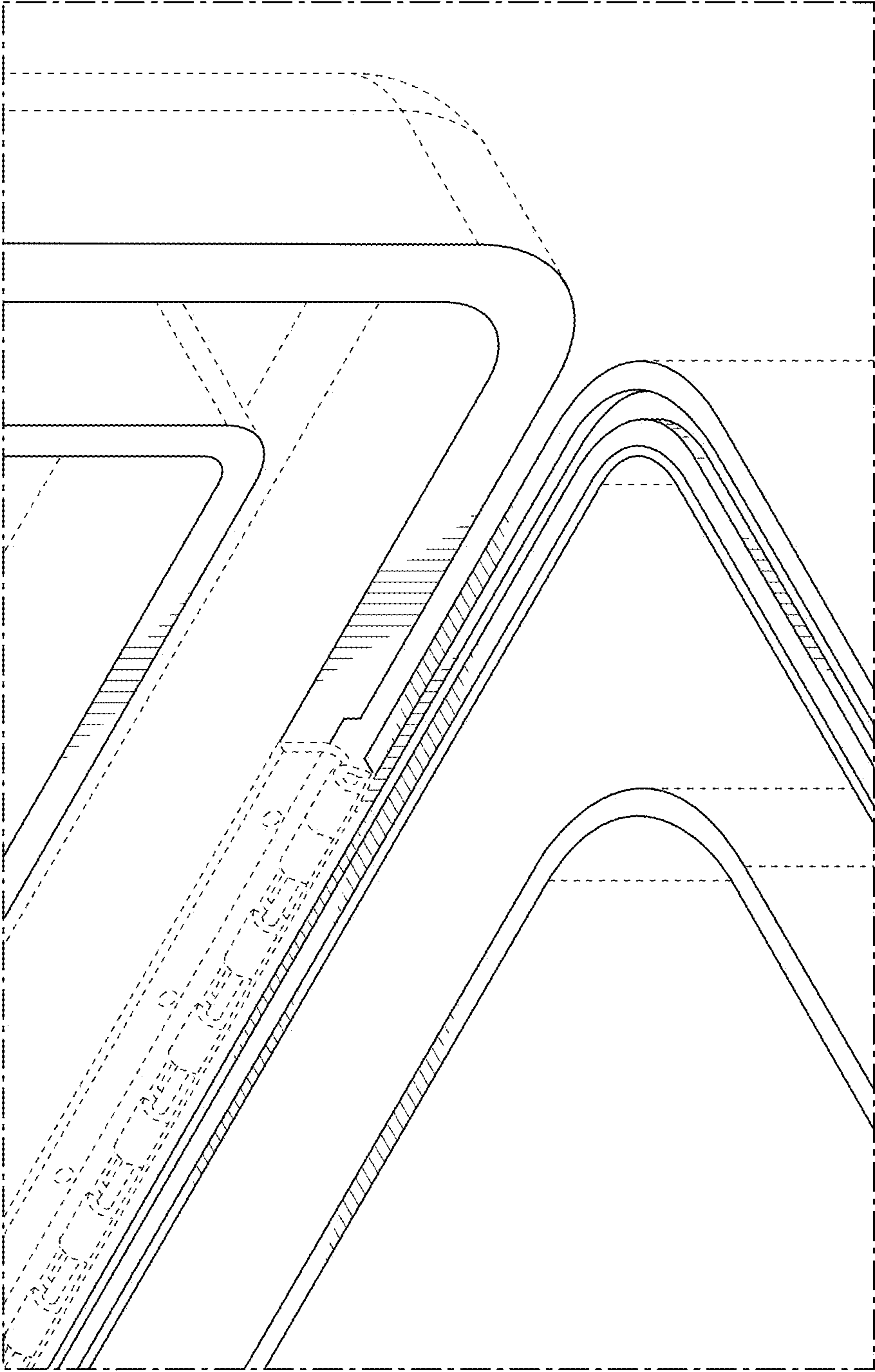


FIG. 4

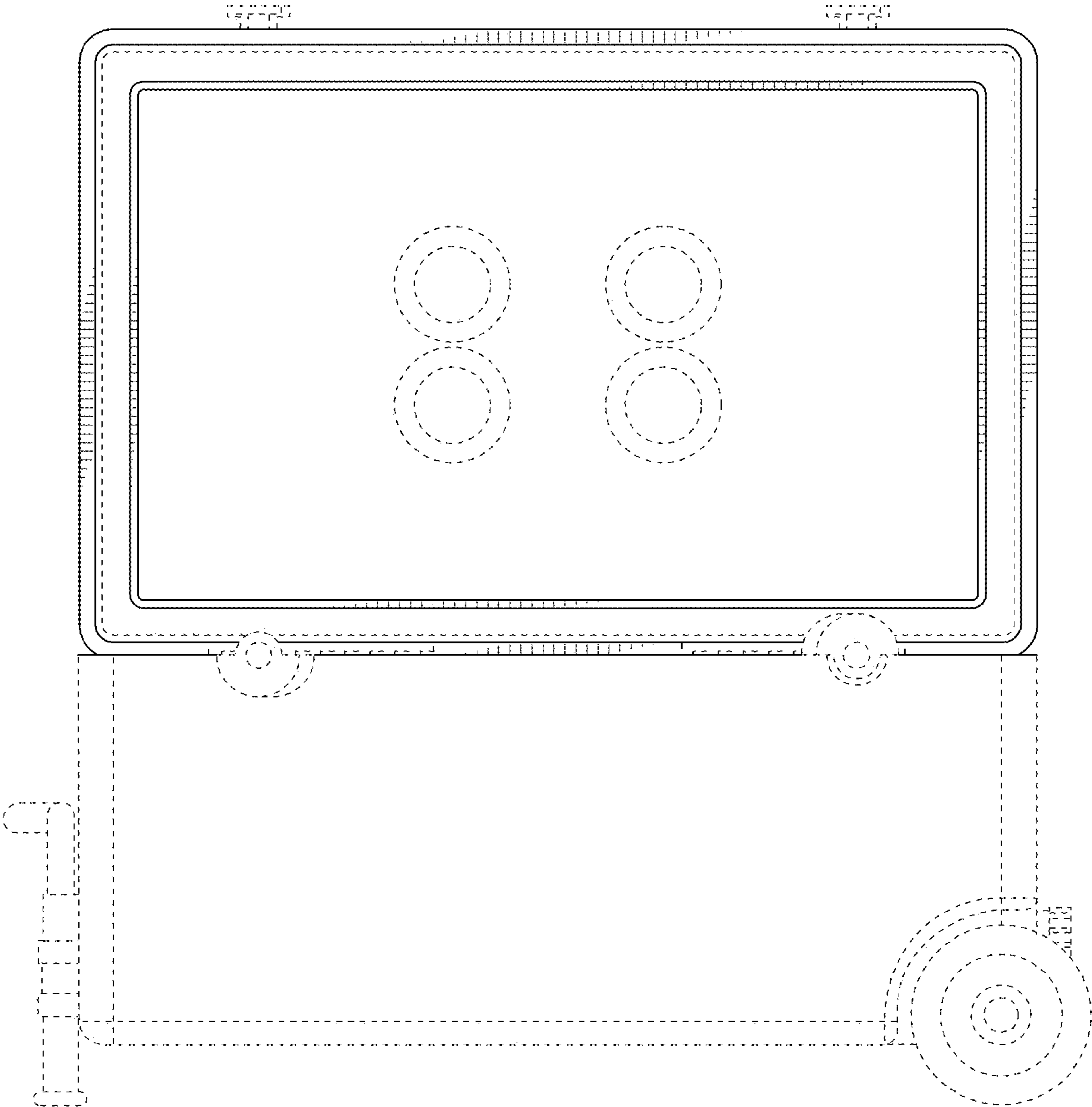


FIG. 5

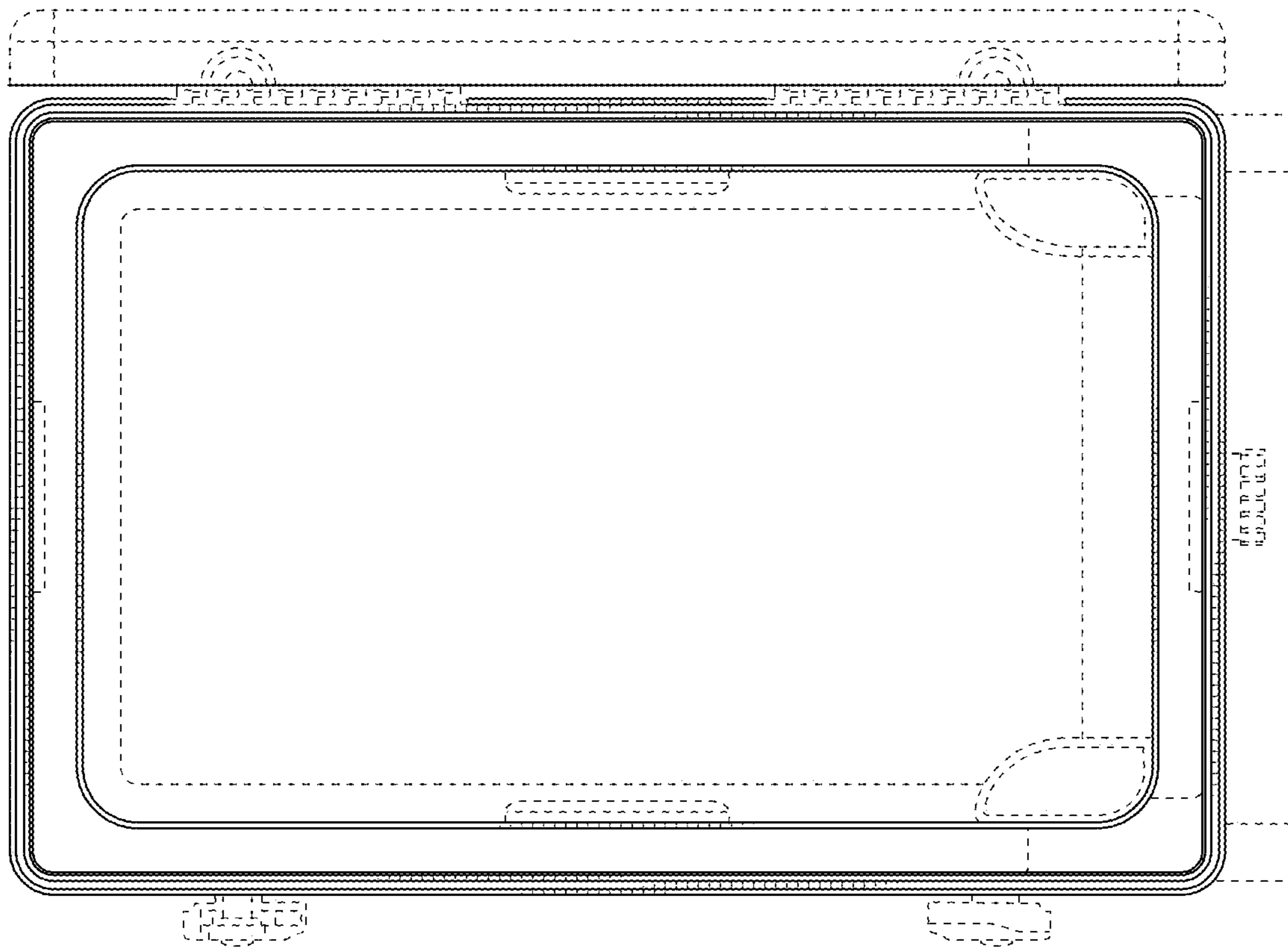


FIG. 6