



US00D955176S

(12) **United States Design Patent**
Kellow, Jr.

(10) **Patent No.:** **US D955,176 S**
(45) **Date of Patent:** **** Jun. 21, 2022**

(54) **SERVING PLATE**

- (71) Applicant: **Bethrick, Inc.**, Elroy, WI (US)
- (72) Inventor: **Richard A. Kellow, Jr.**, Elroy, WI (US)
- (73) Assignee: **Bethrick, Inc.**, Elroy, WI (US)
- (**) Term: **15 Years**
- (21) Appl. No.: **29/800,100**
- (22) Filed: **Jul. 19, 2021**

Related U.S. Application Data

- (63) Continuation of application No. 29/727,951, filed on Mar. 13, 2020, now Pat. No. Des. 925,291.
- (51) **LOC (13) Cl.** **07-01**
- (52) **U.S. Cl.**
USPC **D7/553.1**
- (58) **Field of Classification Search**
USPC D7/396.4, 501, 505, 538, 540, 541–543, D7/545–546, 549, 552.1, 553, 553.2, D7/553.4, 553.6, 554.2; D9/424, 432, D9/716, 719, 744–745, 756, 759–760, D9/761; D30/129–130; D3/304, 313, D3/315
CPC B65D 1/34; B65D 21/00; B65D 21/0204; A47G 23/06; A47G 23/0641; A47G 23/08; A47G 23/0208; A47G 23/0633; B25H 3/06; A47B 23/00
See application file for complete search history.

(56) **References Cited**

U.S. PATENT DOCUMENTS

| | | |
|-------------|--------|----------|
| 2,427,697 A | 9/1947 | Weidler |
| D190,668 S | 6/1961 | Bliss |
| 3,955,672 A | 5/1976 | Brundage |
| 4,346,070 A | 8/1982 | Johnson |
| 4,461,396 A | 7/1984 | Harper |

(Continued)

OTHER PUBLICATIONS

anypromo.com, "Party Valet Snack & Wine Tray," retrieved from <https://bit.ly/2T1qUu3> on Feb. 26, 2020, 7 pages.

(Continued)

Primary Examiner — Kelley A Donnelly

(74) *Attorney, Agent, or Firm* — Foley & Lardner LLP

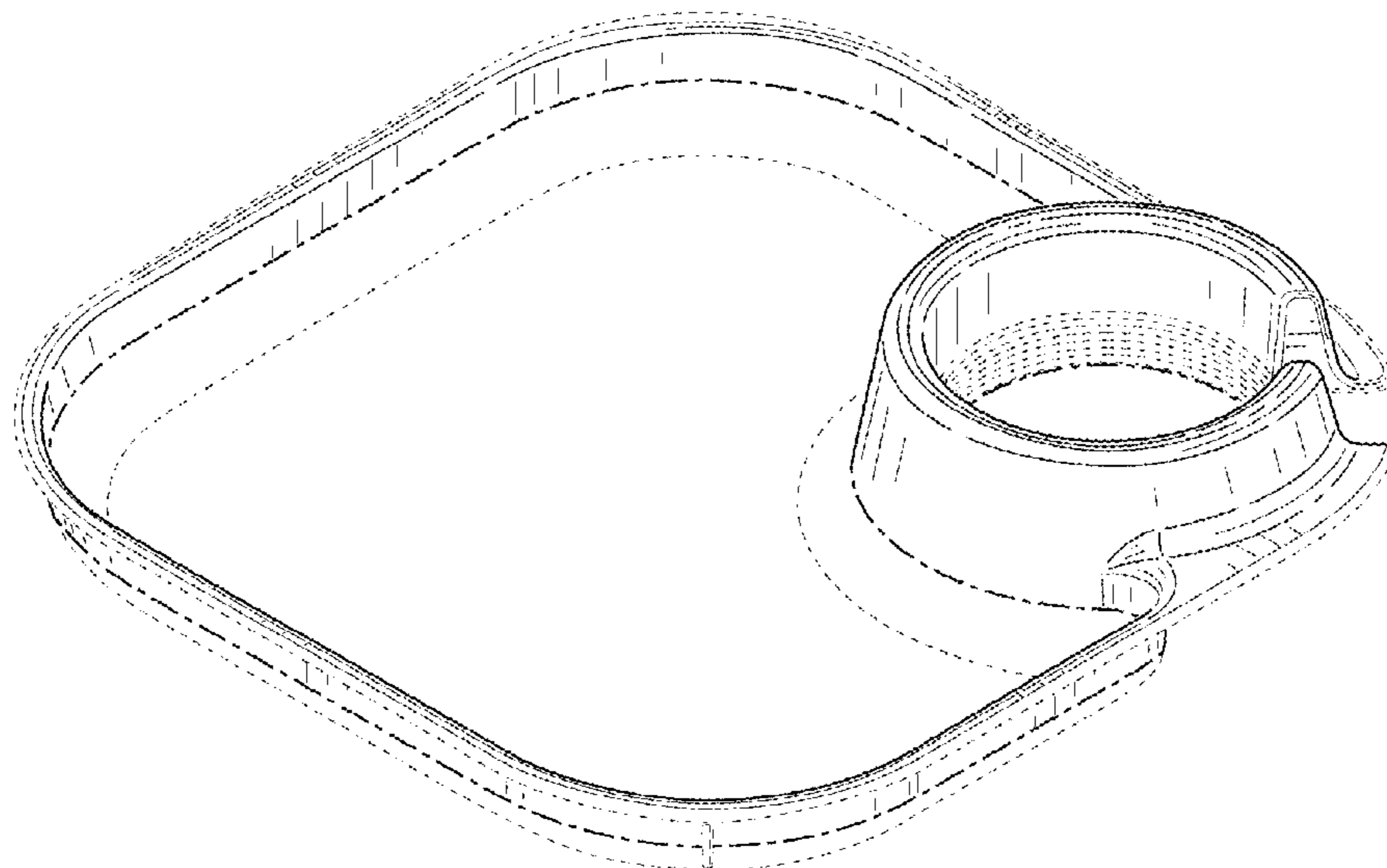
(57) **CLAIM**

I claim the ornamental design for a serving plate, as shown and described.

DESCRIPTION

FIG. 1 is a top perspective view of the claimed design according to a first embodiment;
 FIG. 2 is a second top perspective view thereof;
 FIG. 3 is a top plan view thereof;
 FIG. 4 is a bottom plan view thereof;
 FIG. 5 is a front elevation view thereof;
 FIG. 6 is a rear elevation view thereof;
 FIG. 7 is a right side elevation view thereof;
 FIG. 8 is a left side elevation view thereof;
 FIG. 9 is a cross section view of the claimed design as shown in FIG. 3;
 FIG. 10 is a top perspective view of the claimed design according to a second embodiment;
 FIG. 11 is a second top perspective view thereof;
 FIG. 12 is a top plan view thereof;
 FIG. 13 is a bottom plan view thereof;
 FIG. 14 is a front elevation view thereof;
 FIG. 15 is a rear elevation view thereof;
 FIG. 16 is a right side elevation view thereof;
 FIG. 17 is a left side elevation view thereof; and,
 FIG. 18 is a cross section view of the claimed design as shown in FIG. 12.
 The ornamental design which is claimed is shown in solid lines in the Figures.

1 Claim, 12 Drawing Sheets



(56)

References Cited

U.S. PATENT DOCUMENTS

D286,250 S 10/1986 Prescott
 D301,820 S 6/1989 Wasserman
 D303,194 S 9/1989 Darby et al.
 D304,658 S 11/1989 Mattei
 4,938,373 A 7/1990 McKee
 5,058,737 A 10/1991 Patterson et al.
 D331,860 S 12/1992 Stanfield
 5,184,750 A 2/1993 Moller
 5,184,751 A 2/1993 Middleton
 5,207,743 A 5/1993 Costarella et al.
 5,249,700 A 10/1993 Dumke
 D342,190 S 12/1993 Devitt
 D356,010 S 3/1995 McEntee
 D360,112 S 7/1995 McEntee
 5,441,164 A 8/1995 Beck et al.
 D367,587 S * 3/1996 Perlmutter D7/553.3
 5,551,593 A 9/1996 Wiens
 5,695,052 A 12/1997 Damato
 D398,481 S 9/1998 Brown et al.
 5,803,305 A 9/1998 Perlis et al.
 D400,405 S * 11/1998 Thaler D7/553.2
 D404,612 S 1/1999 Blazeovich
 5,960,982 A 10/1999 Perlis et al.
 6,062,418 A 5/2000 Rathjen
 6,129,235 A 10/2000 Creske
 D442,830 S 5/2001 Raucci
 D444,676 S 7/2001 Murphy
 D453,308 S 2/2002 McCauley
 6,516,747 B1 2/2003 Willinger
 6,550,630 B1 4/2003 Krupa
 6,691,890 B1 2/2004 Persson
 D502,058 S 2/2005 Stilz
 D509,104 S 9/2005 Price
 D509,994 S 9/2005 Hadland
 D511,273 S 11/2005 Hadeler
 D516,867 S 3/2006 Martin et al.
 D523,185 S 6/2006 Oliphant
 D526,536 S 8/2006 Littlejohn et al.
 D527,224 S 8/2006 Roth et al.
 D527,952 S 9/2006 Roth et al.
 D527,954 S 9/2006 Roth
 D547,126 S 7/2007 Levine et al.
 D560,044 S 1/2008 Roes
 D568,112 S 5/2008 Epstein
 D574,180 S 8/2008 Broom
 D576,448 S 9/2008 Harris
 D579,274 S 10/2008 Bizzell
 D582,102 S 12/2008 Roes
 D591,560 S * 5/2009 Lackey D12/419
 D592,017 S 5/2009 Bizzell

D593,364 S 6/2009 Harris
 D597,261 S 7/2009 Dye et al.
 D608,593 S 1/2010 Follansbee et al.
 D623,806 S 9/2010 Modi et al.
 7,992,740 B2 8/2011 Kinchen
 D654,230 S 2/2012 Tedaldi et al.
 D679,952 S * 4/2013 Holding D7/550.1
 D682,037 S 5/2013 Cloutier
 D691,857 S 10/2013 Muspratt-Williams et al.
 8,672,175 B2 3/2014 Farmer
 D704,512 S 5/2014 Kellow, Jr.
 D716,003 S 10/2014 Brown
 D729,588 S * 5/2015 Breton D7/553.2
 9,060,628 B2 6/2015 Evans
 D735,531 S * 8/2015 Wilson D7/505
 D740,615 S 10/2015 Shoshan et al.
 D742,698 S 11/2015 Kellow, Jr.
 D750,939 S 3/2016 Kellow, Jr.
 D770,857 S * 11/2016 Davidson, IV D7/553.6
 D778,116 S 2/2017 Cao
 D781,659 S 3/2017 Kellow, Jr.
 D787,889 S * 5/2017 Patel D7/553.2
 D795,016 S 8/2017 Crawford
 D802,368 S * 11/2017 Peng D7/553.2
 D808,222 S 1/2018 Shames
 D842,044 S 3/2019 Floco
 D845,078 S * 4/2019 Hyman D7/553.1
 D858,205 S * 9/2019 Manos D7/553.8
 D870,516 S * 12/2019 Villasenor D7/553.5
 D894,688 S 9/2020 Floco
 D901,096 S 11/2020 MacNeil et al.
 D910,375 S * 2/2021 Marshall D7/505
 D925,291 S * 7/2021 Kellow, Jr. D7/553.2
 2003/0098310 A1 5/2003 McGee
 2008/0156811 A1 7/2008 Lu et al.
 2008/0173652 A1 7/2008 Chou
 2009/0194543 A1 8/2009 Farmer
 2014/0367392 A1 12/2014 McClinton
 2015/0008231 A1 1/2015 Kellow, Jr.
 2015/0150393 A1 6/2015 Avery
 2015/0216338 A1 8/2015 Shendelman
 2016/0120342 A1 5/2016 Petersburg

OTHER PUBLICATIONS

Notice of Allowance on U.S. Appl. No. 29/727,951 dated Mar. 15, 2021.
 Red Vanilla, "Trends Wine And Cheese Plate Square 7.5", Set of 6," retrieved from <https://mcys.co/2SZs5tY> on Feb. 26, 2020, 3 pages.
 Wine Devices, "Square Party Plate With Built-In Stemware Holder," retrieved from <https://bit.ly/3a4D9fd> on Feb. 26, 2020, 3 pages.

* cited by examiner

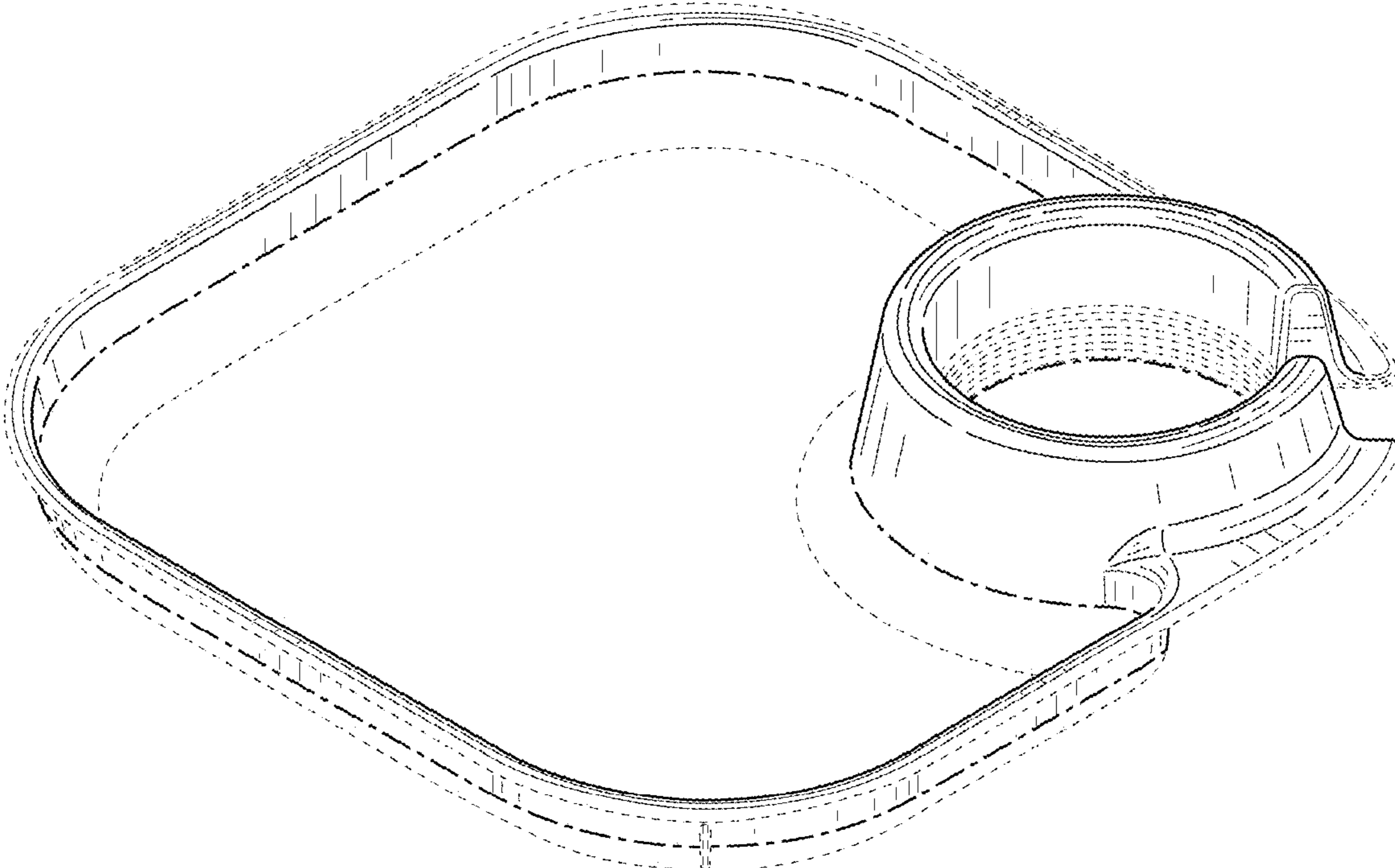


FIG. 1

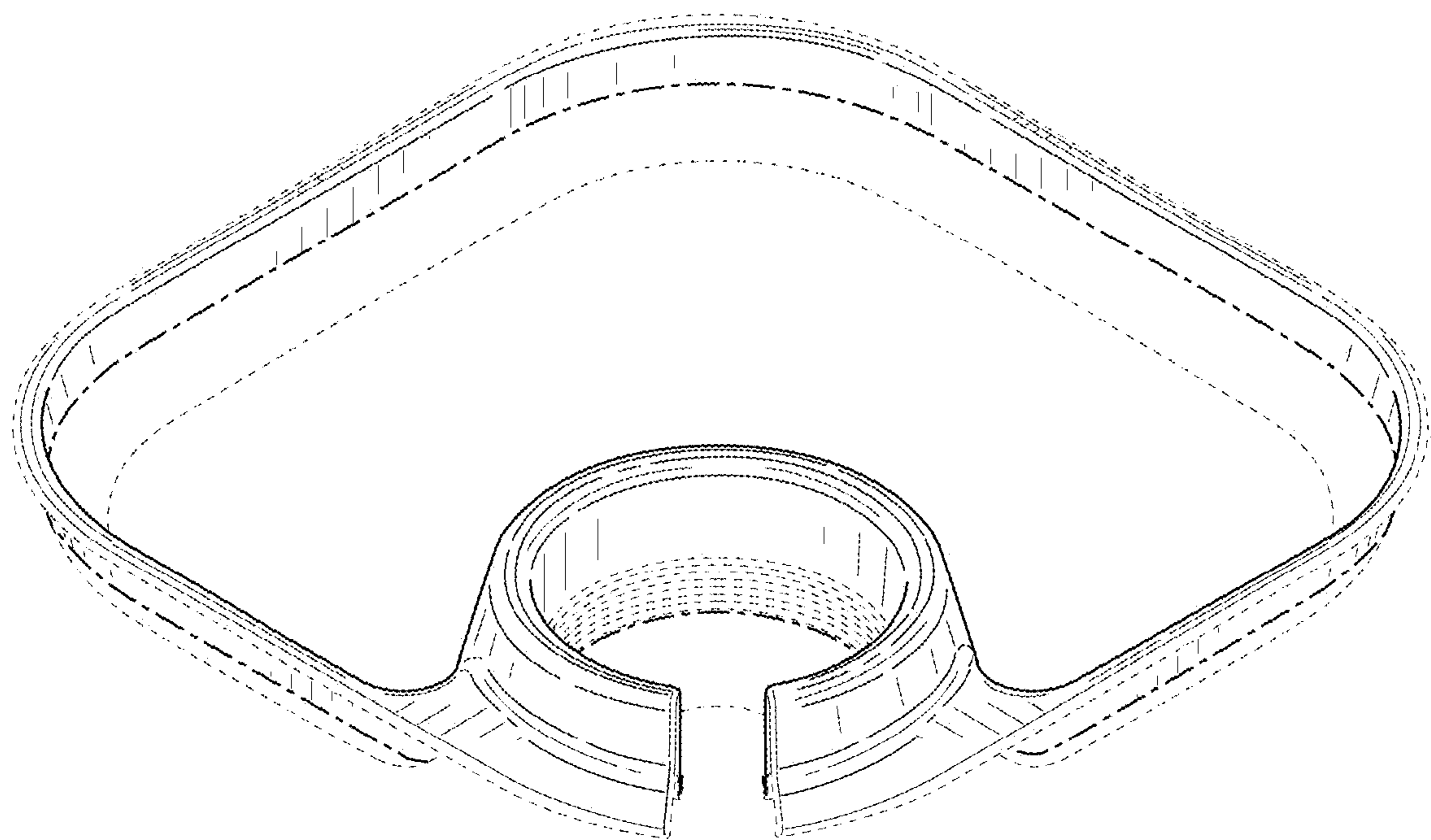


FIG. 2

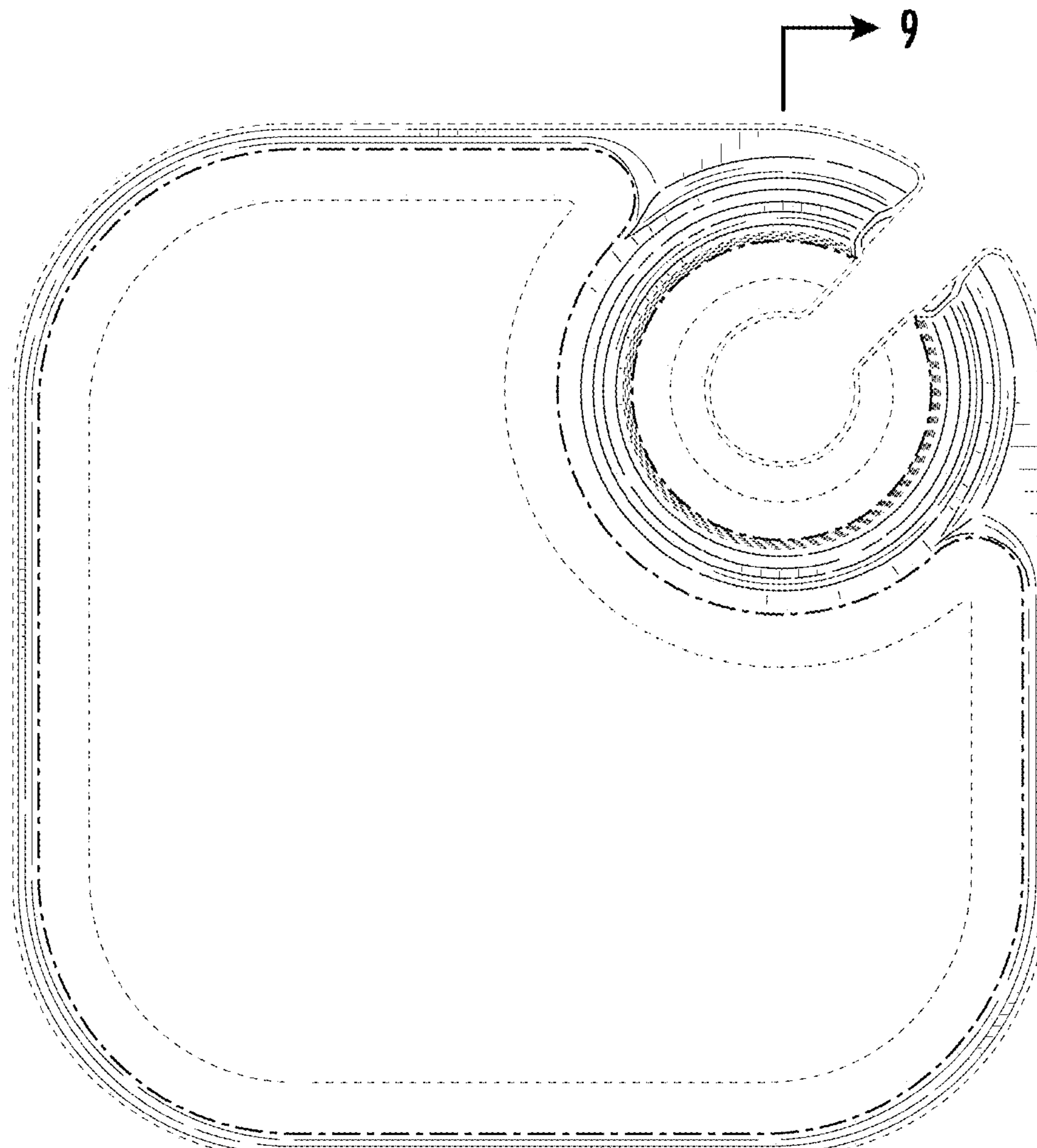


FIG. 3

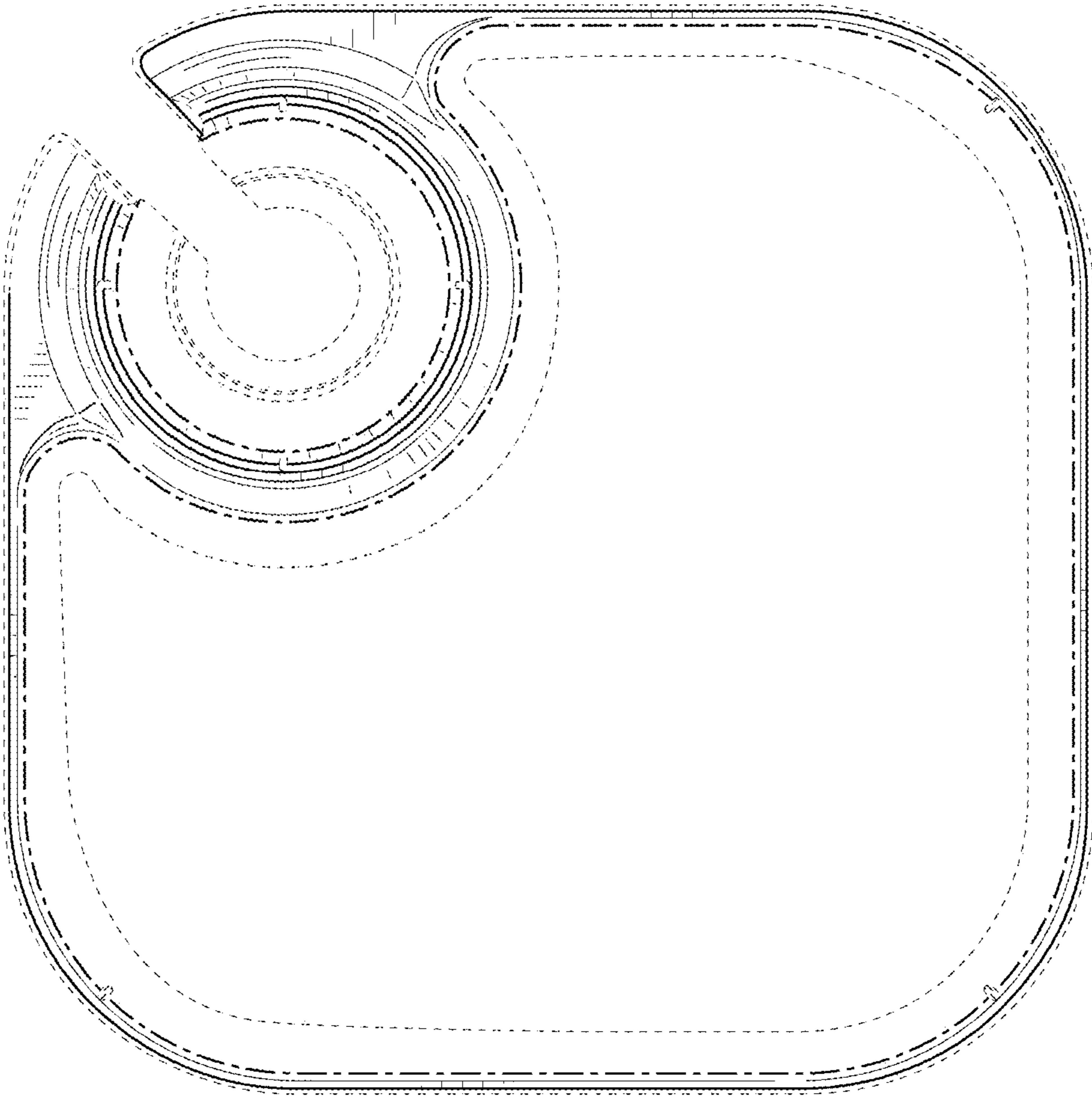


FIG. 4

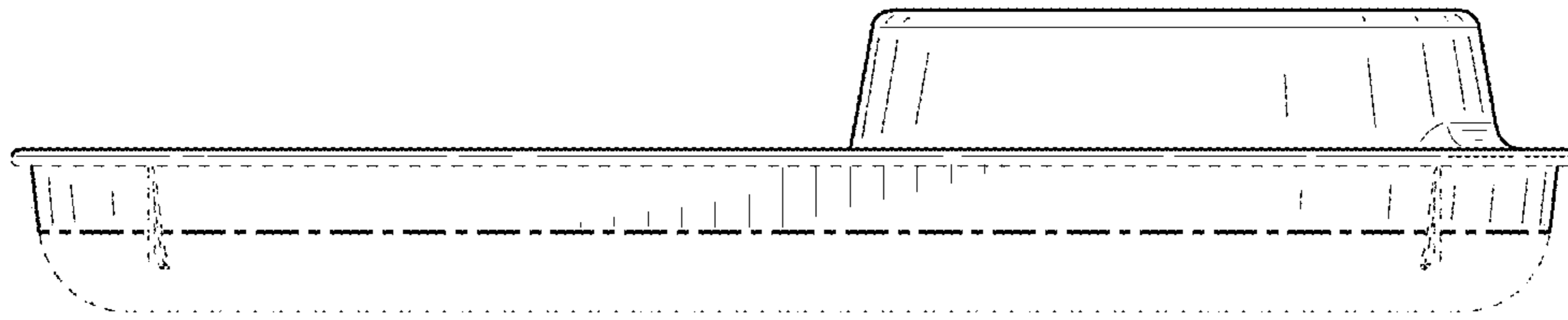


FIG. 5

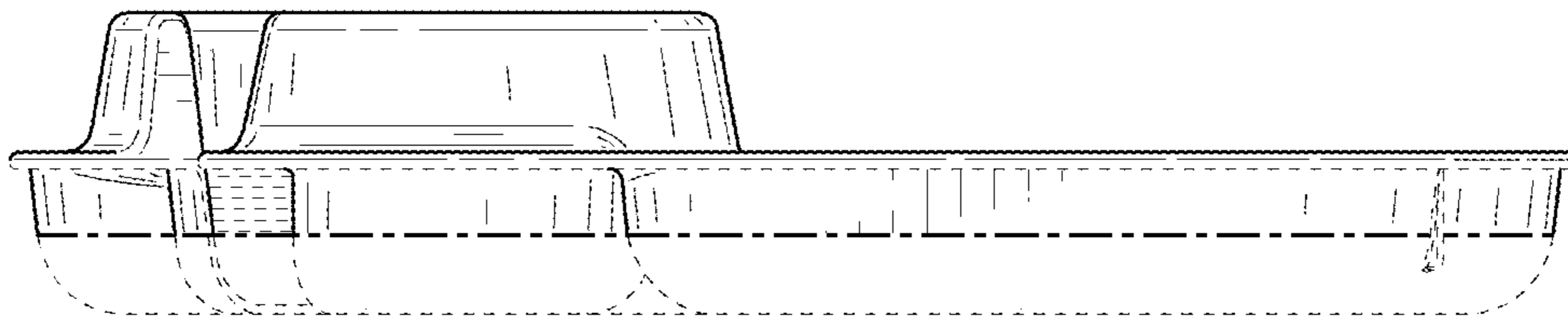


FIG. 6

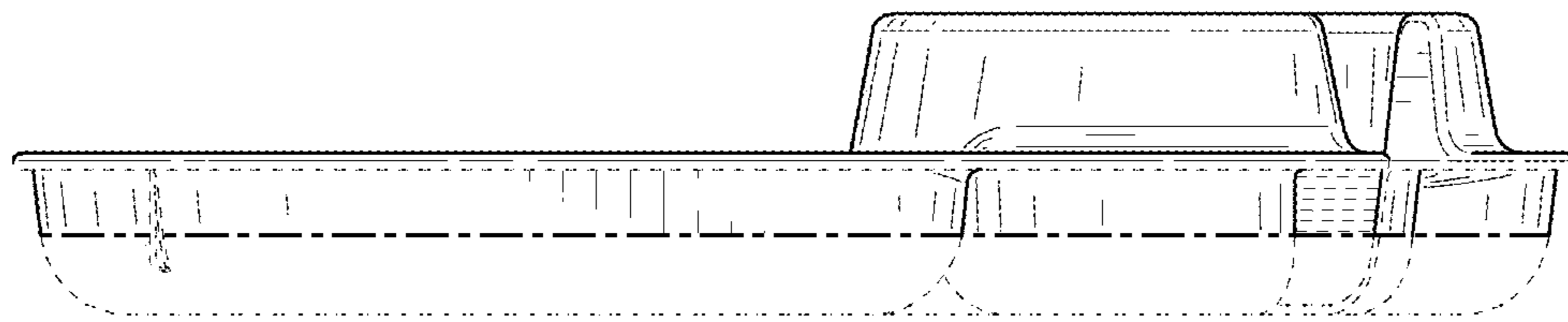


FIG. 7

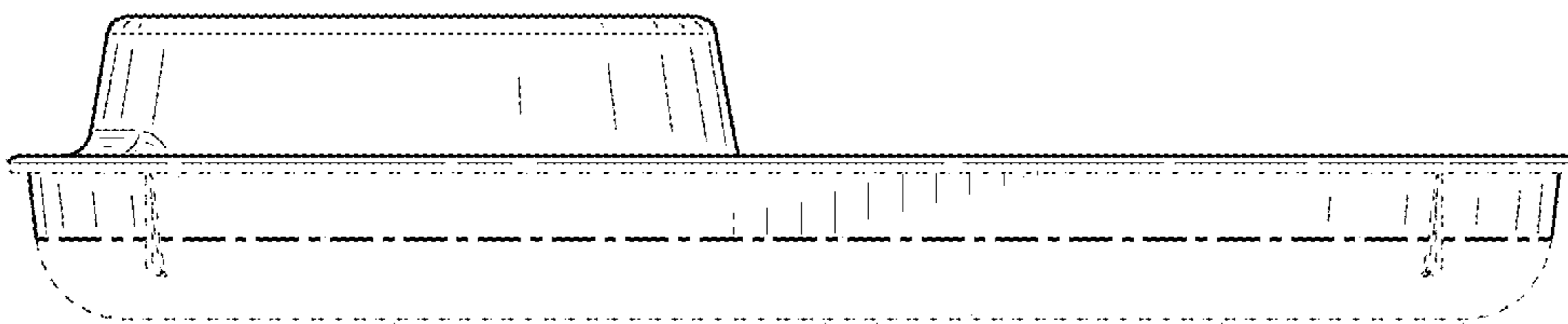


FIG. 8

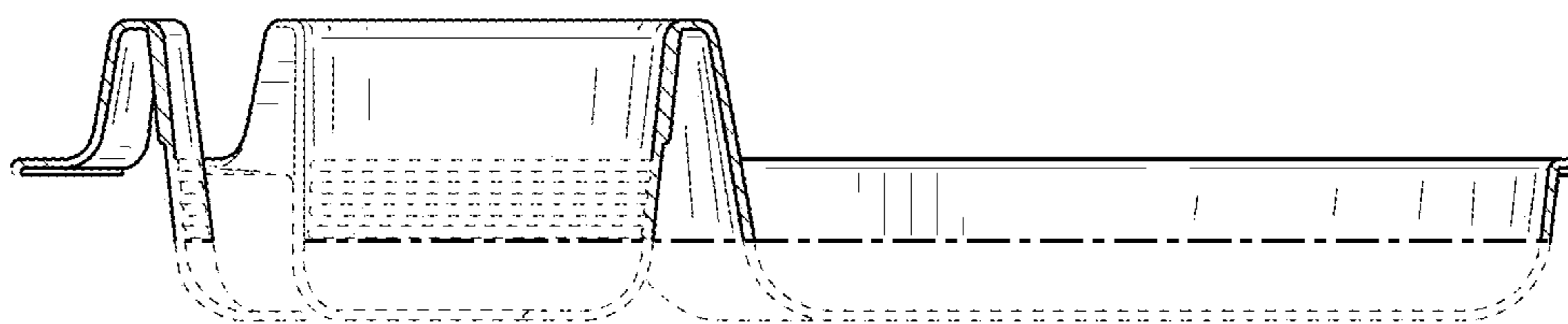


FIG. 9

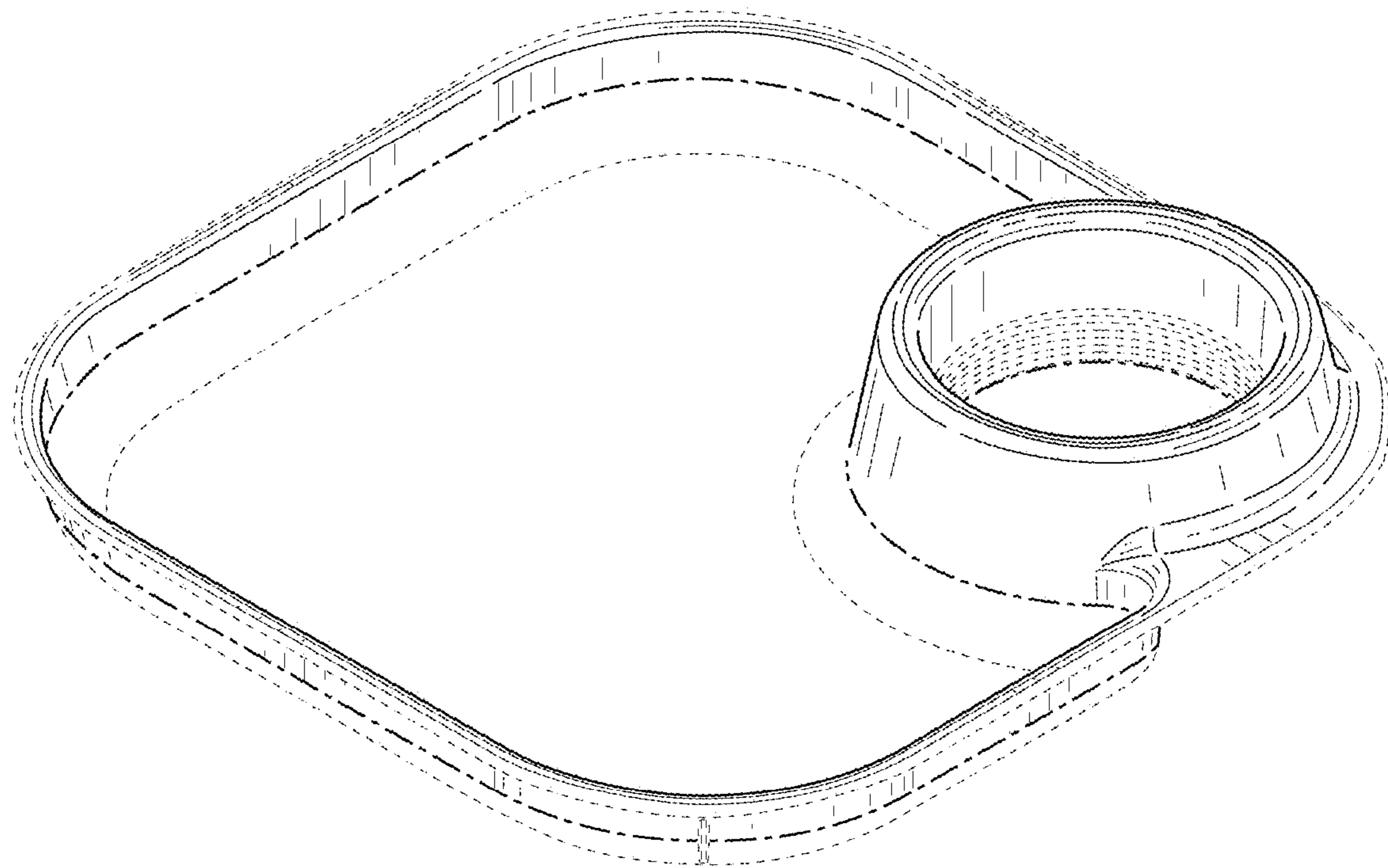


FIG. 10

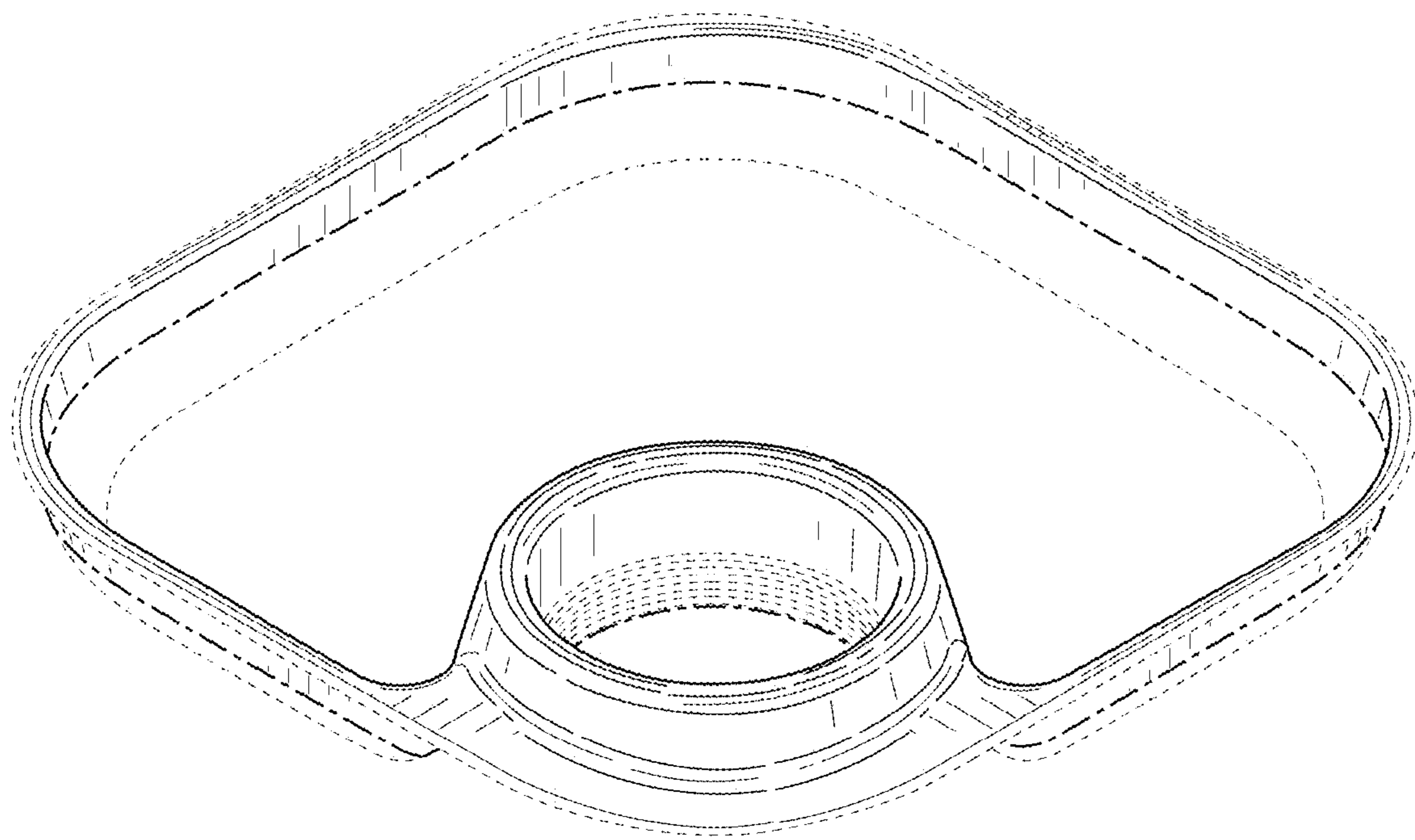


FIG. 11

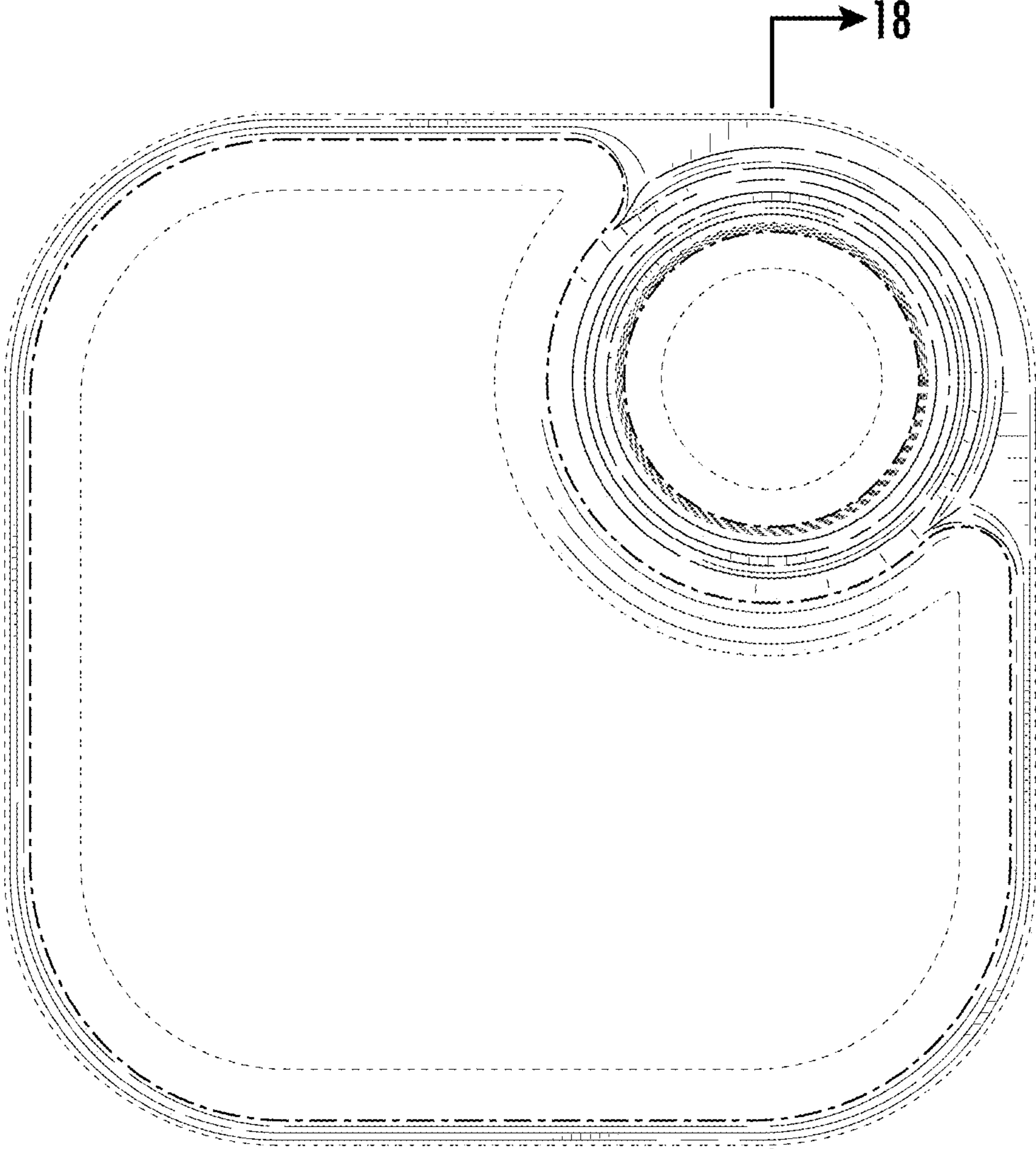
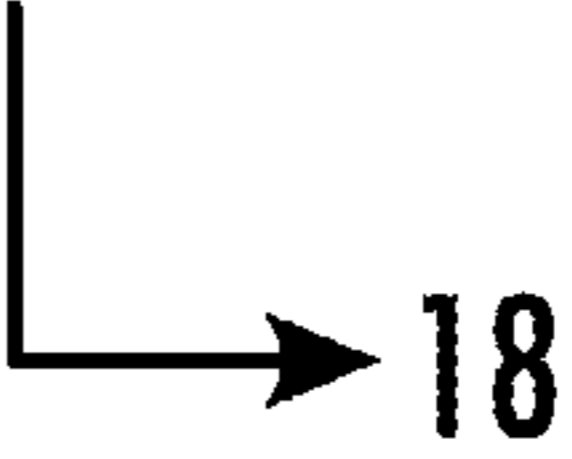


FIG. 12



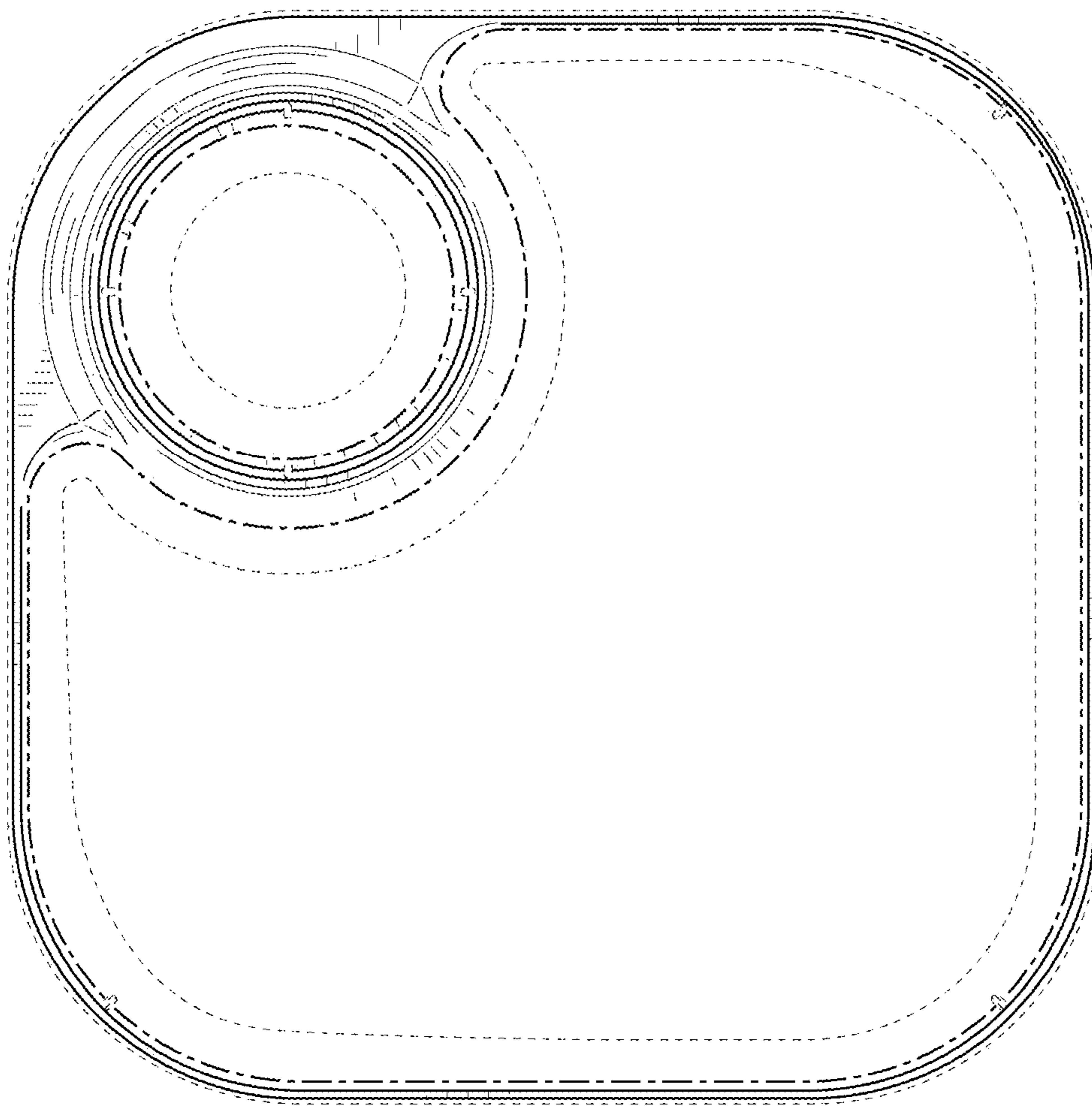


FIG. 13

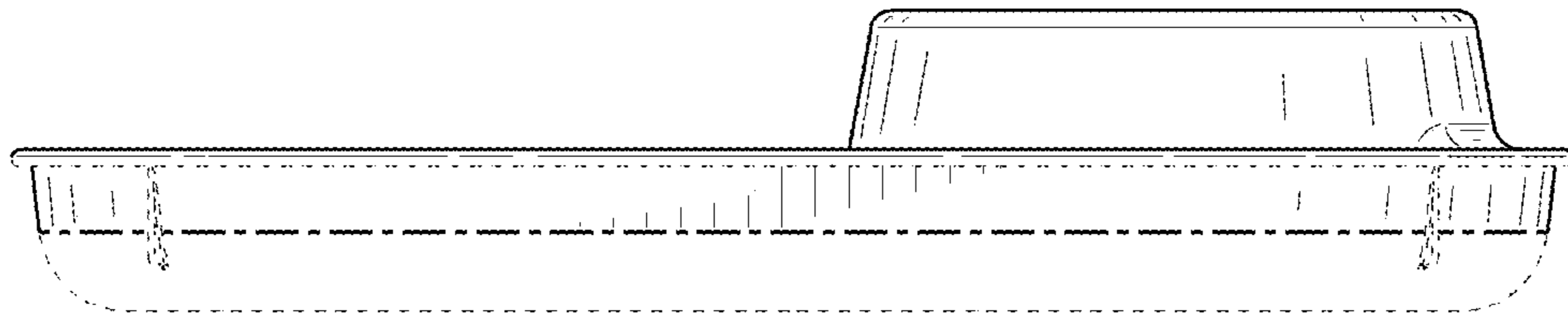


FIG. 14

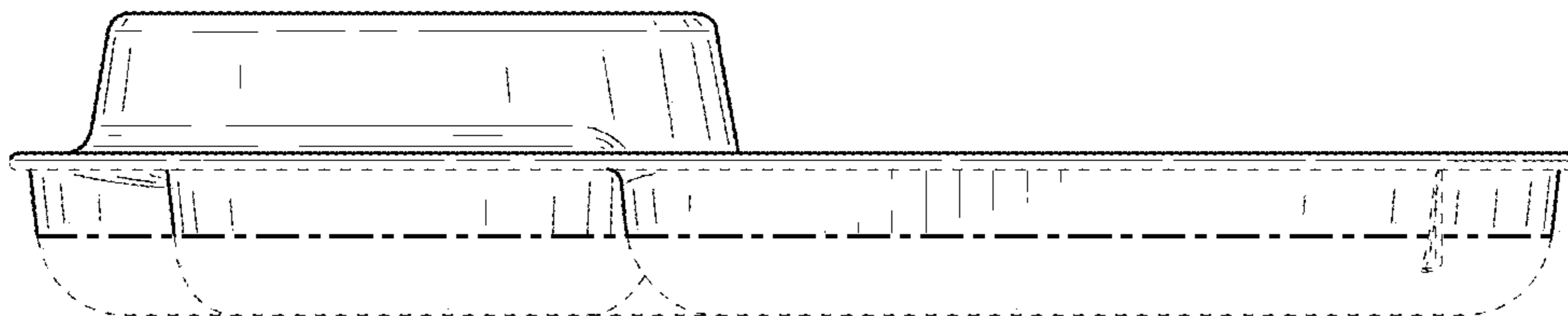


FIG. 15

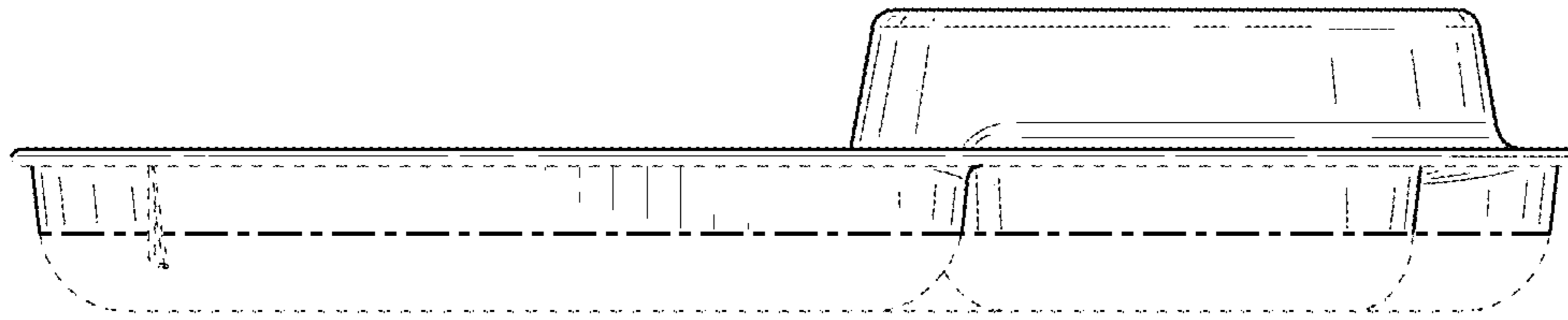


FIG. 16

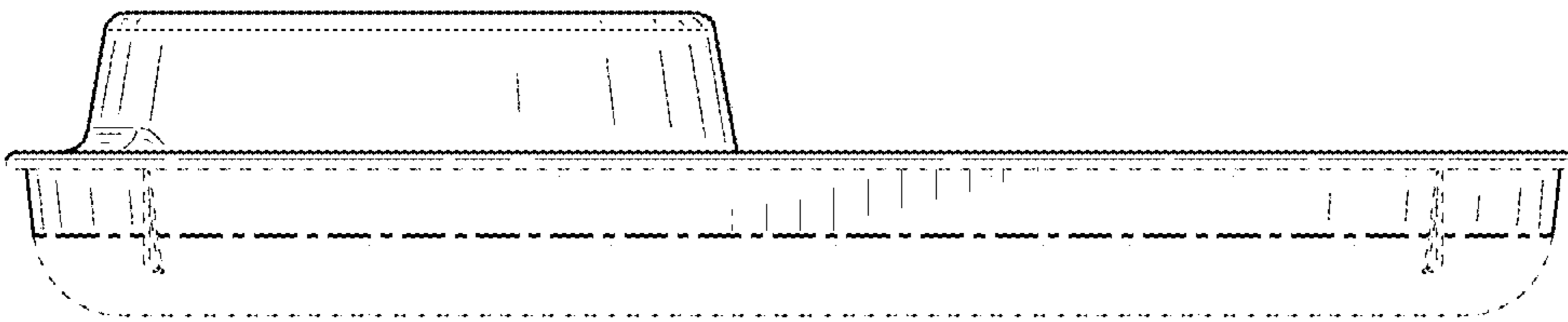


FIG. 17

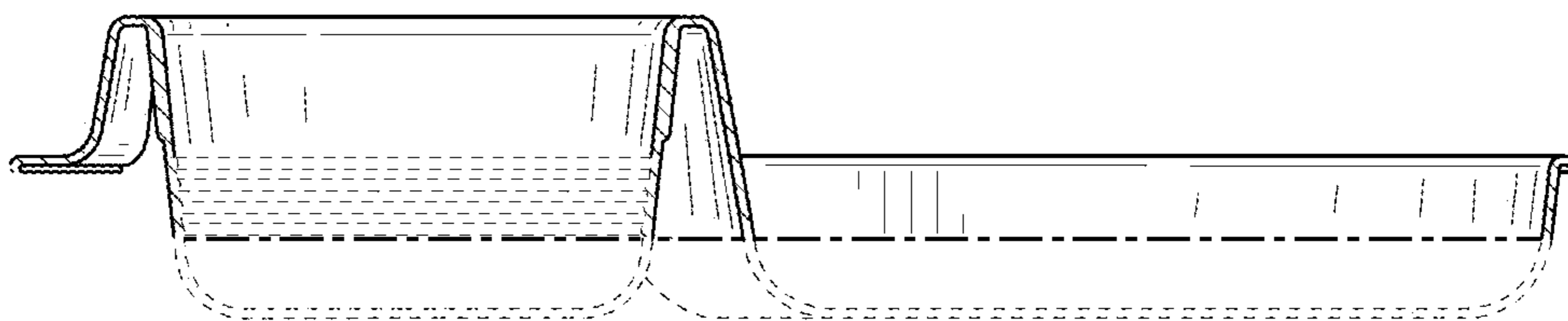


FIG. 18