



US00D955173S

(12) **United States Design Patent** (10) **Patent No.:** **US D955,173 S**  
**Smith et al.** (45) **Date of Patent:** **\*\* Jun. 21, 2022**

(54) **BEVERAGE CONTAINER**

(71) Applicant: **Pacific Market International, LLC**,  
Seattle, WA (US)

(72) Inventors: **Ryan Michael Smith**, Seattle, WA  
(US); **Matthew Kenneth Dolph**,  
Seattle, WA (US)

(73) Assignee: **Pacific Market International, Inc.**,  
Seattle, WA (US)

(\*\*) Term: **15 Years**

(21) Appl. No.: **29/751,143**

(22) Filed: **Sep. 18, 2020**

(51) **LOC (13) Cl.** ..... **07-01**

(52) **U.S. Cl.**

USPC ..... **D7/511; D7/523**

(58) **Field of Classification Search**

USPC ..... D7/507, 509, 510, 511, 523, 533, 536,  
D7/392.1, 396.1, 396.2, 608, 300.1, 598,  
D7/600, 532, 900, 603, 316, 619.1;  
D9/443, 446, 449, 561, 545; D3/202;  
D29/125, 126; 220/713, 715

CPC ..... B65D 1/40; B65D 21/086; B65D 21/02;  
B65D 43/00; B65D 41/00; A47G 21/18;  
A47G 19/22; A47G 19/2288; A47G  
19/2205; A47G 23/16; A47G 19/2272;

(Continued)

(56) **References Cited**

**U.S. PATENT DOCUMENTS**

1,575,870 A \* 3/1926 Sehlbach ..... A47G 19/2205  
215/383

D451,807 S \* 12/2001 Goettner ..... D9/502

(Continued)

**FOREIGN PATENT DOCUMENTS**

CA 171361 \* 8/2017

CN 305748989 \* 5/2020

(Continued)

**OTHER PUBLICATIONS**

Iceflow [online] URL: <https://www.stanley1913.com/products/the-iceflow-flip-straw-water-bottle-17-oz> (site visited: Jan. 25, 2022)  
(Year: 2021).\*

(Continued)

*Primary Examiner* — Jae Liang

*Assistant Examiner* — Tia Ruth-Renee Polidori

(74) *Attorney, Agent, or Firm* — George C. Rondeau, Jr.;  
Davis Wright Tremaine LLP

(57) **CLAIM**

The ornamental design for a beverage container, as shown  
and described.

**DESCRIPTION**

FIG. 1 is a top perspective view of a beverage container  
showing our new design.

FIG. 2 is a bottom perspective view thereof.

FIG. 3 is a left side elevational view thereof.

FIG. 4 is a rear elevational view thereof.

FIG. 5 is a right side elevational view thereof.

FIG. 6 is a front elevational view thereof.

FIG. 7 is a top plan view thereof.

FIG. 8 is a bottom plan view thereof.

FIG. 9 is a top perspective view of a second embodiment  
thereof.

FIG. 10 is a bottom perspective view thereof.

FIG. 11 is a left side elevational view thereof.

FIG. 12 is a rear elevational view thereof.

FIG. 13 is a right side elevational view thereof.

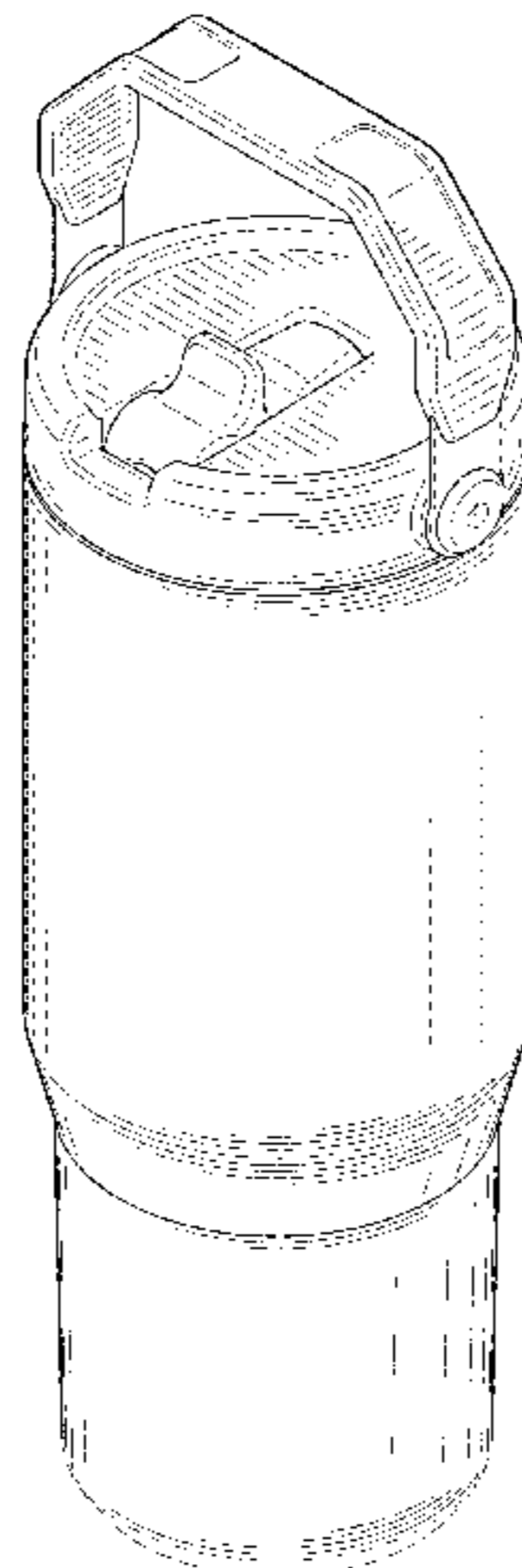
FIG. 14 is a front elevational view thereof.

FIG. 15 is a top plan view thereof; and,

FIG. 16 is a bottom plan view thereof.

The broken lines depict portions of the beverage container  
that form no part of the claimed design.

**1 Claim, 14 Drawing Sheets**



(58) **Field of Classification Search**

CPC ..... A45F 2003/205; A47J 41/0055; A47J  
41/0022; A47J 41/00; A47J 41/0077;  
A47J 41/0088; A47J 41/02; Y10S  
220/903

See application file for complete search history.

(56) **References Cited**

U.S. PATENT DOCUMENTS

6,852,954 B1 \* 2/2005 Liu ..... A47J 36/2472  
219/387  
D561,590 S \* 2/2008 Kingsley ..... D7/509  
D653,082 S \* 1/2012 George ..... D7/510  
D659,474 S \* 5/2012 Wahl ..... D7/510  
D660,082 S \* 5/2012 Wahl ..... D7/510  
D675,063 S \* 1/2013 Wahl ..... D7/510  
D705,012 S \* 5/2014 Lapsker ..... D7/523  
D707,492 S \* 6/2014 George ..... D7/510  
D734,096 S \* 7/2015 George ..... D7/523  
D734,989 S \* 7/2015 Lapsker ..... D7/523  
D770,853 S \* 11/2016 Gschwandtl ..... D7/532  
D799,268 S \* 10/2017 Gschwandtl ..... D7/532  
D808,722 S \* 1/2018 Hill ..... D7/510  
D808,733 S \* 1/2018 Spivey ..... D7/624.2  
D809,344 S \* 2/2018 Guthrie ..... D7/511  
D809,347 S \* 2/2018 Silsby ..... D7/608  
D817,093 S \* 5/2018 Silsby ..... D7/510  
D817,094 S \* 5/2018 Silsby ..... D7/510  
D821,135 S \* 6/2018 Rane ..... D7/391  
D821,151 S \* 6/2018 Lapsker ..... D7/511  
D828,097 S \* 9/2018 Silsby ..... D7/523  
D833,817 S \* 11/2018 Sletten ..... D7/532  
D857,462 S \* 8/2019 Silsby ..... D7/608  
D862,985 S \* 10/2019 Backs ..... D7/511  
D880,941 S \* 4/2020 Silsby ..... D7/510  
D895,367 S \* 9/2020 Hamilton ..... D7/523  
D895,370 S \* 9/2020 Hamilton ..... D7/536  
D896,574 S \* 9/2020 Wang ..... D7/392.1  
D897,760 S \* 10/2020 Feng ..... D7/392.1  
D903,403 S \* 12/2020 Ames ..... D7/392  
D903,421 S \* 12/2020 Wahl ..... D7/523  
D904,109 S \* 12/2020 Yao ..... D7/392.1  
D912,466 S \* 3/2021 Silsby ..... D7/510  
D914,454 S \* 3/2021 Silsby ..... D7/510  
D915,821 S \* 4/2021 Ludolph ..... D7/396.2  
D917,968 S \* 5/2021 Silsby ..... D7/510  
D917,970 S \* 5/2021 Bullock ..... D7/532  
D918,658 S \* 5/2021 Bullock ..... D7/532  
D923,410 S \* 6/2021 Hamilton ..... D7/523

D924,626 S \* 7/2021 Wang ..... D7/392.1  
D929,183 S \* 8/2021 Wahl ..... D7/511  
D929,184 S \* 8/2021 Wahl ..... D7/511  
D930,427 S \* 9/2021 Ayres ..... D7/392.1  
D935,265 S \* 11/2021 Chen ..... D7/392.1  
D935,836 S \* 11/2021 Wang ..... D7/392.1  
D935,837 S \* 11/2021 Wang ..... D7/392.1  
D938,778 S \* 12/2021 Ge ..... D7/392.1  
D938,784 S \* 12/2021 Silsby ..... D7/608  
D939,280 S \* 12/2021 Vierck ..... D7/510  
D939,887 S \* 1/2022 Hao ..... D7/392.1  
D939,888 S \* 1/2022 Wang ..... D7/392.1  
D940,501 S \* 1/2022 Burga ..... D7/392.1  
D941,091 S \* 1/2022 Delgado Carmona ..... D7/510  
D943,354 S \* 2/2022 Powell ..... D7/532  
D944,601 S \* 3/2022 Ballard ..... D7/630  
2015/0173539 A1 \* 6/2015 Mason ..... B65D 47/063  
220/707  
2016/0318693 A1 \* 11/2016 Hein ..... B65D 81/3841  
2017/0273484 A1 \* 9/2017 Spivey ..... B65D 47/0833  
2021/0002041 A1 \* 1/2021 Starner ..... B65D 47/32

FOREIGN PATENT DOCUMENTS

CN 306668283 \* 7/2021  
GB 6094173 \* 7/2020  
GB 6152869 \* 8/2021  
JP D1642982 \* 10/2019  
KR 301115395.0000 \* 6/2021  
KR 3011144250001 \* 6/2021

OTHER PUBLICATIONS

Thermos [online] URL: <https://www.walgreens.com/store/c/thermos-kids-hard-plastic-hydration-bottle-w/-straw-and-silicone-sleeve-assortment-12-oz./ID=300410776-product> (site visited: Jan. 25, 2022) (Year: 2022).\*

Wellness [online] URL: <https://www.sears.com/wellness-insulated-double-wall-water-bottles-w-handle/p-A048354172> (site visited: Jan. 25, 2022) (Year: 2022).\*

Kula [online] URL: <https://www.amazon.ca/gp/product/B01N75RB1K> (site visited: Mar. 31, 2022) (Year: 2016).\*

Docooler [online] URL: <https://www.amazon.com/Docooler-Portable-Ultralight-Camping-Outdoor/dp/B07GXVD9VV> (site visited: Mar. 31, 2022) (Year: 2018).\*

Stanley [online] URL: <https://www.amazon.com/Stanley-Charcoal-Classic-Straw-Tumbler/dp/B08VPQZKWK> (site visited: Mar. 31, 2022) (Year: 2021).\*

\* cited by examiner

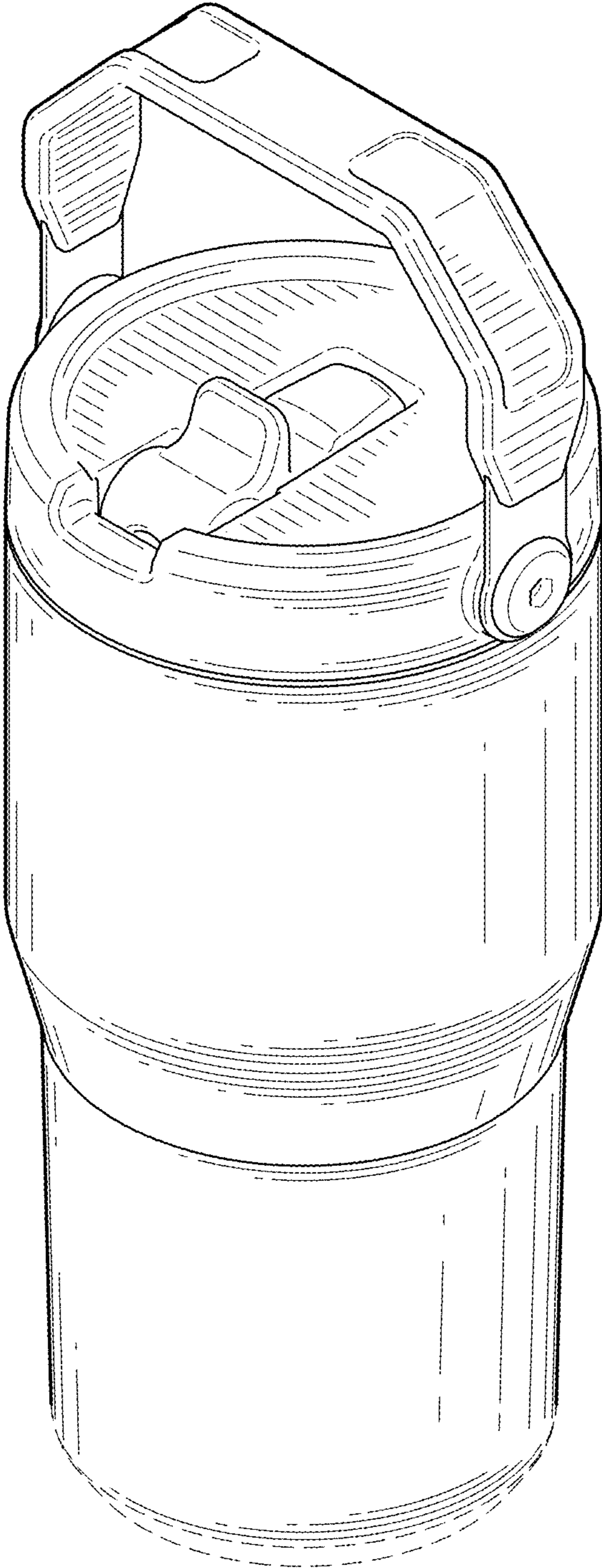


FIG. 1

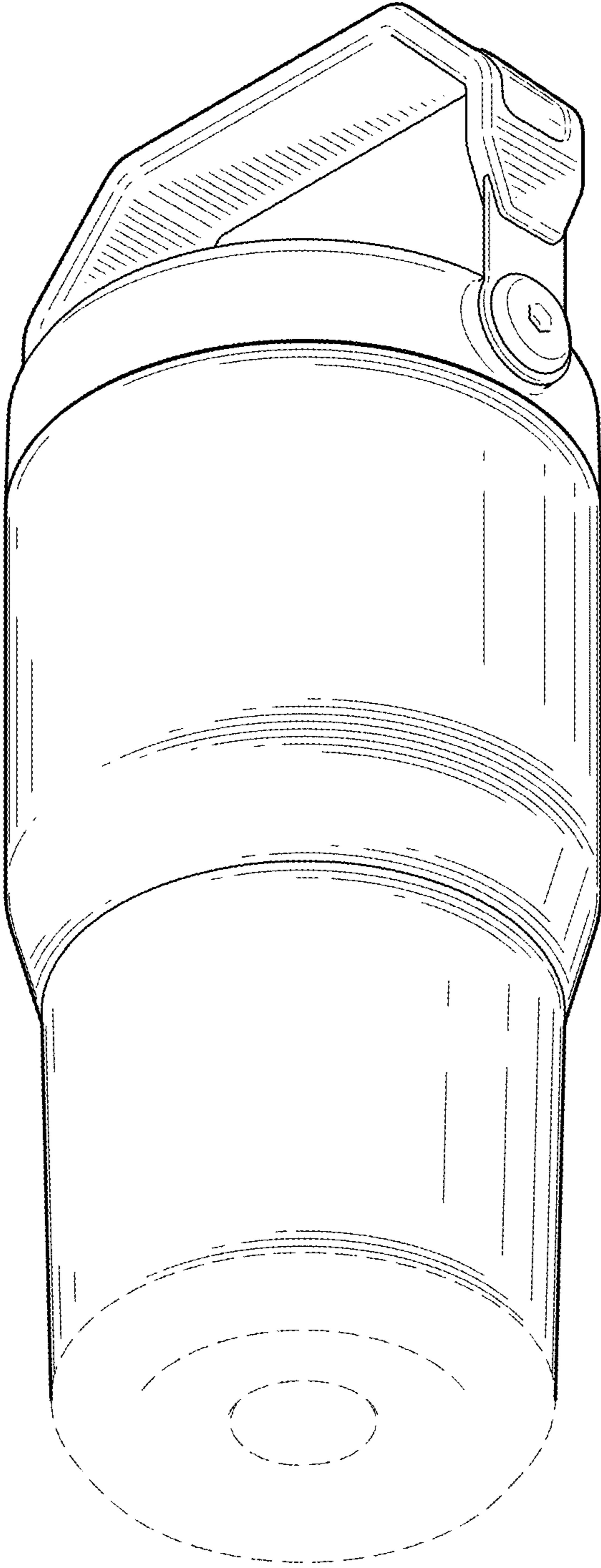


FIG. 2

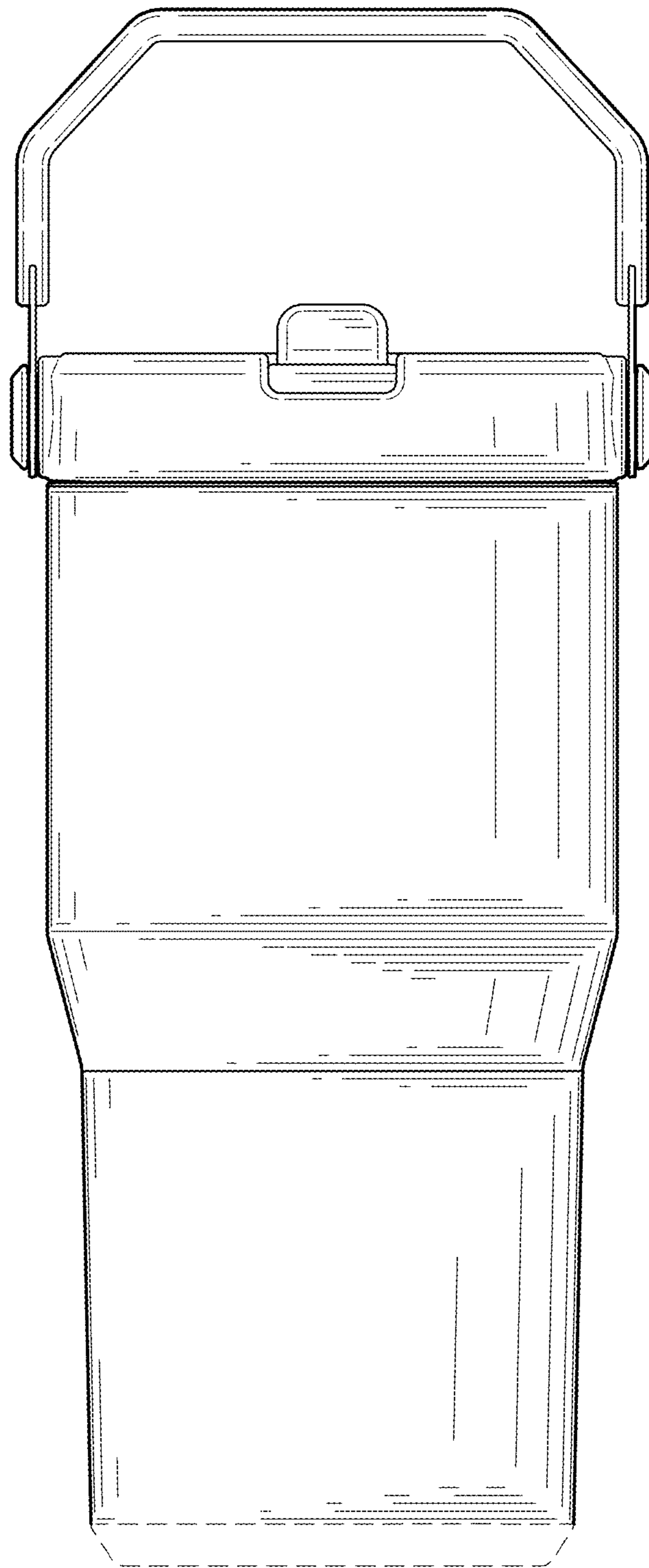


FIG. 3

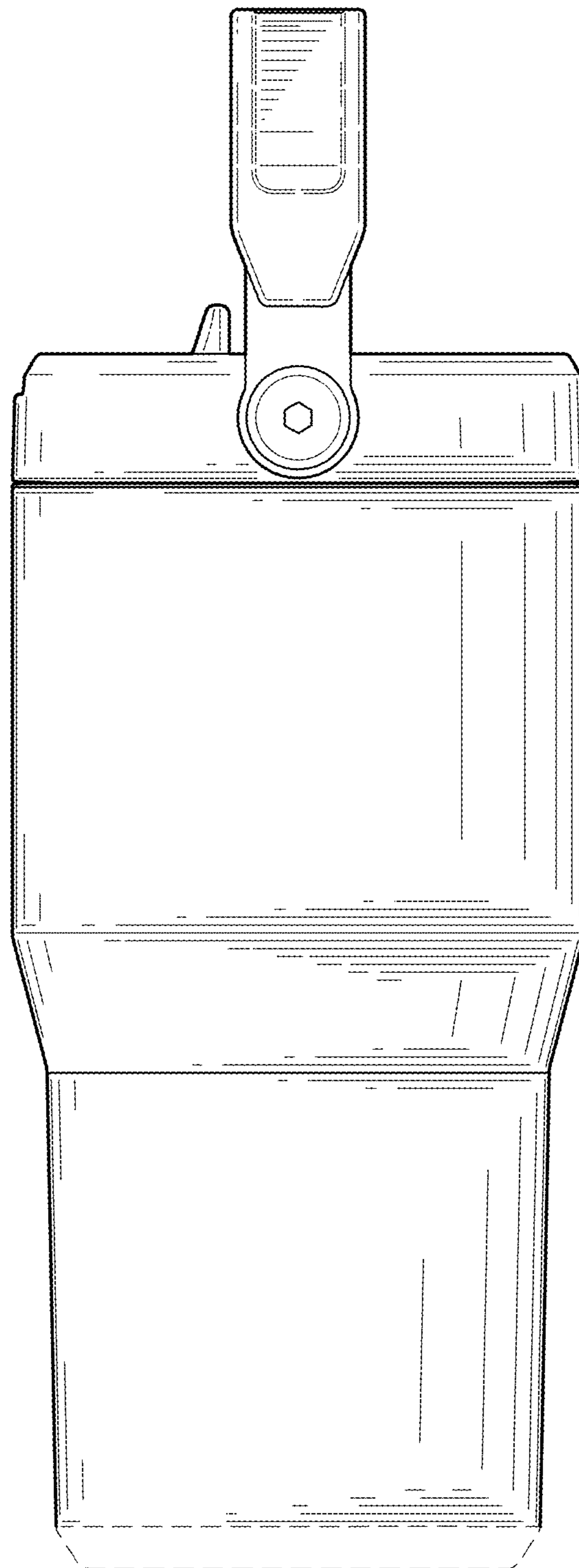


FIG. 4

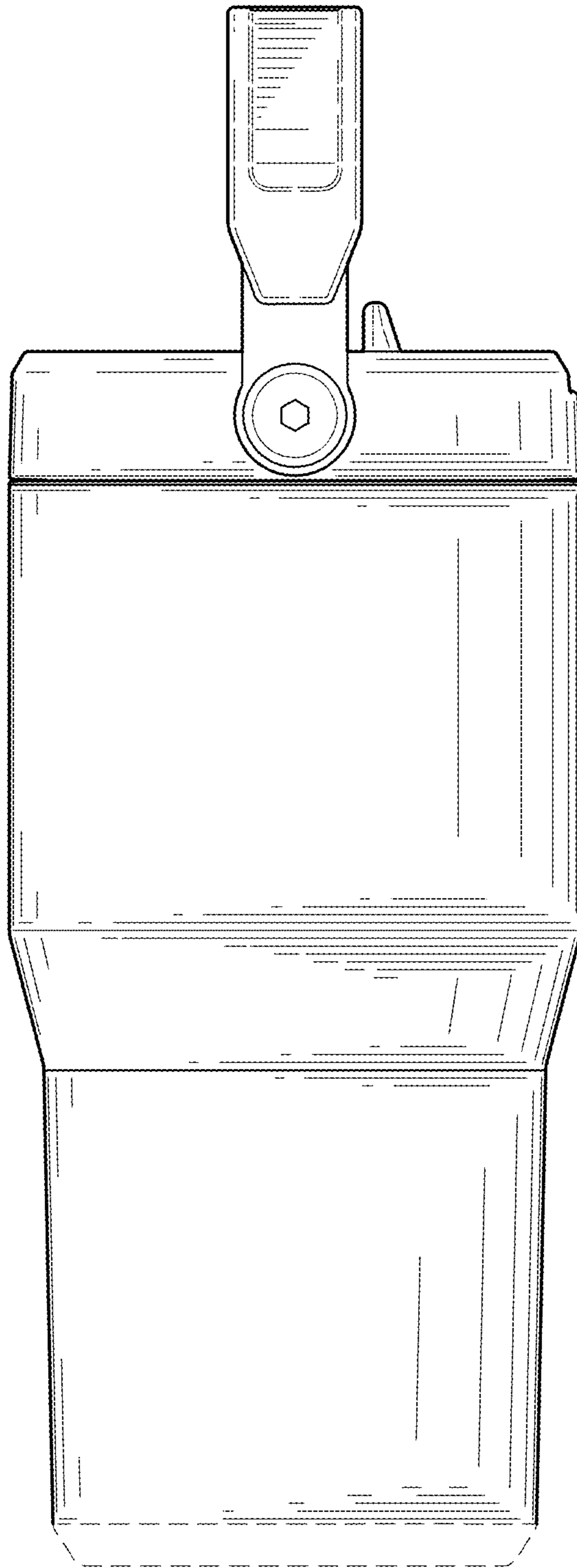


FIG. 5

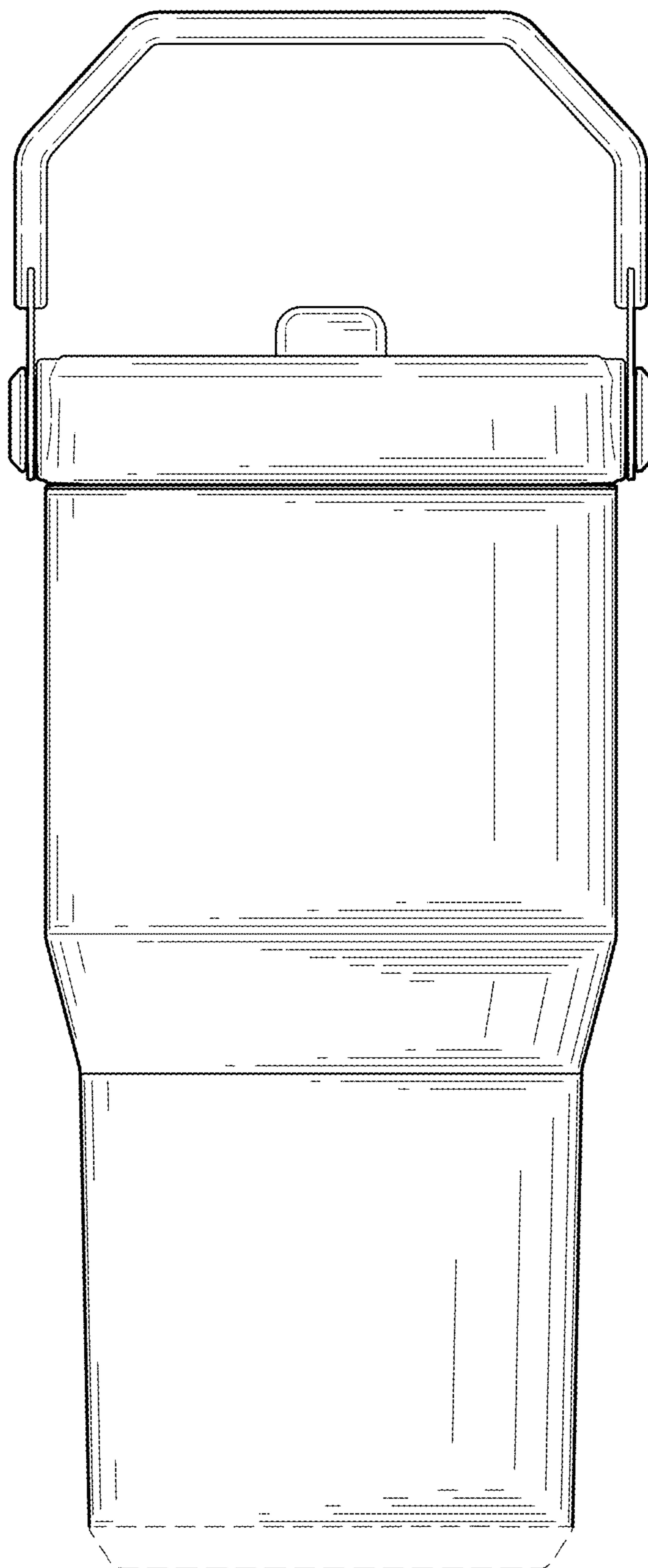


FIG. 6



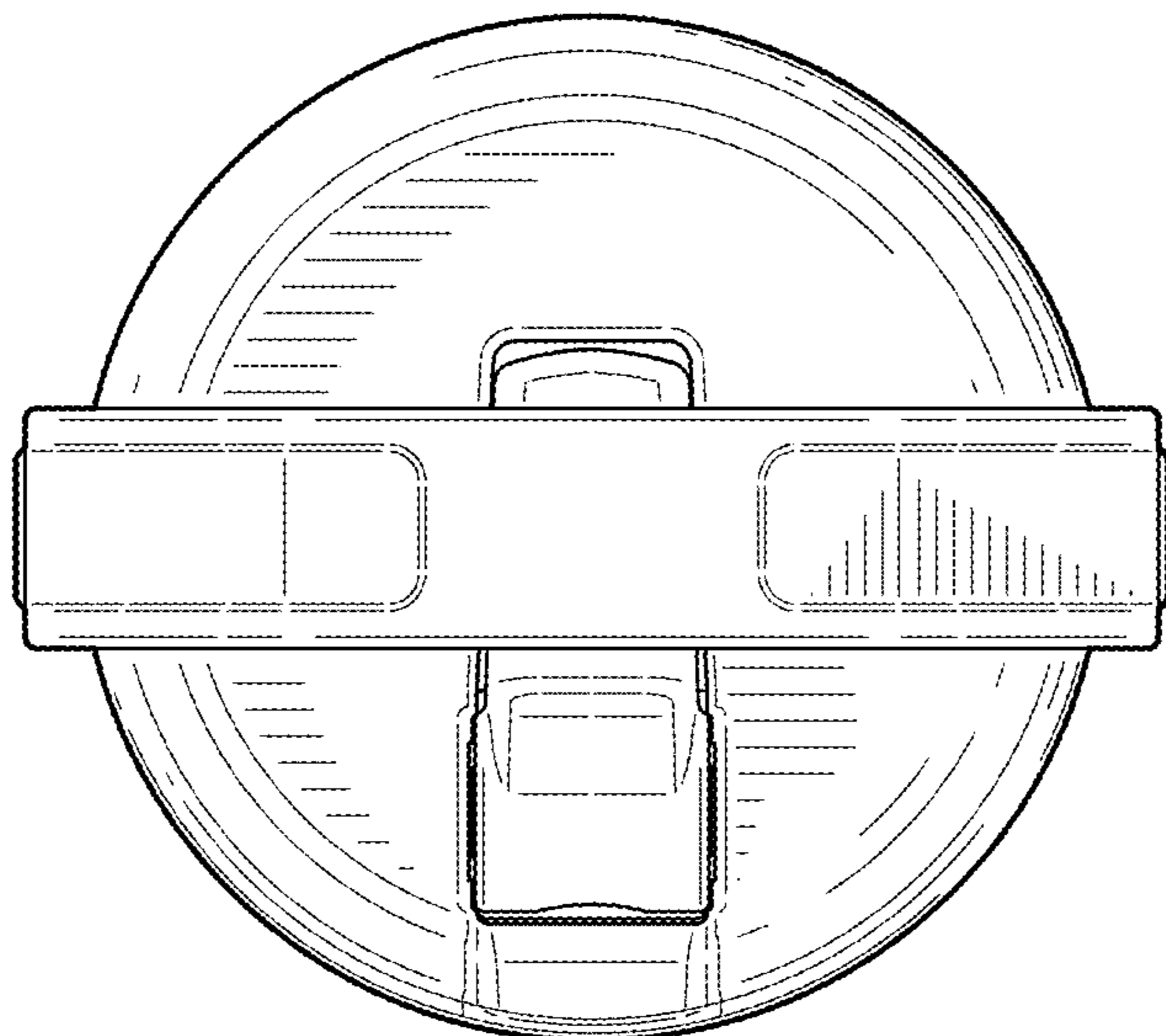


FIG. 7

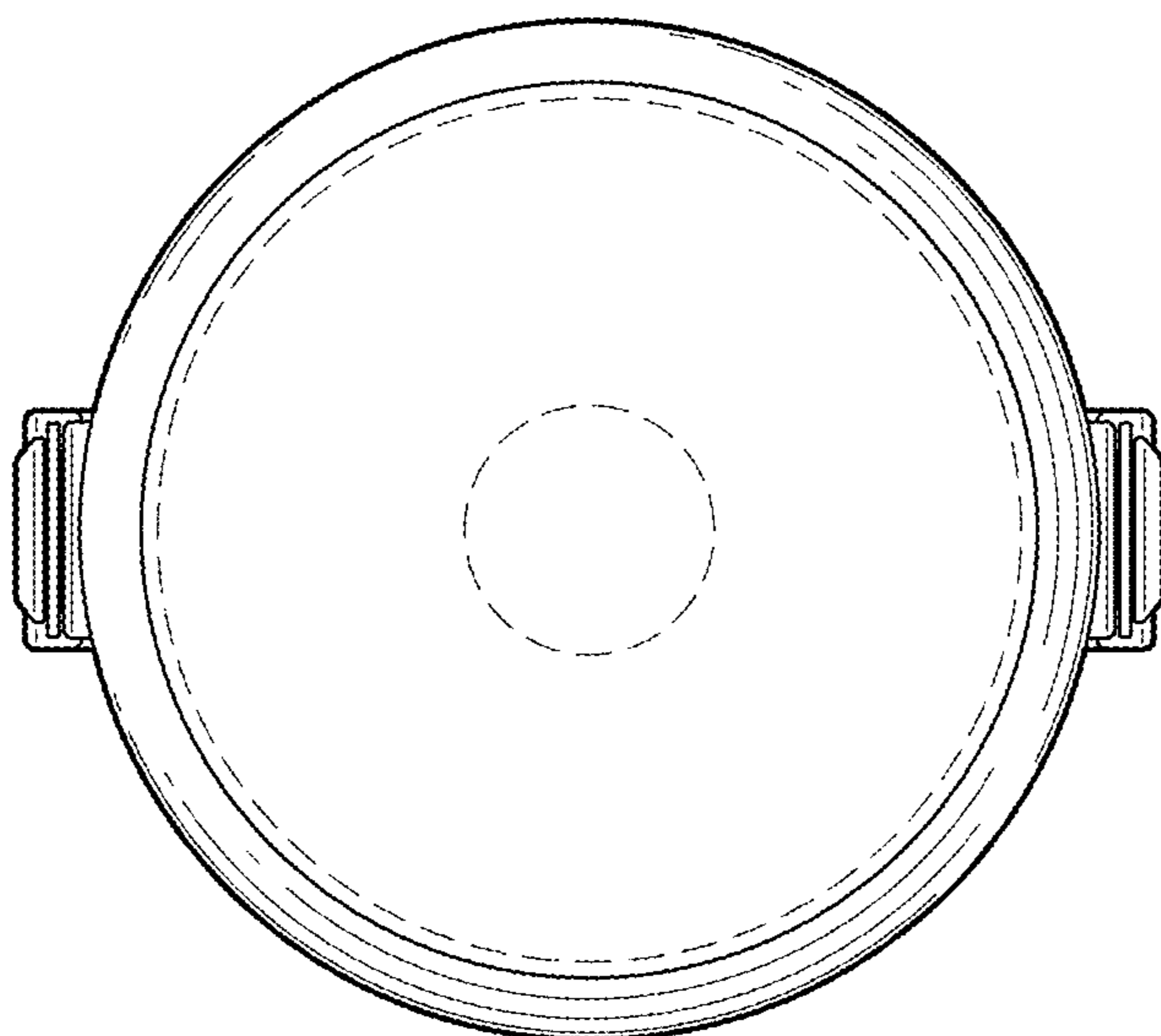


FIG. 8

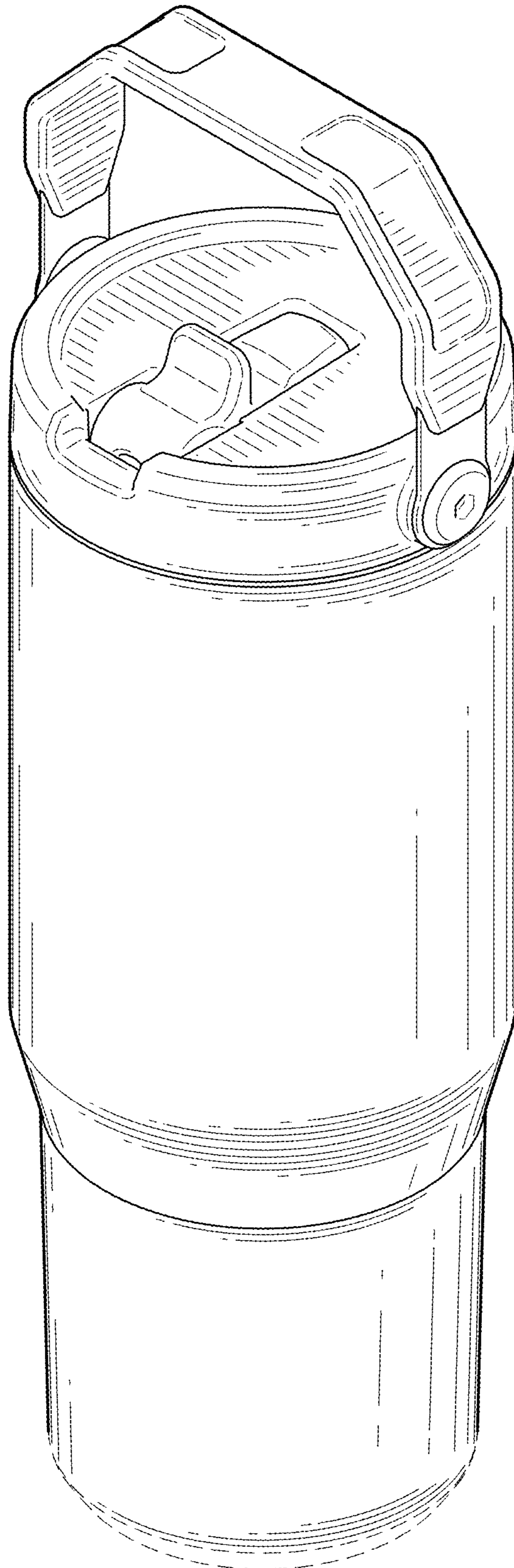


FIG. 9

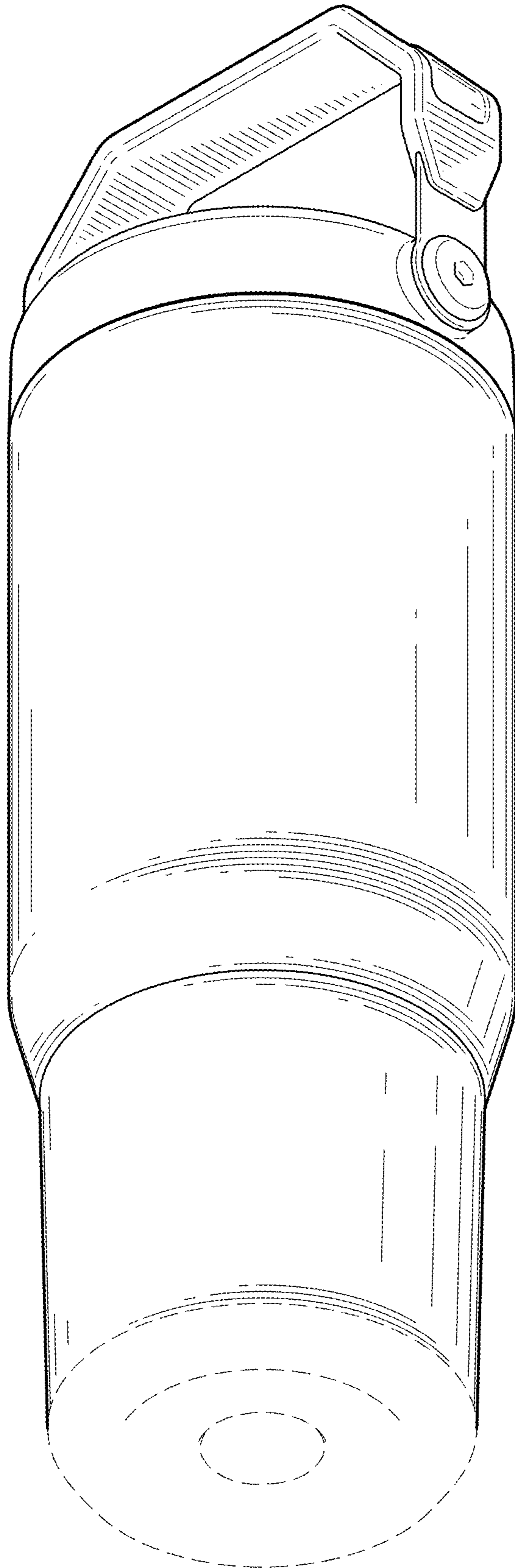


FIG. 10

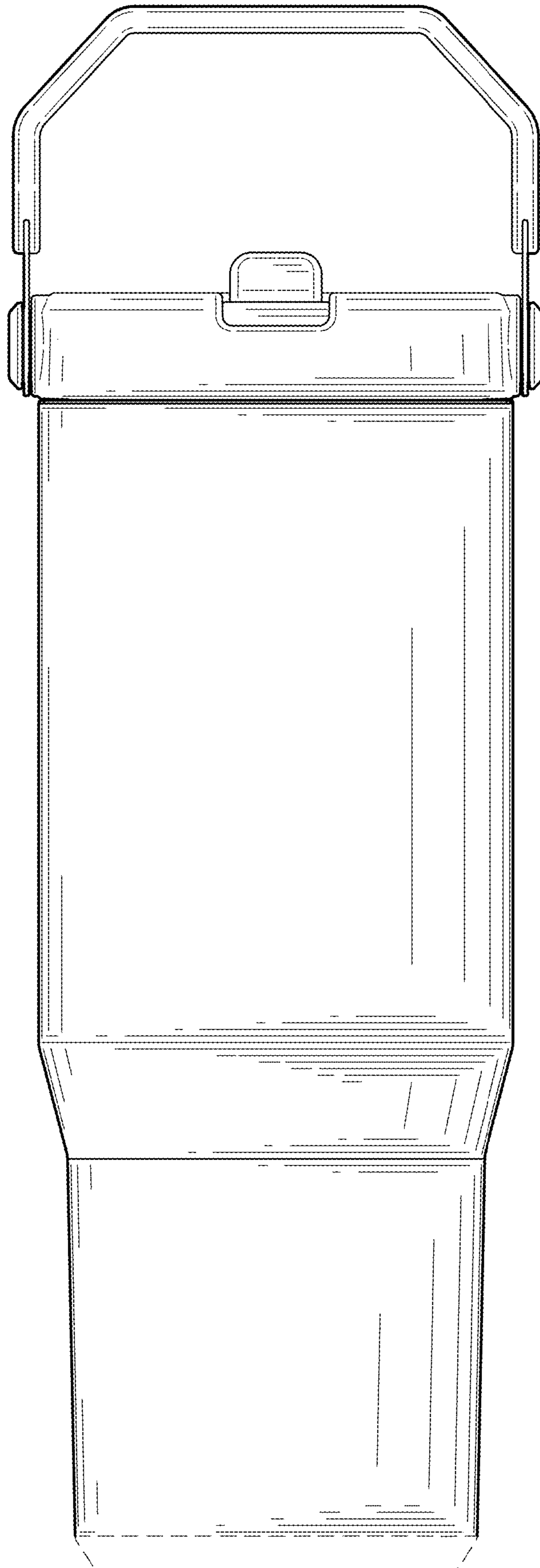


FIG. 11

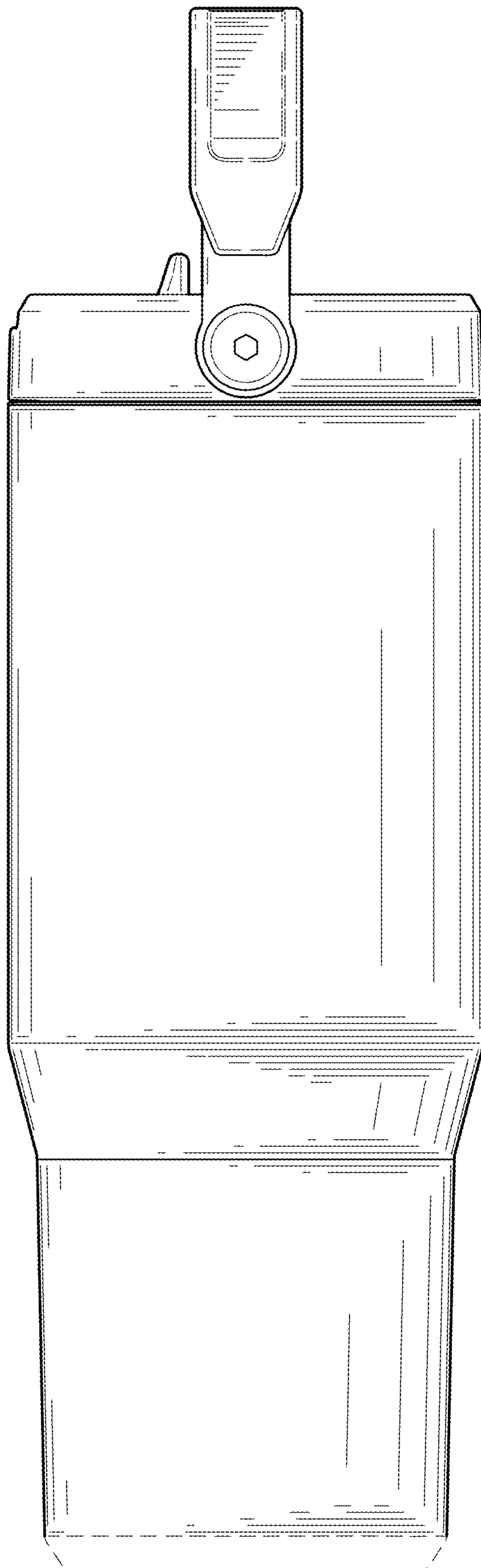


FIG. 12

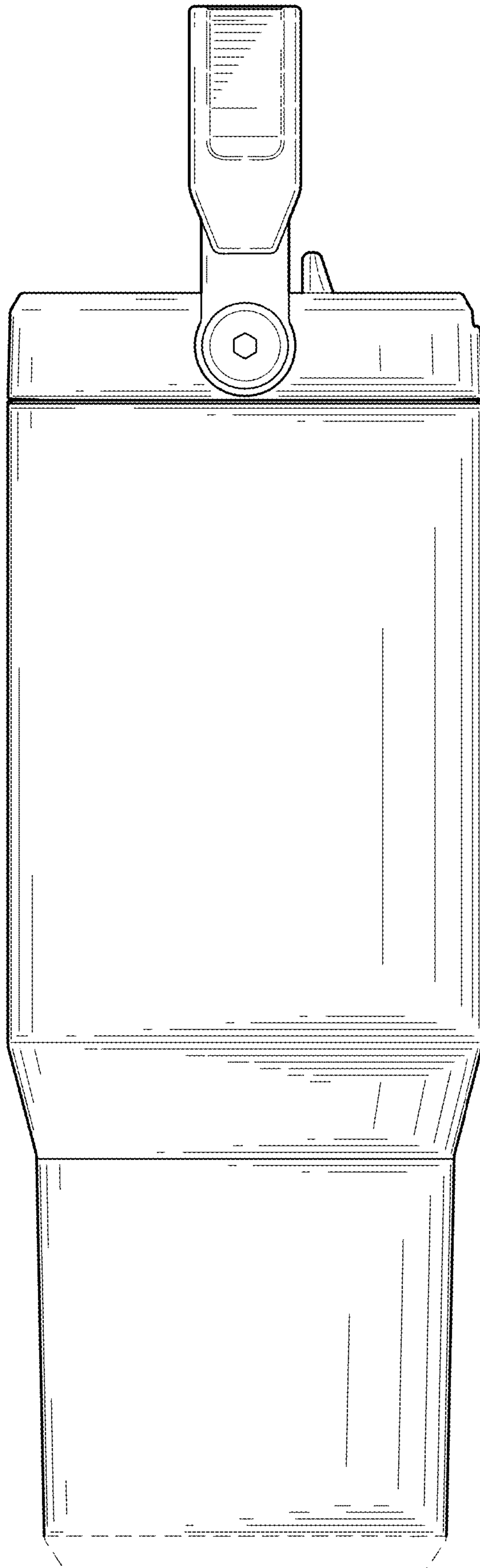


FIG. 13

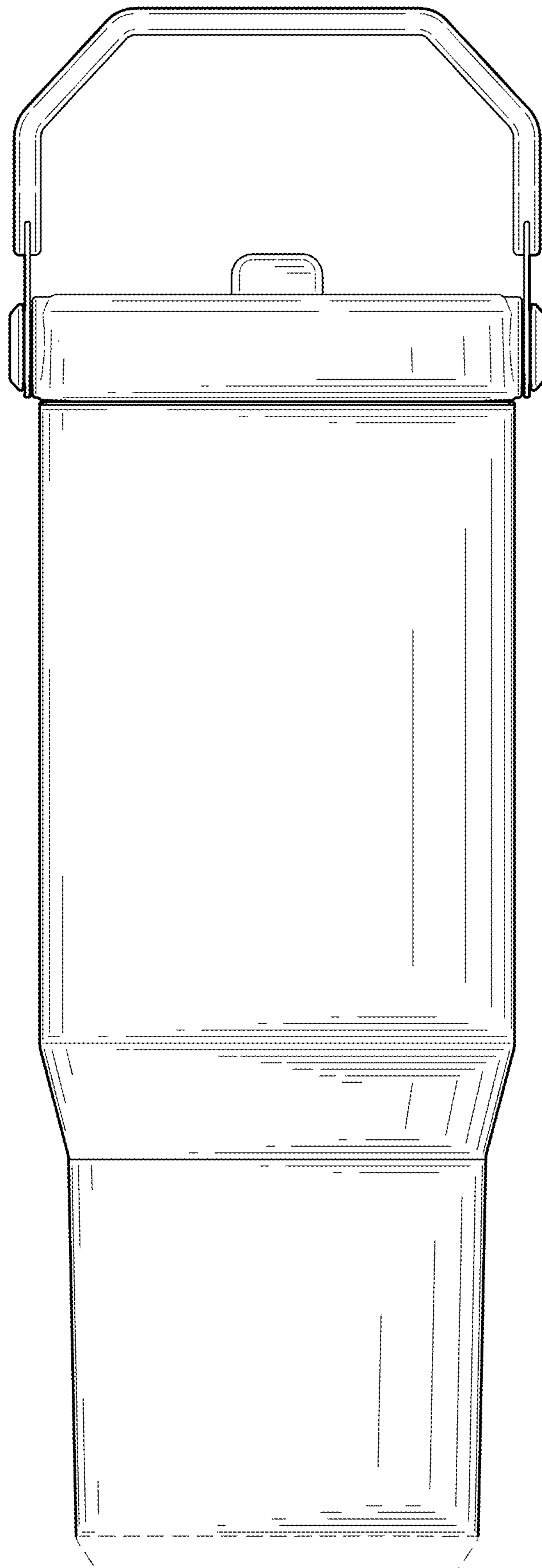


FIG. 14

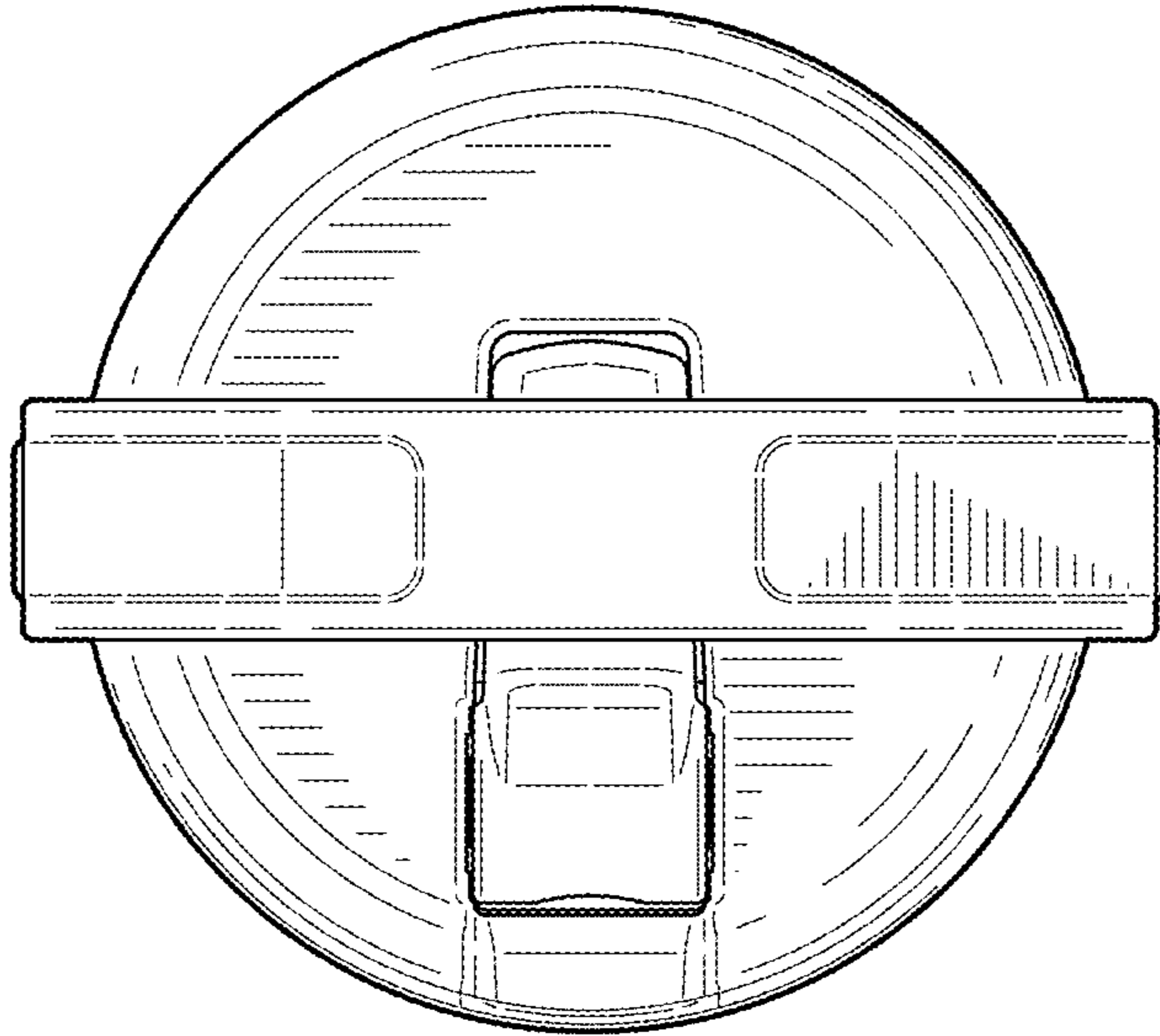


FIG. 15

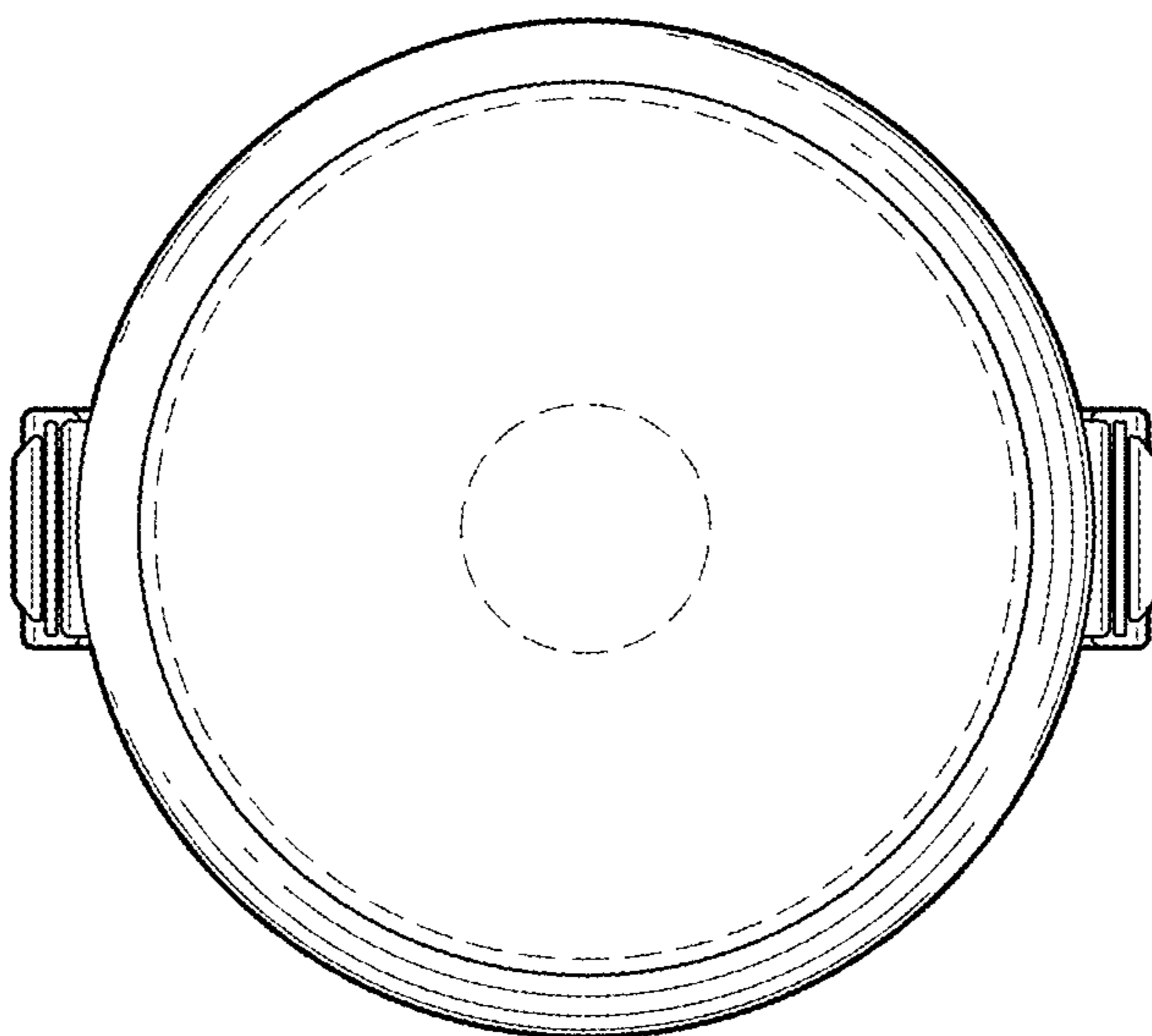


FIG. 16