



US00D955172S

(12) **United States Design Patent**
Haskins

(10) **Patent No.:** **US D955,172 S**
(45) **Date of Patent:** **** Jun. 21, 2022**

- (54) **TUMBLER**
- (71) Applicant: **Real Value LLC**, Moore, OK (US)
- (72) Inventor: **Nathaniel Haskins**, Redding, CA (US)
- (73) Assignee: **Real Value LLC**, Moore, OK (US)
- (**) Term: **15 Years**
- (21) Appl. No.: **29/808,969**
- (22) Filed: **Sep. 24, 2021**

Related U.S. Application Data

- (63) Continuation of application No. 29/771,669, filed on Feb. 24, 2021, now Pat. No. Des. 934,028, which is a continuation of application No. 29/701,013, filed on Aug. 7, 2019, now Pat. No. Des. 914,455.

- (51) **LOC (13) Cl.** **09-01**
- (52) **U.S. Cl.**

USPC **D7/510**; D9/500; D9/516

- (58) **Field of Classification Search**

USPC D9/414, 418, 422, 423, 424, 428, 516,
D9/531, 540, 548, 549, 721, 500-504,
D9/558, 573-575, 688, 689, 690, 691,
D9/715; D7/507-511, 523, 608; D6/677;
D3/203.1, 203.5

CPC B65D 25/54; B65D 25/106; B65D 25/22;
B65D 51/24; B65D 51/245; B65D
1/0246; B65D 1/0207; B65D 2543/00046;
B65D 2543/00092; B65D 81/3869; A47F
7/286; Y10S 220/906; B21D 51/2615;
A47G 19/2272; A47G 19/2288; A47G
19/2205

See application file for complete search history.

- (56) **References Cited**

U.S. PATENT DOCUMENTS

- D157,491 S * 2/1950 Heintze D7/531
- D177,559 S * 5/1956 Emmert D7/531

- RE37,773 E * 7/2002 Trombley A47G 19/2227
D7/511
- D463,715 S * 10/2002 Dretzka D7/523
- D484,365 S * 12/2003 Wyche D7/500
- D490,274 S * 5/2004 Irvine D7/523
- D550,033 S * 9/2007 Bodum D7/509
- D550,034 S * 9/2007 Bodum D7/523
- D551,502 S * 9/2007 Bodum D7/523
- D553,909 S * 10/2007 Bodum D7/523
- D559,493 S * 1/2008 Dretzka D19/85
- D560,512 S * 1/2008 Safar D9/715
- D599,169 S * 9/2009 Stalions D7/510
- D599,208 S * 9/2009 Kissinger D9/516
- D618,964 S * 7/2010 Eisenhardt D7/523
- D620,357 S 7/2010 Jewett et al.
- D648,177 S 11/2011 Eyal
- D672,238 S 12/2012 Aziz et al.
- D672,609 S 12/2012 Aziz et al.
- D700,012 S 2/2014 Hurley et al.

(Continued)

Primary Examiner — Brett Miller

Assistant Examiner — Rani J Abdallah

(74) *Attorney, Agent, or Firm* — Hall Estill Law Firm

- (57) **CLAIM**

The ornamental design for a tumbler, as shown and described.

DESCRIPTION

FIG. 1 is a top, perspective view showing a first embodiment of my new design for a tumbler.

FIG. 2 is a bottom, perspective view of FIG. 1.

FIG. 3 is a front side elevation view of FIG. 1.

FIG. 4 is a rear side elevation of view of FIG. 1.

FIG. 5 is a left side elevation view of FIG. 1.

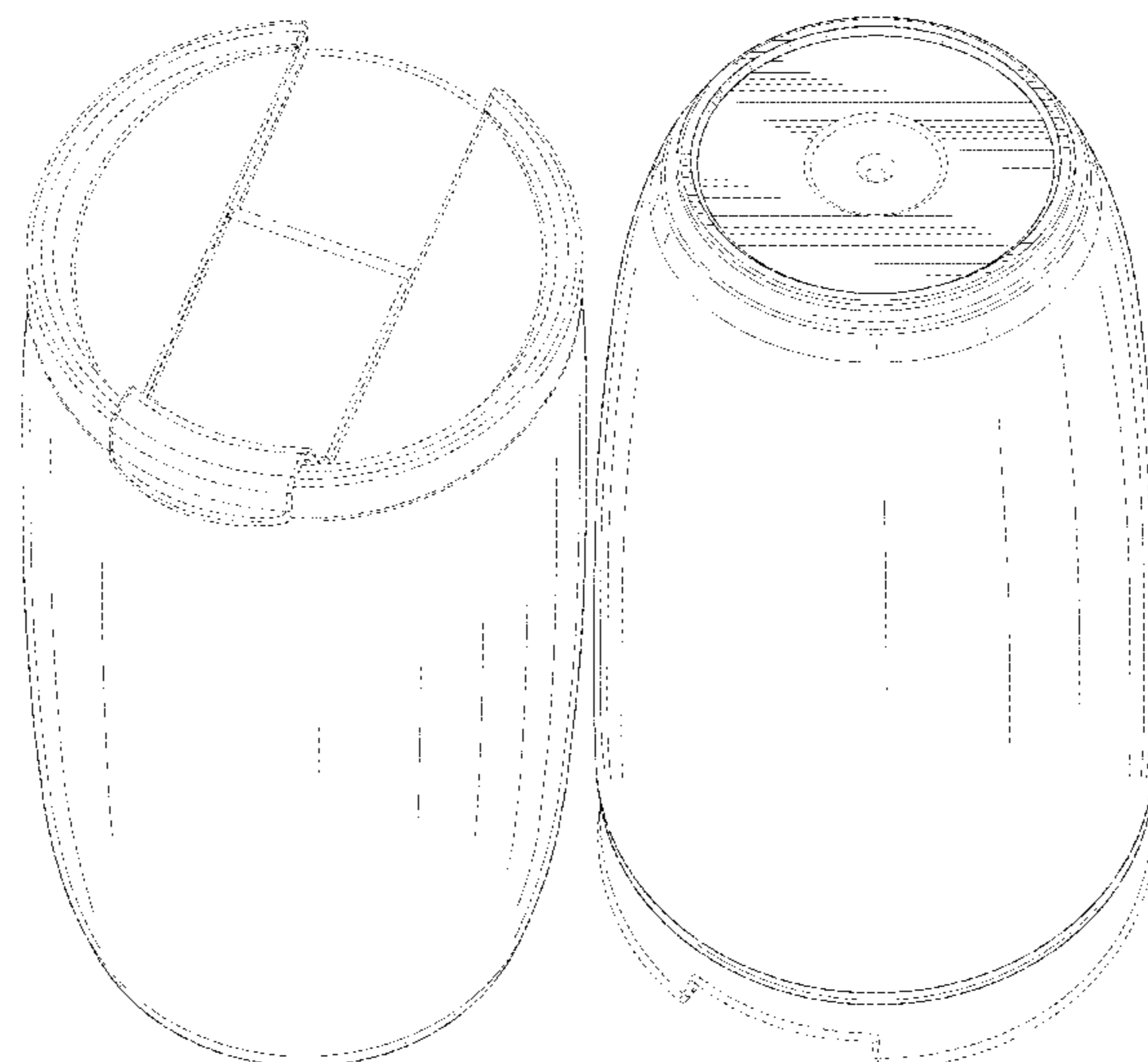
FIG. 6 is right side elevation view of FIG. 1.

FIG. 7 is a top view of FIG. 1; and,

FIG. 8 is a bottom view of FIG. 1.

Broken lines shown are for illustrative purposes and form no part of the claimed design.

1 Claim, 8 Drawing Sheets



(56)

References Cited

U.S. PATENT DOCUMENTS

D721,540 S * 1/2015 Grcic D7/511
 D723,333 S 3/2015 Lin
 D724,385 S 3/2015 Hurley et al.
 D727,684 S * 4/2015 Forsyth D7/510
 D736,563 S * 8/2015 George D7/510
 D742,176 S * 11/2015 Thun D7/523
 D743,208 S * 11/2015 Thun D7/523
 D744,283 S * 12/2015 Thun D7/523
 D787,935 S 5/2017 Kaiser
 D790,920 S 7/2017 Goodwin et al.
 D791,579 S 7/2017 Goodwin et al.
 D806,479 S * 1/2018 Perrulli A47G 19/2205
 D808,220 S 1/2018 Burns et al.
 D809,920 S 2/2018 Maple
 D810,504 S 2/2018 Goodwin et al.
 D811,818 S 3/2018 Wu
 D812,428 S 3/2018 Wu
 D815,908 S 4/2018 Kauss et al.
 D817,093 S * 5/2018 Silsby D7/510
 D817,094 S * 5/2018 Silsby D7/510
 D820,044 S * 6/2018 Jenkins D7/510
 D820,045 S * 6/2018 Harrington, III D7/511
 D822,439 S 7/2018 Spivey et al.
 10,034,580 B2 * 7/2018 Seiders B65D 81/3869
 D878,873 S * 3/2020 Johnson D7/608

D898,519 S * 10/2020 Renz B65D 47/32
 D900,551 S * 11/2020 Chuang D7/523
 D914,455 S * 3/2021 Haskins D7/510
 11,006,772 B1 * 5/2021 Allen A47G 19/2205
 D931,051 S * 9/2021 Ames D7/510
 11,129,499 B2 * 9/2021 Tolman B65D 25/2817
 D934,028 S * 10/2021 Haskins D7/510
 11,203,481 B2 * 12/2021 Ding B65D 3/22
 11,213,146 B1 * 1/2022 Sletten B65D 47/261
 11,224,301 B2 * 1/2022 Delgado Carmona
 B65D 51/248
 11,225,369 B2 * 1/2022 Welle A47G 23/0216
 2005/0045643 A1 * 3/2005 Ghanem A47G 19/2227
 2010/0206874 A1 * 8/2010 Masurier A47G 19/2272
 2010/0288782 A1 * 11/2010 Lin A47G 19/22
 2020/0317388 A1 * 10/2020 Robertson B65D 3/22
 2020/0339314 A1 * 10/2020 Meyers A47G 19/2272
 2020/0361666 A1 * 11/2020 Kim B65D 43/0212
 2020/0383505 A1 * 12/2020 Rees A47G 19/2272
 2021/0053727 A1 * 2/2021 Betzen B65D 43/022
 2021/0120987 A1 * 4/2021 Cheng A47G 19/2266
 2021/0206539 A1 * 7/2021 Lovern, IV A47G 19/2205
 2021/0269216 A1 * 9/2021 Mavrianos B65D 51/28
 2021/0289966 A1 * 9/2021 Chuang C09D 191/06
 2021/0354891 A1 * 11/2021 Netter B65D 47/08
 2021/0361098 A1 * 11/2021 Zhou A47G 19/2272

* cited by examiner

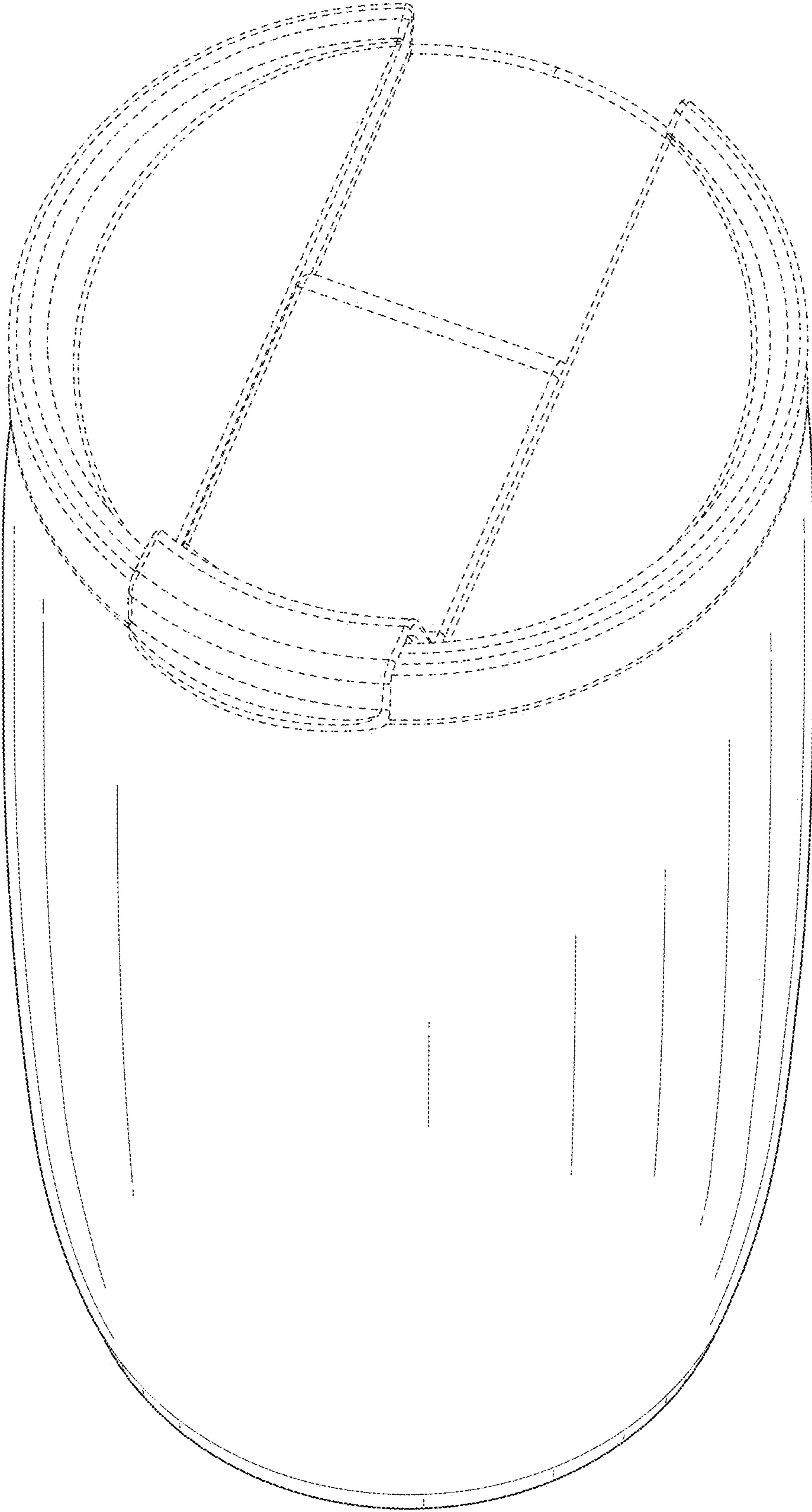


FIG. 1

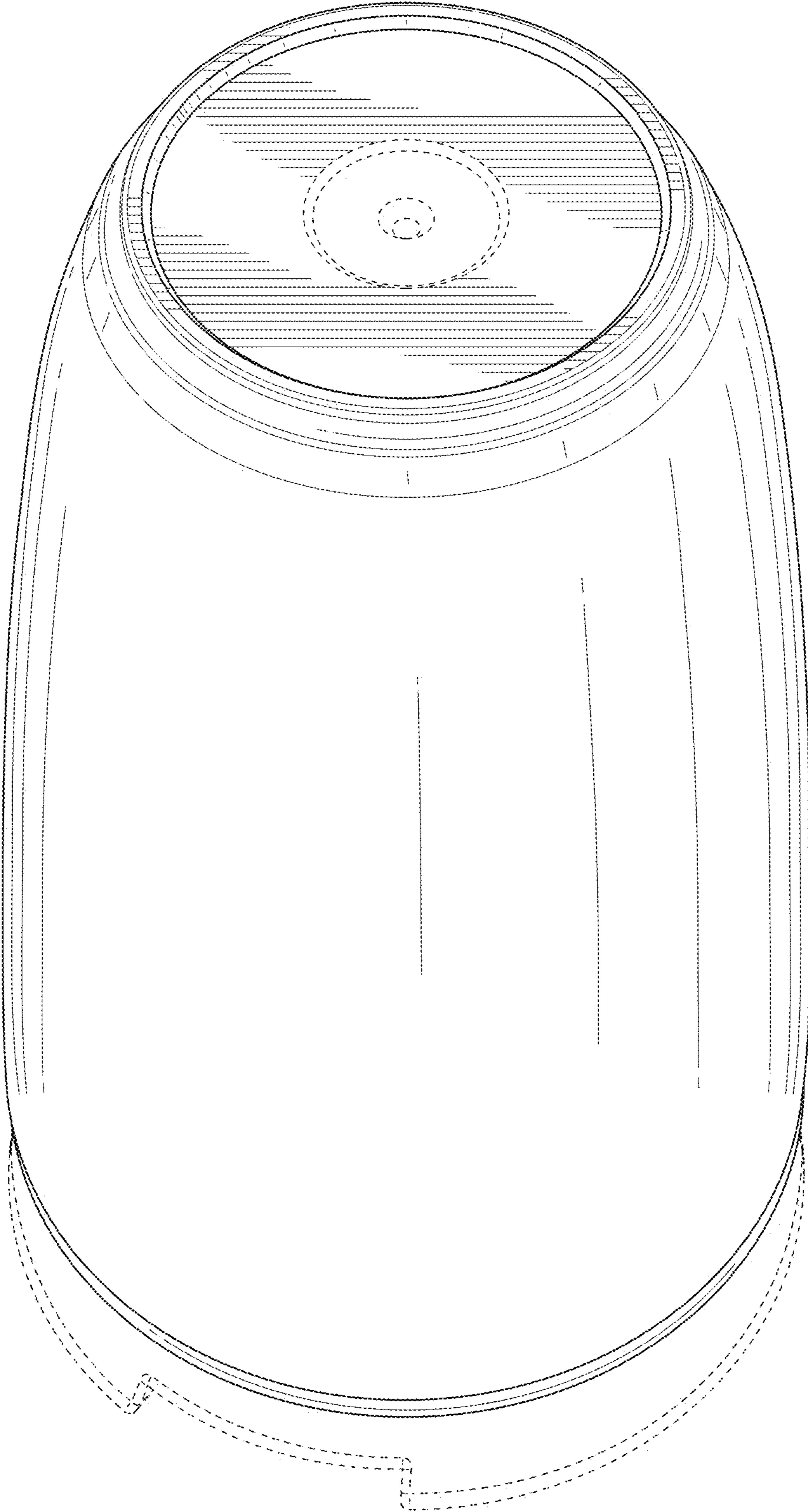


FIG. 2

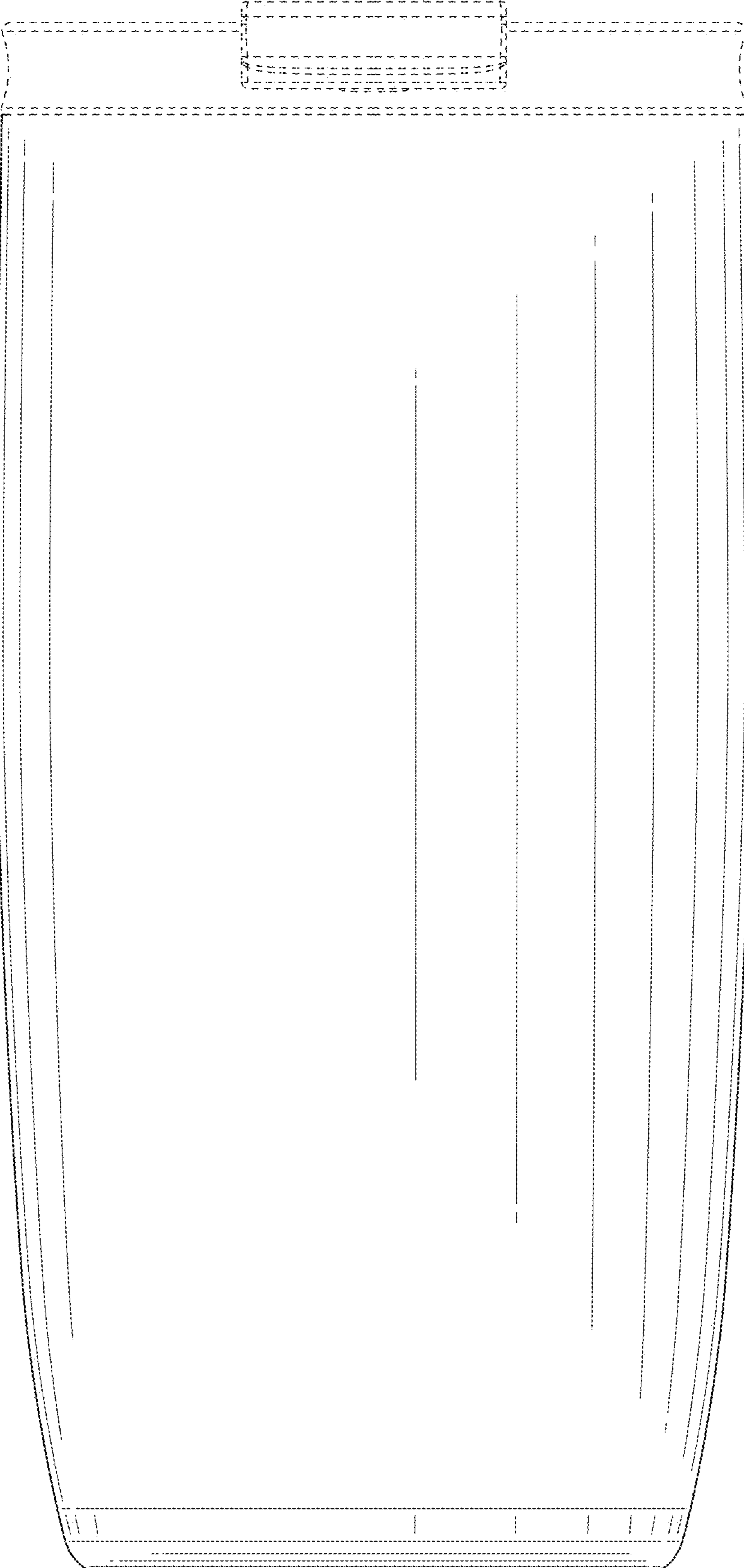


FIG. 3

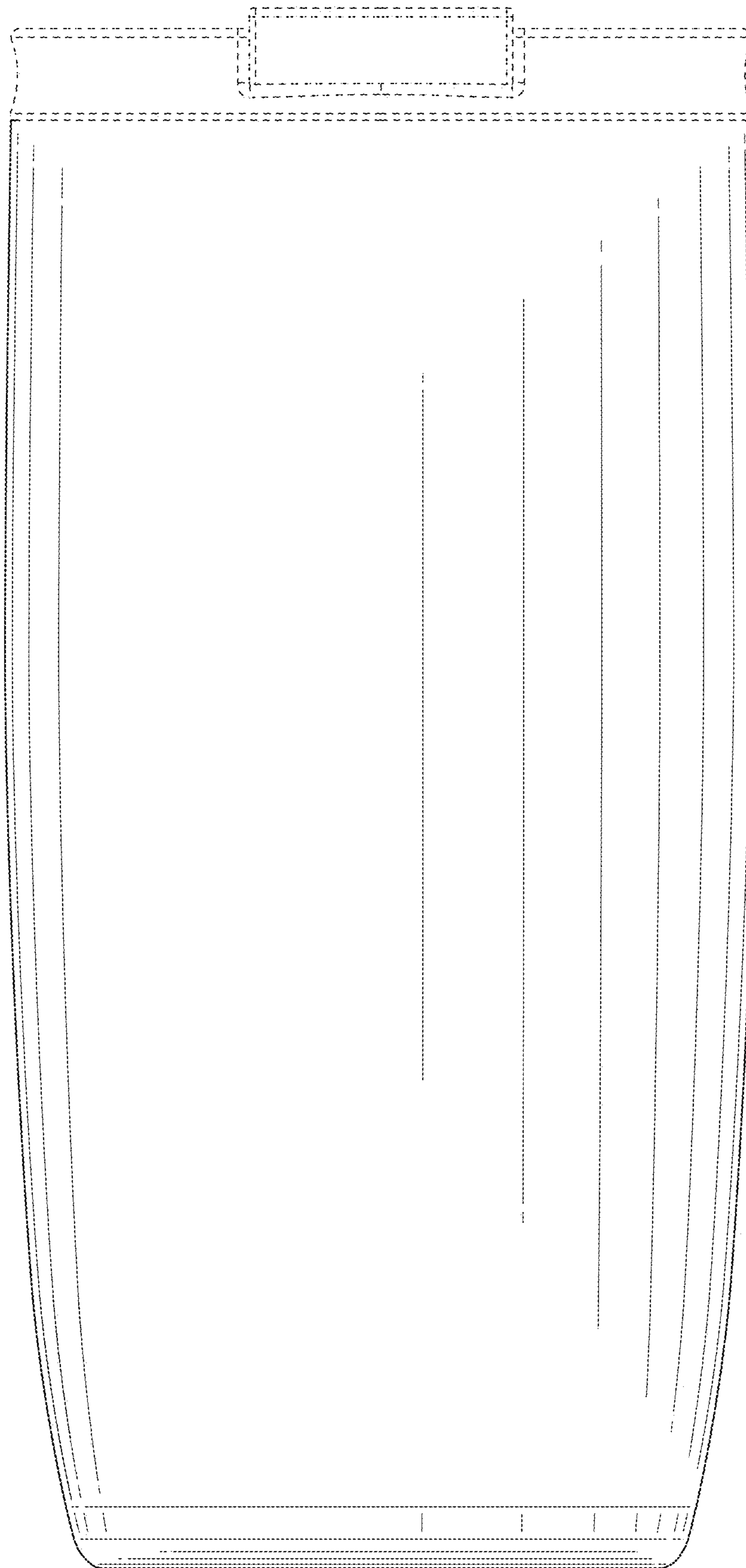


FIG. 4

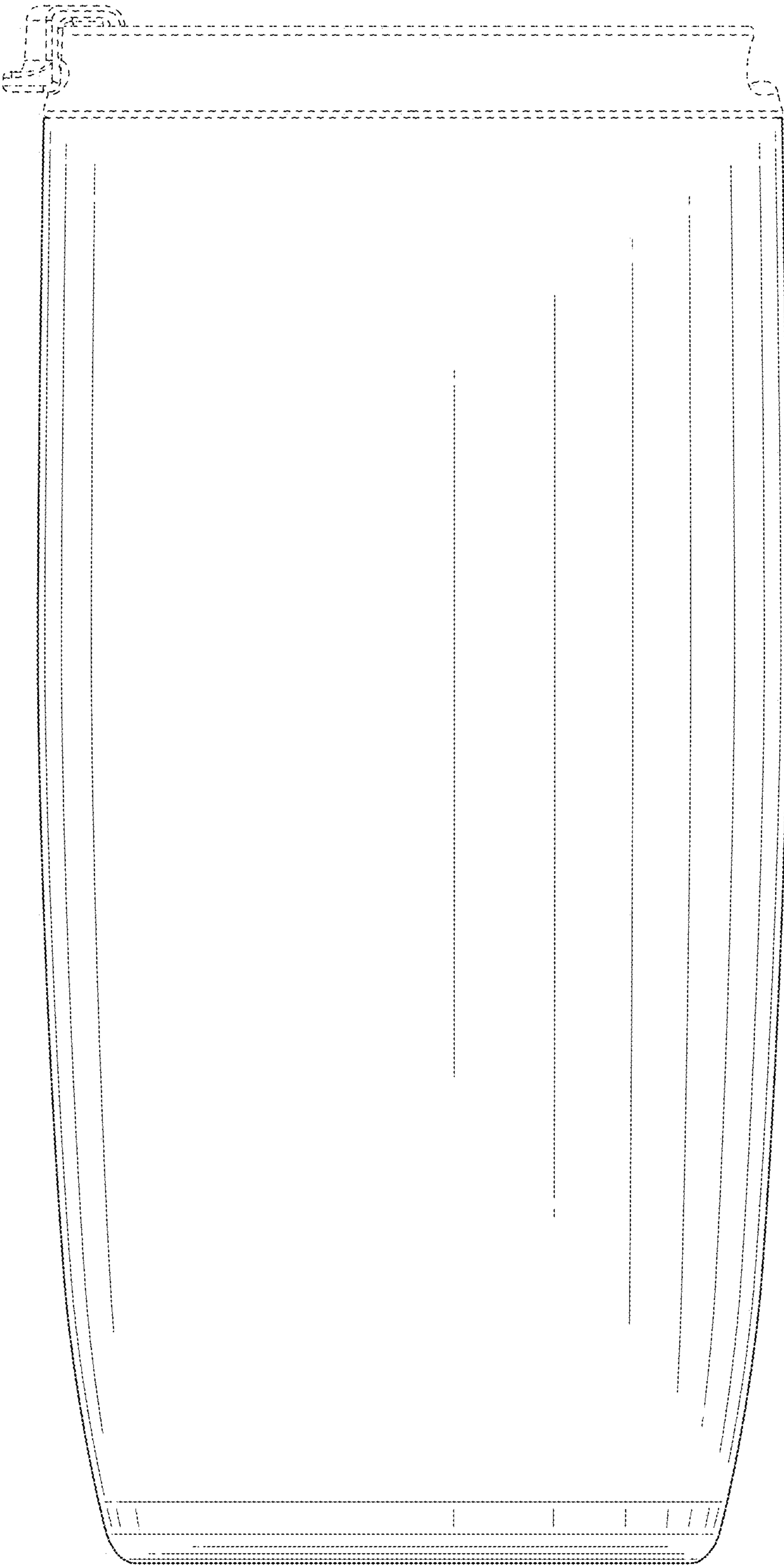


FIG. 5

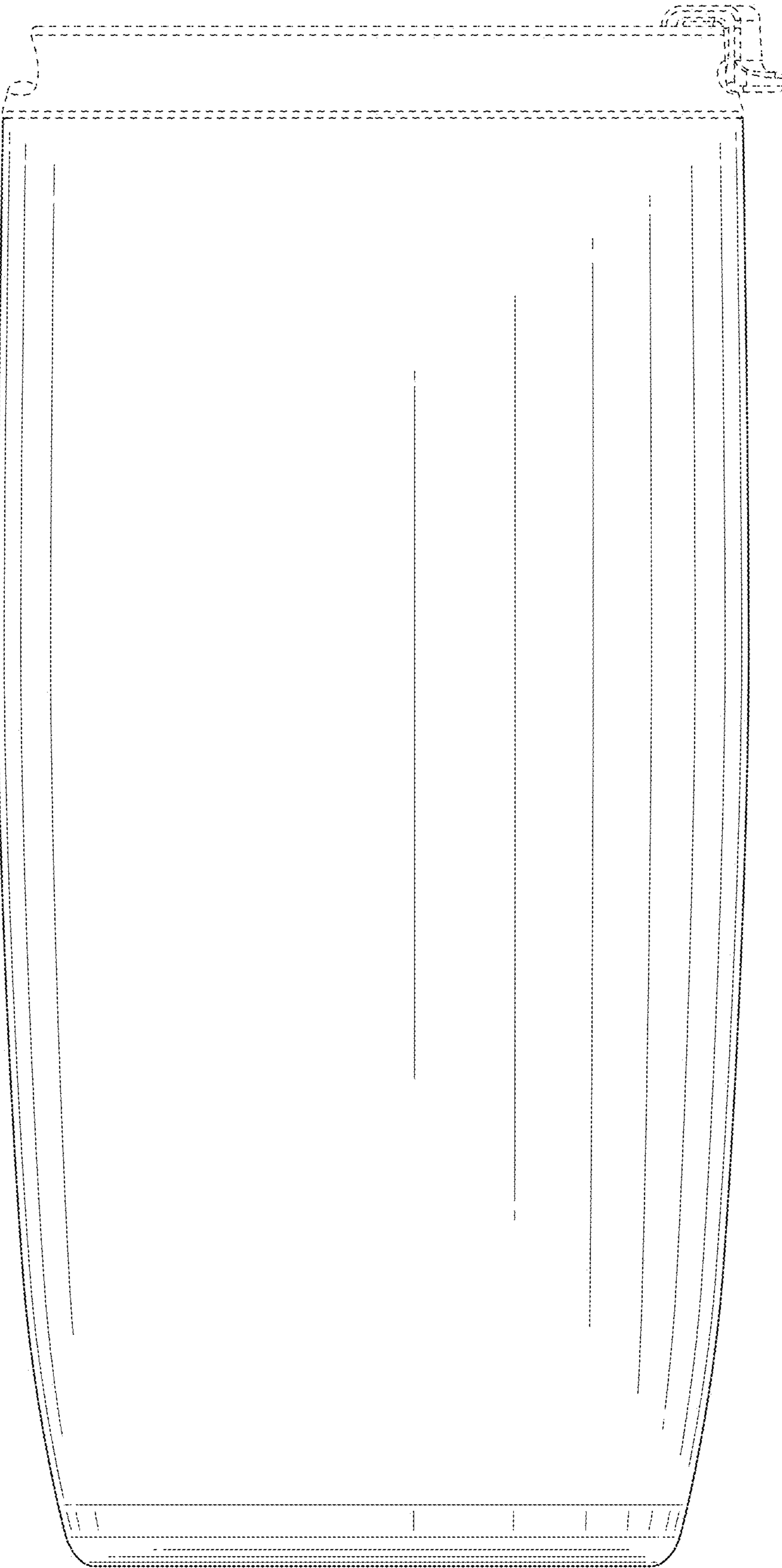


FIG. 6

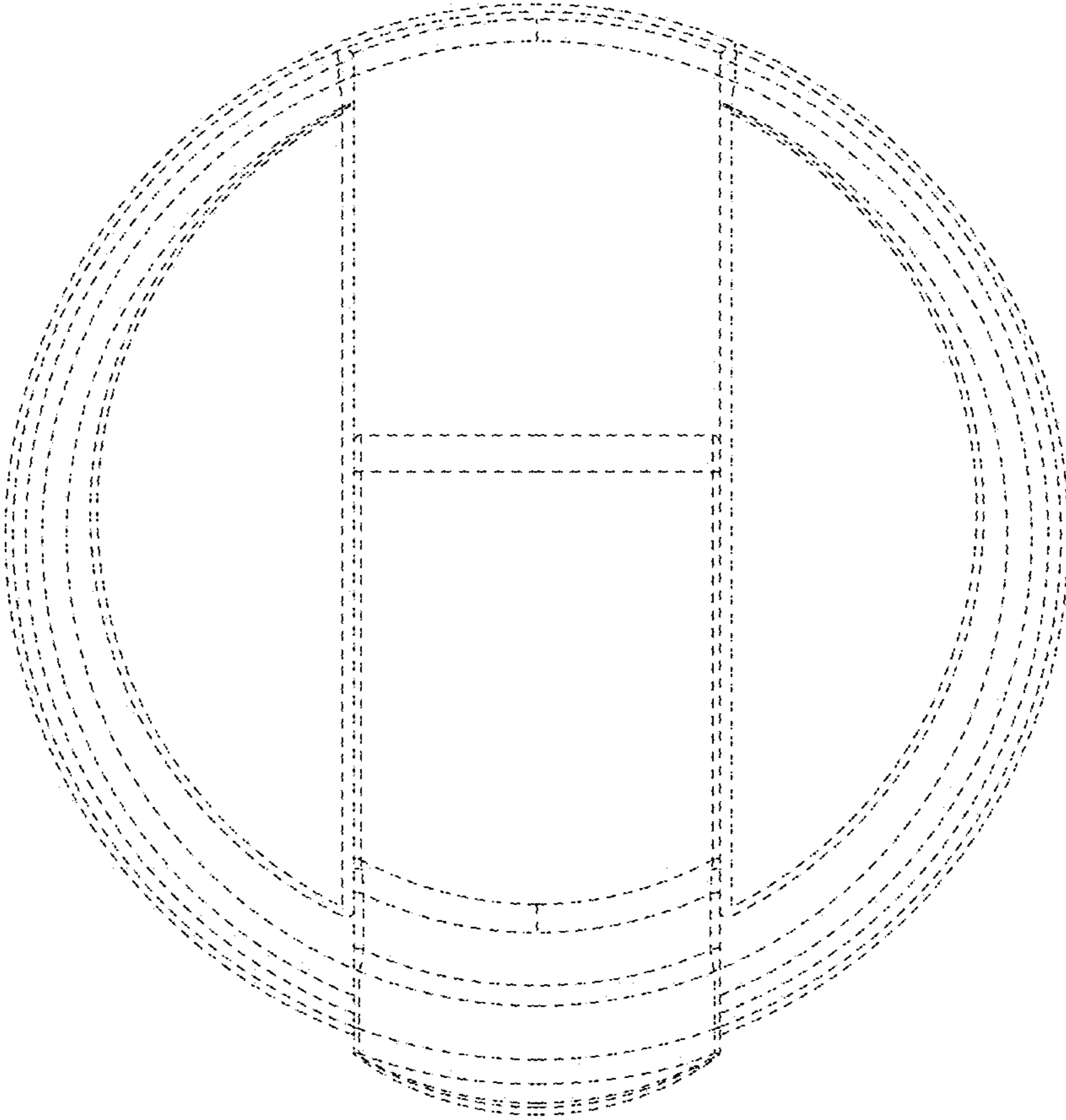


FIG. 7

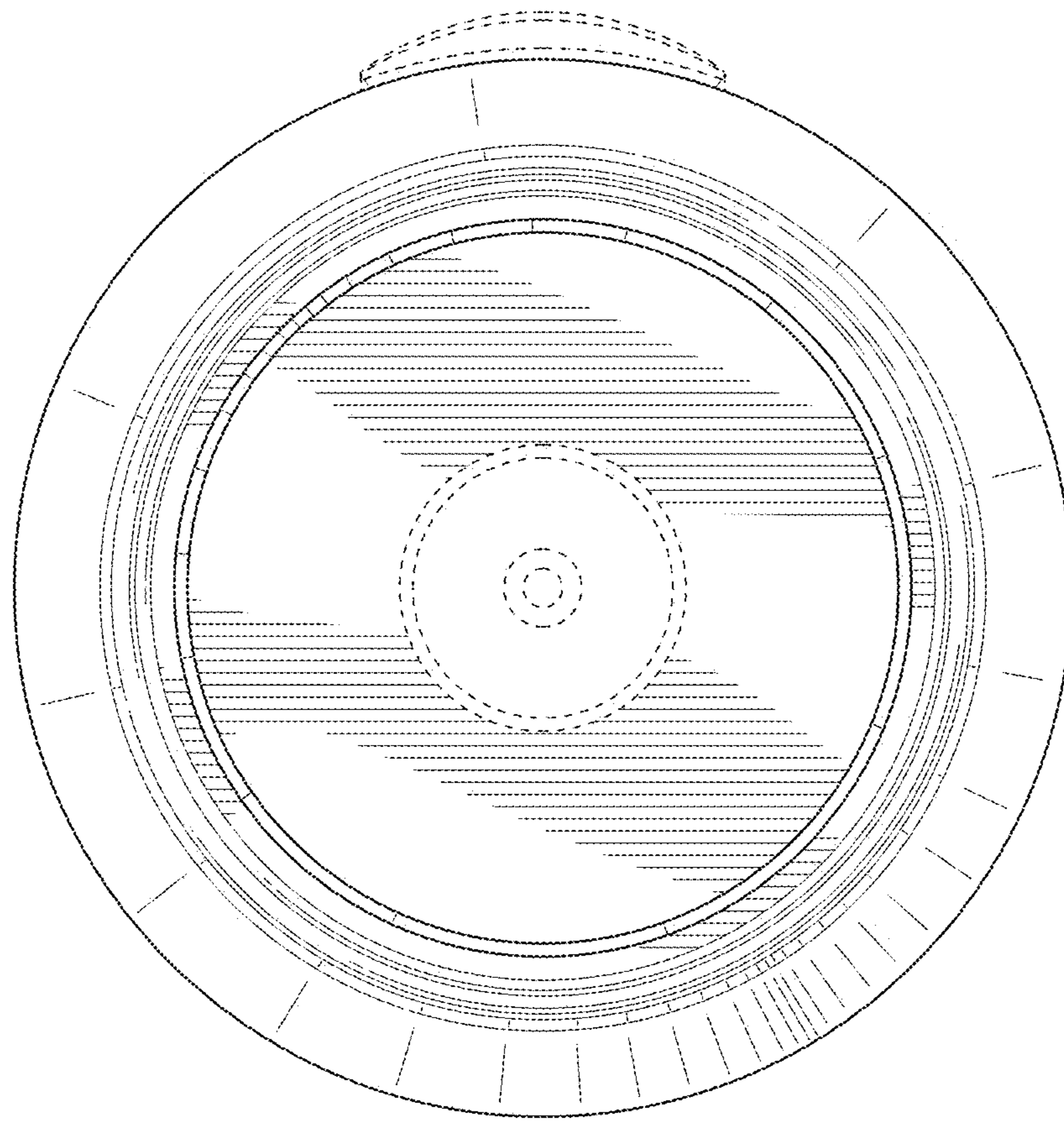


FIG. 8