



US00D955171S

(12) **United States Design Patent**  
**Clemens et al.**

(10) **Patent No.:** **US D955,171 S**  
(45) **Date of Patent:** **\*\* Jun. 21, 2022**

- (54) **BEVERAGE CONTAINER**
- (71) Applicant: **Leapfrog Product Development LLC**,  
Chicago, IL (US)
- (72) Inventors: **Brian M. Clemens**, Burnsville, MN  
(US); **Micaela K. McCabe**, Chicago,  
IL (US); **Glen C. Gilmore, III**,  
Naperville, IL (US); **Steven N. Pinelli**,  
Ogden Dunes, IN (US)
- (73) Assignee: **Leapfrog Product Development LLC**,  
Chicago, IL (US)

D815,901 S *	4/2018	Steinmann	.....	D7/510
D817,713 S *	5/2018	Lin	.....	D7/532
D818,774 S *	5/2018	Stover	.....	D7/532
D847,574 S *	5/2019	Boroski	.....	D7/532
D873,615 S *	1/2020	Steinmann	.....	D7/510
D879,556 S *	3/2020	Sibbert	.....	D7/511
D888,495 S *	6/2020	Davis	.....	D7/532
D903,406 S *	12/2020	McCabe	.....	D9/449

(Continued)

*Primary Examiner* — Joseph Kukella  
*Assistant Examiner* — Darryl J Dardenne  
(74) *Attorney, Agent, or Firm* — Barnes & Thornburg  
LLP

(\*\*) Term: **15 Years**

(57) **CLAIM**

We claim the ornamental design for a beverage container, as shown and described.

(21) Appl. No.: **29/740,607**

(22) Filed: **Jul. 6, 2020**

**DESCRIPTION**

(51) **LOC (13) Cl.** ..... **07-01**  
(52) **U.S. Cl.**  
USPC ..... **D7/510**

(58) **Field of Classification Search**  
USPC ..... D7/300, 313, 316, 392.1, 392.2, 504,  
D7/507, 509, 510, 511, 532, 533, 536,  
D7/601, 602, 605, 608; D9/500, 502,  
D9/516, 528, 531, 538, 539, 540, 549,  
D9/575  
CPC ..... A45F 3/16; A45F 2200/0583; A47G  
19/2205; A47G 23/16; A47G 19/2272;  
A47G 19/2288; A47G 19/23; B65D  
1/265; B65D 3/22; B65D 81/3453; B65D  
81/3865

See application file for complete search history.

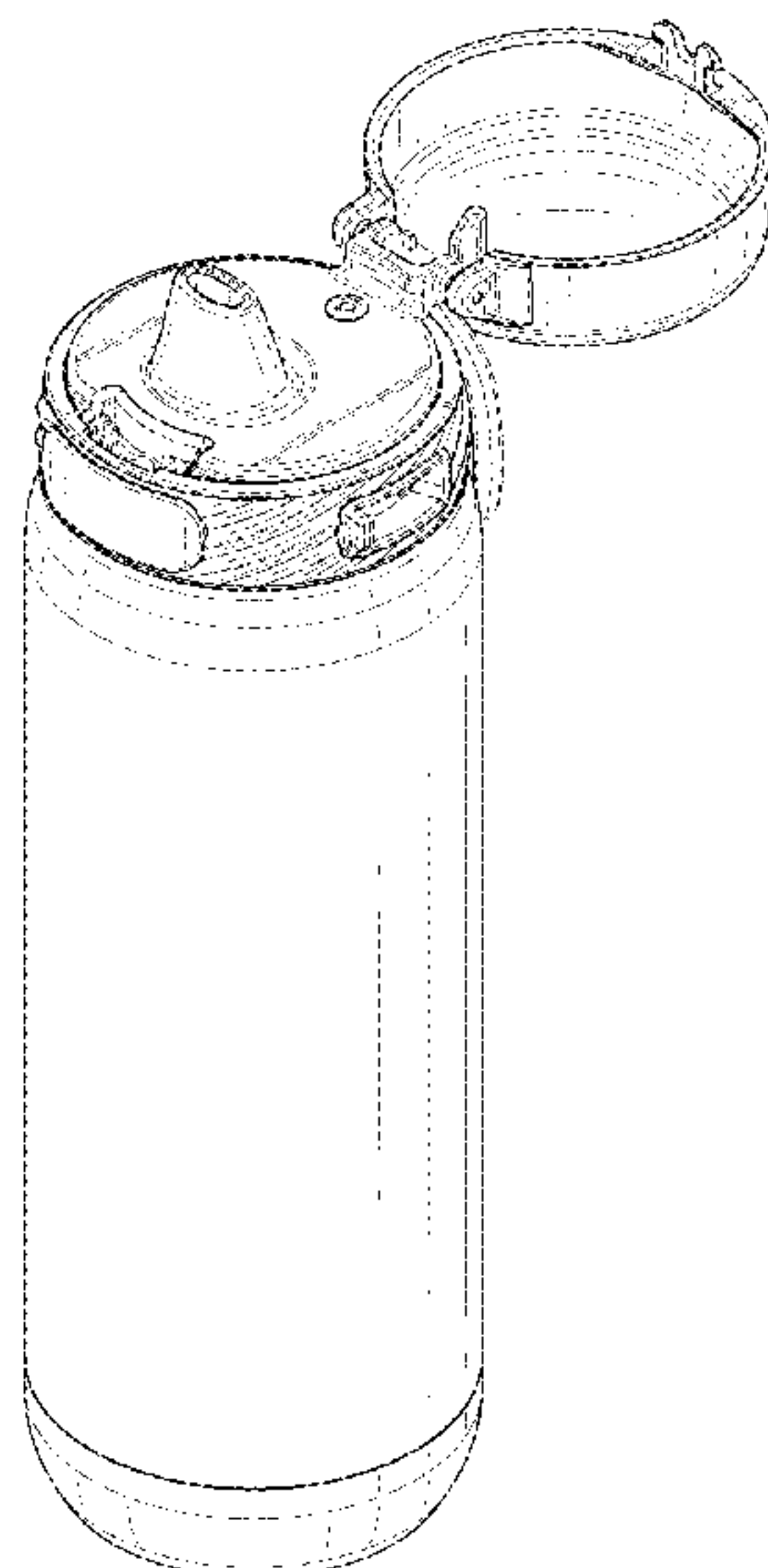
(56) **References Cited**

**U.S. PATENT DOCUMENTS**

D725,966 S *	4/2015	Boroski	.....	A47G 29/126
				D7/511
D729,011 S *	5/2015	Boroski	.....	D7/511
D778,118 S *	2/2017	Du	.....	D7/608

FIG. 1 is a top front perspective view of a first embodiment of the beverage container according to the new design.  
FIG. 2 is a top rear perspective view of the beverage container shown in FIG. 1.  
FIG. 3 is a bottom rear perspective view of the beverage container shown in FIG. 1.  
FIG. 4 is a front elevation view of the beverage container shown in FIG. 1.  
FIG. 5 is a rear elevation view of the beverage container shown in FIG. 1.  
FIG. 6 is a left side elevation view of the beverage container shown in FIG. 1.  
FIG. 7 is a right side elevation view of the beverage container shown in FIG. 1.  
FIG. 8 is a top plan view of the beverage container shown in FIG. 1; and,  
FIG. 9 is a bottom plan view of the beverage container shown in FIG. 1.  
The broken lines in the drawings illustrate portions of the beverage container that form no part of the claimed design.

**1 Claim, 9 Drawing Sheets**



(56)

**References Cited**

U.S. PATENT DOCUMENTS

D903,407	S	*	12/2020	McCabe	.....	D9/449
D907,960	S	*	1/2021	McCabe	.....	D7/532
D909,815	S	*	2/2021	Gui	.....	D7/533
D910,368	S	*	2/2021	McCabe	.....	D9/449
D911,769	S	*	3/2021	McCabe	.....	D7/392.1
D912,466	S	*	3/2021	Silsby	.....	D7/510
D921,422	S	*	6/2021	McCabe	.....	D9/449
D924,623	S	*	7/2021	McCabe	.....	D9/449
D925,972	S	*	7/2021	Gilmore, III	.....	D7/392.1
D929,182	S	*	8/2021	McCabe	.....	D7/510
D931,681	S	*	9/2021	McCabe	.....	D7/510
D938,777	S	*	12/2021	Gilmore, III	.....	D7/392.1
D938,784	S	*	12/2021	Silsby	.....	D7/608
2017/0320640	A1	*	11/2017	Steinmann	.....	A47G 29/126

\* cited by examiner

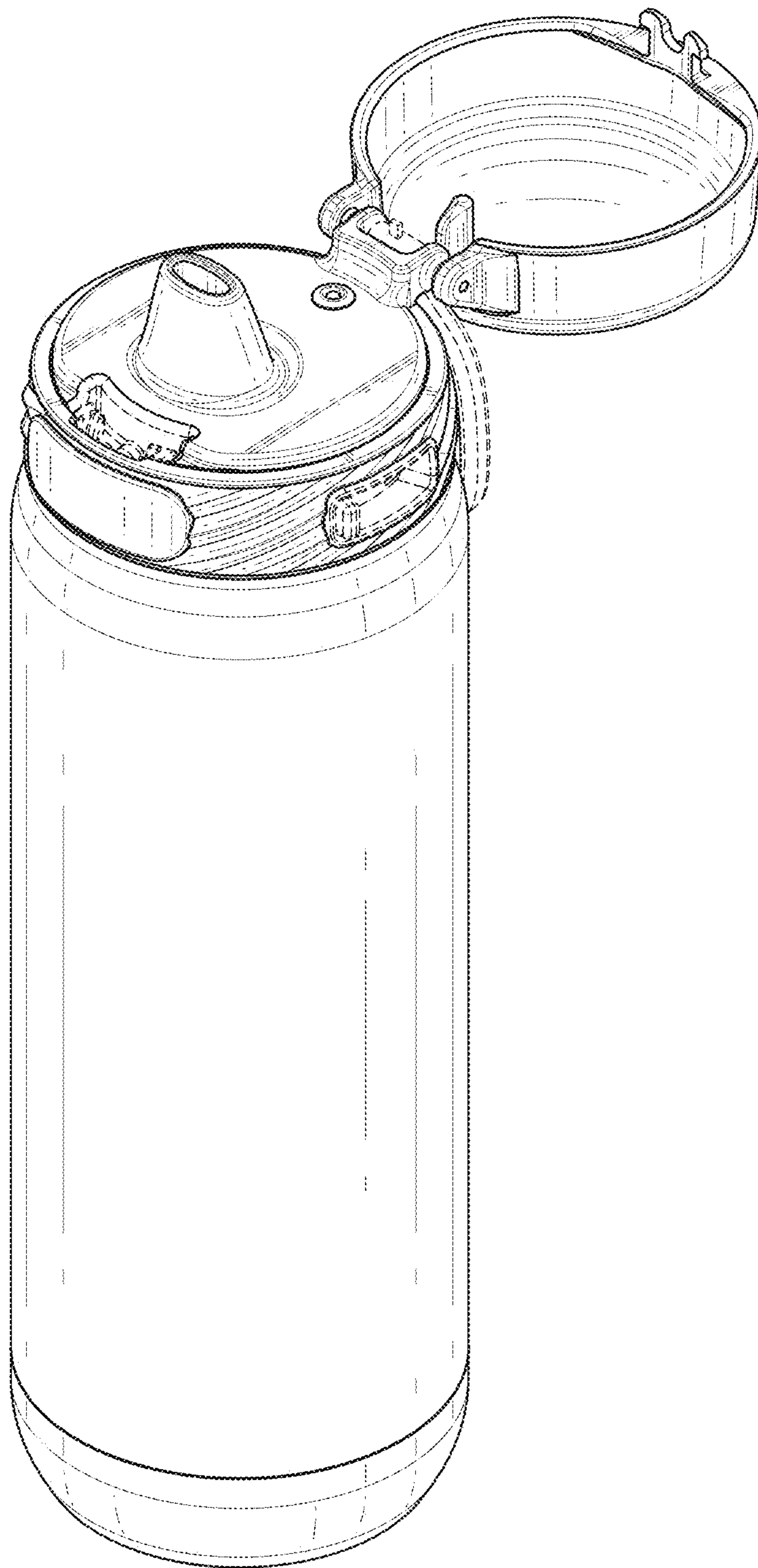


FIG. 1

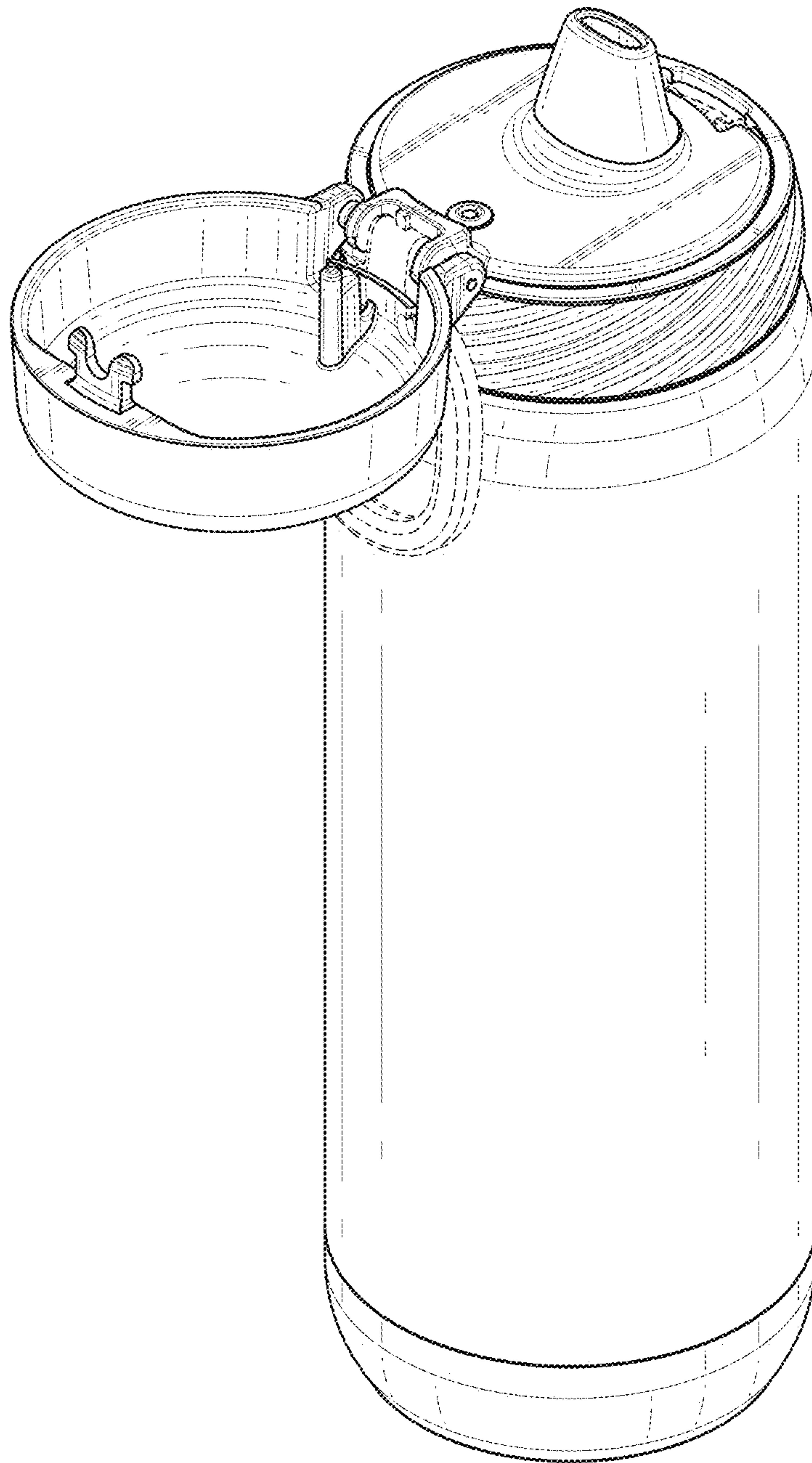


FIG. 2



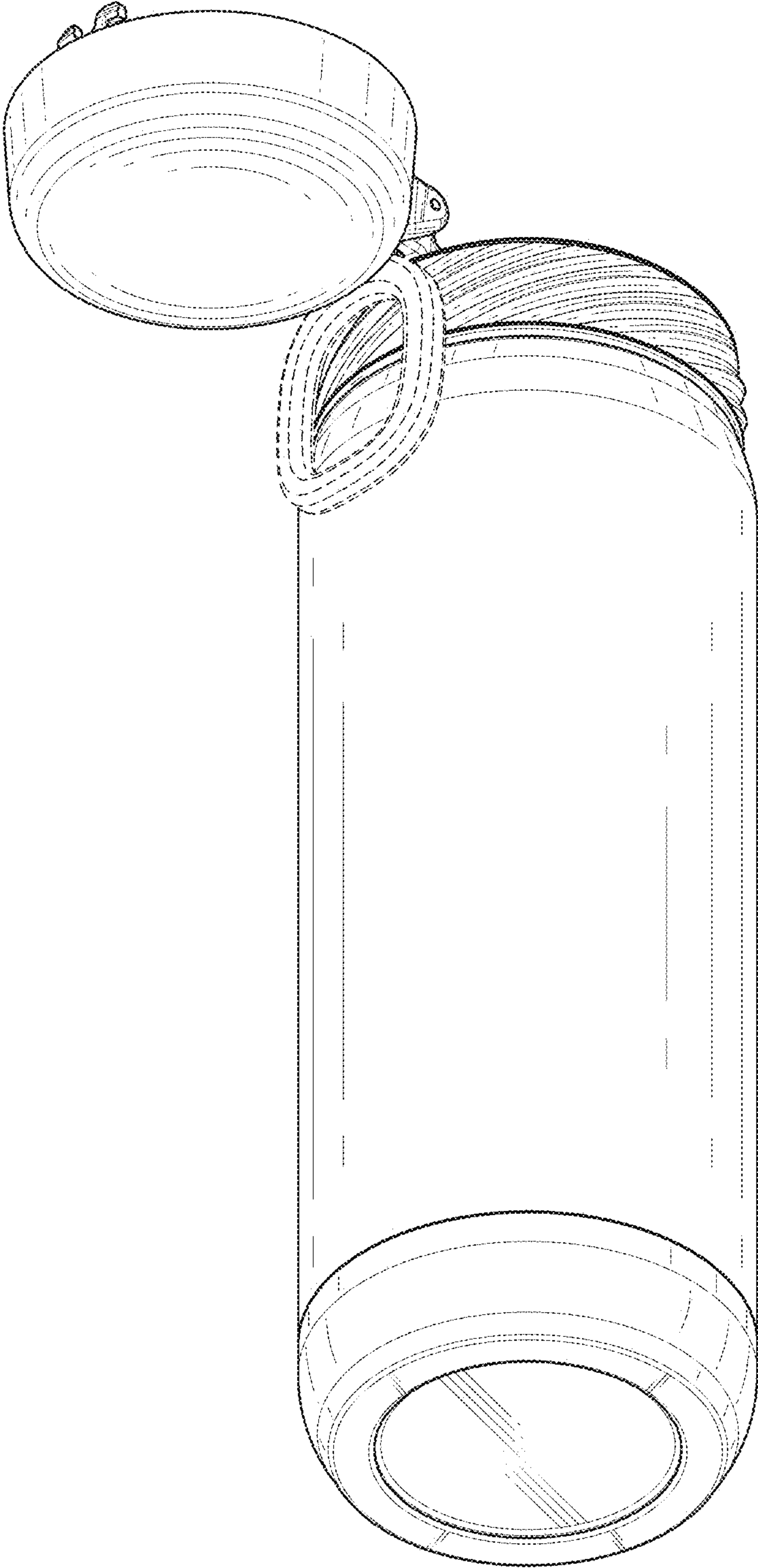


FIG. 3

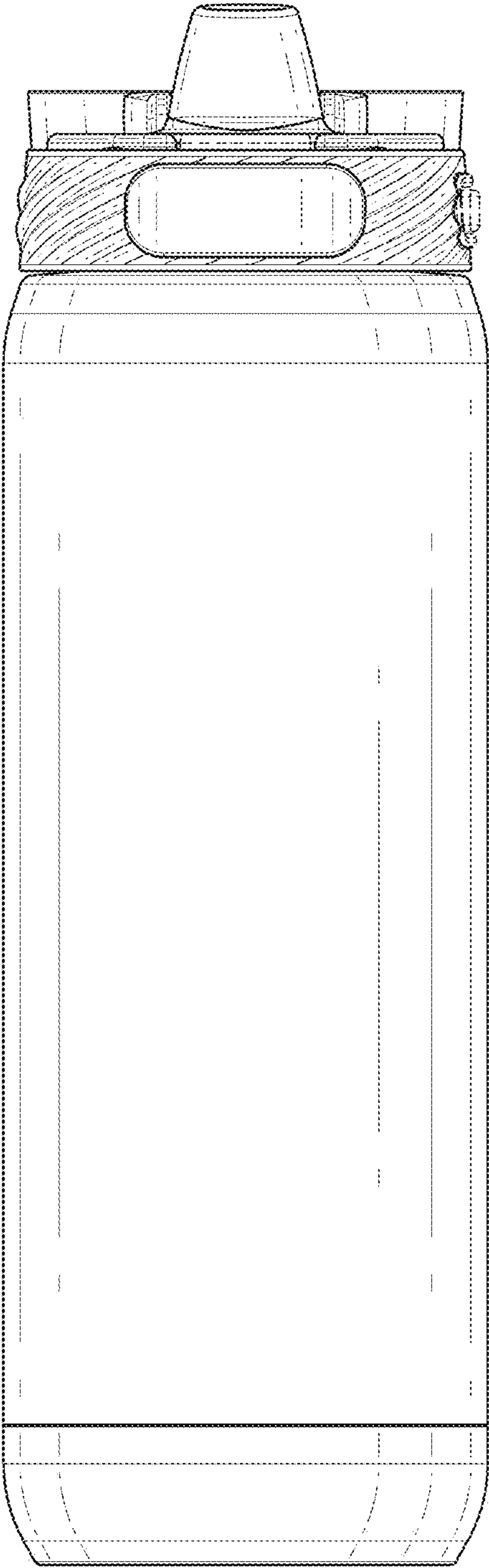


FIG. 4

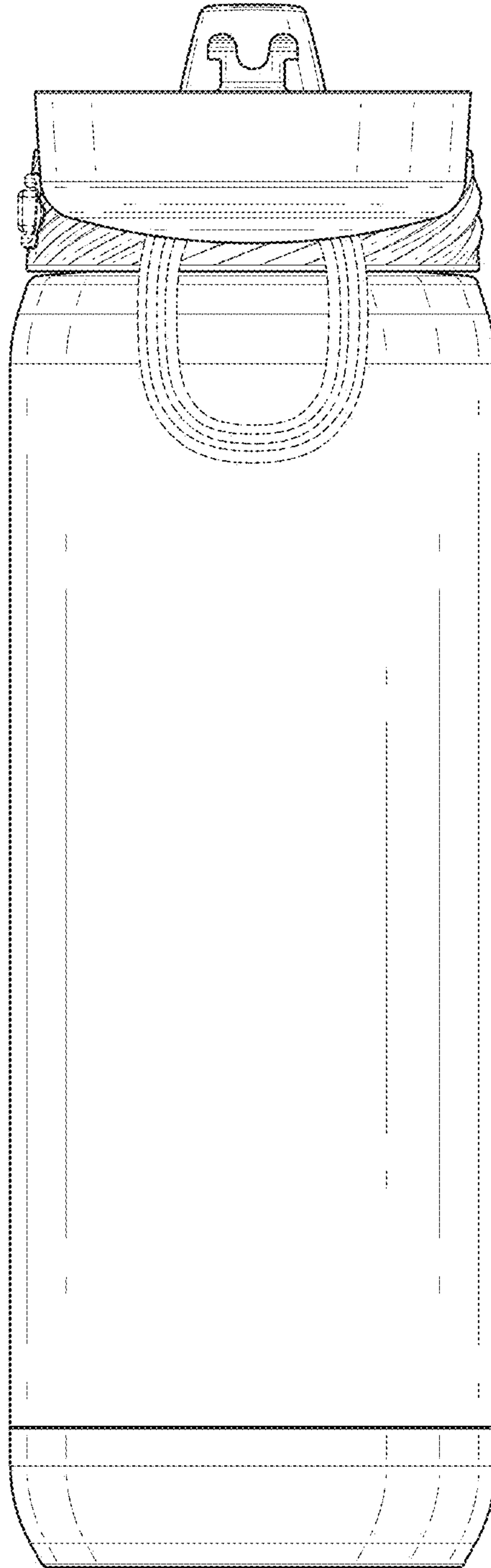


FIG. 5

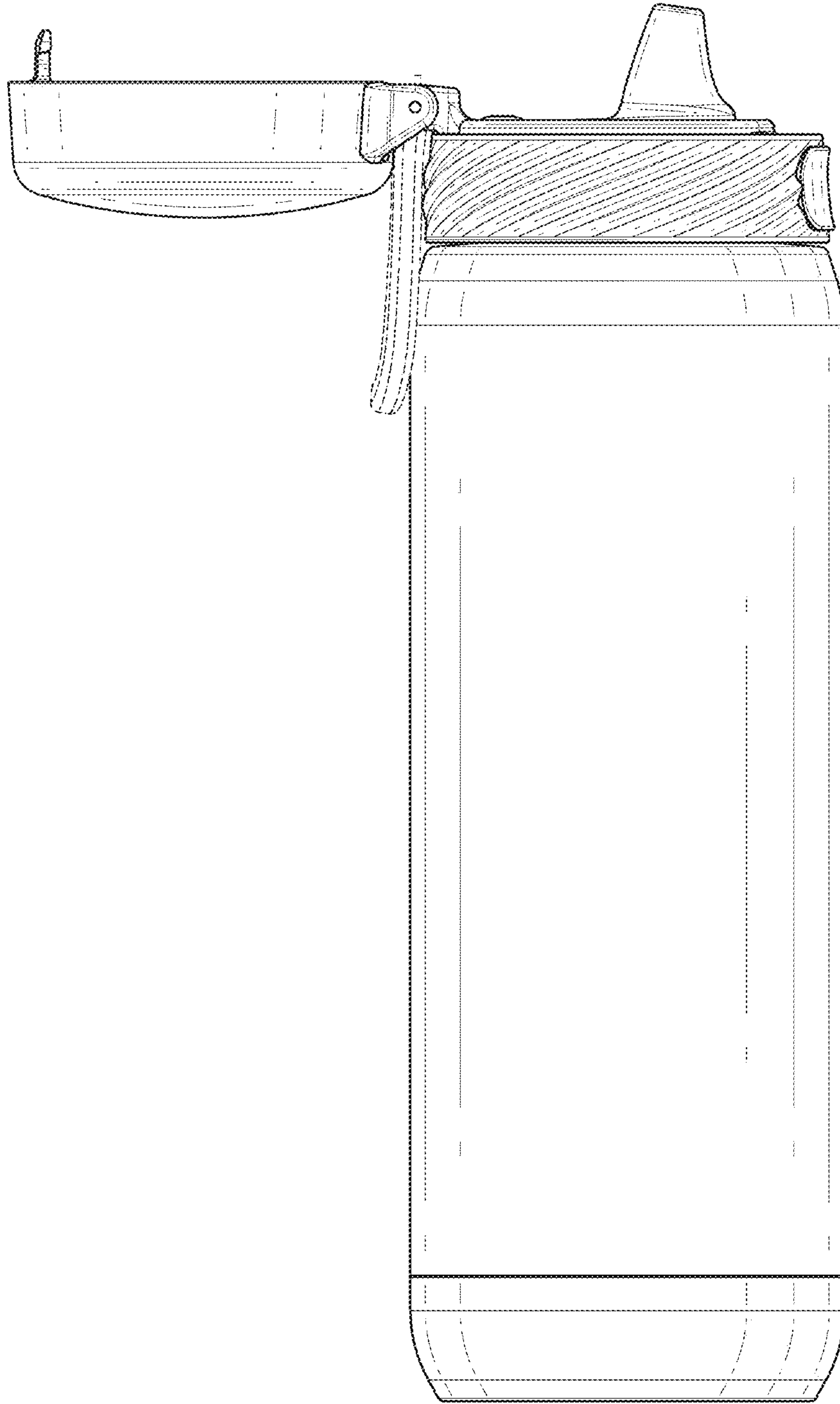


FIG. 6



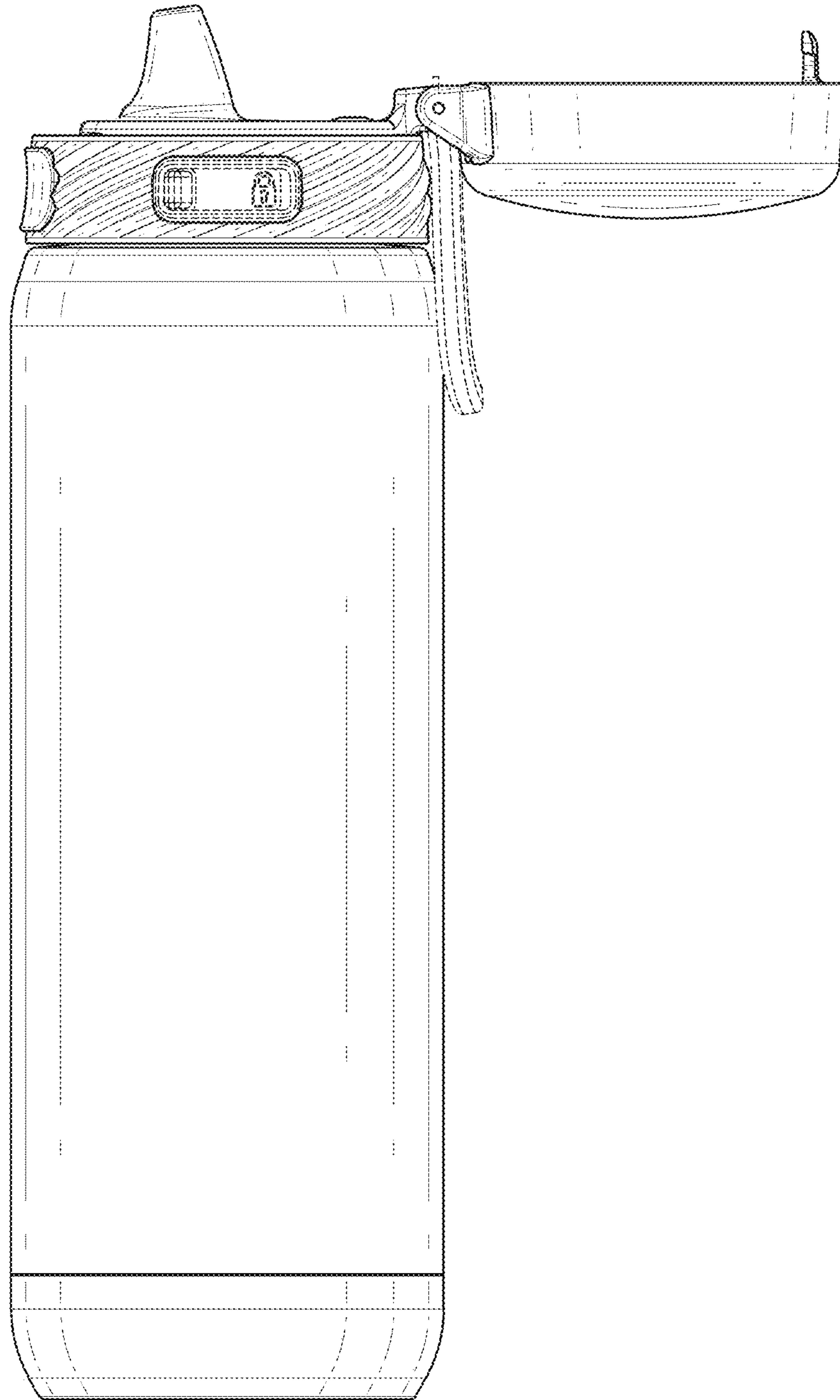


FIG. 7

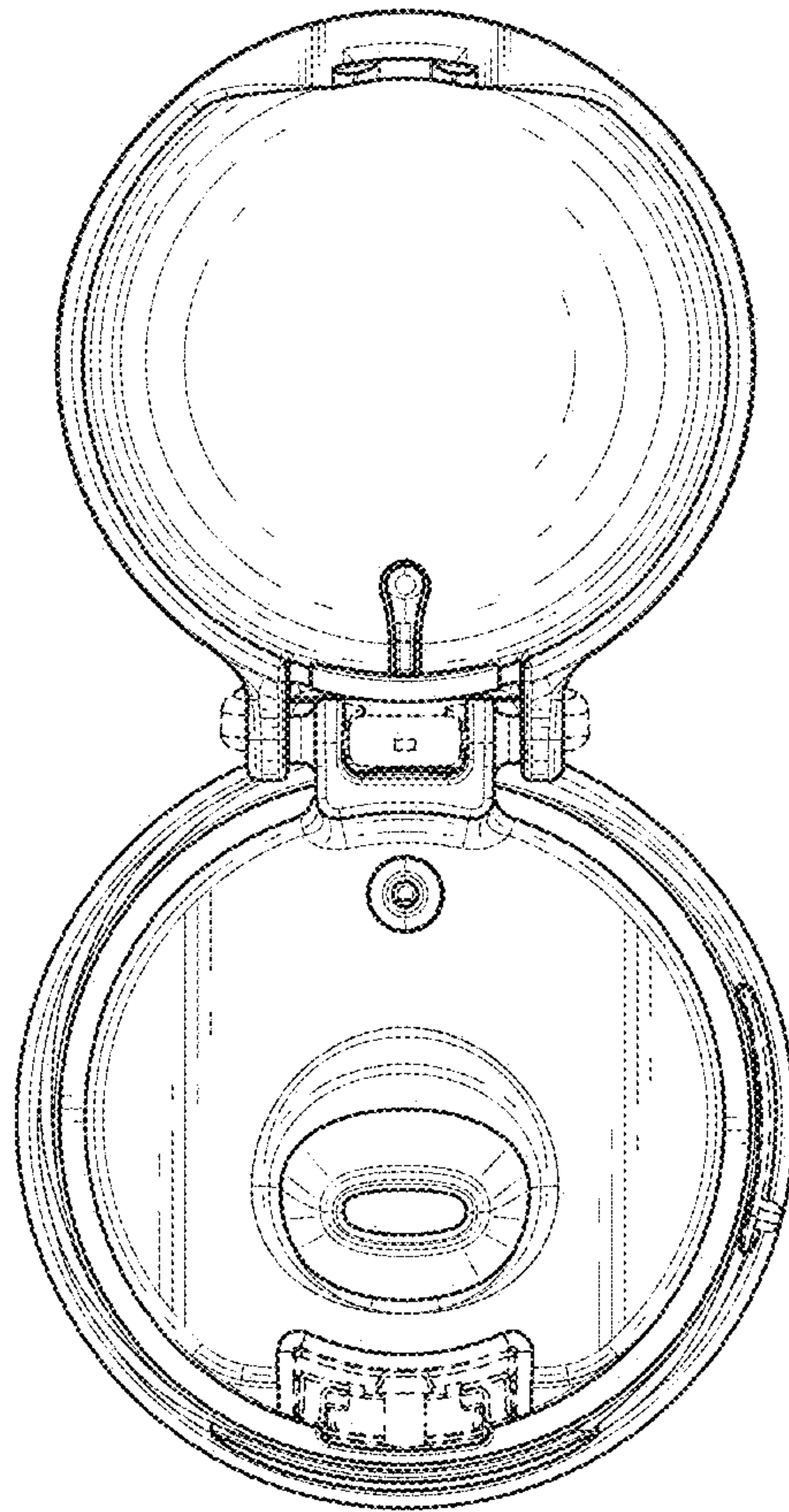


FIG. 8

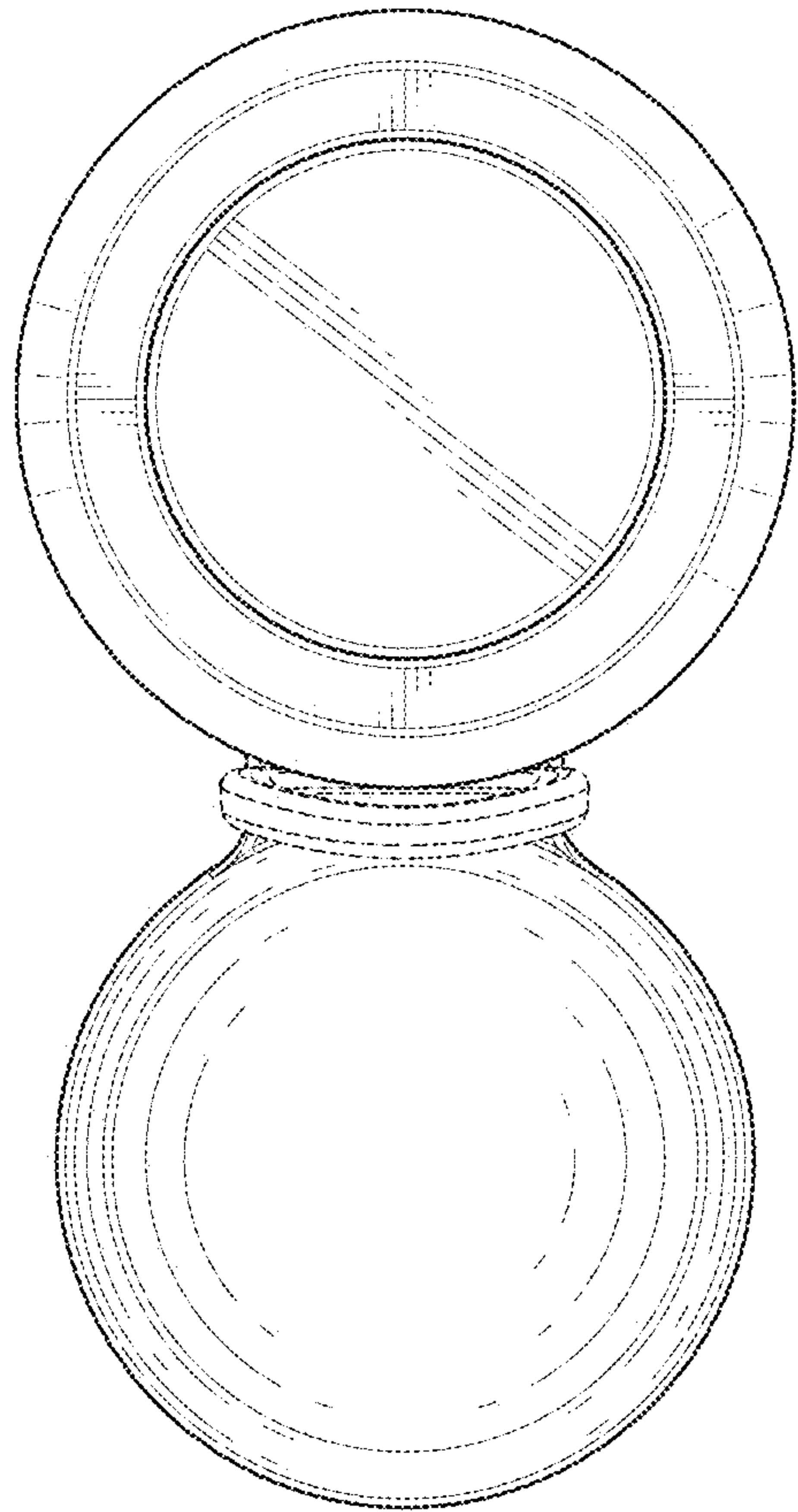


FIG. 9