



US00D955169S

(12) **United States Design Patent**
Cai

(10) **Patent No.:** **US D955,169 S**
(45) **Date of Patent:** **** Jun. 21, 2022**

- (54) **BARBECUE STENT**
- (71) Applicant: **Shenzhen Bingsheng Tea Industry Co., Ltd., Shenzhen (CN)**
- (72) Inventor: **Lingwei Cai, Shantou (CN)**
- (**) Term: **15 Years**
- (21) Appl. No.: **29/757,312**
- (22) Filed: **Nov. 5, 2020**
- (51) **LOC (13) Cl.** **07-02**
- (52) **U.S. Cl.**
USPC **D7/409**
- (58) **Field of Classification Search**
USPC D6/566, 675.2; D7/323, 332, 335-337, D7/354-355, 359-364, 387-388, 402, D7/407-409, 704
CPC A21B 2/00; A21B 3/00; A21B 3/13; A21B 3/15; A21B 3/155; A21B 5/00; A21B 5/02; A23N 12/06; A23N 12/08; A23N 12/10; A47B 87/0207; A47F 5/01; A47F 5/13; A47F 5/137; A47J 37/00; A47J 37/04; A47J 37/041; A47J 37/042; A47J 37/06; A47J 37/0688; A47J 37/0694; A47J 37/07; A47J 37/0704; A47J 37/10; A47J 47/20; A47J 2037/00; A47J 2037/06; A47J 2037/0611; A47J 2037/07; A47J 2037/0786; A47J 2037/0795; F24B 1/205; F24C 15/10; F24C 15/12; F24C 15/14; F24C 15/16; F24C 15/18; F24C 15/164; F25D 25/02
See application file for complete search history.

- (56) **References Cited**
U.S. PATENT DOCUMENTS
2,190,065 A * 2/1940 Griffin A47F 5/01
211/85.26
2,889,054 A * 6/1959 Wheeler F25D 25/02
D6/678.4

- 2,916,293 A * 12/1959 Lang A47B 87/0269
211/126.9
- 3,314,549 A * 4/1967 Goldreich A47F 5/13
206/513
- D214,603 S * 7/1969 Cohen D6/675.2
- 4,444,320 A * 4/1984 Chap A47B 87/0207
206/511
- D316,944 S * 5/1991 Manna D7/409
- 5,074,223 A * 12/1991 Remmers A47B 87/0207
211/199
- 5,097,971 A * 3/1992 Norris A47B 87/0207
211/126.6
- 5,103,799 A * 4/1992 Atanasio A47J 37/0694
99/450
- D392,488 S * 3/1998 Emery D6/546
- D702,498 S * 4/2014 Zemel D7/409
- D702,997 S * 4/2014 Cloutier D7/354

* cited by examiner

Primary Examiner — Ricky Pham

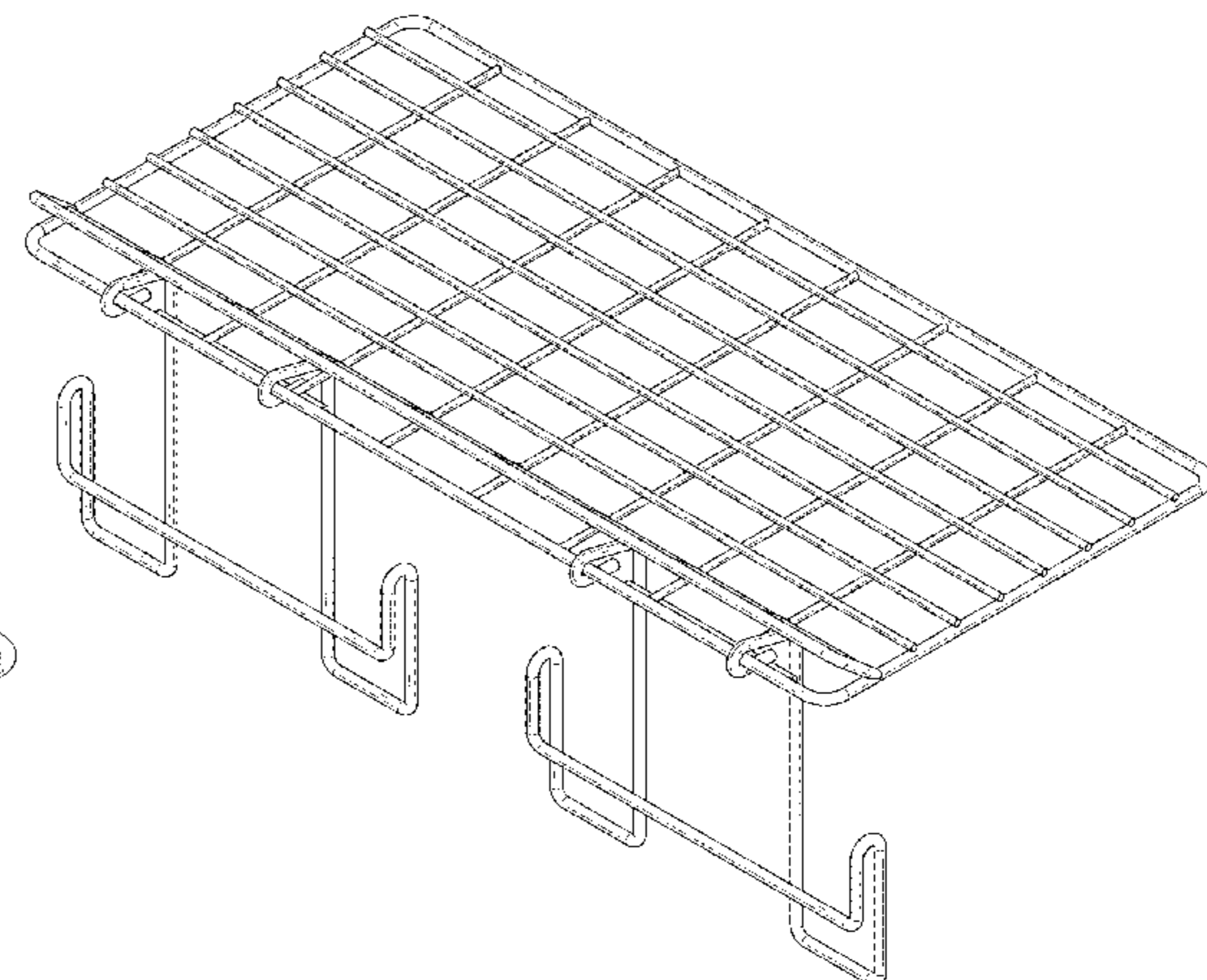
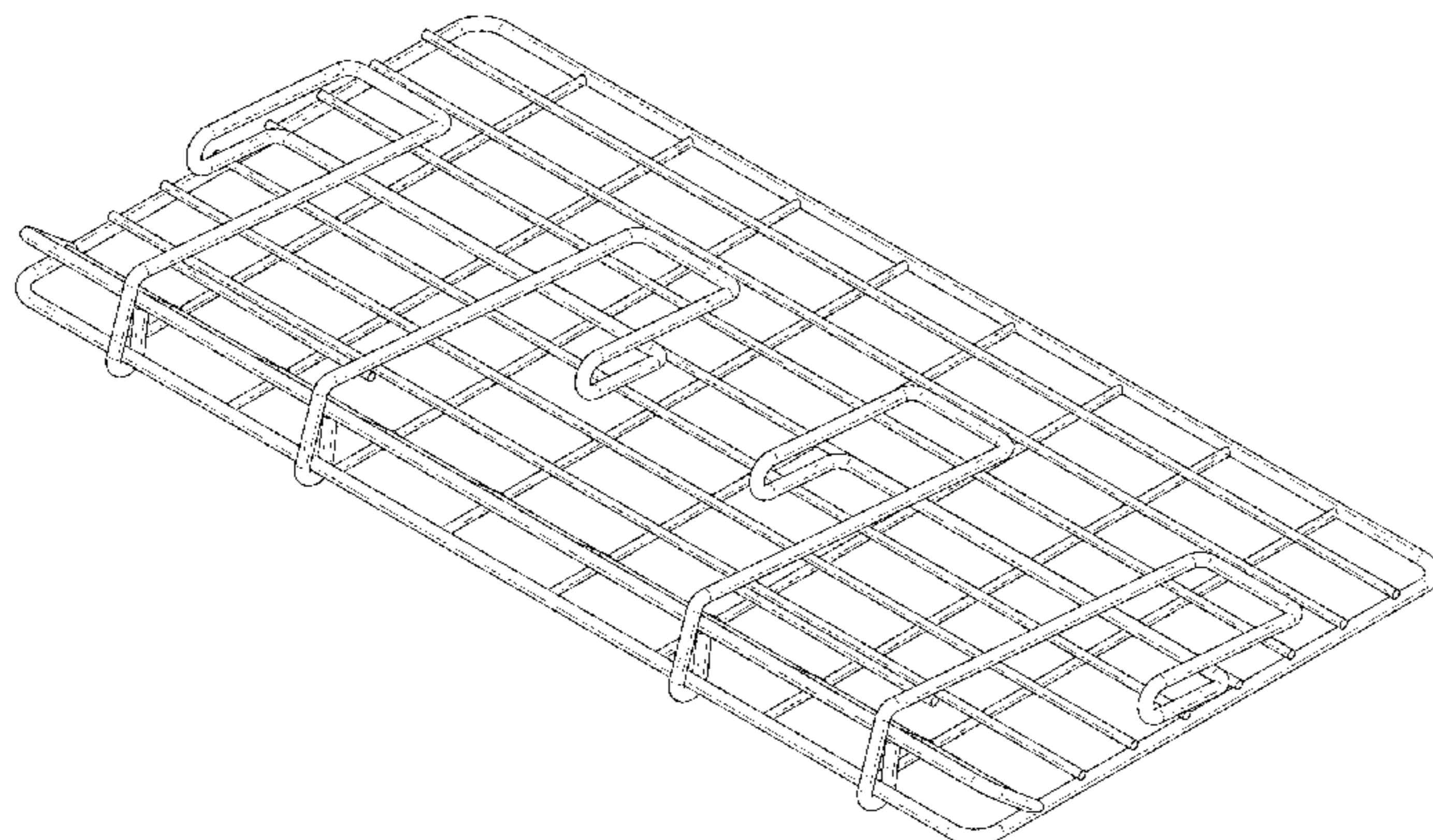
(57) **CLAIM**

The ornamental design for a barbecue stent, as shown and described.

DESCRIPTION

FIG. 1 is a first perspective view of a barbecue stent showing my new design;
 FIG. 2 is a second perspective view thereof;
 FIG. 3 is a front view thereof;
 FIG. 4 is a back view thereof;
 FIG. 5 is a left side view thereof;
 FIG. 6 is a right side view thereof;
 FIG. 7 is a top view thereof;
 FIG. 8 is a bottom view thereof; and,
 FIG. 9 is a perspective view of another state of the barbecue stent thereof.

1 Claim, 9 Drawing Sheets



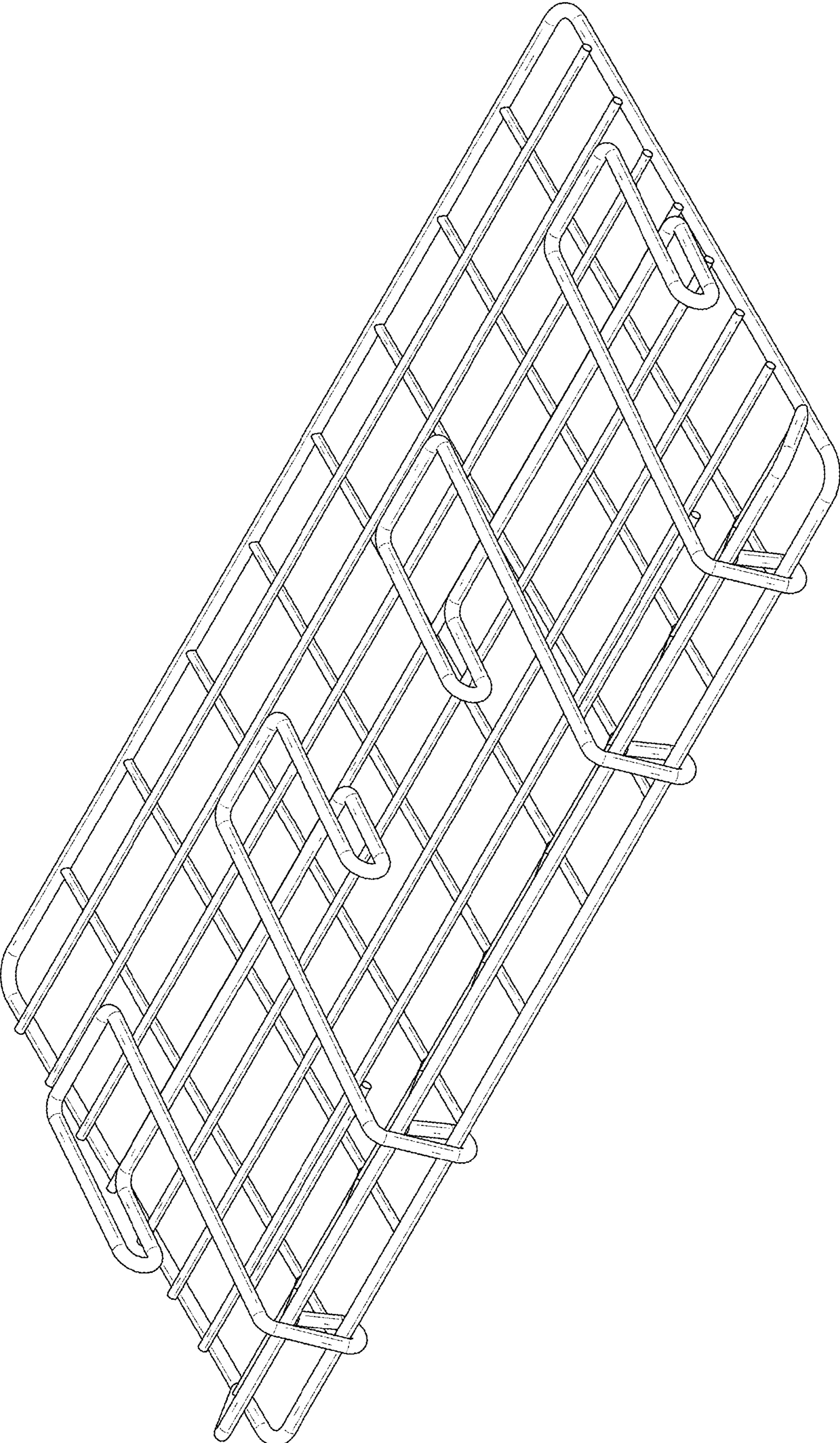


FIG. 1

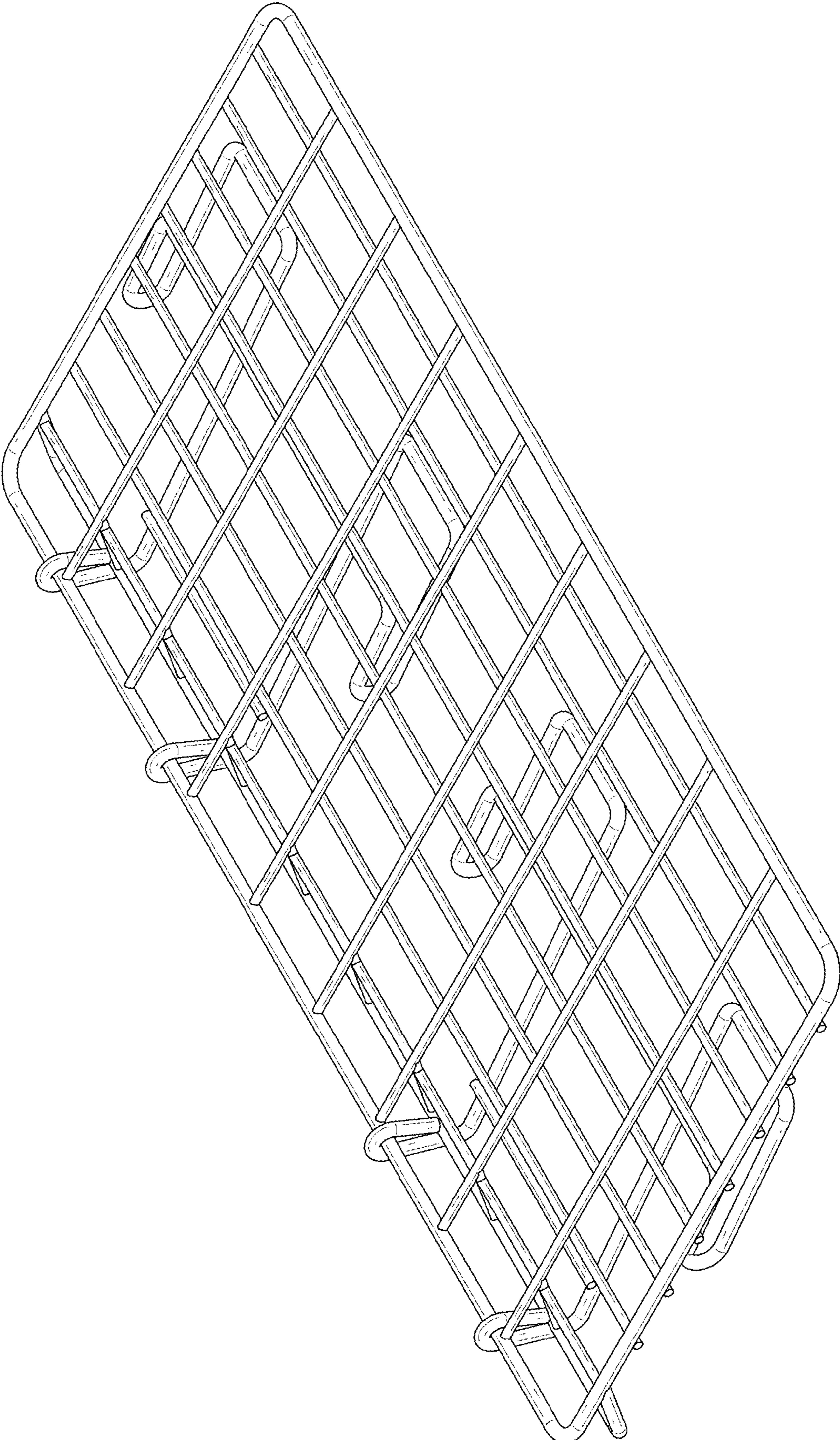


FIG. 2

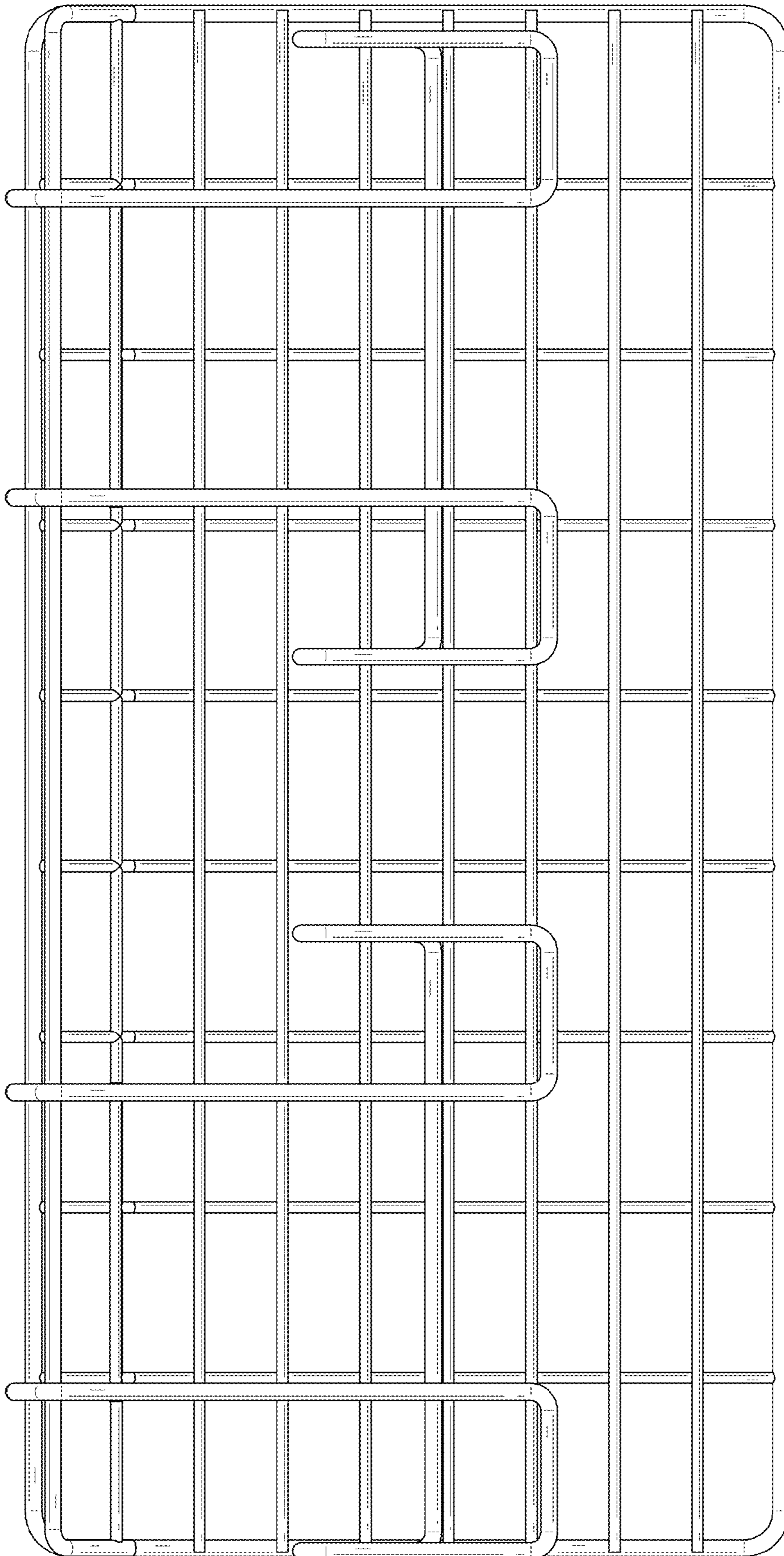


FIG. 3

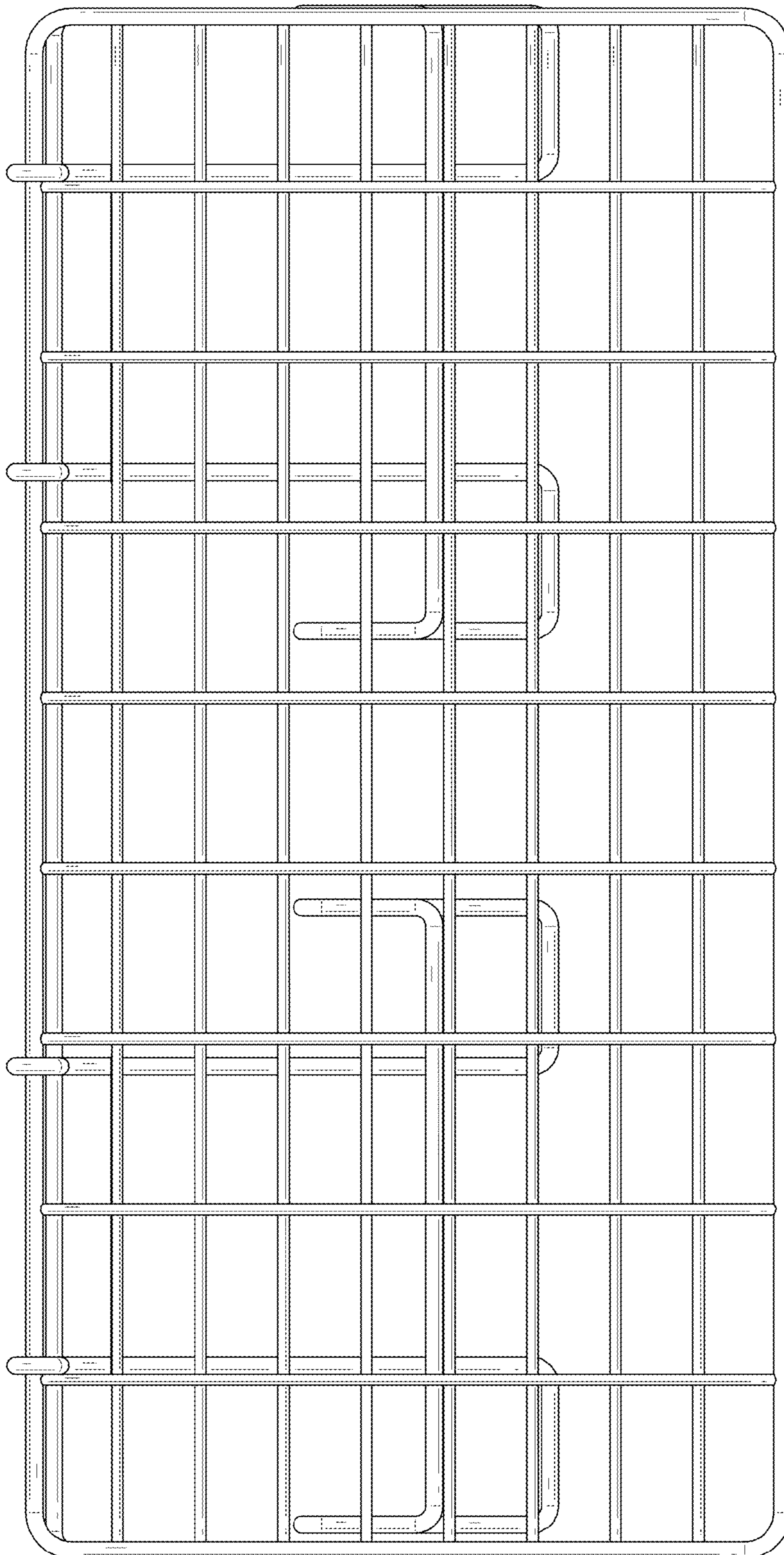


FIG. 4

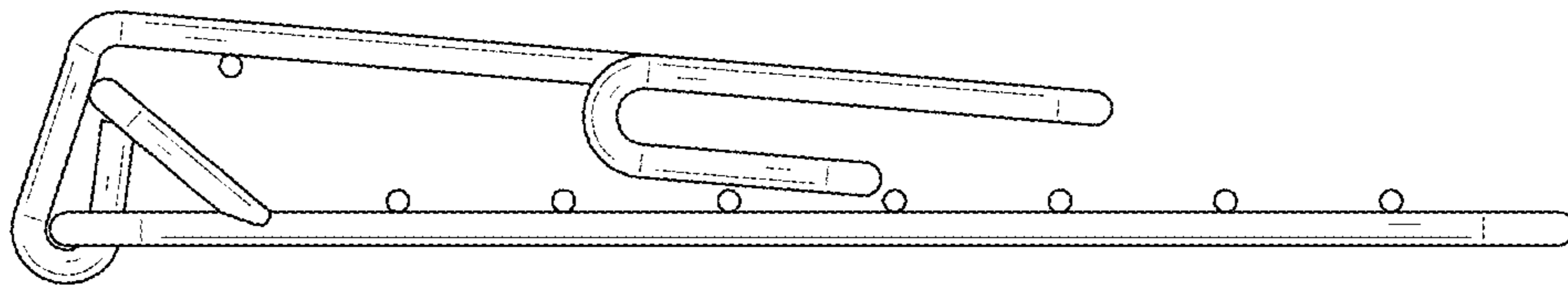


FIG. 5

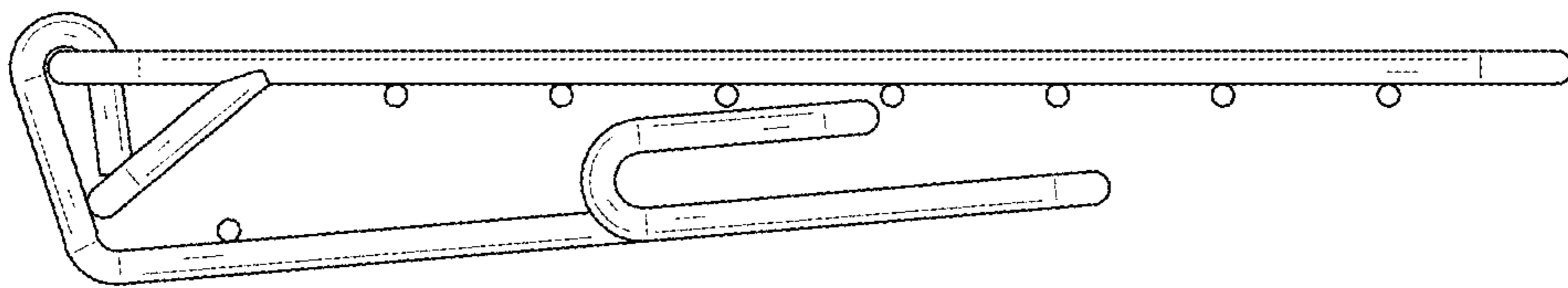


FIG. 6

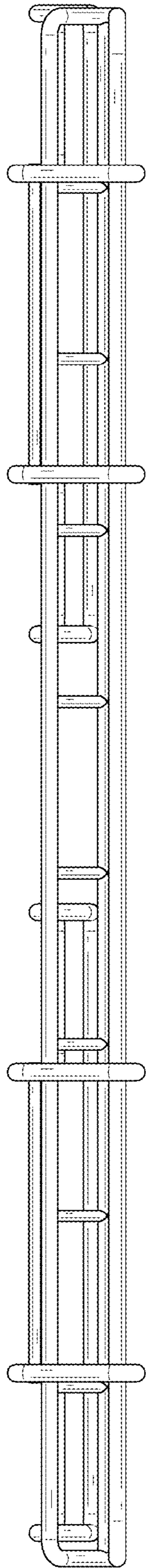


FIG. 7

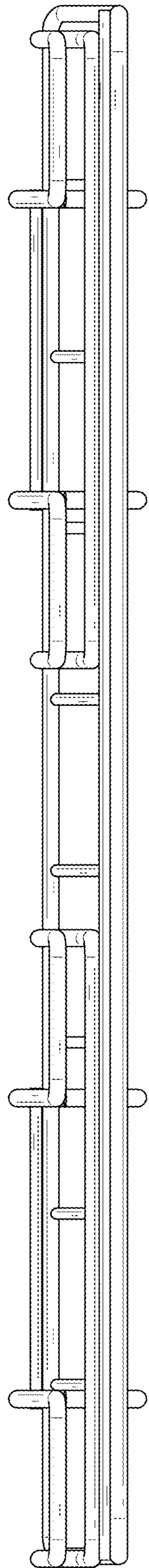


FIG. 8

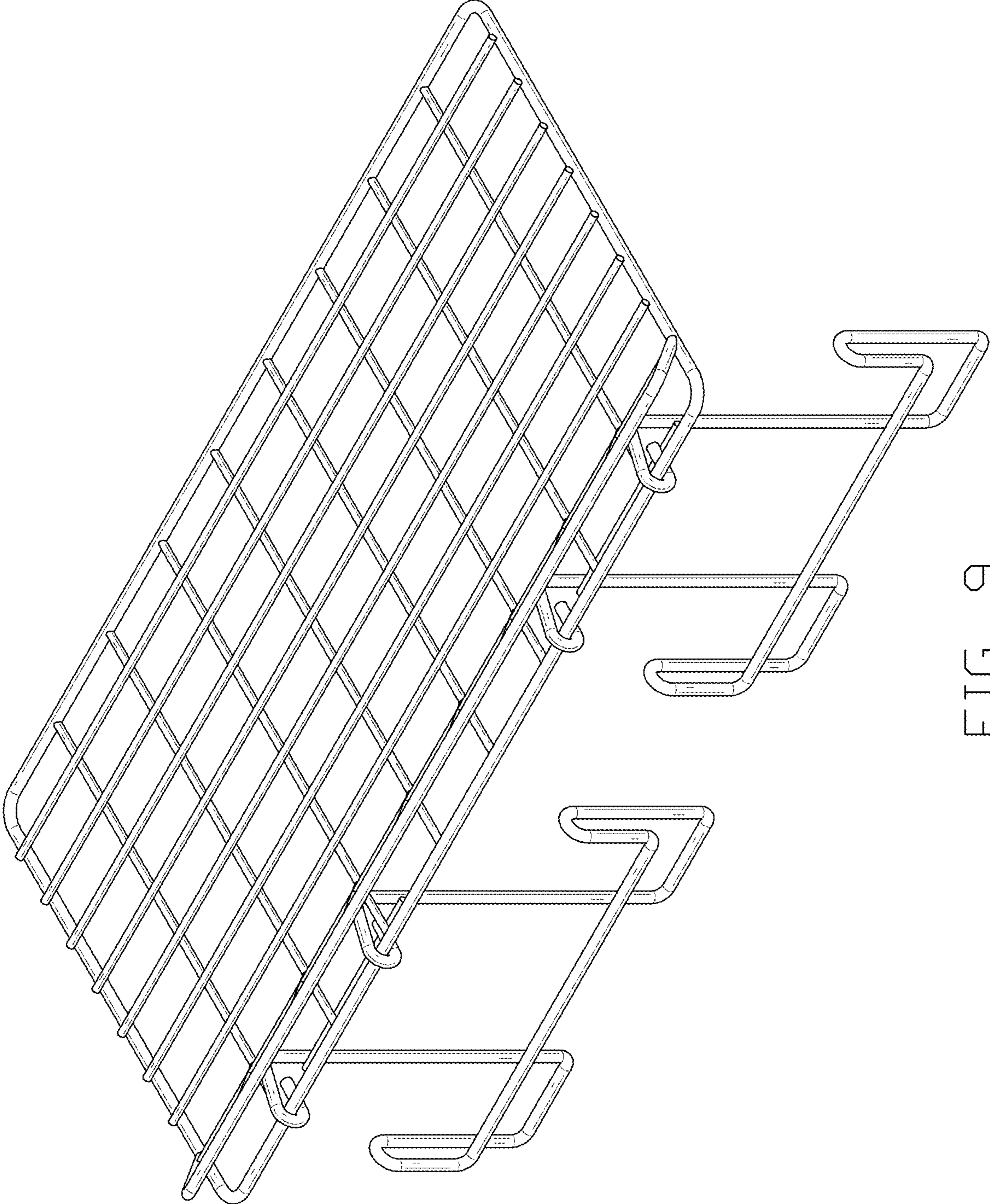


FIG. 9