

US00D955168S

(12) **United States Design Patent**
Springer et al.

(10) **Patent No.:** **US D955,168 S**
(45) **Date of Patent:** **** Jun. 21, 2022**

(54) **ELECTRIC HEATING ELEMENT**
(71) Applicant: **Backer EHP Inc.**, Murfreesboro, TN (US)
(72) Inventors: **Stacy V. Springer**, Murfreesboro, TN (US); **Dan R. Maxwell**, Murfreesboro, TN (US); **Ronald R. Barnes**, Murfreesboro, TN (US)

2,725,456 A * 11/1955 Paulm H05B 3/76
219/454.12
2,764,661 A 9/1956 Molyneaux
2,781,038 A 2/1957 Sherman
2,790,062 A 4/1957 McOrlly
2,806,122 A 9/1957 Thunander
2,877,334 A 3/1959 McOrlly et al.
2,933,805 A 4/1960 McOrlly
(Continued)

(73) Assignee: **BACKER EHP INC.**, Murfreesboro, TN (US)
(**) Term: **15 Years**

FOREIGN PATENT DOCUMENTS

CA 2970348 12/2017
DE 3510398 9/1986
(Continued)

(21) Appl. No.: **29/697,023**
(22) Filed: **Jul. 3, 2019**
(51) **LOC (13) Cl.** **07-02**
(52) **U.S. Cl.**
USPC **D7/407**
(58) **Field of Classification Search**
USPC D7/402-409, 323, 328-332, 339-340, D7/346-351, 390
CPC ... H05B 1/02; H05B 1/00; H05B 3/76; H05B 3/68; F24C 15/102
See application file for complete search history.

OTHER PUBLICATIONS

International Search Report and Written Opinion dated Feb. 4, 2019 for PCT Application No. PCT/US2018/060192 (16 pages).

Primary Examiner — Sheryl Lane
Assistant Examiner — Nicole C Shiflet
(74) *Attorney, Agent, or Firm* — Neal, Gerber & Eisenberg LLP; Thomas E. Williams

(56) **References Cited**

U.S. PATENT DOCUMENTS

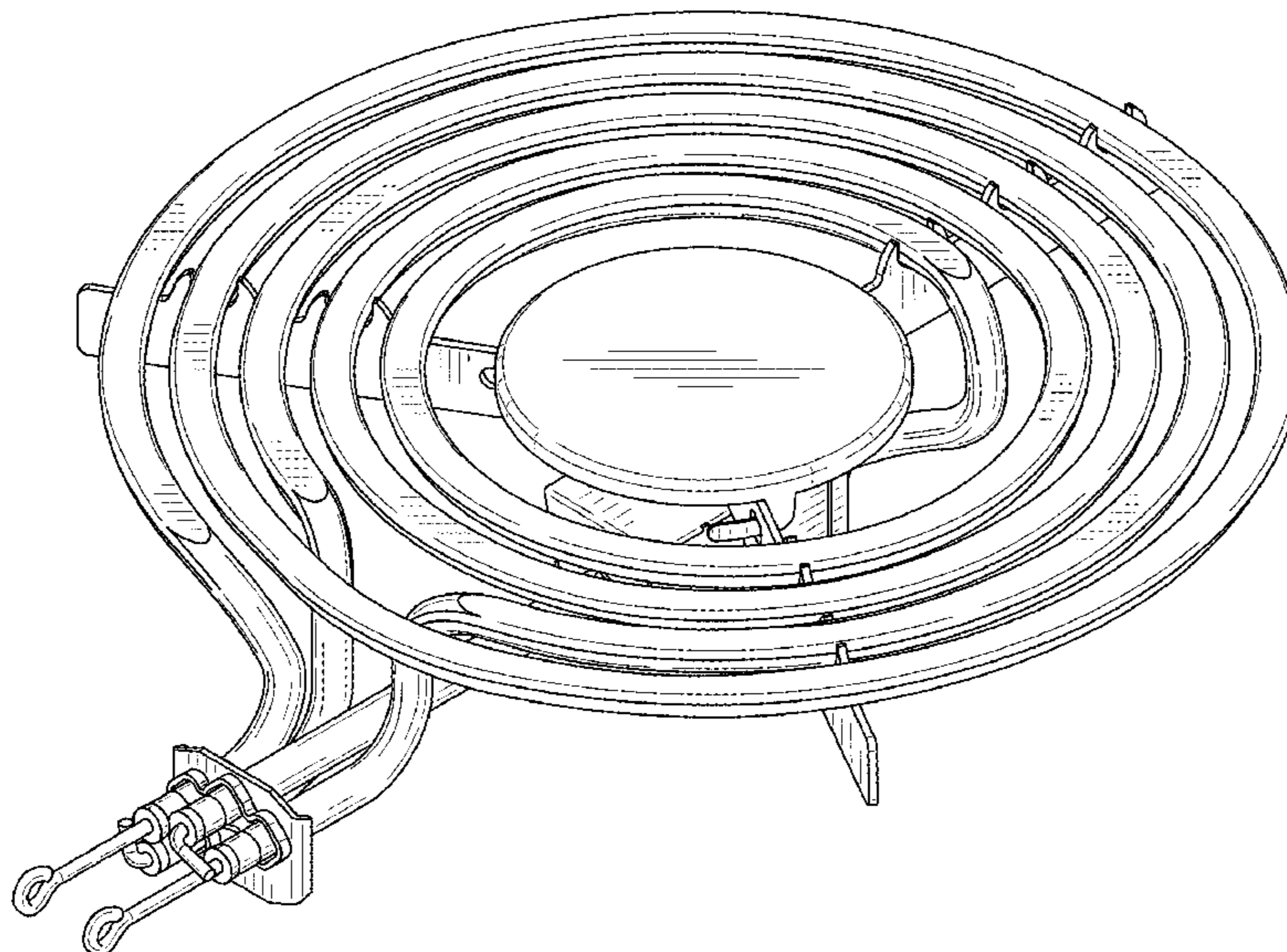
2,140,479 A 12/1938 Myers et al.
2,260,165 A 10/1941 Calhoun
D132,279 S * 5/1942 McCormick D7/407
2,375,058 A 5/1945 Wiegand
2,399,423 A 4/1946 Bletz
2,413,477 A 12/1946 Wiegand
2,428,899 A 10/1947 Wiegand
2,428,900 A 10/1947 Wiegand
2,462,016 A 2/1949 Wiegand
2,472,738 A 6/1949 Backer
2,550,843 A 5/1951 McOrlly
2,678,379 A 5/1954 Fry

(57) **CLAIM**
The ornamental design for an electric heating element, as shown and described.

DESCRIPTION

FIG. 1 is a front, top perspective view of an electric heating element, showing our new design;
FIG. 2 is a front elevation view thereof;
FIG. 3 is a rear elevation view thereof;
FIG. 4 is a right side elevation view thereof;
FIG. 5 is a left side elevation view thereof;
FIG. 6 is a top plan view thereof;
FIG. 7 is a bottom plan view thereof; and,
FIG. 8 is a rear, bottom perspective view thereof.

1 Claim, 8 Drawing Sheets



(56)

References Cited

U.S. PATENT DOCUMENTS

2,943,178 A * 6/1960 Aldous H05B 3/76
219/454.12

2,988,625 A 6/1961 Hart

2,994,758 A 8/1961 Kelly

3,017,491 A 1/1962 Ammerman

3,041,437 A 6/1962 Carissimi

3,072,775 A 1/1963 Ammerman et al.

3,155,815 A 11/1964 Clapp

3,246,122 A 4/1966 Wetzal

3,246,123 A 4/1966 Ammerman et al.

3,350,674 A 10/1967 Kozbelt et al.

3,781,757 A 12/1973 Barnes

4,051,346 A 9/1977 Lenmark

4,122,330 A 10/1978 Fischer

4,146,865 A 3/1979 Scharbach et al.

4,214,150 A 7/1980 Cunningham

4,237,368 A 12/1980 Welch

4,394,564 A 7/1983 Dills

4,399,351 A 8/1983 Koff

4,410,793 A 10/1983 Fischer et al.

4,538,051 A 8/1985 Schreder et al.

4,710,611 A 12/1987 Axelson

4,740,664 A 4/1988 Payne

4,812,624 A 3/1989 Kern

4,812,625 A 3/1989 Ceste, Sr.

4,906,819 A * 3/1990 Thompson H05B 3/76
219/455.11

5,153,414 A * 10/1992 Wilson H05B 3/76
219/454.12

5,176,451 A 1/1993 Sasada et al.

5,270,519 A 12/1993 Higgins

5,294,778 A 3/1994 Carman et al.

5,396,047 A 3/1995 Schilling et al.

5,410,128 A * 4/1995 Vermillion H05B 3/76
219/454.12

5,498,854 A 3/1996 McWilliams

5,658,478 A 8/1997 Roeschel et al.

5,796,346 A 8/1998 Wash et al.

D402,156 S * 12/1998 Meyer D7/407

5,856,654 A 1/1999 Frasnetti et al.

5,945,017 A 8/1999 Cheng et al.

5,951,898 A 9/1999 Bailleul et al.

5,961,867 A 10/1999 McWilliams

6,133,552 A 10/2000 Saulnier et al.

6,246,033 B1 6/2001 Shah

6,300,605 B1 10/2001 Higgins

6,417,496 B1 7/2002 Bates et al.

D468,963 S * 1/2003 Pai D7/407

6,555,793 B2 4/2003 Griffiths et al.

6,663,009 B1 12/2003 Bedetti et al.

6,693,262 B2 2/2004 Gerola et al.

7,053,340 B2 5/2006 Wilde et al.

7,255,100 B2 8/2007 Repper et al.

7,268,324 B2 9/2007 Liebold et al.

7,307,246 B2 12/2007 Smolenski et al.

7,928,344 B2 4/2011 Jeong

RE42,513 E 7/2011 Clothier

8,001,957 B2 8/2011 Clauss et al.

8,274,020 B2 9/2012 Donarski et al.

8,344,292 B2 1/2013 Franca et al.

8,723,085 B2 5/2014 Callahan et al.

8,895,903 B2 11/2014 de la Toyos Lopez et al.

9,132,302 B2 9/2015 Luongo et al.

9,220,130 B1 12/2015 Smith

10,018,514 B2 7/2018 Jewell et al.

10,024,546 B2 7/2018 Smith et al.

10,132,504 B1 * 11/2018 Springer F24C 15/102

10,222,070 B2 3/2019 Cadima

10,251,218 B2 4/2019 Gomez et al.

10,408,462 B2 9/2019 Smith et al.

10,429,079 B2 * 10/2019 Pasqual H05B 3/76

10,440,778 B2 10/2019 Dolinski et al.

10,499,459 B2 12/2019 Gomez

10,517,144 B2 12/2019 Gomez

10,571,133 B1 2/2020 Smith et al.

10,584,882 B2 3/2020 Iordanoglou

11,067,288 B2 * 7/2021 Springer F24C 7/087

2002/0175213 A1 11/2002 Wodeslavsky

2004/0099652 A1 5/2004 Berkcan et al.

2004/0164061 A1 8/2004 Takeuchi et al.

2004/0164067 A1 8/2004 Badami et al.

2005/0089809 A9 4/2005 Repper et al.

2005/0274710 A1 12/2005 Toyos et al.

2006/0186112 A1 8/2006 Valiyambath Krishnan et al.

2007/0170169 A1 7/2007 Jeong

2012/0125912 A1 5/2012 Callahan et al.

2016/0010873 A1 1/2016 Palazuelos

2016/0316519 A1 10/2016 Gomez et al.

2017/0089589 A1 3/2017 Lamasanu et al.

2017/0325293 A1 11/2017 Bach et al.

2017/0356658 A1 12/2017 Smith et al.

2017/0359861 A1 12/2017 Smith et al.

2018/0124869 A1 5/2018 Gomez

2018/0238557 A1 8/2018 Pasqual et al.

2018/0238558 A1 8/2018 Pasqual et al.

2018/0238559 A1 8/2018 Pasqual et al.

2018/0328592 A1 11/2018 Springer et al.

2019/0078792 A1 3/2019 Springer et al.

2019/0086098 A1 3/2019 Springer et al.

2019/0346147 A1 11/2019 Smith et al.

FOREIGN PATENT DOCUMENTS

DE 3833293 4/1989

DE 29911480 9/1999

EP 0223966 A1 6/1987

EP 441364 2/1991

EP 2312218 4/2011

FR 1282084 1/1962

GB 2011769 7/1979

GB 2343352 5/2000

JP S56141527 11/1981

JP S6129645 2/1986

JP H06129645 5/1994

JP H1194258 4/1999

JP 2000283472 10/2000

JP 6129645 5/2013

WO 2018/154377 A2 8/2018

WO 2009/011994 1/2019

* cited by examiner

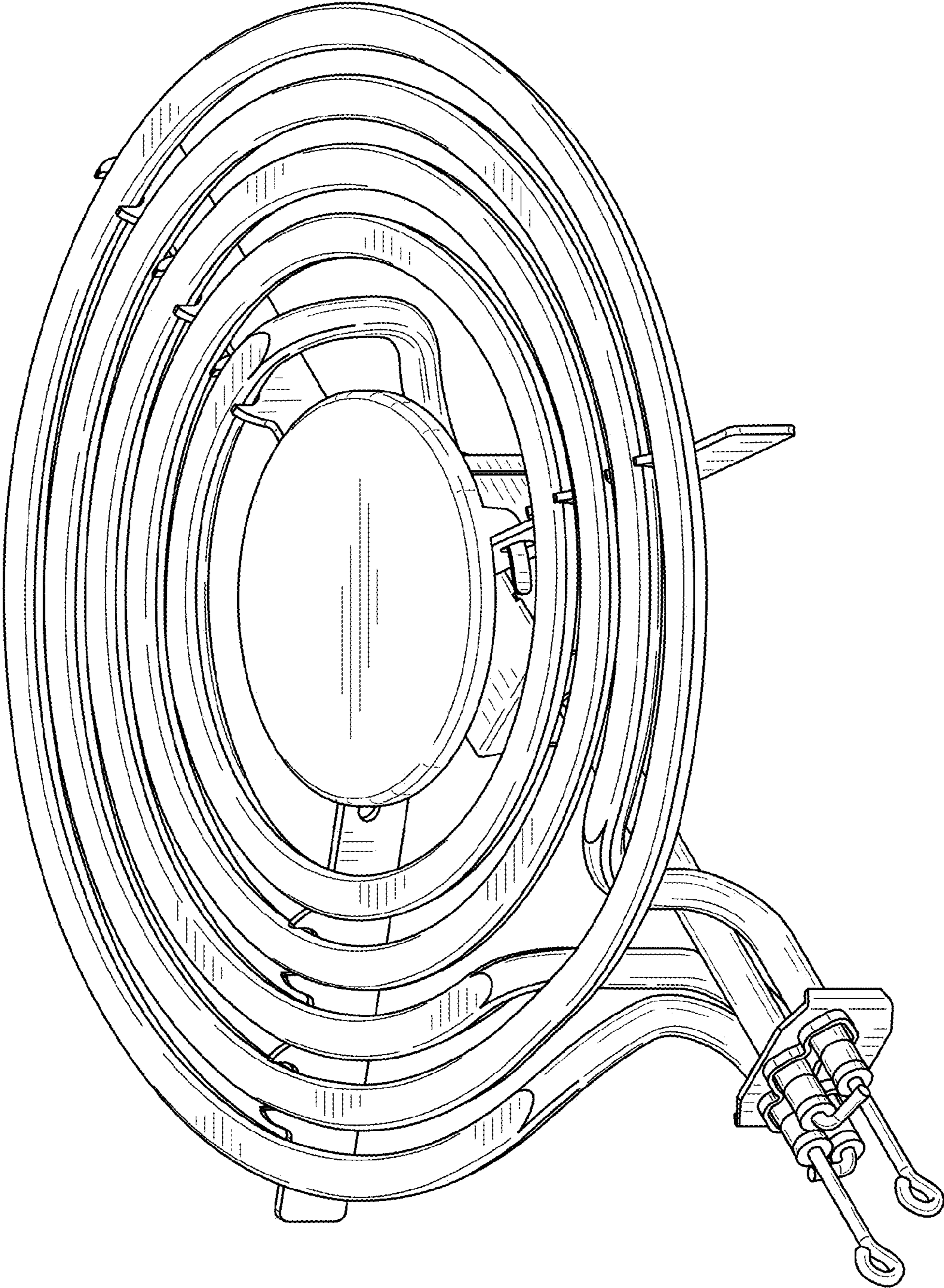


FIG. 1

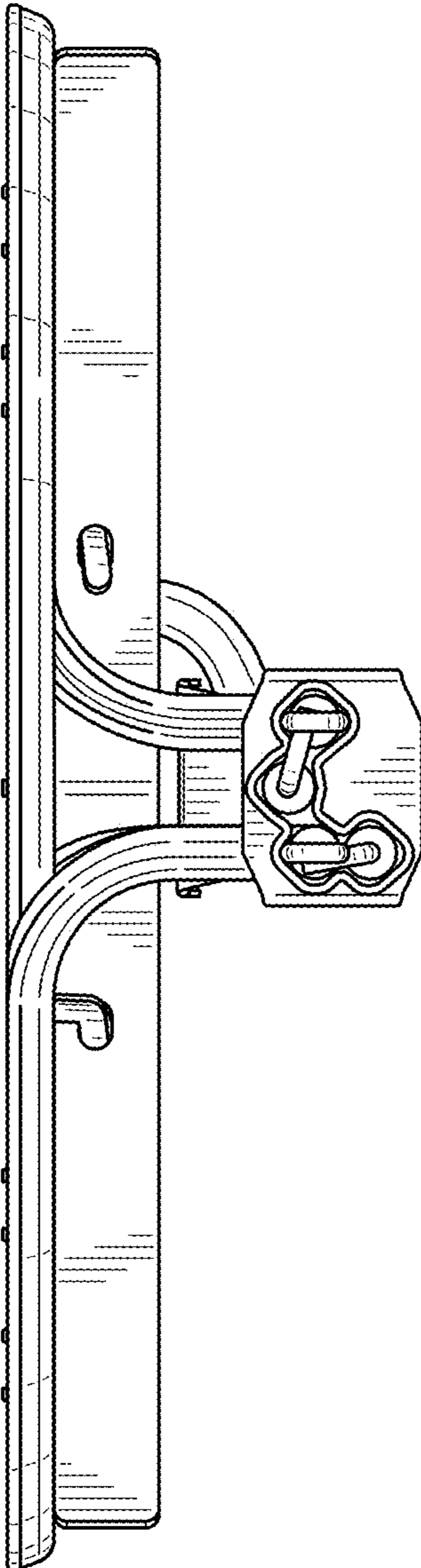


FIG. 2

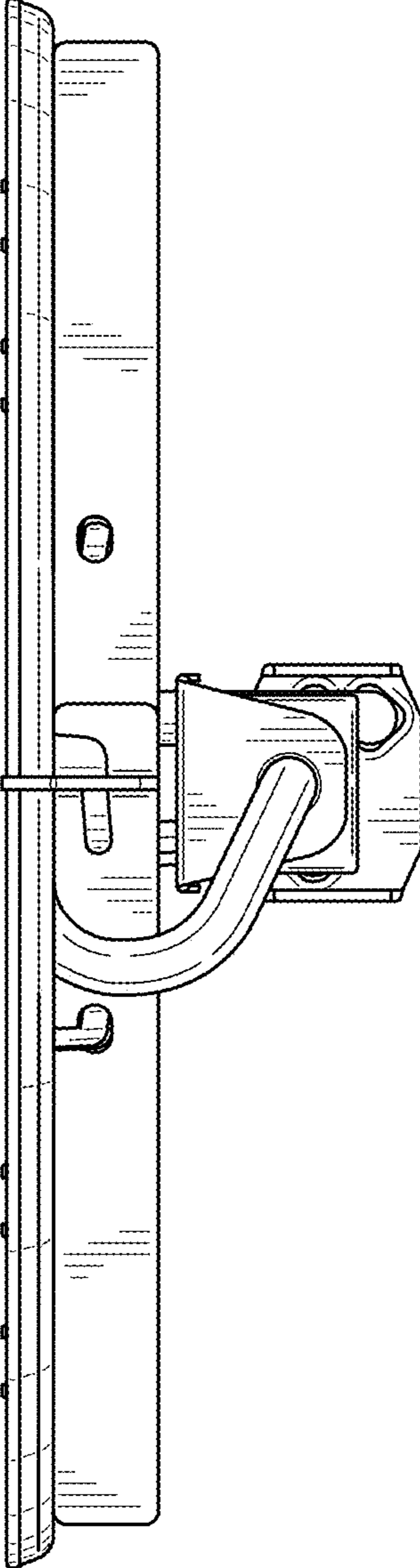


FIG. 3

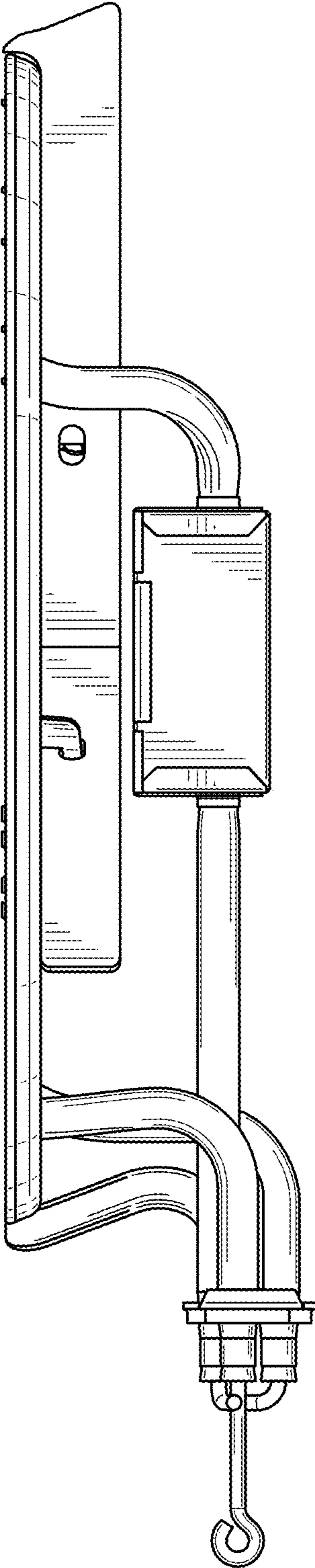


FIG. 4

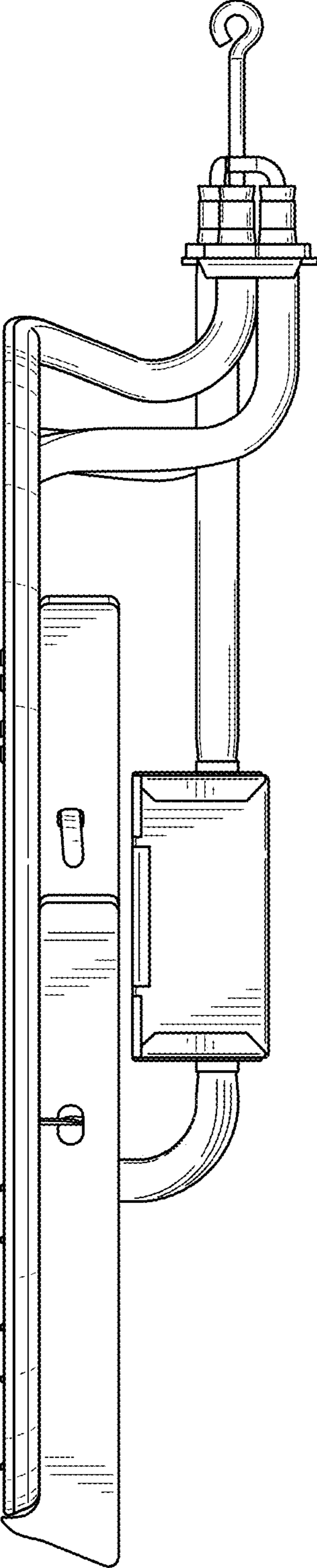


FIG. 5

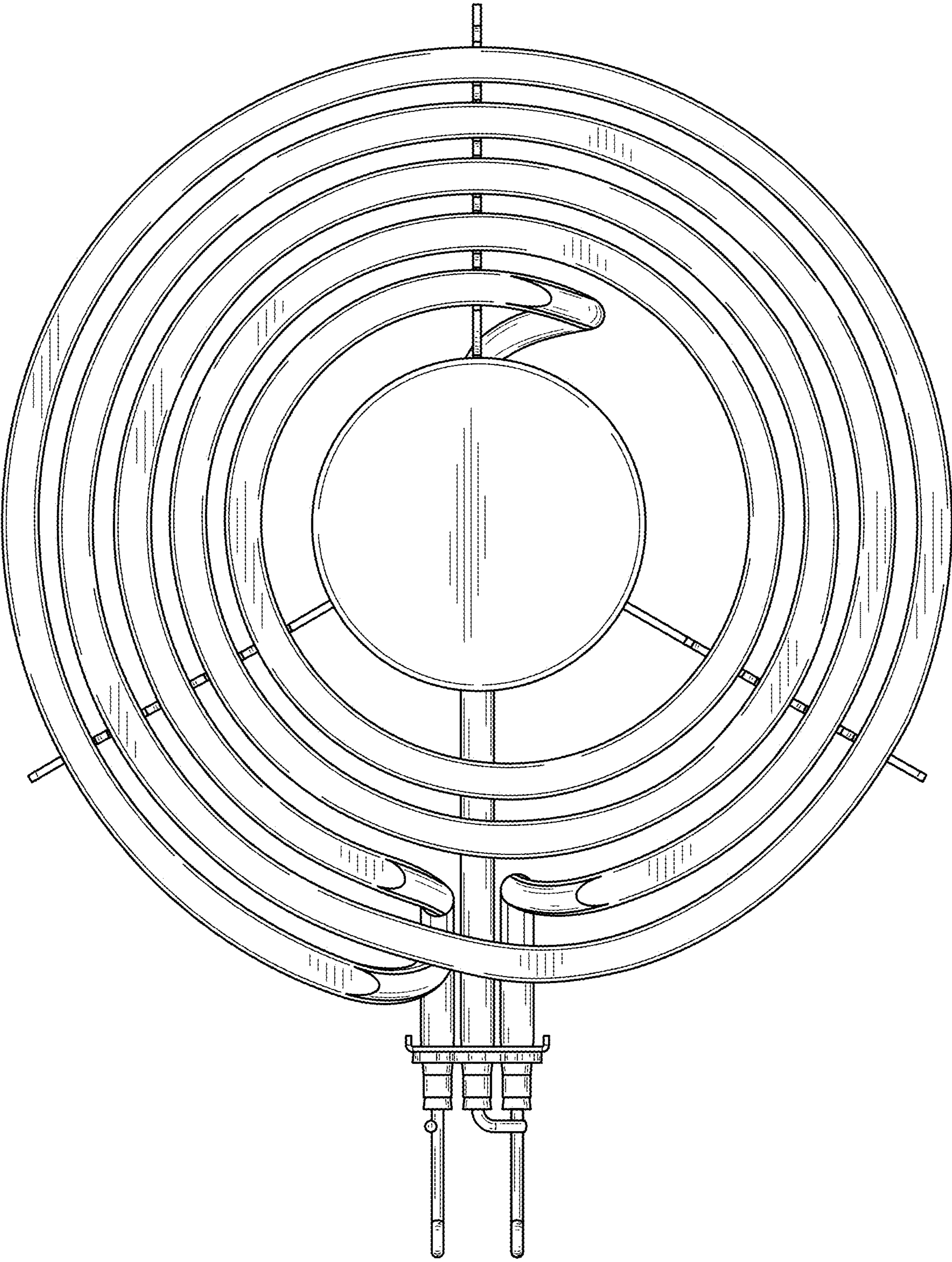


FIG. 6

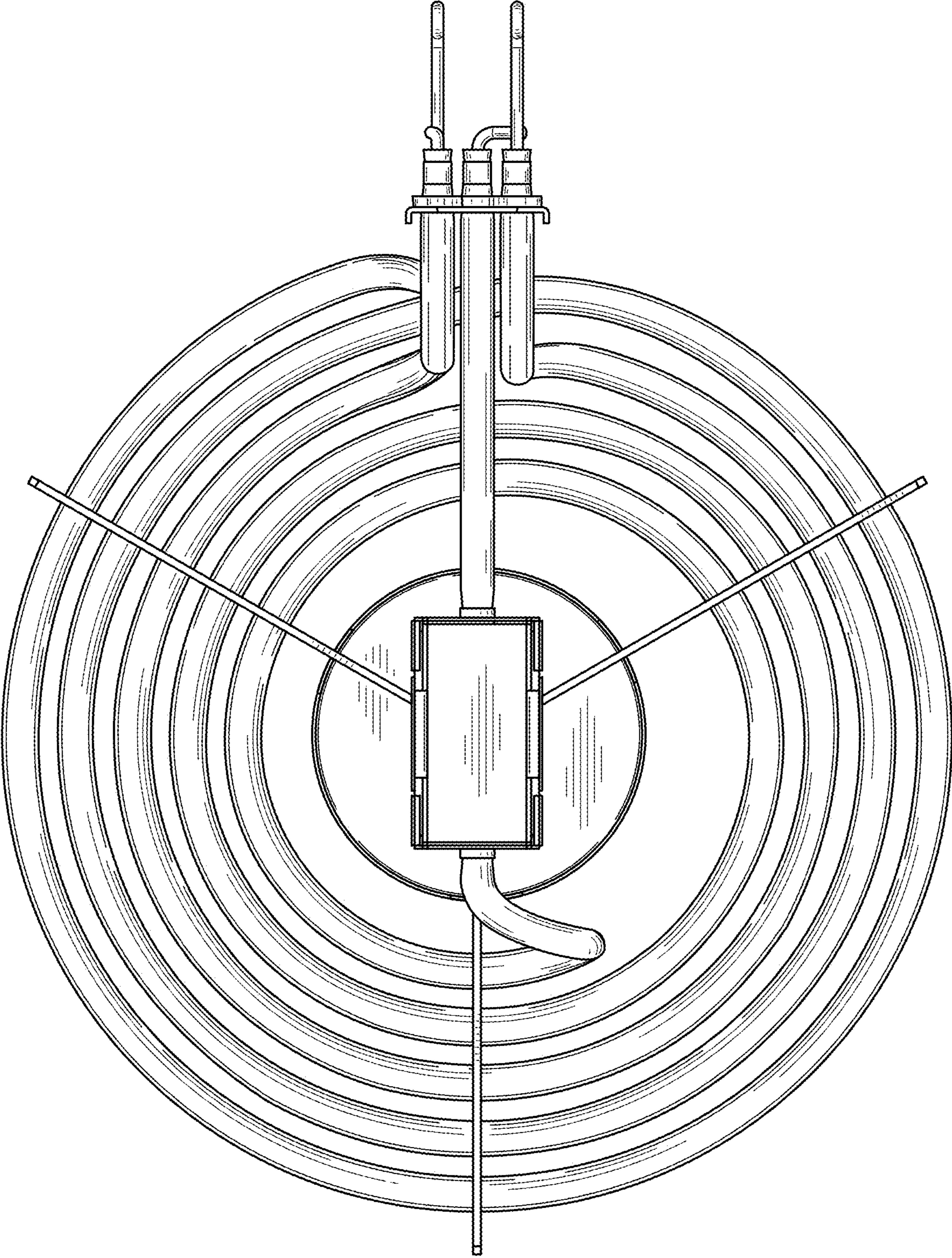


FIG. 7

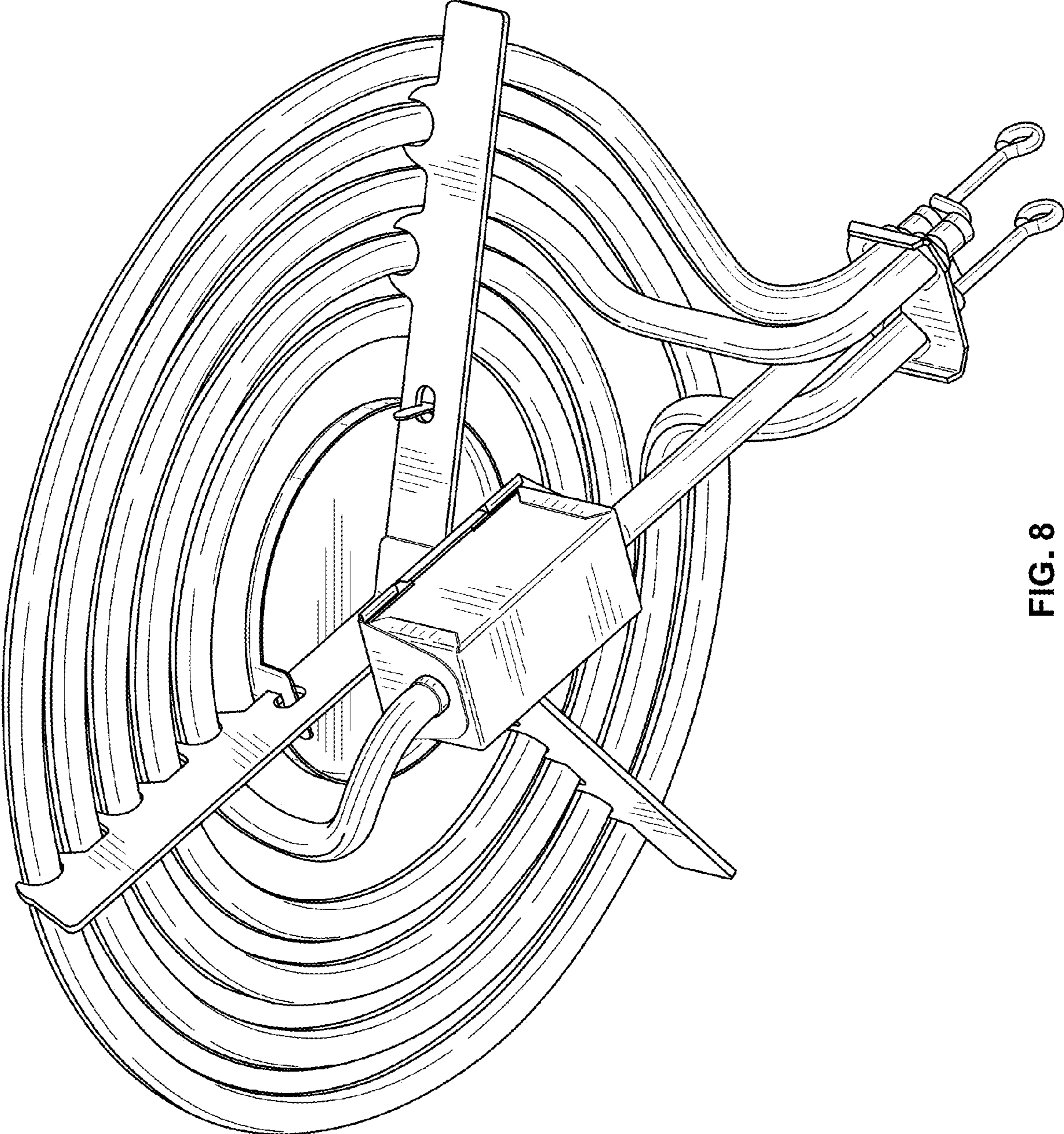


FIG. 8