



US00D955166S

(12) **United States Design Patent** (10) **Patent No.:** **US D955,166 S**  
**Meyers et al.** (45) **Date of Patent:** **\*\* Jun. 21, 2022**

(54) **SPOUT**  
(71) Applicant: **Runway Blue, LLC**, Alpine, UT (US)  
(72) Inventors: **David O. Meyers**, Layton, UT (US);  
**John R. Omdahl, II**, Lindon, UT (US);  
**Daniel Kendall Harden**, Palo Alto, CA (US);  
**Elliot Lucas Ortiz**, San Francisco, CA (US)

5,318,203 A 6/1994 Iaia et al.  
D399,744 S 10/1998 Gross  
D413,514 S 9/1999 Pericard et al.  
D417,845 S 12/1999 Sadlier et al.  
D436,040 S 1/2001 Warner et al.  
D437,223 S 2/2001 Coy et al.  
6,367,670 B1 4/2002 Warner et al.  
D462,009 S 8/2002 Poisson et al.  
D476,892 S 7/2003 Martin et al.

(Continued)

(73) Assignee: **Runway Blue, LLC**, Alpine, UT (US)  
(\*\*) Term: **15 Years**  
(21) Appl. No.: **29/768,922**  
(22) Filed: **Feb. 2, 2021**

**OTHER PUBLICATIONS**

Amazon. Avana Ashbury Stainless Steel Double-Wall Insulated Water Bottle, Reportedly accessed Oct. 16, 2019, [https://www.amazon.com/Avana-Ashbury-Stainless-Double-Wall-Insulated/dp/B07QK9J832/ref=cm\\_c\\_arp\\_d\\_product\\_top?ie=UTF8](https://www.amazon.com/Avana-Ashbury-Stainless-Double-Wall-Insulated/dp/B07QK9J832/ref=cm_c_arp_d_product_top?ie=UTF8).

(Continued)

**Related U.S. Application Data**

(63) Continuation of application No. 29/731,210, filed on Apr. 13, 2020, now Pat. No. Des. 911,104, which is a continuation of application No. 29/602,291, filed on Apr. 28, 2017, now Pat. No. Des. 884,416.

*Primary Examiner* — Andrew Kerr

(74) *Attorney, Agent, or Firm* — Sterne, Kessler, Goldstein & Fox P.L.L.C.

(51) **LOC (13) Cl.** ..... **07-99**  
(52) **U.S. Cl.**  
USPC ..... **D7/398**

(57) **CLAIM**

The ornamental design for a spout, as shown and described.

(58) **Field of Classification Search**  
USPC ... D7/509–511, 396.2, 396, 387, 396.1, 397,  
D7/608, 300.1, 591, 529, 533–536;  
D9/434, 435, 443, 447, 452, 503, 504  
CPC ..... A47G 19/22; A47G 19/2205; A45F 3/16;  
B65D 41/04; B65D 43/02  
See application file for complete search history.

**DESCRIPTION**

FIG. 1 is a top front perspective view of a spout, showing the claimed design;  
FIG. 2 is a top rear perspective view thereof;  
FIG. 3 is a front view thereof;  
FIG. 4 is a rear view thereof;  
FIG. 5 is a right side view thereof;  
FIG. 6 is a left side view thereof;  
FIG. 7 is a top view thereof; and,  
FIG. 8 is a bottom view thereof.

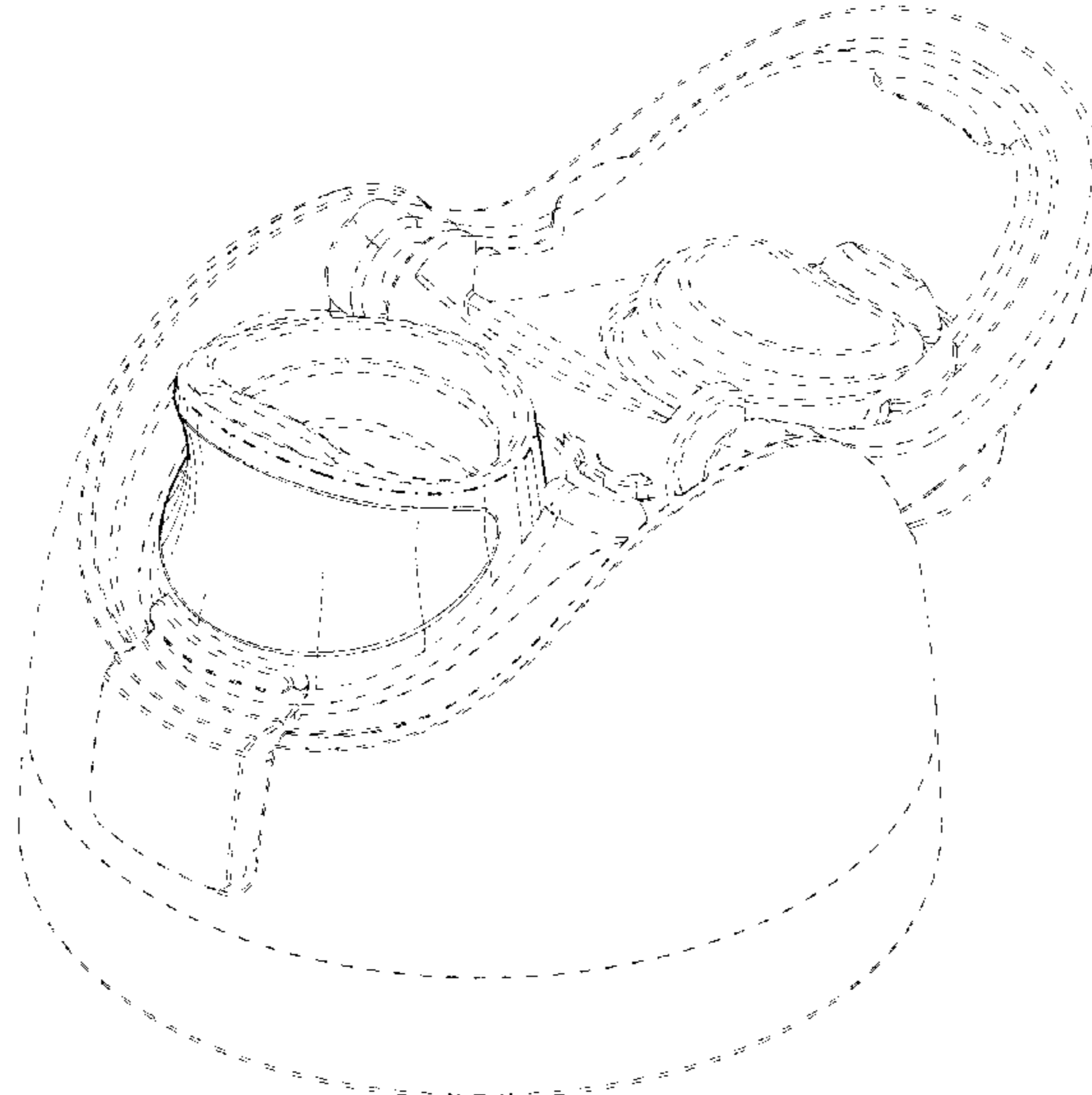
The dashed broken lines illustrate environmental structure and parts of the article that form no part of the claimed design. The dot-dash broken lines illustrate boundaries of the claimed design and form no part of the claimed design.

(56) **References Cited**

**U.S. PATENT DOCUMENTS**

2,573,378 A 10/1951 Zurlinden  
3,770,160 A 11/1973 Flider  
D292,489 S 10/1987 Kowollik et al.  
4,948,009 A 8/1990 Sawatani

**1 Claim, 8 Drawing Sheets**



(56)

References Cited

U.S. PATENT DOCUMENTS

D530,202 S 10/2006 Herald et al.  
 7,124,917 B2 10/2006 Lee  
 D532,302 S 11/2006 Moretti  
 D547,605 S 7/2007 Edelstein et al.  
 D547,607 S 7/2007 Forsman  
 D562,065 S 2/2008 Smaldone  
 D586,184 S 2/2009 Miller et al.  
 D588,915 S 3/2009 Lohmlan et al.  
 D591,595 S 5/2009 Tedford, Jr.  
 D601,017 S 9/2009 Hungerford  
 7,717,284 B2 5/2010 Giusti  
 D626,837 S 11/2010 Meyers et al.  
 D626,838 S 11/2010 Meyers et al.  
 D628,887 S 12/2010 Groubert et al.  
 D628,890 S 12/2010 Groubert et al.  
 D628,893 S 12/2010 Groubert et al.  
 D636,672 S 4/2011 Lohmlan et al.  
 D649,878 S 12/2011 Weiss  
 D649,879 S 12/2011 Gullickson et al.  
 D652,256 S 1/2012 Eyal  
 8,146,770 B2 4/2012 Newman  
 D660,696 S 5/2012 Weiss  
 D666,490 S 9/2012 Leon  
 D677,121 S 3/2013 Meyers et al.  
 D679,541 S 4/2013 Samartgis  
 D682,034 S 5/2013 El-Saden et al.  
 D686,870 S 7/2013 Young  
 D696,551 S 12/2013 Meyers et al.  
 D696,941 S 1/2014 Kim  
 D696,942 S 1/2014 Kim  
 D696,943 S 1/2014 Kim  
 D704,053 S 5/2014 Kim  
 D705,058 S 5/2014 Kim  
 D707,124 S 6/2014 Blain et al.  
 8,770,435 B2 7/2014 Weiss  
 D711,230 S 8/2014 den Boer  
 D713,723 S 9/2014 den Boer  
 D713,724 S 9/2014 den Boer  
 8,833,582 B1 9/2014 Meyers  
 8,833,586 B2 9/2014 Meyers et al.  
 D716,141 S 10/2014 Rush  
 D716,657 S 11/2014 Caneer  
 D719,780 S 12/2014 Sullivan  
 D721,275 S 1/2015 Thijssen et al.  
 D721,276 S 1/2015 Herbst  
 D723,328 S 3/2015 Steel  
 D723,332 S 3/2015 Steel  
 D727,093 S 4/2015 Lapsker  
 D729,569 S 5/2015 Herbst et al.  
 9,027,774 B2 5/2015 Palmer  
 D730,694 S 6/2015 Elsaden et al.  
 D734,152 S 7/2015 Hager et al.  
 D737,139 S 8/2015 Sokoly  
 D739,183 S 9/2015 Lane  
 D740,605 S 10/2015 Wodka et al.  
 D741,637 S 10/2015 Palermo et al.  
 D742,230 S 11/2015 Charles  
 D745,827 S 12/2015 Sorensen et al.  
 D747,136 S 1/2016 Lane et al.  
 D750,490 S 3/2016 Moore et al.  
 D754,000 S 4/2016 Wang  
 D754,535 S 4/2016 Kim  
 D754,540 S 4/2016 Wang

D758,127 S 6/2016 Zhao  
 D761,649 S 7/2016 Buck  
 9,392,893 B2 7/2016 Sorensen et al.  
 D766,084 S \* 9/2016 Jiang ..... D9/448  
 D768,491 S 10/2016 Sorensen et al.  
 D777,508 S \* 1/2017 Goodwin ..... D7/392.1  
 D781,703 S 3/2017 Strachan  
 D782,310 S 3/2017 Li  
 D793,154 S 8/2017 Sorensen et al.  
 9,790,007 B2 10/2017 Sorensen et al.  
 D806,469 S 1/2018 Palmer  
 D812,419 S \* 3/2018 Yao ..... D7/392.1  
 D814,855 S 4/2018 Hammer  
 9,944,435 B2 4/2018 Mithal  
 D822,484 S 7/2018 D'Amato  
 D827,377 S \* 9/2018 Silsby ..... D7/510  
 D831,482 S 10/2018 Meyers  
 10,172,488 B2 1/2019 Sorensen et al.  
 D852,625 S 7/2019 Meyers  
 D855,402 S 8/2019 Steinmann  
 D861,419 S 10/2019 Omdahl et al.  
 D862,224 S 10/2019 Meyers  
 D863,877 S 10/2019 Meyers  
 D866,250 S \* 11/2019 Barber ..... D7/392.1  
 D878,853 S 3/2020 Omdahl, II et al.  
 D884,416 S 5/2020 Meyers et al.  
 D886,521 S 6/2020 Meyers  
 D887,267 S 6/2020 Meyers  
 D897,203 S \* 9/2020 Furner ..... D9/448  
 D898,524 S \* 10/2020 Mutch ..... D7/598  
 D900,605 S \* 11/2020 Li ..... D9/447  
 D906,757 S \* 1/2021 Omdahl, II ..... D7/396.2  
 D922,138 S \* 6/2021 Chen ..... D7/392.1  
 D925,279 S \* 7/2021 Wang ..... D7/396.2  
 D932,827 S \* 10/2021 Colegate ..... D7/392.1  
 2002/0179604 A1 12/2002 Germain et al.  
 2003/0052126 A1 3/2003 Zettle et al.  
 2006/0226110 A1 10/2006 Choi et al.  
 2008/0099514 A1 5/2008 Carter et al.  
 2008/0257899 A1 10/2008 Whitaker et al.  
 2010/0224631 A1 9/2010 Roth et al.  
 2011/0017760 A1 1/2011 Newman  
 2011/0139800 A1 6/2011 Urban  
 2011/0253733 A1 10/2011 Meyers et al.  
 2012/0055818 A1 3/2012 Zimmem  
 2012/0061398 A1 3/2012 Nilsson  
 2013/0062304 A1 3/2013 Meyers et al.  
 2014/0069918 A1 3/2014 Meyers et al.  
 2014/0299614 A1 10/2014 Mithal  
 2014/0263324 A1 11/2014 Latham et al.  
 2014/0360908 A1 12/2014 Sorensen et al.  
 2015/0014322 A1 1/2015 Kim  
 2015/0201773 A1 7/2015 Sorensen et al.  
 2015/0201774 A1 7/2015 Sorensen et al.  
 2015/0201775 A1 7/2015 Sorensen et al.  
 2015/0329255 A1 11/2015 Rzepecki  
 2016/0007780 A1 1/2016 Dolan et al.  
 2017/0313478 A1 11/2017 El-Saden et al.  
 2018/0050850 A1 2/2018 Murosky et al.

OTHER PUBLICATIONS

Amazon. Polar Bottle Thermaluxe Half-Twist Cap, <https://www.amazon.com/Polar-Bottle-Thermaluxe-Half-Twist-Cap/dp/B07CQ4XDNS>. Reportedly accessed May 14, 2019.

\* cited by examiner



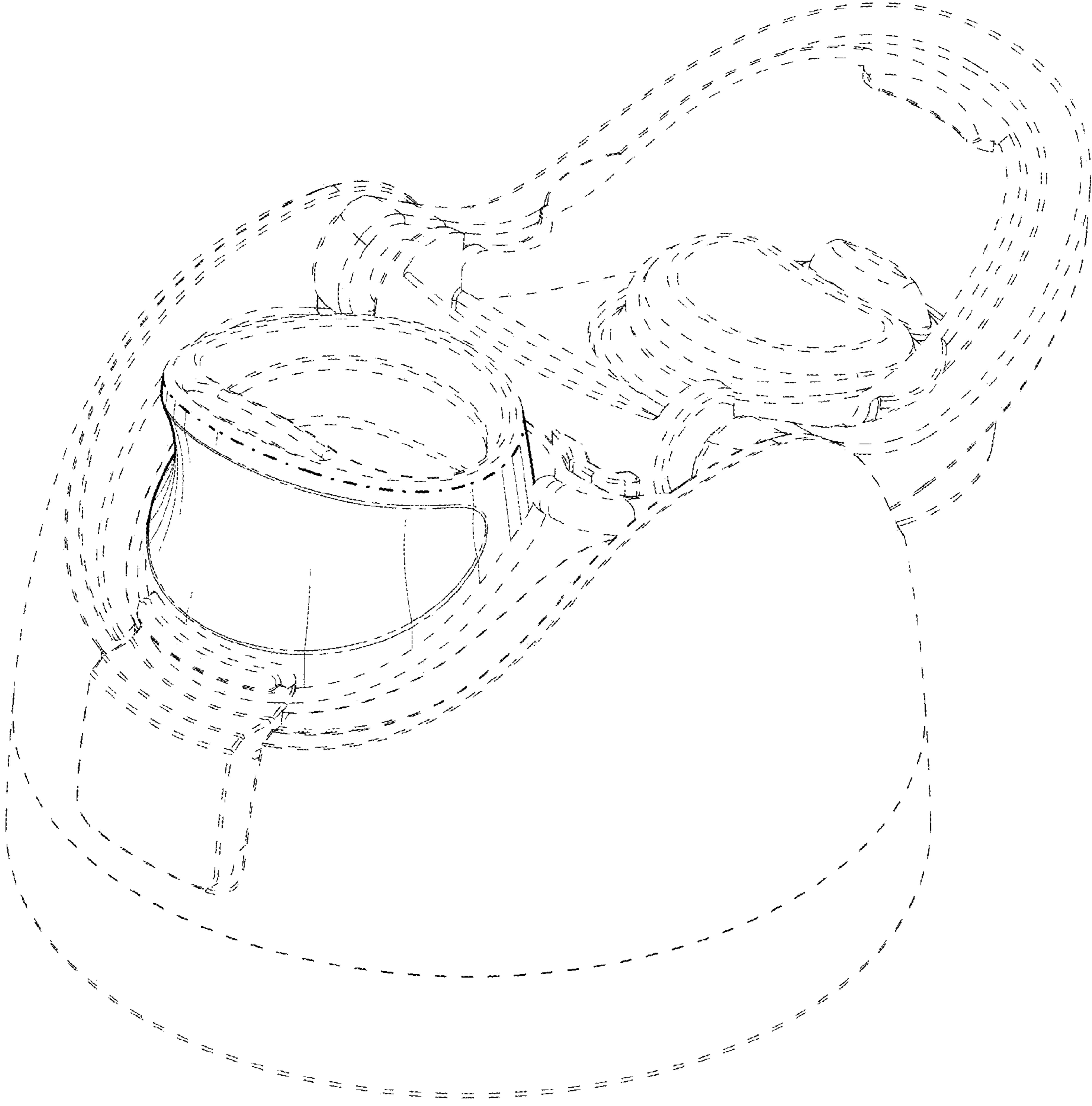


FIG. 1



**FIG. 2**

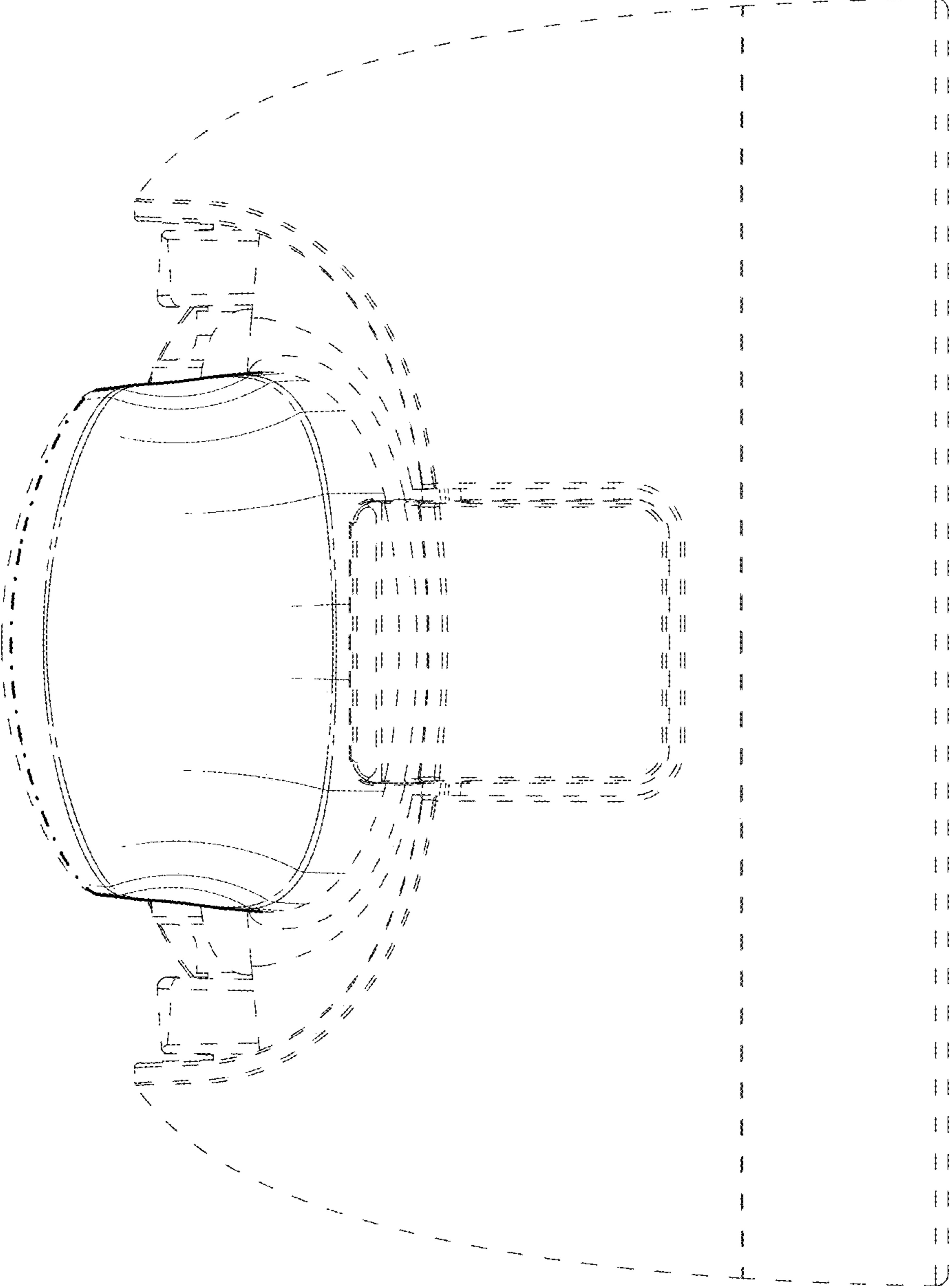


FIG. 3

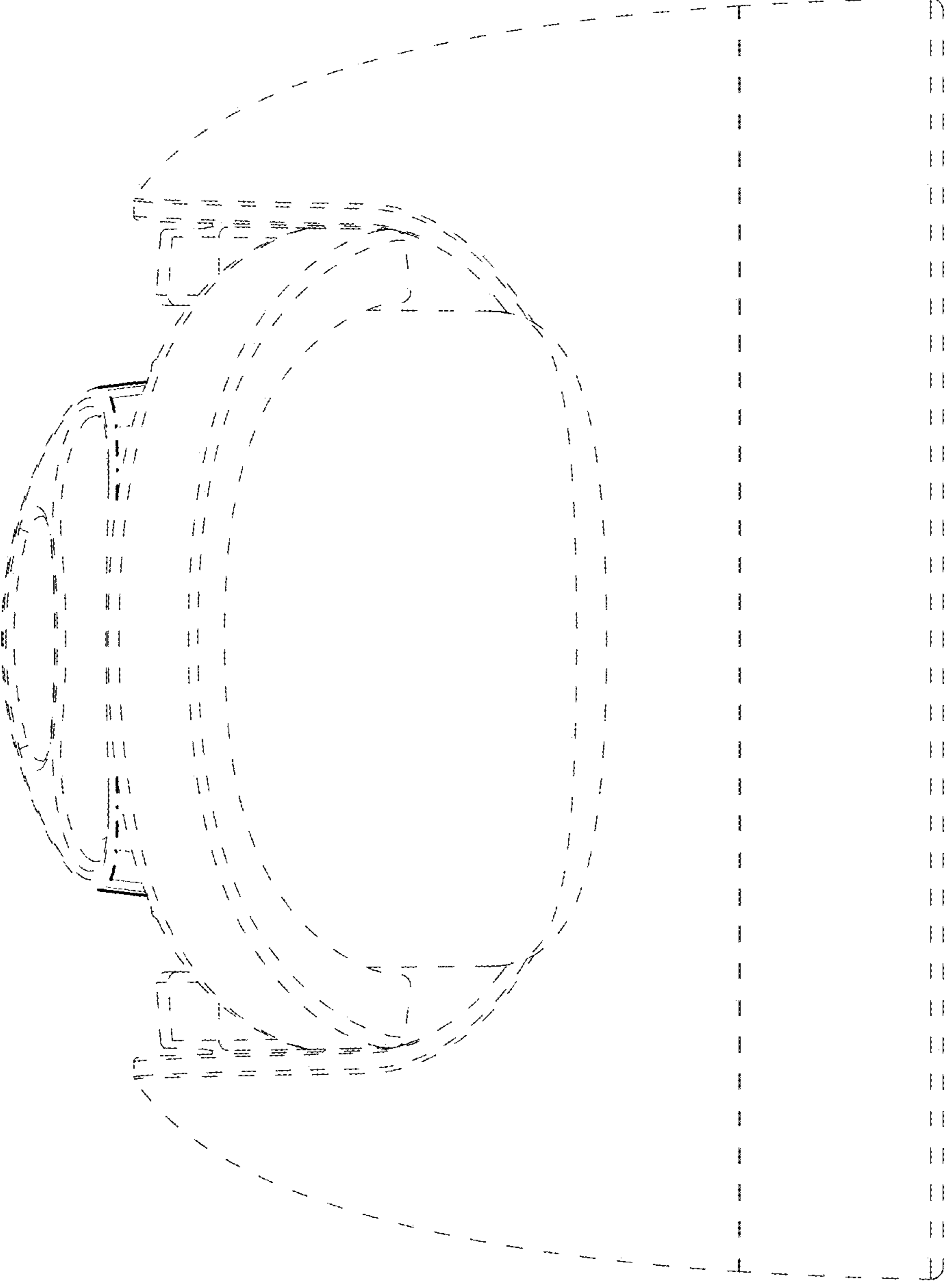


FIG. 4

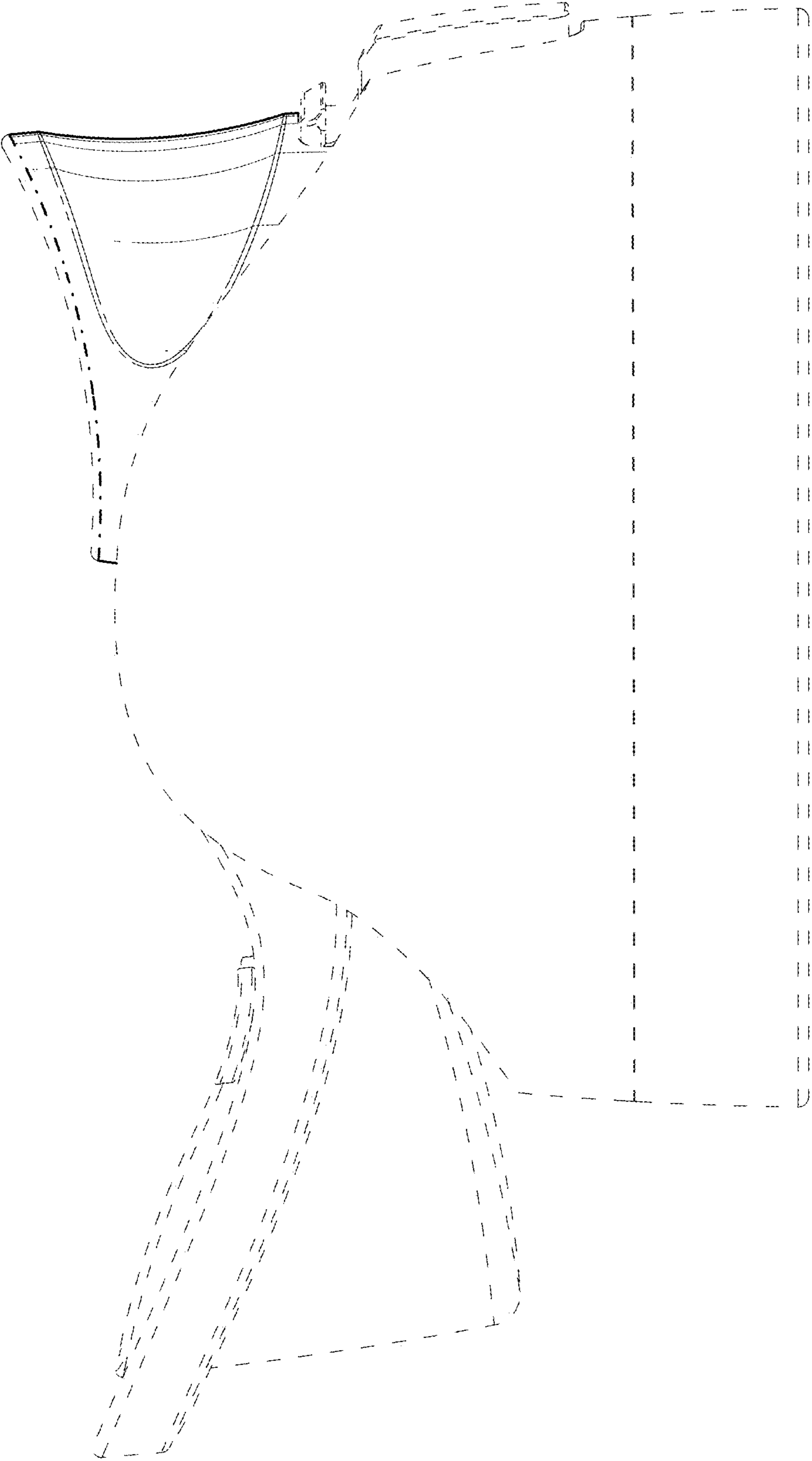


FIG. 5

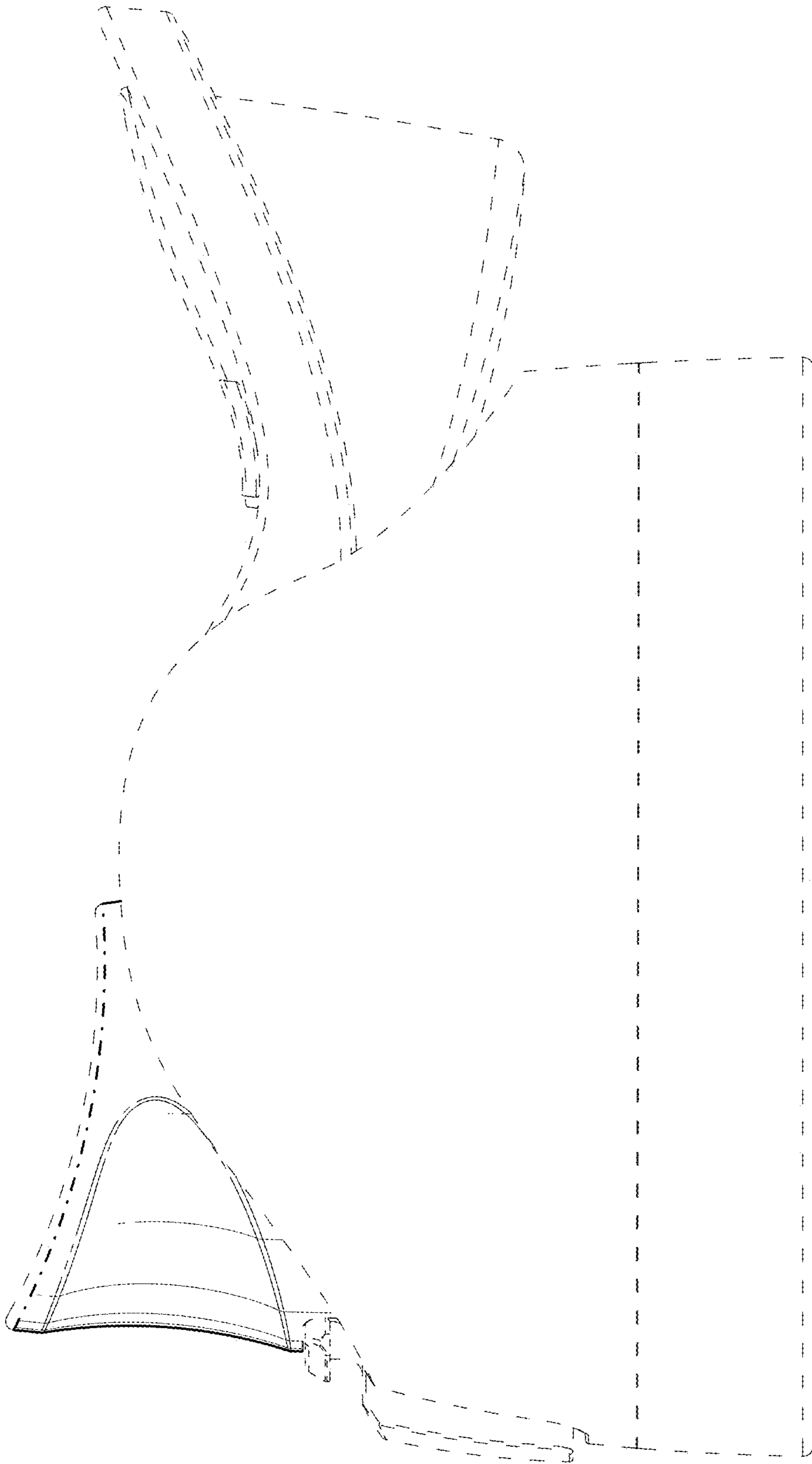


FIG. 6



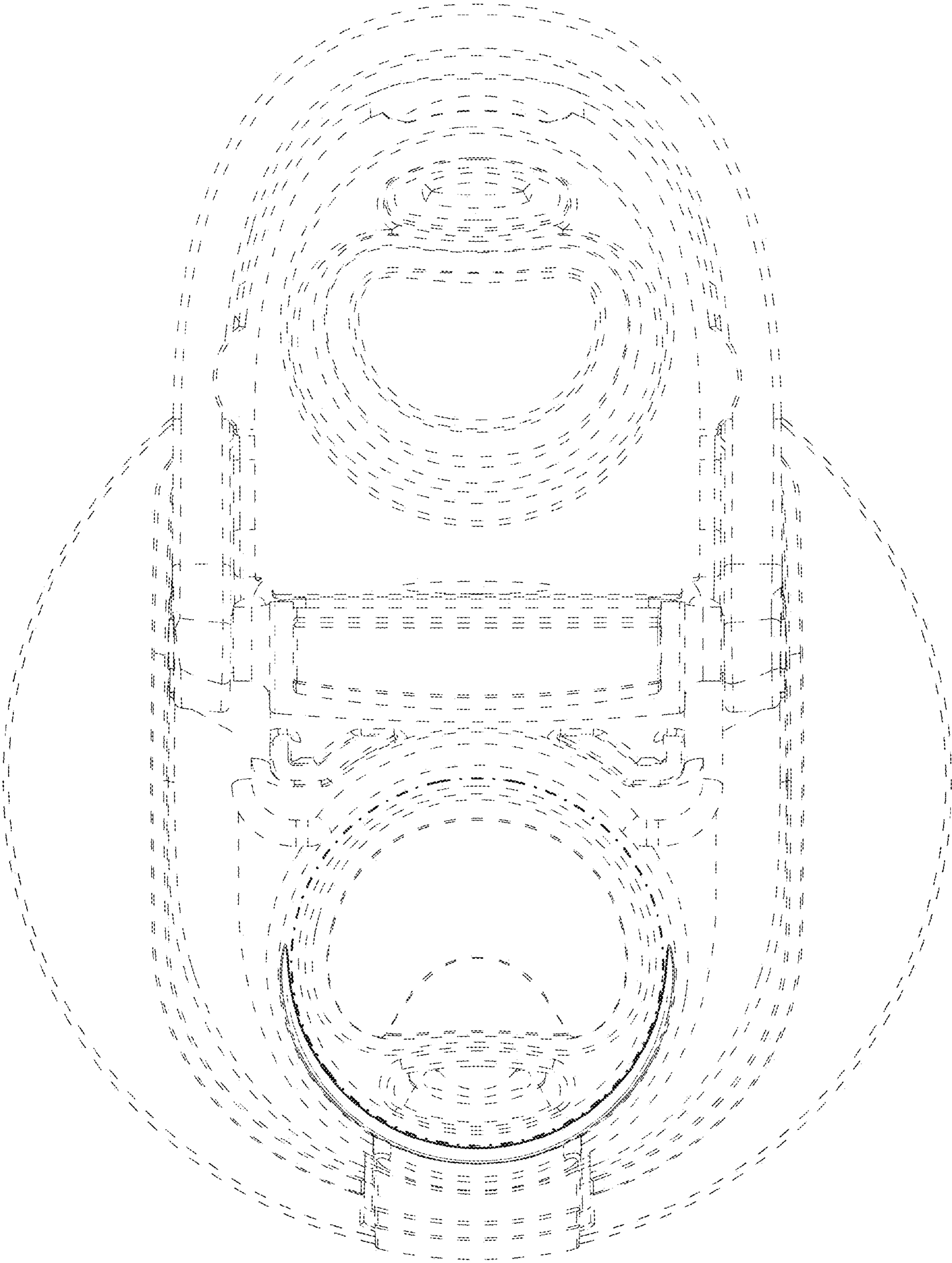
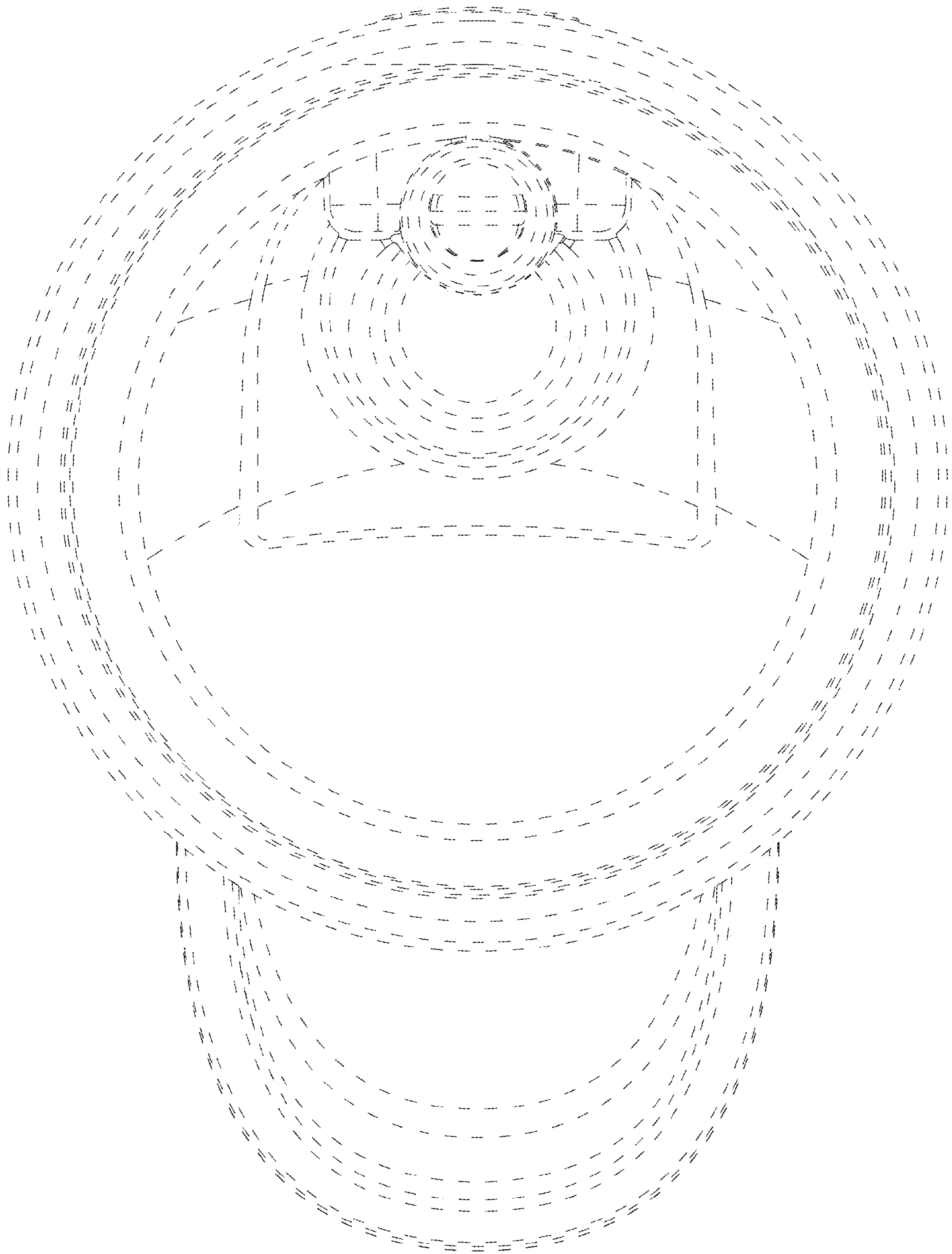


FIG. 7



**FIG. 8**