



US00D955163S

(12) **United States Design Patent**
Wu

(10) **Patent No.:** **US D955,163 S**
(45) **Date of Patent:** **** Jun. 21, 2022**

(54) **STRAW LID**

(71) Applicant: **SHENZHEN GEXINNUO INTERNATIONAL TRADE CO., LTD.**, Shenzhen (CN)

(72) Inventor: **Zekai Wu**, Shenzhen (CN)

(73) Assignee: **SHENZHEN GEXINNUO INTERNATIONAL TRADE CO., LTD.**, Shenzhen (CN)

(**) Term: **15 Years**

(21) Appl. No.: **29/698,356**

(22) Filed: **Jul. 16, 2019**

(51) **LOC (13) Cl.** **07-01**

(52) **U.S. Cl.**
USPC **D7/392.1**; D7/396.2

(58) **Field of Classification Search**
USPC D7/507, 509, 510, 511, 512, 523, 532, D7/529, 531, 392.1, 396.2, 396.6; D9/435, 449, 436
CPC A47G 19/22; A47G 19/2288; A47G 19/2205; A47G 19/2277; A47G 19/2211; A45F 3/20
See application file for complete search history.

(56) **References Cited**

U.S. PATENT DOCUMENTS

- D700,014 S * 2/2014 Zeanah D7/510
- D781,104 S * 3/2017 Cerasani D7/510
- D808,713 S * 1/2018 Rane D7/396.2
- D811,162 S * 2/2018 Rane D7/396.2
- D818,317 S * 5/2018 Fu D7/510
- D821,809 S * 7/2018 Rane D7/396.2
- D828,094 S * 9/2018 Jackson D7/511
- D838,549 S * 1/2019 Gu D7/510
- D870,508 S * 12/2019 Palkon D7/392.1
- D897,781 S * 10/2020 Hirsch D7/608
- D899,189 S * 10/2020 Pan D7/510

- D899,850 S * 10/2020 Xie D7/392.1
- D900,537 S * 11/2020 Yao D7/392.1
- D903,403 S * 12/2020 Ames D7/392
- D911,101 S * 2/2021 Fang D7/392.1

(Continued)

OTHER PUBLICATIONS

Yeti Rambler Jr. 12 oz Kids Bottle, with Straw Cap by YETI Authorized www.amazon.com/dp/B07VJJCJDW/ref=cm_sw_em_r_mt_dp_FQAZSHM7T646P9366H1Q?_encoding=UTF8&psc=1 Aug. 2019 (Year: 2019).*

(Continued)

Primary Examiner — Jae Liang

(74) *Attorney, Agent, or Firm* — Law Offices of Steven W. Weinrieb

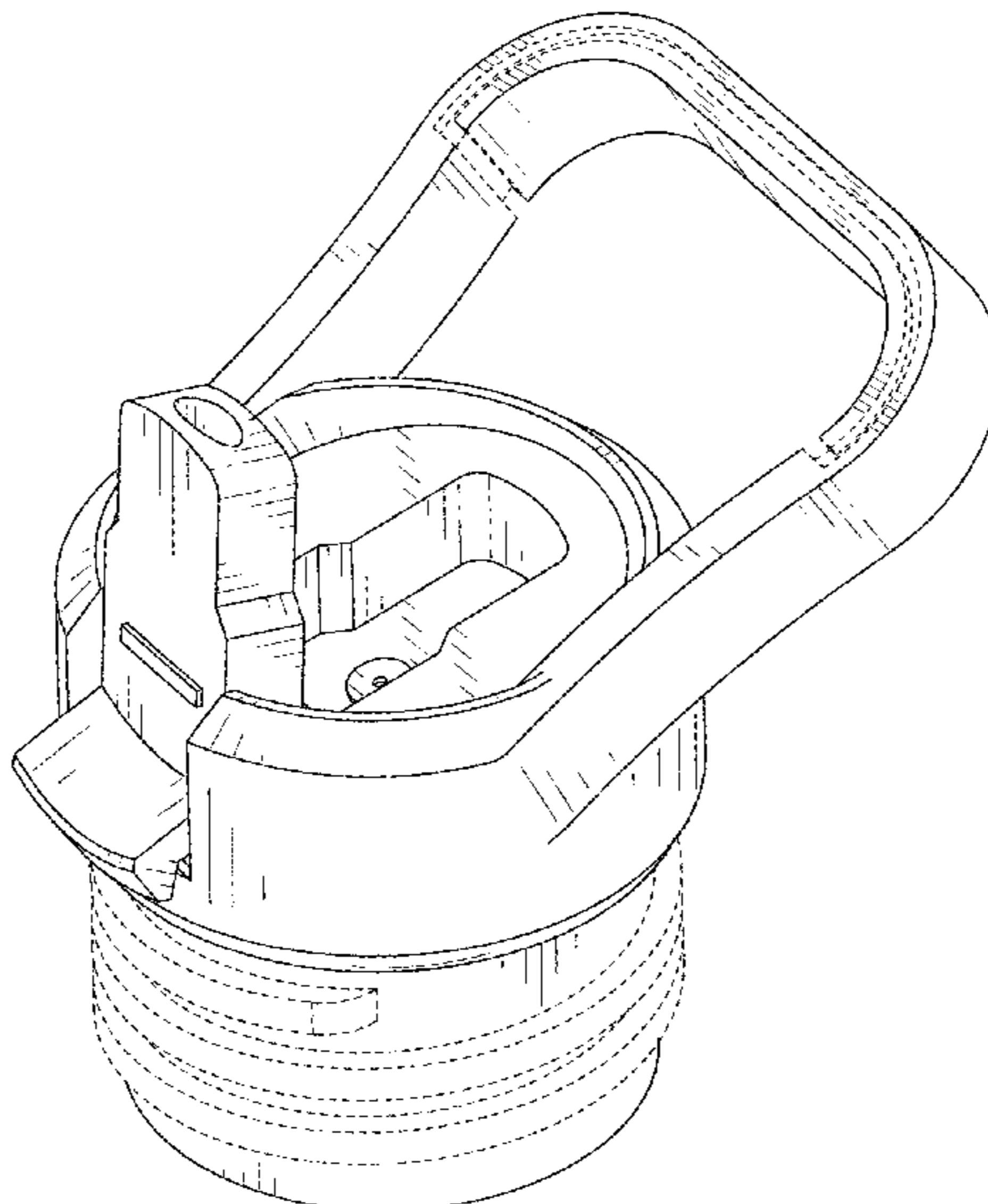
(57) **CLAIM**

The ornamental design for a straw lid, as shown and described.

DESCRIPTION

FIG. 1 is a front, right side, top perspective view of a straw lid showing my new design;
 FIG. 2 is a rear, left side, bottom perspective view thereof;
 FIG. 3 is a front elevational view;
 FIG. 4 is a rear elevational view thereof;
 FIG. 5 is a left side elevational view thereof;
 FIG. 6 is a right side elevational view thereof;
 FIG. 7 is a top plan view thereof;
 FIG. 8 is a bottom plan view thereof; and,
 FIG. 9 is a front, right side, top perspective view thereof with the straw holder implement of the straw lid shown in its closed position.
 The broken lines immediately adjacent to the claimed portions are boundaries, all other broken lines are environmental structures; all the broken lines form no part of the claimed design.

1 Claim, 9 Drawing Sheets



(56)

References Cited

U.S. PATENT DOCUMENTS

D915,821 S * 4/2021 Ludolph D7/396.2
D916,560 S * 4/2021 Wu D7/392.1
D923,394 S * 6/2021 Gu D7/392.1
D923,396 S * 6/2021 Lin D7/392.1
D924,624 S * 7/2021 Huang D7/392.1
D925,275 S * 7/2021 Liu D7/392.1
2014/0048511 A1* 2/2014 El-Saden A47G 19/2266
215/389

OTHER PUBLICATIONS

GeekSpark Straw Lid Cap, Compatible with Yeti Rambler Water Bottle https://www.amazon.com/dp/B08574H4CL/ref=cm_sw_em_r_mt_dp_FS551QDQ58AV46QYEQJ1?_encoding=UTF8&psc=1 Oct. 2020 (Year: 2020).*

CHEETAH Straw Lid for Yeti Rambler Water Bottle https://www.amazon.com/dp/B092HK51RM/ref=cm_sw_em_r_mt_dp_RQMT8PYBVK0FXHPCVZPE?_encoding=UTF8&psc=1 May 2020 (Year: 2020).*

* cited by examiner

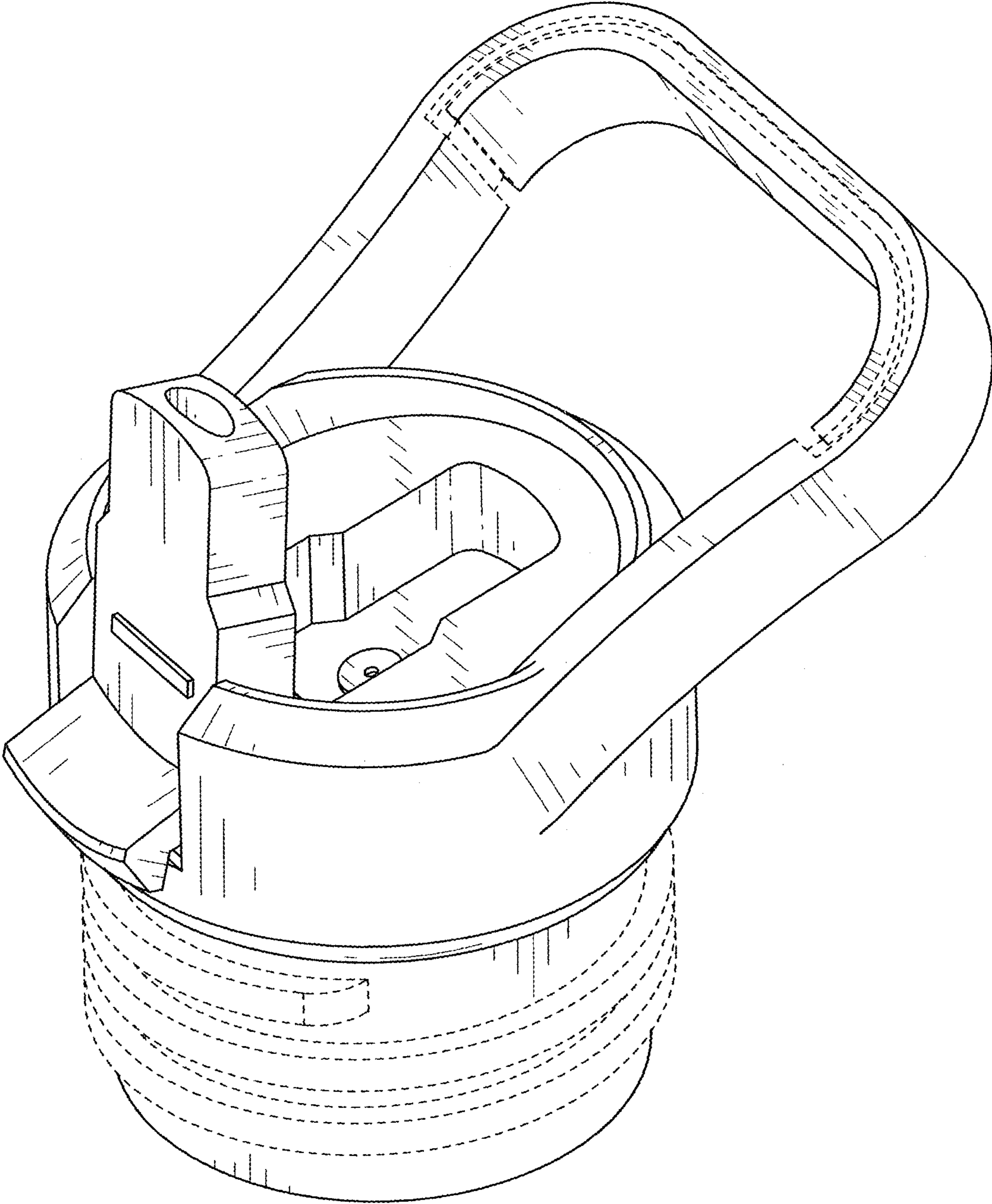


FIG. 1

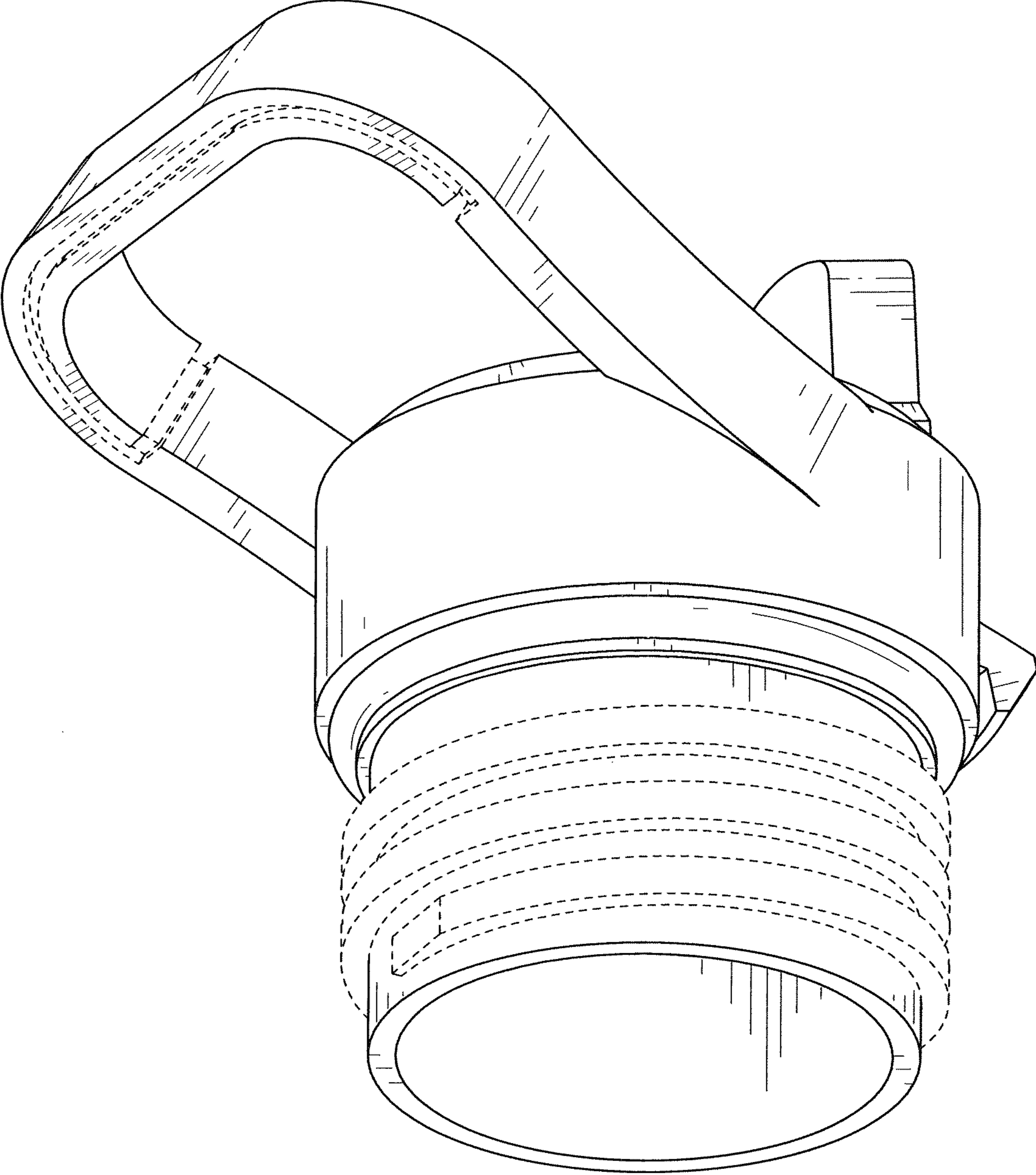


FIG. 2

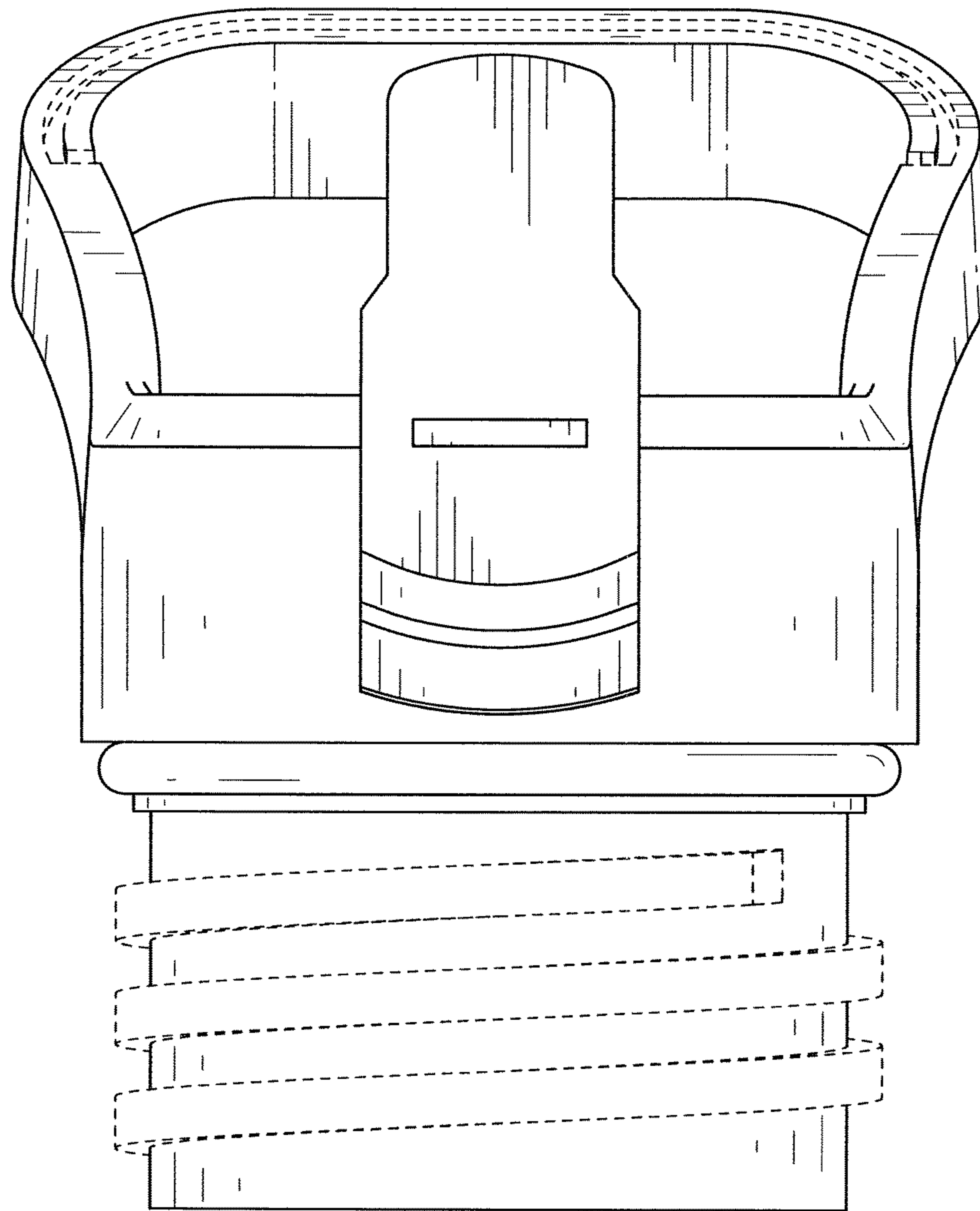


FIG. 3

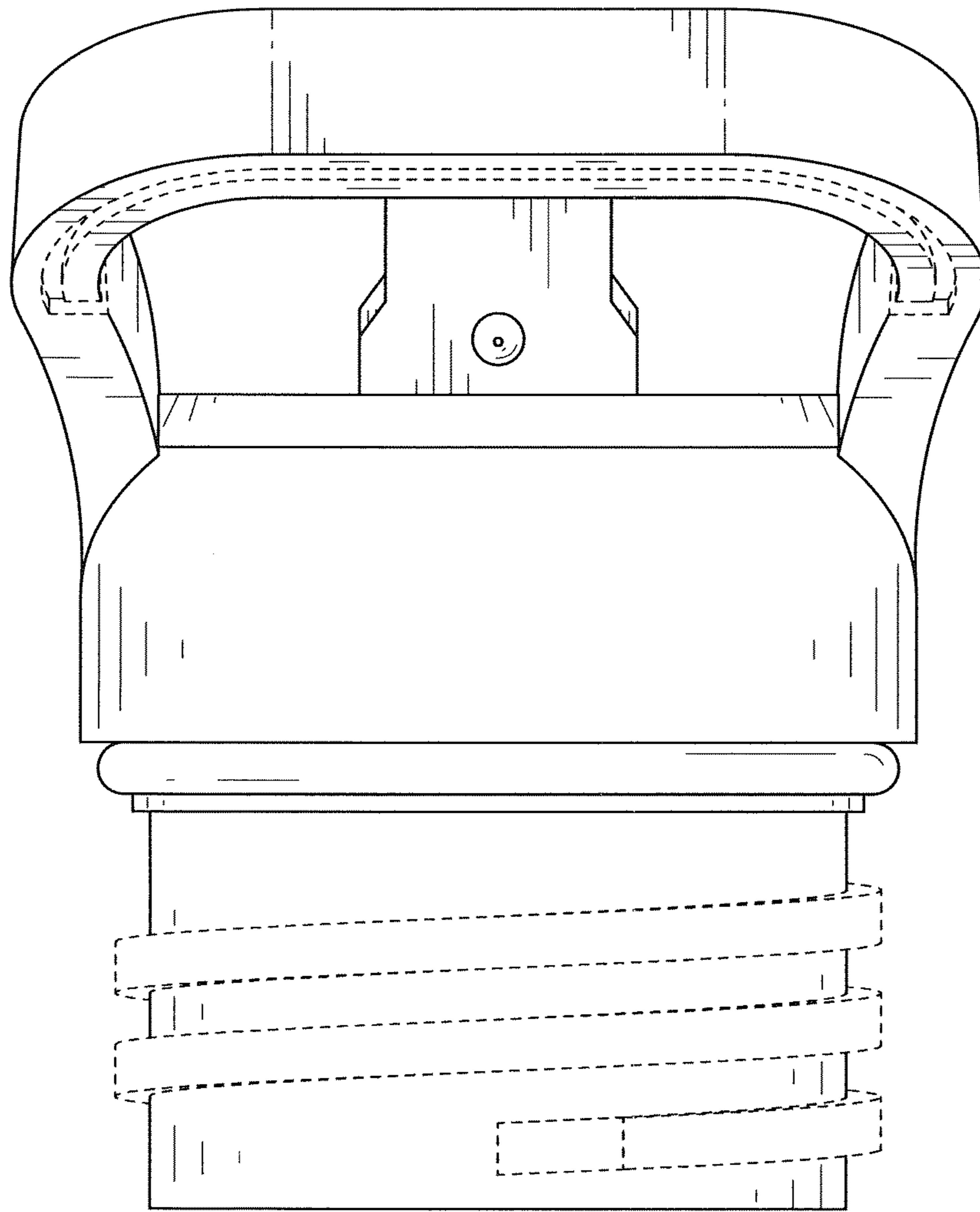


FIG. 4

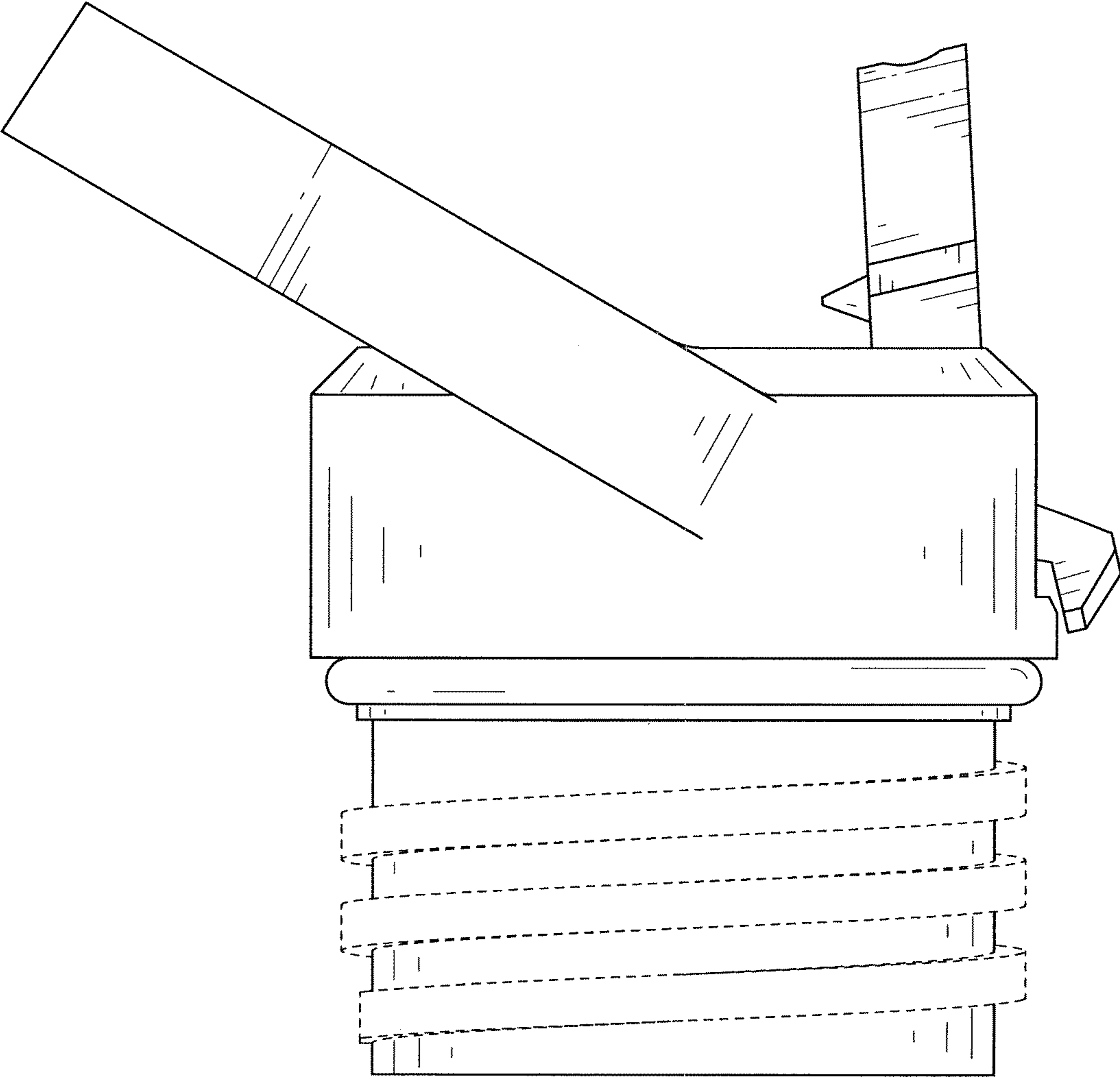


FIG. 5

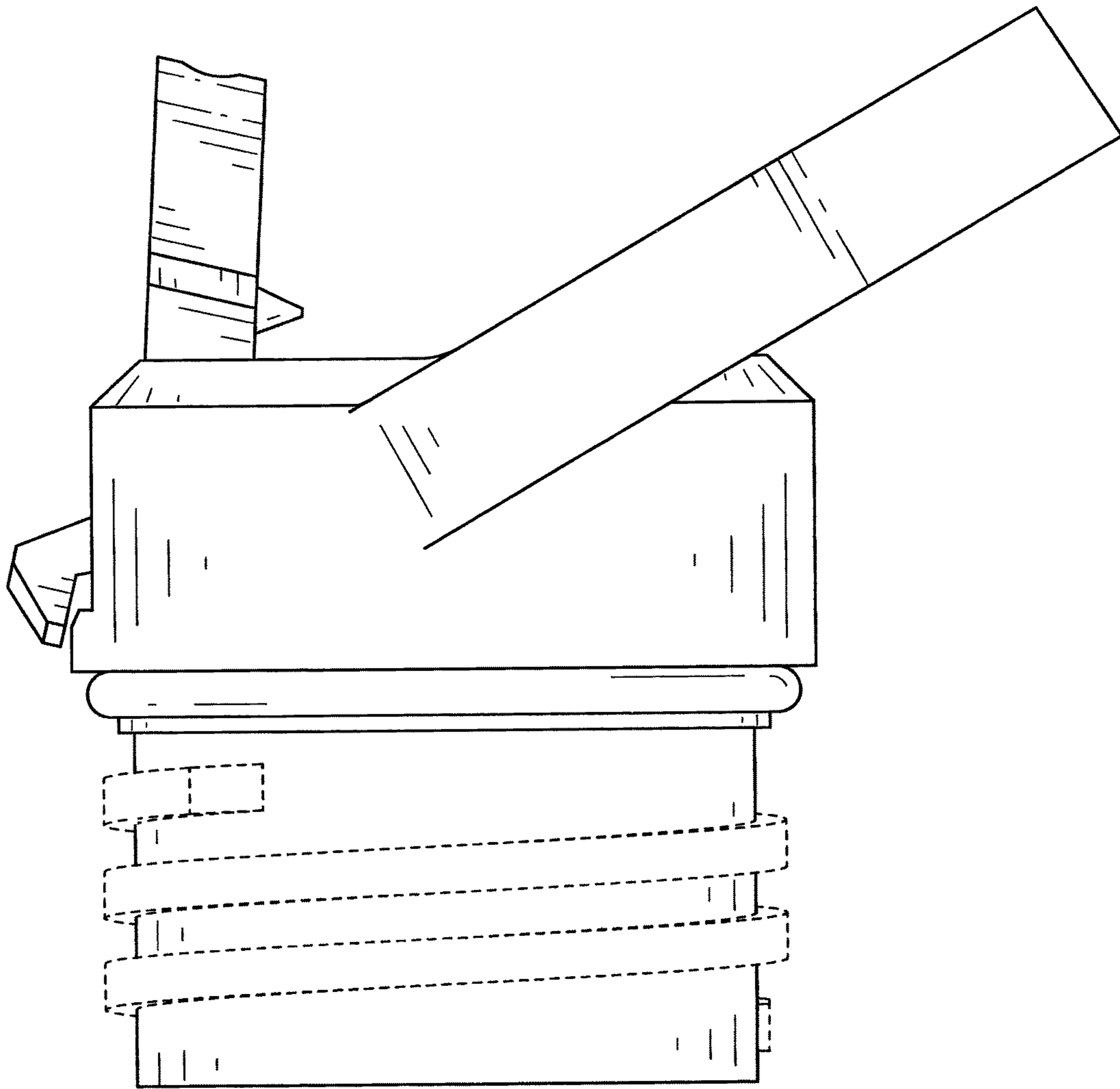


FIG. 6

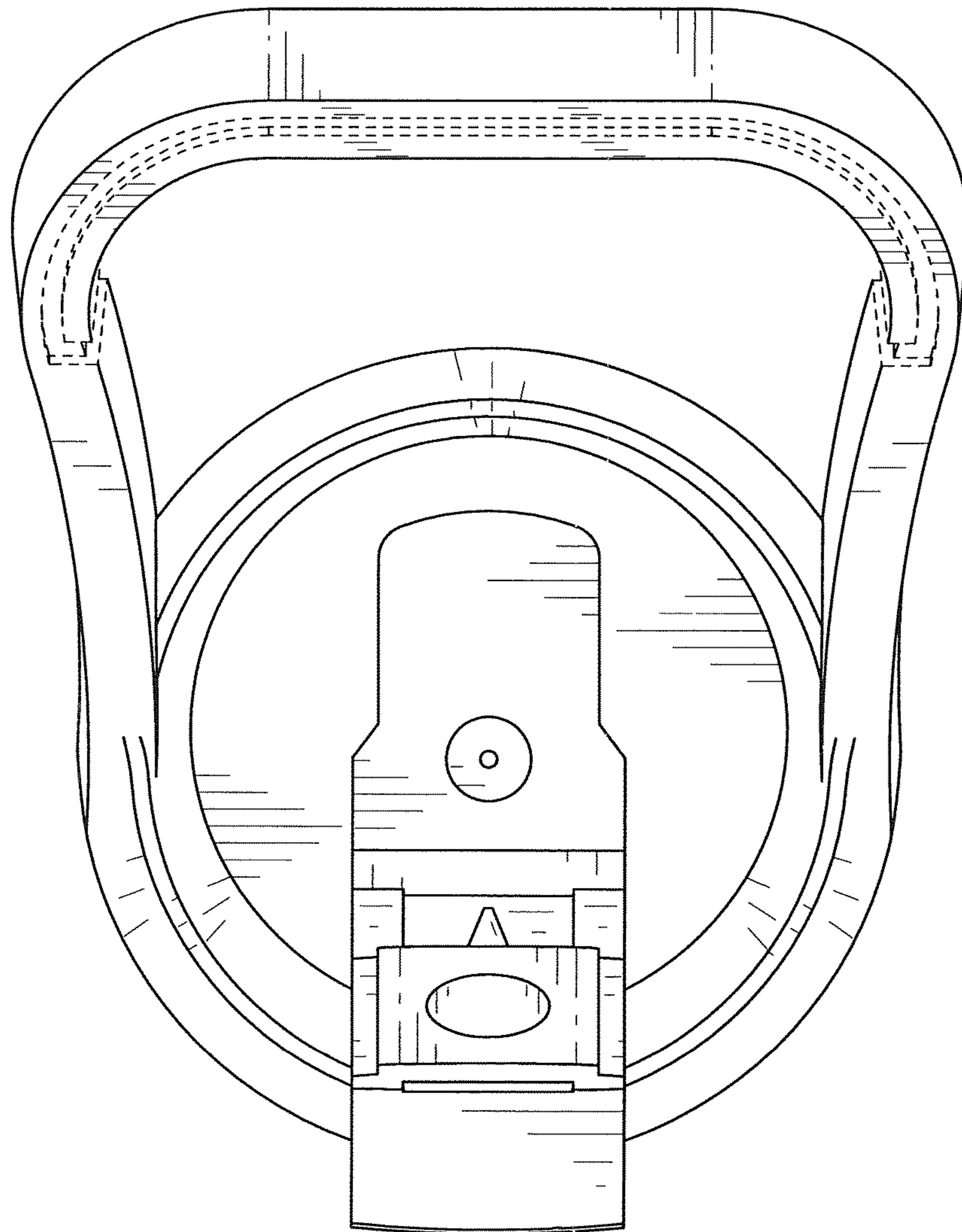


FIG. 7

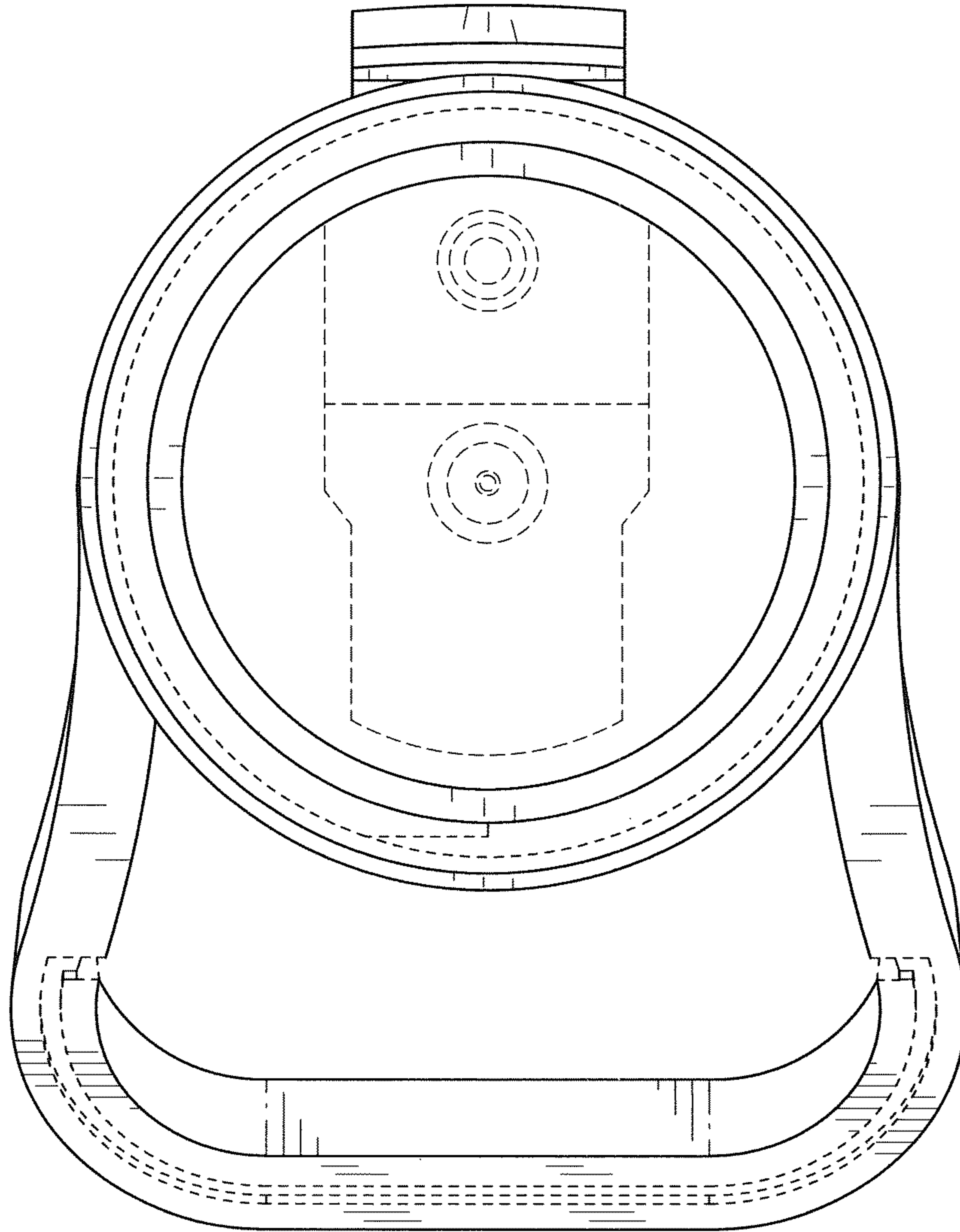


FIG. 8

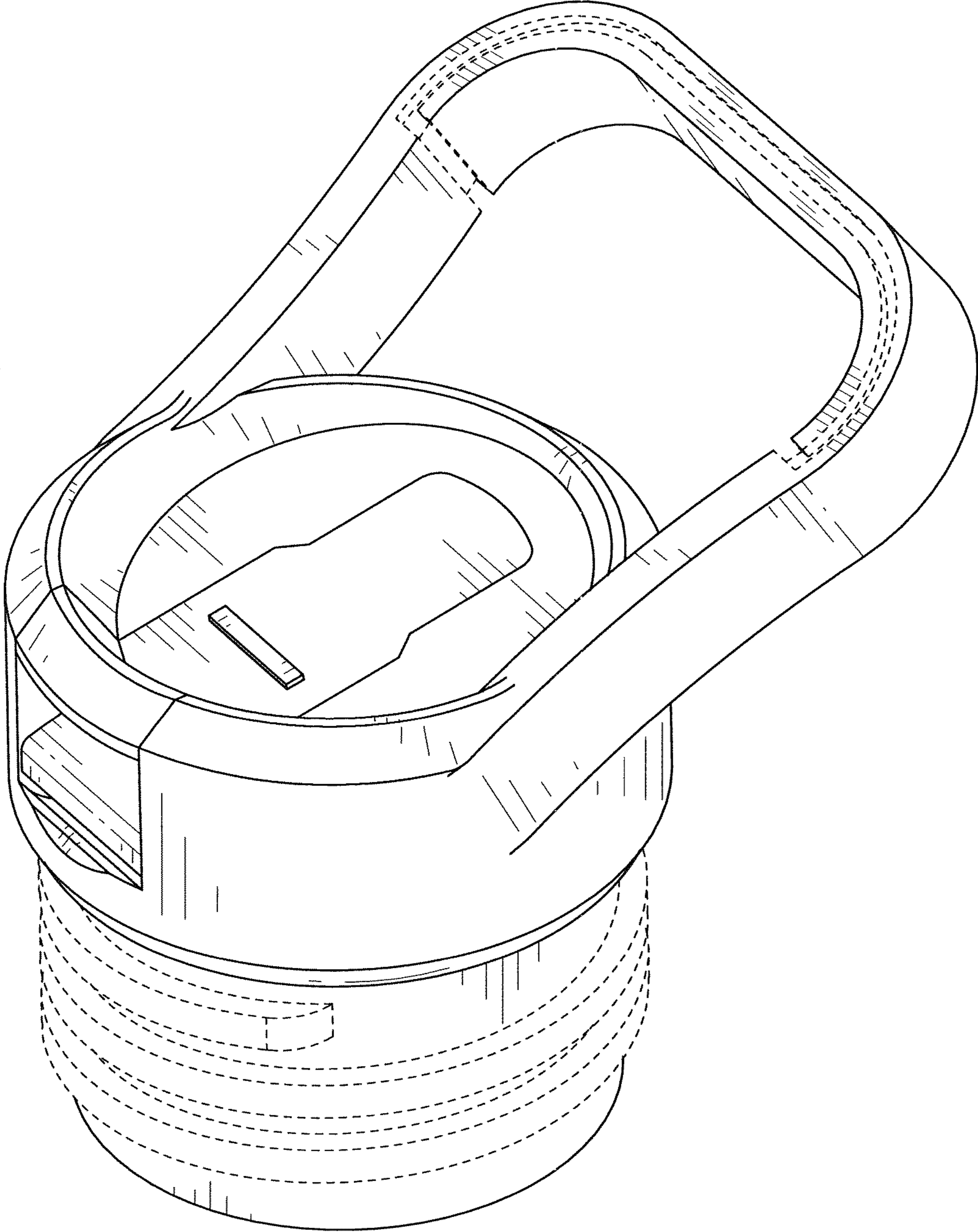


FIG. 9