



US00D955162S

(12) **United States Design Patent**
Ames

(10) **Patent No.:** **US D955,162 S**
(45) **Date of Patent:** **** Jun. 21, 2022**

(54) **BOTTLE LID**

(71) Applicant: **Real Value, LLC**, Norman, OK (US)

(72) Inventor: **Micah Ames**, Oklahoma City, OK (US)

(73) Assignee: **Real Value LLC**, Moore, OK (US)

(**) Term: **15 Years**

(21) Appl. No.: **29/671,939**

(22) Filed: **Nov. 30, 2018**

(51) **LOC (13) Cl.** **07-01**

(52) **U.S. Cl.**
USPC **D7/392.1**

(58) **Field of Classification Search**
USPC D7/392, 392.1, 396.1, 396.2, 397, 509,
D7/510, 533, 619.1, 622; D9/435, 443,
D9/516
CPC B65D 47/066; B65D 47/2037; A47G
19/2272

See application file for complete search history.

(56) **References Cited**

U.S. PATENT DOCUMENTS

D620,357 S	7/2010	Jewett et al.	
D648,177 S	11/2011	Eyal	
D672,238 S	12/2012	Aziz et al.	
D672,609 S	12/2012	Aziz et al.	
D683,581 S *	6/2013	Archer	D7/392.1
D700,012 S	2/2014	Hurley et al.	
D723,333 S	3/2015	Lin	
D724,385 S	3/2015	Hurley et al.	
D729,569 S *	5/2015	Herbst	D7/392
D787,935 S	5/2017	Kaiser	

(Continued)

OTHER PUBLICATIONS

“Simple Modern: Summit Water Bottle Lid 3-Pack: Flip Lid with Handle, Insulated Straw Lid, and Insulated Chug Lid”. Found online Apr. 16, 2021 at amazon.com. Reference dated Aug. 7, 2019.

Retrieved from https://www.amazon.com/Simple-Modern-Summit-Water-Bottle/dp/B07W7W7R5J/ref=sr_1_1_sspa?.*

(Continued)

Primary Examiner — Kendra Leslie Hamilton

(74) *Attorney, Agent, or Firm* — Hall Estill Law Firm

(57) **CLAIM**

The ornamental design for a bottle lid, as shown and described.

DESCRIPTION

FIG. 1 is a top, front, right perspective view of a bottle lid, shown in a first configuration with a drinking nozzle in a closed position.

FIG. 2 is a front elevation view thereof.

FIG. 3 is a rear elevation of view thereof.

FIG. 4 is a right side elevation view thereof.

FIG. 5 is a left side elevation view thereof.

FIG. 6 is a top plan view thereof.

FIG. 7 is a bottom plan view thereof.

FIG. 8 is a top, front, right perspective view of the bottle lid of FIG. 1, shown in a condition of use.

FIG. 9 is a top, front, right perspective view of the bottle lid of FIG. 1, shown in a second configuration with a drinking nozzle in an open position.

FIG. 10 is a front elevation view thereof.

FIG. 11 is a rear elevation of view thereof.

FIG. 12 is a right side elevation view thereof.

FIG. 13 is a left side elevation view thereof.

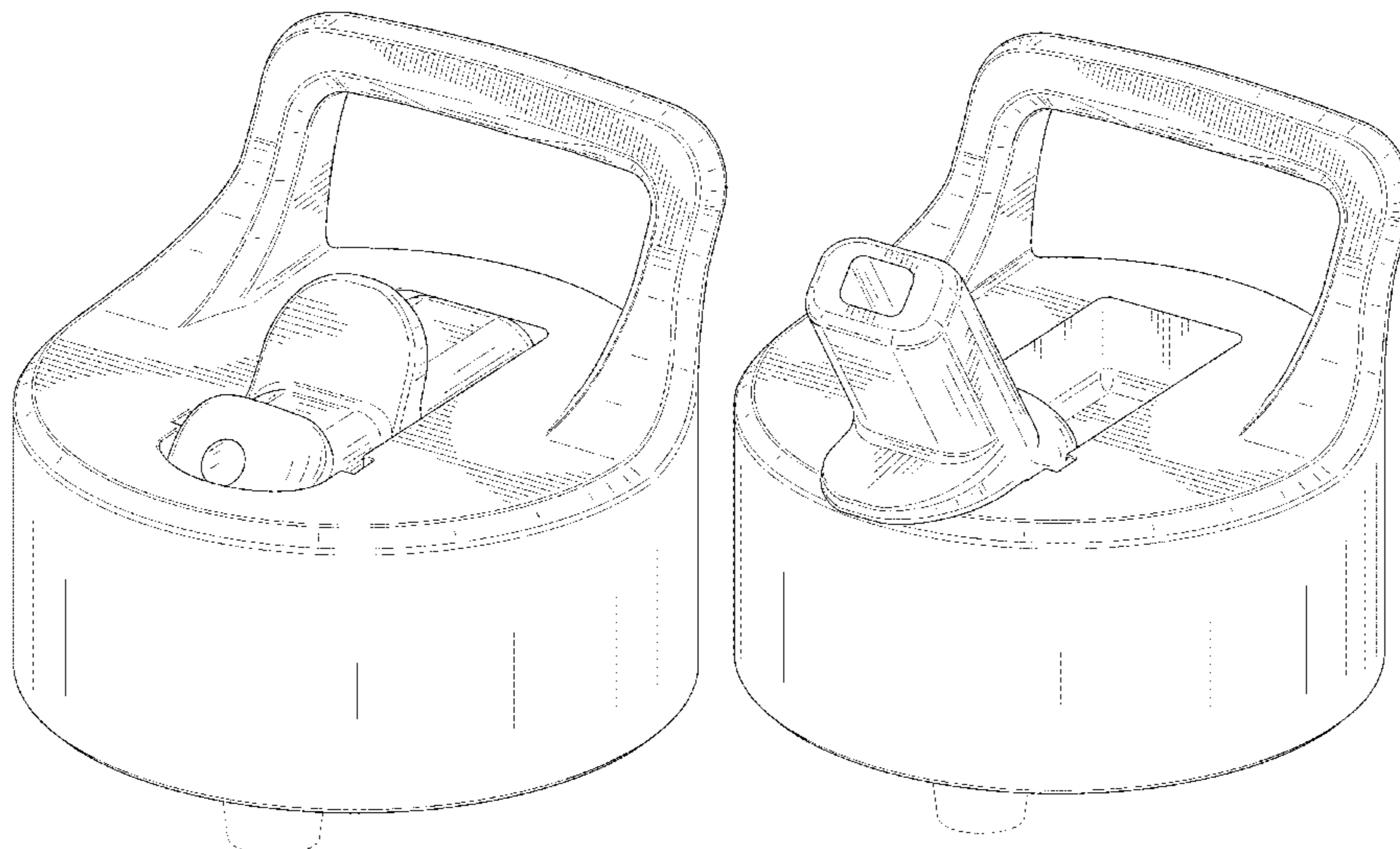
FIG. 14 is a top plan view thereof.

FIG. 15 is a bottom plan view thereof; and,

FIG. 16 is a top, front, right perspective view of the bottle lid of FIG. 9, shown in a condition of use.

The broken lines shown on the bottle lid depict portions of the bottle lid that form no part of the claimed design. The broken lines that show a bottle in FIGS. 8 and 16 depict environmental structure that form no part of the claimed design.

1 Claim, 16 Drawing Sheets



(56)

References Cited

U.S. PATENT DOCUMENTS

D790,920 S 7/2017 Goodwin et al.
 D791,579 S 7/2017 Goodwin et al.
 D808,220 S 1/2018 Burns et al.
 D809,920 S 2/2018 Maple
 D810,504 S 2/2018 Goodwin et al.
 D811,162 S * 2/2018 Rane D7/396.2
 D811,818 S 3/2018 Wu
 D812,428 S 3/2018 Wu
 D814,855 S * 4/2018 Hammer D7/392.1
 D815,908 S 4/2018 Kauss et al.
 D822,439 S 7/2018 Spivey et al.
 D870,508 S * 12/2019 Palkon D7/392.1
 D897,760 S * 10/2020 Feng D7/392.1
 D899,850 S * 10/2020 Xie D7/392.1
 D903,403 S * 12/2020 Ames D7/392.1
 D907,959 S * 1/2021 Hao D7/510
 D915,821 S * 4/2021 Ludolph D7/396.2

2006/0226110 A1* 10/2006 Choi A45F 3/20
 215/228
 2010/0193462 A1* 8/2010 Roth B65D 81/18
 215/229
 2012/0187075 A1* 7/2012 El-Saden B65D 51/242
 215/389

OTHER PUBLICATIONS

“Cheetah Straw Lid”. Found online Apr. 16, 2021 at amazon.com. Reference dated May 6, 2020. Retrieved from <https://www.amazon.com/CHEETAH-Rambler-Bottle-Straws-Include/dp/B08884H32Q?>.
 “CamelBak: Eddy+ Water Bottle”. Found online Jun. 24, 2020 at amazon.com. Reference dated Feb. 19, 2019. Retrieved from https://www.amazon.com/CamelBak-1642002060-Eddy-Quilt-GEO-6L/dp/B07HGQF89F/ref=cm_cr_arp_d_product_top?ie=UTF8&th=1.

* cited by examiner

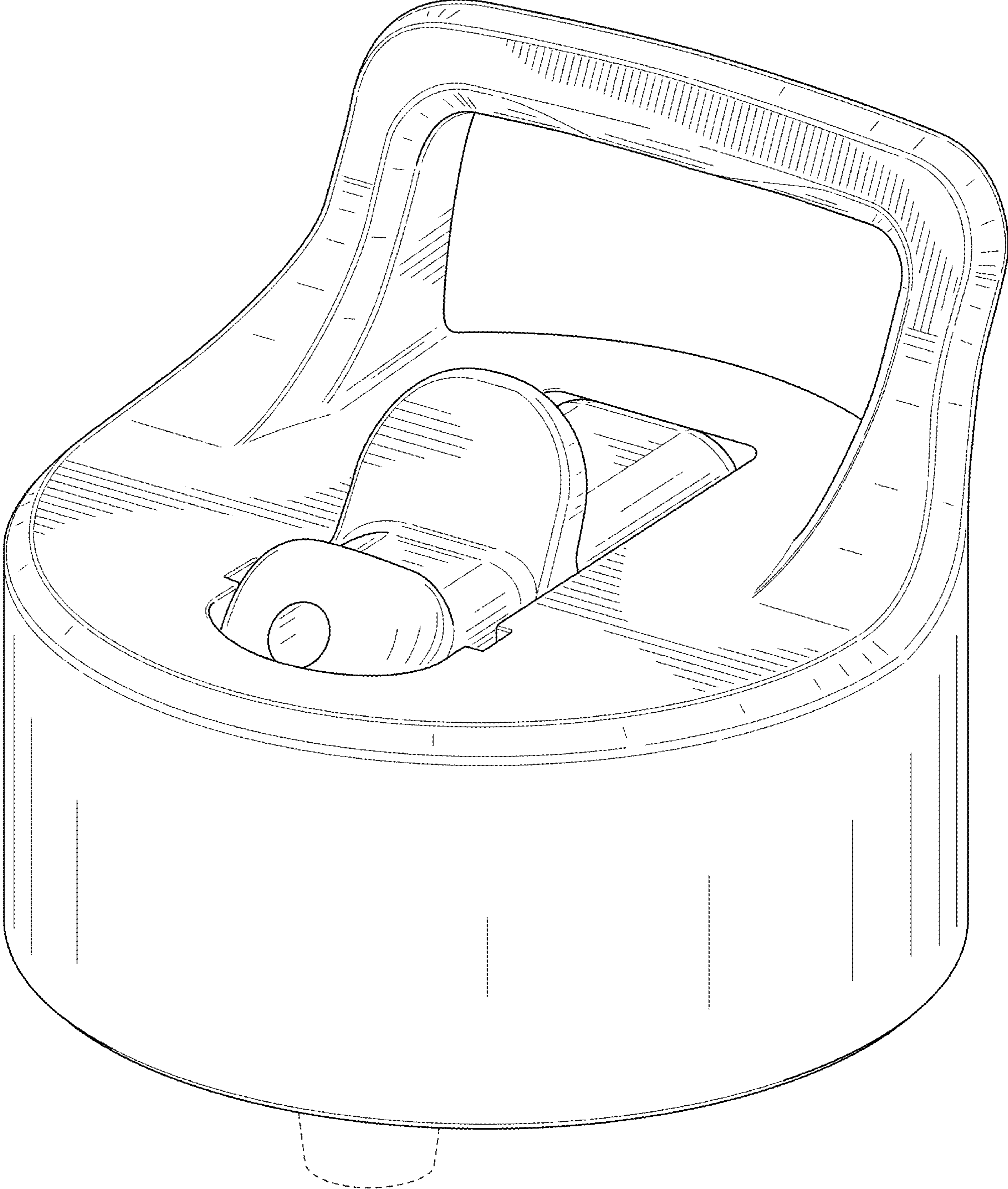


FIG. 1

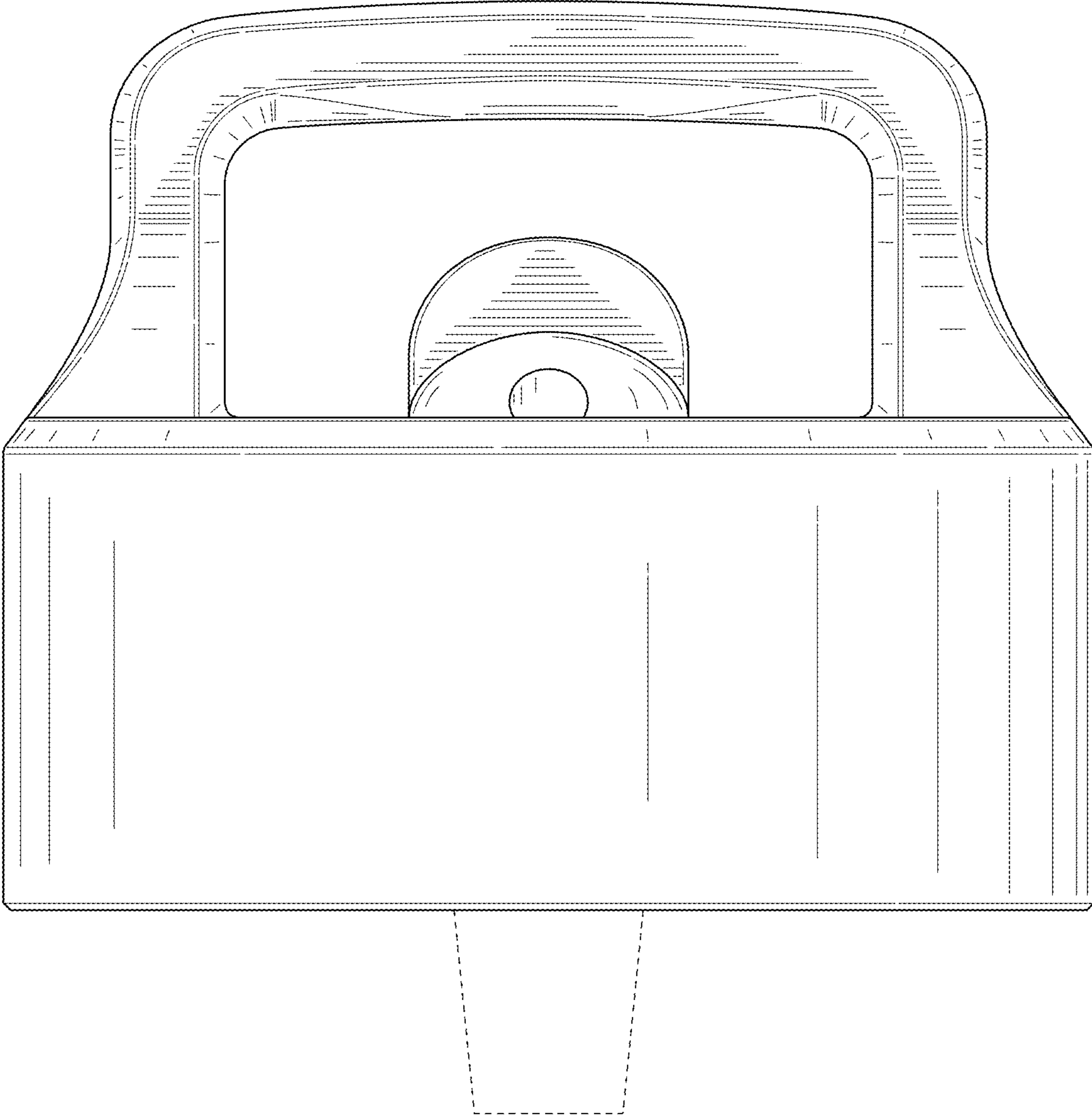


FIG. 2

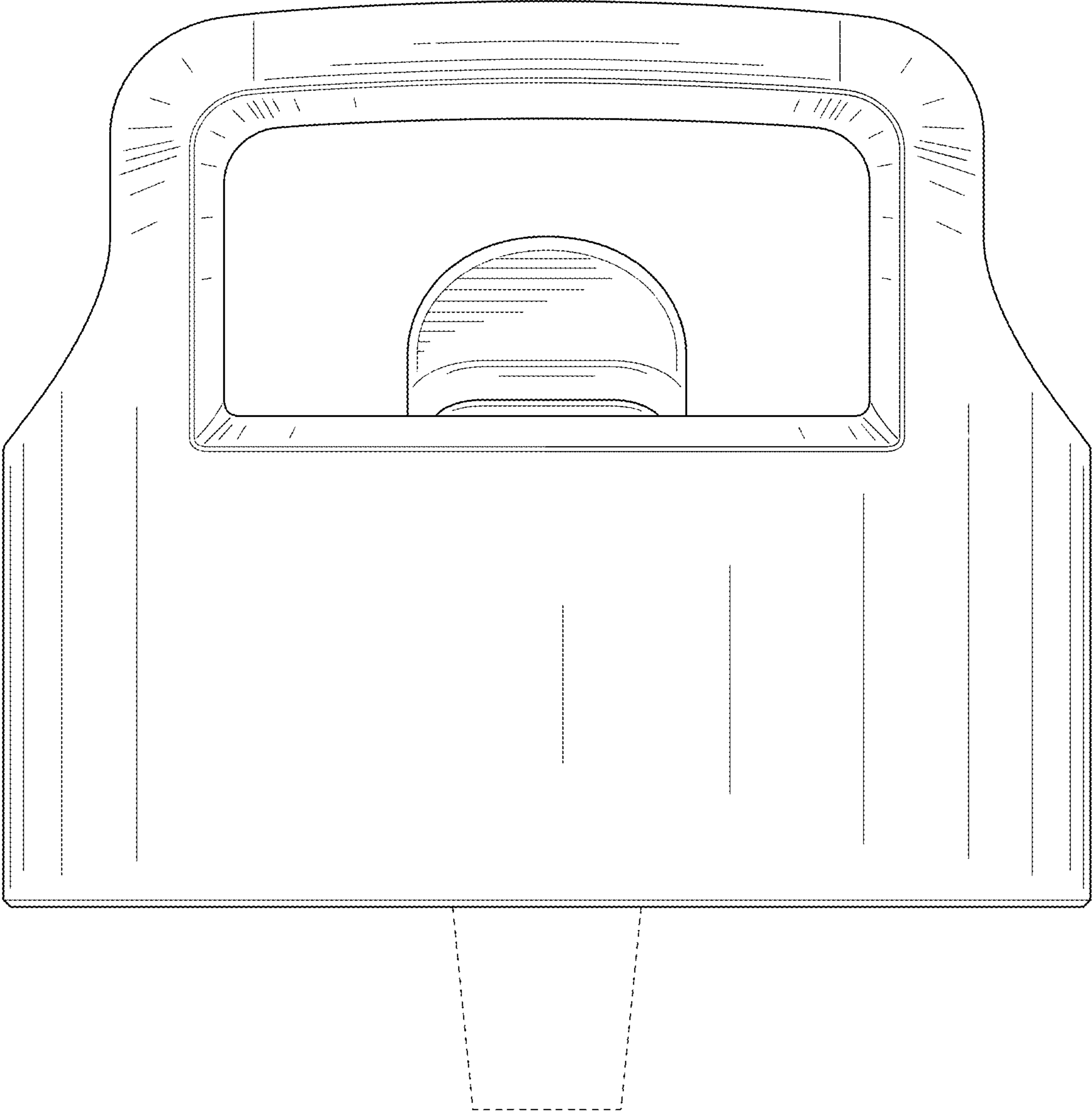


FIG. 3

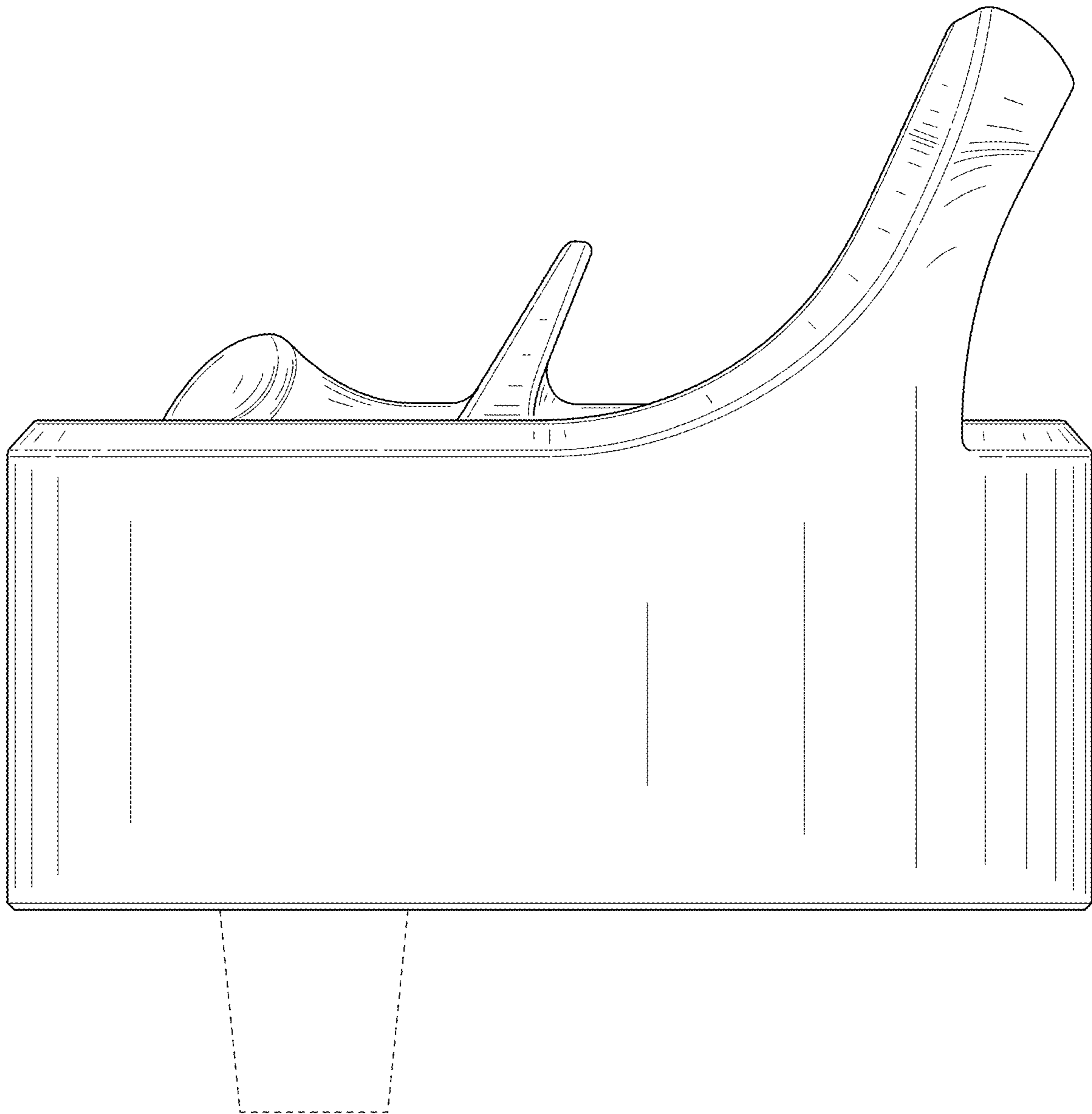


FIG. 4

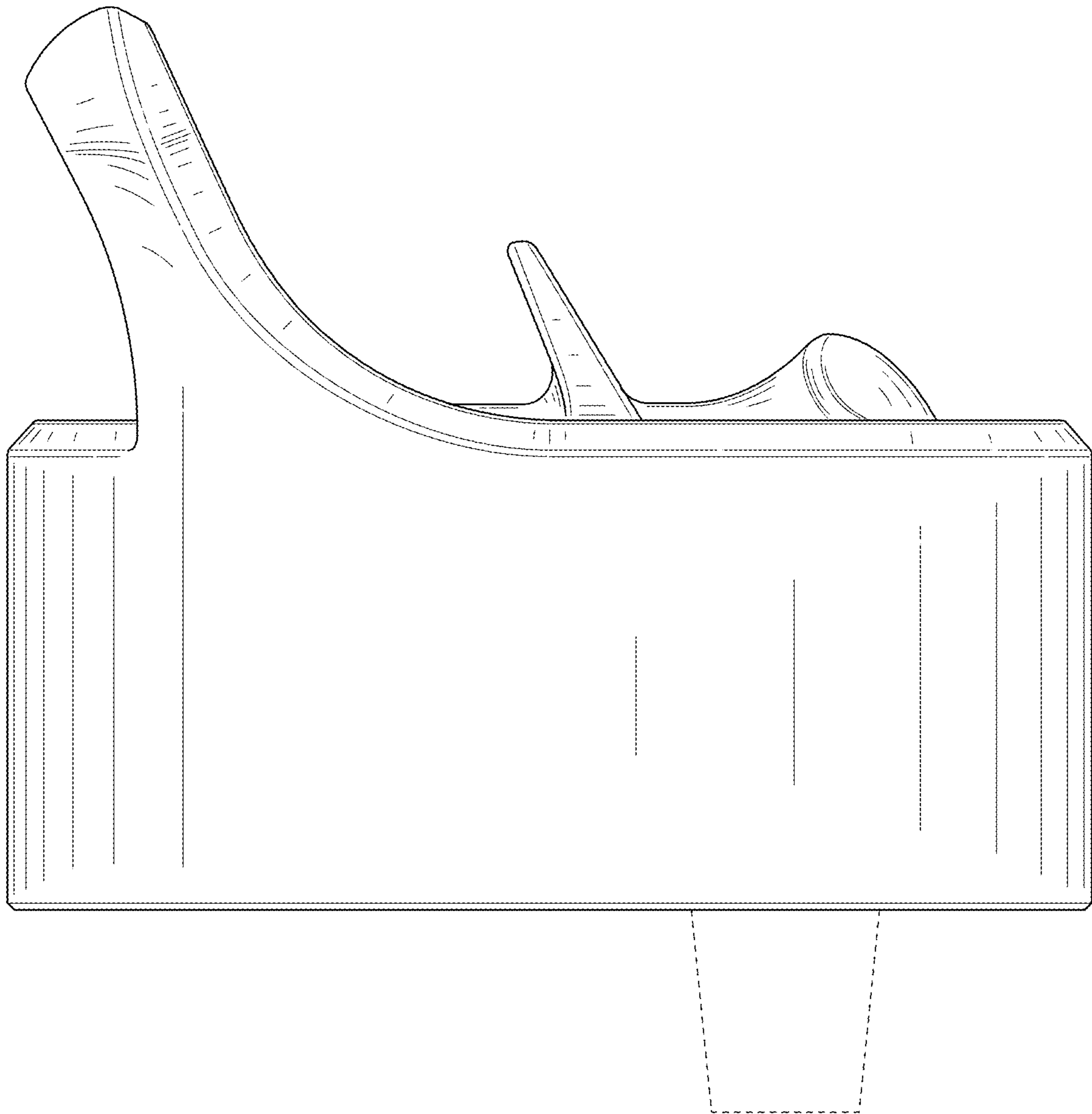


FIG. 5

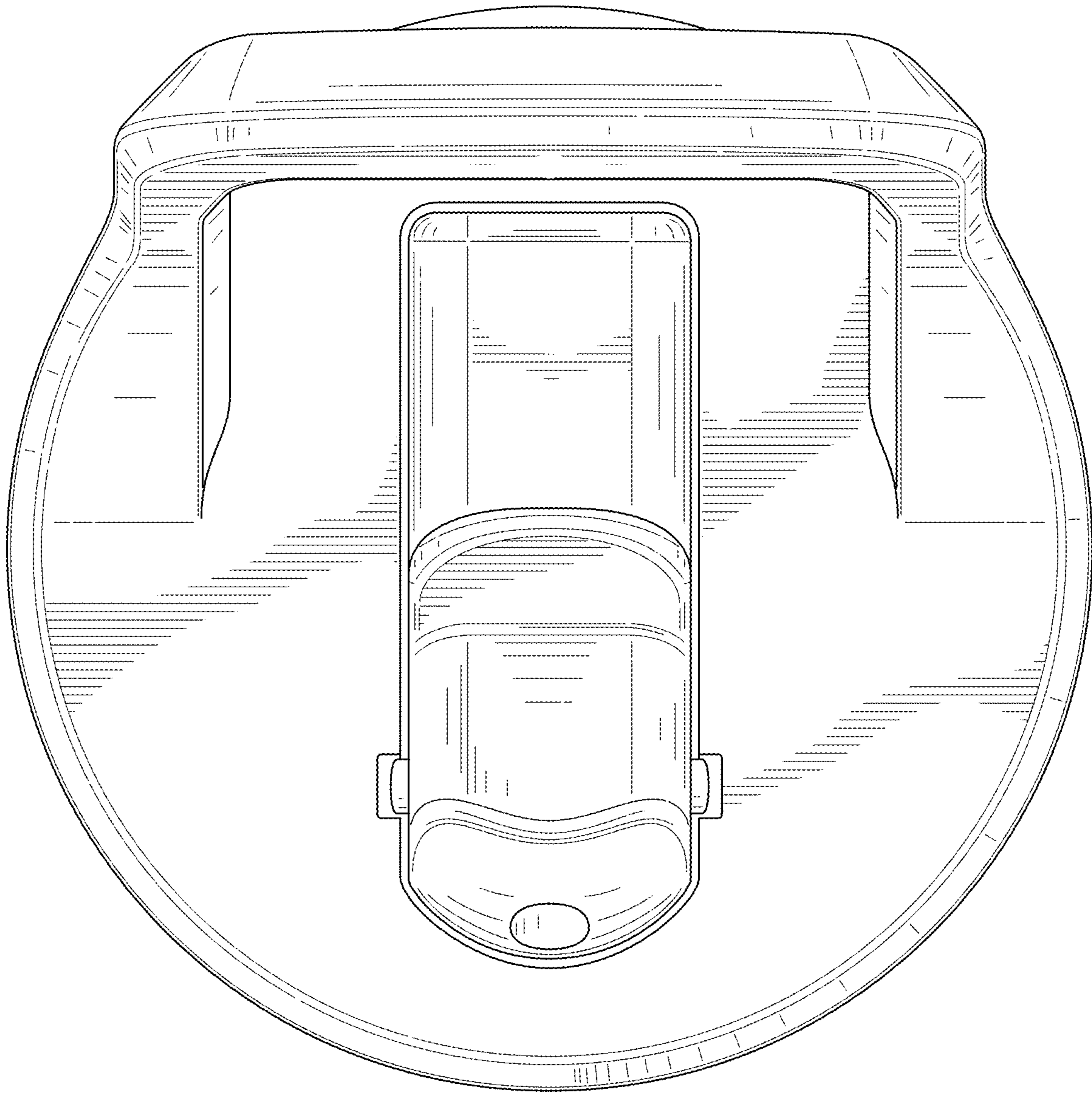


FIG. 6

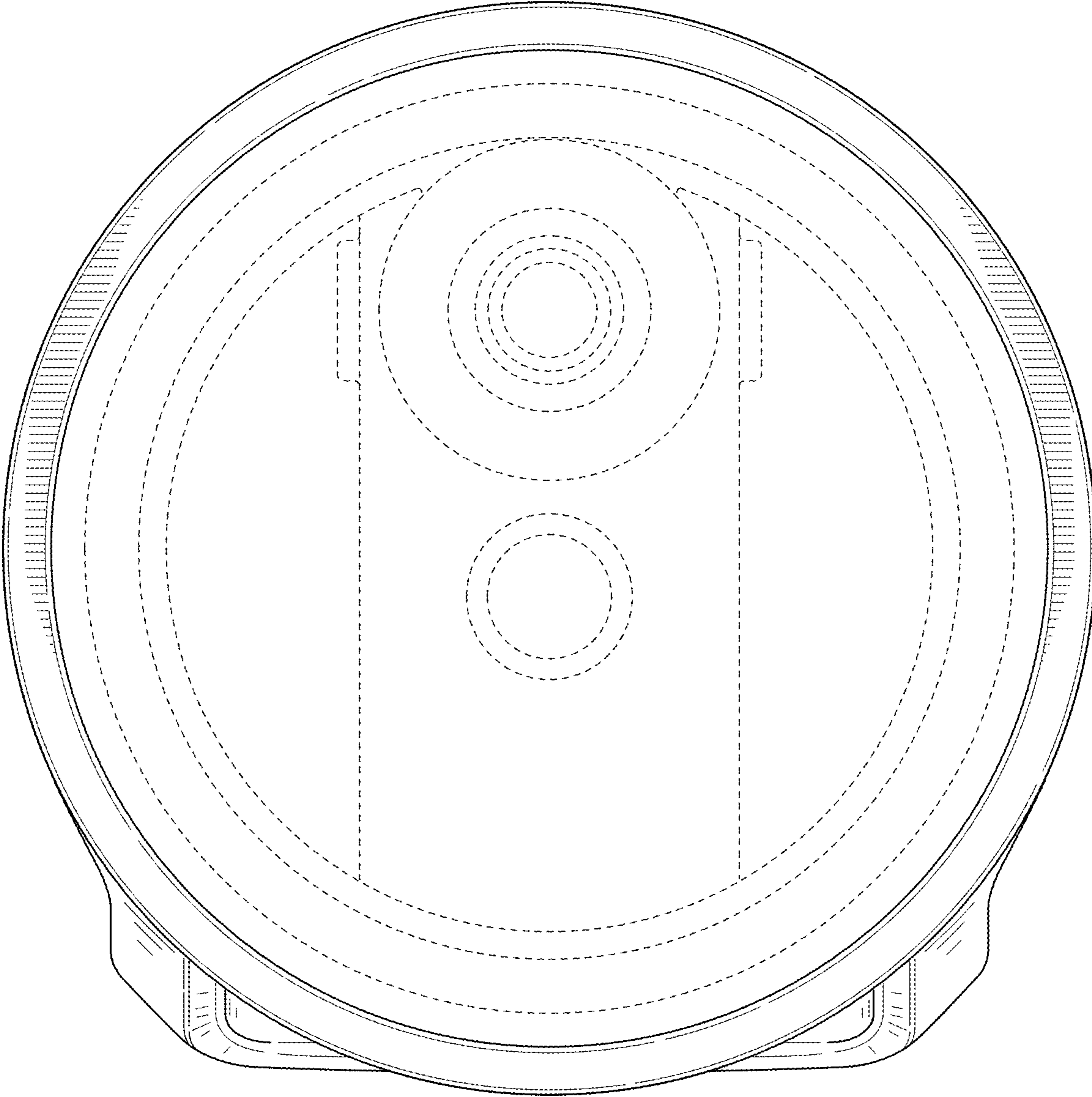


FIG. 7

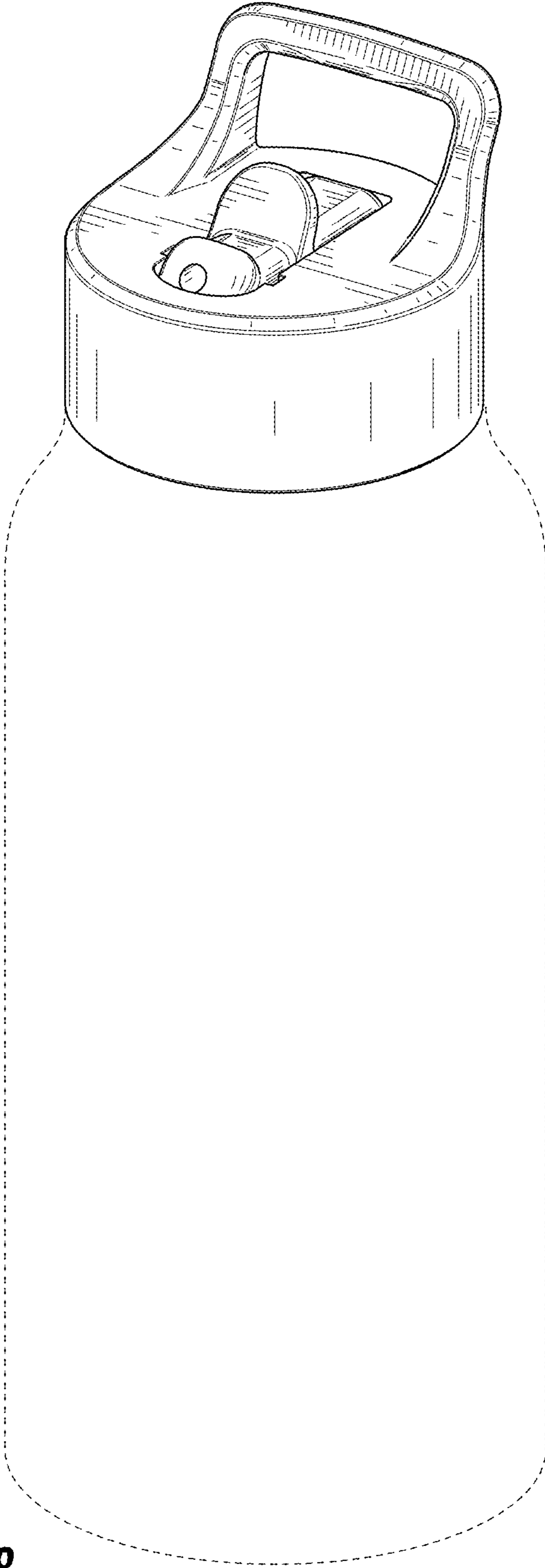


FIG. 8

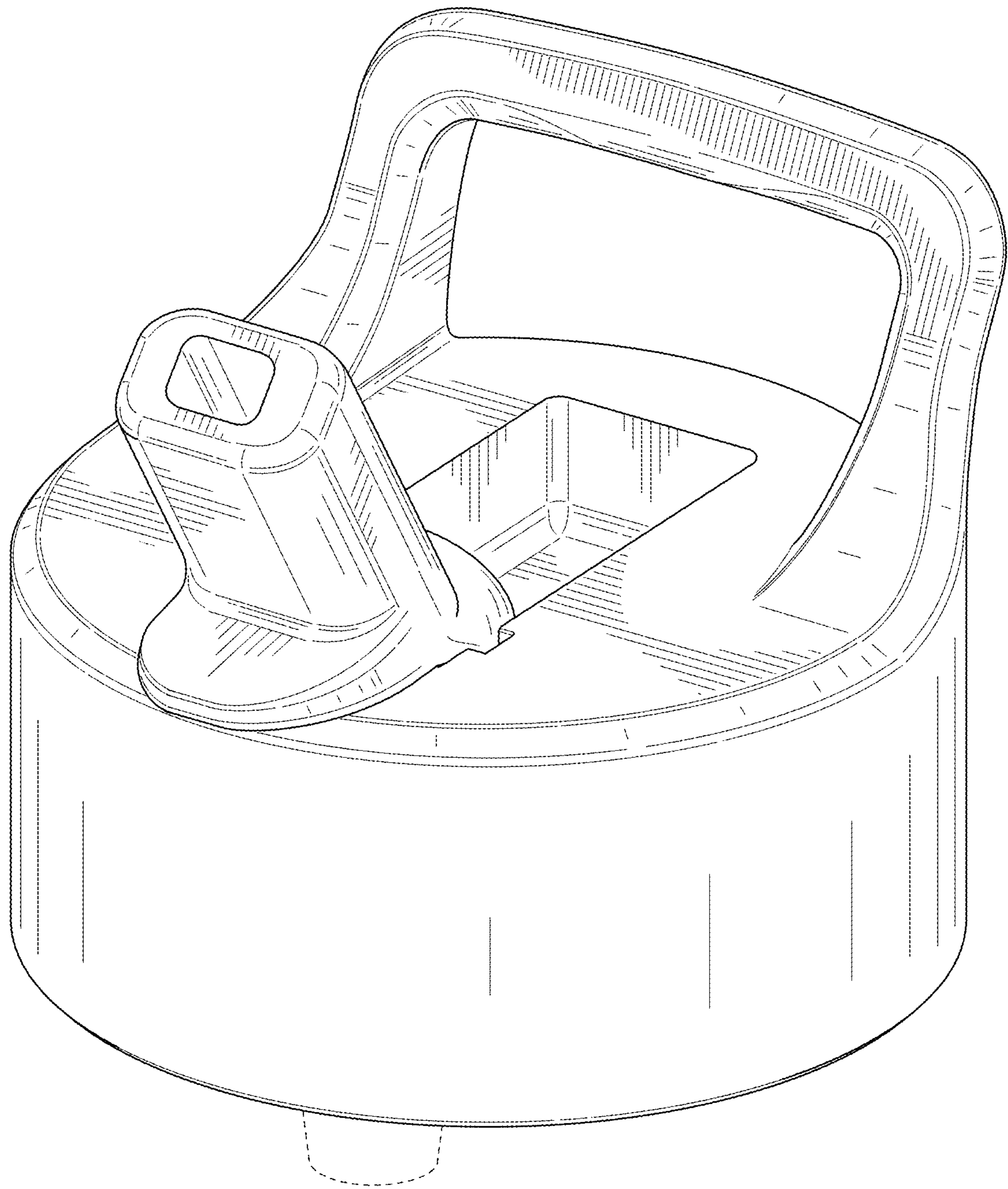


FIG. 9

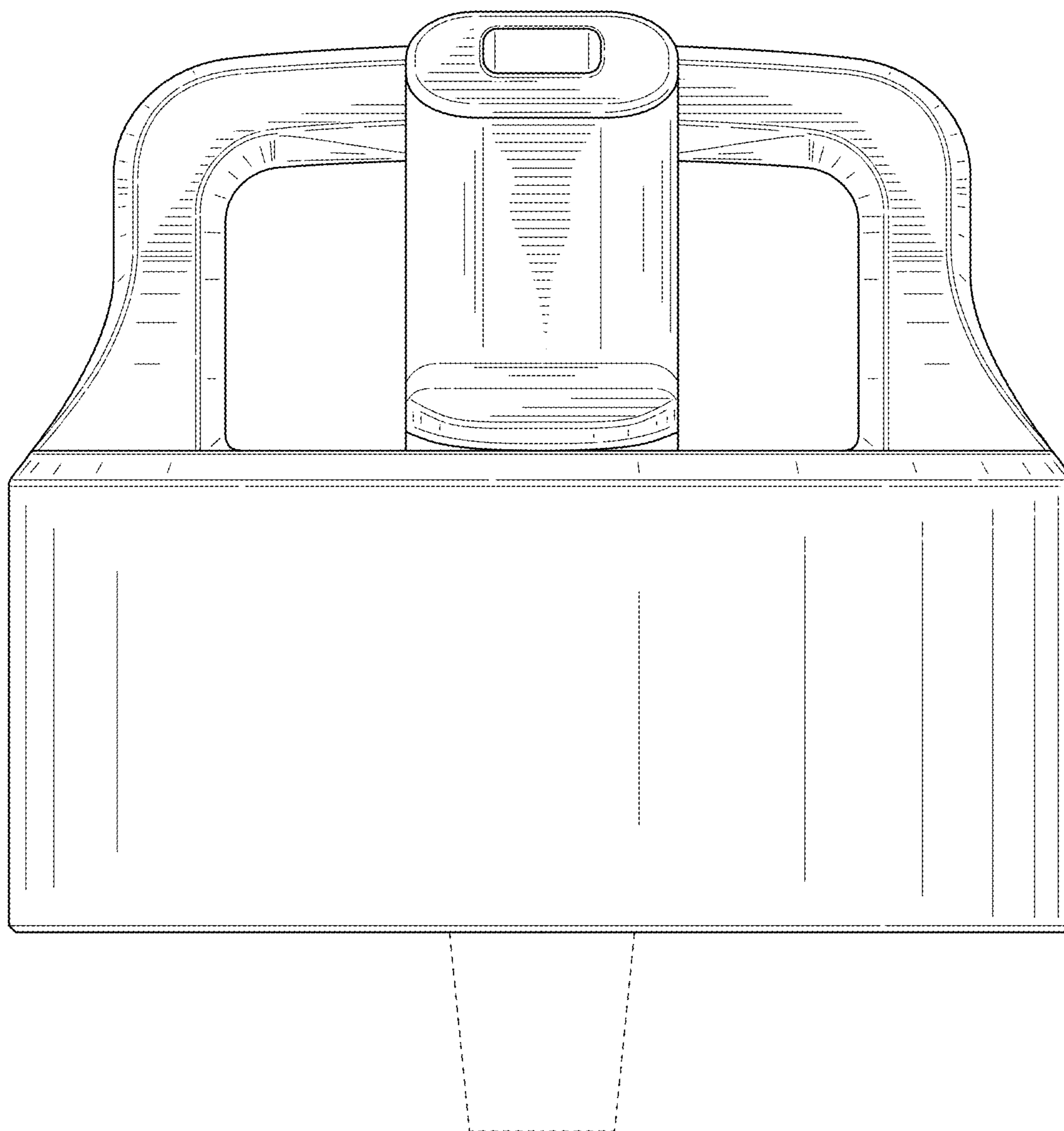


FIG. 10

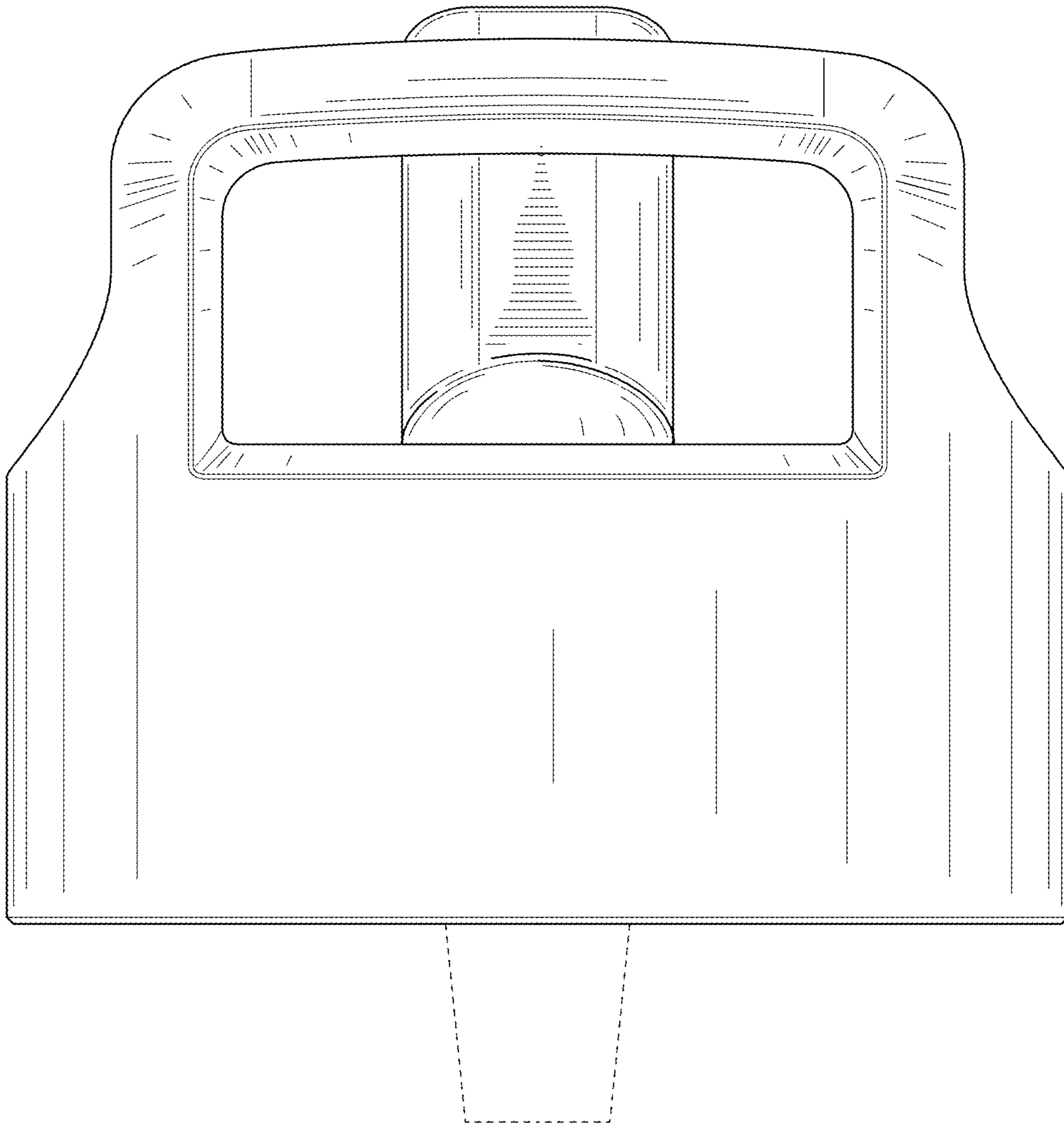


FIG. 11

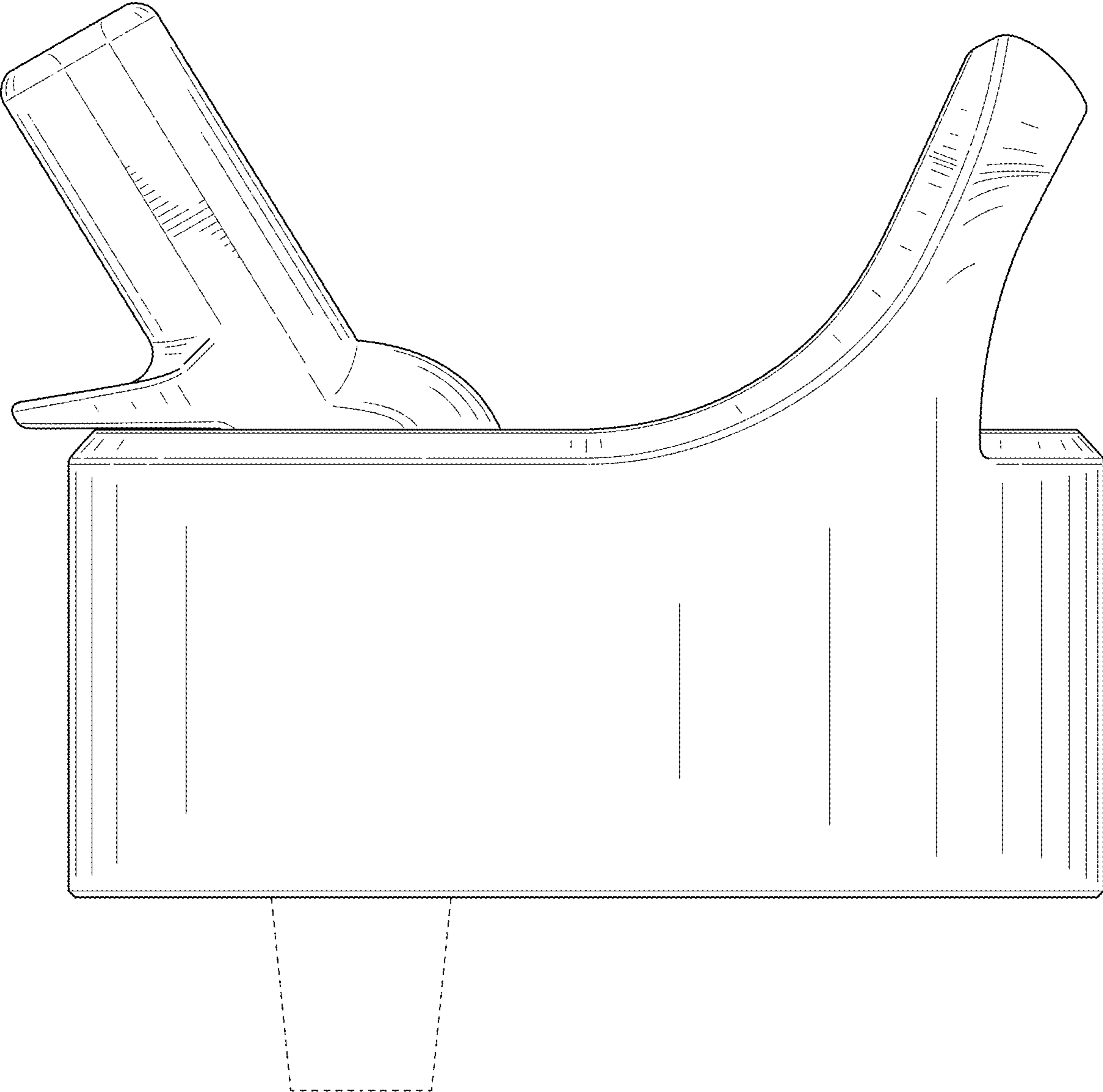


FIG. 12

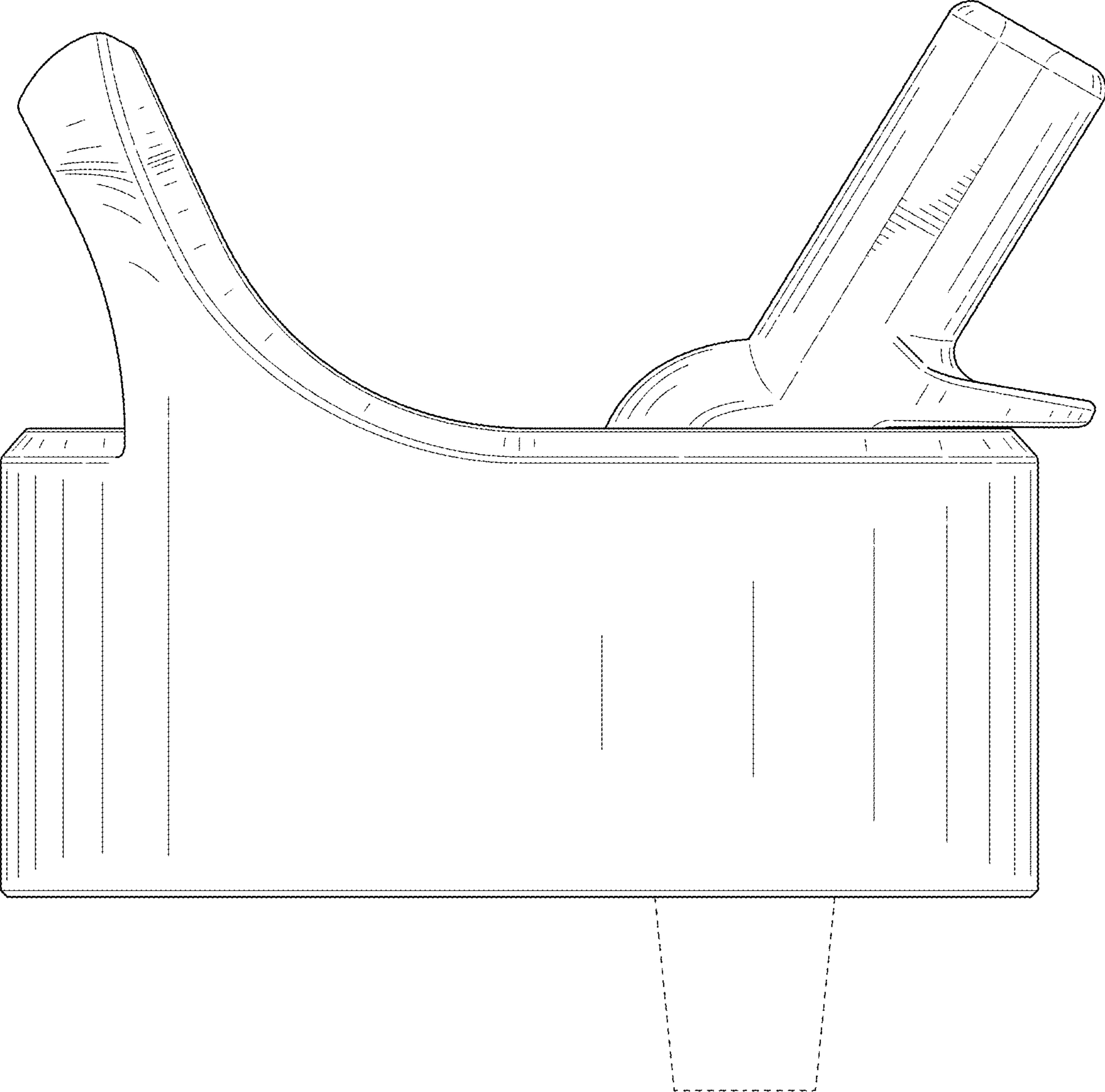


FIG. 13

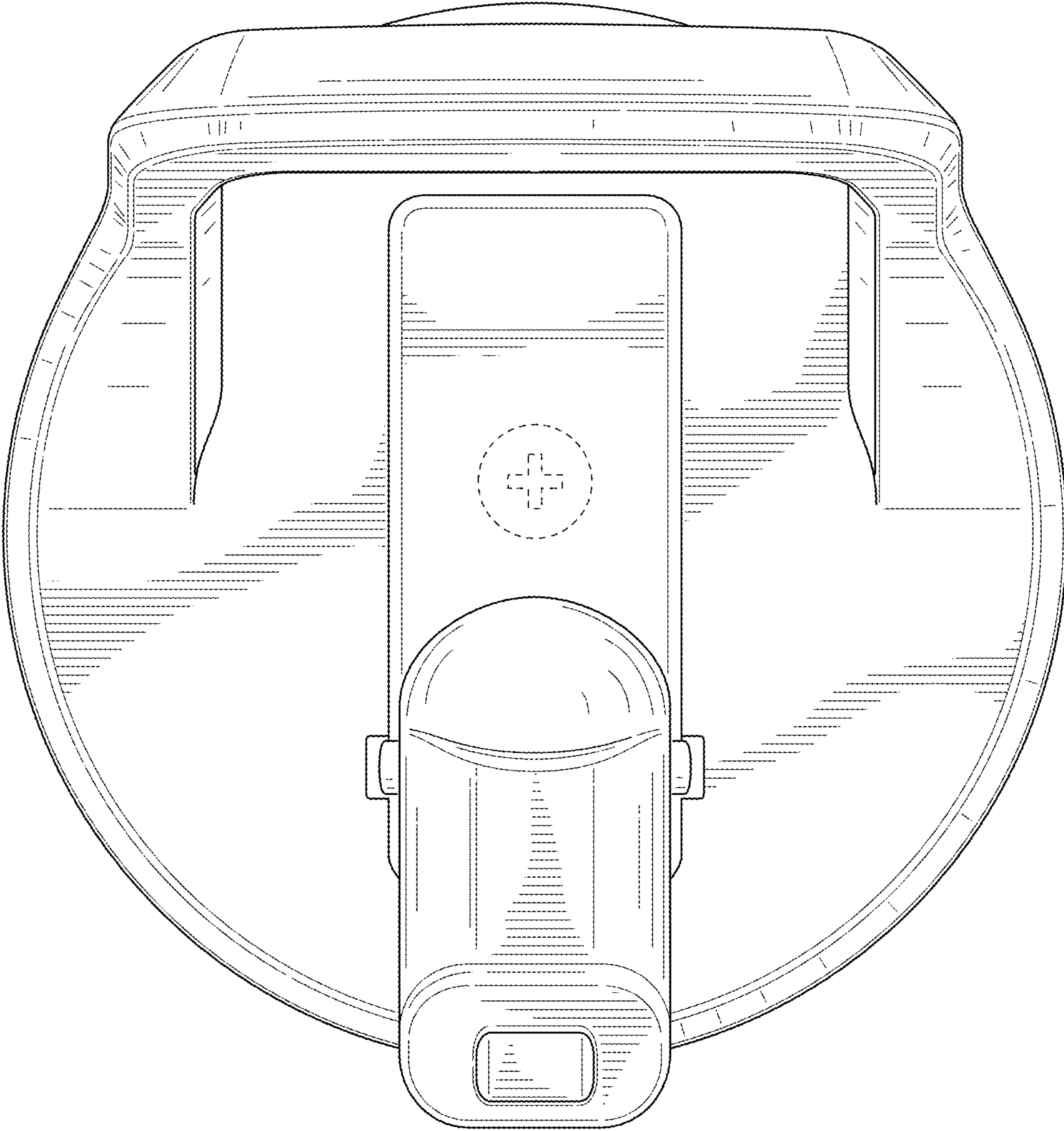


FIG. 14

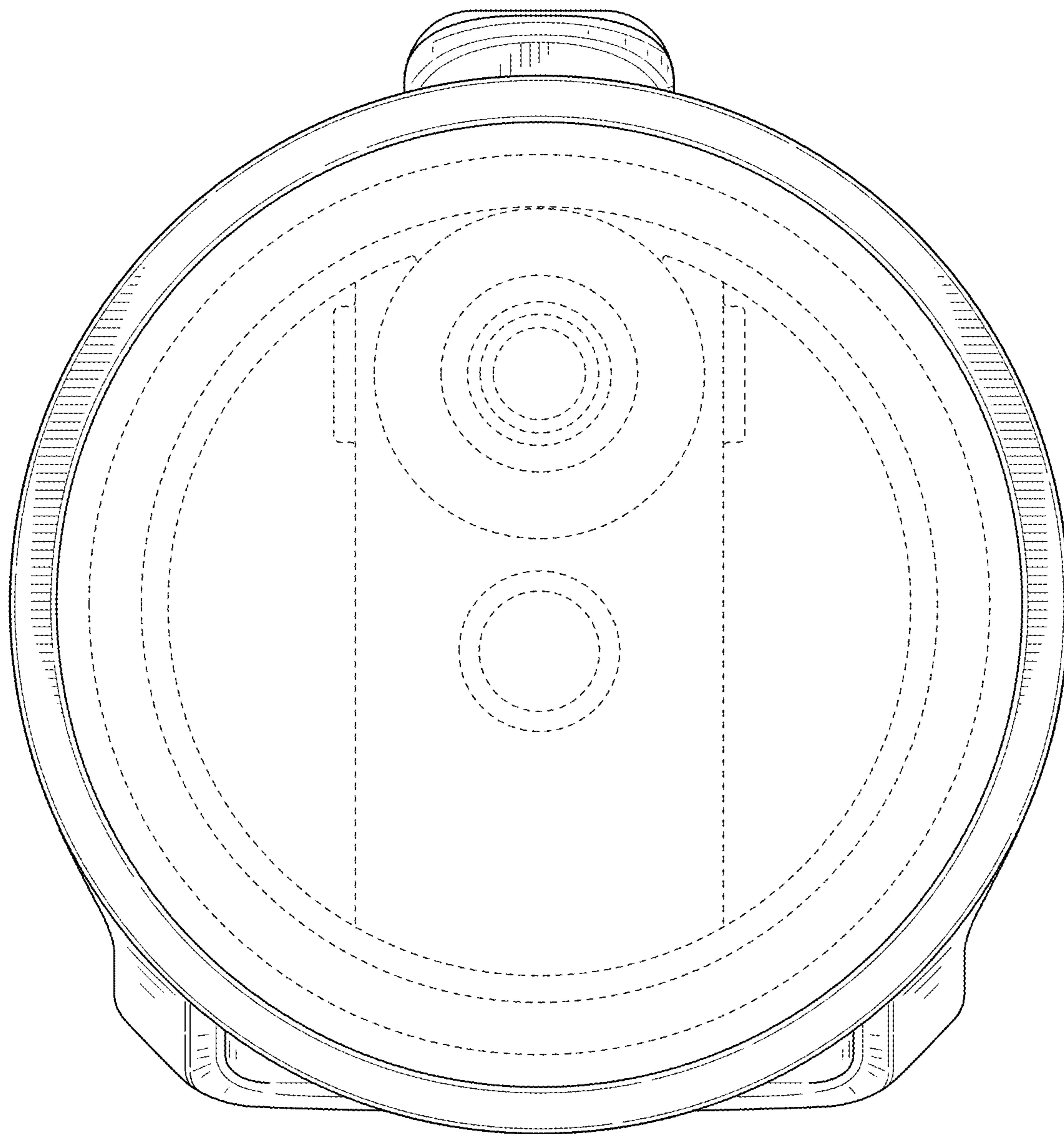


FIG. 15

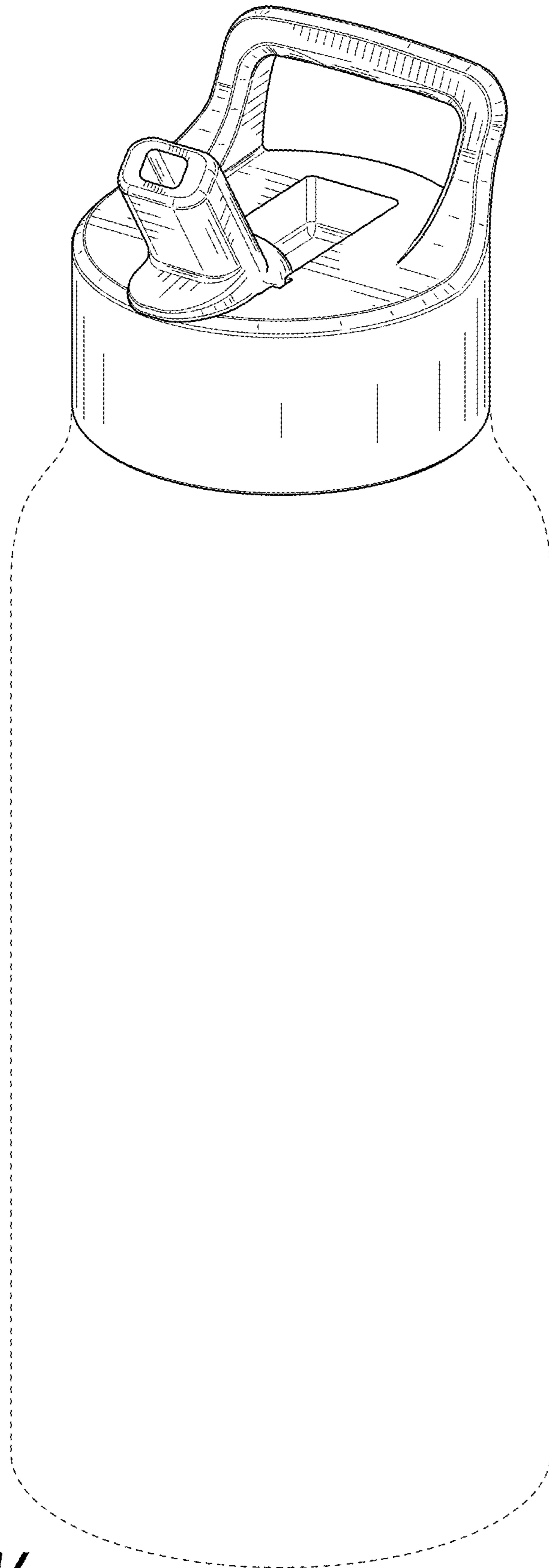


FIG. 16