



US00D955160S

(12) **United States Design Patent**
Liu et al.

(10) **Patent No.:** **US D955,160 S**
(45) **Date of Patent:** **** Jun. 21, 2022**

(54) **LID**

(71) Applicant: **Zhejiang Keland Electric Appliance Co., Ltd**, Jinhua (CN)

(72) Inventors: **Bin Liu**, Jinhua (CN); **Qiang Wang**, Jinhua (CN)

(73) Assignee: **Zhejiang Keland Electric Appliance Co., Ltd**, Jinhua (CN)

(**) Term: **15 Years**

(21) Appl. No.: **29/695,377**

(22) Filed: **Jun. 18, 2019**

(30) **Foreign Application Priority Data**

Mar. 20, 2019 (CN) 201930116522.1
 May 31, 2019 (CN) 201930279451.7

(51) **LOC (13) Cl.** **07-01**

(52) **U.S. Cl.**
 USPC **D7/391**

(58) **Field of Classification Search**
 USPC D7/354–356, 358–360, 366, 387, 391, D7/392.1, 393, 402, 500, 502, 503, 505, D7/513, 514, 518, 531, 538–545, 553.6, D7/554.1, 557, 558, 562, 566–570, D7/584–590, 601, 602, 610, 612–616, D7/629, 630, 900; D9/423–431, 435, D9/503, 780; D10/46.2; D11/153, 154; D30/129; D34/1; D12/400; D23/364, D23/365
 CPC A47G 19/00; A47G 19/02; A47G 19/065; A47G 19/10; A47G 19/2211; A47G 2400/04; A47J 47/00; A47J 37/10; A47J 37/101; A47J 36/06; A47J 27/04; A47J

(Continued)

(56) **References Cited**

U.S. PATENT DOCUMENTS

D34,212 S * 3/1901 Reid D7/391
 D91,352 S * 1/1934 Christman D7/360
 (Continued)

FOREIGN PATENT DOCUMENTS

CN 303462860 * 11/2015
 CN 304740898 * 7/2018
 (Continued)

OTHER PUBLICATIONS

Glassbottlemarks.com, “Boyd’s Genuine Porcelain Lined Cap,” 1871, [https://glassbottlemarks.com/boyds-genuine-porcelain-lined-cap/\(Year: 1871\).*](https://glassbottlemarks.com/boyds-genuine-porcelain-lined-cap/(Year: 1871).*)
 (Continued)

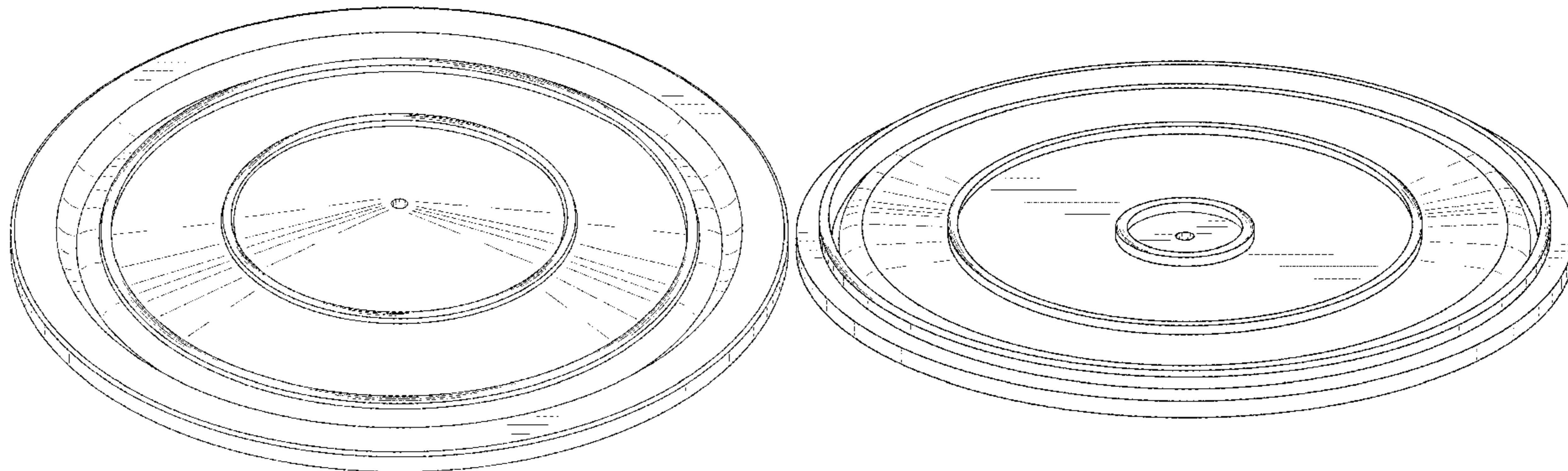
Primary Examiner — Joseph Kukella
Assistant Examiner — Arva P Adams
 (74) *Attorney, Agent, or Firm* — Bayramoglu Law Offices LLC

(57) **CLAIM**
 The ornamental design for a lid, as shown and described.

DESCRIPTION

FIG. 1 is a front perspective view of a lid showing our new design;
 FIG. 2 is a front elevational view thereof;
 FIG. 3 is a rear elevational view thereof;
 FIG. 4 is a left side elevational view thereof;
 FIG. 5 is a top plan view thereof; and,
 FIG. 6 is a rear perspective view thereof.
 A right side elevational view is omitted since the right side elevational view is identical to the left elevational view.
 A bottom plan view is omitted since the bottom plan view is identical to the top plan view.

1 Claim, 6 Drawing Sheets



(58) **Field of Classification Search**
 CPC 27/08; B65D 41/04; B65D 41/0414; F02M
 35/02483; B22C 9/00
 See application file for complete search history.

(56) **References Cited**

U.S. PATENT DOCUMENTS

D102,574 S * 12/1936 Nelson D7/391
 D133,936 S * 9/1942 Barnsteiner D7/391
 3,209,520 A * 10/1965 McKinlay F02M 35/02483
 96/386
 3,541,765 A * 11/1970 Adler F02M 35/024
 96/138
 D232,511 S * 8/1974 Milton D7/391
 D463,201 S * 9/2002 Mendelson D7/358
 D475,573 S * 6/2003 Jalet D7/392.1
 D480,264 S * 10/2003 de Groote D7/392.1
 D594,704 S * 6/2009 Loaiza D7/538
 D637,865 S * 5/2011 Bodum D7/391
 D667,273 S * 9/2012 Henry D7/542
 D683,996 S * 6/2013 Sworder D7/317
 D762,475 S * 8/2016 Turner D9/454
 D767,387 S * 9/2016 Wyatt D9/443
 D820,677 S * 6/2018 D'Anglade D9/435
 D826,630 S * 8/2018 Wong D7/391
 D832,024 S * 10/2018 Wessels D7/354
 D869,239 S * 12/2019 Wands A47J 36/06
 D7/543
 D891,857 S * 8/2020 Deutsch F02M 35/024
 D7/391
 D925,274 S * 7/2021 Dorion F02M 35/02483
 D7/391
 2017/0172345 A1* 6/2017 Bennett A47J 36/06
 2018/0125292 A1* 5/2018 Workman A47J 37/0623

FOREIGN PATENT DOCUMENTS

CN 304782421 * 8/2018
 EM 000051065-0008 * 11/2003

EM 000587522-0003 * 10/2006
 EM 000752696-0001 * 8/2007
 EM 001841198-0002 * 4/2011
 EM 006625570-0001 * 9/2019
 FR 5831-001 * 12/1918
 FR 973621-001 * 10/1997
 FR 981482-009 * 7/1998
 FR 004451-001 * 11/2000
 FR 010671-001 * 3/2004

OTHER PUBLICATIONS

Amazon.com, "Staub Cast Iron Round Cocotte," May 5, 2003, Amazon, www.amazon.com/dp/B003G6031G (Year: 2003).*

HPRengines, "1988-92 Compatible/Replacement for Chevy/GMC Truck Chrome Air Cleaner Top," Sep. 1, 2011, Amazon, www.amazon.com/1988-92-CHEVY-TRUCK-CHROME-CLEANER/dp/B005KKJO5C (Year: 2011).*

Martha Stewart, "Martha Stewart Teal Blue Enameled Cast Iron 6 Qt. Round Dutch Oven Casserole," Feb. 4, 2013, Amazon, www.amazon.com/dp/B00BAWNJWI (Year: 2013).*

Geekwise, "How to Fix Pot Lid Handle DIY Repair Idea Easy Tutorial," Mar. 2, 2018, YouTube, www.youtube.com/watch?v=JYi7_wg_R60 (Year: 2018).*

Aktion Plagiarius, 3. Prize—Cast Iron Roaster "Staub Cocotte," Jan. 12, 2019, Aktion Plagiarius, www.plagiarius.com/index.php?ID=52&SETSPRACHE=2 (Year: 2019).*

Macy's, "Enameled Cast Iron 2-Qt. Round Covered Dutch Oven," Feb. 22, 2019, Macy's, www.macys.com/shop/product/martha-stewart-collection-enameled-cast-iron-2-qt.-round-covered-dutch-oven-created-for-macys?ID=7906243 (Year: 2019).*

Martha Stewart, "Martha's enameled cast iron cookware," Feb. 23, 2019, Facebook, www.facebook.com/marthastewart/photos/a.164527981288/10157224742416289 (Year: 2019).*

* cited by examiner

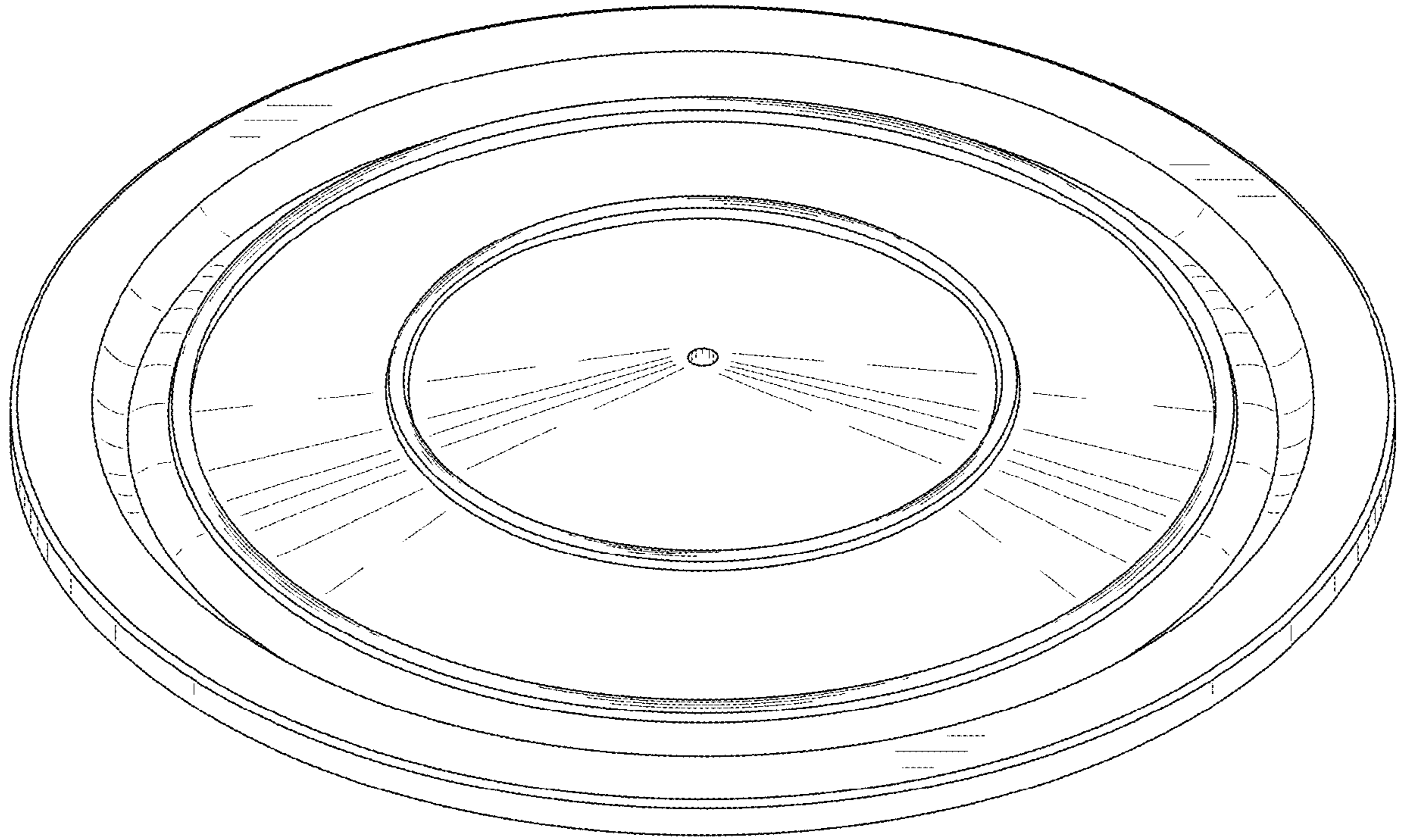


FIG. 1

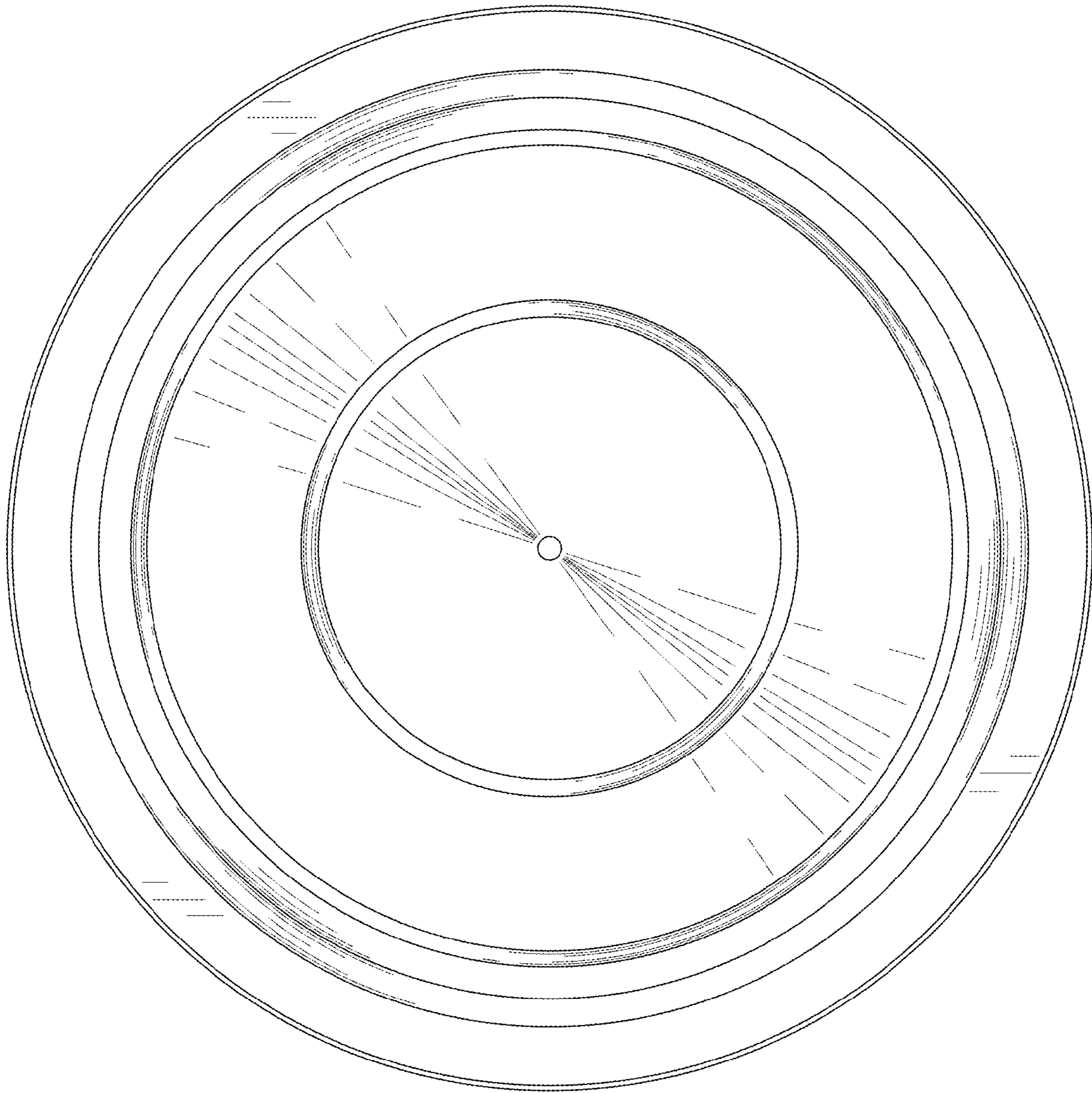


FIG. 2

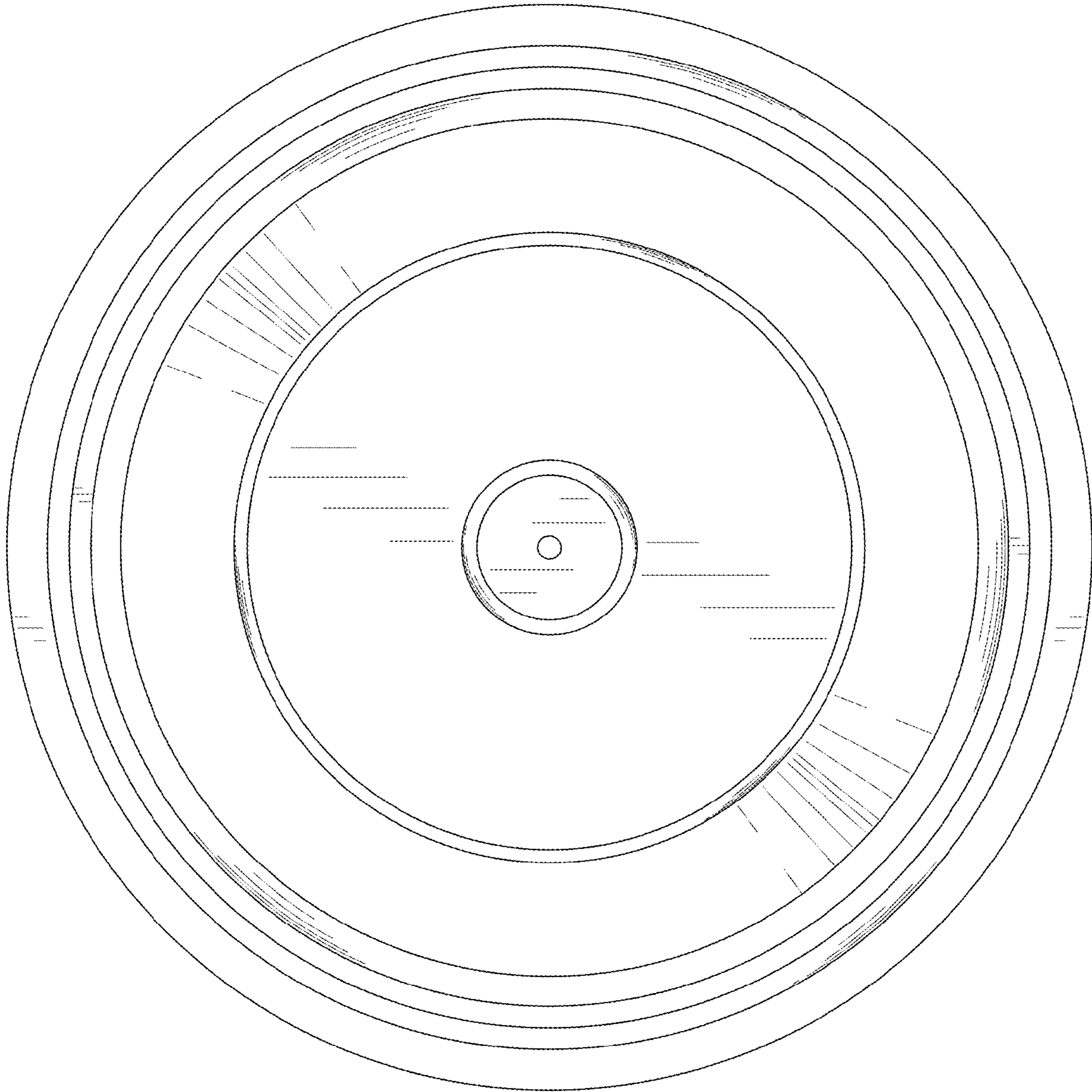


FIG. 3

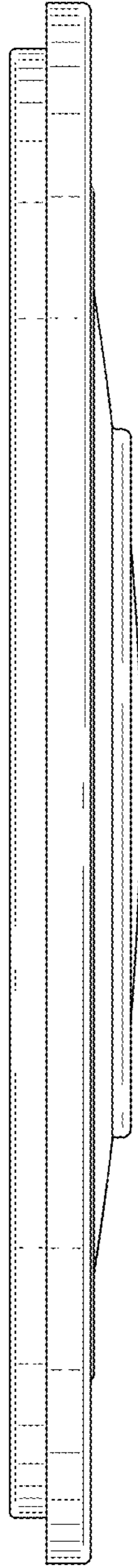


FIG. 4

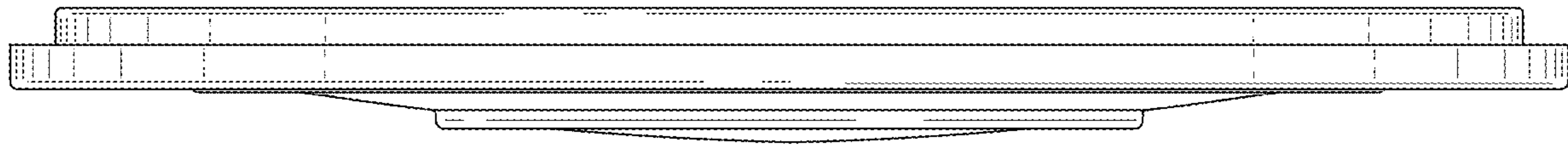


FIG. 5

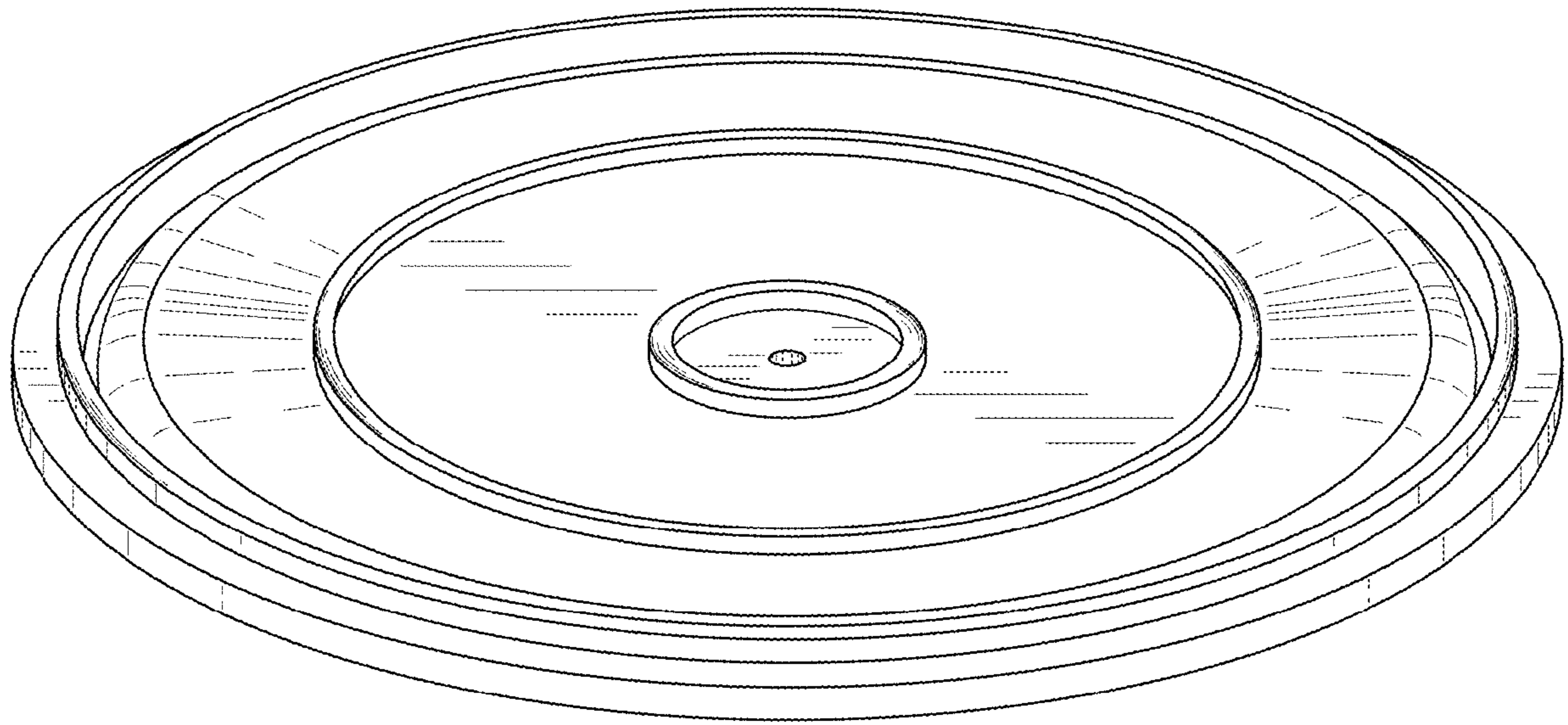


FIG. 6