



US00D955155S

(12) **United States Design Patent**
Wang

(10) **Patent No.:** **US D955,155 S**
(45) **Date of Patent:** **** Jun. 21, 2022**

(54) **FRENCH PRESS COFFEE MAKER**

(71) Applicant: **SHENZHEN LIYIJIUJIU NETWORK TECHNOLOGY CO., LTD.**, Shenzhen (CN)

(72) Inventor: **Xuzhong Wang**, Dongguan (CN)

(73) Assignee: **SHENZHEN LIYIJIUJIU NETWORK TECHNOLOGY CO., LTD.**, Shenzhen (CN)

(**) Term: **15 Years**

(21) Appl. No.: **29/724,554**

(22) Filed: **Feb. 18, 2020**

(51) **LOC (13) Cl.** **07-01**

(52) **U.S. Cl.**
USPC **D7/319; D7/317**

(58) **Field of Classification Search**
USPC D7/300, 302, 303, 312, 316-319, 321, D7/322, 373, 399, 415, 507, 509-511, D7/600; D10/46.2; D9/524, 526, 527; D23/209

CPC A47G 19/14; A47G 19/145; A47G 19/16; A47J 31/005; A47J 31/18; A47J 31/20; A47J 31/38; B65D 23/06

See application file for complete search history.

(56) **References Cited**

U.S. PATENT DOCUMENTS

D377,132 S *	1/1997	Järgensen	D7/318
D383,638 S *	9/1997	Joergensen	D7/317
D383,639 S *	9/1997	Jorgensen	D7/318
D384,539 S *	10/1997	Joergensen	D7/316
D384,540 S *	10/1997	Joergensen	D7/317
D386,040 S *	11/1997	Joergensen	D7/317
D386,351 S *	11/1997	Joergensen	D7/317
D458,074 S *	6/2002	Bodum	A47J 31/20
				D7/317
D513,919 S *	1/2006	Bodum	D7/317

D559,028 S *	1/2008	Appleton	D7/317
D565,887 S *	4/2008	Bodum	D7/317
D567,006 S *	4/2008	Bodum	D7/317
D567,007 S *	4/2008	Bodum	D7/317

(Continued)

FOREIGN PATENT DOCUMENTS

CA	80204	*	3/1997
CN	305841243	*	6/2020

(Continued)

OTHER PUBLICATIONS

Protej, "Empty french press with ground coffee stock photo," Oct. 18, 2007, iStock, www.istockphoto.com/photo/empty-french-press-with-ground-coffee-gm96700078-4461155 (Year: 2007).*

(Continued)

Primary Examiner — Joseph Kukella
Assistant Examiner — Arva P Adams

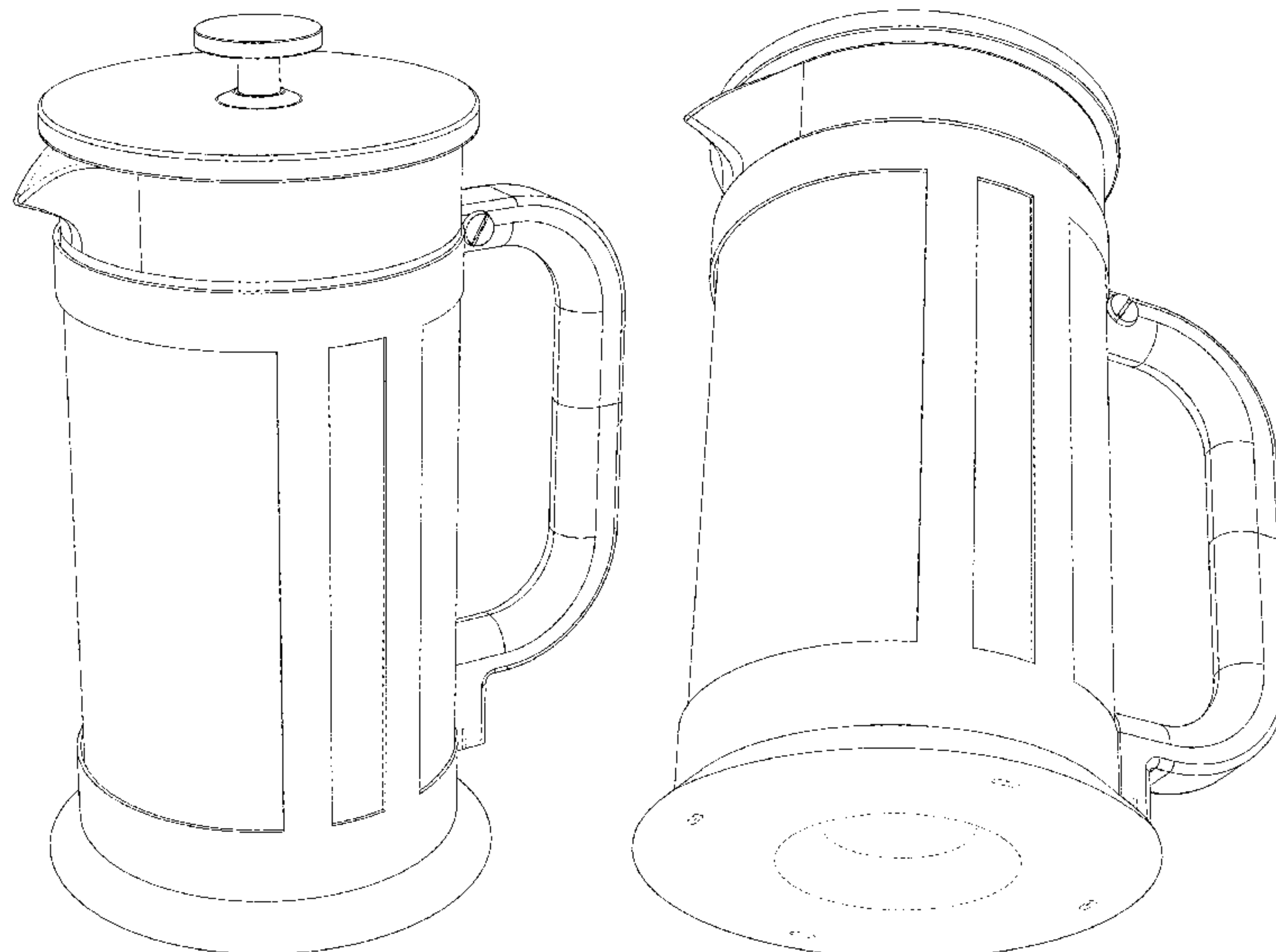
(57) **CLAIM**

The ornamental design for a French press coffee maker, as shown and described.

DESCRIPTION

FIG. 1 is a top-right perspective view of a French press coffee maker, showing my new design; FIG. 2 is a bottom-right perspective view thereof; FIG. 3 is a front elevational view thereof; FIG. 4 is a rear elevational view thereof; FIG. 5 is a bottom plan view thereof; FIG. 6 is a top plan view thereof; FIG. 7 is a right side elevational view thereof; and, FIG. 8 is a left side elevational view thereof. The broken lines in the drawings depict portions of the French press coffee maker that form no part of the claimed design.

1 Claim, 8 Drawing Sheets



(56)

References Cited

OTHER PUBLICATIONS

U.S. PATENT DOCUMENTS

D594,267 S * 6/2009 Bodum D7/317
 D594,687 S * 6/2009 Bodum D7/300
 D610,860 S * 3/2010 Bodum D7/319
 D654,756 S * 2/2012 Bodum D7/319
 D663,155 S * 7/2012 Bodum D7/319
 D677,103 S * 3/2013 Melzer D7/319
 D718,566 S * 12/2014 Lu D7/319
 D718,567 S * 12/2014 Lu D7/319
 D755,018 S * 5/2016 Liotta D7/622
 D795,630 S * 8/2017 McLean D7/317
 D802,977 S * 11/2017 Bodum D7/317
 2011/0088561 A1 * 4/2011 Bodum A47J 31/20
 99/297
 2021/0085121 A1 * 3/2021 Liang A47J 31/20

FOREIGN PATENT DOCUMENTS

EM 000842489-0002 * 1/2008
 ES D0511503-01 * 1/2011
 JP D1541678 * 1/2016
 WO WO-D072507-001 * 4/2010
 WO WO-D094953-001 * 3/2017

OXO, "Happy National Cappuccino Day!", Nov. 8, 2012, Facebook, www.facebook.com/OXO/photos/a.186300426872/10151316658901873 (Year: 2012).*

Yolkshire, "A piping hot French Press Coffee is just what you need when the #WinterIsComing," Jul. 17, 2017, Instagram, www.instagram.com/p/BWojNdbAN8K/ (Year: 2017).*

Woodshedstudio, "Snowy New England night=French press coffee.", Jan. 31, 2017, Instagram, www.instagram.com/p/BP8pBWSgNGX/ (Year: 2017).*

Creative Home, "Creative Home Glass French Press Coffee Plunger/Tea Maker," Oct. 11, 2017, Amazon.com, www.amazon.com/dp/B076CH3TSL (Year: 2017).*

Primulaproducts, "Ain't no coffee like French press coffee.," Sep. 1, 2018, Instagram, www.instagram.com/p/BnMaKOWIL4h/ (Year: 2018).*

Veken, Veken French Press Coffee Maker, Jan. 29, 2019, Amazon.com, www.amazon.com/dp/B07N79SQYT (Year: 2019).*

Fieldstadt, Elisha, "Starbucks recalls Bodum coffee press after reports of lacerations," May 2, 2019, NBCNews.com, www.nbcnews.com/news/US-news/starbucks-recalls-bodum-coffee-press-after-reports-lacerations-n1001151 (Year: 2019).*

* cited by examiner

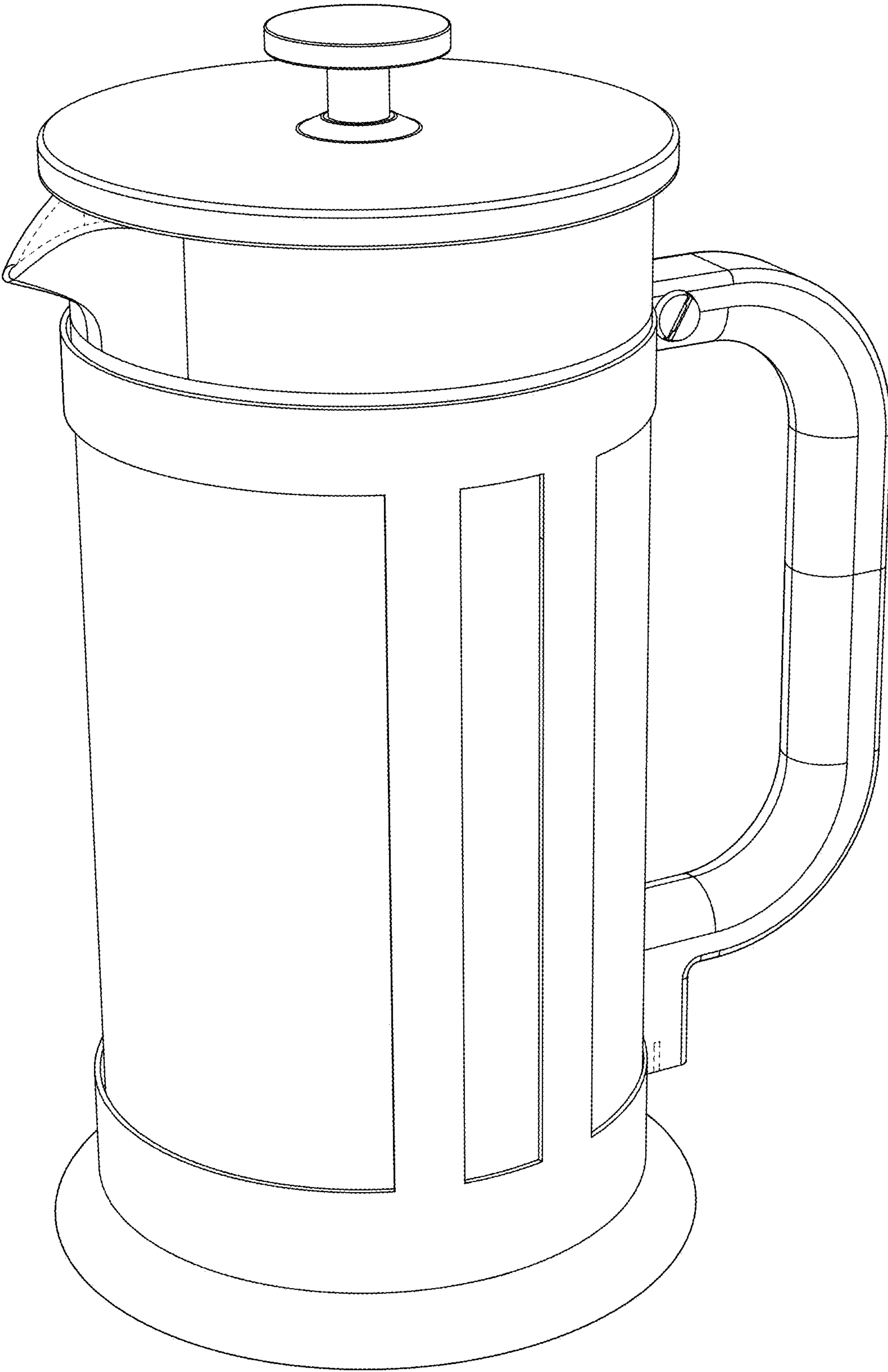


FIG. 1

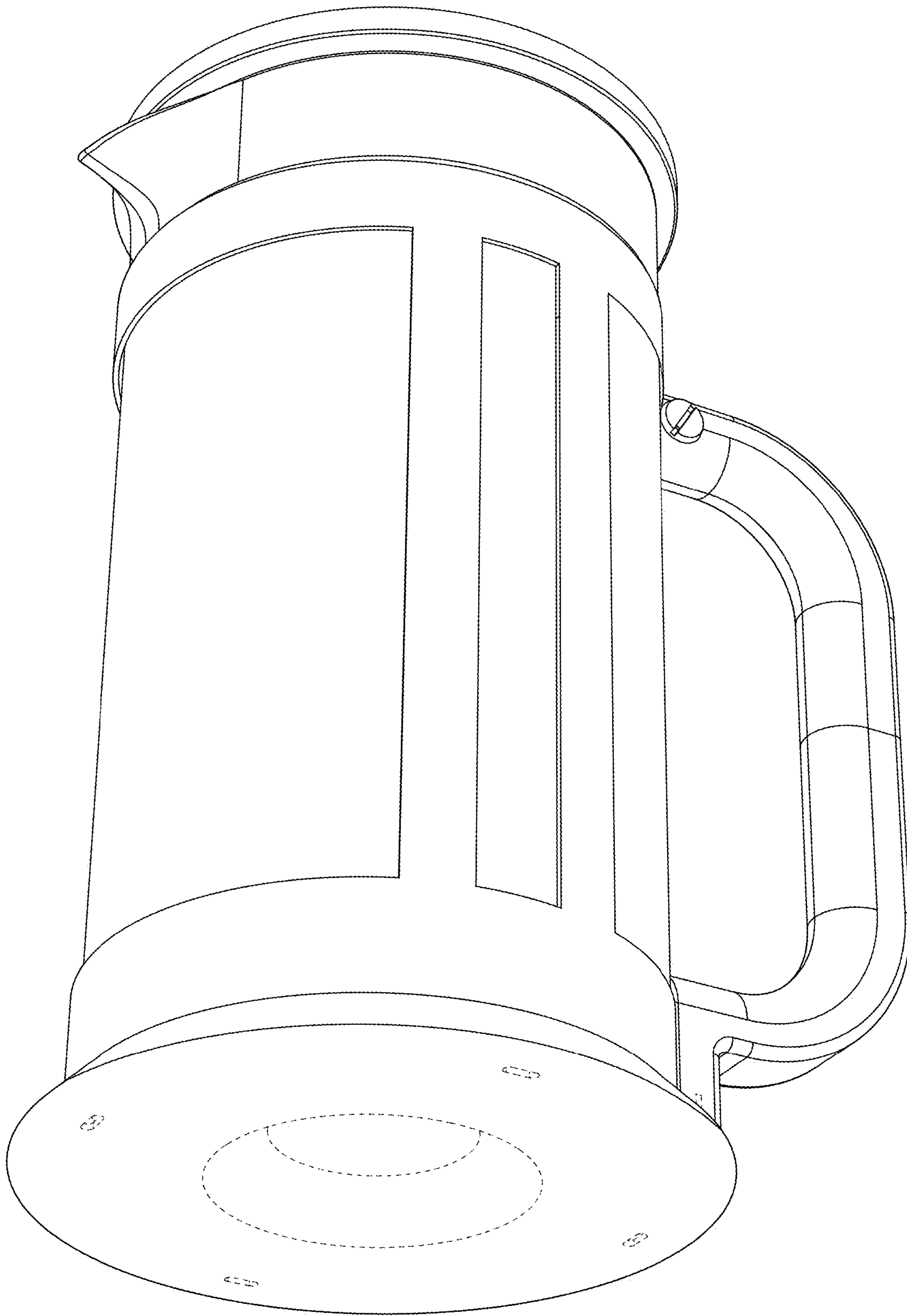


FIG. 2

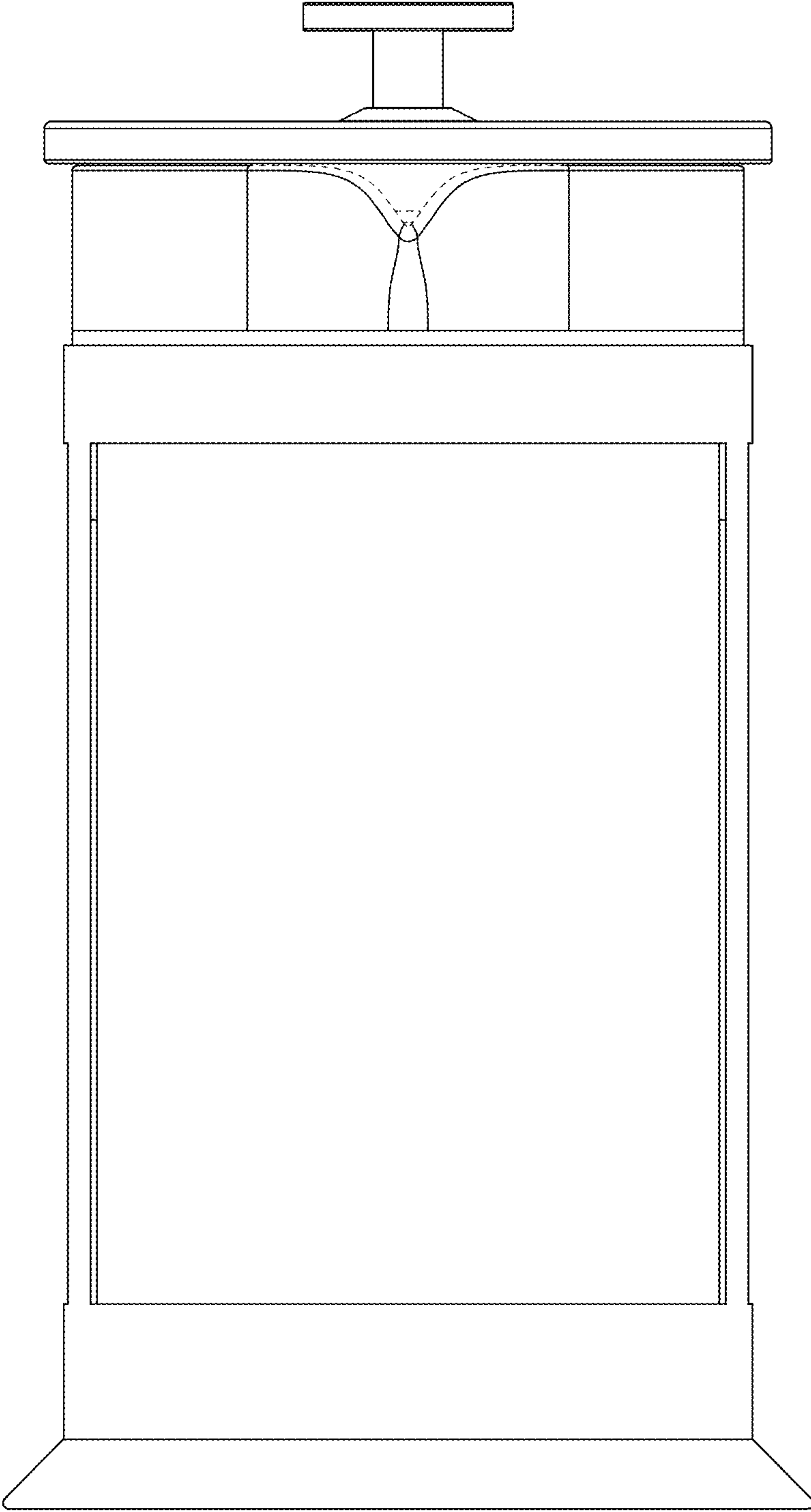


FIG. 3

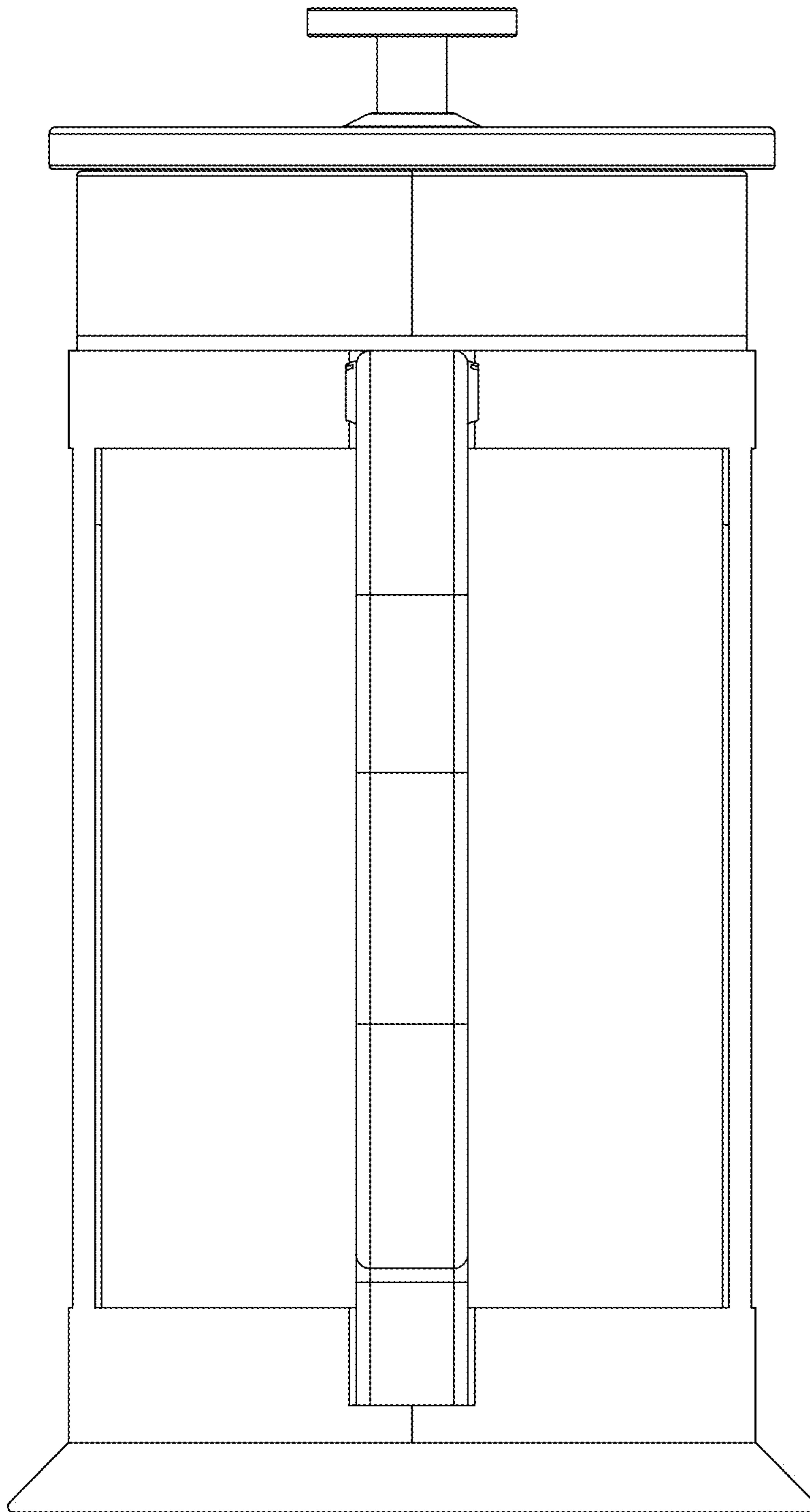


FIG. 4

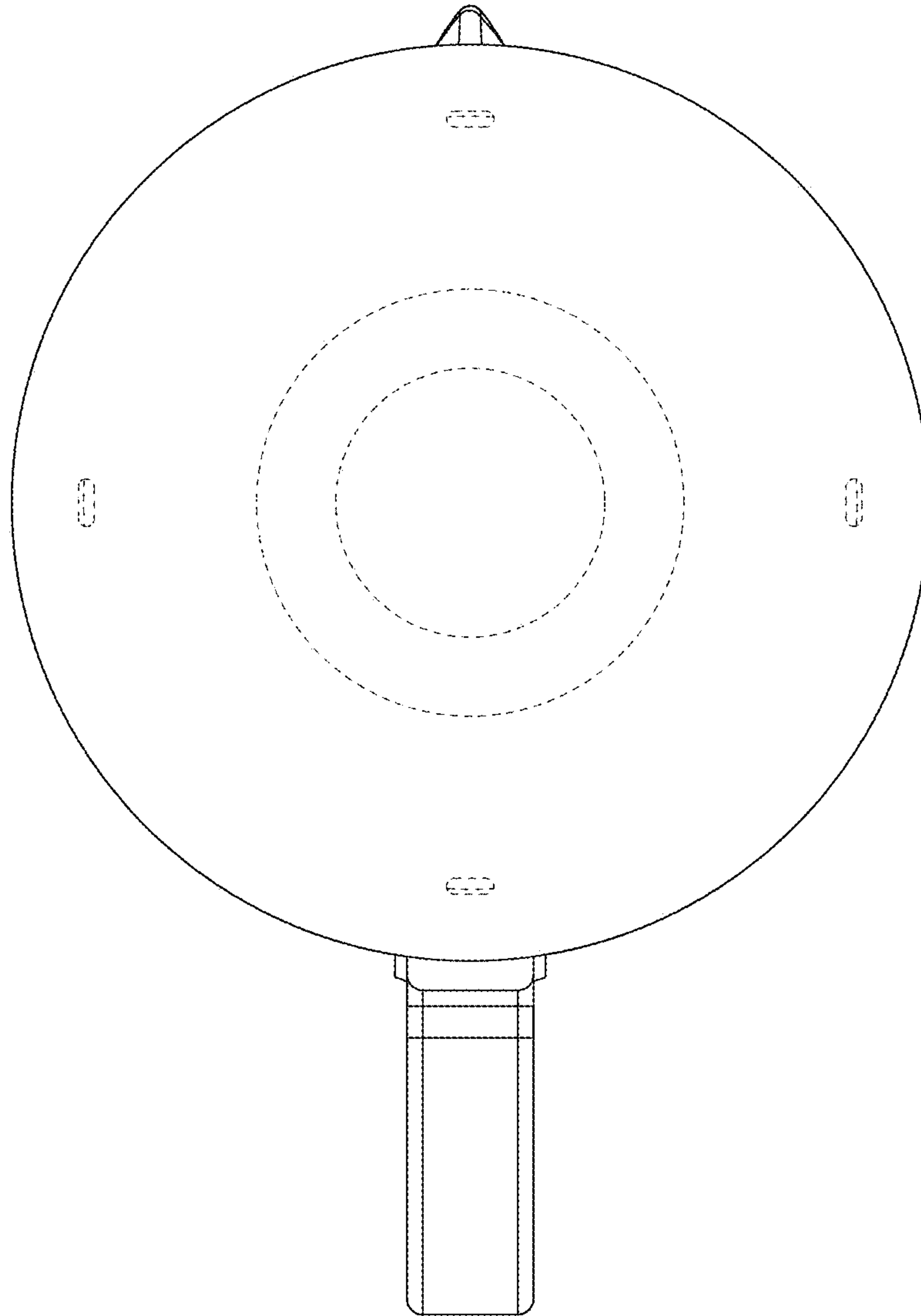


FIG. 5

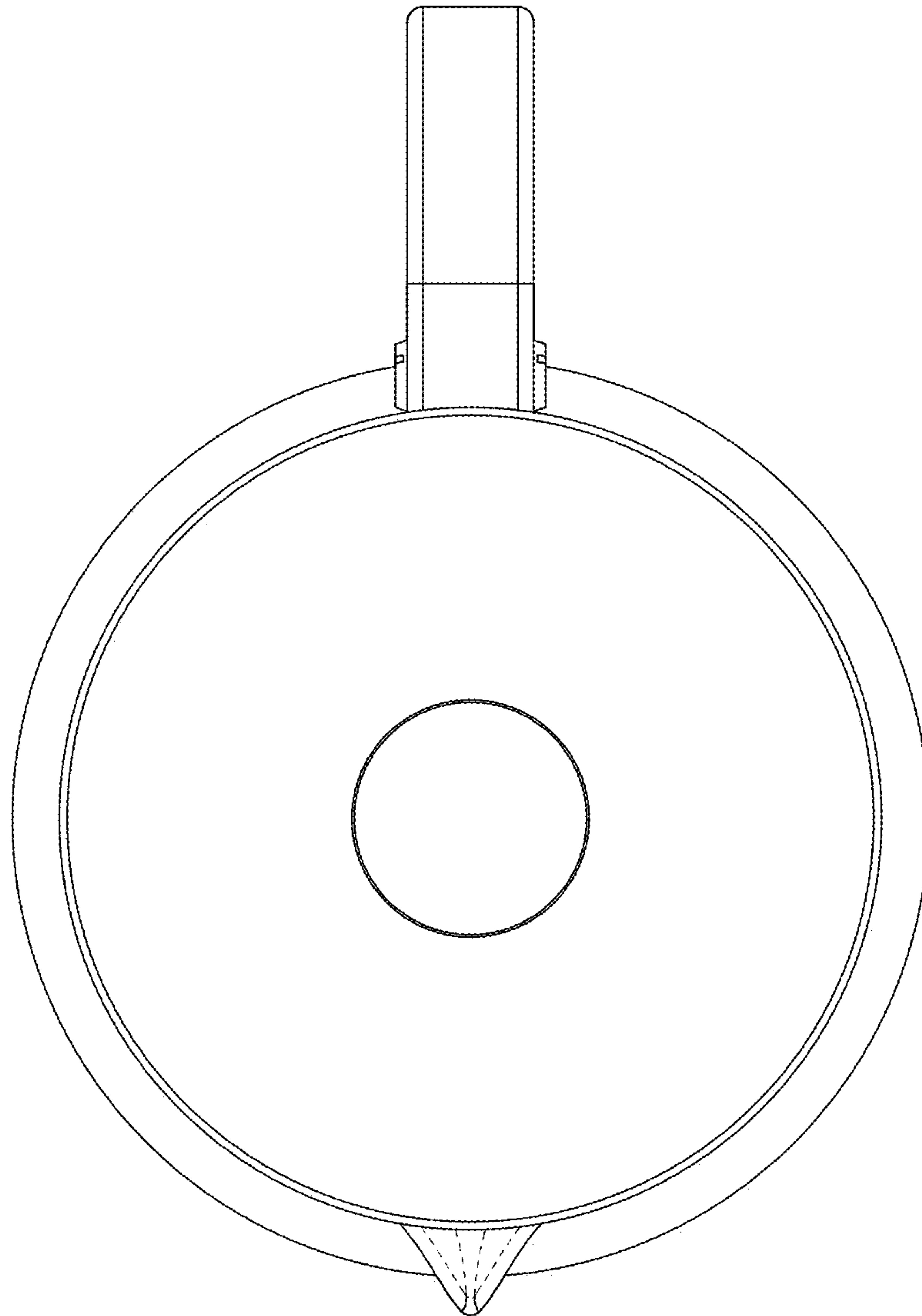


FIG. 6

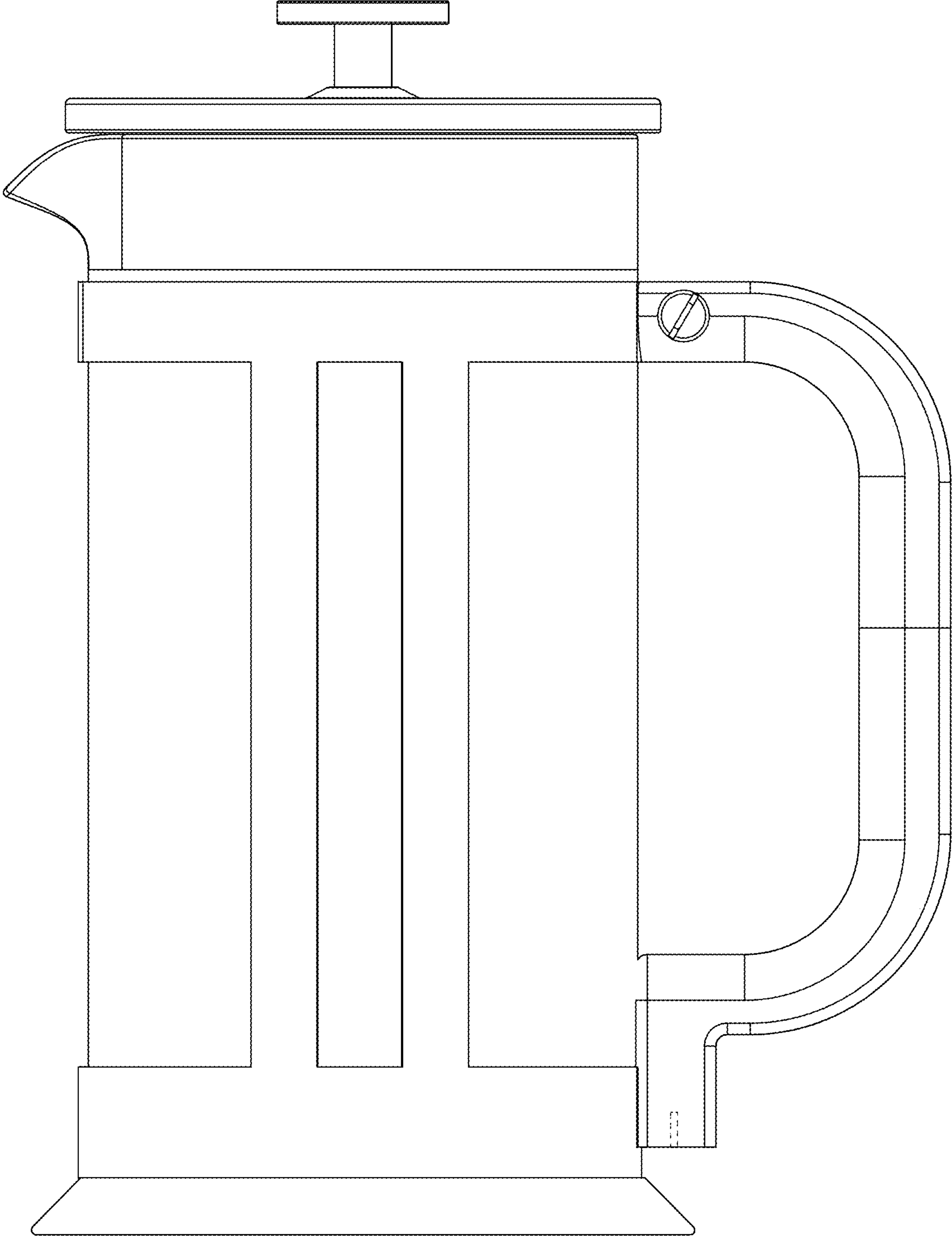


FIG. 7

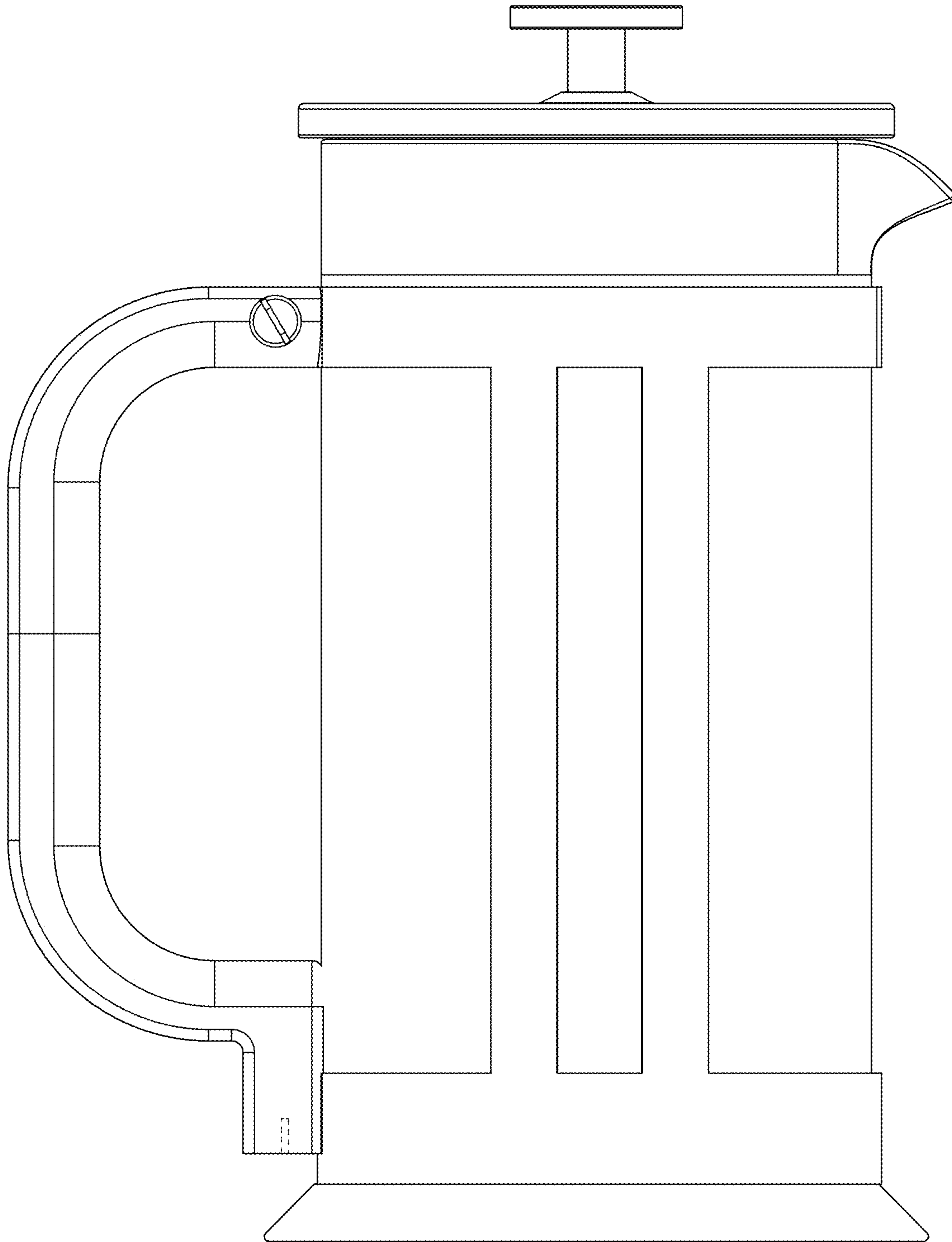


FIG. 8