



US00D955153S

(12) **United States Design Patent**
Money Penny

(10) **Patent No.:** **US D955,153 S**

(45) **Date of Patent:** **** Jun. 21, 2022**

(54) **COFFEE MAKER**

D891,167 S * 7/2020 Wang D7/310
D894,658 S * 9/2020 Davenport D7/309
2017/0099983 A1* 4/2017 Hanes A47J 31/465

(71) Applicant: **CONAIR CORPORATION**, Stamford,
CT (US)

(72) Inventor: **Mark Joseph Money Penny**, New
Haven, CT (US)

(73) Assignee: **Conair LLC**, Stamford, CT (US)

(**) Term: **15 Years**

(21) Appl. No.: **29/764,505**

(22) Filed: **Dec. 30, 2020**

(51) **LOC (13) Cl.** **07-01**

(52) **U.S. Cl.**
USPC **D7/309; D7/306**

(58) **Field of Classification Search**
USPC D7/300, 305, 306, 309-311, 355, 362,
D7/365, 367, 397
CPC A47J 31/46; A47J 31/407; A47J 31/50;
A47J 31/18; A47J 31/00; A47J 31/0573;
A47J 31/52; A47J 27/04
See application file for complete search history.

(56) **References Cited**

U.S. PATENT DOCUMENTS

D524,588 S * 7/2006 Copland D7/309
D564,280 S * 3/2008 Ting D7/309
D788,510 S * 6/2017 Steiner D7/309
D792,739 S * 7/2017 Palermo D7/397
D873,596 S * 1/2020 Steiner D7/309
D885,817 S * 6/2020 Ye D7/306

OTHER PUBLICATIONS

Cuisinart DGB-450 | posted at Amazon.com, posted on Jul. 21, 2020, © 1996-2022 Amazon.com, [online], [site visited Feb. 8, 2022]. Available from Internet, <URL:https://www.amazon.com/Cuisinart-DGB-450-Automatic-Thermal-Coffeemaker/dp/B08DCPFJP6/> (Year: 2020).*

* cited by examiner

Primary Examiner — Andrew Kerr

(74) *Attorney, Agent, or Firm* — Ohlandt, Greeley,
Ruggiero & Perle, L.L.P.

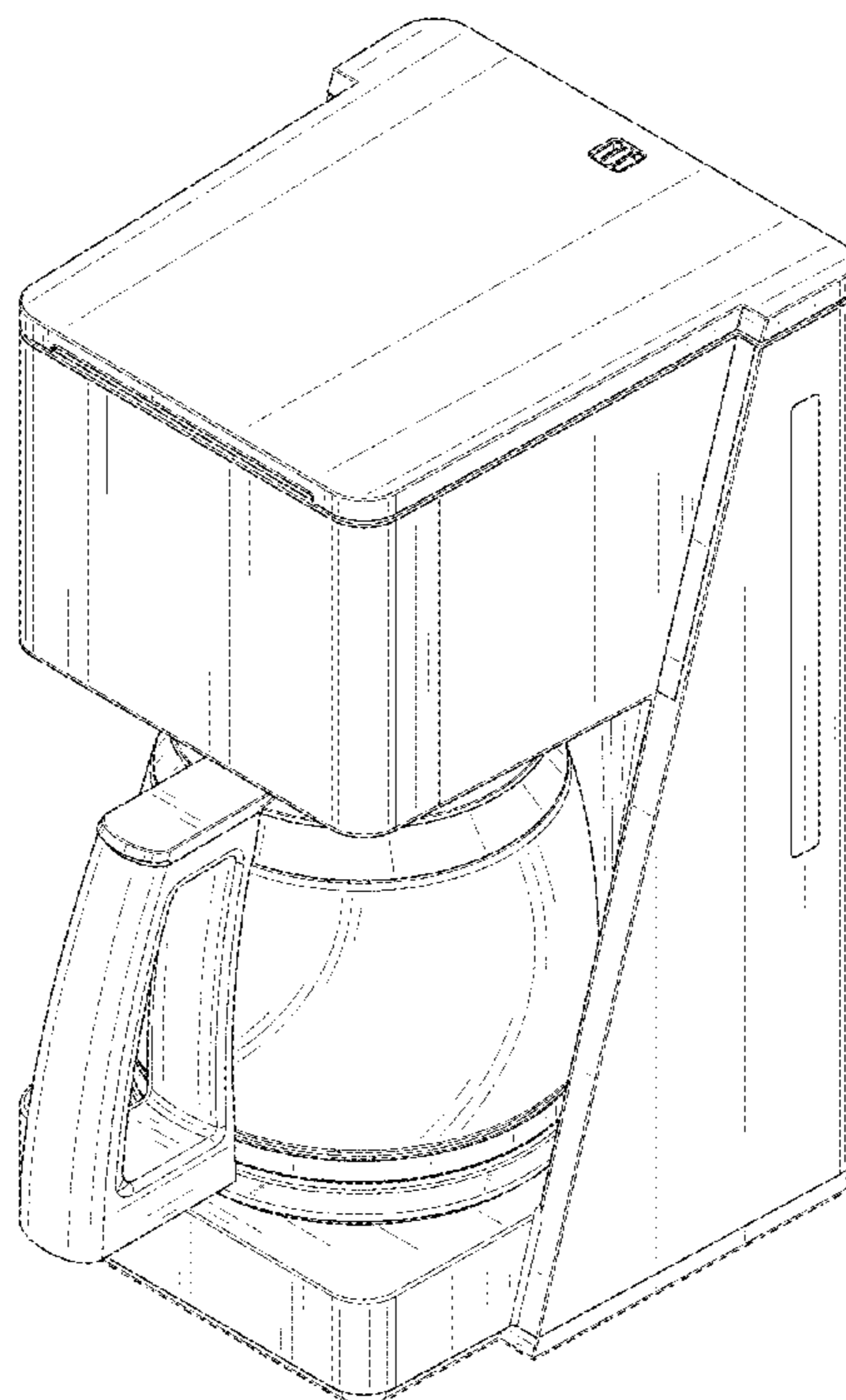
(57) **CLAIM**

The ornamental design for a coffee maker, as shown and described.

DESCRIPTION

FIG. 1 is a front perspective view of an ornamental design for a coffee maker showing my new design;
FIG. 2 is a front elevational view of the coffee maker of FIG. 1;
FIG. 3 is a rear elevational view of the coffee maker of FIG. 1;
FIG. 4 is a left side elevational view of the coffee maker of FIG. 1;
FIG. 5 is a right side elevational view of the coffee maker of FIG. 1;
FIG. 6 is a top plan view of the coffee maker of FIG. 1; and,
FIG. 7 is a bottom plan view of the coffee maker of FIG. 1.
The broken lines in the drawings depict portions of the coffee maker that form no part of the claimed design.

1 Claim, 7 Drawing Sheets



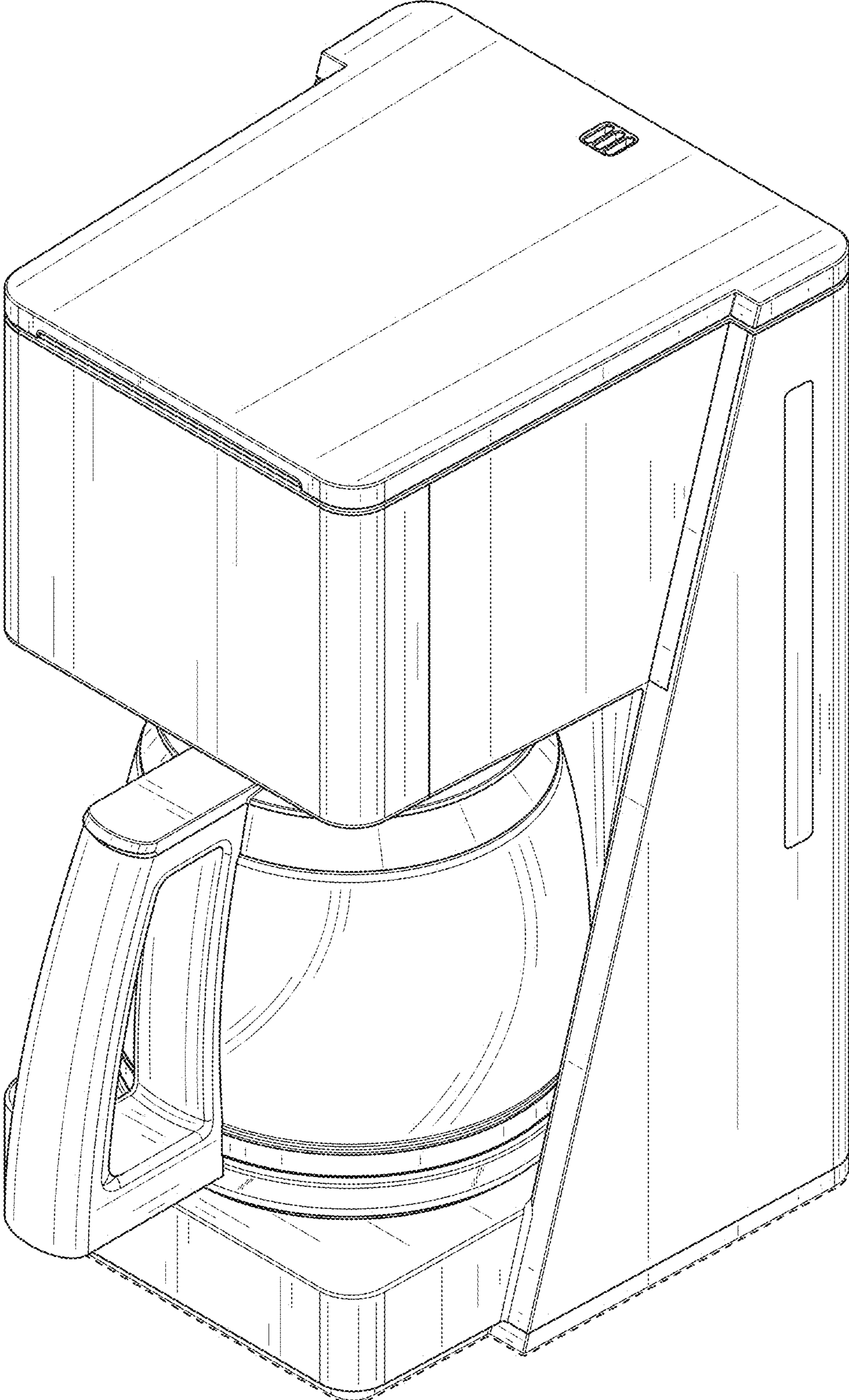


FIG. 1

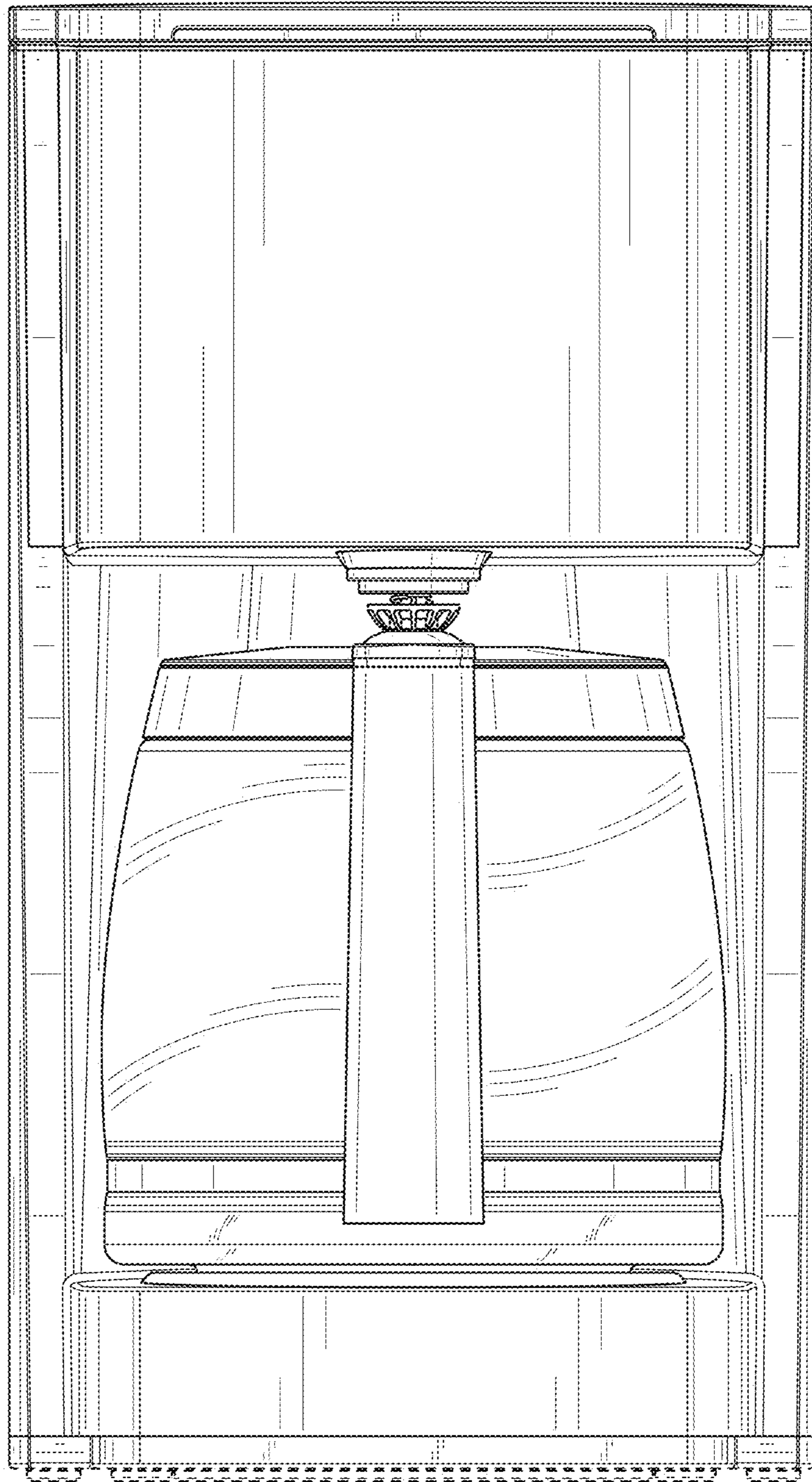


FIG. 2

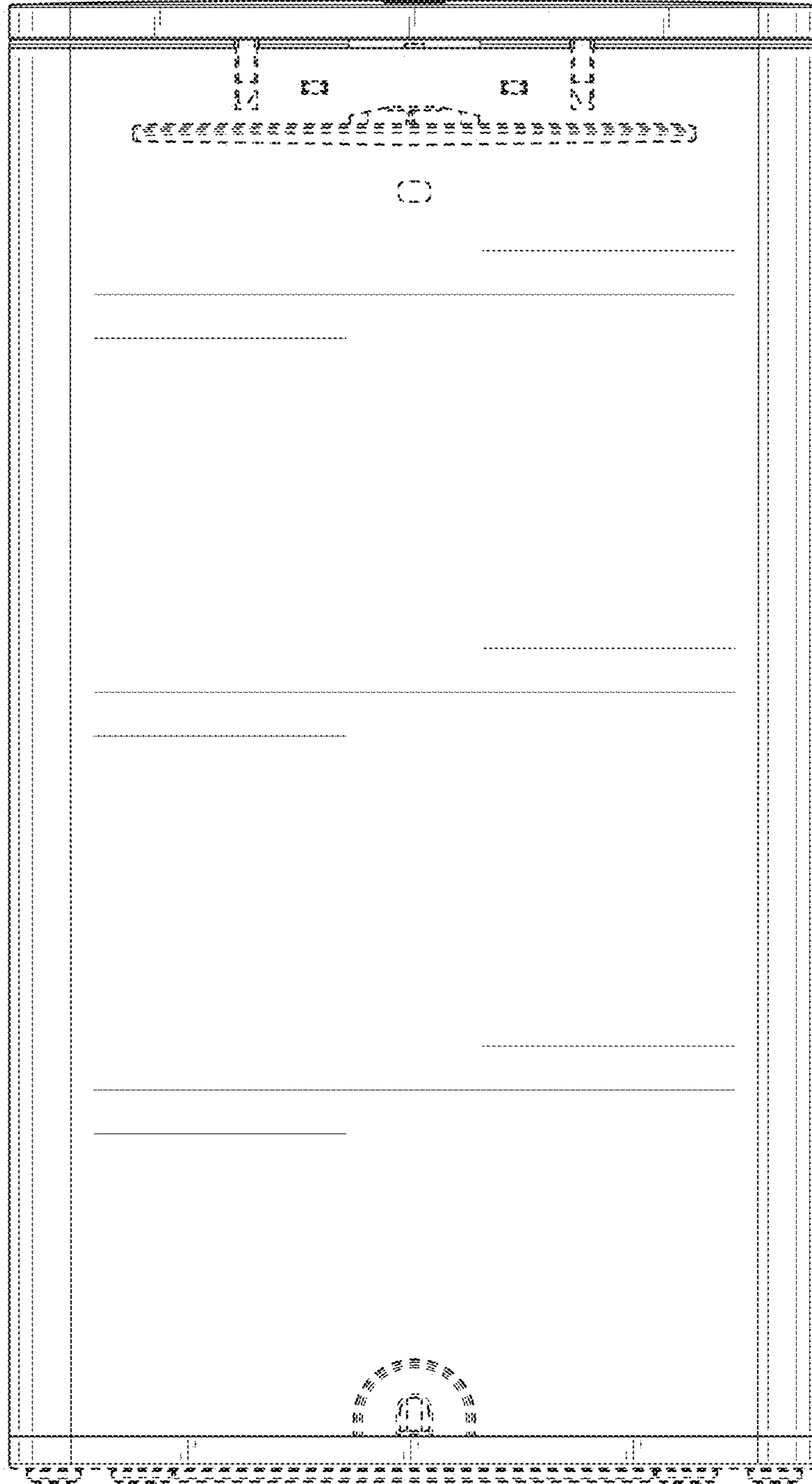


FIG. 3

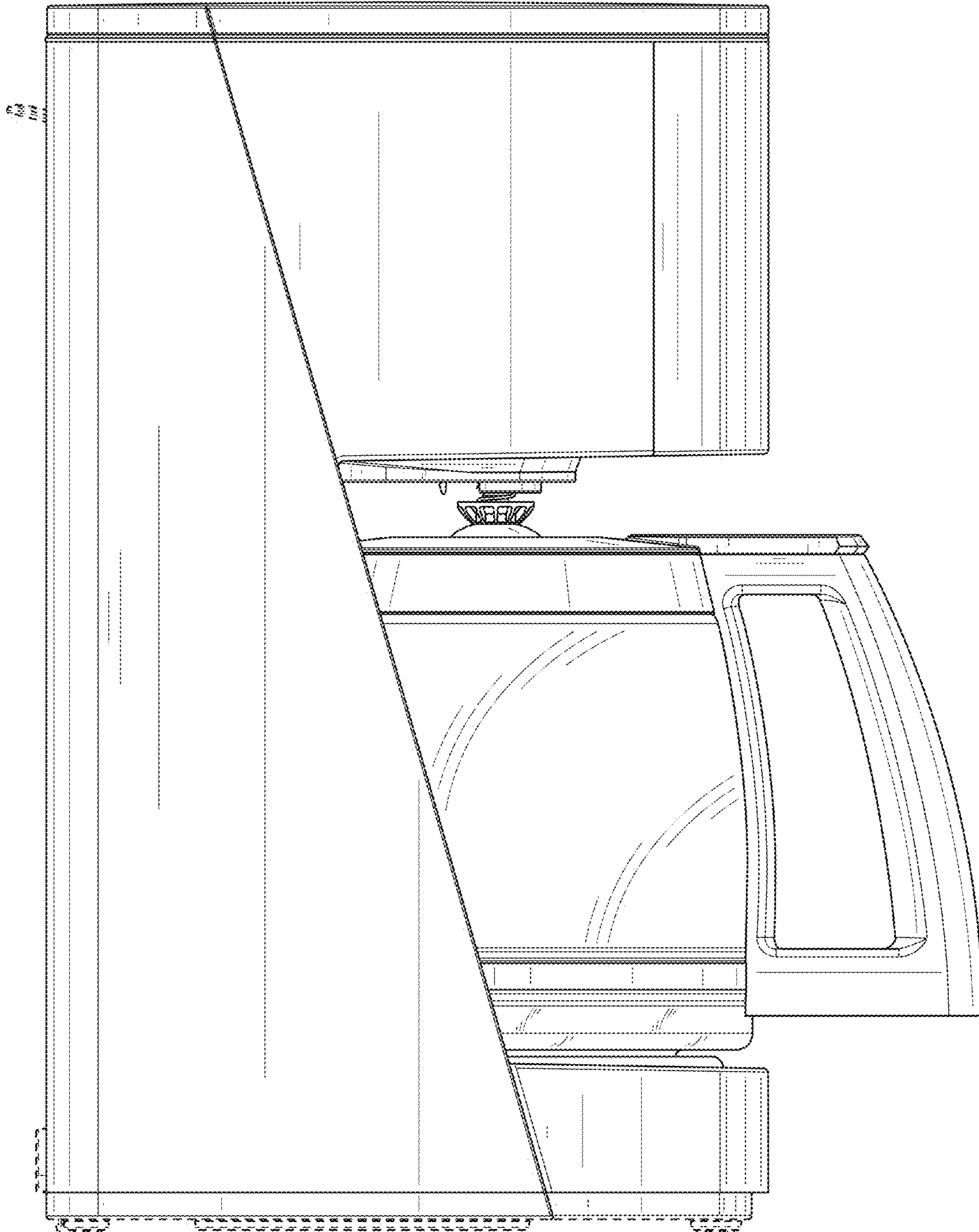


FIG. 4

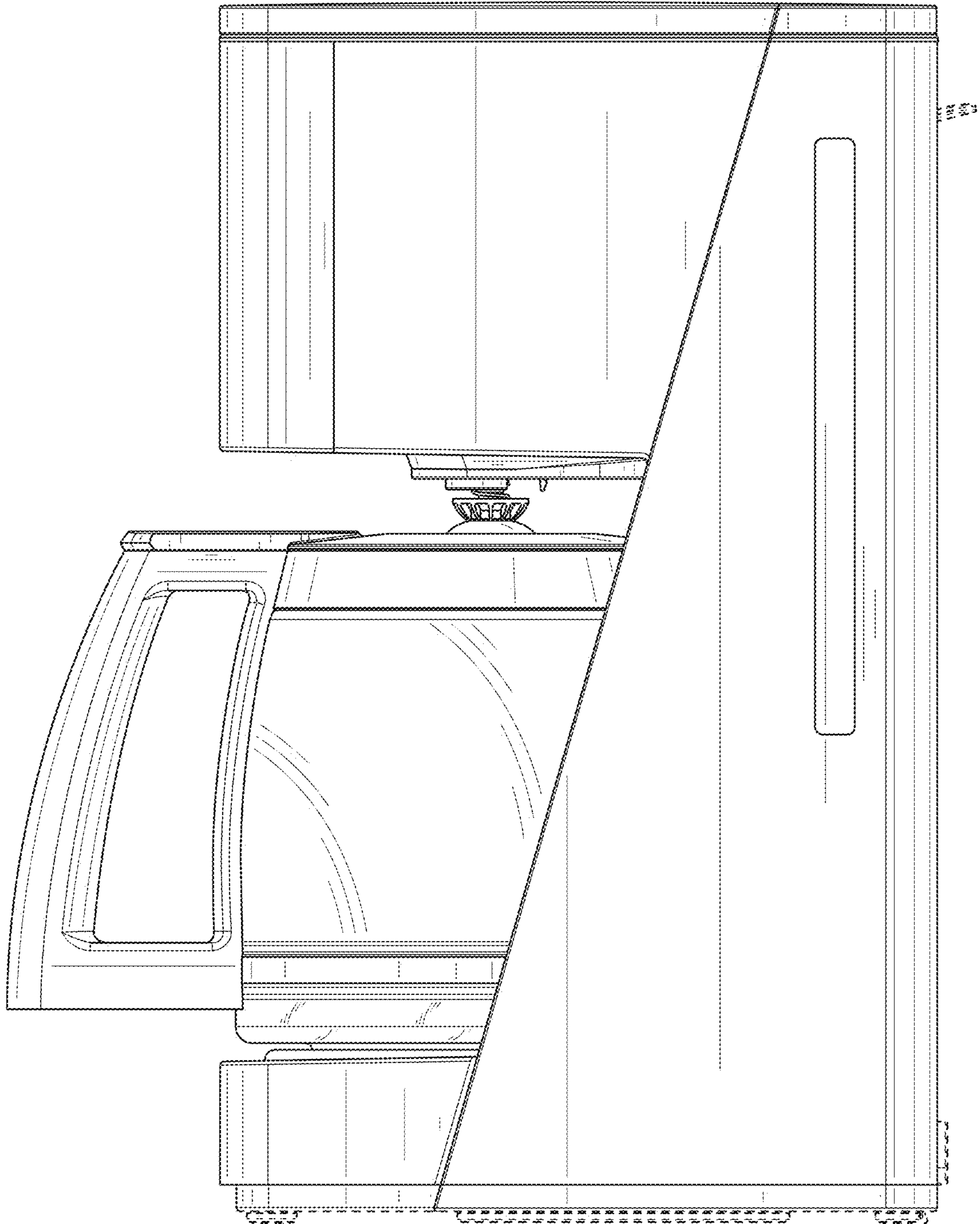


FIG. 5

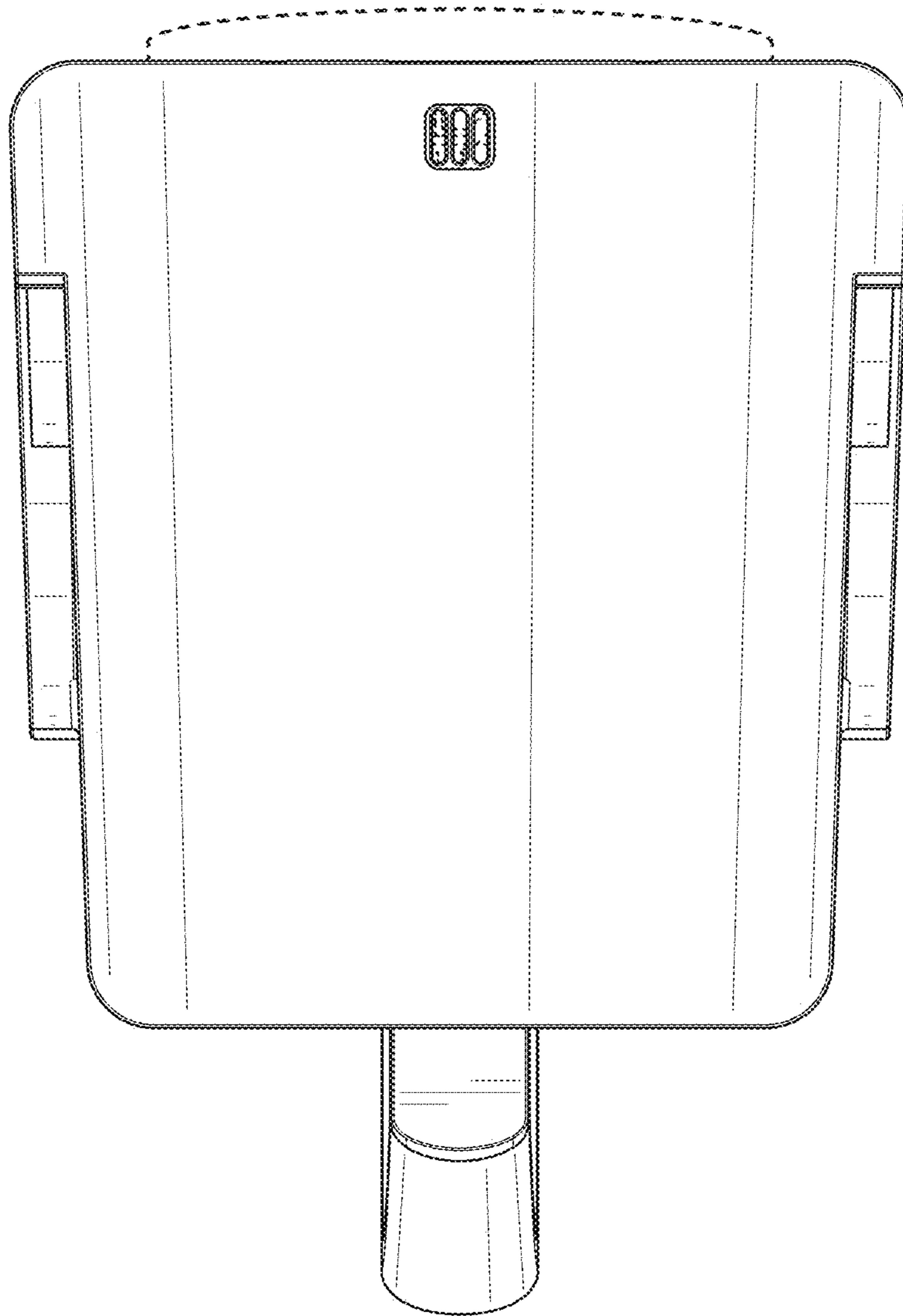


FIG. 6

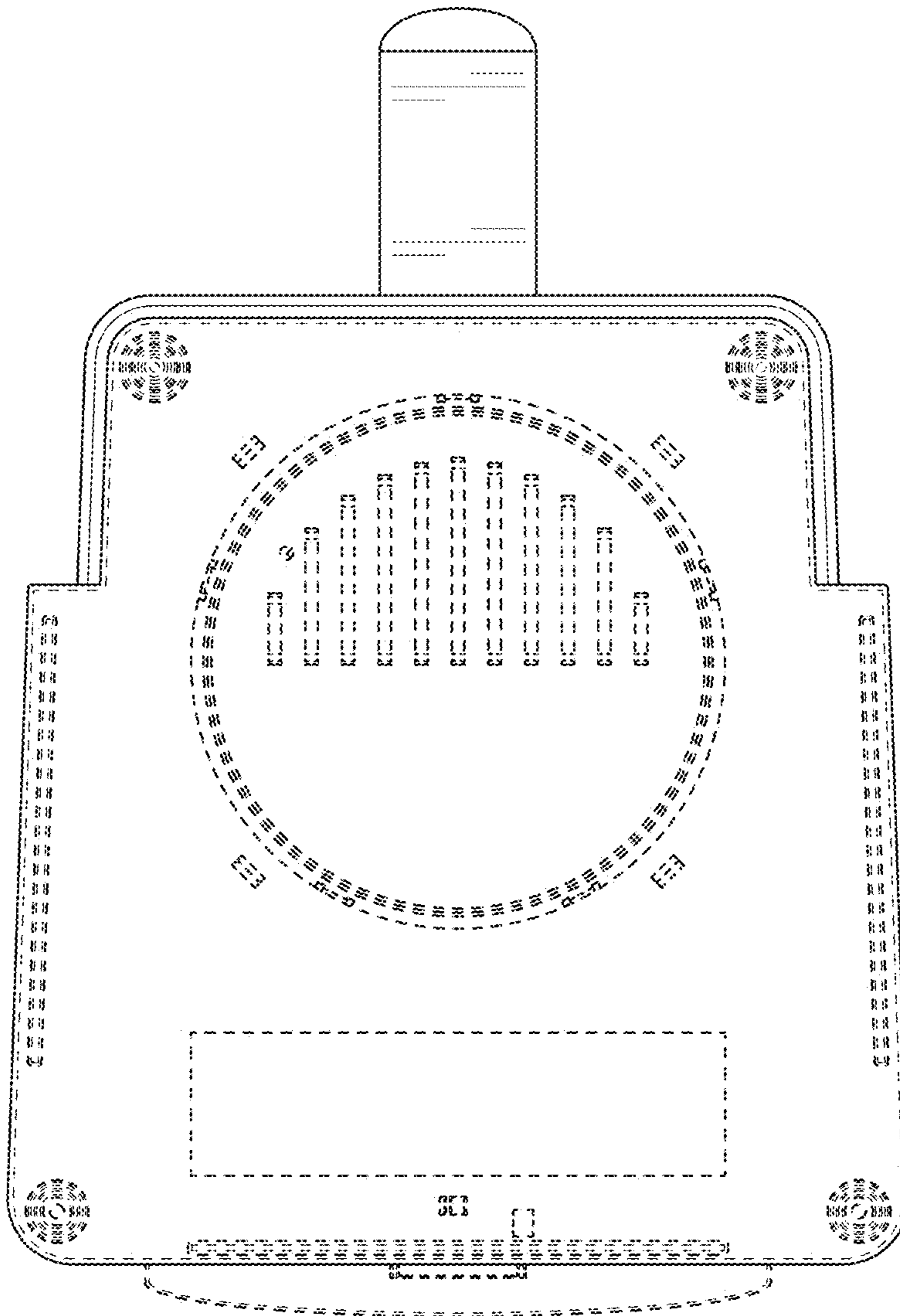


FIG. 7