



US00D955151S

(12) **United States Design Patent**  
**Kettavong**

(10) **Patent No.:** **US D955,151 S**  
(45) **Date of Patent:** **\*\* Jun. 21, 2022**

- (54) **BEVERAGE DISPENSER**
- (71) Applicant: **Vita-Mix Management Corporation**,  
Olmsted Township, OH (US)
- (72) Inventor: **Phonesacksith Guy Kettavong**,  
Medina, OH (US)
- (73) Assignee: **Vita-Mix Management Corporation**,  
Olmsted Township, OH (US)
- (\*\*) Term: **15 Years**
- (21) Appl. No.: **29/721,632**
- (22) Filed: **Jan. 22, 2020**
- (51) **LOC (13) Cl.** ..... **31-00**
- (52) **U.S. Cl.**  
USPC ..... **D7/306; D7/307; D7/378**
- (58) **Field of Classification Search**  
USPC ..... D7/300–322, 378, 397–400, 602, 603,  
D7/700; D9/417, 447, 524–526, 530,  
D9/572, 575, 633; D15/81, 82; D20/1;  
D23/201, 205, 209; D24/216, 220, 224;  
D30/121, 132; D34/39; 99/275, 276  
CPC ..... A47J 31/00; A47J 31/007; A47J 31/057;  
A47J 31/10; A47J 31/3676; A47J 31/40;  
A47J 31/402; A47J 31/404; A47J 31/41;  
A47J 31/4482; A47J 31/4489; A47J  
43/042; A47J 43/27; A47J 2043/04454;  
B67D 1/00; B67D 1/0004; B67D 1/0021;  
B67D 1/0078; B67D 1/0462; B67D  
1/0801; B67D 1/0872; B67D 1/1252;  
B67D 2001/0087; B67D 2001/0098;  
B67D 2001/0822; B67D 3/0032; B67D  
3/0035; B67D 7/82; B67D 7/84; C02F  
1/002; C02F 1/003; C12C 11/00; C12C  
11/006; C12C 13/10  
See application file for complete search history.

- D430,770 S \* 9/2000 Kirkwood ..... D7/307
  - D436,789 S \* 1/2001 Dickson, Jr. .... D7/306
  - D482,231 S \* 11/2003 Dickson, Jr. .... D7/306
  - D562,051 S \* 2/2008 Hulett ..... D7/306
  - D580,208 S \* 11/2008 Cheng ..... D7/306
  - D583,608 S \* 12/2008 Kato ..... D7/306
  - D696,889 S \* 1/2014 Poniedzialek ..... D7/309
  - D711,189 S \* 8/2014 Everard ..... D7/397
- (Continued)

**OTHER PUBLICATIONS**

Media Relations—Images, Vitamix, [online], [site visited Sep. 7, 2021], Available from internet URL: [https://www.vitamix.com/us/en\\_us/Corporate-Information/Media-Center/Media-Relations/Images?filterBy=ctmediaimagescommercial](https://www.vitamix.com/us/en_us/Corporate-Information/Media-Center/Media-Relations/Images?filterBy=ctmediaimagescommercial) (Year: 2021).\*

(Continued)

*Primary Examiner* — Mary Ann Calabrese  
*Assistant Examiner* — Natalya M Rapundalo  
(74) *Attorney, Agent, or Firm* — McDonald Hopkins LLC

(57) **CLAIM**

The ornamental design for a beverage dispenser, as shown and described.

**DESCRIPTION**

FIG. 1 is a perspective view of a beverage dispenser showing my new design;  
FIG. 2 is a front view thereof;  
FIG. 3 is a rear view thereof;  
FIG. 4 is a first side view thereof;  
FIG. 5 is a second side view thereof;  
FIG. 6 is a top view thereof; and,  
FIG. 7 is a bottom view thereof.

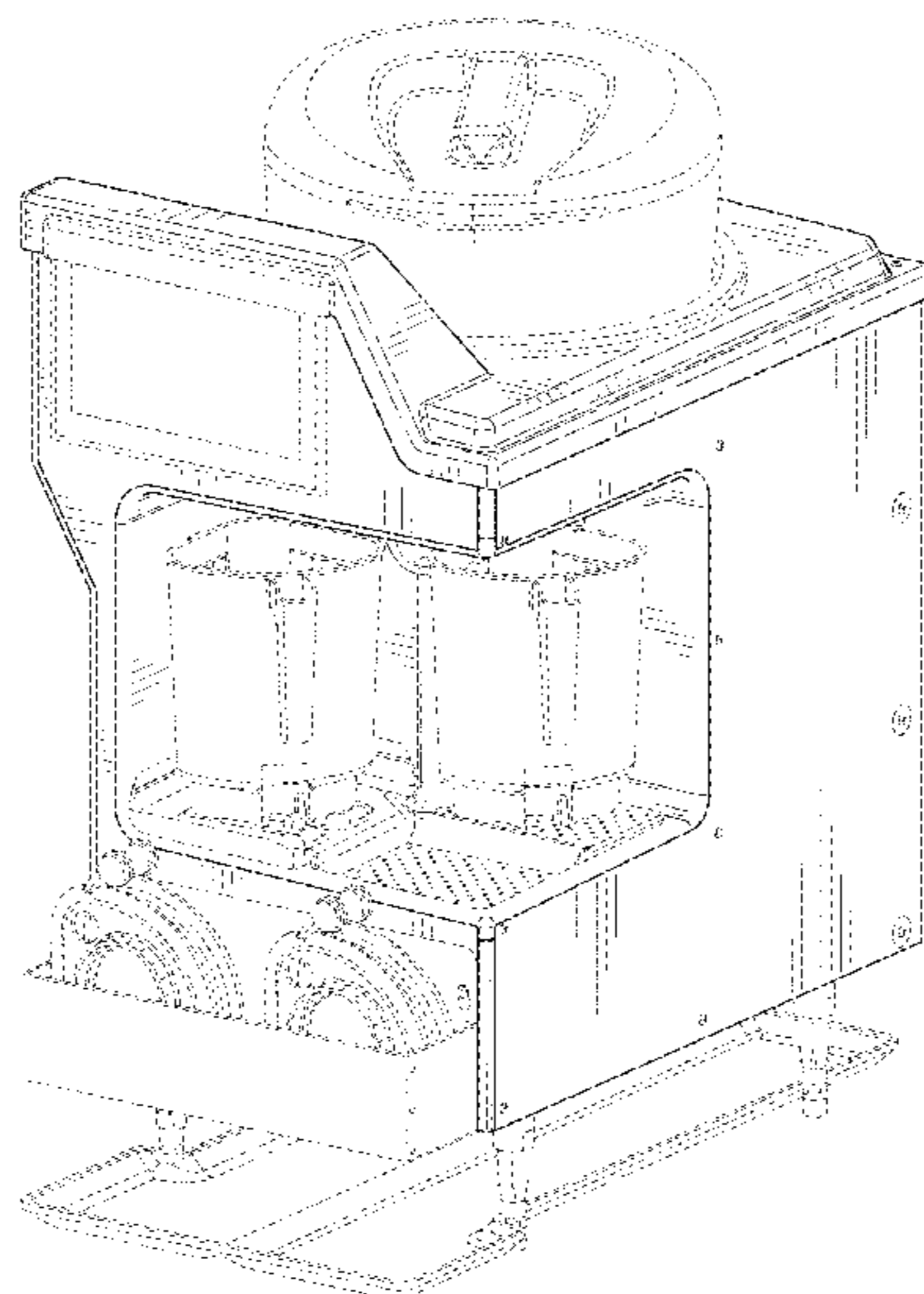
The broken lines in the figures are included for the purpose of illustrating portions of a beverage dispenser and form no part of the claimed design.

**1 Claim, 7 Drawing Sheets**

(56) **References Cited**

**U.S. PATENT DOCUMENTS**

- D202,462 S \* 10/1965 Lofgren ..... A47J 31/40  
D7/309
- D351,965 S \* 11/1994 Credle, Jr. .... D7/300



(56)

**References Cited**

U.S. PATENT DOCUMENTS

10,172,373 B2 *	1/2019	Kolar .....	A47J 31/40
D879,535 S *	3/2020	Ricica .....	A47J 31/40
			D7/309
D883,740 S *	5/2020	Okmen .....	A23G 9/22
			D7/308
2001/0028913 A1 *	10/2001	Kolar .....	A47J 43/27
			426/590
2011/0189358 A1 *	8/2011	Herbert .....	A23G 9/22
			426/231
2013/0043337 A1 *	2/2013	Rukavina .....	A47J 31/40
			241/68

OTHER PUBLICATIONS

Magnablend, Taylor Company, [online], [site visited Sep. 7, 2021], Available from internet URL: <https://www.taylor-company.com/en/MagnaBlendSeries> (Year: 2021).\*

\* cited by examiner

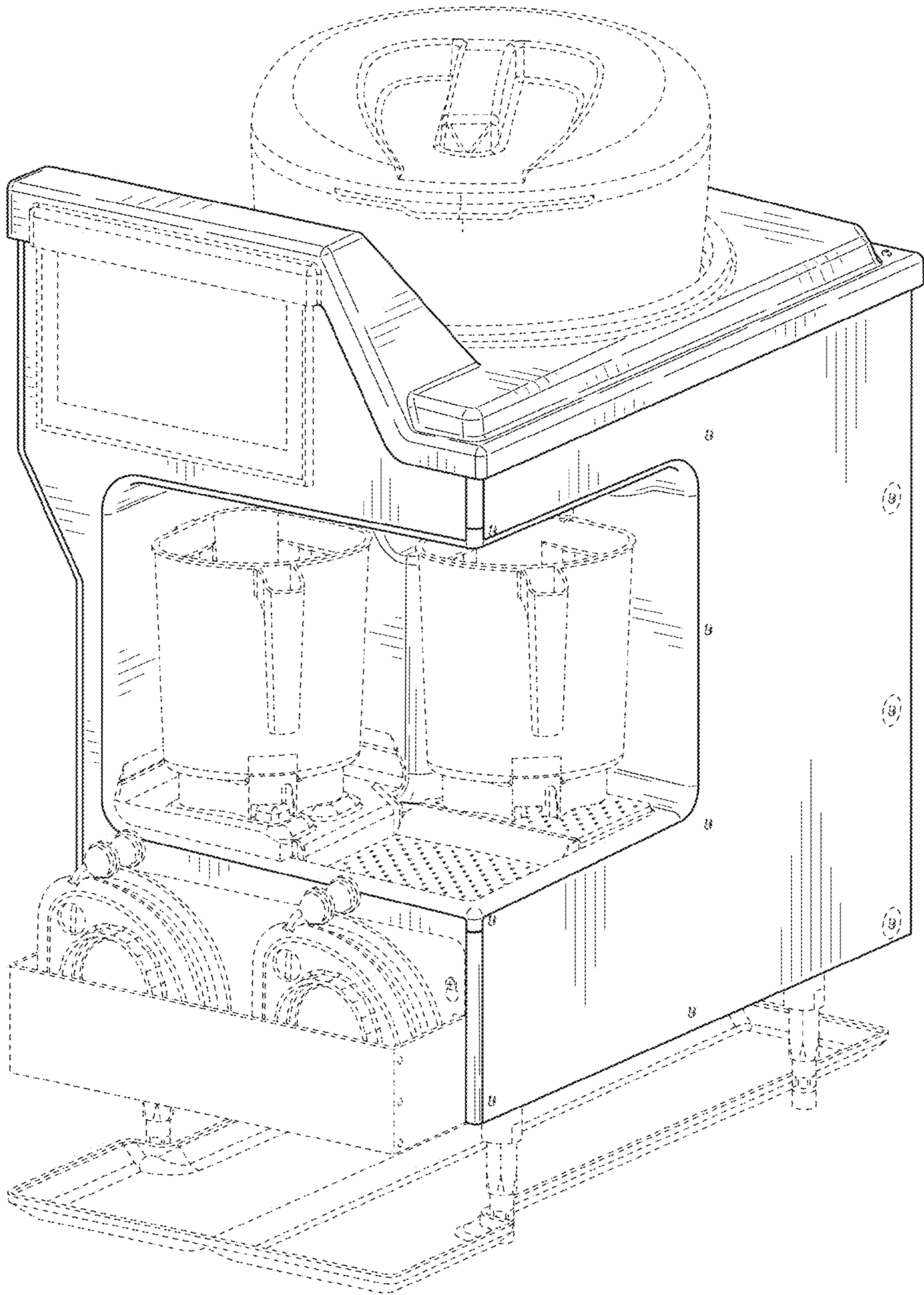


FIG. 1

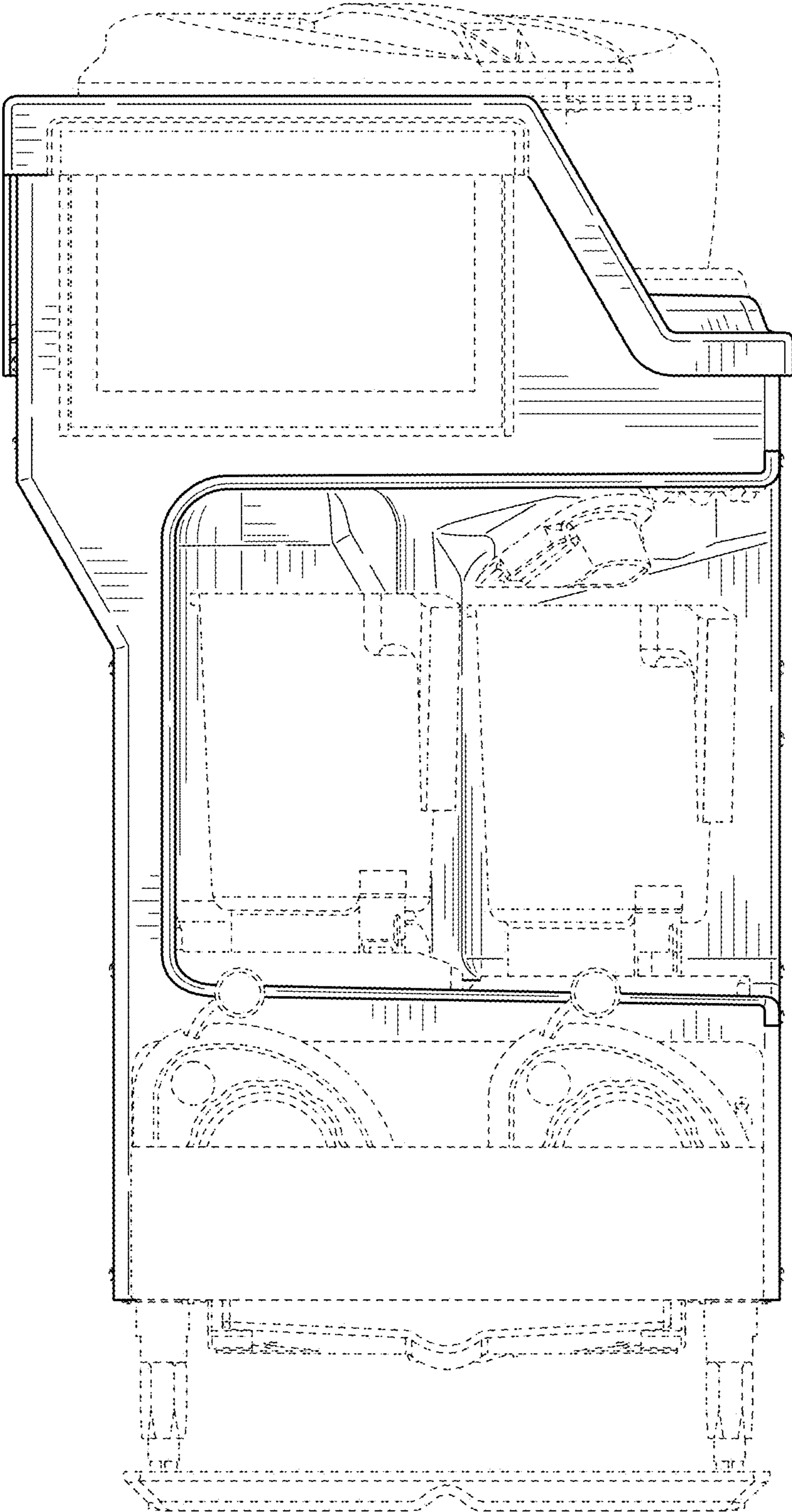


FIG. 2

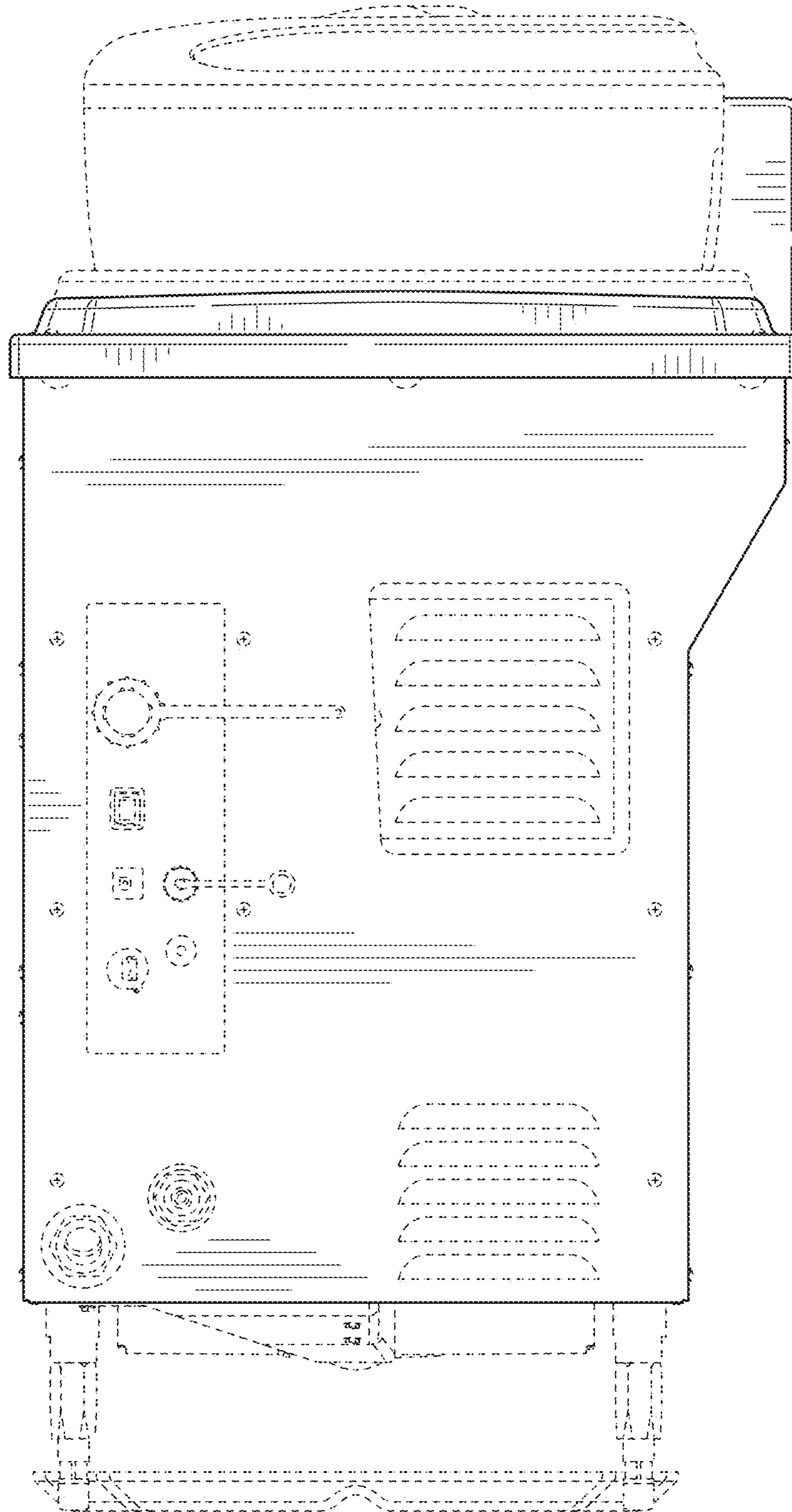


FIG. 3

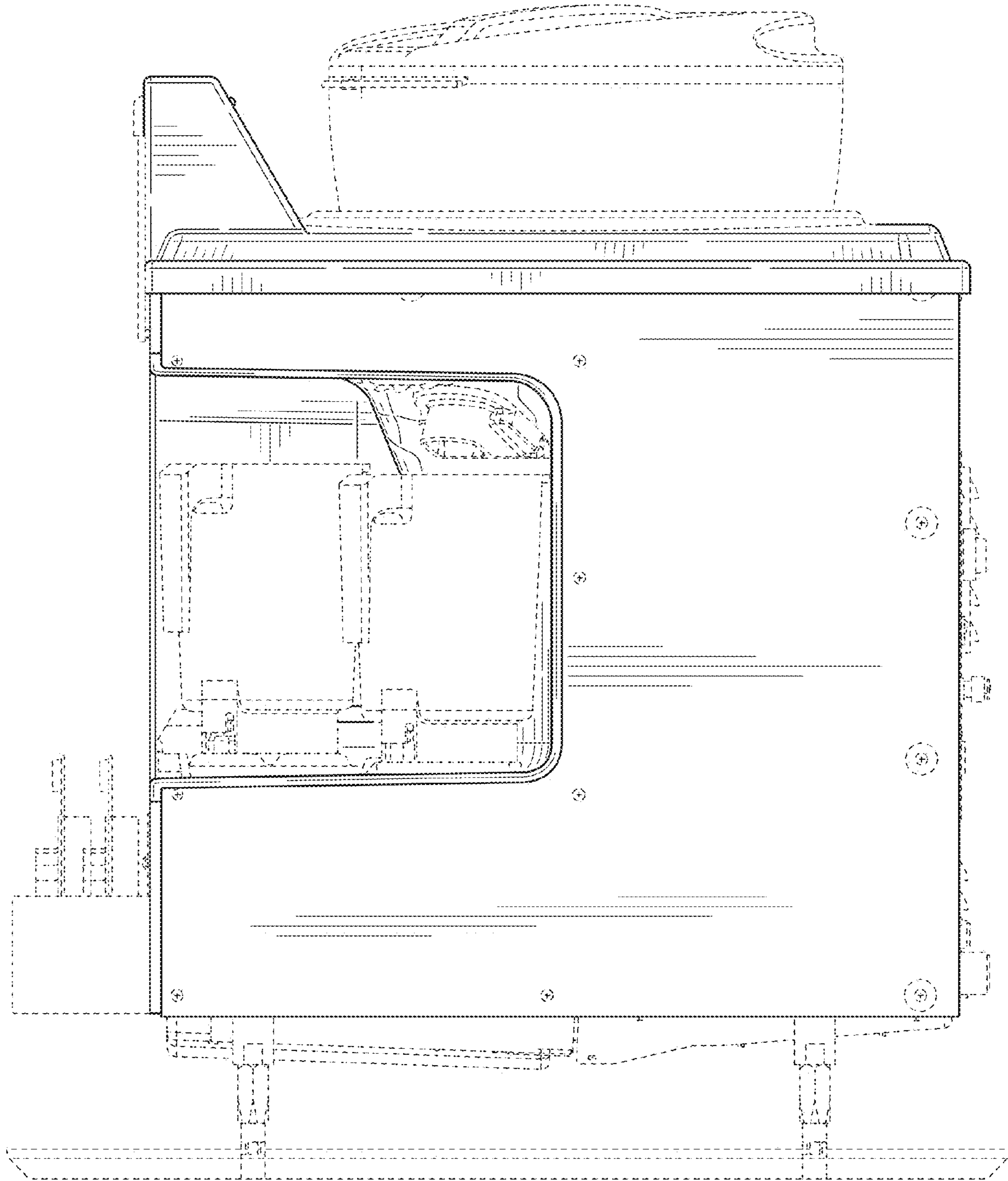


FIG. 4

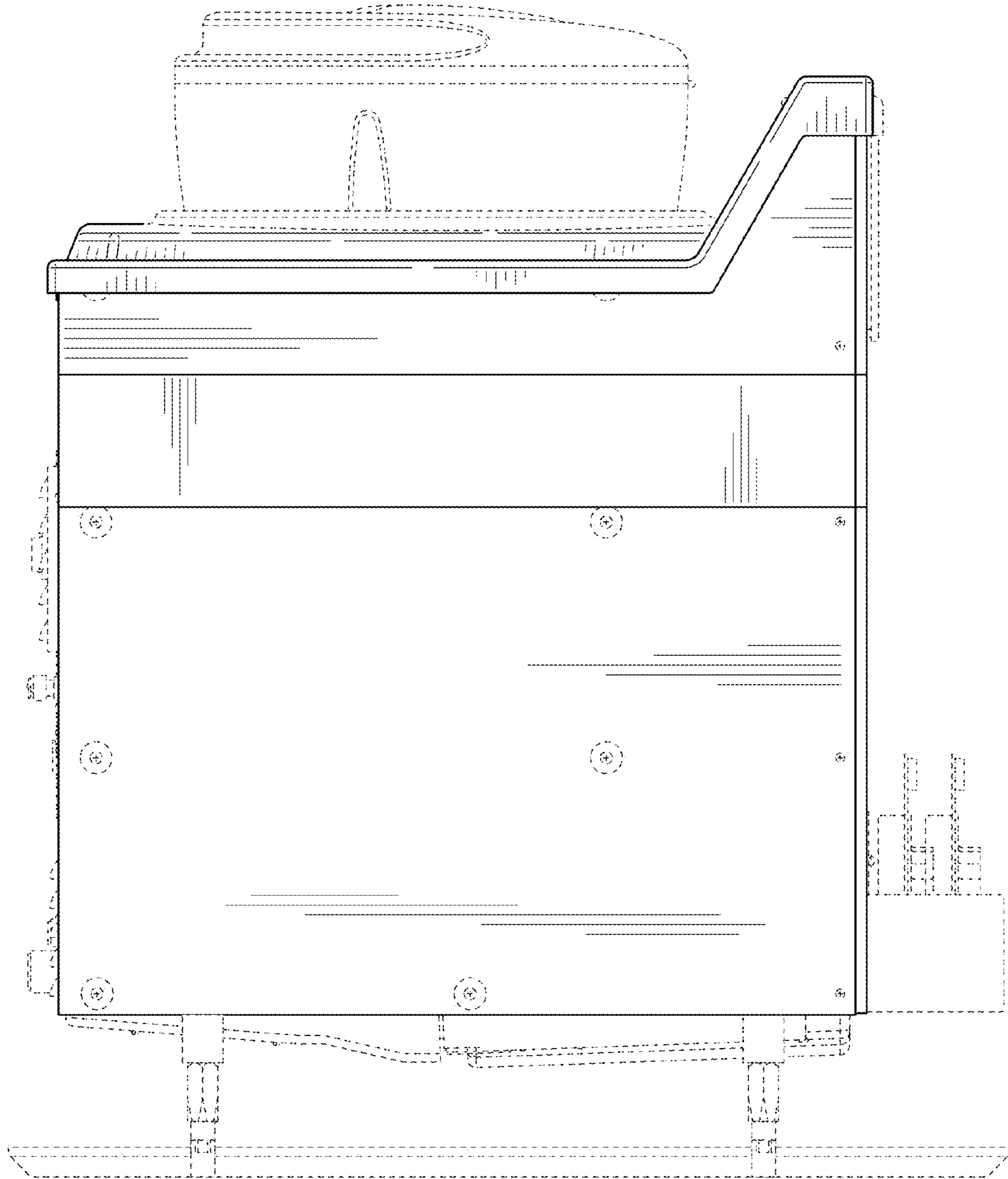


FIG. 5

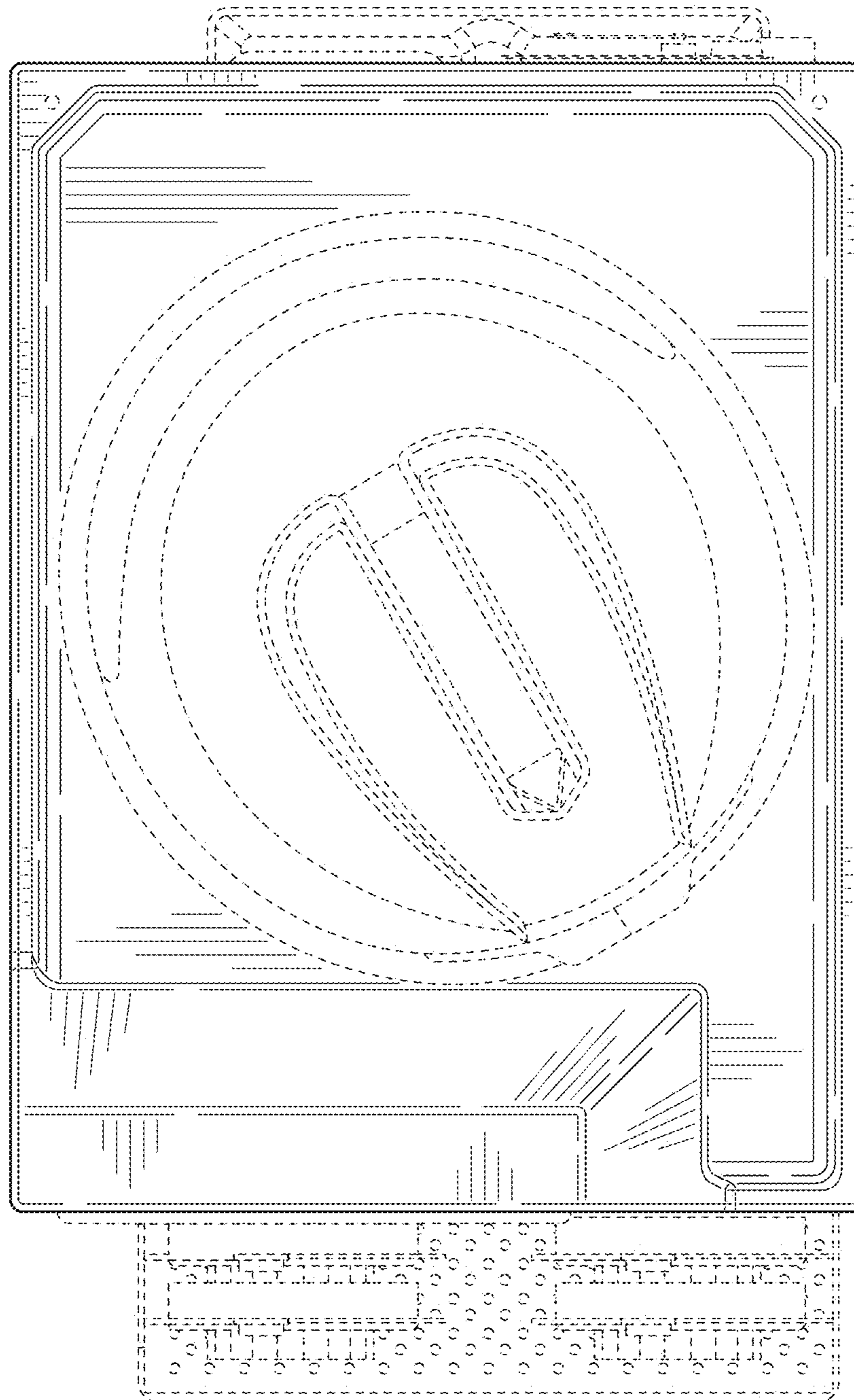


FIG. 6



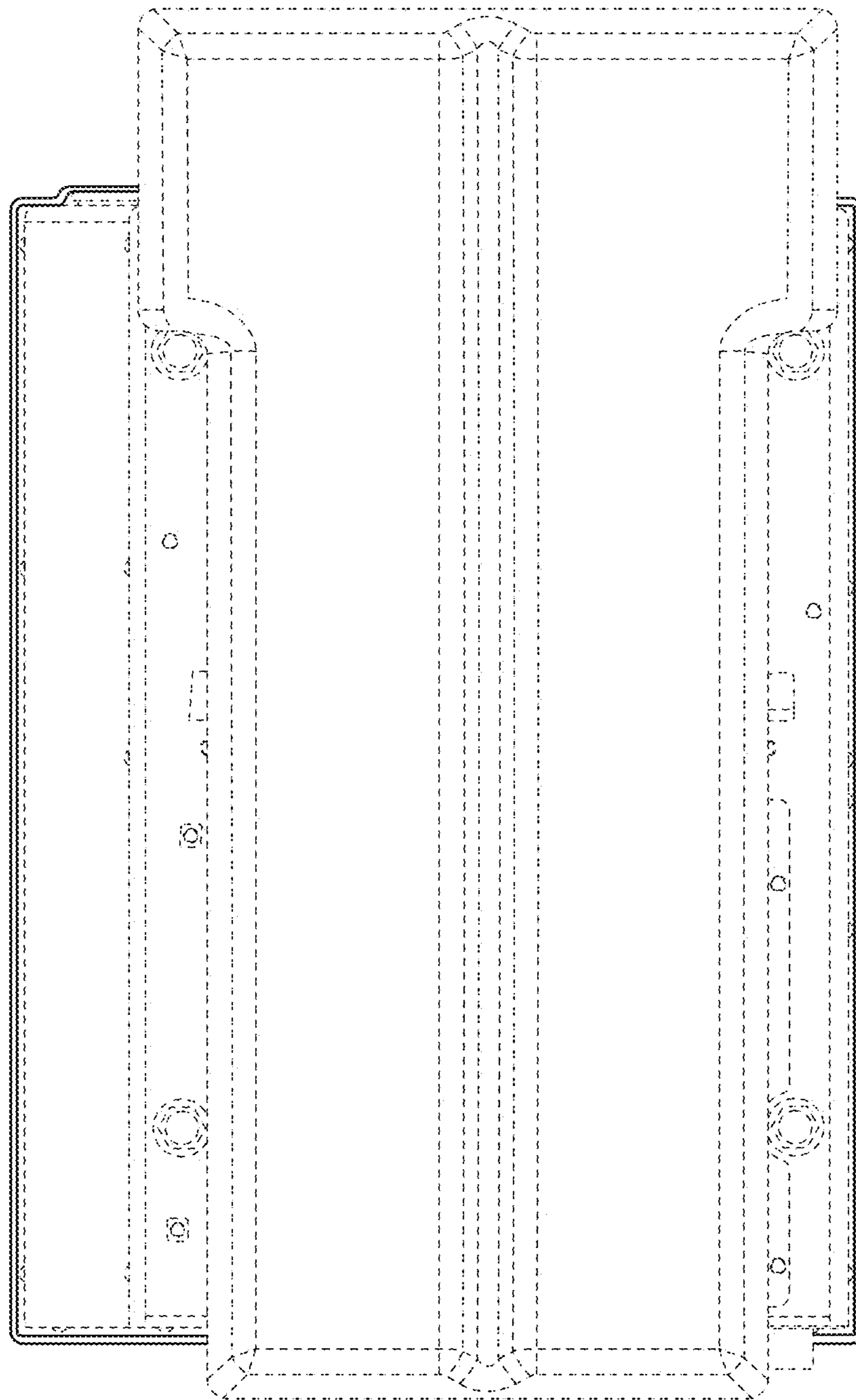


FIG. 7