



US00D955150S

(12) **United States Design Patent** (10) **Patent No.:** **US D955,150 S**
Steiner (45) **Date of Patent:** **** Jun. 21, 2022**

- (54) **COFFEEMAKER**
- (71) Applicant: **Hamilton Beach Brands, Inc.**, Glen Allen, VA (US)
- (72) Inventor: **Mark C Steiner**, Midlothian, VA (US)
- (73) Assignee: **Hamilton Beach Brands, Inc.**, Glen Allen, VA (US)
- (**) Term: **15 Years**
- (21) Appl. No.: **29/713,653**
- (22) Filed: **Nov. 18, 2019**
- (51) **LOC (13) Cl.** **07-02**
- (52) **U.S. Cl.**
USPC **D7/306; D7/311**
- (58) **Field of Classification Search**
USPC D7/300, 300.1, 301, 304-322, 372-373, D7/386, 387, 397-401, 412, 414, D7/509-511, 538, 589-590, 598, D7/601-602, 605, 608, 629; D3/202; D20/4-5; D23/201; D24/197, 216, D24/219-220, 224; 99/275; 222/129.1
CPC A47J 31/00-605; A47J 42/00; A47J 42/02; A47J 42/04; A47J 42/06; A47J 42/08; A47J 42/10; A47J 42/12; A47J 42/14; A47J 42/16; A47J 42/18; A47J 42/20
See application file for complete search history.

D873,596 S *	1/2020	Steiner	D7/309
D885,106 S *	5/2020	Ye	D7/306
D885,817 S *	6/2020	Ye	D7/306
D927,912 S *	8/2021	Lee	D7/309
2016/0037962 A1 *	2/2016	Pennington	A47J 31/465 426/231

OTHER PUBLICATIONS

Hamilton Beach 46200, first available Dec. 24, 2019, Amazon, [online], [site visited Jul. 6, 2021], Available from internet URL: <https://www.amazon.com/-/es/Hamilton-Beach-46200-programmable-inoxidable/dp/B0832NQN8> (Year: 2019).*

Hamilton Beach 12 Cup Compact Programmable Coffee Maker—46200, Hamilton Beach, [online], [site visited Jul. 6, 2021], Available from internet URL: <https://hamiltonbeach.com/12-cup-compact-programmable-coffee-maker-46200> (Year: 2021).*

* cited by examiner

Primary Examiner — Mary Ann Calabrese
Assistant Examiner — Natalya M Rapundalo
 (74) *Attorney, Agent, or Firm* — Alexander D. Raring

(57) **CLAIM**

The ornamental design for a coffeemaker, as shown and described.

DESCRIPTION

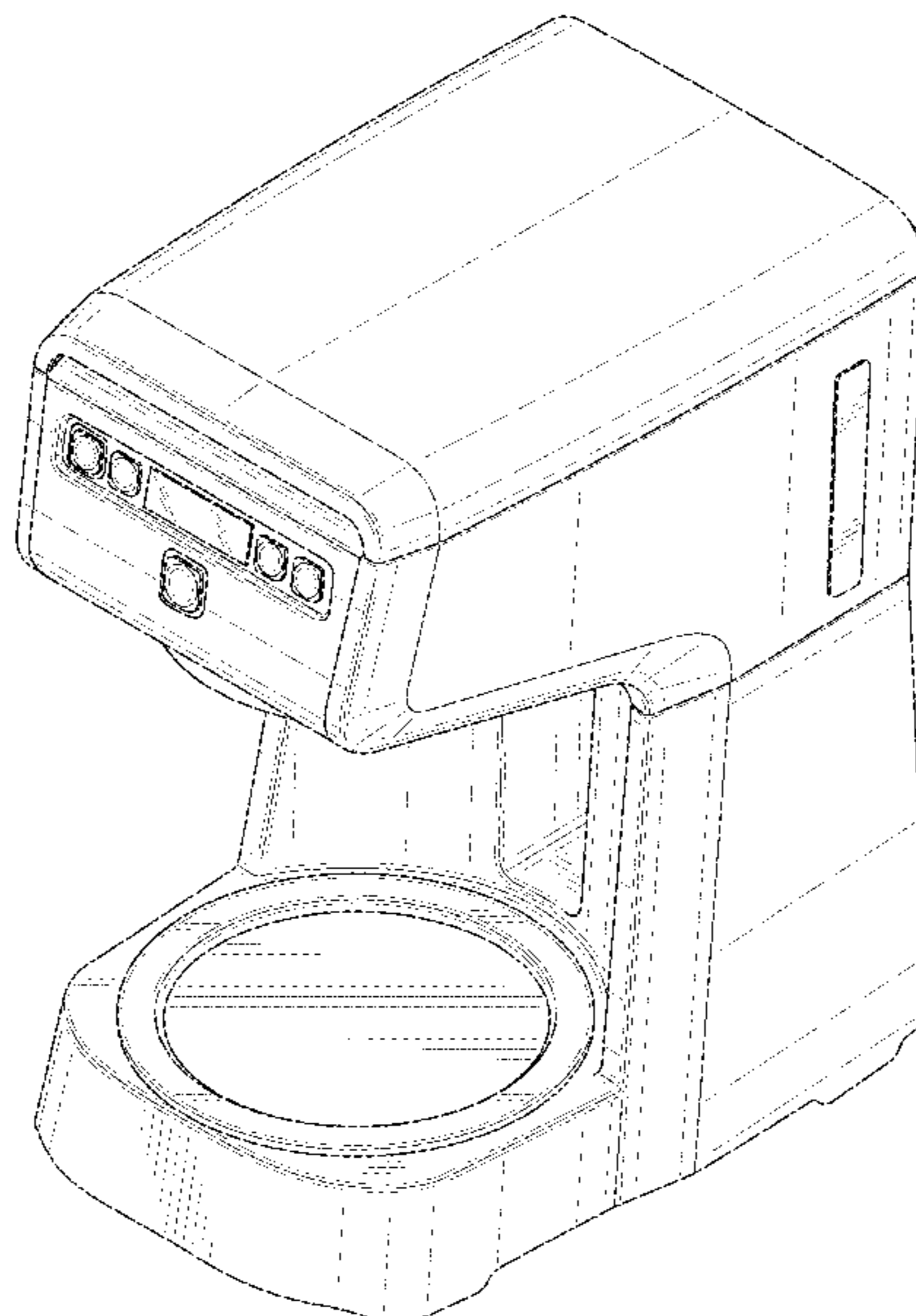
FIG. 1 is a perspective view as seen from the top, right and front sides of a coffeemaker showing the new design;
 FIG. 2 is a front view thereof;
 FIG. 3 is a rear view thereof;
 FIG. 4 is a left side view thereof;
 FIG. 5 is a right side view thereof;
 FIG. 6 is a top view thereof; and,
 FIG. 7 is a bottom view thereof.
 The broken lines in the drawings represent portions of the coffeemaker that form no part of the claimed design.

(56) **References Cited**

U.S. PATENT DOCUMENTS

D732,329 S *	6/2015	Palermo	D7/306
D788,510 S *	6/2017	Steiner	D7/309
D791,533 S *	7/2017	Bond	D7/399
D792,739 S *	7/2017	Palermo	D7/397
D844,472 S *	4/2019	Van Wijngaarden	A47J 31/465 D10/97

1 Claim, 7 Drawing Sheets



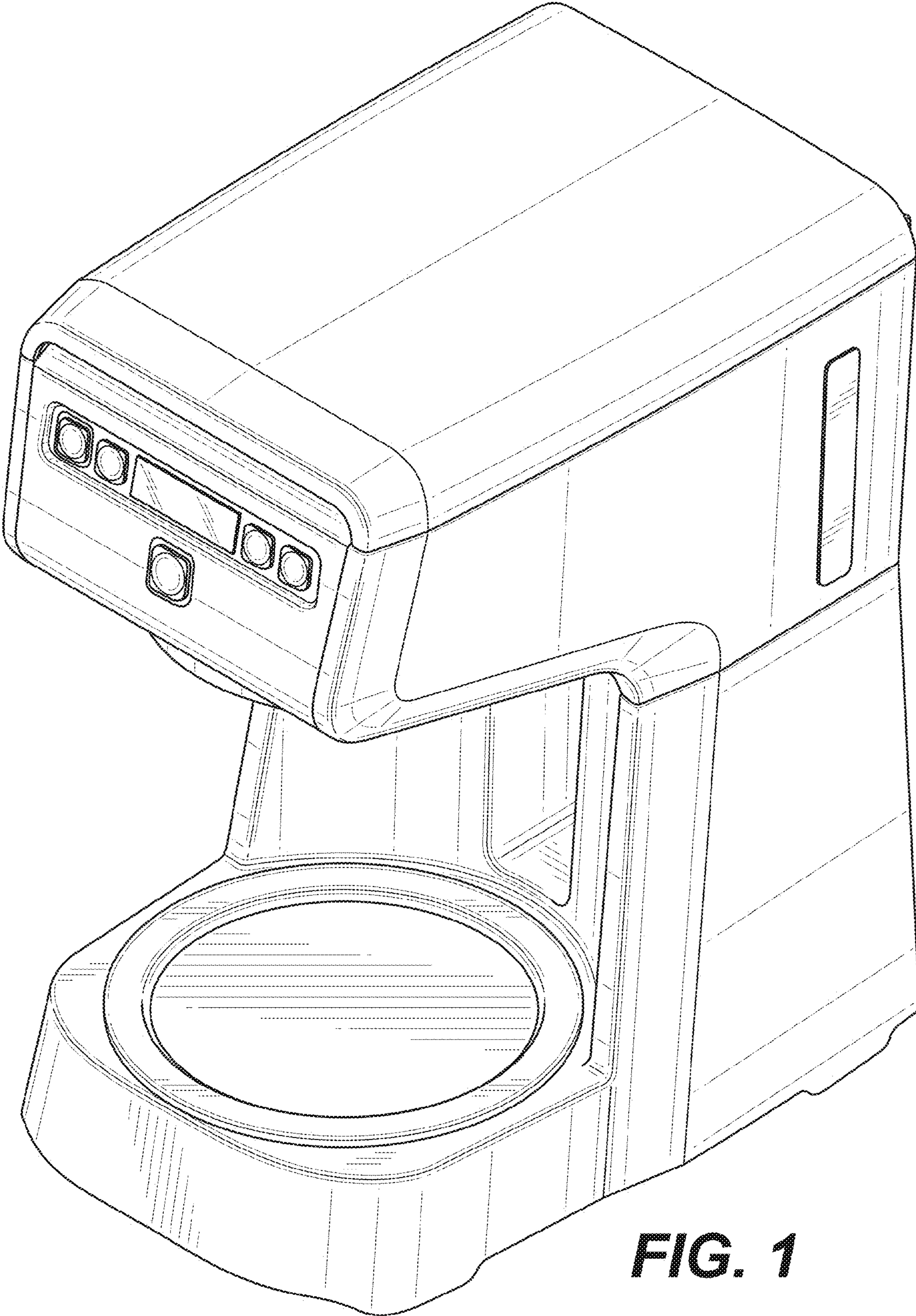


FIG. 1

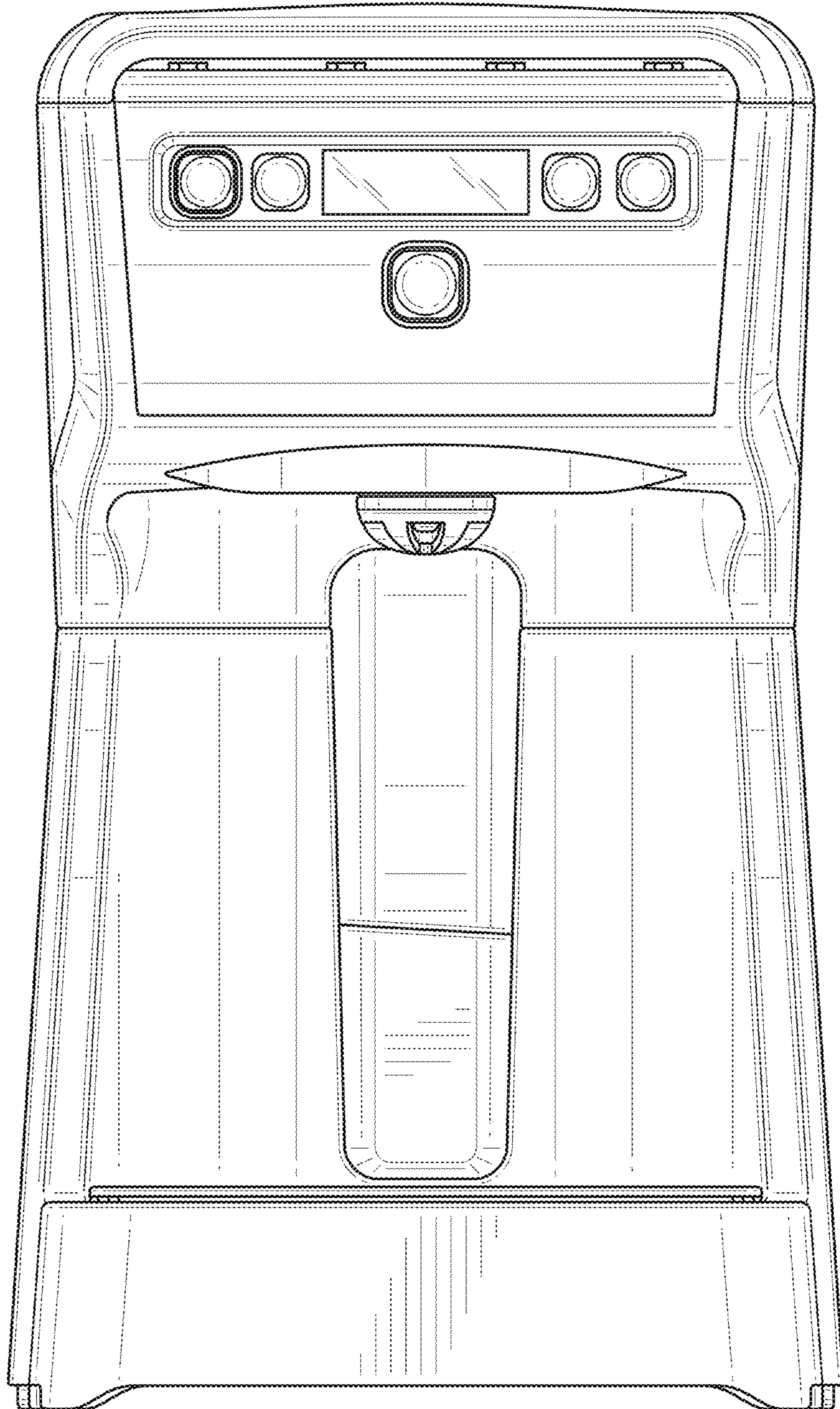


FIG. 2

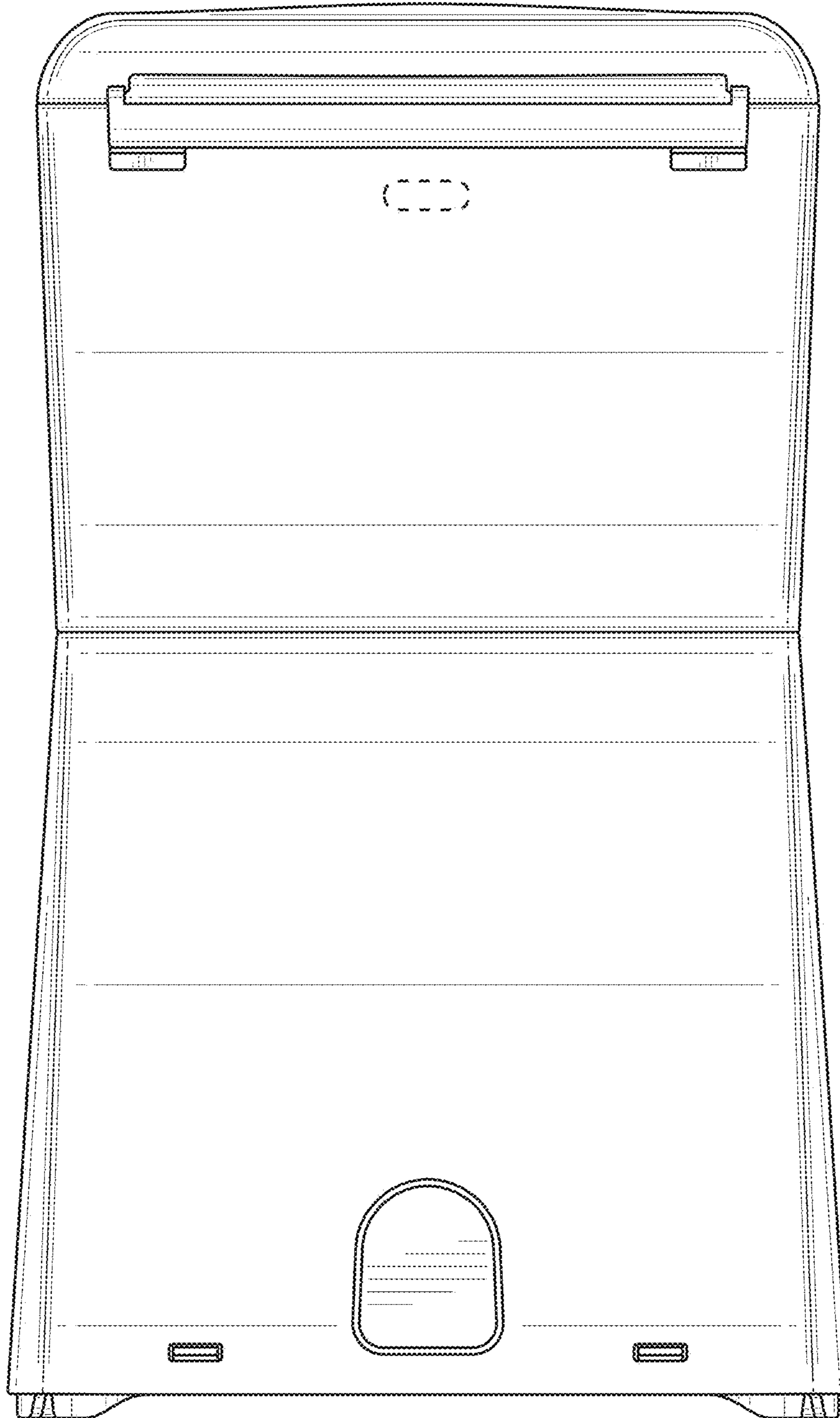


FIG. 3

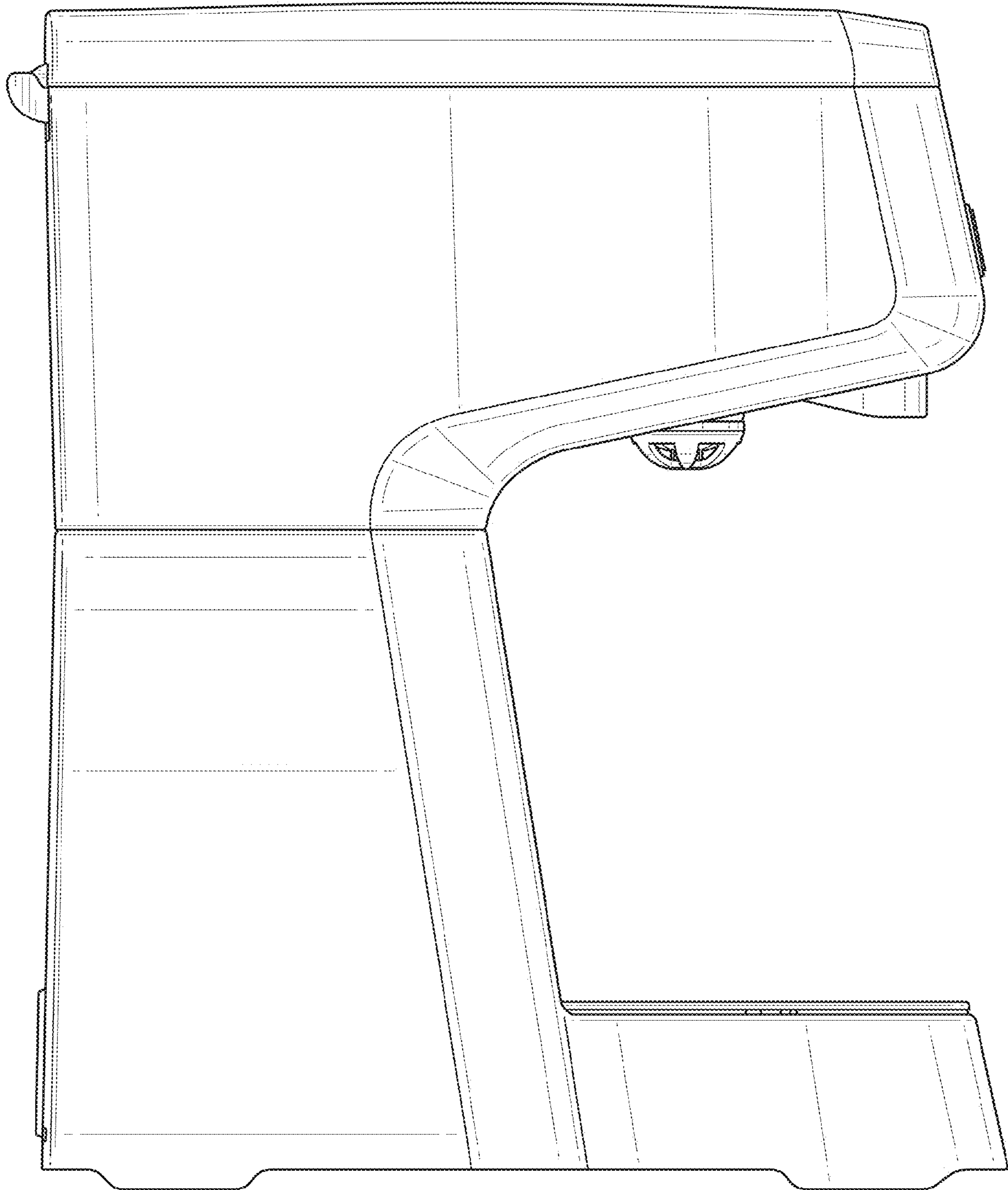


FIG. 4

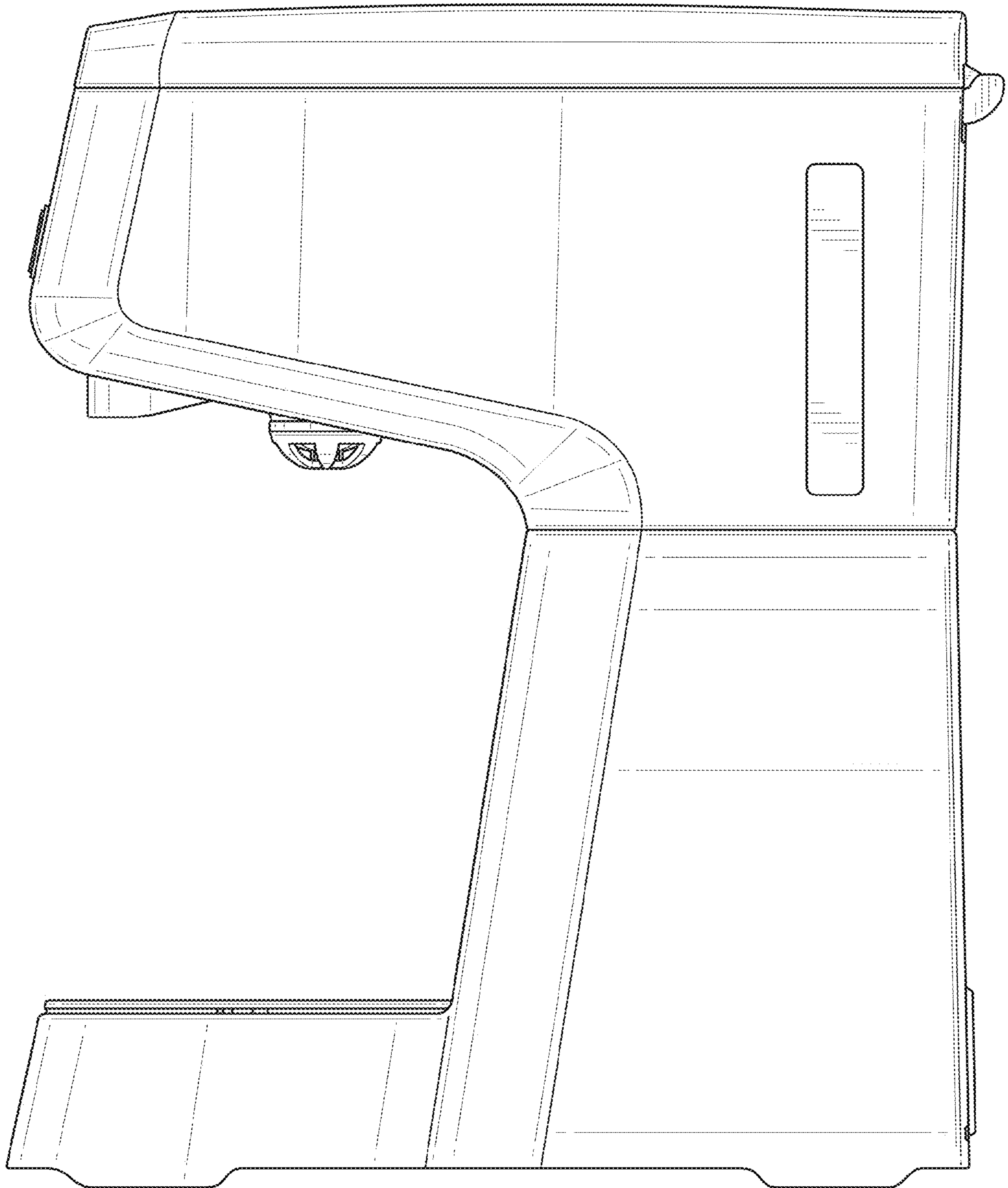


FIG. 5

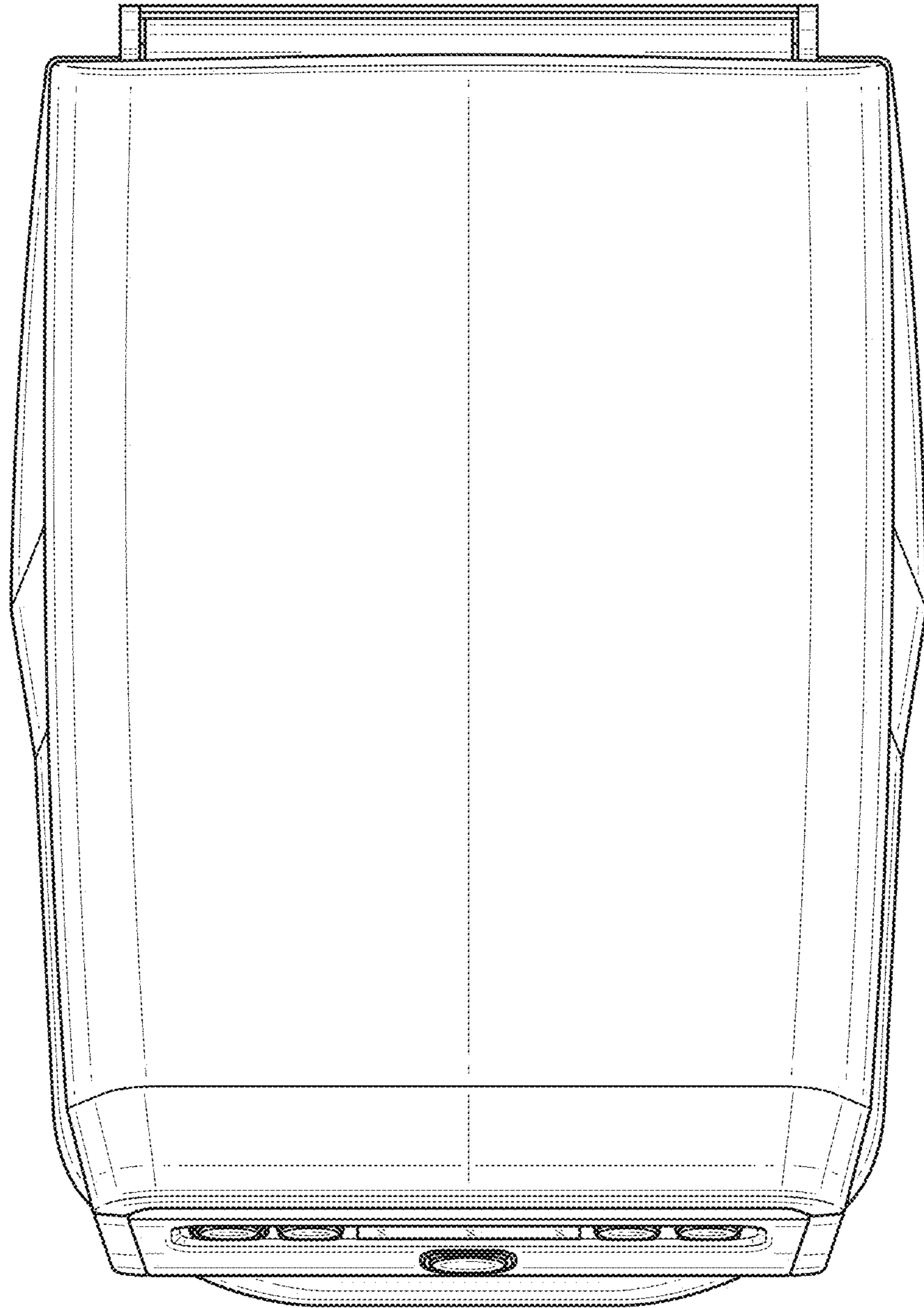


FIG. 6



FIG. 7