



US00D955148S

(12) **United States Design Patent**
Lim et al.

(10) **Patent No.:** **US D955,148 S**
(45) **Date of Patent:** **** Jun. 21, 2022**

- (54) **HEADBOARD FOR BED**
- (71) Applicant: **LG ELECTRONICS INC.,** Seoul (KR)
- (72) Inventors: **Jaemyung Lim,** Seoul (KR); **Eunkyung Noh,** Seoul (KR); **Jimin Yuk,** Seoul (KR); **Hojae Jung,** Seoul (KR); **Keunho Ju,** Seoul (KR); **Jeongguen Choi,** Seoul (KR); **Deung Hwangbo,** Seoul (KR)
- (73) Assignee: **LG ELECTRONICS INC.,** Seoul (KR)
- (**) Term: **15 Years**
- (21) Appl. No.: **29/719,937**
- (22) Filed: **Jan. 8, 2020**
- (30) **Foreign Application Priority Data**
Jul. 25, 2019 (KR) 30-2019-0035845
- (51) **LOC (13) Cl.** **06-06**
- (52) **U.S. Cl.**
USPC **D6/718.13**
- (58) **Field of Classification Search**
USPC D6/382, 393, 606, 718, 718.13, 718.23
CPC A47C 19/022; A47C 19/005; A47C 17/86
See application file for complete search history.

- (56) **References Cited**
U.S. PATENT DOCUMENTS
2,697,233 A * 12/1954 Christenson A47C 20/043
5/310
2,799,868 A * 7/1957 Sands A47C 19/022
5/132
2,907,054 A * 10/1959 Sark A47C 19/022
5/301
D225,277 S * 11/1972 Leigh D6/718.13

- 4,501,033 A * 2/1985 Kessel A47C 19/022
403/4
- D328,207 S * 7/1992 White D6/718.13
- D442,995 S * 5/2001 Niiyama D20/10
- D450,471 S * 11/2001 Dordoni D6/393
- D495,521 S * 9/2004 Dordoni D6/393
- D504,256 S * 4/2005 Ritossa D6/718
- D644,851 S * 9/2011 Colombo D6/393
- 8,931,123 B1 * 1/2015 Oh A47C 23/06
5/280

(Continued)

OTHER PUBLICATIONS

“Furinno Roanne Plain Headboard.” Found online Mar. 22, 2022 at www.amazon.com. Product first available Apr. 5, 2018. Retrieved from URL: https://www.amazon.com/dp/B07C2JZZPM (Year: 2018).*

(Continued)

Primary Examiner — Michael C Stout
Assistant Examiner — Katelin G Kloberg
(74) *Attorney, Agent, or Firm* — Birch, Stewart, Kolasch & Birch, LLP

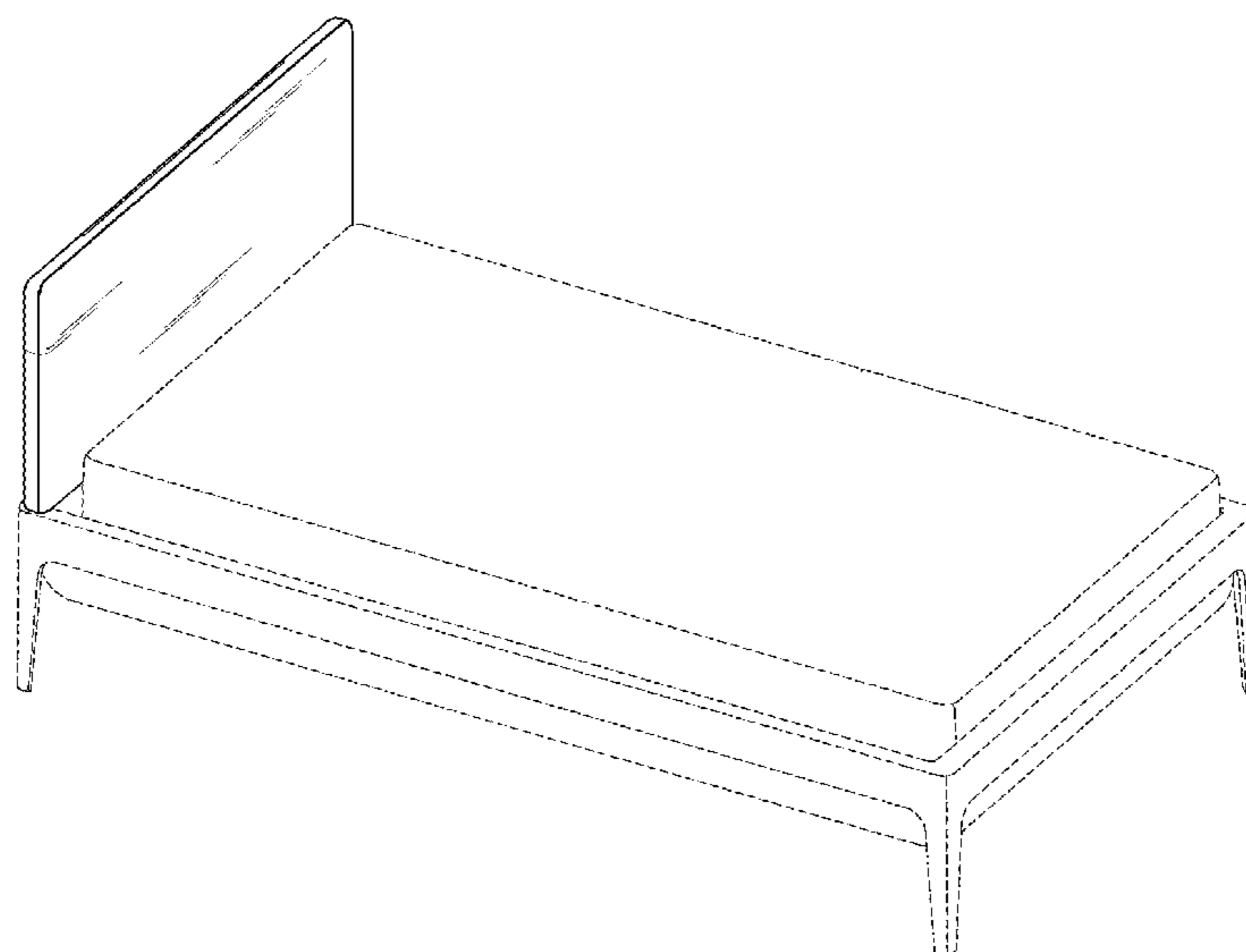
(57) **CLAIM**

We claim the ornamental design for a headboard for bed, as shown and described.

DESCRIPTION

FIG. 1 is a perspective view of a headboard for bed showing the new design;
FIG. 2 is a front elevation view thereof;
FIG. 3 is a rear elevation view thereof;
FIG. 4 is a left-side elevation view thereof;
FIG. 5 is a right-side elevation view thereof;
FIG. 6 is a top plan view thereof;
FIG. 7 is a bottom plan view thereof; and,
FIG. 8 is a perspective view shown in a use condition.
The broken lines in FIG. 8 are included for the purpose of illustrating environment and form no part of the claimed design.

1 Claim, 8 Drawing Sheets



(56)

References Cited

U.S. PATENT DOCUMENTS

D862,105 S * 10/2019 Liu D6/393
D868,495 S * 12/2019 Lee D6/393
D899,804 S * 10/2020 Carter D6/393
D903,364 S * 12/2020 Christiansen D6/393
2020/0170418 A1 * 6/2020 Oh A47C 21/044
2020/0171183 A1 * 6/2020 Oh A61L 2/10
2021/0259431 A1 * 8/2021 Wang A61H 23/02

OTHER PUBLICATIONS

“Hawthorne Collections Upholstered Full Panel Headboard.” Found online Mar. 22, 2022 at www.amazon.com. Product first available May 11, 2018. Retrieved from URL: <https://www.amazon.com/Hawthorne-Collections-Upholstered-Panel-Headboard/dp/B07D1DY3GX> (Year: 2018).*

“ADHW Upholstered Full Panel Headboard.” Found online Mar. 22, 2022 at www.amazon.com. Product first available Aug. 5, 2021. Retrieved from URL: <https://www.amazon.com/ADHW-Upholstered-Full-Panel-Headboard/dp/B09BYWW7X7> (Year: 2021).*

* cited by examiner

FIG. 1

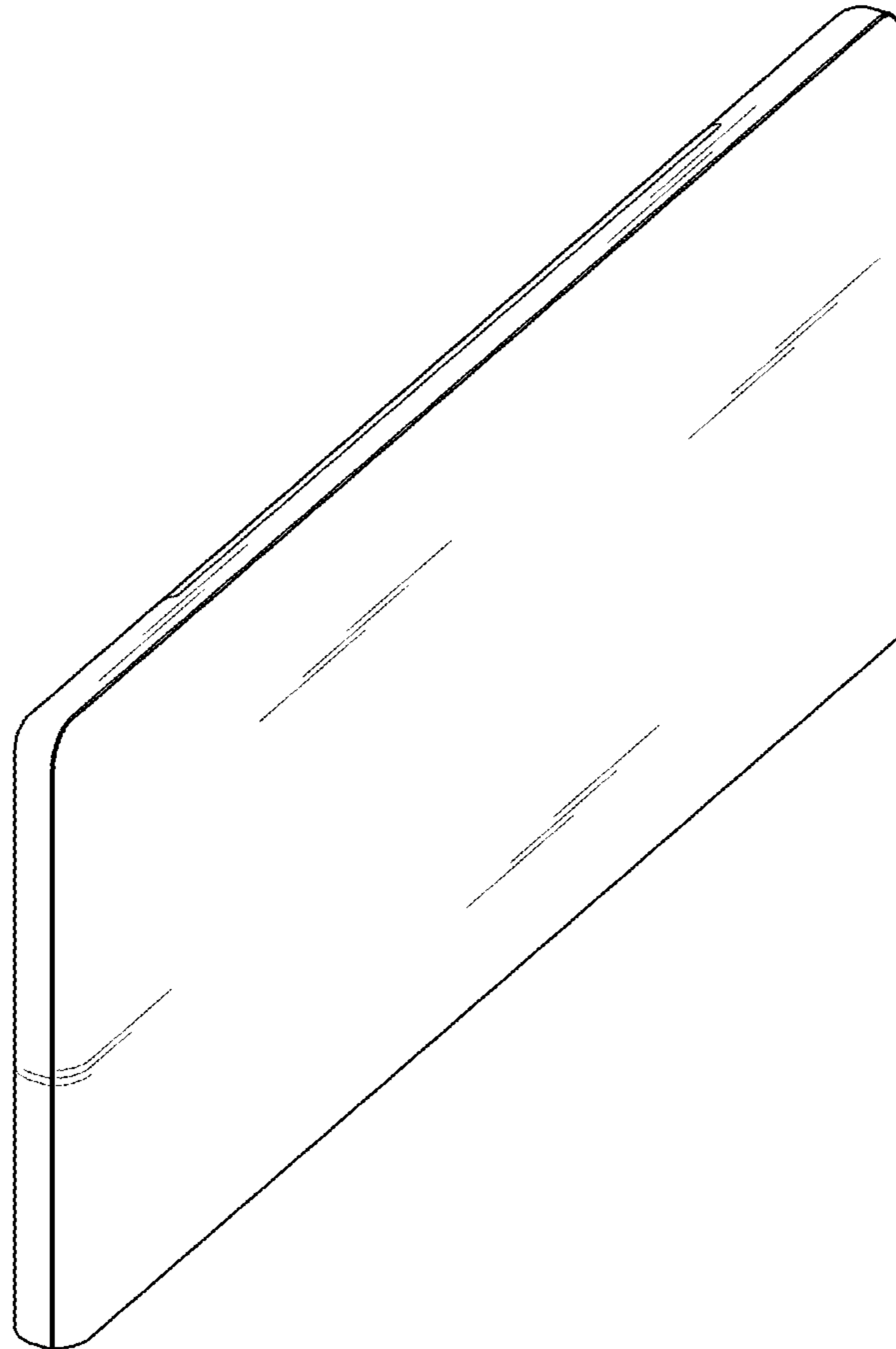


FIG. 2

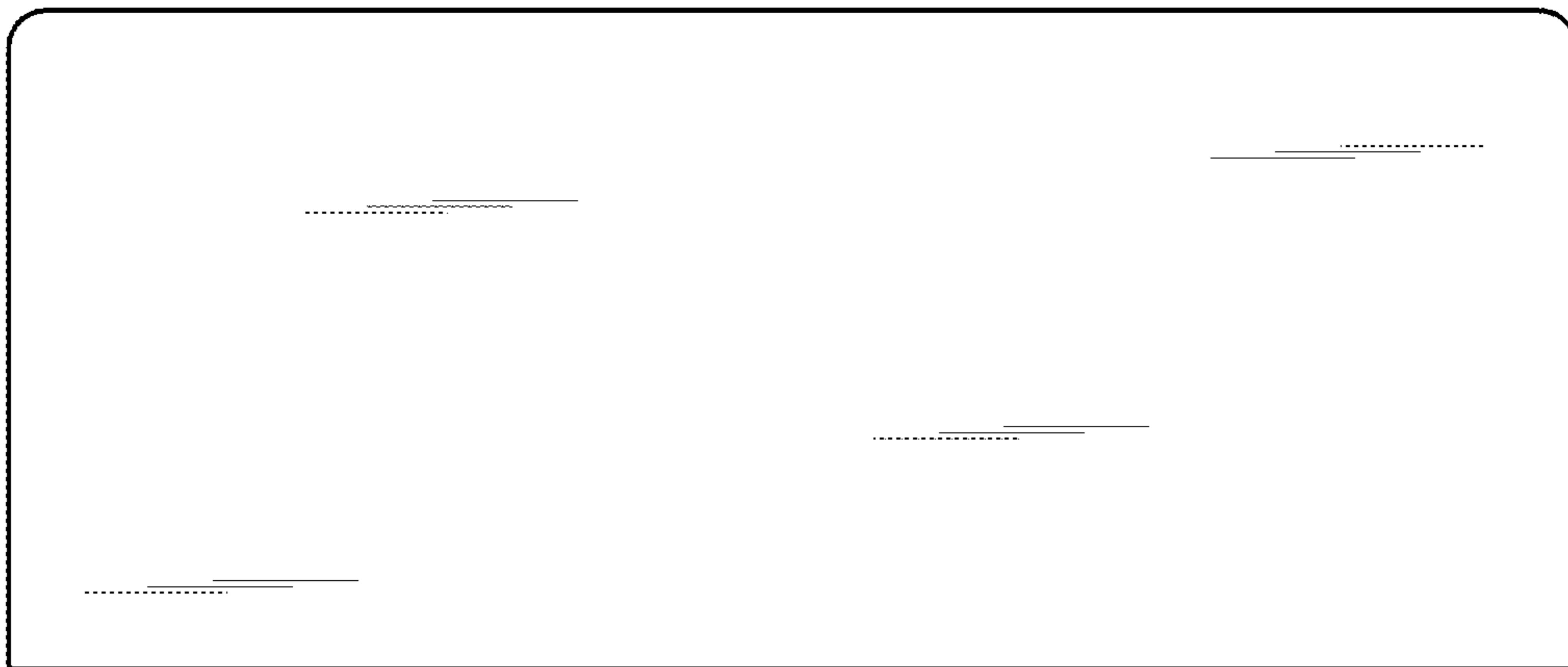


FIG. 3

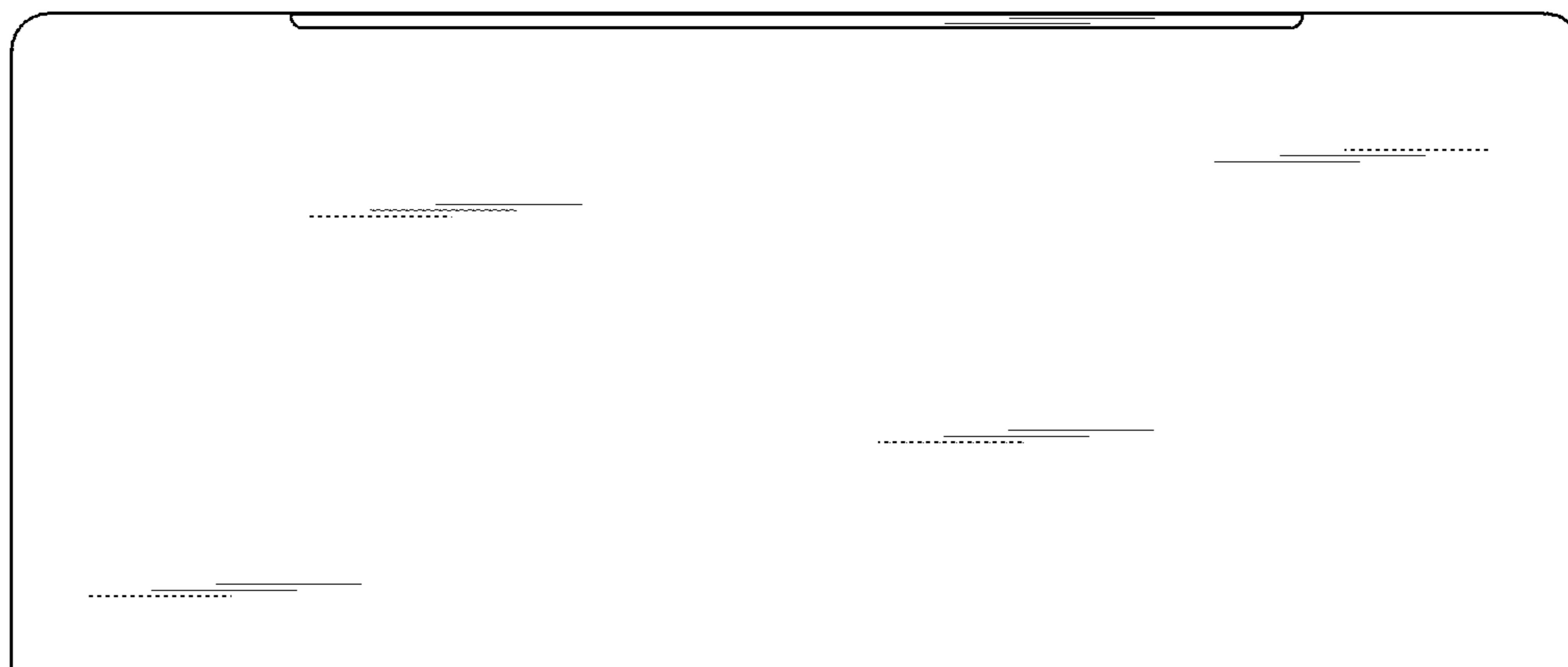


FIG. 4

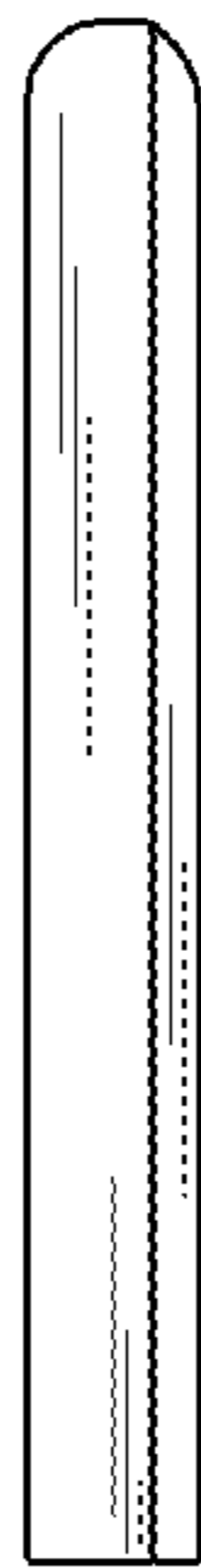


FIG. 5

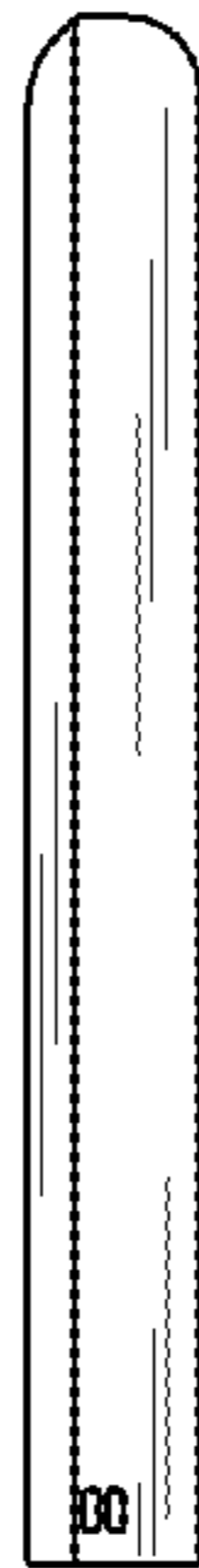


FIG. 6

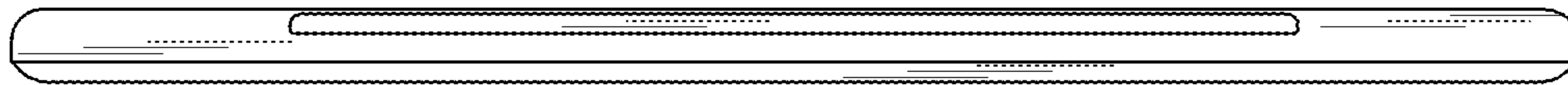


FIG. 7



FIG. 8

