



US00D955147S

(12) **United States Design Patent**
Hirshburg

(10) **Patent No.:** **US D955,147 S**
(45) **Date of Patent:** **** Jun. 21, 2022**

(54) **WORK TABLE SUPPORT**

(71) Applicant: **Professional Tool Products LLC**,
Travelers Rest, SC (US)

(72) Inventor: **Keith Alan Hirshburg**, Travelers Rest,
SC (US)

(73) Assignee: **Professional Tool Products LLC**,
Travelers Rest, SC (US)

(**) Term: **15 Years**

(21) Appl. No.: **29/723,202**

(22) Filed: **Feb. 5, 2020**

(51) **LOC (13) Cl.** **06-06**

(52) **U.S. Cl.**
USPC **D6/708.23**

(58) **Field of Classification Search**
USPC ... D6/641, 642, 685, 686, 702, 708, 708.16,
D6/708.17, 708.22-708.24, 709, 709.21,
D6/710
CPC A47B 33/00; A47B 33/12; A47B 43/00;
A47B 2200/0011; A47B 2200/0013;
A47B 2200/0016; A47B 2200/0017;
A47B 2200/002; A47B 2200/0021; A47B
2200/0022; A47B 2200/0023
See application file for complete search history.

(56) **References Cited**

U.S. PATENT DOCUMENTS

D261,341 S *	10/1981	Eberle	D6/708.17
D295,594 S *	5/1988	du Rees	D6/708.24
D331,340 S *	12/1992	Lossing	D6/349
D550,987 S *	9/2007	Brevda	D6/708.23
D575,967 S *	9/2008	Cuvilly	D6/708.23
D627,109 S *	11/2010	Man	A47B 9/12 D30/133

D638,637 S	5/2011	Foley	
8,613,454 B2	12/2013	Foley	
9,073,201 B1	7/2015	Foley	
D868,517 S *	12/2019	Legare	D6/708.23
D921,408 S *	6/2021	Bergsma	D6/708.17
2020/0077788 A1*	3/2020	Albers	A47B 9/12

OTHER PUBLICATIONS

Daly Height Adjustable Workpad—Zuri contemporary comfort <https://www.zurifurniture.com/office/daly-height-adjustable-workpad> retrieved from the internet on 01/824/2022.*

* cited by examiner

Primary Examiner — Mary Ann Calabrese
(74) *Attorney, Agent, or Firm* — JK Intellectual Property Law, PA

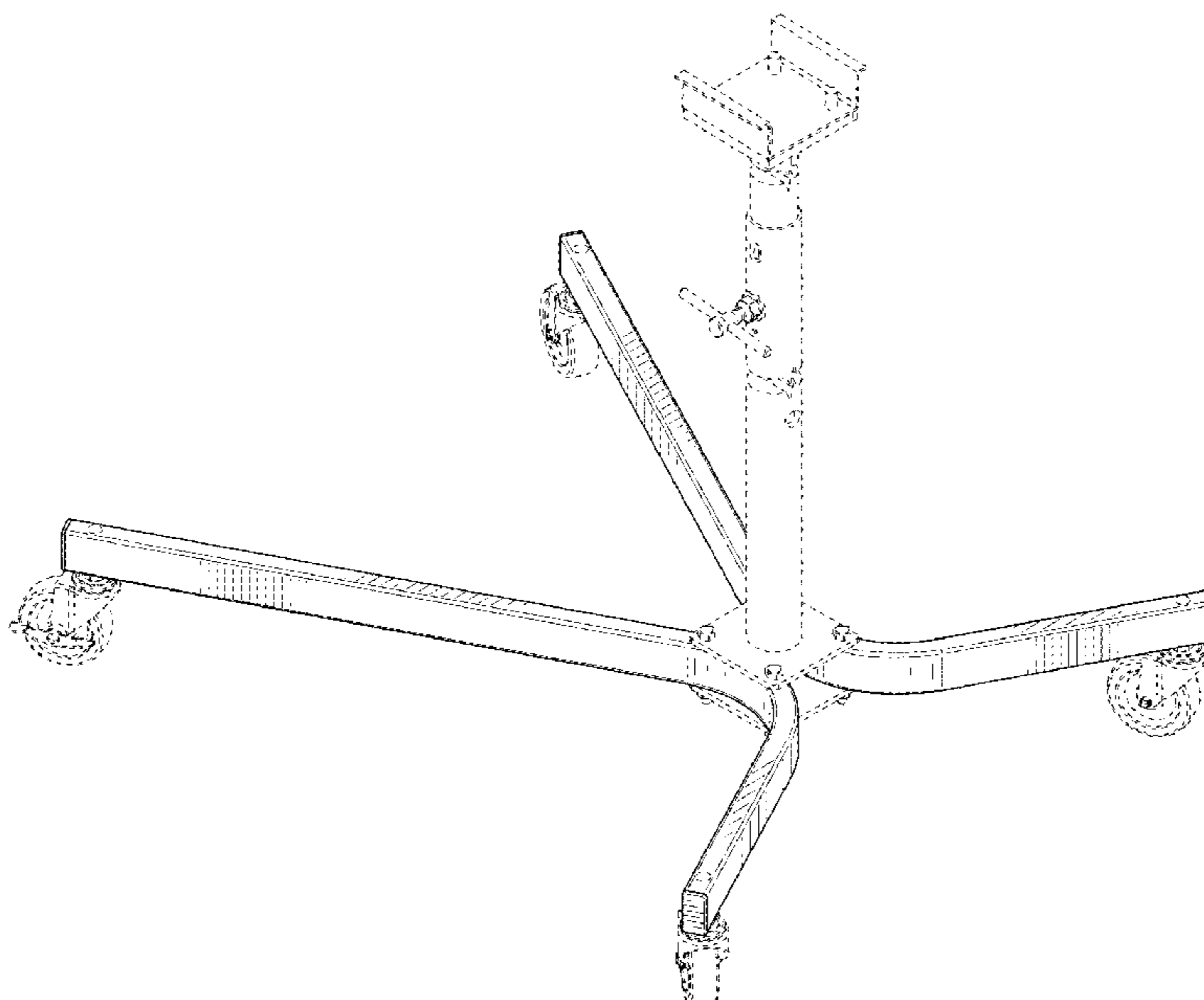
(57) **CLAIM**

The ornamental design for a work table support, as shown and described.

DESCRIPTION

FIG. 1 is a top isometric view of a work table support according to the present design;
FIG. 2 is a bottom isometric view thereof;
FIG. 3 is a rear end view thereof;
FIG. 4 is a front end view thereof;
FIG. 5 is a left side view thereof;
FIG. 6 is a right side view thereof;
FIG. 7 is a top view thereof; and,
FIG. 8 is a bottom view thereof.
In the drawings, the broken lines illustrate environment that forms no part of the claimed design.

1 Claim, 8 Drawing Sheets



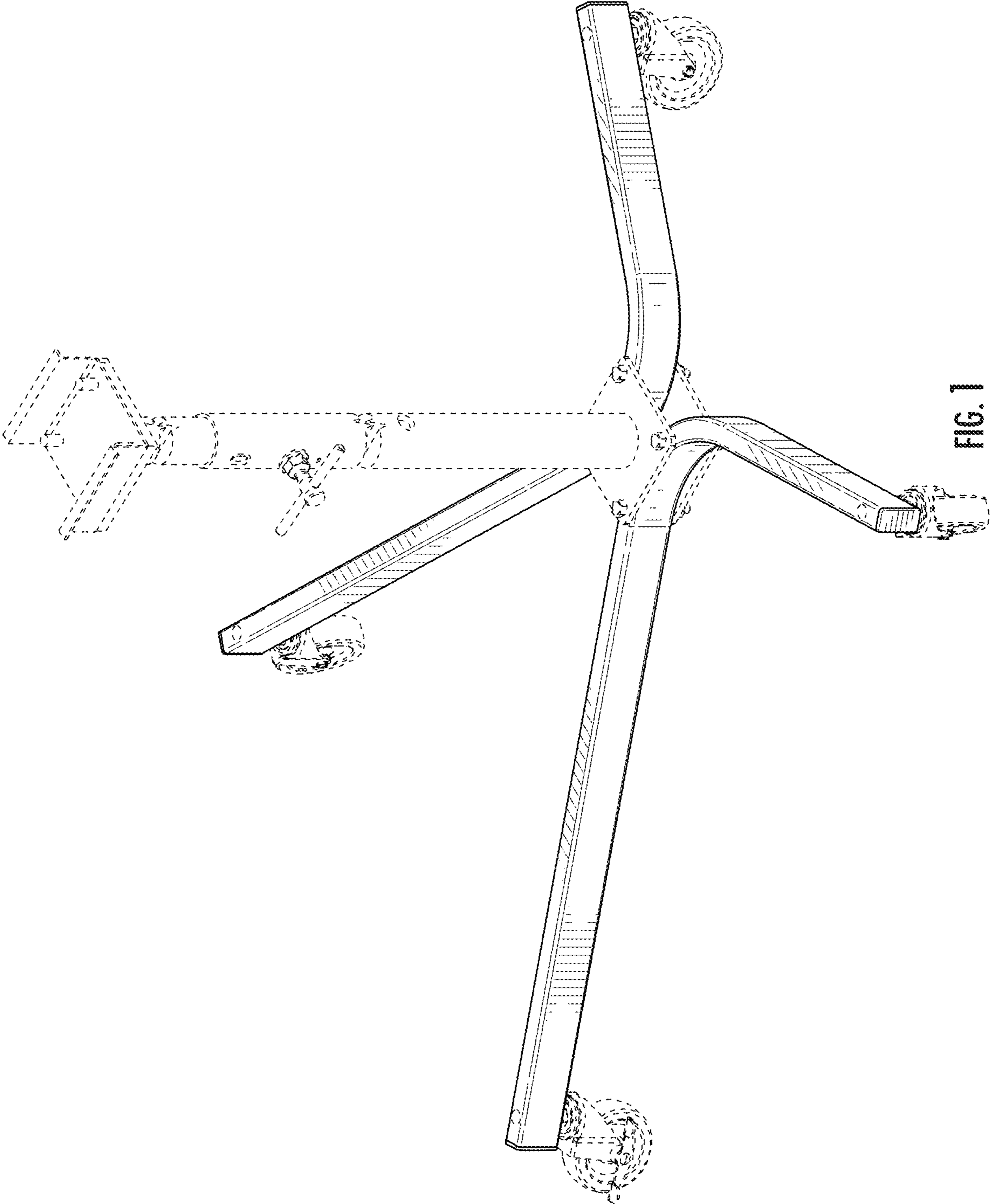
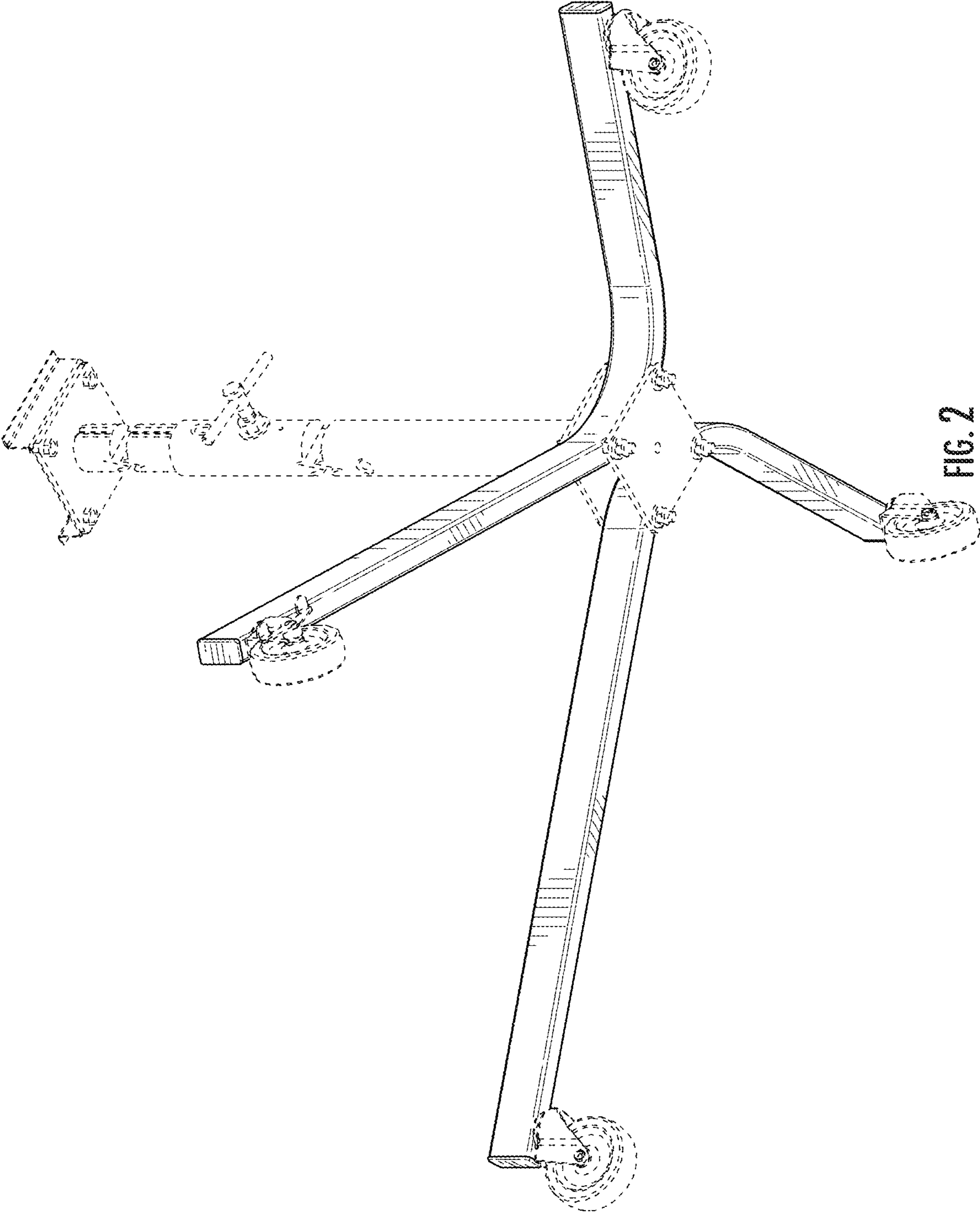


FIG. 1



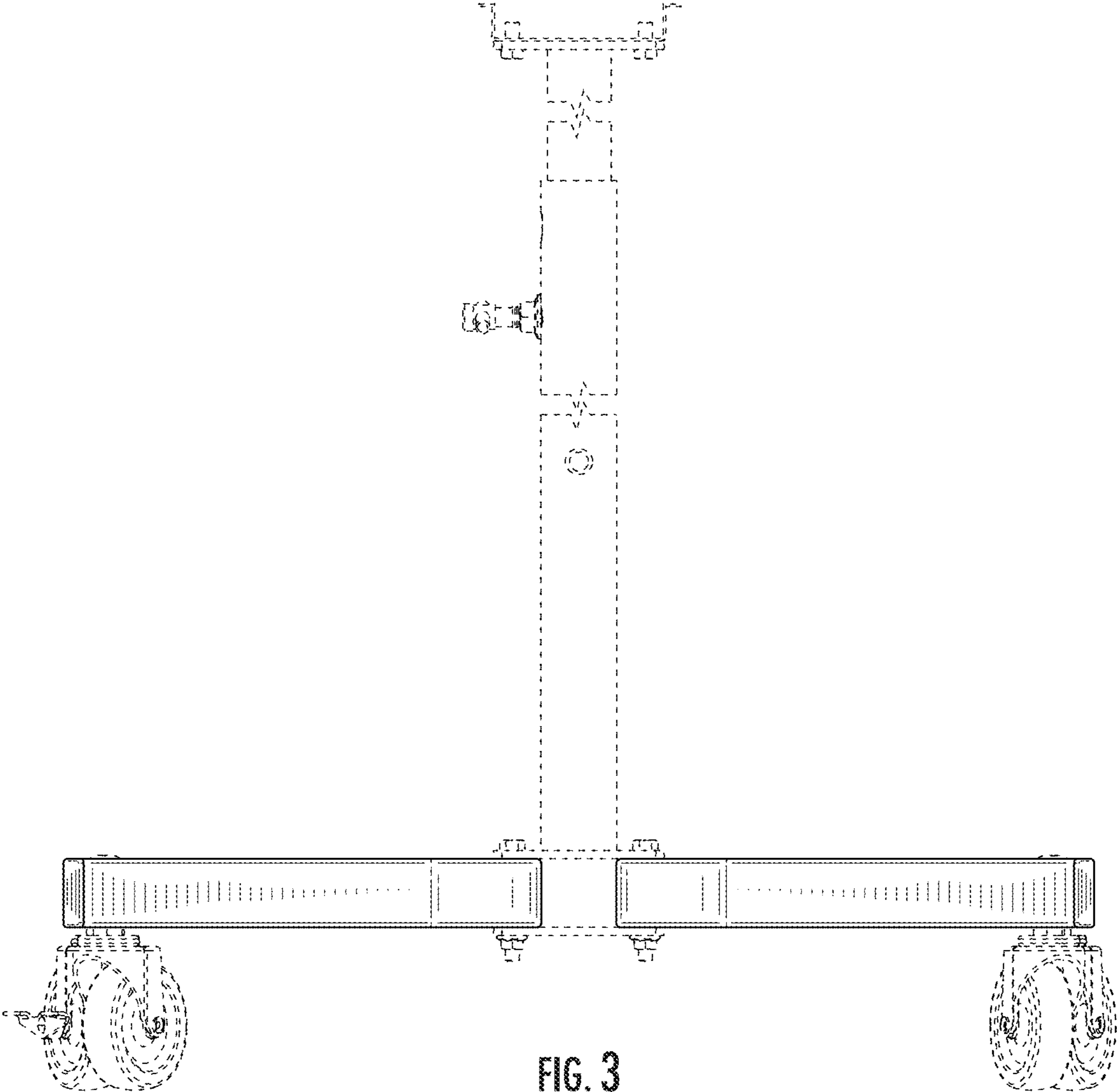
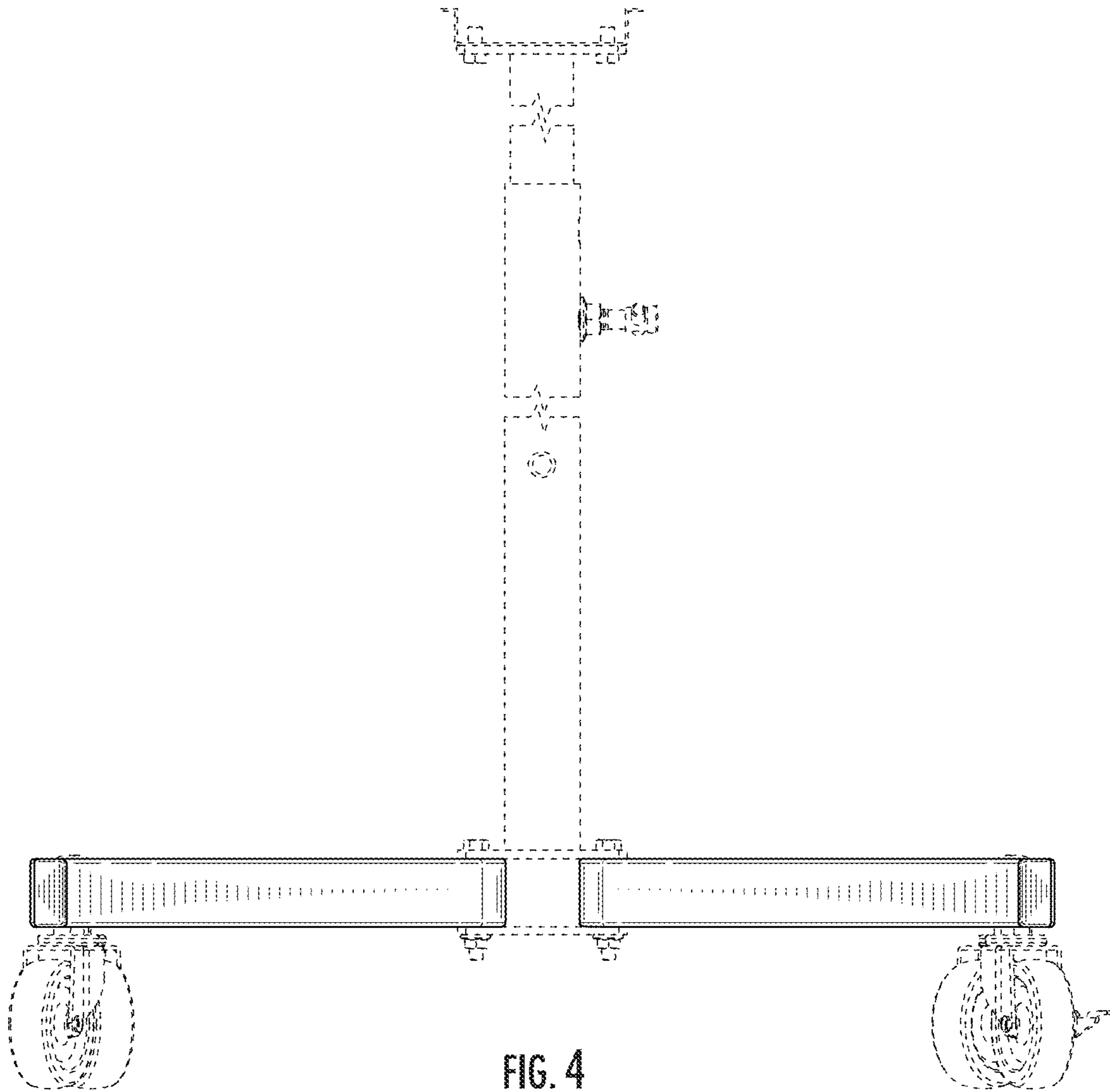
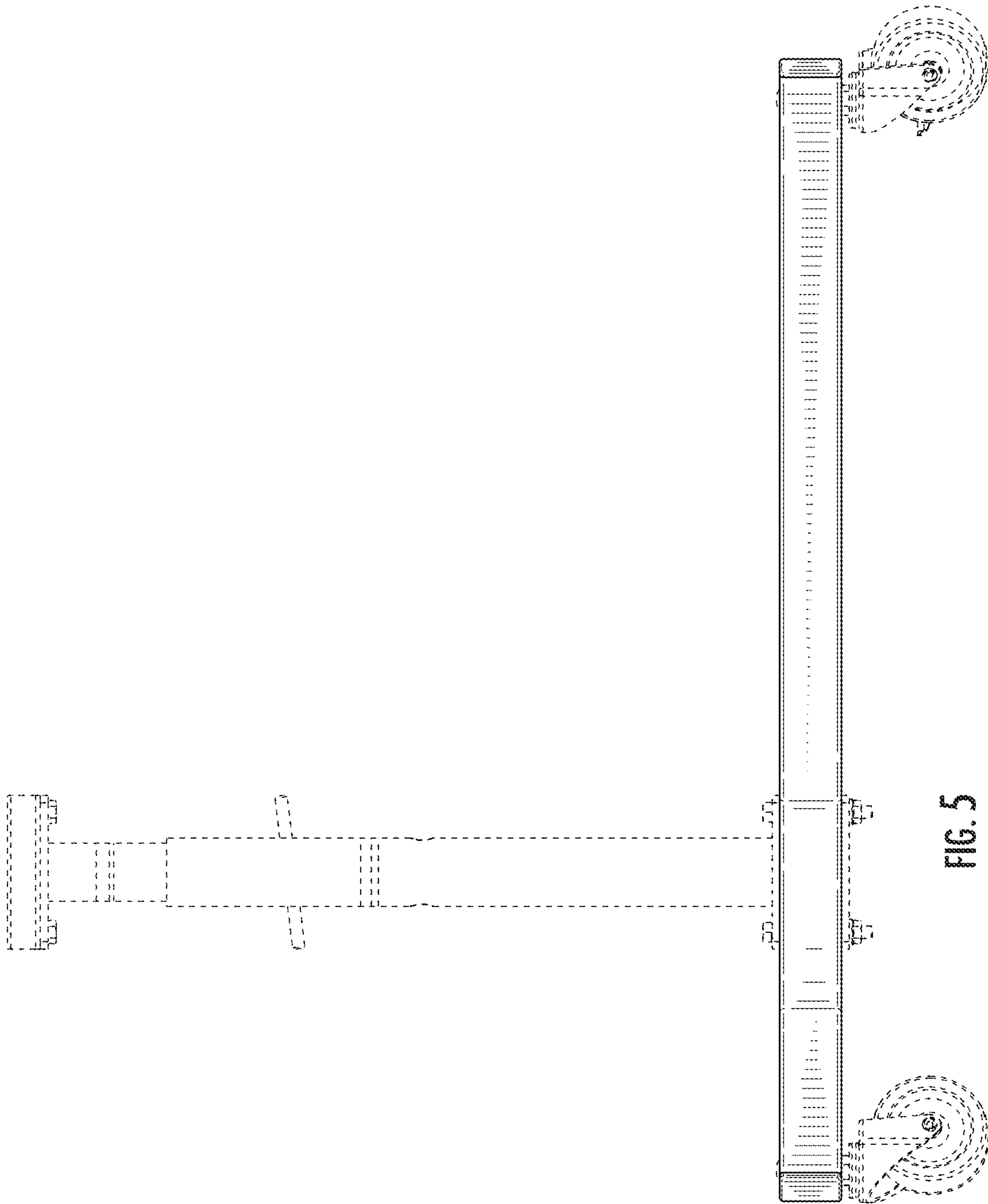
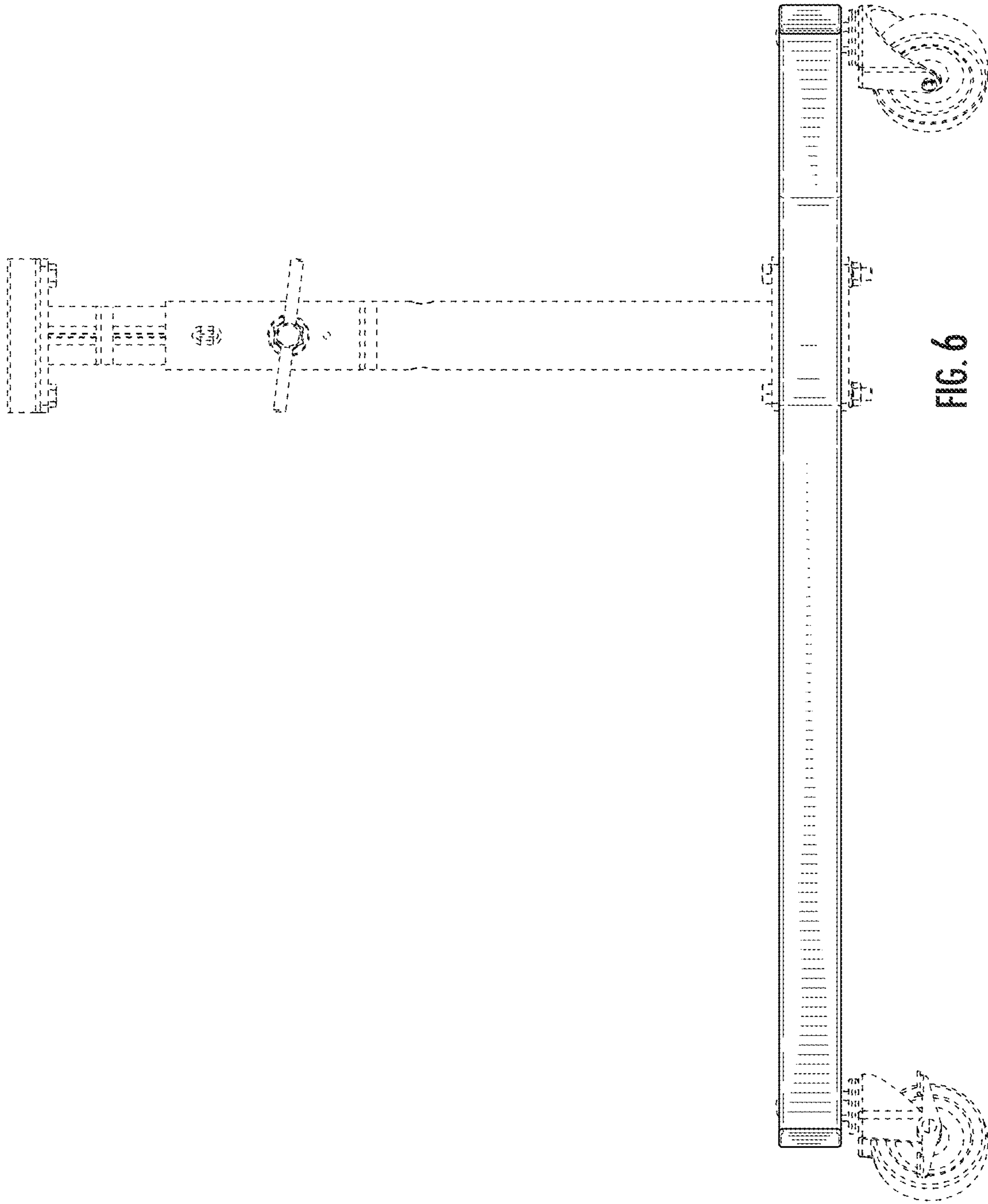


FIG. 3







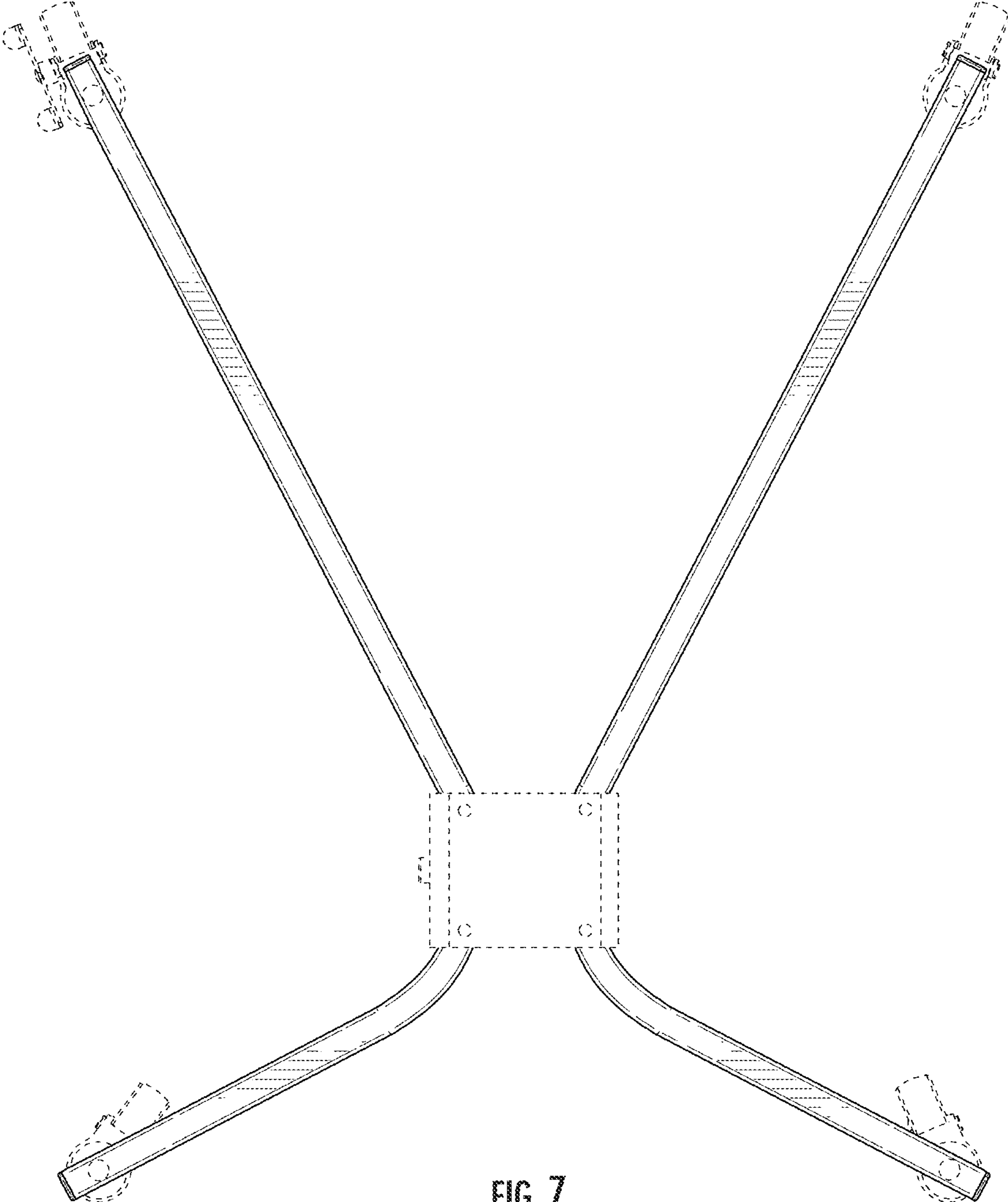


FIG. 7

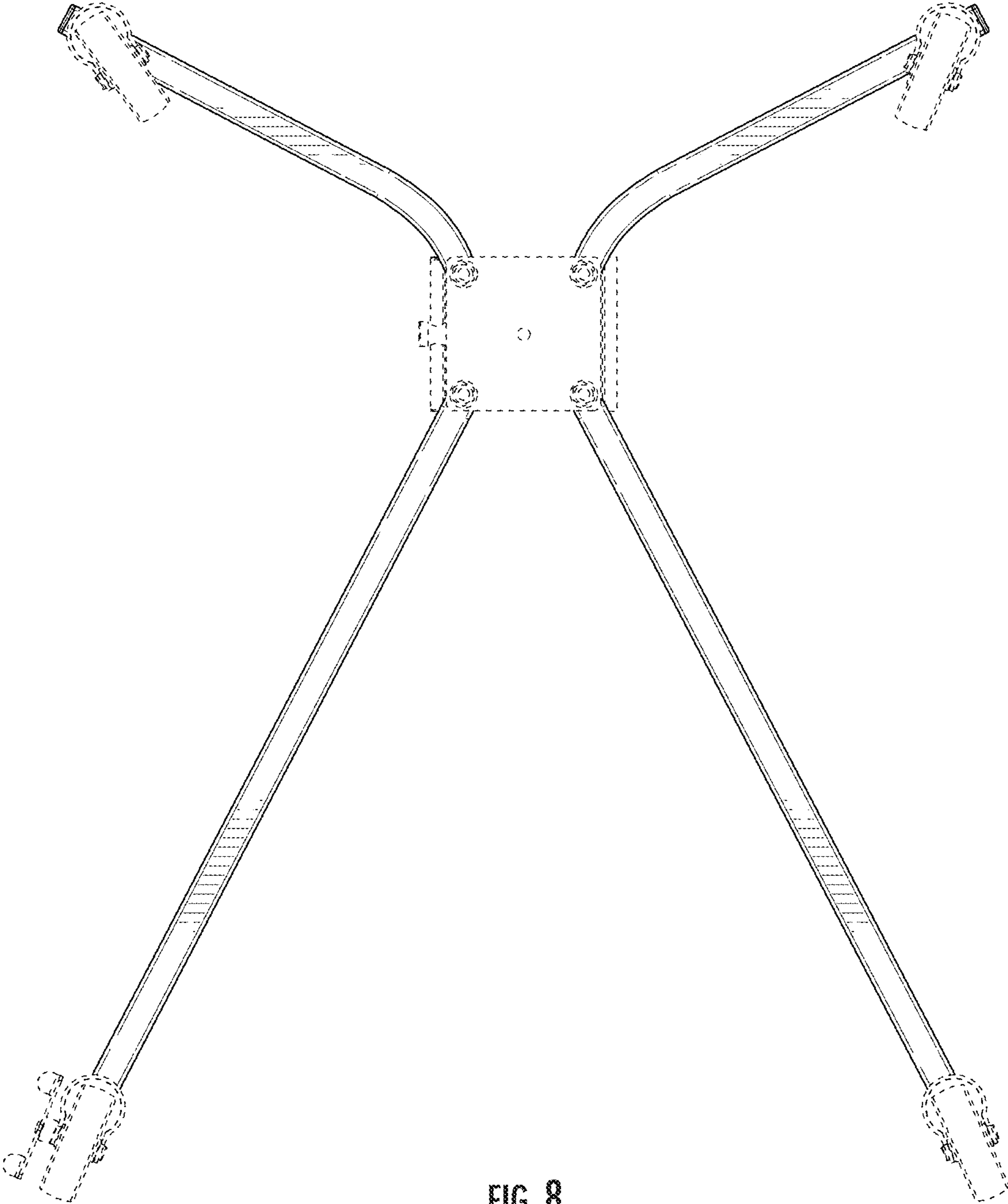


FIG. 8