



US00D955146S

(12) **United States Design Patent** (10) **Patent No.:** **US D955,146 S**
Yang et al. (45) **Date of Patent:** **** Jun. 21, 2022**

(54) **PRODUCT RETAINER BODY**
(71) Applicant: **Apple Inc.**, Cupertino, CA (US)
(72) Inventors: **Sheng Yang**, Mountain View, CA (US); **Olivia M. Ching**, Mountain View, CA (US); **Chien Tsun Chen**, Taipei (TW); **Eric Weijia Wang**, Newark, CA (US); **Ricardo A. Mariano**, Hayward, CA (US); **Allison Inouye**, San Francisco, CA (US); **Kristy Judy Hsu**, San Jose, CA (US); **Po Huang**, San Jose, CA (US); **Jean-Marc Gady**, Los Altos, CA (US); **Peter Russell-Clarke**, San Francisco, CA (US); **Daniele De Iuliis**, San Francisco, CA (US); **Jeremy Bataillou**, San Francisco, CA (US); **Markus Diebel**, San Francisco, CA (US); **Rico Zörkendörfer**, San Francisco, CA (US); **Molly Anderson**, San Francisco, CA (US); **Shota Aoyagi**, San Francisco, CA (US); **Jody Akana**, San Francisco, CA (US)

(73) Assignee: **Apple Inc.**, Cupertino, CA (US)
(**) Term: **15 Years**

(21) Appl. No.: **29/825,896**
(22) Filed: **Feb. 7, 2022**

Related U.S. Application Data

(63) Continuation of application No. 29/807,507, filed on Sep. 13, 2021, now Pat. No. Des. 945,803, which is (Continued)

(51) **LOC (13) Cl.** **06-06**
(52) **U.S. Cl.**
USPC **D6/682.3**

(58) **Field of Classification Search**
USPC D6/663, 672, 673, 677, 682, 682.3, D6/682.4; D14/447, 250, 253
(Continued)

(56) **References Cited**
U.S. PATENT DOCUMENTS
D214,768 S 7/1969 Hillis
D244,857 S 6/1977 Hayes
(Continued)

FOREIGN PATENT DOCUMENTS
JP D1430086 12/2011
KR 30-0337376 11/2003

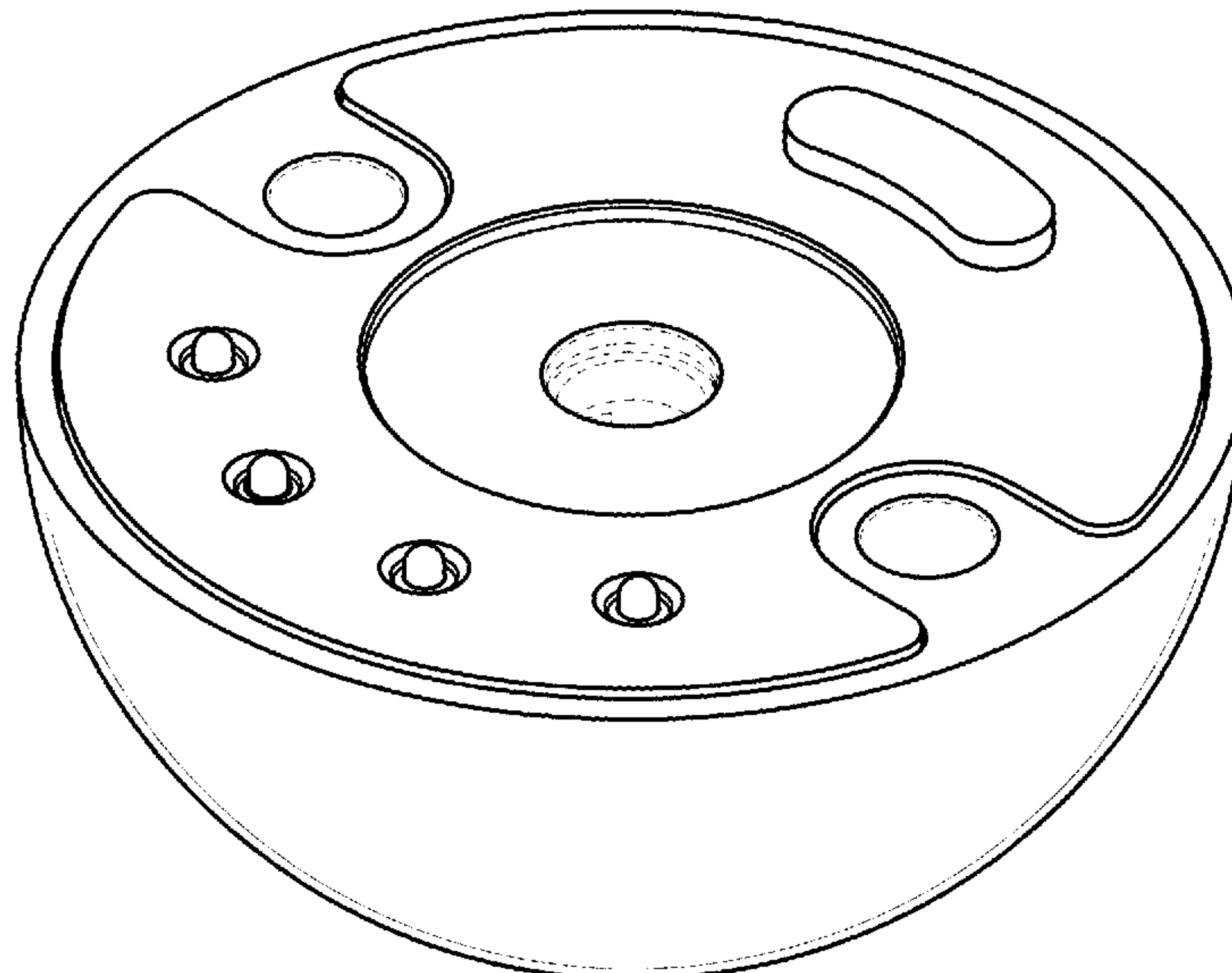
OTHER PUBLICATIONS
“Freedom Series,” Takachiho Koheki Co., Ltd., JPO document HC23006312, believed dated Jun. 3, 2011.
Primary Examiner — Kelley A Donnelly
(74) *Attorney, Agent, or Firm* — Sterne, Kessler, Goldstein & Fox P.L.L.C.

(57) **CLAIM**
The ornamental design for a product retainer body, as shown and described.

DESCRIPTION

FIG. 1 is a top front perspective view of a product retainer body showing the claimed design;
FIG. 2 is a front view thereof;
FIG. 3 is a rear view thereof;
FIG. 4 is a left side view thereof;
FIG. 5 is a right side view thereof;
FIG. 6 is a top view thereof; and,
FIG. 7 is a bottom view thereof.
The broken lines in the figures show portions of the product retainer body that form no part of the claimed design.

1 Claim, 5 Drawing Sheets



Related U.S. Application Data

a continuation of application No. 29/758,623, filed on Nov. 17, 2020, now Pat. No. Des. 930,414, which is a continuation of application No. 29/743,203, filed on Jul. 20, 2020, now Pat. No. Des. 904,091, which is a continuation of application No. 29/695,817, filed on Jun. 21, 2019, now Pat. No. Des. 893,926.

(58) **Field of Classification Search**

CPC . A47F 5/16; A45C 2011/003; F16M 2200/08; G06F 1/1607; G06F 1/1626; G06F 1/1613; Y10S 248/917

See application file for complete search history.

(56)

References Cited

U.S. PATENT DOCUMENTS

D250,801 S 1/1979 Bergen et al.
 D268,743 S 4/1983 Lubin
 D314,501 S 2/1991 Pagano
 D367,408 S 2/1996 Fordyce
 D393,959 S 5/1998 Geier et al.
 D407,408 S 3/1999 Hoff
 D446,043 S 8/2001 Stoppenhagen et al.
 6,476,717 B1 11/2002 Gross et al.
 D485,710 S 1/2004 Burkhart et al.
 D488,741 S 4/2004 Moya
 D490,559 S 5/2004 Small
 D510,358 S 10/2005 Ezure
 7,209,038 B1 4/2007 Deconinck et al.
 D542,279 S 5/2007 Chan
 D545,826 S 7/2007 Richter
 D589,962 S 4/2009 Maruyama et al.
 D590,184 S 4/2009 Barabas et al.
 D599,241 S 9/2009 Andre et al.
 D608,718 S 1/2010 Nas et al.
 D612,837 S 3/2010 Murray
 7,724,135 B2 5/2010 Rapp et al.
 D617,383 S 6/2010 Yoon
 7,740,214 B2 6/2010 Marsilio et al.
 7,748,669 B2 7/2010 Lu et al.
 D628,203 S 11/2010 Noble
 D629,405 S 12/2010 Crysell
 D641,610 S 7/2011 Sedalo
 D645,047 S 9/2011 Wike
 8,020,816 B2 9/2011 Laitila et al.
 D652,422 S 1/2012 Cheng
 8,087,625 B2 1/2012 Chang
 8,145,821 B2 3/2012 Mead et al.
 D660,890 S * 5/2012 Ito D15/143
 D663,972 S 7/2012 Alexander et al.
 D673,960 S 1/2013 Lindfield et al.

D682,814 S 5/2013 Kadivar et al.
 D685,253 S 7/2013 Hiebert
 D687,440 S 8/2013 Shieh
 D695,714 S 12/2013 Lee
 D696,259 S * 12/2013 Howarth D14/447
 D696,674 S 12/2013 Vogel
 D698,568 S 2/2014 Chen
 D701,831 S * 4/2014 Park D13/108
 D703,657 S 4/2014 Carnevali
 D704,199 S 5/2014 Byun
 D709,066 S 7/2014 Byun
 D709,357 S 7/2014 Bell
 D709,607 S 7/2014 Wang
 D713,398 S * 9/2014 Alesi D14/253
 D720,752 S 1/2015 Bleads
 D729,043 S 5/2015 Poppell
 D731,496 S 6/2015 Voorhees
 D733,967 S 7/2015 Schlatter
 D734,746 S 7/2015 Vogel
 D735,162 S 7/2015 Allen
 D741,093 S 10/2015 McKinney et al.
 D743,941 S 11/2015 Patsis
 D744,621 S 12/2015 Shavatt et al.
 D756,152 S 5/2016 Schwalbach et al.
 D769,859 S * 10/2016 Herbst D14/253
 D777,482 S 1/2017 Schwalbach et al.
 D784,978 S * 4/2017 Hobbs D14/253
 D789,373 S 6/2017 King
 D798,808 S 10/2017 Ptok et al.
 D799,492 S * 10/2017 Seiss D14/447
 D801,414 S 10/2017 Martin et al.
 D813,576 S 3/2018 Schwalbach et al.
 D832,859 S * 11/2018 Charlesworth D14/434
 D868,770 S * 12/2019 Hohman D16/242
 D878,826 S * 3/2020 Smith D6/672
 D878,827 S * 3/2020 Smith D6/672
 D879,749 S * 3/2020 Qi D14/224
 D904,091 S * 12/2020 Yang D6/682.3
 D904,326 S * 12/2020 Zhang D14/253
 D917,497 S * 4/2021 Lee D14/447
 D920,984 S 6/2021 Howarth et al.
 D933,667 S * 10/2021 Siminoff D14/447
 D936,661 S * 11/2021 Lee D14/447
 D945,803 S * 3/2022 Yang D6/682.3
 2006/0198692 A1 9/2006 Petit
 2009/0218240 A1 9/2009 Allen et al.
 2011/0047844 A1 3/2011 Fawcett et al.
 2011/0068919 A1 3/2011 Rapp et al.
 2011/0084838 A1 4/2011 Fawcett
 2011/0187531 A1 8/2011 Oehl et al.
 2012/0188082 A1 7/2012 Berglund et al.
 2012/0280810 A1 11/2012 Wheeler
 2014/0106608 A1 4/2014 Howarth et al.
 2015/0021458 A1 1/2015 Zorovich et al.

* cited by examiner

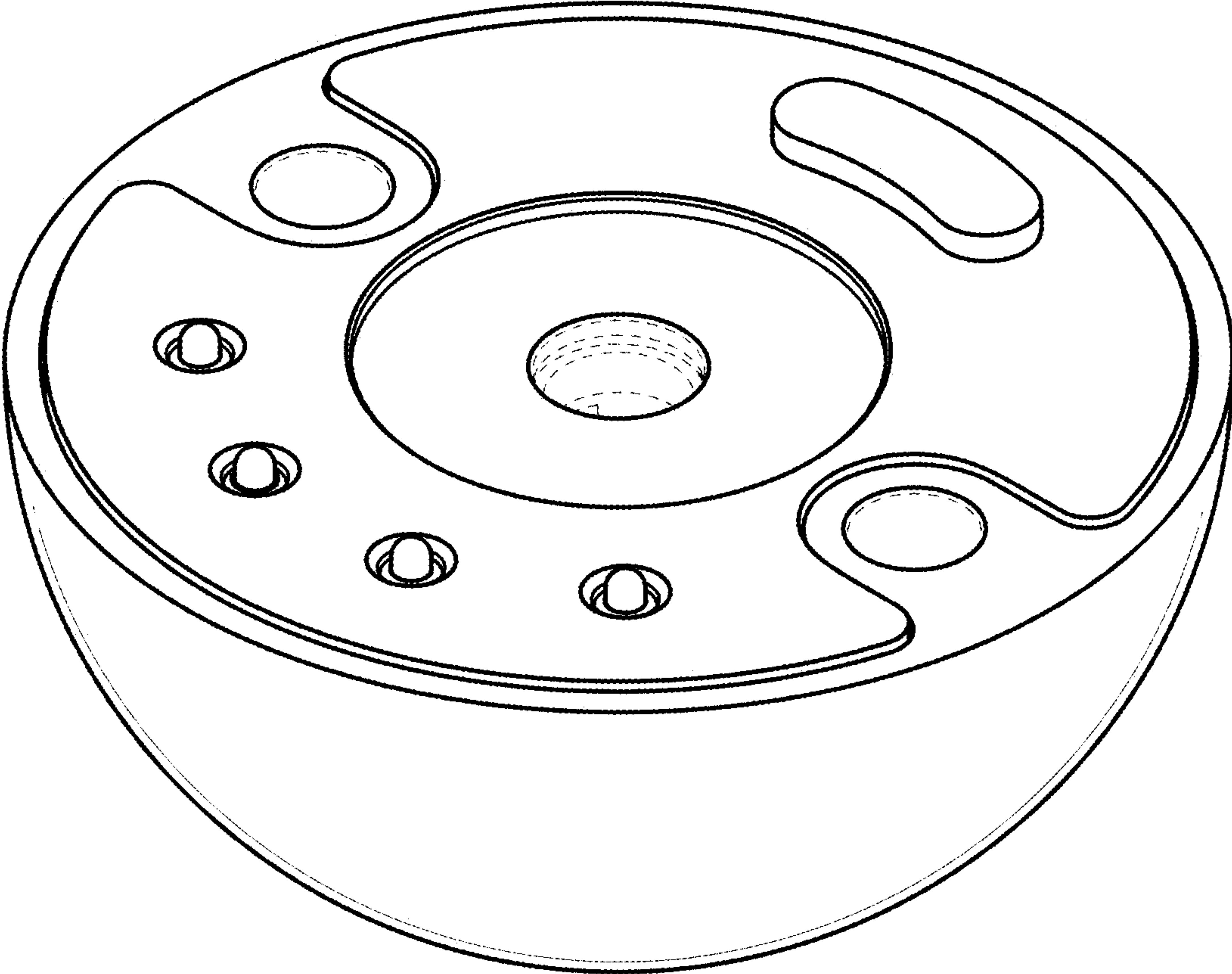


FIG. 1

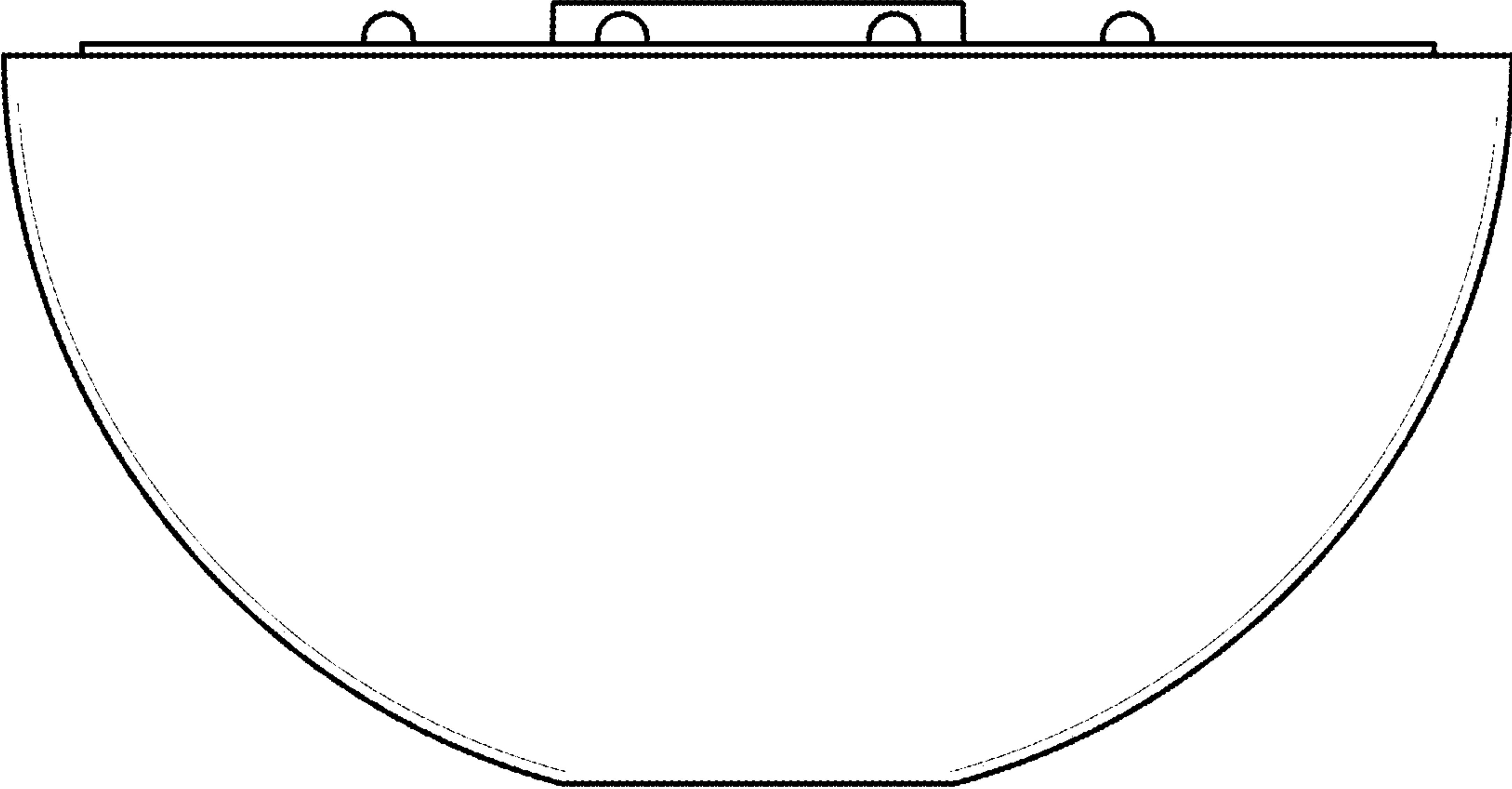


FIG. 2

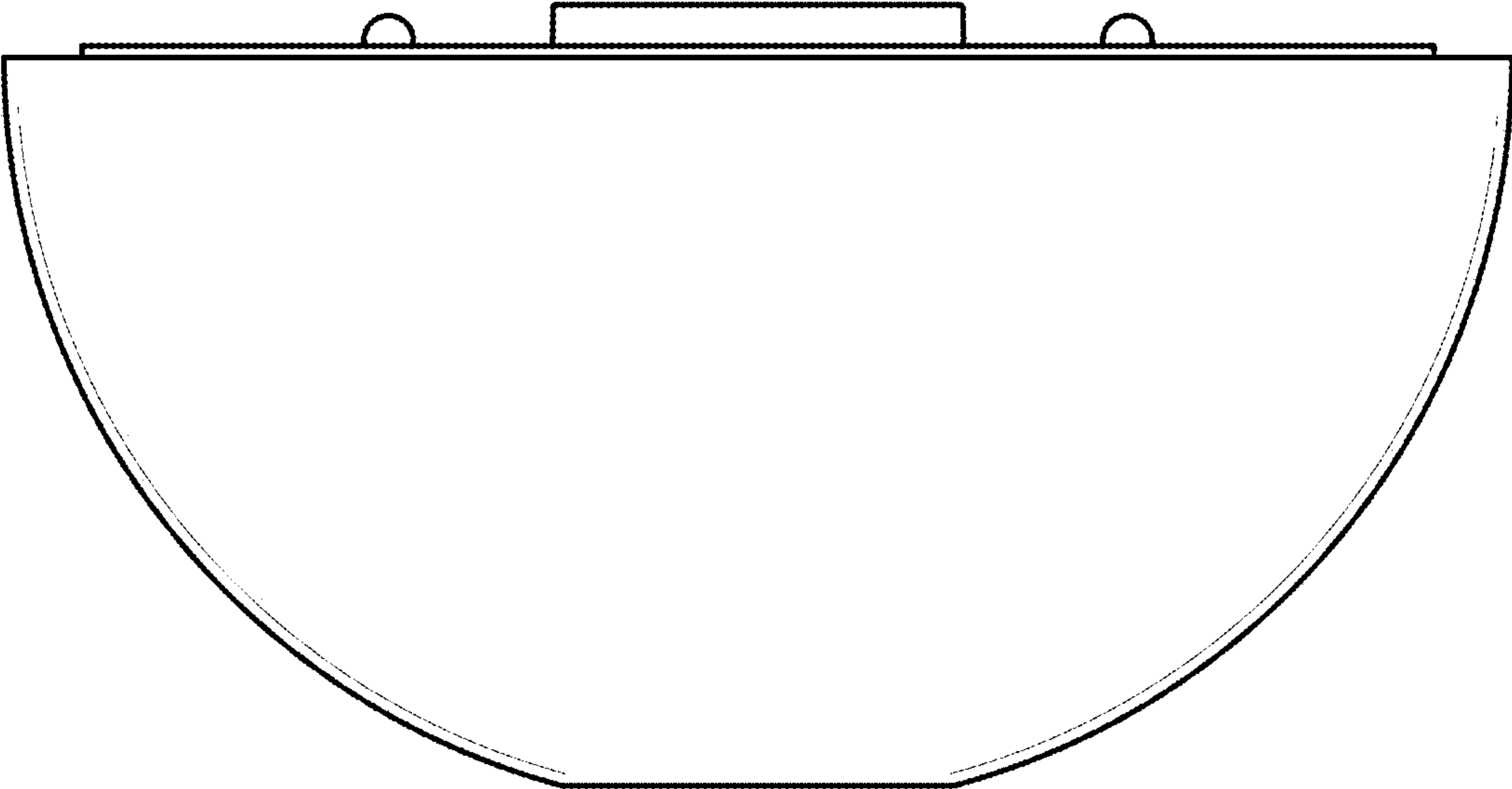


FIG. 3

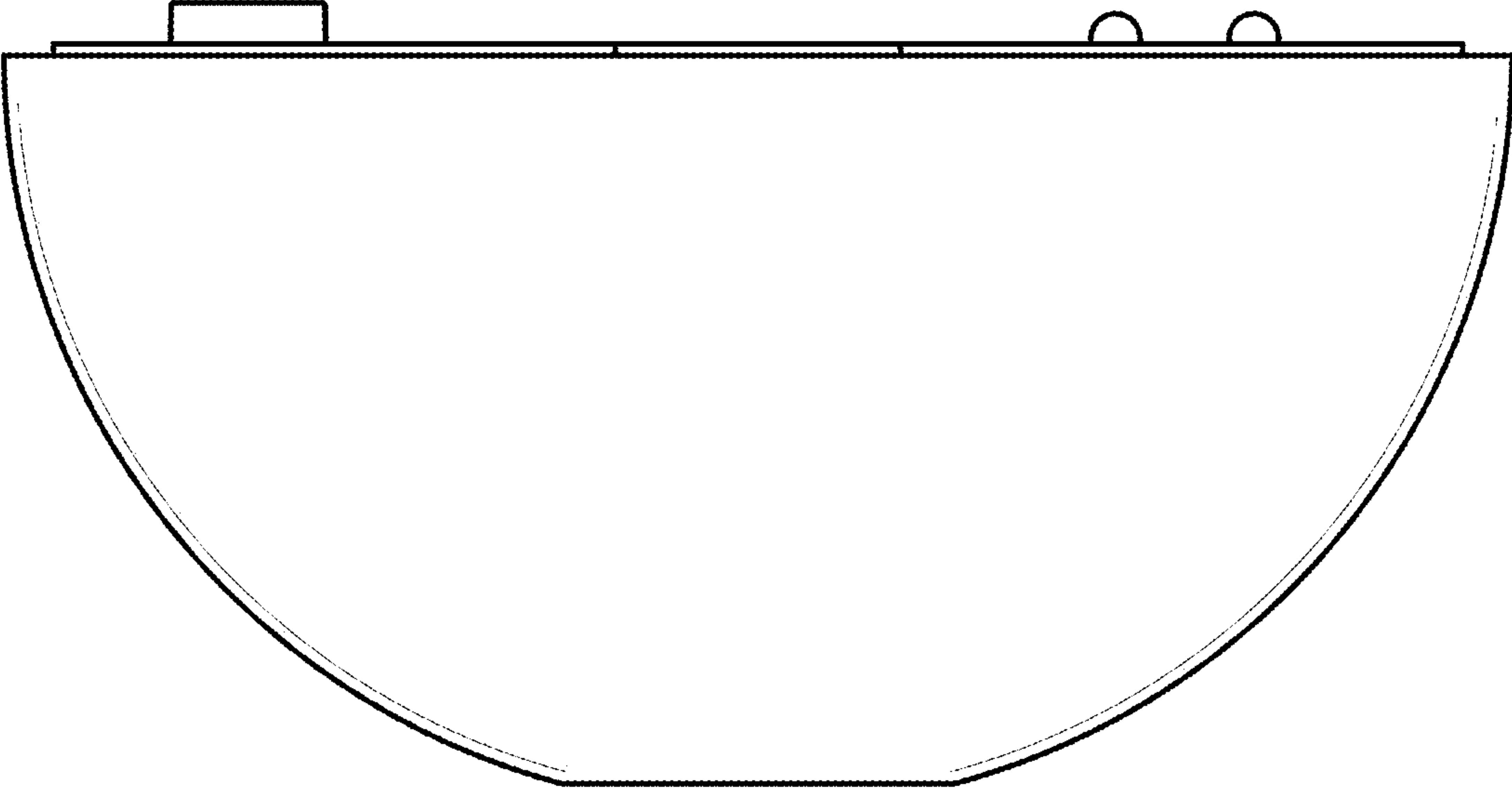


FIG. 4

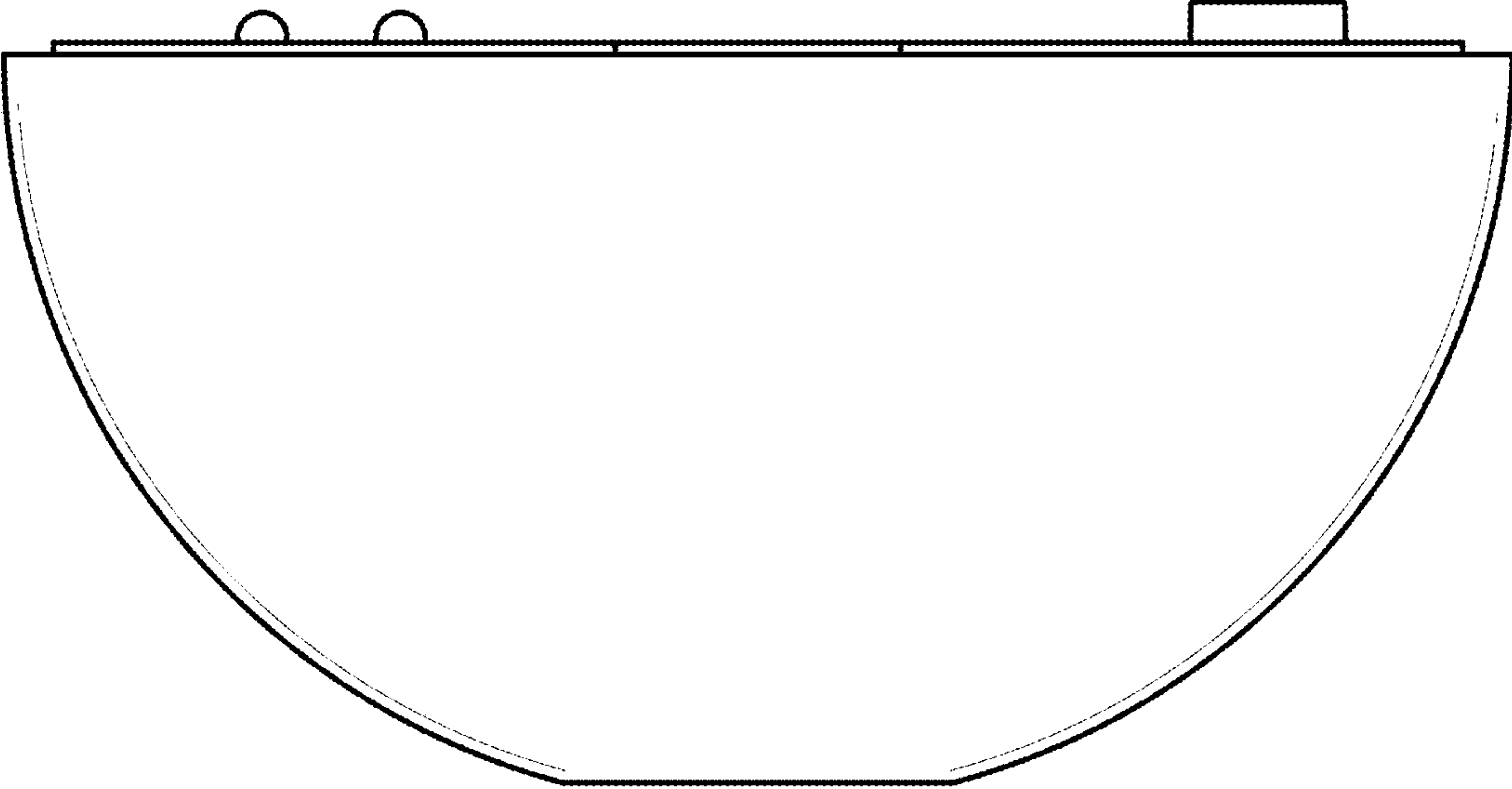


FIG. 5

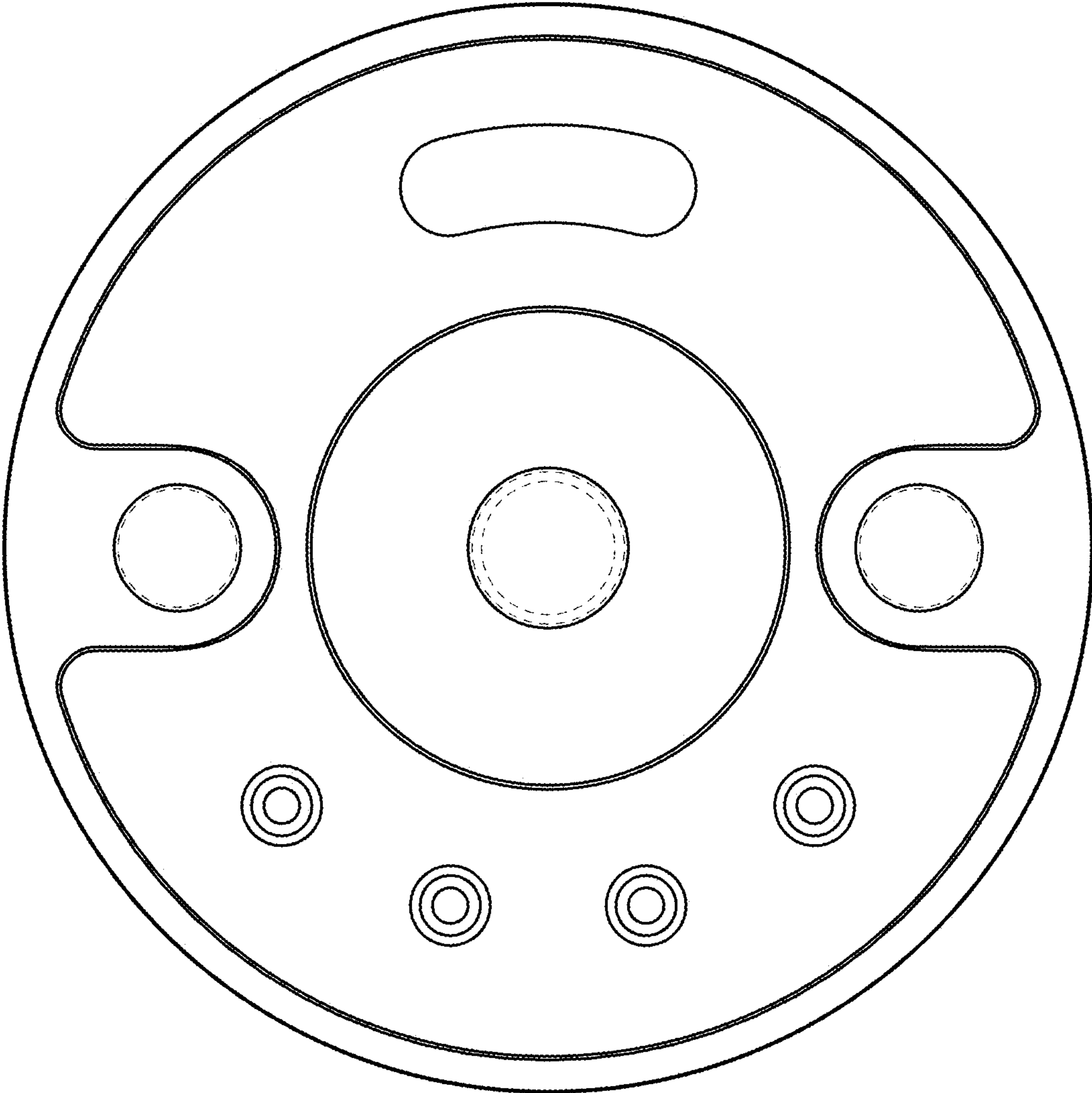


FIG. 6

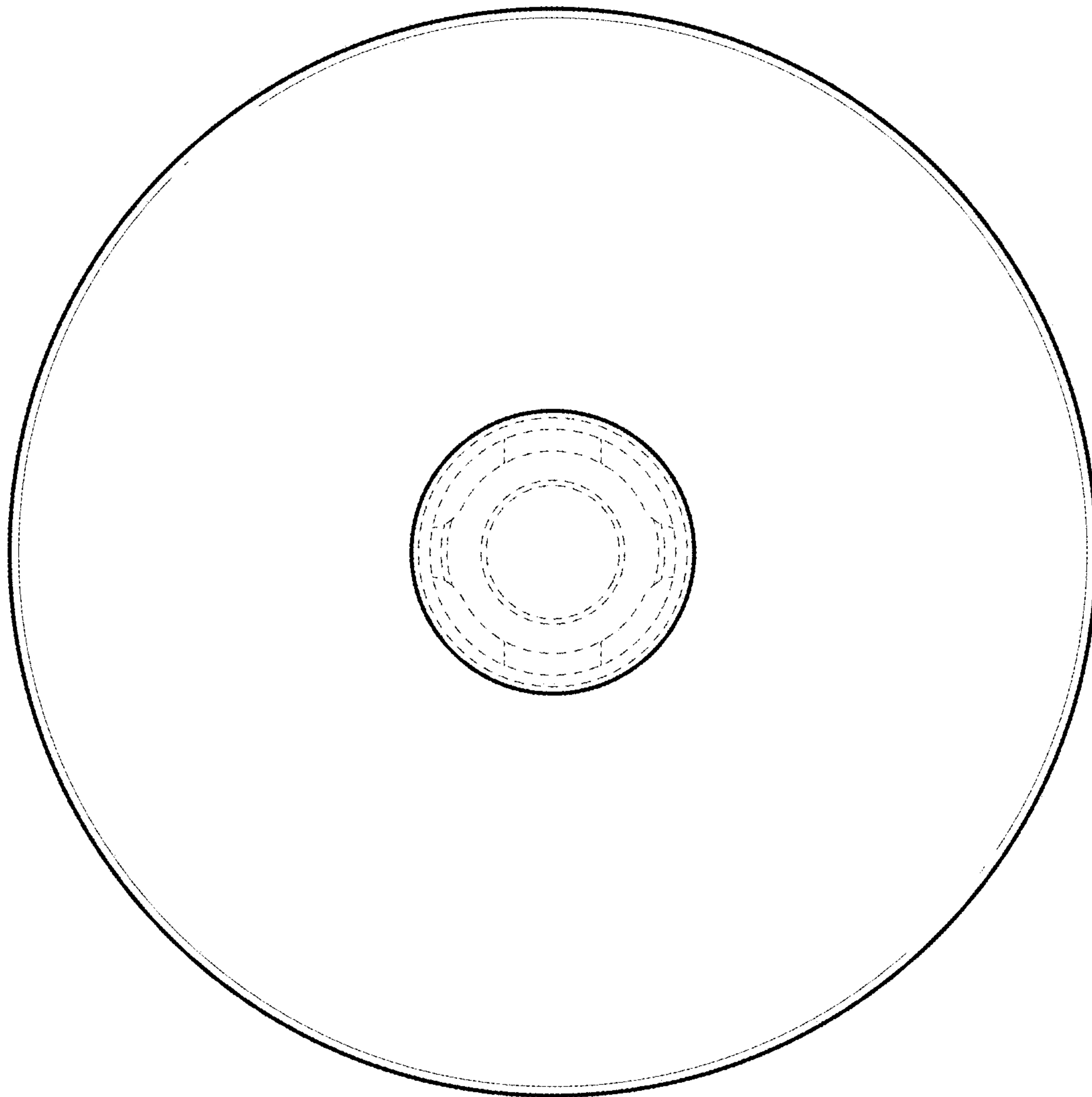


FIG. 7