



US00D955145S

(12) **United States Design Patent**
Huang

(10) **Patent No.:** **US D955,145 S**
(45) **Date of Patent:** **** Jun. 21, 2022**

- (54) **GARMENT RACK**
- (71) Applicant: **Yingdong Huang**, Nanchong (CN)
- (72) Inventor: **Yingdong Huang**, Nanchong (CN)
- (**) Term: **15 Years**
- (21) Appl. No.: **29/728,874**
- (22) Filed: **Mar. 23, 2020**
- (51) **LOC (13) Cl.** **06-04**
- (52) **U.S. Cl.**
USPC **D6/681**
- (58) **Field of Classification Search**
USPC D6/672, 675, 675.1-675.5, 681, 681.1,
D6/681.2, 681.3
CPC A47B 43/00; A47B 45/00; A47B 46/00;
A47B 47/00; A47B 47/02; A47B 47/021;
A47B 61/00; A47B 61/02; A47F 5/00;
A47F 5/0031; A47F 5/01; A47F 5/0807;
A47F 5/13; A47F 7/19; A47F 7/24; A47G
25/06
See application file for complete search history.

(56) **References Cited**

U.S. PATENT DOCUMENTS

- 2,798,618 A * 7/1957 Singer A47G 25/0664
211/204
- 2,885,090 A * 5/1959 Forman A47F 7/24
211/175
- 3,298,537 A * 1/1967 Di Marco A47F 7/24
211/200
- 3,303,938 A * 2/1967 Solomon A47F 7/24
211/182
- 3,318,462 A * 5/1967 Spiegl A47F 7/24
211/190
- 3,358,847 A * 12/1967 Magnuson A47G 25/0664
211/189
- 3,371,797 A * 3/1968 Caligiuri A47F 7/24
211/204
- 3,499,541 A * 3/1970 Mackie A47B 45/00
211/134

- 3,503,525 A * 3/1970 Loebner A47G 25/0664
211/206
- 3,561,609 A * 2/1971 Doherty F16B 7/00
211/206
- 3,620,377 A * 11/1971 Holtz A47G 25/0664
211/206
- 3,705,731 A * 12/1972 Berchak B62B 3/02
280/651
- 3,831,768 A * 8/1974 Keller A47F 7/24
211/1
- 3,918,591 A * 11/1975 Cooper A47F 5/108
211/204
- 4,054,209 A * 10/1977 Solomon A47F 7/24
211/208

(Continued)

OTHER PUBLICATIONS

Simple Trending Double Rail Clothes Garment Rack, amazon.com, https://www.amazon.com/Simple-Trending-Commercial-Expandable-Collapsible/dp/B07Q823NRP/ref=sr_1_7?dchild=1&keywords=simple+trending+garment+rack&qid=1620761387&sr=8-7 (Year: 2019).*

Primary Examiner — Steven J Czyz

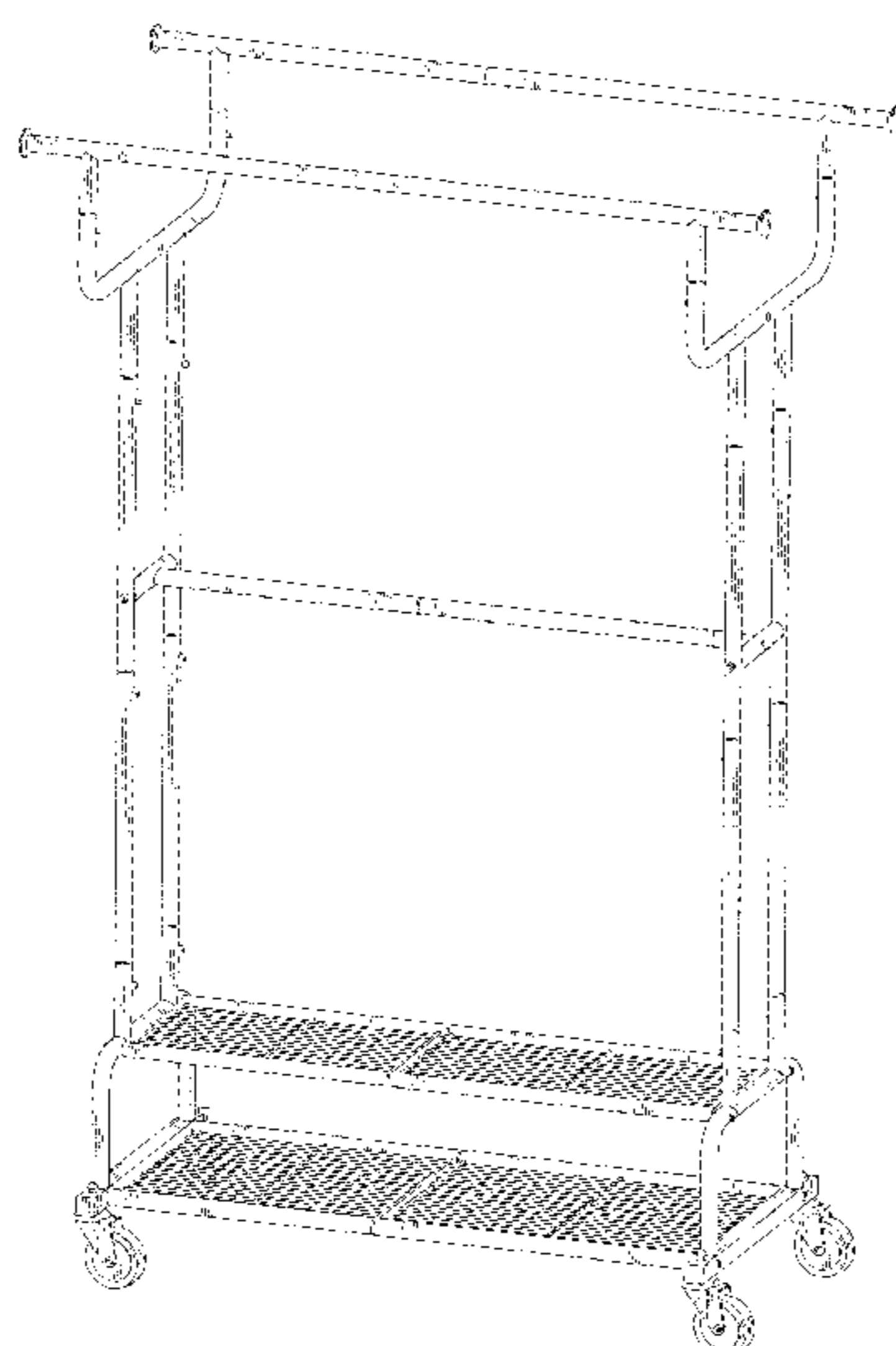
(57) **CLAIM**

The ornamental design for a garment rack, as shown and described.

DESCRIPTION

FIG. 1 is a perspective view of the garment rack showing my new design;
FIG. 2 is a front elevational view thereof;
FIG. 3 is a rear elevational view thereof;
FIG. 4 is a left side elevational view thereof;
FIG. 5 is a right side elevational view thereof;
FIG. 6 is a top plan view thereof;
FIG. 7 is a bottom plan view thereof; and,
FIG. 8 is another use status perspective view thereof.
The broken lines illustrate portions of the garment rack that form no part of the claimed design.

1 Claim, 8 Drawing Sheets



(56)

References Cited

U.S. PATENT DOCUMENTS

D289,243 S * 4/1987 Arnold B62B 3/02
D6/709
D304,528 S * 11/1989 Handler F16B 7/00
D6/681.1
5,167,564 A * 12/1992 Lord A63H 3/52
211/123
5,617,962 A * 4/1997 Chen A47G 25/0664
211/204
D450,948 S * 11/2001 Stafford D6/681.1
D456,167 S * 4/2002 Harwanko D6/548
6,401,948 B1 * 6/2002 Huang A47F 5/137
211/206
6,488,160 B2 * 12/2002 Wang A47F 7/19
211/195
D470,685 S * 2/2003 Chang D6/681.1
D474,350 S * 5/2003 Sardis D6/681.1
D476,167 S * 6/2003 Klein D6/681.1
6,644,484 B1 * 11/2003 Sardis A47B 43/00
211/189
D491,742 S * 6/2004 Harwanko D6/681.1
D495,523 S * 9/2004 Harwanko D6/681.1
7,077,277 B2 * 7/2006 Wang A47B 91/02
182/186.7
D537,266 S * 2/2007 Ward D6/681.1

D546,013 S * 7/2007 Pong D32/58
7,946,434 B1 * 5/2011 Greenspon A47G 25/0685
211/85.3
8,936,166 B2 * 1/2015 Hornsby A47F 5/10
211/85.3
D736,548 S * 8/2015 Hornsby D6/681.1
D749,879 S * 2/2016 Wall D6/680.3
D750,401 S * 3/2016 Ruiz D6/681
D753,940 S * 4/2016 Ruiz D6/681
D777,483 S * 1/2017 Bittie D6/681
D790,892 S * 7/2017 Chung D6/681
D809,835 S * 2/2018 Greenspon D6/681
D819,374 S * 6/2018 Kuehn D6/681.2
D827,342 S * 9/2018 Stukenberg D6/681
D829,473 S * 10/2018 Mical D6/681
10,264,878 B1 * 4/2019 Liu A47B 88/40
D874,191 S * 2/2020 Qi D6/664
D887,188 S * 6/2020 Felsenthal D6/681.2
D889,171 S * 7/2020 Cao D6/681.2
D895,331 S * 9/2020 Felsenthal A47F 5/137
D6/678.4
D901,952 S * 11/2020 Tuang A47G 25/0664
D6/681
D909,104 S * 2/2021 Lai D6/681.2
D910,351 S * 2/2021 Davis D6/681.2
D911,085 S * 2/2021 Song D6/681.2
D917,212 S * 4/2021 Du D6/681.2

* cited by examiner

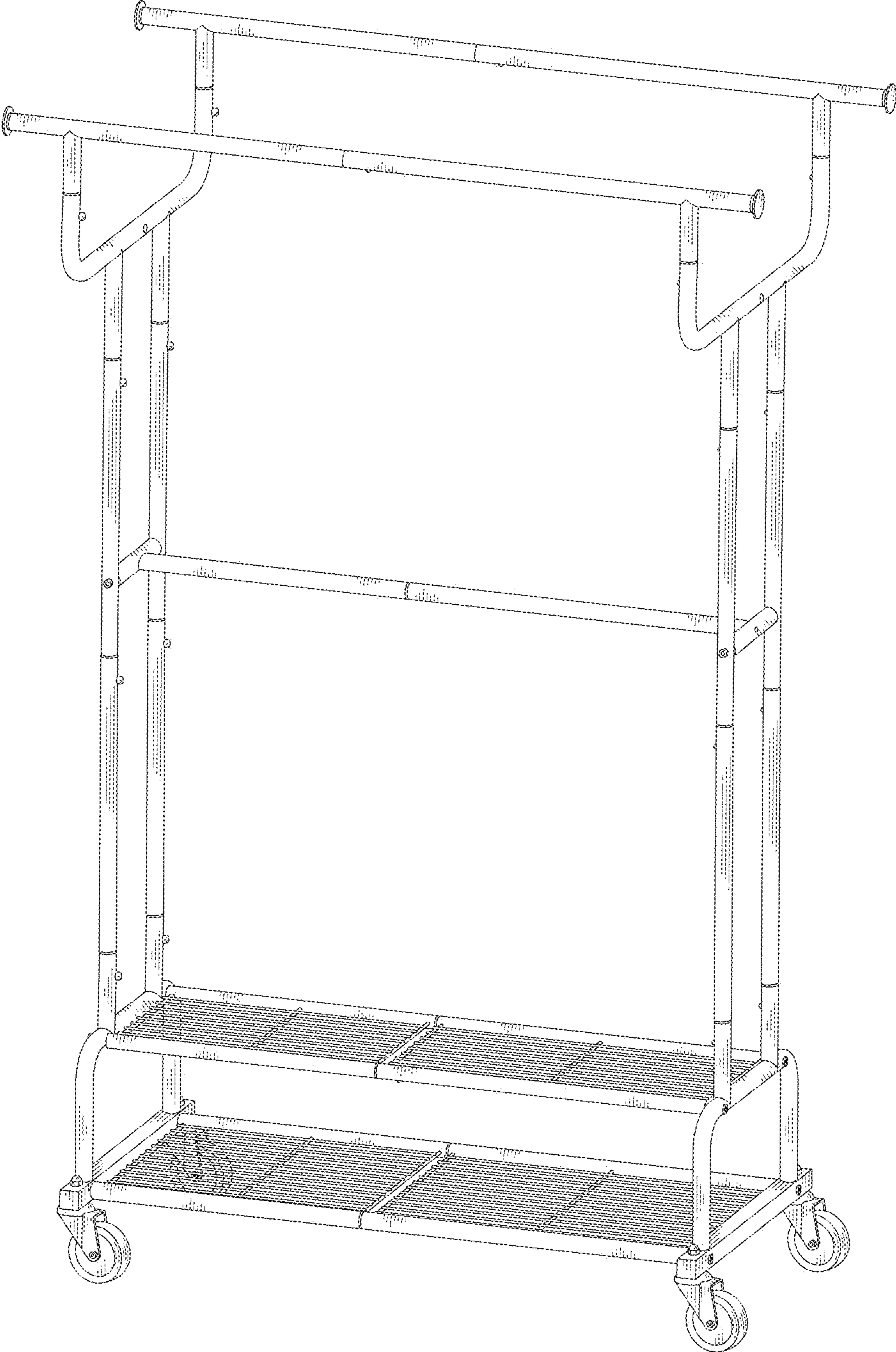


FIG. 1

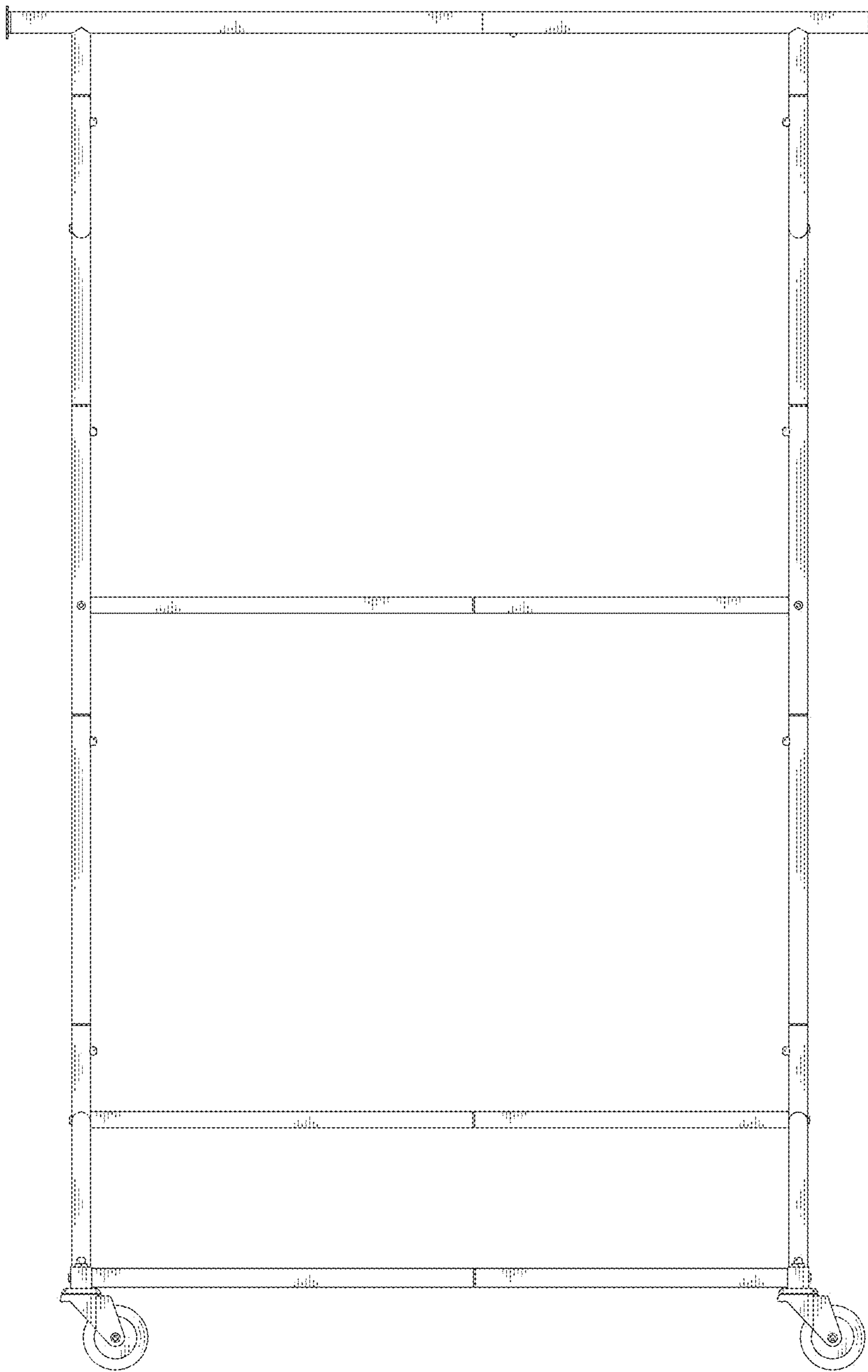


FIG. 2

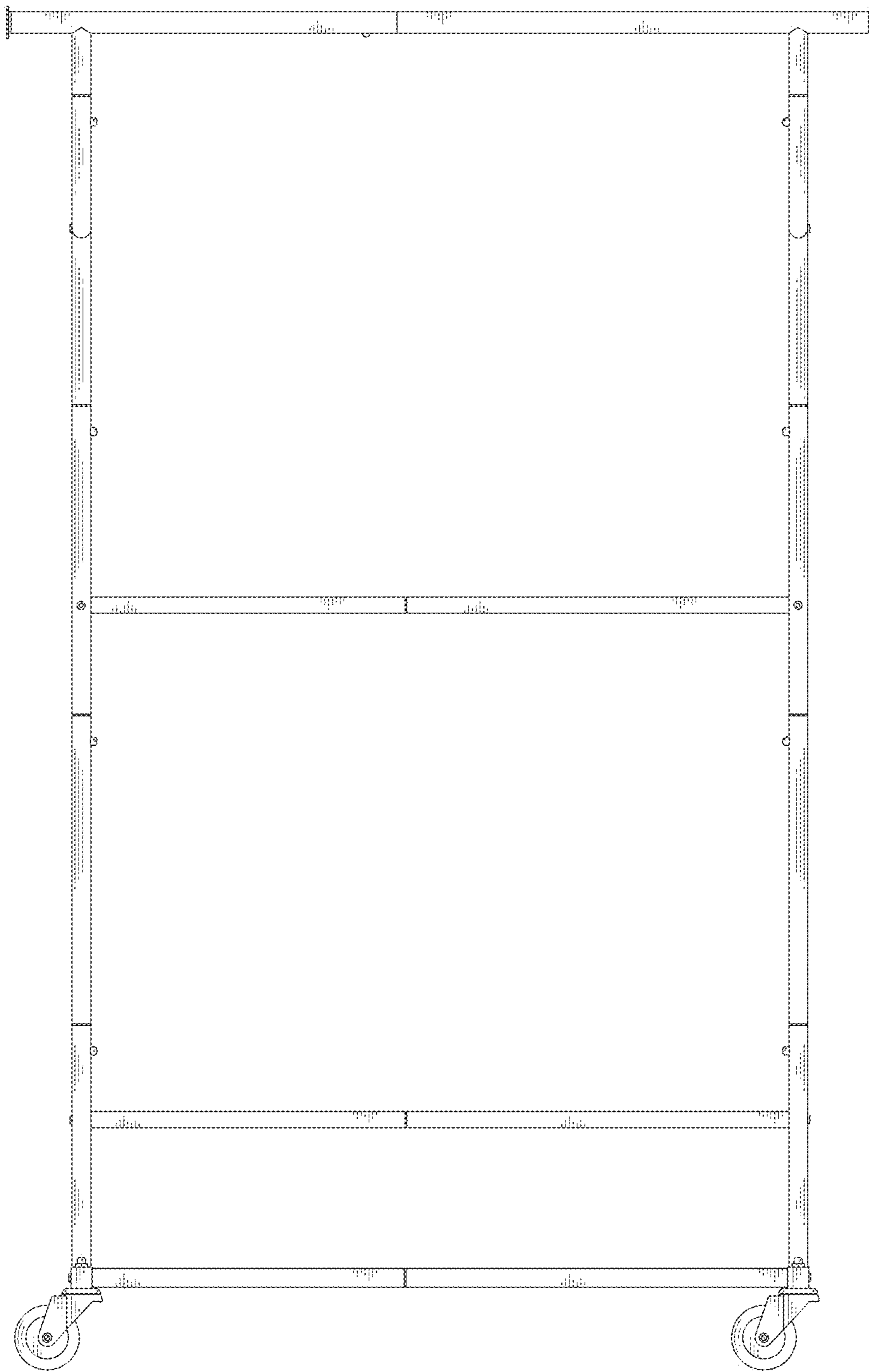


FIG. 3

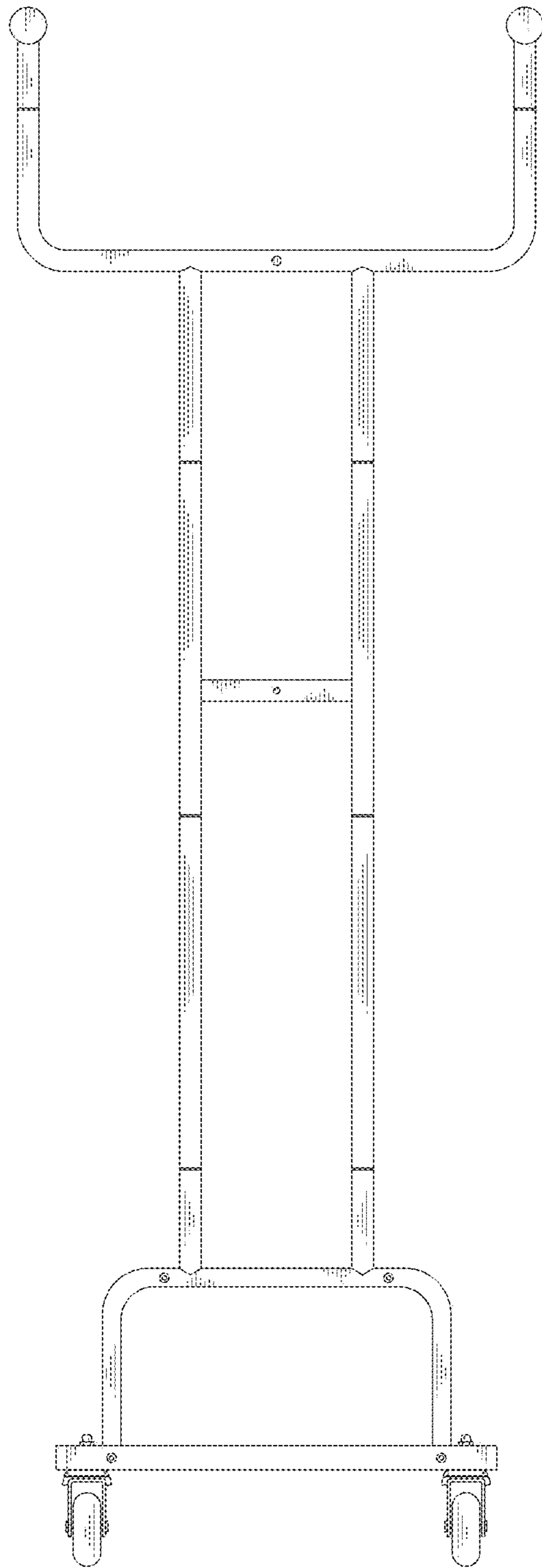


FIG. 4

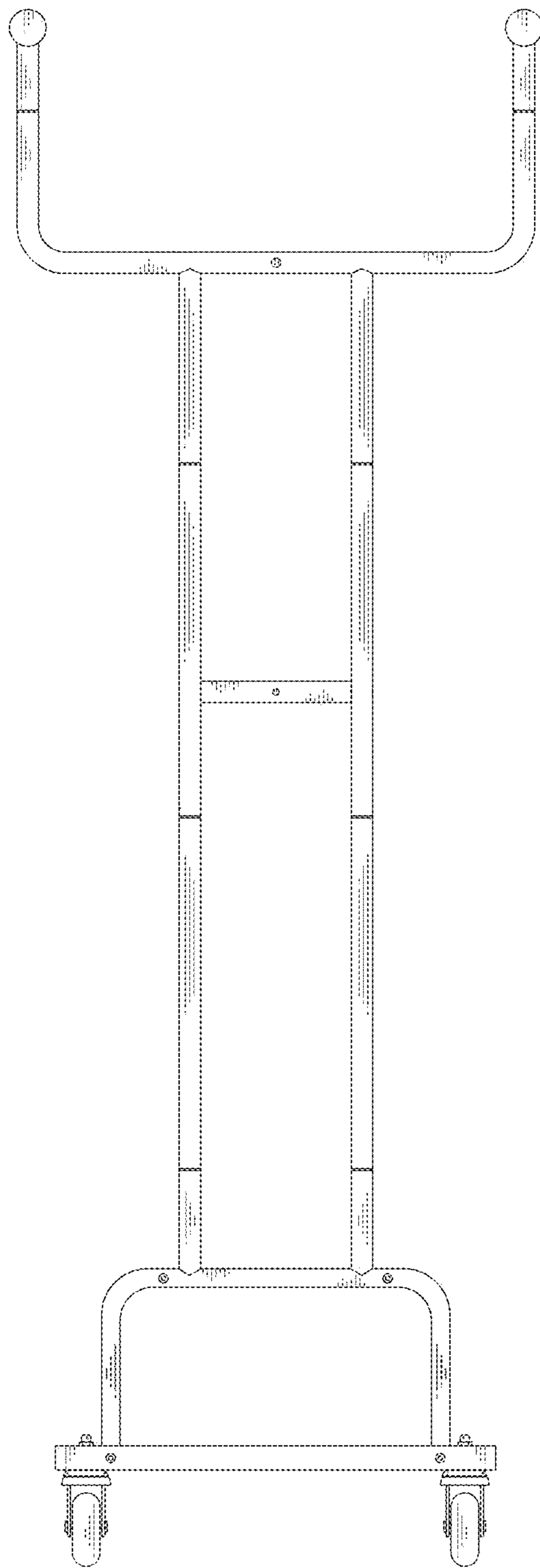


FIG. 5

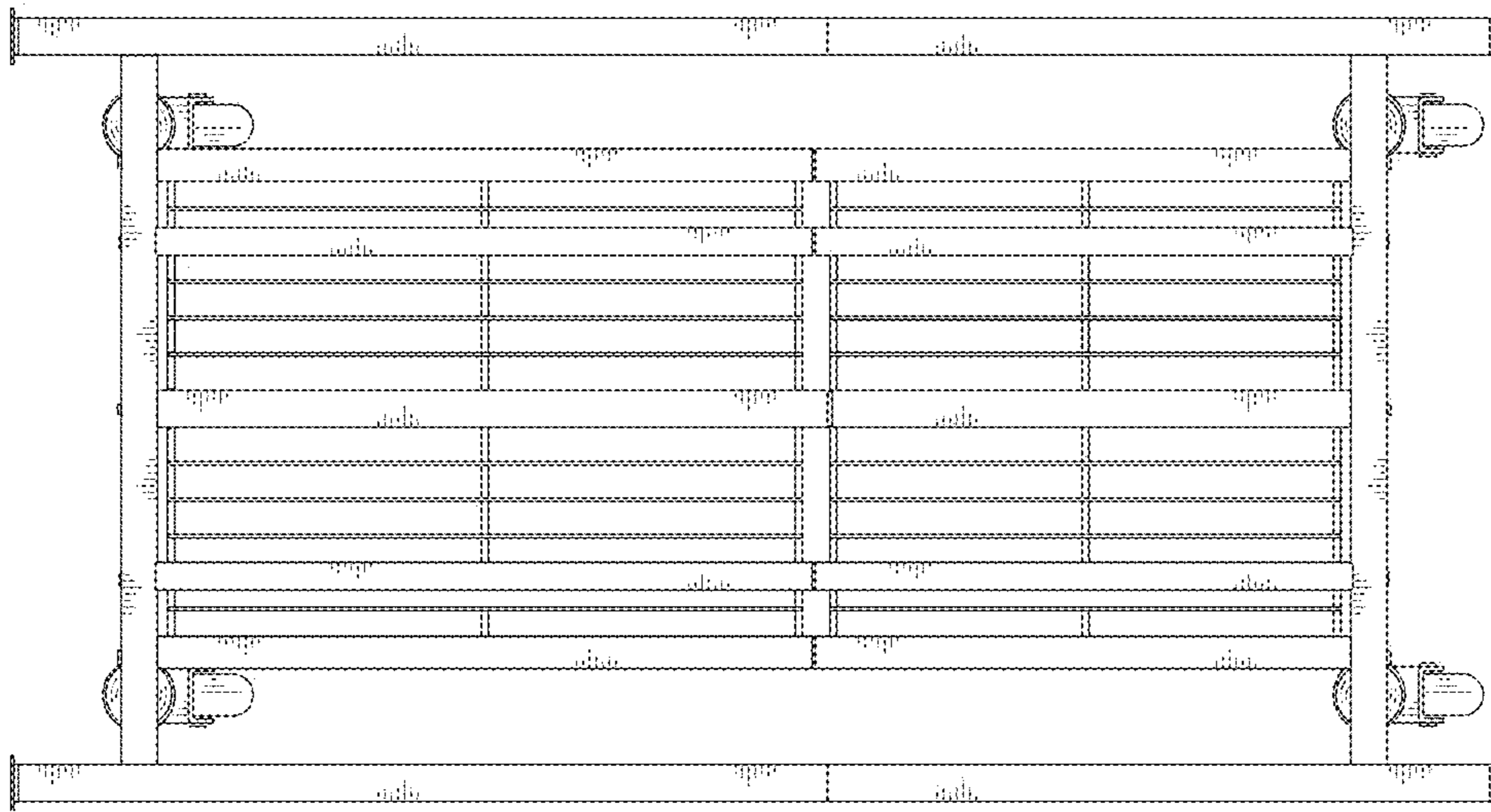


FIG. 6

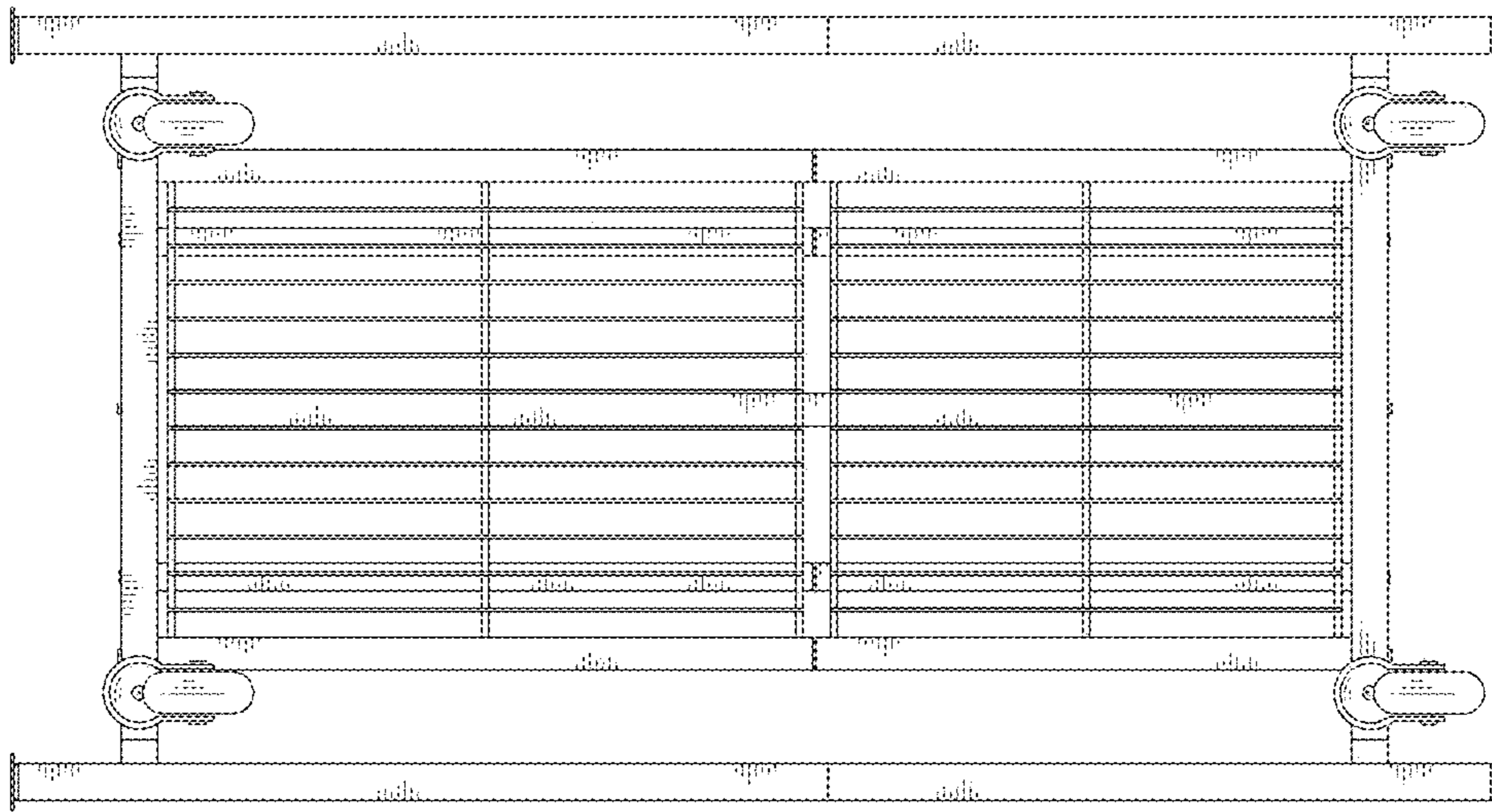


FIG. 7

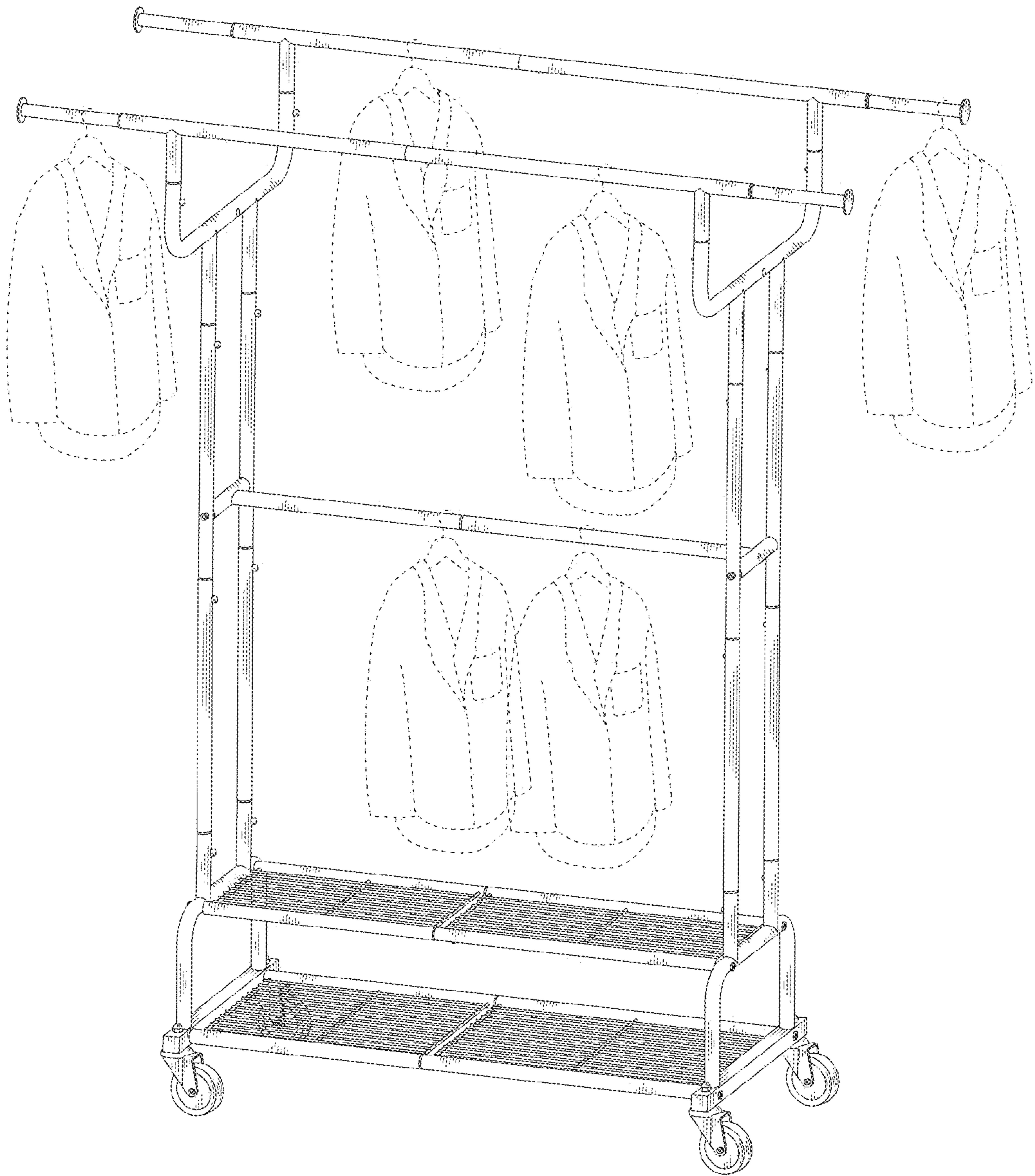


FIG. 8