



US00D955143S

(12) **United States Design Patent**
Bernstein

(10) **Patent No.:** **US D955,143 S**
(45) **Date of Patent:** **** Jun. 21, 2022**

- (54) **RUG GRIPPER**
- (71) Applicant: **Hills Point Industries, LLC**, Westport, CT (US)
- (72) Inventor: **Jennifer Richter Bernstein**, Westport, CT (US)
- (73) Assignee: **Hills Point Industries, LLC**, Westport, CT (US)

- D285,379 S * 8/1986 Metzger B44C 3/123
D5/63
- 5,305,538 A * 4/1994 Kanzelberger B44C 3/08
156/63
- D394,835 S * 6/1998 Crute-Williams B44C 3/08
D12/203
- D453,339 S * 2/2002 Pentz D14/436
- D471,752 S * 3/2003 Haboush D6/613
- D569,064 S * 5/2008 Hinder B44C 3/08
D32/25
- D575,332 S * 8/2008 Parker B44C 3/08
D19/9

(**) Term: **15 Years**

(Continued)

(21) Appl. No.: **29/720,413**

OTHER PUBLICATIONS

(22) Filed: **Jan. 13, 2020**

IPRIMIO Carpet Gripper sold on Amazon.com. Nov. 3, 2018. Accessed on Jun. 2, 2021. (Year: 2018).*

(51) **LOC (13) Cl.** **06-11**

(Continued)

(52) **U.S. Cl.**

USPC **D6/592**; D6/587

(58) **Field of Classification Search**

USPC D6/582-589, 592, 609; D8/374; D19/9; D32/57; D23/307

CPC A47G 27/0206; A47G 27/0212; A47G 27/0218; A47G 27/0225; A47G 27/0237; A47G 27/0281; A47K 3/002; A47L 23/26; A47L 23/266; A63B 21/4037; A63B 6/00

See application file for complete search history.

Primary Examiner — Kevin K Rudzinski

Assistant Examiner — Clare Ann Gannon

(74) *Attorney, Agent, or Firm* — Gordon & Jacobson, P.C.

(57) **CLAIM**

The ornamental design for the rug gripper, as shown and described.

DESCRIPTION

(56) **References Cited**

U.S. PATENT DOCUMENTS

- 168,063 A * 9/1875 Taylor B65D 1/225
220/62
- 1,509,047 A 9/1924 Lindhorst
- 1,598,127 A 8/1926 Fleming
- 2,461,054 A * 2/1949 Green G09F 3/12
40/645
- D230,807 S * 3/1974 Penson A01C 1/04
D6/584
- D272,643 S * 2/1984 Stairs, Jr. D23/304
- 4,537,001 A * 8/1985 Uppstrom B44C 3/123
273/157 R

FIG. 1 is a top perspective view of the rug gripper.

FIG. 2 is a left side view of the rug gripper.

FIG. 3 is a right side view of the rug gripper.

FIG. 4 is a front view of the rug gripper.

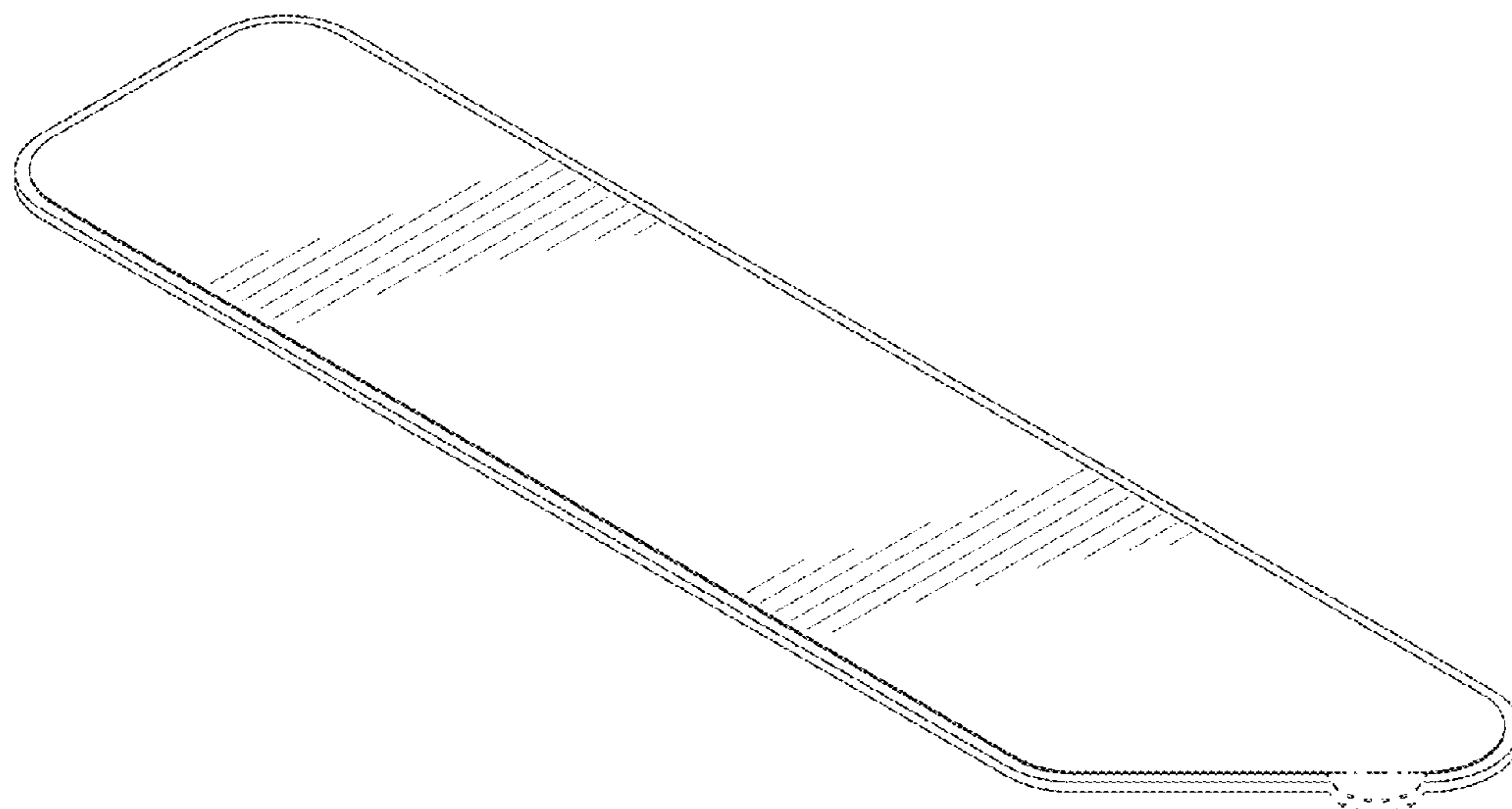
FIG. 5 is a rear view of the rug gripper.

FIG. 6 is a top view of the rug gripper; and,

FIG. 7 is a bottom view of the rug gripper.

The broken lines depict portions of the article that form no part of the claimed design. The dot-dash lines depict the boundary of the claim and form no part of the claimed design.

1 Claim, 4 Drawing Sheets



(56)

References Cited

U.S. PATENT DOCUMENTS

D638,526 S * 5/2011 Newman B44C 3/123
D23/303
D706,551 S 6/2014 Lawrence et al.
D745,092 S * 12/2015 Knapp A47C 31/007
D20/40
10,357,122 B2 7/2019 Wendling
10,357,123 B2 7/2019 Wendling
10,368,675 B2 8/2019 Wendling
D864,609 S 10/2019 Lagun et al.
D873,050 S * 1/2020 Wendling A01C 1/04
D6/592
D895,849 S * 9/2020 Matt G09F 3/12
D25/138
D917,204 S * 4/2021 Wendling D6/587
D917,925 S * 5/2021 Wendling D6/582
D926,493 S * 8/2021 Lagun D6/582
D932,799 S * 10/2021 Wendling D6/582
2008/0052827 A1 3/2008 DelIntinis
2012/0073081 A1 3/2012 Crenshaw, Sr.
2012/0164202 A1* 6/2012 Harris A47C 31/007
424/404
2012/0285613 A1 11/2012 Bongiovanni et al.

OTHER PUBLICATIONS

Sollifa Rug Grippers. Sold on amazon.com. Dec. 22, 2019. Accessed on Jun. 1, 2021. (Year: 2019).*
U.S. Pat. No. 882,853 issued Mar. 24, 1908, P.B. Ammerman.

* cited by examiner

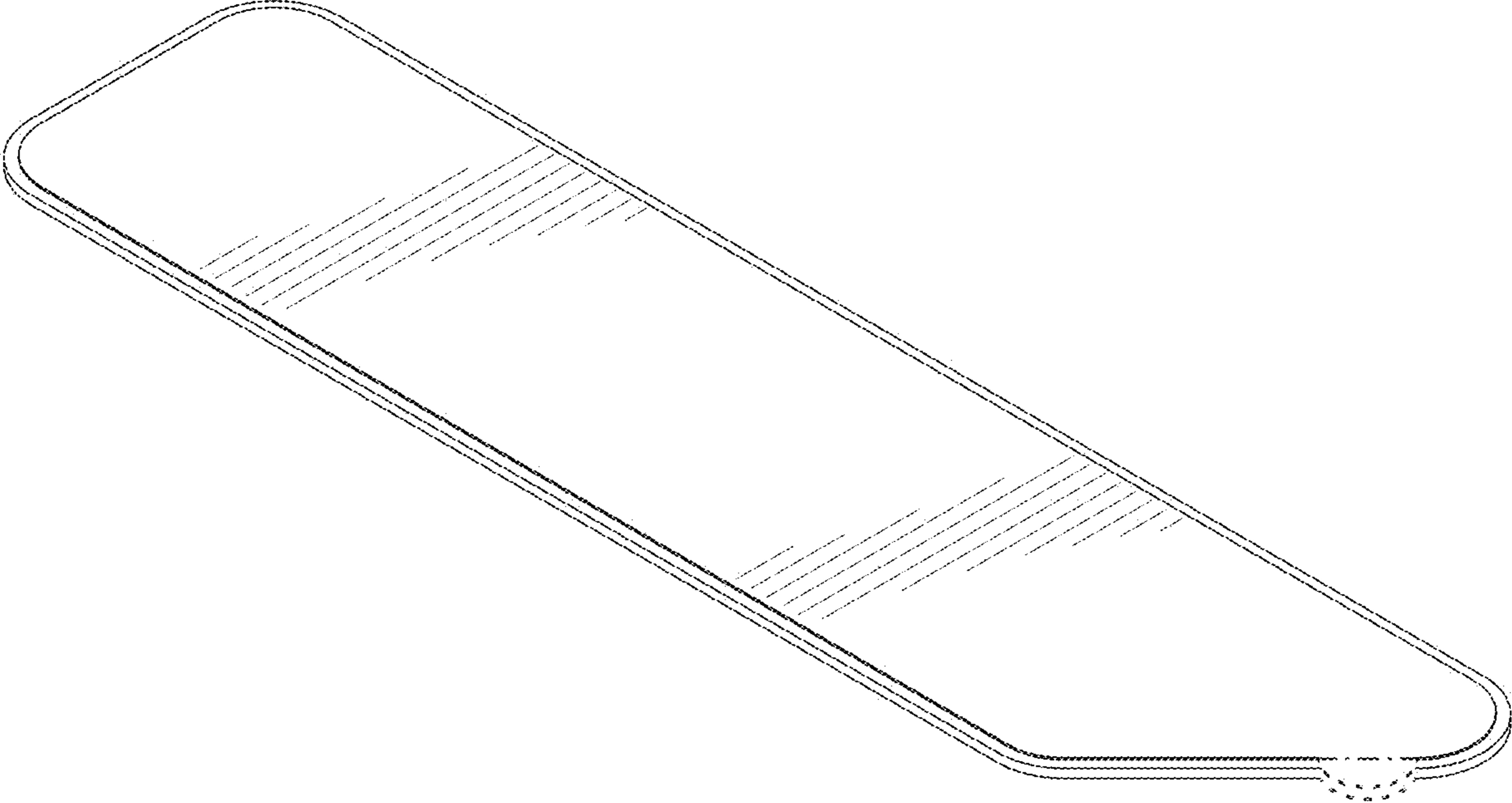


FIG. 1



FIG. 2

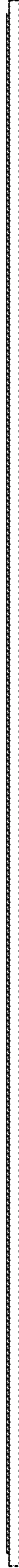


FIG. 3

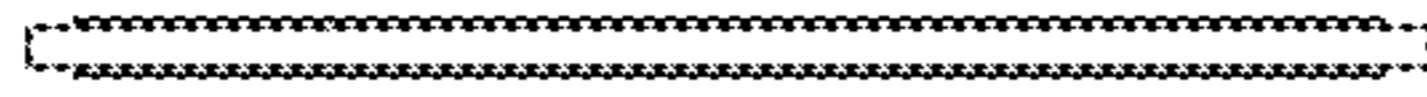


FIG. 4

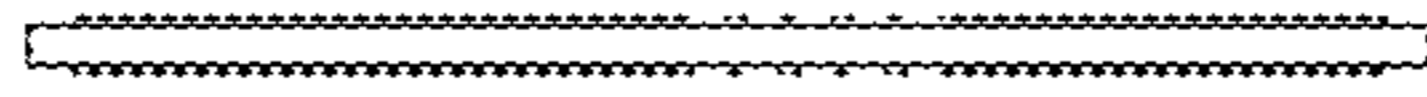


FIG. 5

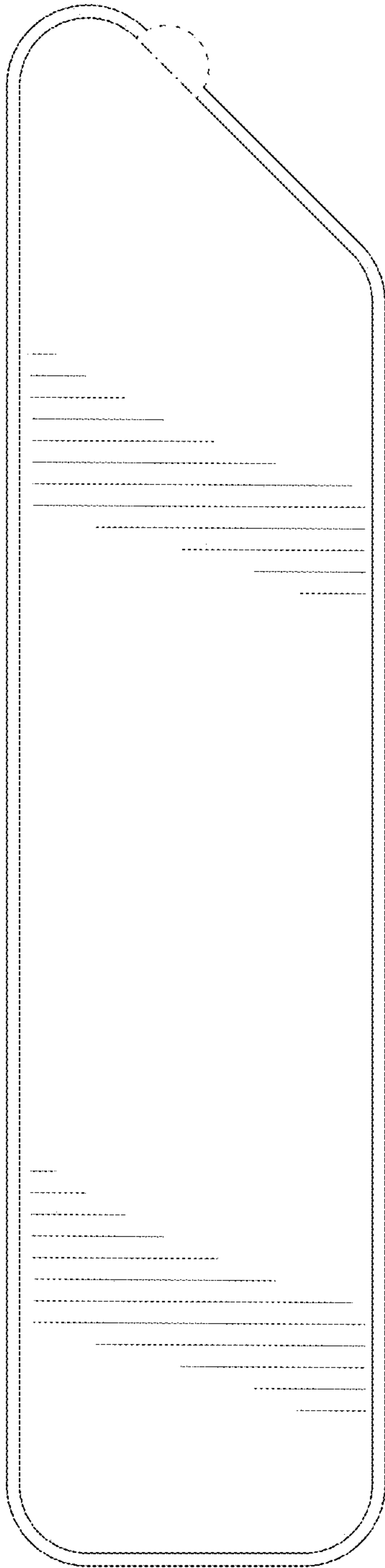


FIG. 6

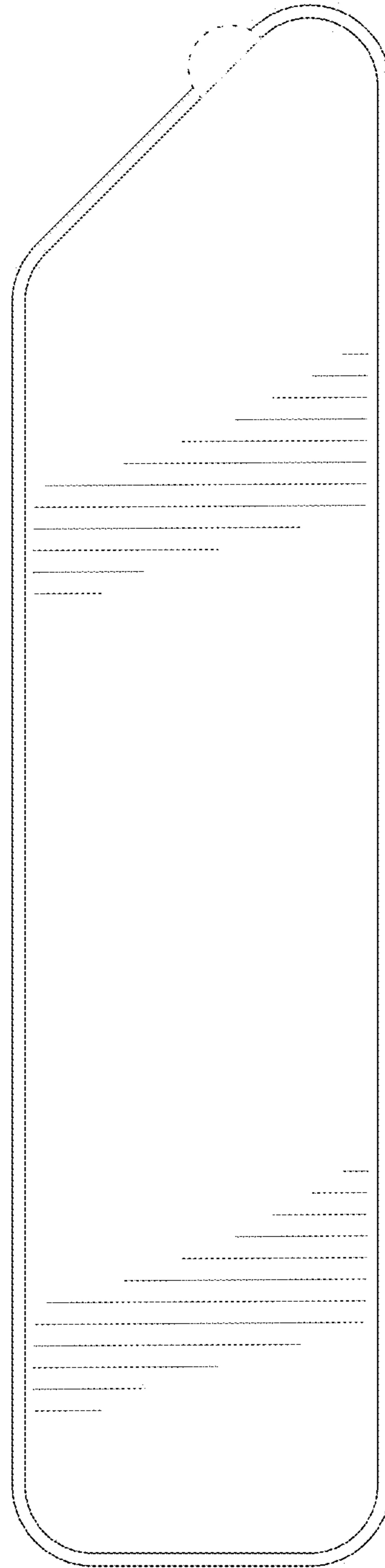


FIG. 7