



US00D955139S

(12) **United States Design Patent**  
**Lin**

(10) **Patent No.:** **US D955,139 S**  
(45) **Date of Patent:** **\*\* Jun. 21, 2022**

- (54) **WALL STORAGE SHELF**
- (71) Applicant: **SHENZHEN SHENMI NETWORK TECHNOLOGY CO., LTD.**, Shenzhen (CN)
- (72) Inventor: **Zewei Lin**, Shenzhen (CN)
- (73) Assignee: **SHENZHEN SHENMI NETWORK TECHNOLOGY CO., LTD.**, Shenzhen (CN)
- (\*\*) Term: **15 Years**
- (21) Appl. No.: **29/775,929**
- (22) Filed: **Mar. 26, 2021**
- (51) **LOC (13) Cl.** ..... **06-04**
- (52) **U.S. Cl.**  
USPC ..... **D6/574**
- (58) **Field of Classification Search**  
USPC ..... D6/574, 512, 524, 552, 553, 572, 573, D6/569, 672, 673, 675, 675.1, 705, 560; D3/304-315, 319; 108/28-29, 152; 211/13.1, 42, 71.01, 86.01, 87.01, 88.01, 211/88.03, 90.01, 90.03, 126.1, 133.5, 211/134, 153, 182; 248/205.3, 235, 243, 248/247, 249, 250  
CPC ..... A47B 43/00; A47B 43/04; A47B 47/0066; A47B 47/04; A47B 63/00; A47B 69/00; A47B 71/00; B65D 51/00  
See application file for complete search history.

(56) **References Cited**

**U.S. PATENT DOCUMENTS**

D175,516 S	*	9/1955	Lively	.....	D6/574
D266,808 S	*	11/1982	Thompson	.....	D6/525
D274,486 S	*	7/1984	Thompson	.....	D6/540
D476,837 S	*	7/2003	Hoernig	.....	D6/549
D476,838 S	*	7/2003	Hoernig	.....	D6/549
D477,732 S	*	7/2003	Hoernig	.....	D6/549

D477,742 S	*	7/2003	Hoernig	.....	D6/574
D492,866 S	*	7/2004	Graves	.....	D6/524
D493,313 S	*	7/2004	Hoernig	.....	D6/524
D493,316 S	*	7/2004	Hoernig	.....	D6/524
D495,180 S	*	8/2004	Painter	.....	D6/549
D501,622 S	*	2/2005	Hoernig	.....	D6/574
D514,363 S	*	2/2006	Hoernig	.....	D6/574
D553,408 S	*	10/2007	Kubota	.....	D6/553
D557,964 S	*	12/2007	Hoernig	.....	D6/549
D559,602 S	*	1/2008	Bickler	.....	D6/549
D646,766 S	*	10/2011	Gilbert	.....	D23/304
D671,778 S	*	12/2012	Kwok	.....	D6/549
D671,781 S	*	12/2012	Kwok	.....	D6/574
D711,155 S	*	8/2014	O'Brien	.....	D6/550
D770,200 S	*	11/2016	Garland	.....	D6/574
D916,524 S	*	4/2021	Li	.....	D6/574
D925,946 S	*	7/2021	Chen	.....	D6/574

(Continued)

**OTHER PUBLICATIONS**

Amazon.com, Bathroom Shelf with Towel Bar Set of 2, Jan. 21, 2020, <https://www.amazon.com/dp/B08JBPLLR6/> (Year: 2020).\*

*Primary Examiner* — Nathan M Johnston

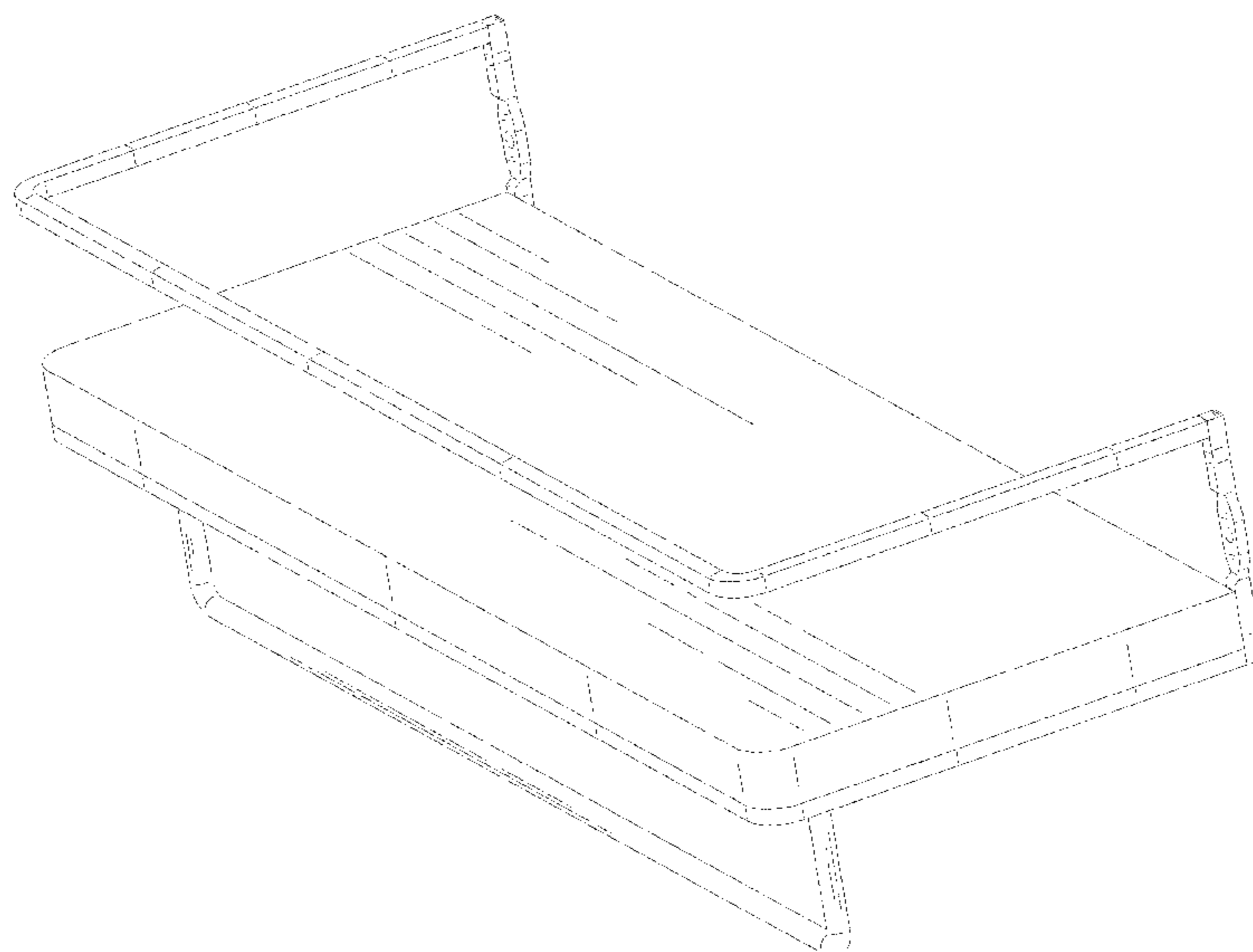
(57) **CLAIM**

The ornamental design for a wall storage shelf, as shown and described.

**DESCRIPTION**

FIG. 1 is a perspective view of a wall storage shelf showing my new design;  
 FIG. 2 is another perspective view thereof;  
 FIG. 3 is a front elevational view thereof;  
 FIG. 4 is a rear elevational view thereof;  
 FIG. 5 is a left side elevational view thereof;  
 FIG. 6 is a right side elevational view thereof;  
 FIG. 7 is a top plan view thereof; and,  
 FIG. 8 is a bottom plan view thereof.  
 The broken lines in the drawings depict portions of the wall storage shelf that form no part of the claimed design.

**1 Claim, 8 Drawing Sheets**



(56)

**References Cited**

U.S. PATENT DOCUMENTS

D932,210 S \* 10/2021 Hong ..... D6/574  
D935,801 S \* 11/2021 Wang ..... D6/549  
D945,791 S \* 3/2022 Peng ..... D6/574

\* cited by examiner

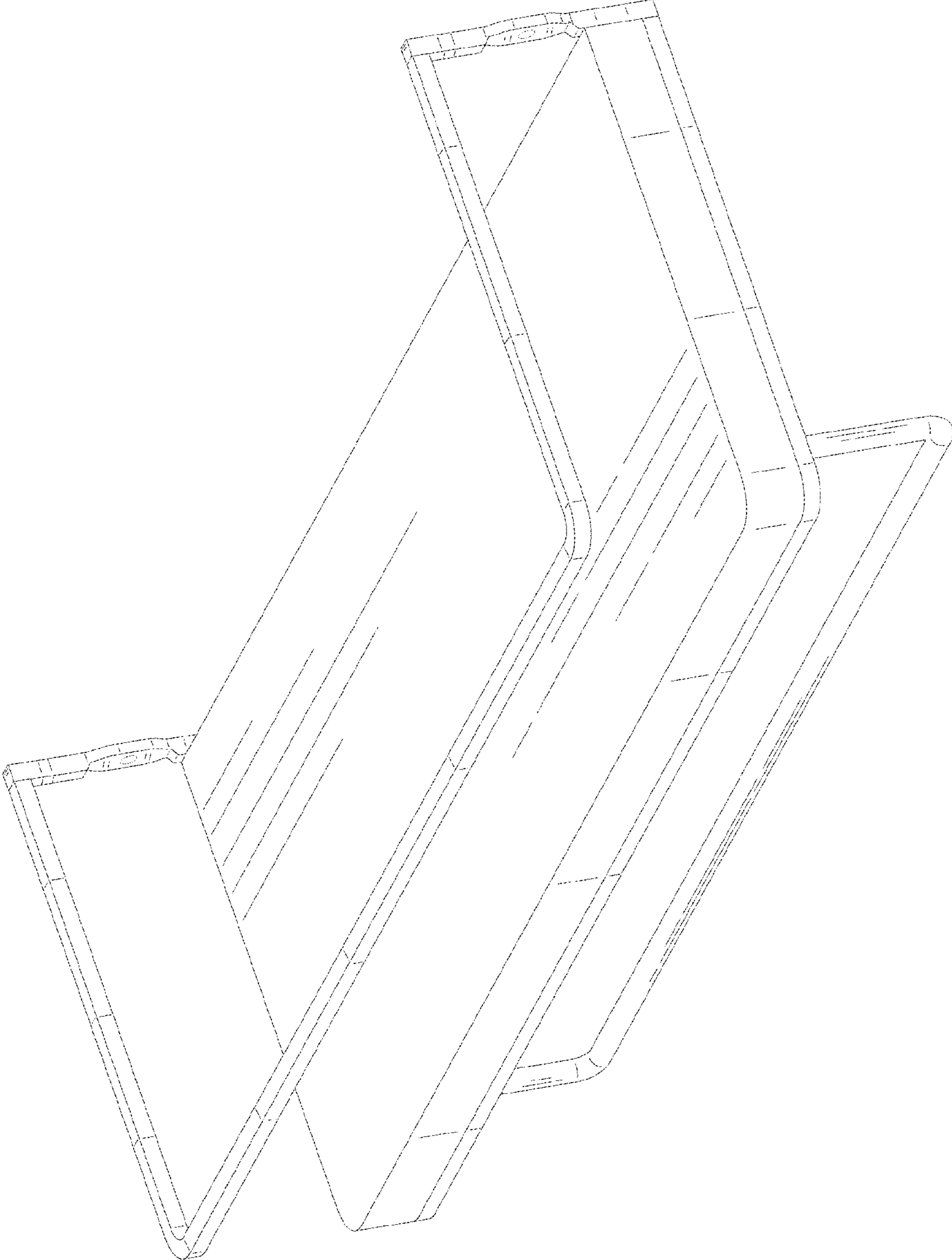


FIG. 1

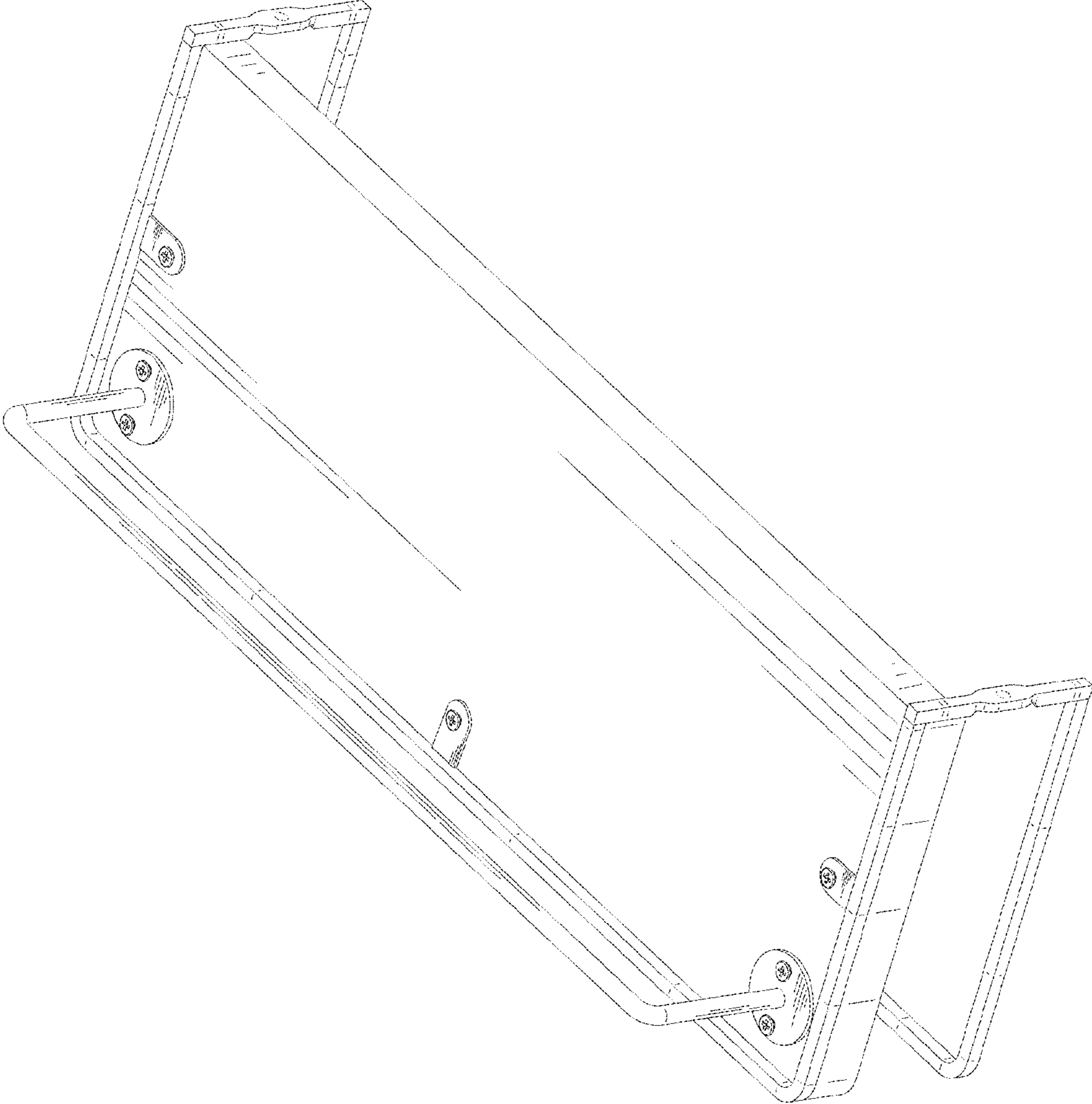


FIG. 2

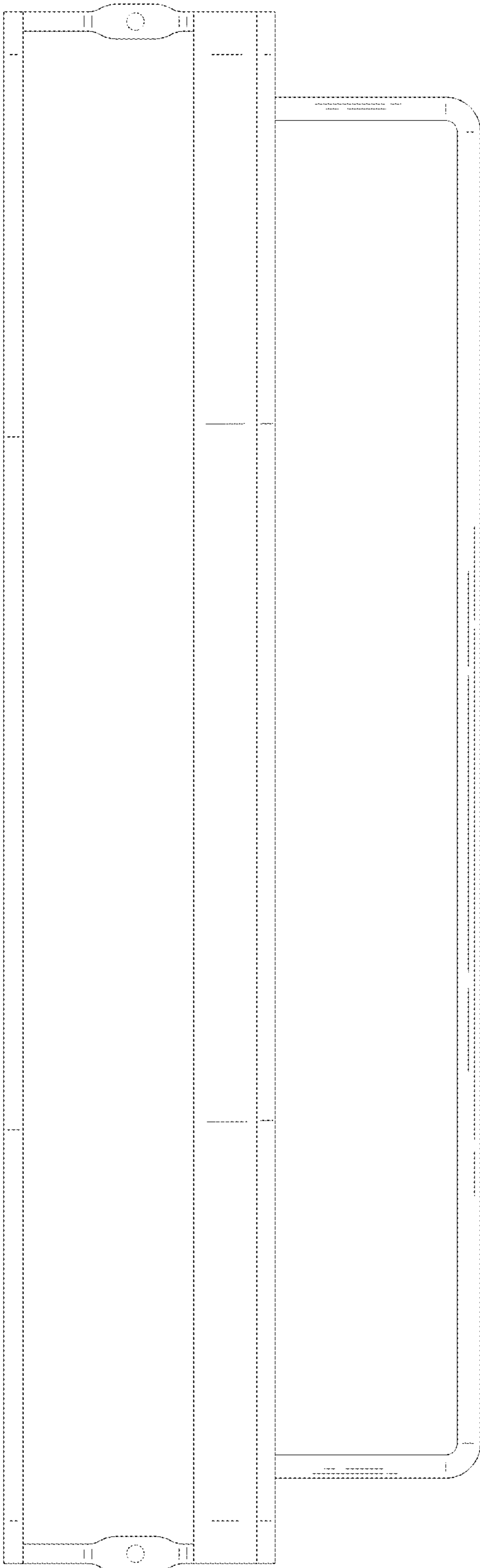


FIG. 3

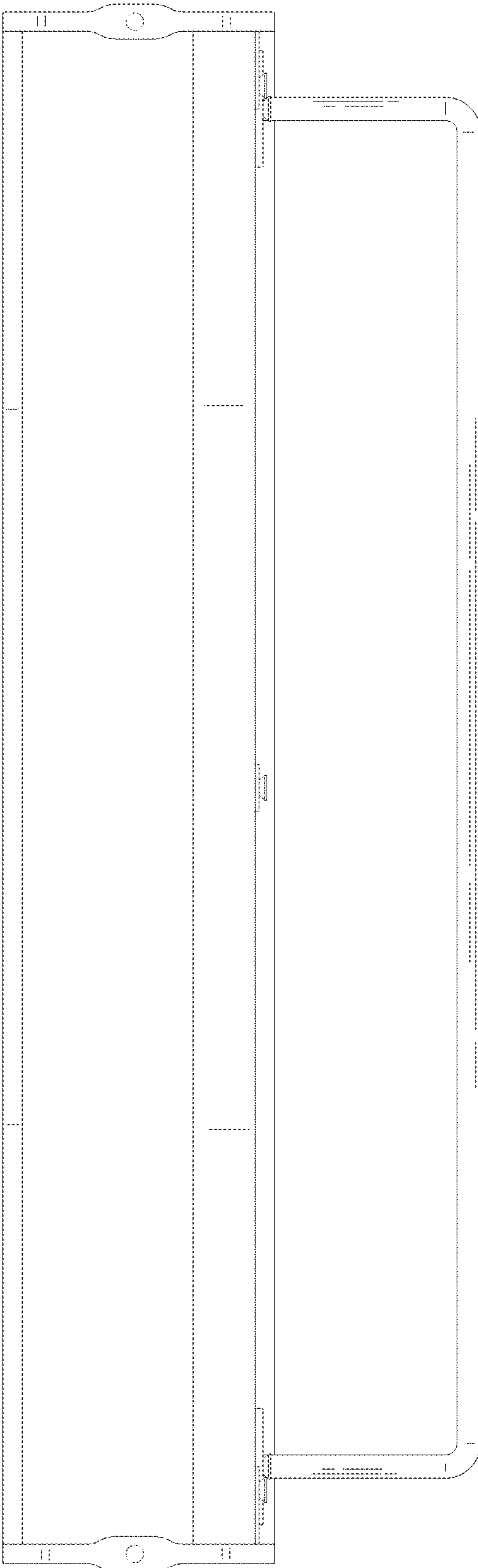


FIG. 4



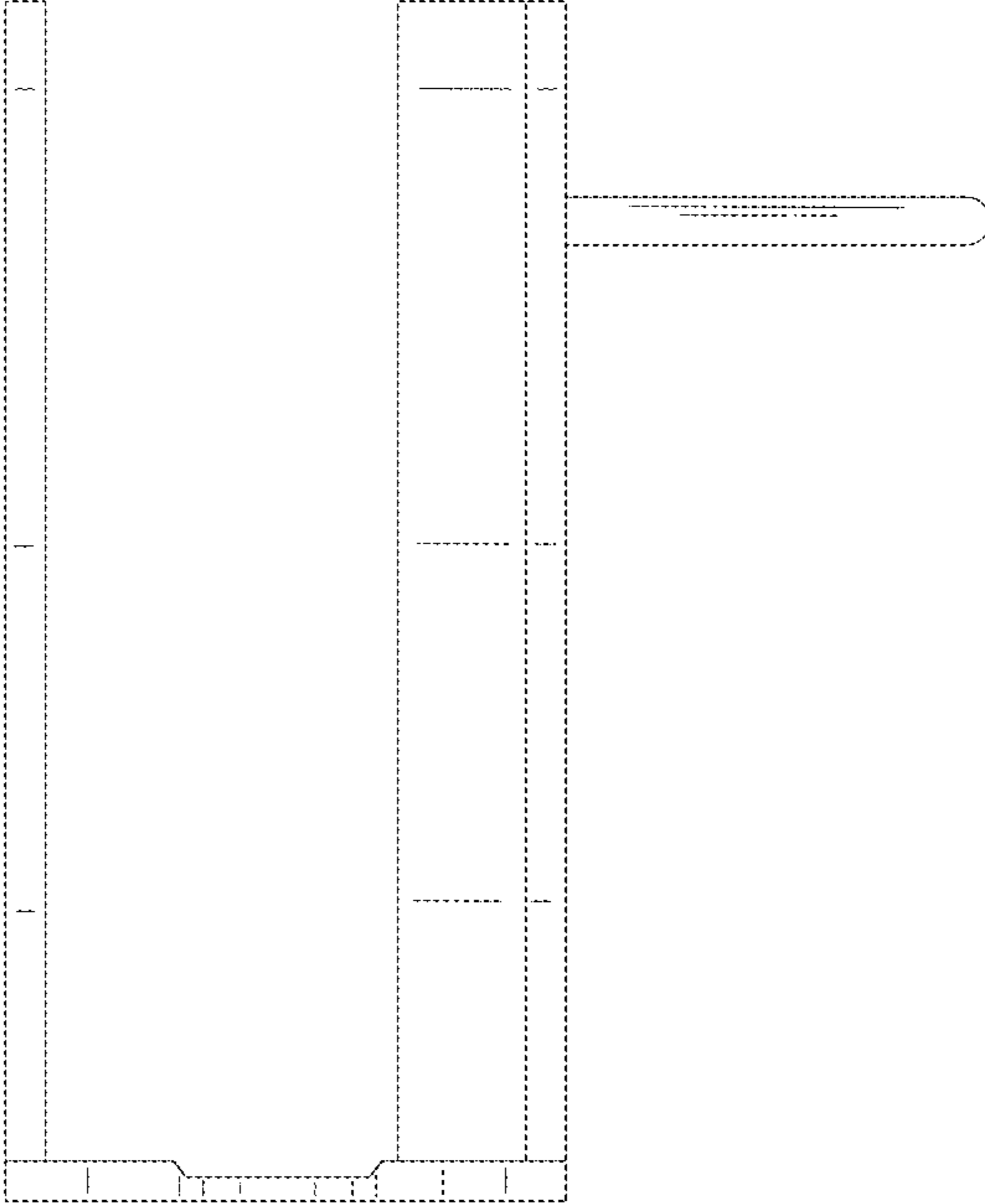


FIG. 5

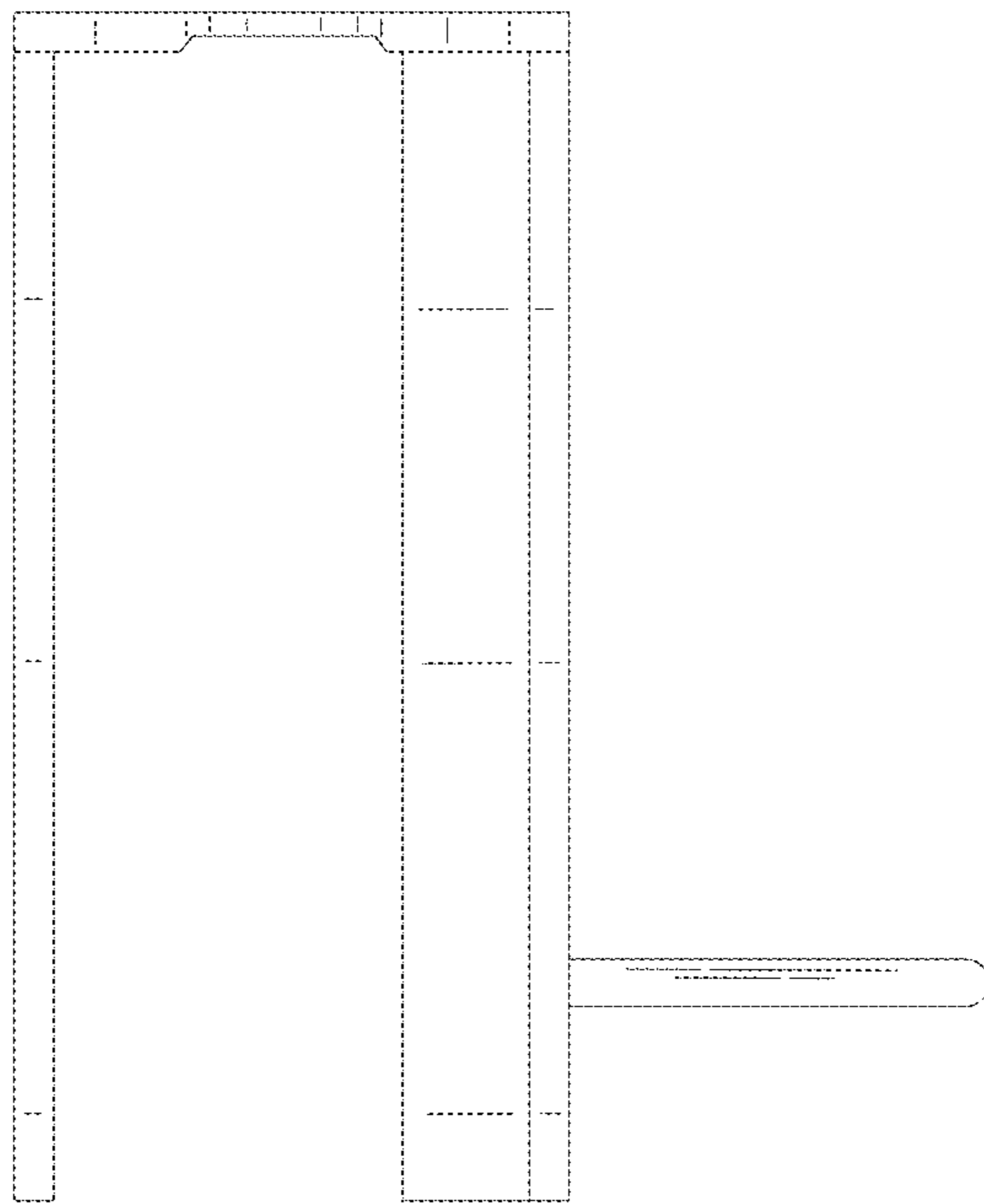


FIG. 6



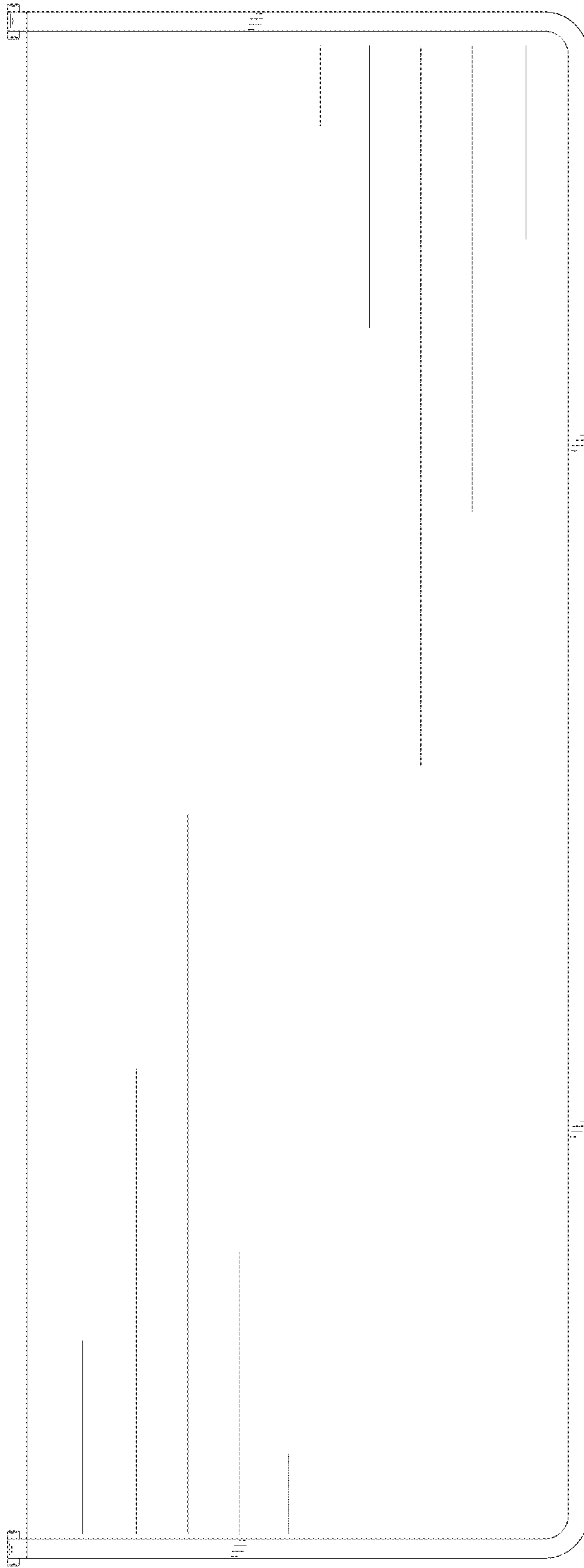


FIG. 7

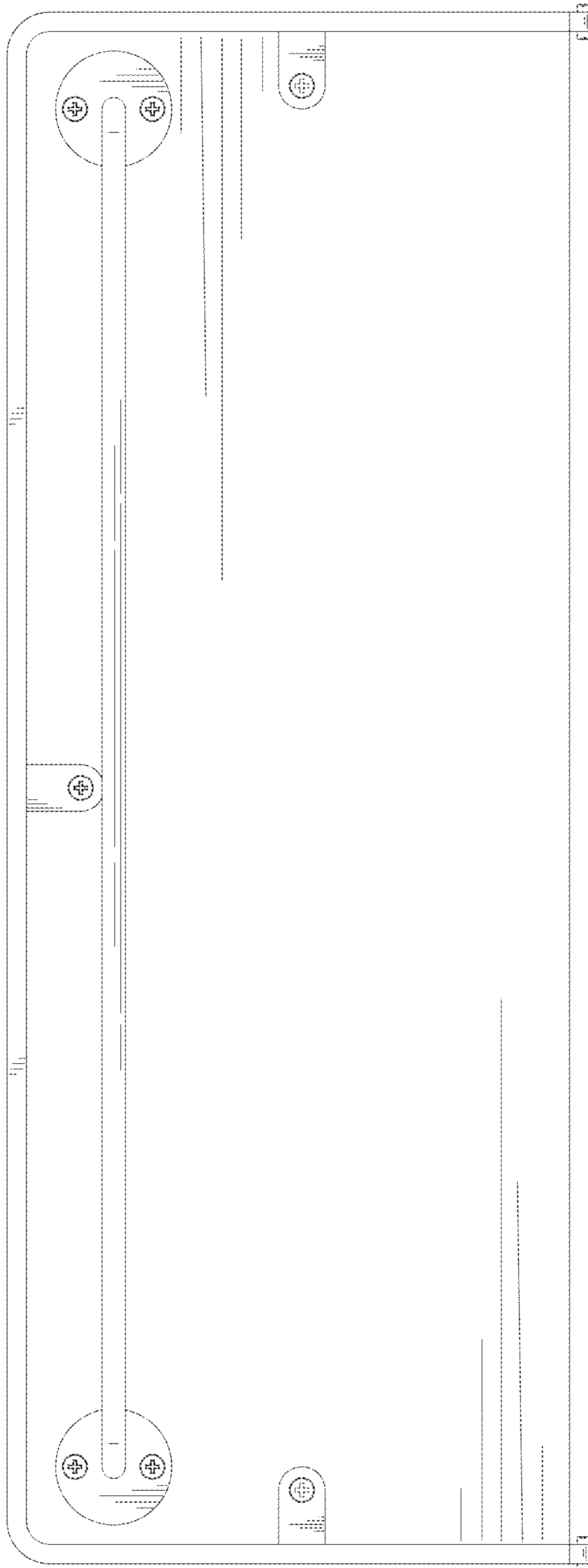


FIG. 8