



US00D955138S

(12) **United States Design Patent**
Lin

(10) **Patent No.:** **US D955,138 S**

(45) **Date of Patent:** **** Jun. 21, 2022**

(54) **TRAY SHELF**

(71) Applicant: **Qinglong Lin**, Fuzhou (CN)

(72) Inventor: **Qinglong Lin**, Fuzhou (CN)

(**) Term: **15 Years**

(21) Appl. No.: **29/740,262**

(22) Filed: **Jul. 2, 2020**

(30) **Foreign Application Priority Data**

Jun. 15, 2020 (CN) 202030304667.7

(51) **LOC (13) Cl.** **06-04**

(52) **U.S. Cl.**

USPC **D6/574**

(58) **Field of Classification Search**

USPC D6/574, 513, 567, 572, 705, 301, 553,
D6/512; D7/550.1, 552.1; D8/349, 355,
D8/354, 373, 380; D12/133; D19/92;
108/137, 147.11, 147.17, 152; 211/126.1;
220/475

CPC ... A47B 96/024; A47B 96/027; A47B 96/025;
A47B 2031/005; A47B 13/14; A47B
13/16; E06C 7/14; E06C 7/16; B25H
3/06; B25H 3/003

See application file for complete search history.

(56) **References Cited**

U.S. PATENT DOCUMENTS

- 178,747 A * 6/1876 Eastman A47B 23/046
108/148
- 613,437 A * 11/1898 Babcock D06F 81/06
108/97
- 1,108,692 A * 8/1914 Burd A47B 13/16
108/97
- 1,512,291 A * 10/1924 McGuire A47B 23/046
108/8
- 1,794,700 A * 3/1931 McCaskey A47K 5/02
248/224.51

- 1,867,738 A * 7/1932 Fraser B42F 7/10
206/815
- D270,506 S * 9/1983 Thorne D7/552.1
- D274,205 S * 6/1984 Kates D6/705
- 4,662,594 A * 5/1987 Dubis E06C 7/143
248/231.21
- D292,352 S * 10/1987 Hampshire D6/555

(Continued)

FOREIGN PATENT DOCUMENTS

- CN 306123324 * 10/2020
- CN 306171721 * 11/2020

(Continued)

OTHER PUBLICATIONS

Bedside Shelf for Bed. Amada (online) 12 pgs. Available Mar. 20, 2020. [Retrieved Apr. 22, 2022] <https://www.amazon.com/Management-Versatile-Assemble-Organizer-Earphone/dp/B08F1XL1N8> (Year: 2020).*

(Continued)

Primary Examiner — Marie D. Fast Horse

Assistant Examiner — Jennifer Sierra Yosinski

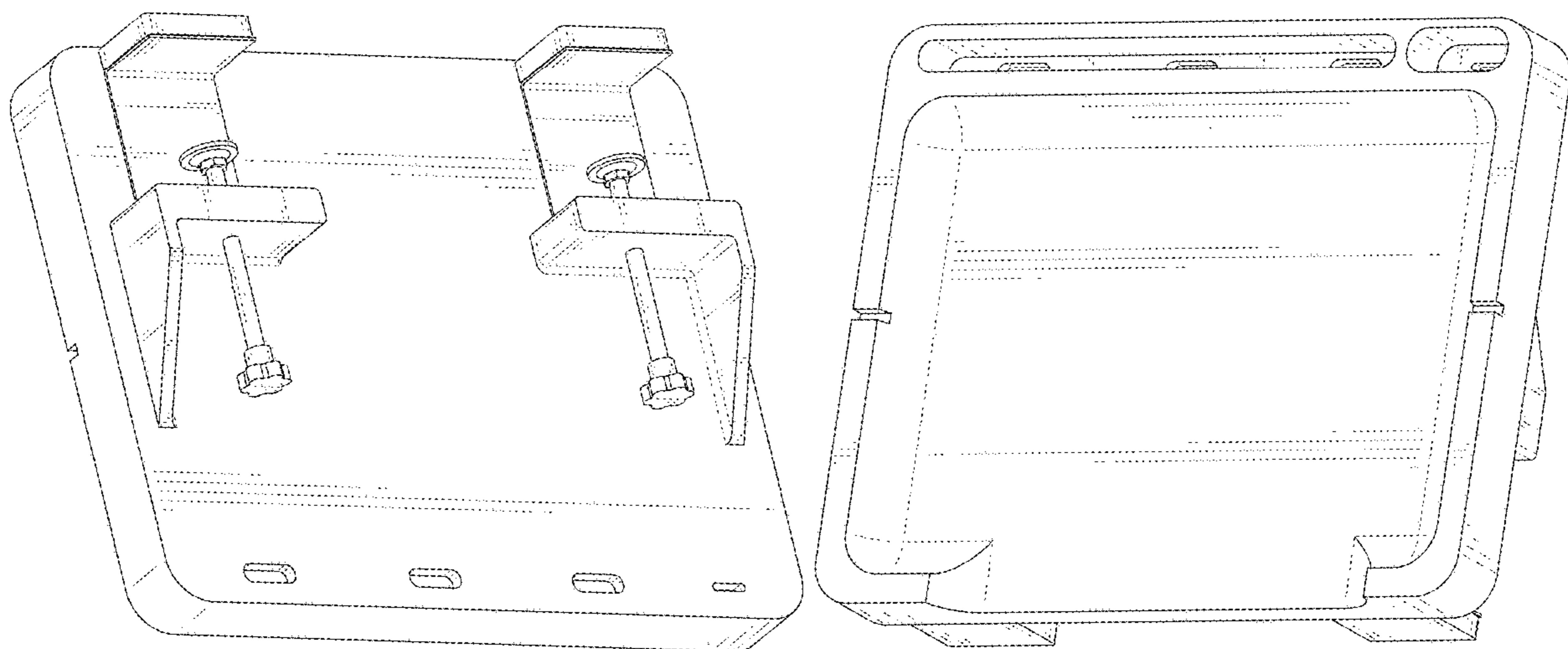
(57) **CLAIM**

The ornamental design for a tray shelf, as shown and described.

DESCRIPTION

FIG. 1 is a perspective view of a tray shelf showing my new design;
FIG. 2 is another perspective view thereof;
FIG. 3 is a front elevational view thereof;
FIG. 4 is a rear elevational view thereof;
FIG. 5 is a left side elevational view thereof;
FIG. 6 is a right side elevational view thereof;
FIG. 7 is a top plan view thereof; and,
FIG. 8 is a bottom plan view thereof.

1 Claim, 8 Drawing Sheets



(56)

References Cited

U.S. PATENT DOCUMENTS

4,836,403 A * 6/1989 Blackmon A47B 23/02
211/75
5,052,581 A * 10/1991 Christ E06C 7/14
220/570
5,070,795 A * 12/1991 Redlin A47B 13/16
108/26
5,078,281 A * 1/1992 Johnson B25H 3/06
211/DIG. 1
5,104,080 A * 4/1992 Berger A47J 37/0786
211/90.01
D337,907 S * 8/1993 Page D14/457
D337,934 S * 8/1993 Young D8/355
D353,123 S * 12/1994 Korona D7/549
D356,532 S * 3/1995 Butzman D6/406.1
D377,275 S * 1/1997 Diletto D6/513
6,148,958 A * 11/2000 Ahl E06C 7/14
248/210
6,910,429 B1 * 6/2005 Matay B25H 3/06
108/44
D673,798 S * 1/2013 Rushlow D6/513
D718,981 S * 12/2014 Katterheinrich D7/550.1
9,714,542 B1 * 7/2017 Harcz E06C 7/14
D860,025 S * 9/2019 Illouz D10/106.2
D942,214 S * 2/2022 Hamel D7/406
2003/0015447 A1 * 1/2003 Huang B25H 3/023
211/70.6

2003/0019827 A1 * 1/2003 Wing F25D 25/02
211/90.02
2004/0083931 A1 * 5/2004 Gawronski A47B 23/025
108/49
2004/0217241 A1 * 11/2004 Searcy E06C 7/14
248/210
2004/0238278 A1 * 12/2004 Gibson E06C 1/393
182/129
2014/0110977 A1 * 4/2014 Madrigal A47C 7/70
297/173

FOREIGN PATENT DOCUMENTS

EM 008212906-0001 * 10/2020
EM 008397764-0001 * 1/2021
GB 6099019 * 8/2020
GB 6112842 * 1/2021

OTHER PUBLICATIONS

Bamboo Bedside Caddy. Kagura (online) 11 pgs. Available Nov. 2, 2017. [Retrieved Apr. 22, 2022] <https://www.amazon.com/KAGURA-BAMBOO-Contemporary-Minimalist-Attachable/dp/B077421CS1> (Year: 2017).*
Bedside Shelf. Bedshelfie (online) 14 pgs. Available Jun. 1, 2017. [Retrieved Apr. 22, 2022] <https://www.amazon.com/BedShelfie-Original-Bedside-Shelf-Business/dp/B06XCK982P> (Year: 2017).*

* cited by examiner

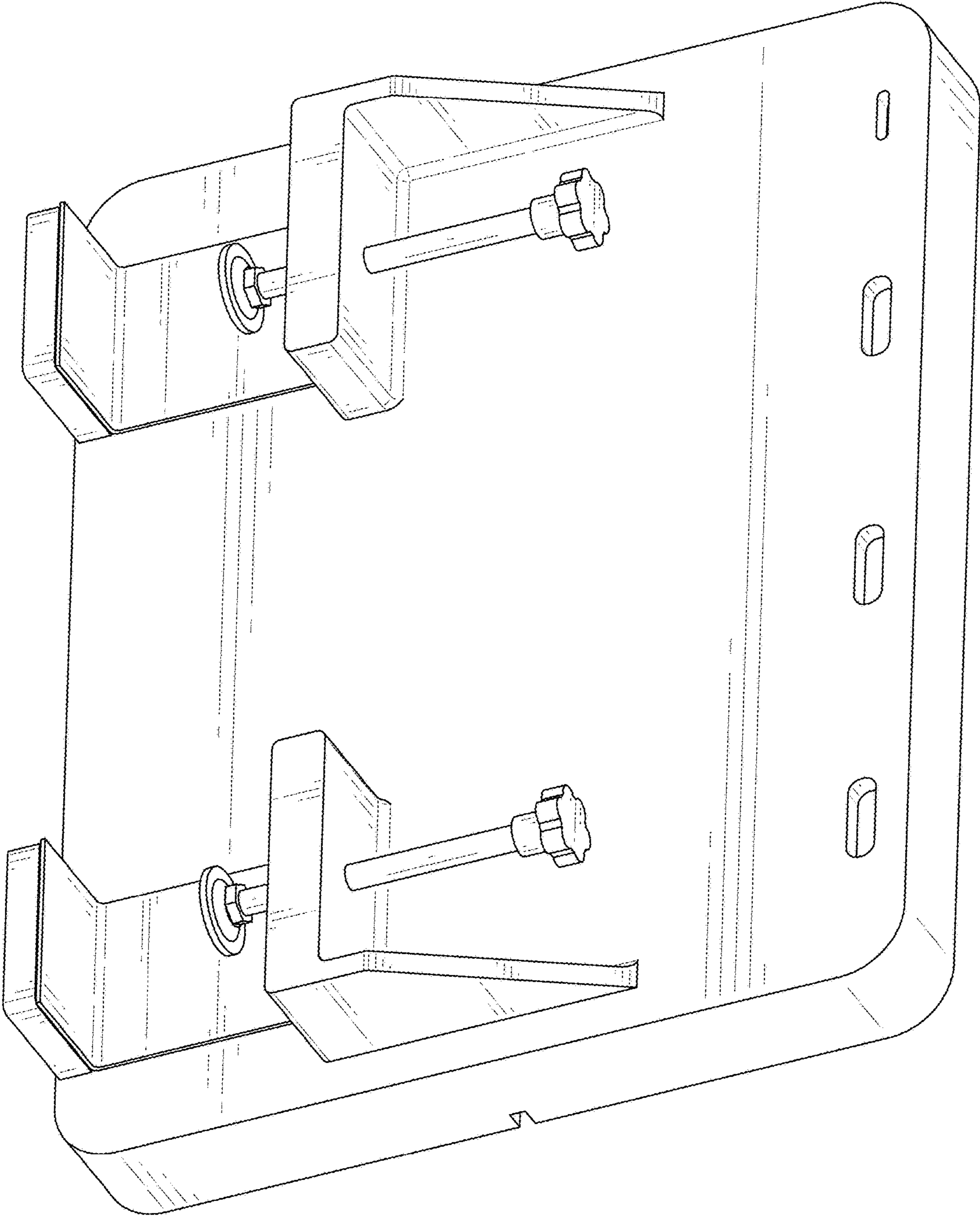


FIG. 1

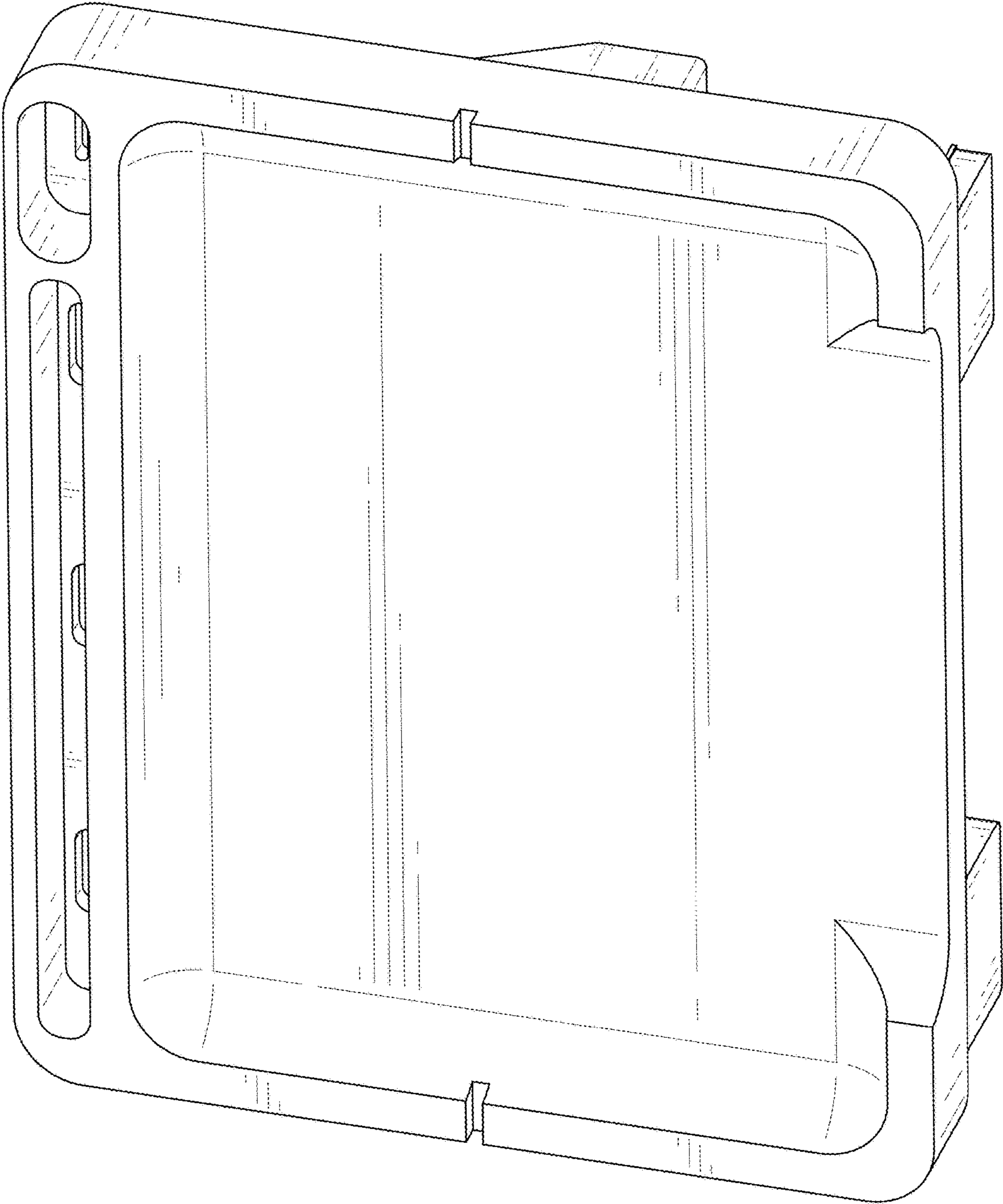


FIG. 2

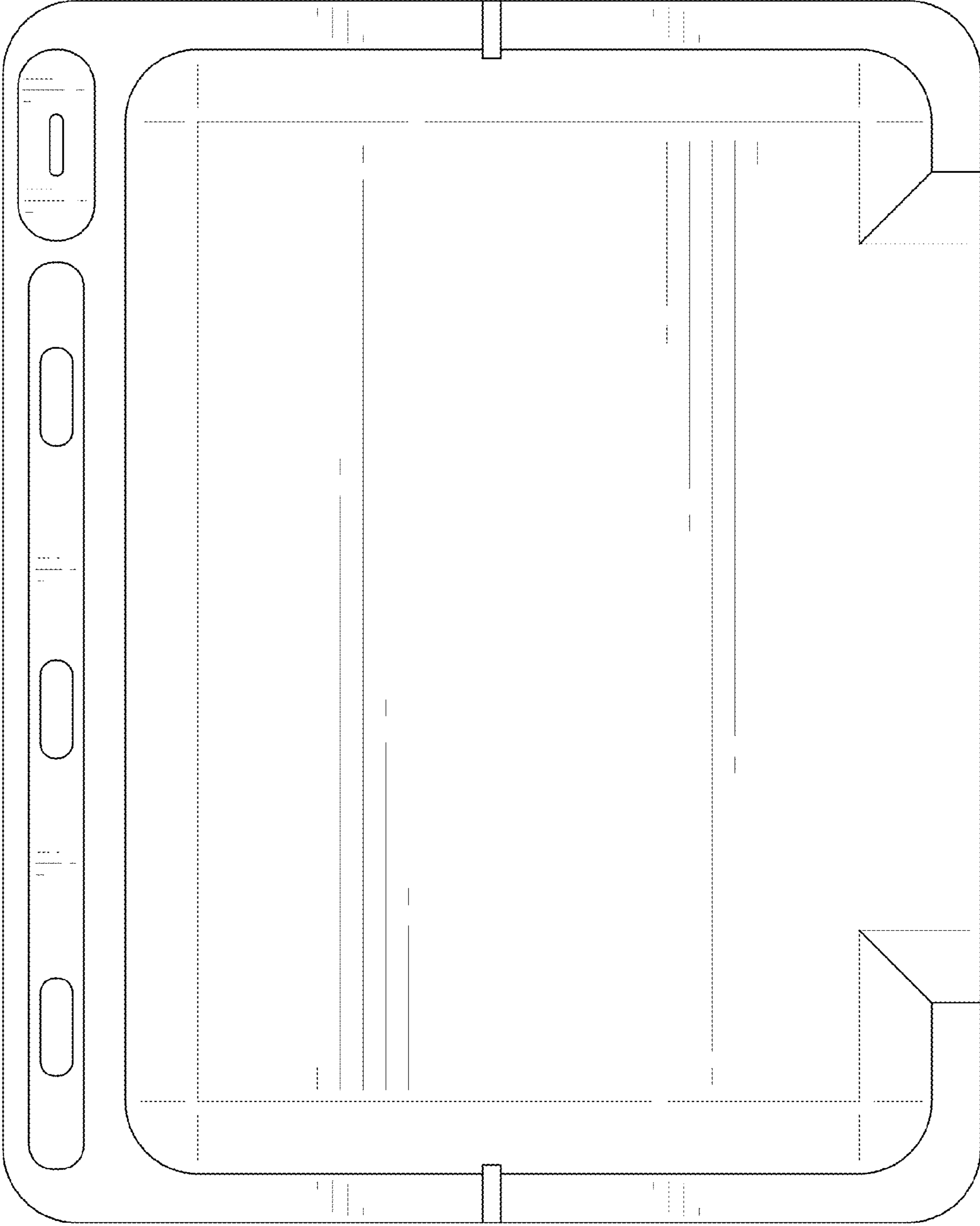


FIG. 3

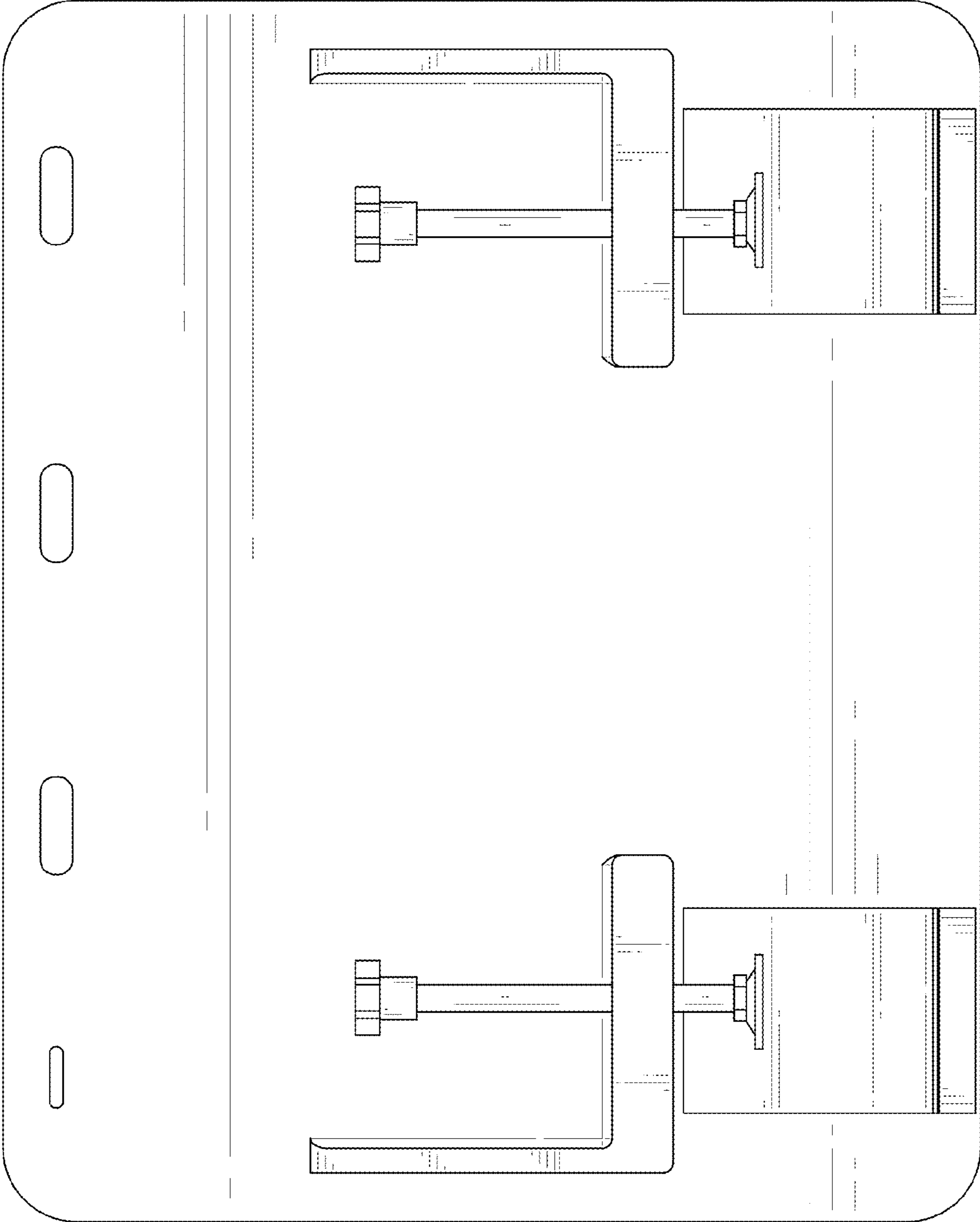


FIG. 4

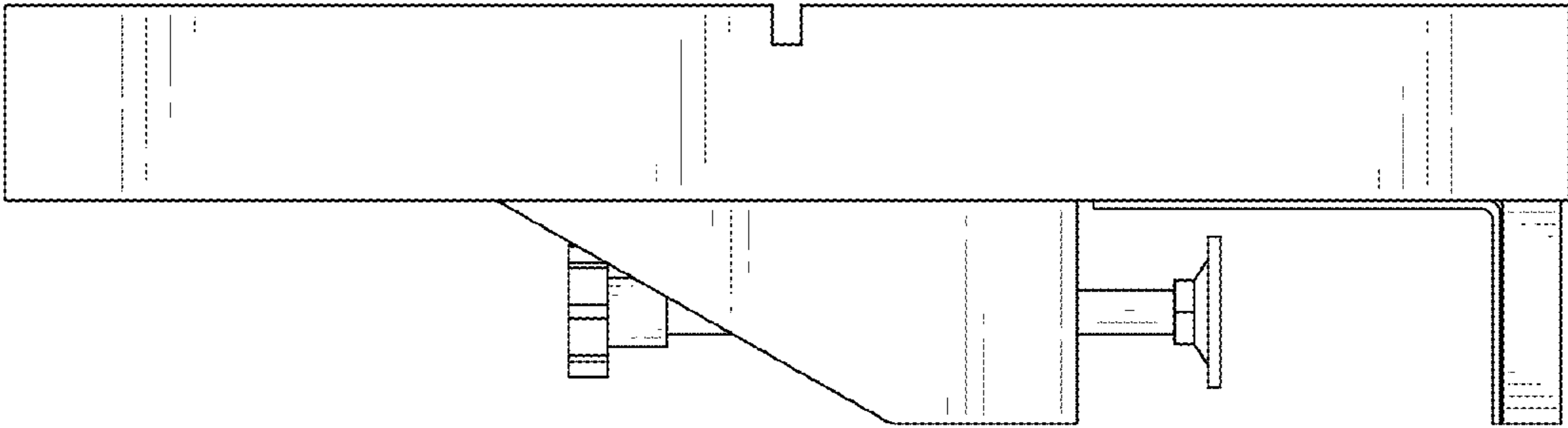


FIG. 5

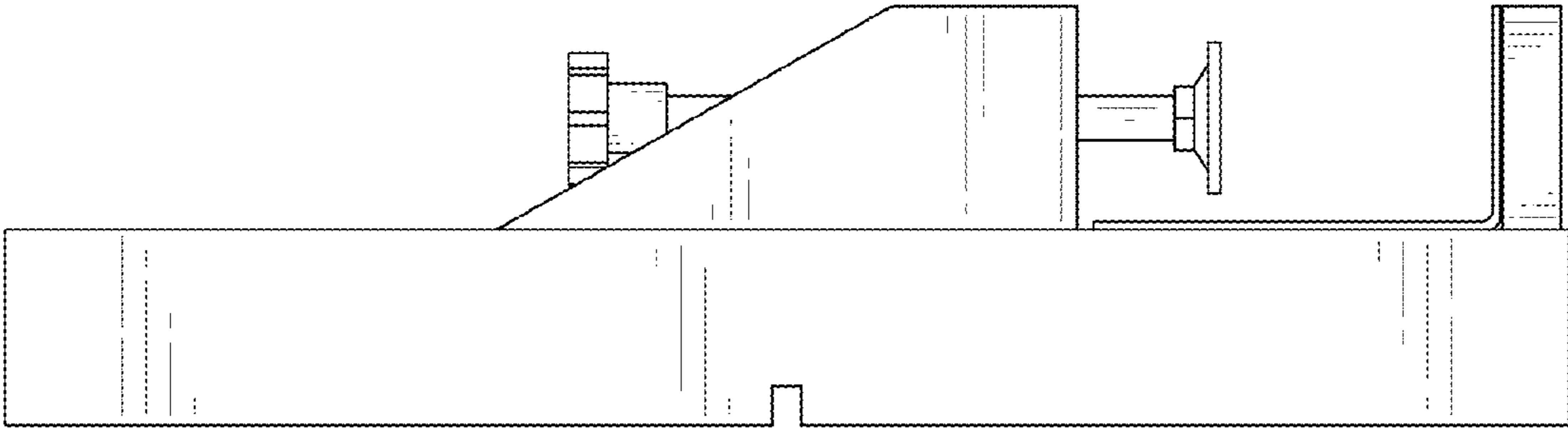


FIG. 6

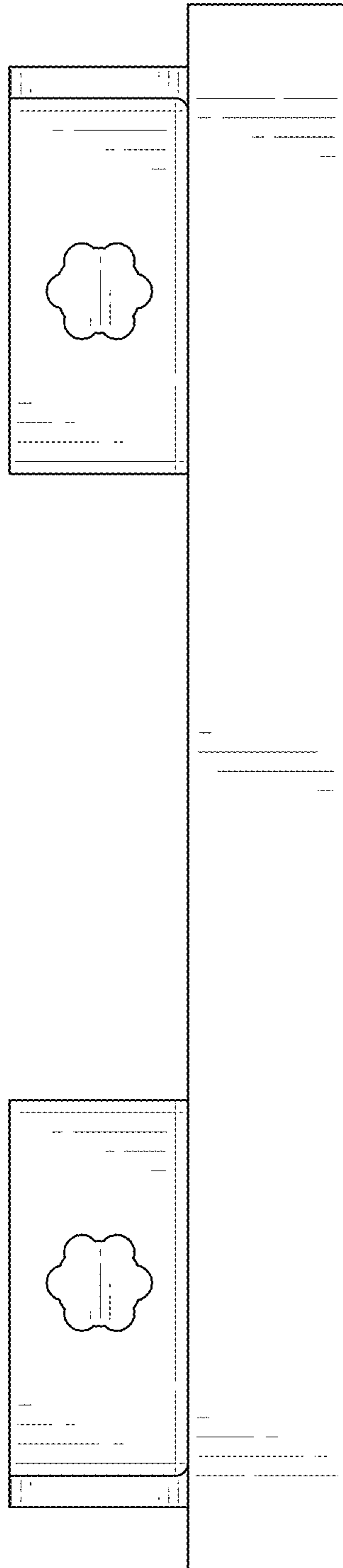


FIG. 7

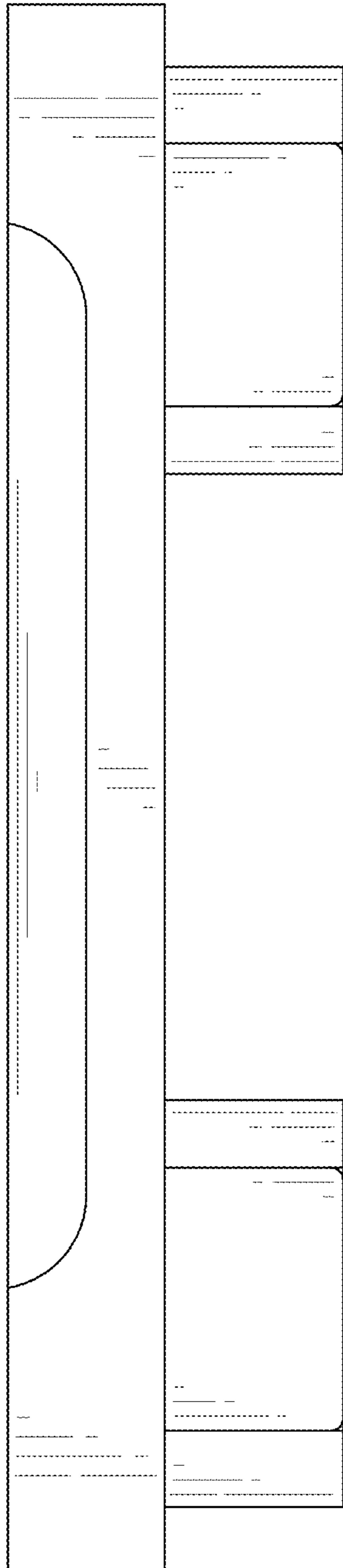


FIG. 8