



US00D955137S

(12) **United States Design Patent**
Worden, IV et al.

(10) **Patent No.:** **US D955,137 S**
(45) **Date of Patent:** **** Jun. 21, 2022**

(54) **WALL MOUNTED ORGANIZER**
(71) Applicant: **Helen of Troy Limited**, St. Michael (BB)
(72) Inventors: **Morris Elijah Worden, IV**, New York, NY (US); **William Jack Merrill**, Brooklyn, NY (US)

D474,933 S * 5/2003 Kaposi D6/569
D553,960 S * 10/2007 Schmidt D8/372
D716,134 S * 10/2014 Pan D8/372
D829,538 S * 10/2018 Kim D8/367
10,258,180 B2 * 4/2019 Malott F16B 45/00
D913,708 S * 3/2021 Theroux D6/320
2010/0084530 A1 * 4/2010 Lai A47G 25/0678
248/304

(73) Assignee: **Helen of Troy Limited**, St. Michael (BB)

(**) Term: **15 Years**

(21) Appl. No.: **29/727,276**

(22) Filed: **Mar. 10, 2020**

(51) **LOC (13) Cl.** **06-04**

(52) **U.S. Cl.**
USPC **D6/569**

(58) **Field of Classification Search**
USPC D6/566, 569, 315-328, 512-514, 552, D6/553, 567, 572; D8/372, 367; 211/13.1, 66, 70.6, 70.7, 86.01, 87.01, 211/106.01, 113; 248/302, 304, 309.1, 248/309.2, 317

CPC A47G 25/14; A47G 25/28; A47G 25/26; A47G 25/30; A47G 25/36; A47G 25/50; A47G 25/442; A47G 25/483; A47G 25/743; A47G 25/4023; A47F 5/0006

See application file for complete search history.

(56) **References Cited**

U.S. PATENT DOCUMENTS

D390,013 S * 2/1998 Ho D6/323
D411,701 S * 6/1999 Klein D6/513

OTHER PUBLICATIONS

<https://www.oxo.com/on-the-wall-expandable-organizer.html>, published prior to the Mar. 10, 2020.

* cited by examiner

Primary Examiner — Lilyana Bekic

Assistant Examiner — Mark Booker

(74) *Attorney, Agent, or Firm* — Rankin, Hill & Clark LLP

(57) **CLAIM**

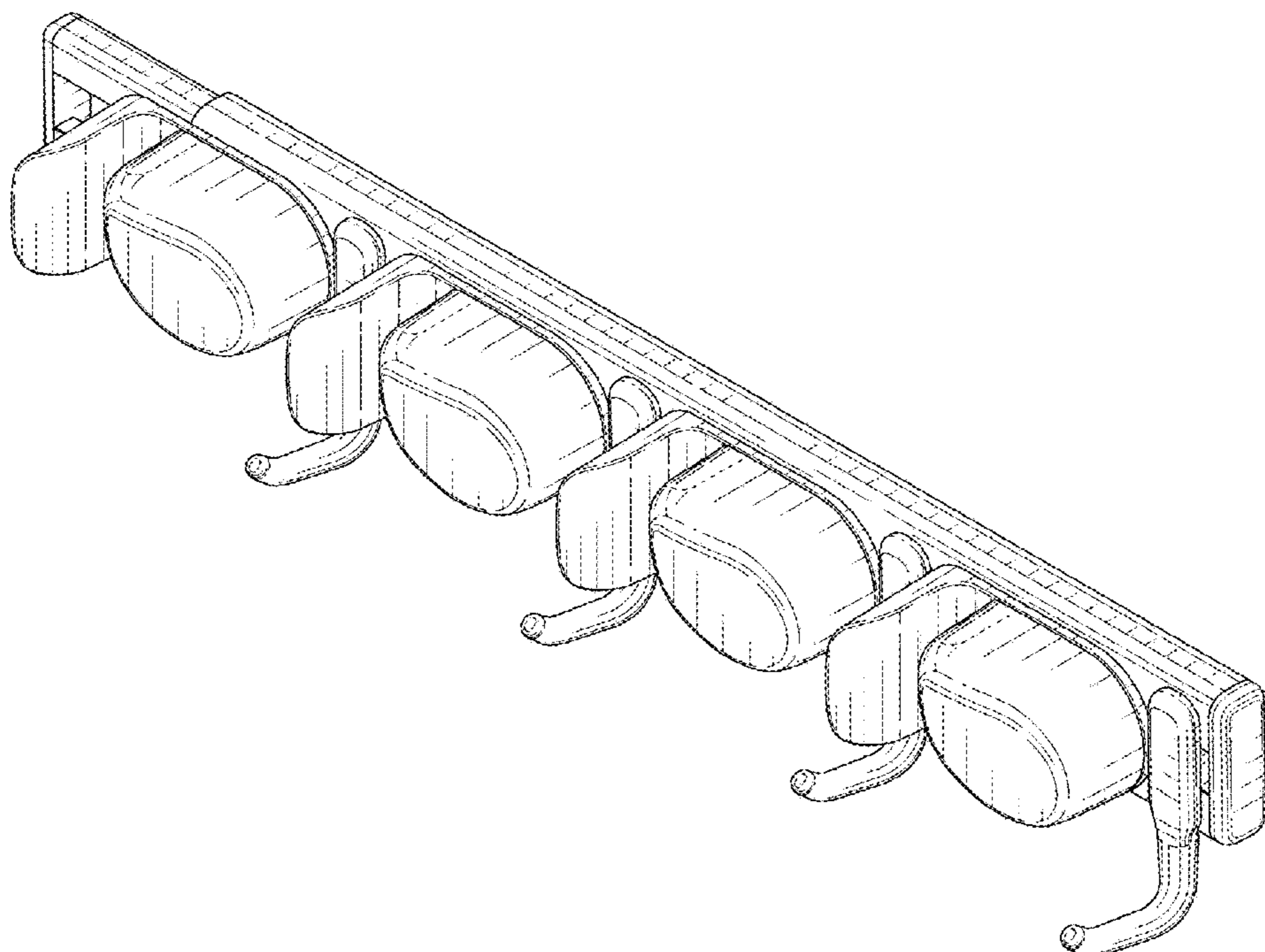
The ornamental design for a wall mounted organizer, as shown and described.

DESCRIPTION

FIG. 1 is a perspective view of a wall mounted organizer; FIG. 2 is a front elevation view thereof; FIG. 3 is a rear elevation view thereof; FIG. 4 is a right side elevation view thereof; FIG. 5 is a left side elevation view thereof; FIG. 6 is a top plan view thereof; and, FIG. 7 is a bottom plan view thereof.

The broken lines in the drawings depict portions of the wall mounted organizer that form no part of the claimed design.

1 Claim, 4 Drawing Sheets



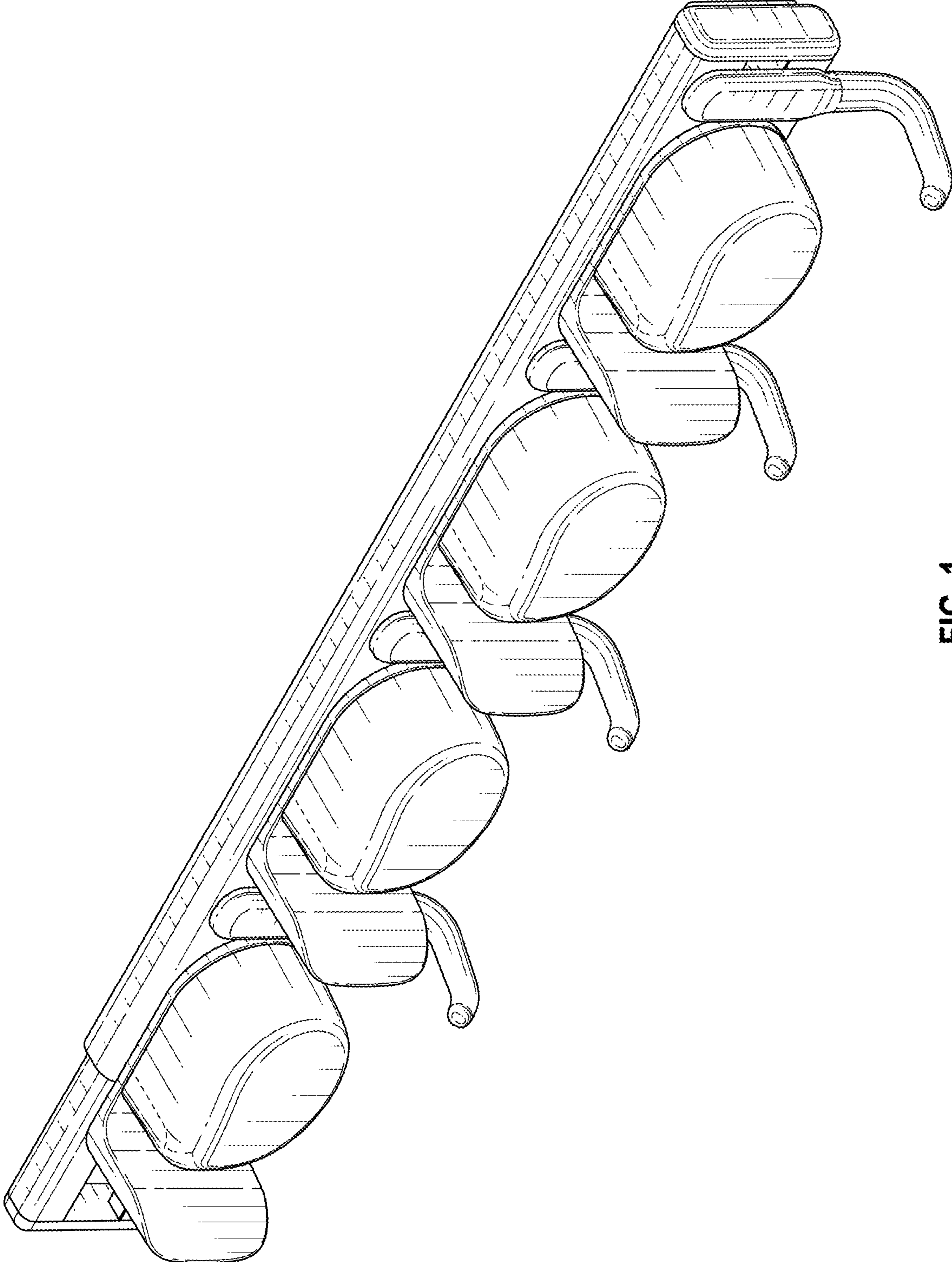


FIG. 1

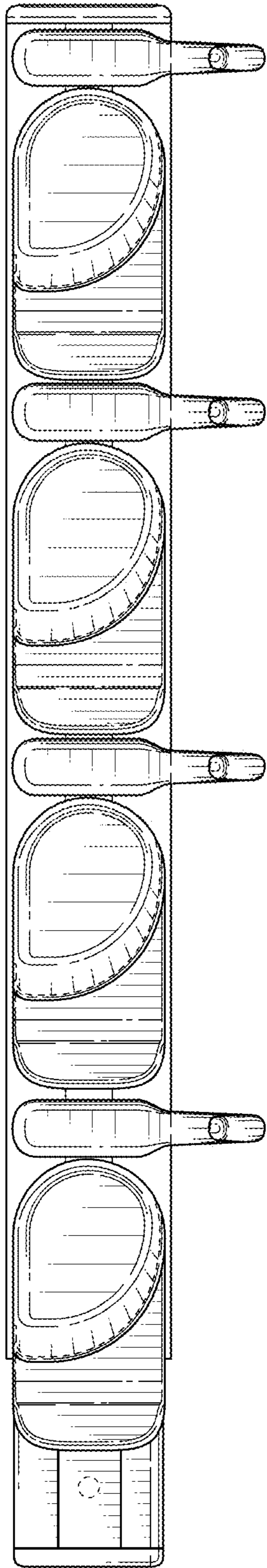


FIG. 2

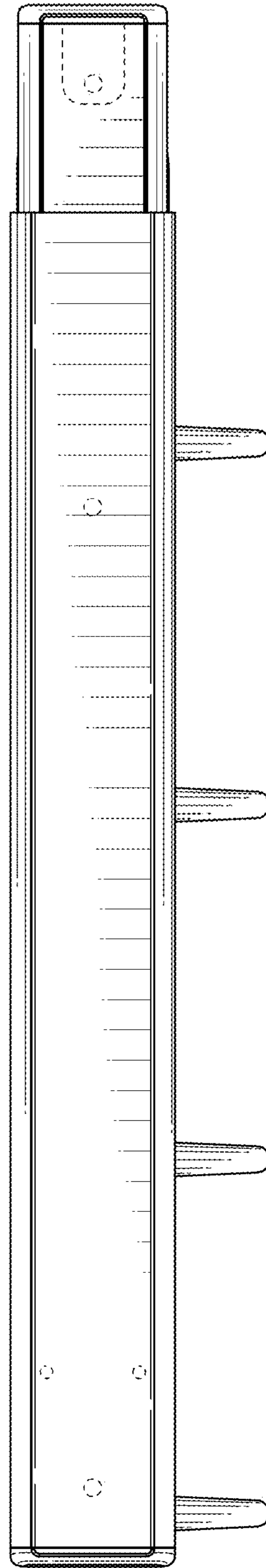


FIG. 3

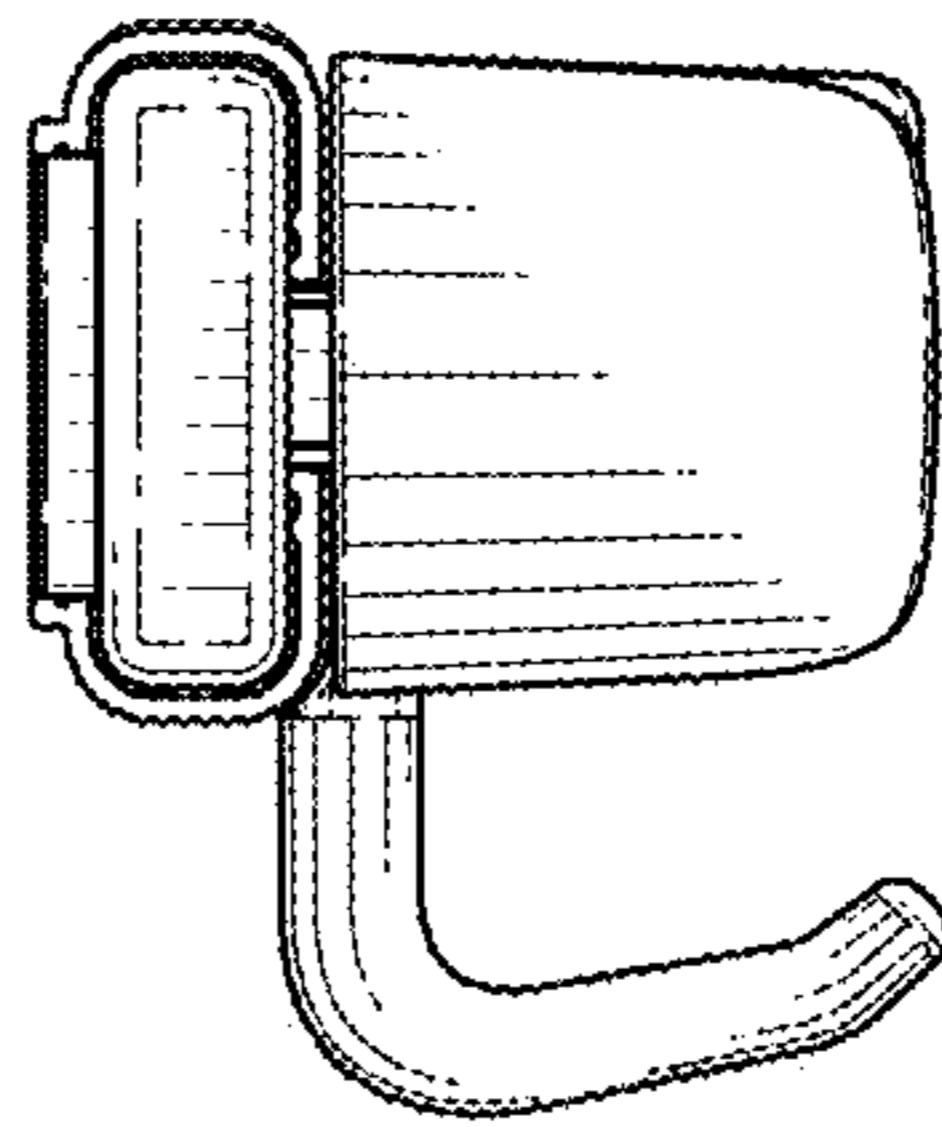


FIG. 4

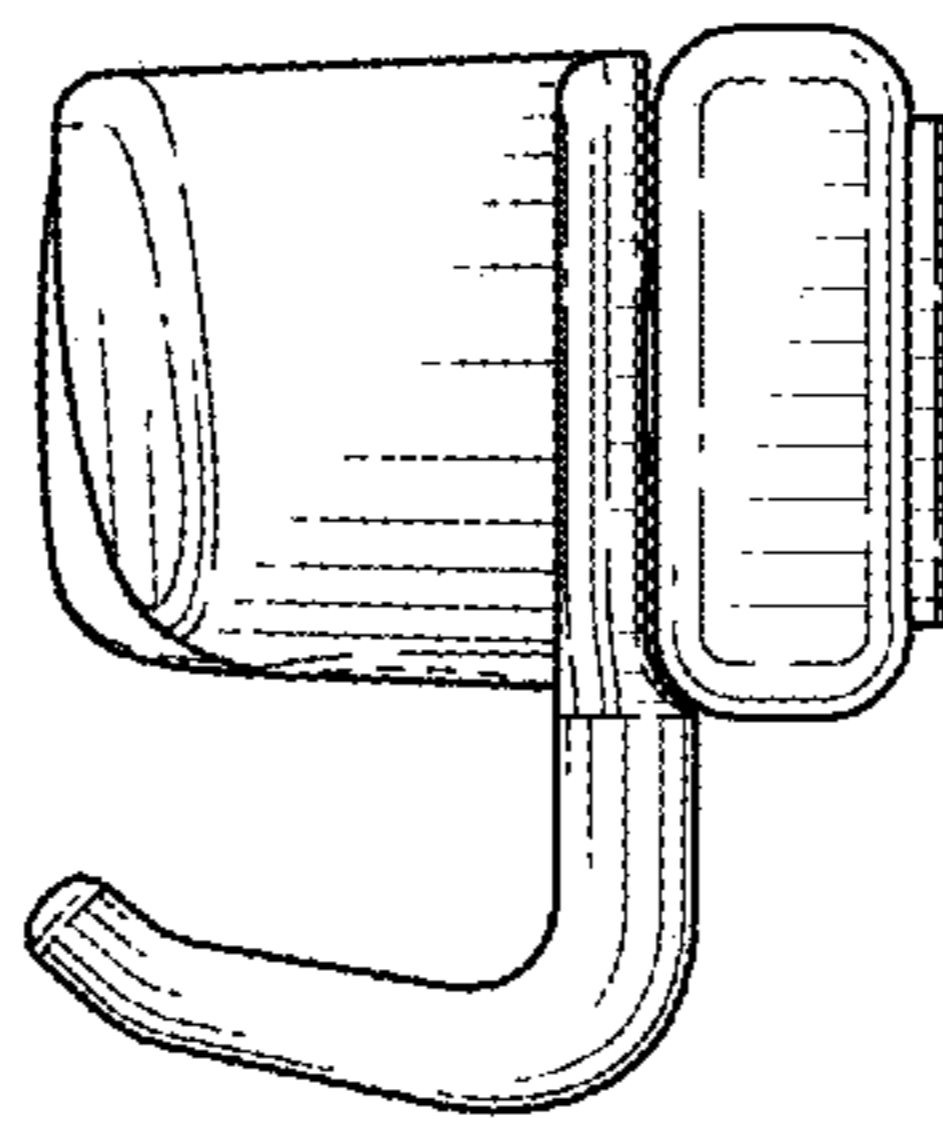


FIG. 5

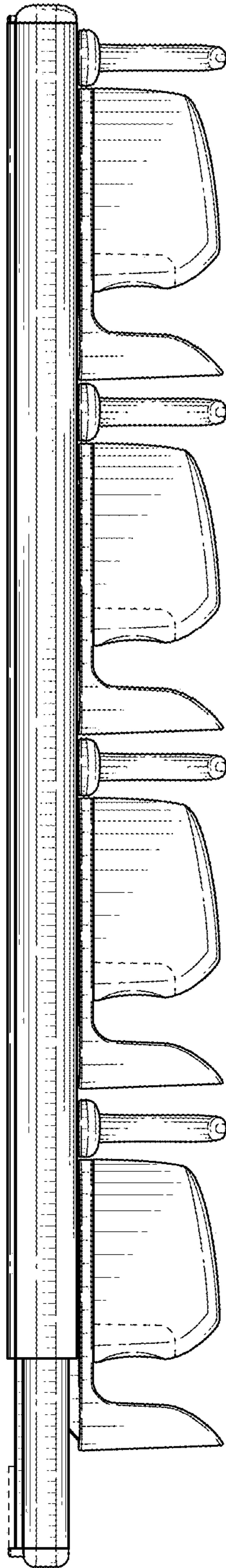


FIG. 6

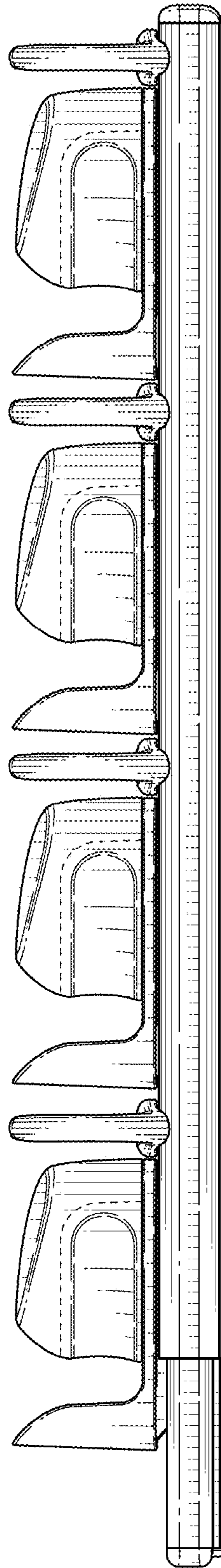


FIG. 7