



US00D955136S

(12) **United States Design Patent**
Qiu

(10) **Patent No.:** **US D955,136 S**
(45) **Date of Patent:** **** Jun. 21, 2022**

(54) **BATHROOM STORAGE RACK**
(71) Applicant: **HONG KONG MAYSEE TRADING CO., LTMITED**, Hong Kong (CN)
(72) Inventor: **Chenshui Qiu**, Guangdong (CN)
(73) Assignee: **HONG KONG MAYSEE TRADING CO., LIMITED**, Hong kong (CN)

D449,480 S * 10/2001 Snell D6/525
D554,419 S * 11/2007 Thompson D6/566
D717,070 S * 11/2014 Callif D6/567
D773,207 S * 12/2016 Tsai D6/566
D779,231 S * 2/2017 Pan D6/524
D863,816 S * 10/2019 Tuang D6/566
D893,216 S * 8/2020 Goodman D6/566
D927,221 S * 8/2021 Tang D6/566
2004/0226902 A1* 11/2004 Lin A47K 10/10
211/87.01

(**) Term: **15 Years**

* cited by examiner

(21) Appl. No.: **29/784,671**

Primary Examiner — Mary Shannon Malley
Assistant Examiner — Mark Booker

(22) Filed: **May 20, 2021**

(51) **LOC (13) Cl.** **06-04**

(52) **U.S. Cl.**

USPC **D6/566**

(58) **Field of Classification Search**

USPC D6/525, 566, 512–513, 540, 570;
D19/90; 211/13.1, 70.6, 71.1, 75, 86.01,
211/88.01, 90.01, 90.03, 106, 119, 126.1,
211/133.5, 134, 181.1

CPC A47K 17/00; A47K 3/28; A47K 3/001;
B23P 17/04; A47B 57/265; A47B 57/565;
A47B 57/26

See application file for complete search history.

(56) **References Cited**

U.S. PATENT DOCUMENTS

D348,369 S 7/1994 Nakamura
D397,895 S 9/1998 Chen

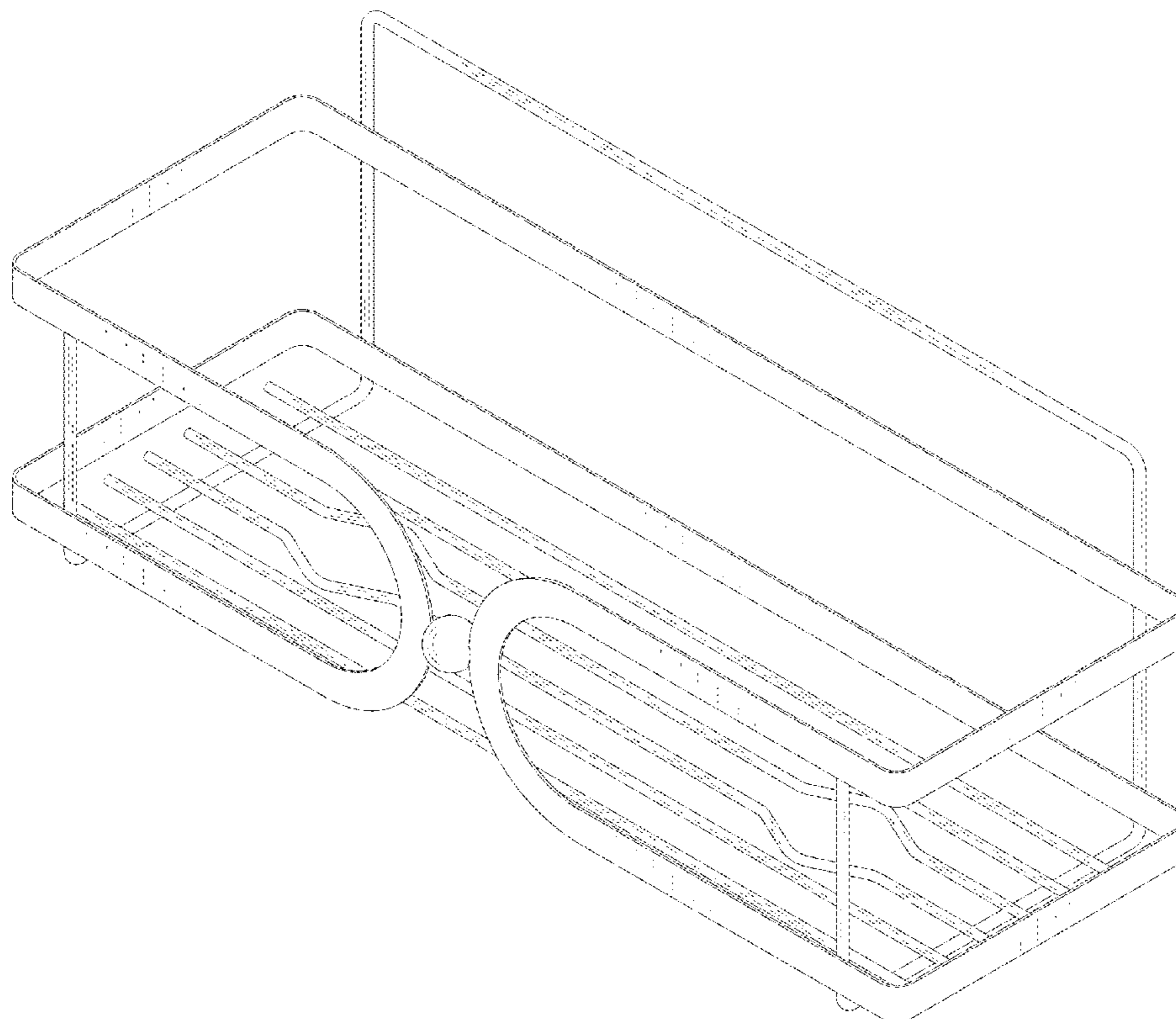
(57) **CLAIM**

The ornamental design for a bathroom storage rack, as shown and described.

DESCRIPTION

FIG. 1 is a perspective view of a bathroom storage rack showing my new design;
FIG. 2 is a front view thereof;
FIG. 3 is a back view thereof;
FIG. 4 is a left side view thereof;
FIG. 5 is a right side view thereof;
FIG. 6 is a top view thereof; and,
FIG. 7 is a bottom view thereof.

1 Claim, 7 Drawing Sheets



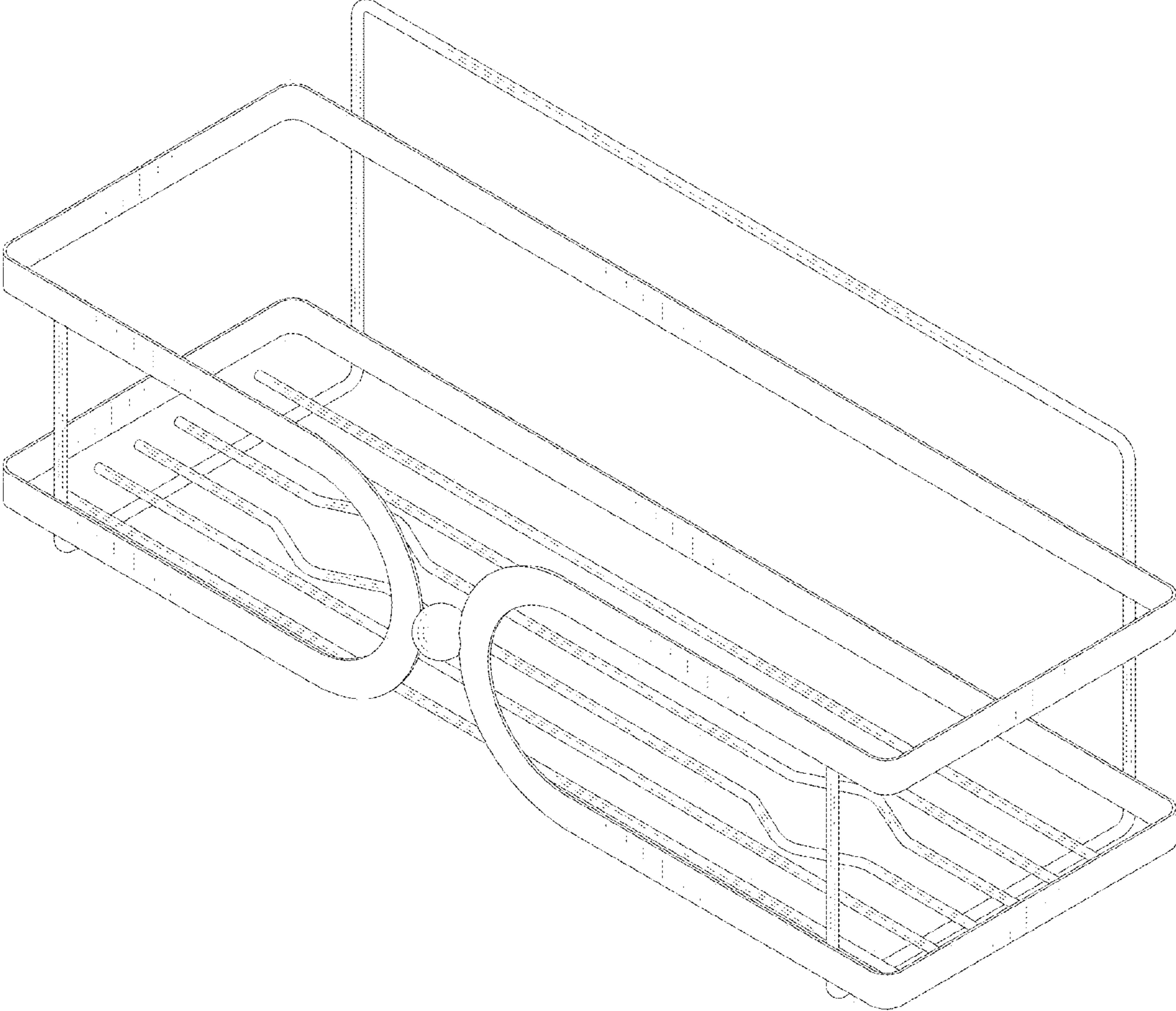


FIG. 1

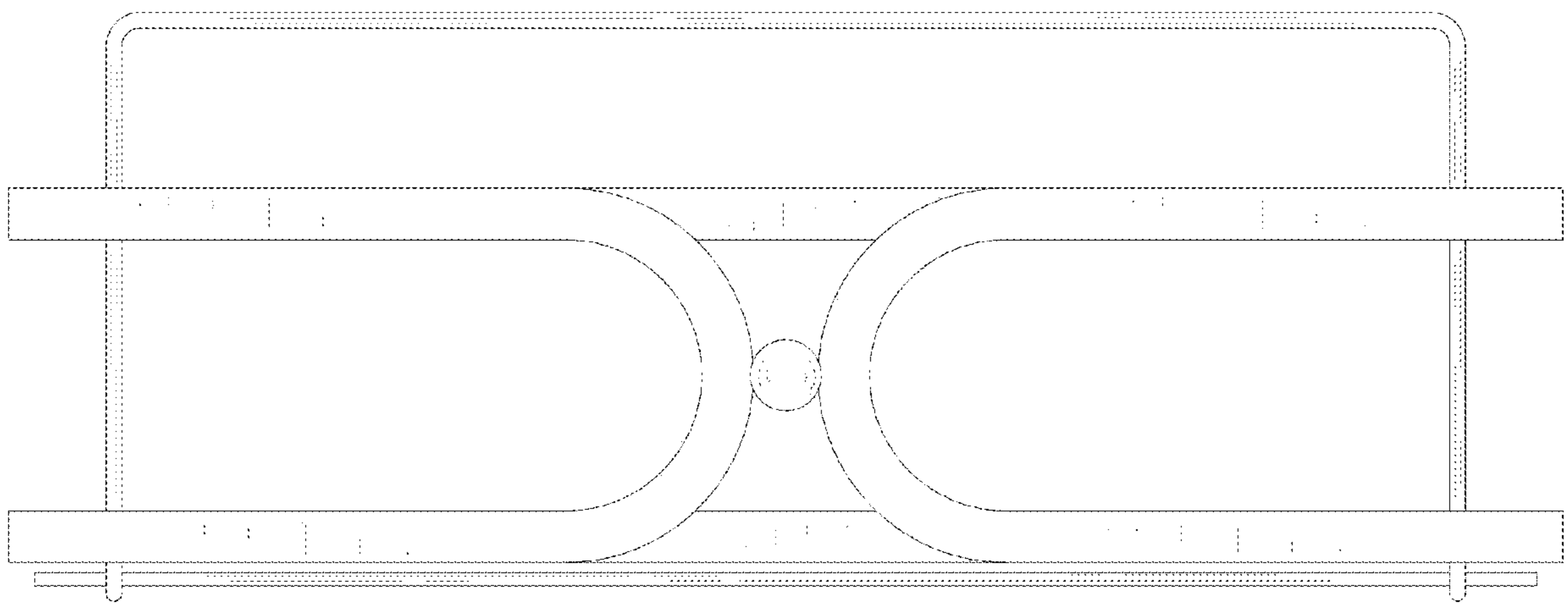


FIG. 2

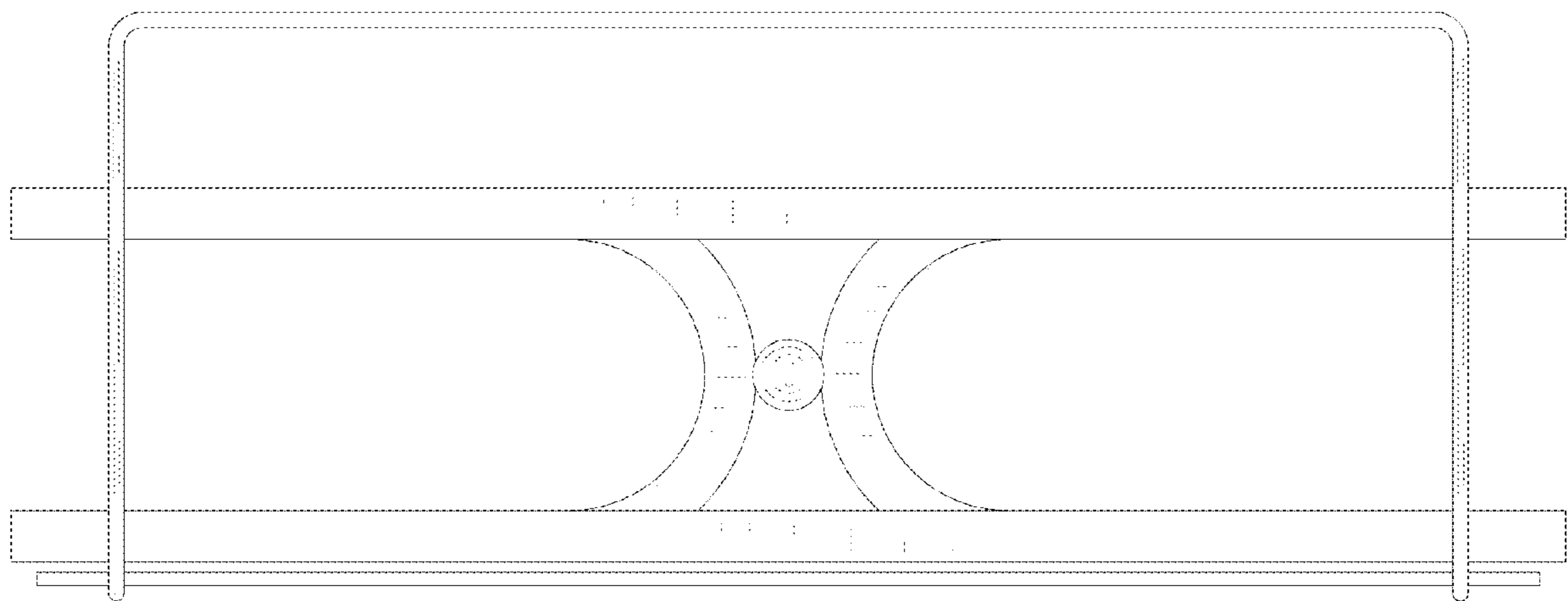


FIG. 3

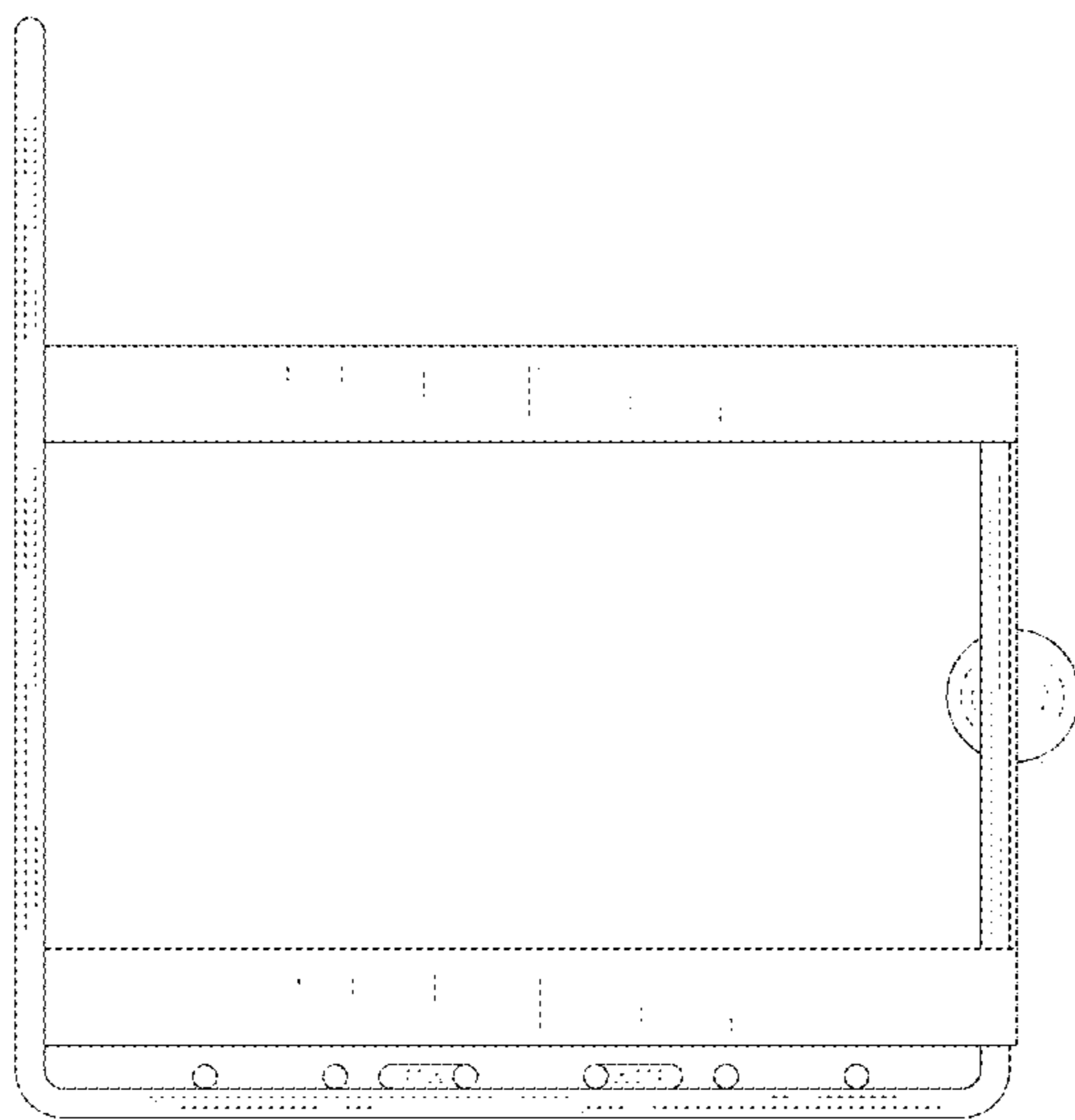


FIG. 4

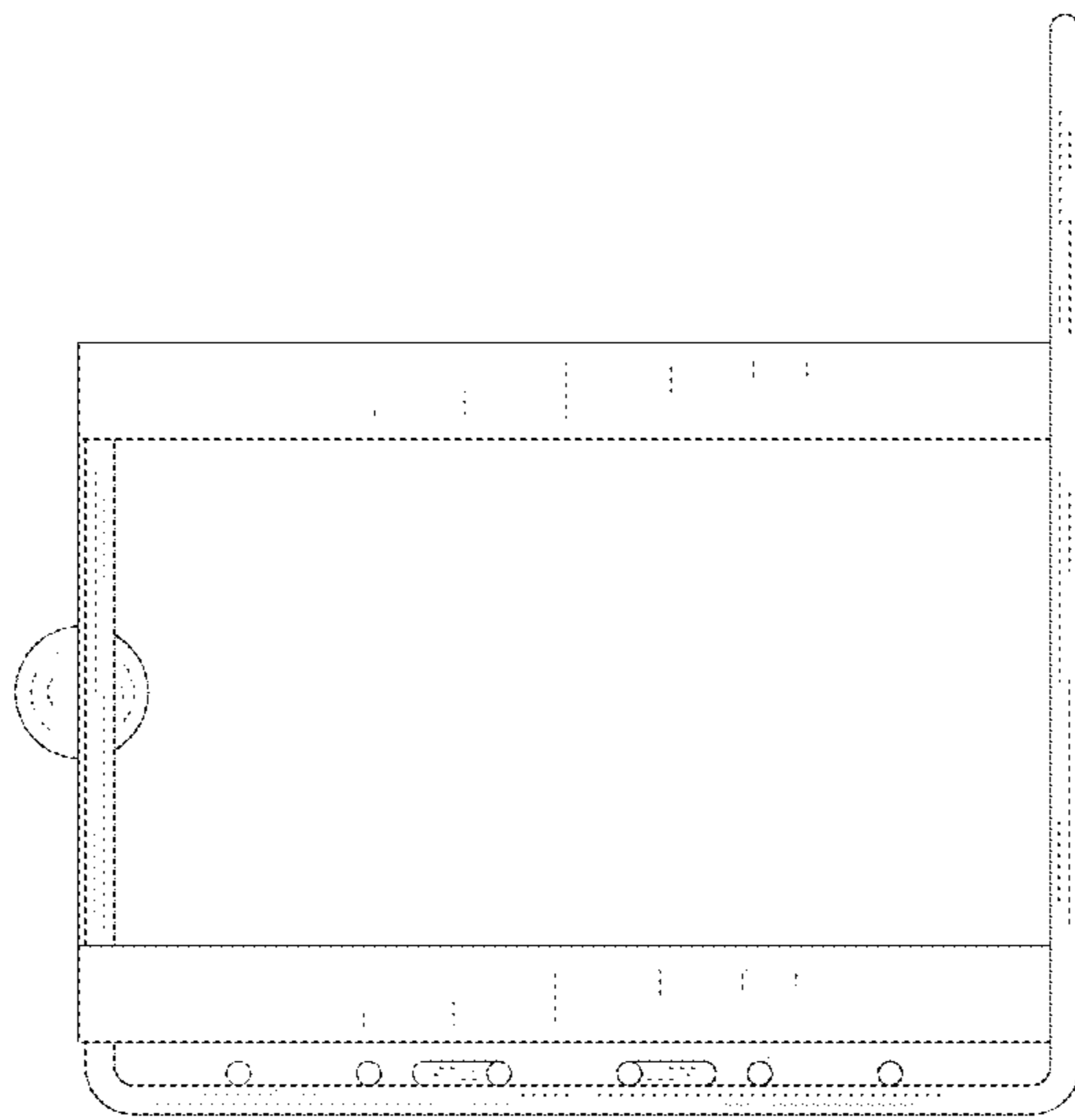


FIG. 5

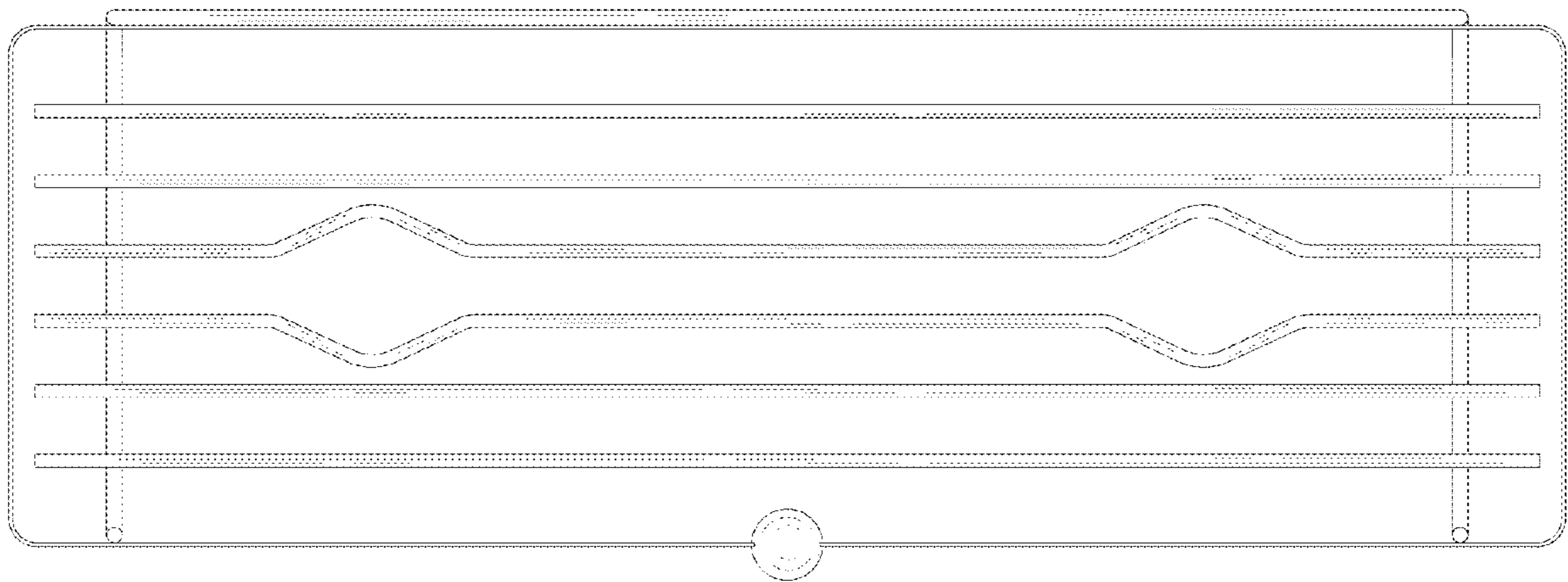


FIG. 6

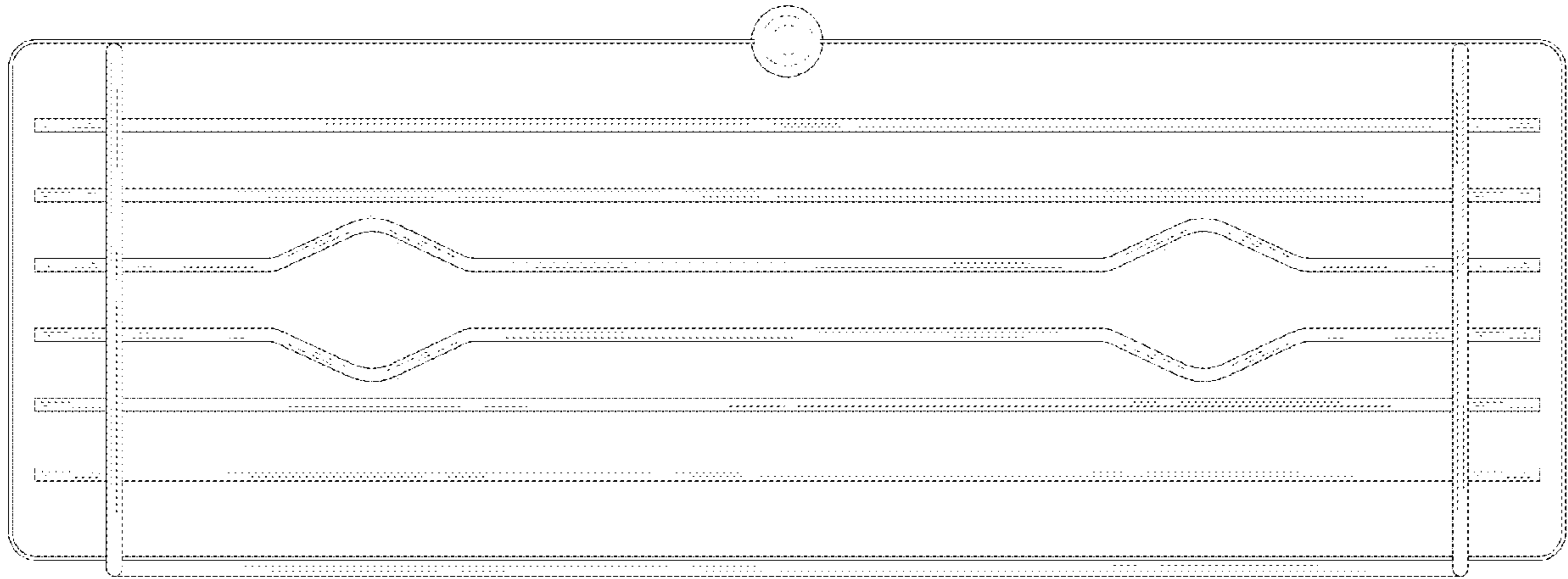


FIG. 7