



US00D955131S

(12) **United States Design Patent**  
**Sullivan et al.**

(10) **Patent No.: US D955,131 S**  
(45) **Date of Patent: \*\* \*Jun. 21, 2022**

(54) **PORTABLE CHAIR**

(71) Applicant: **YETI Coolers, LLC**, Austin, TX (US)

(72) Inventors: **Derek G. Sullivan**, Austin, TX (US);  
**Andrew J. Winterhalter**, Austin, TX (US);  
**John Warren Dow**, Austin, TX (US);  
**Donald Edward Desroches**, Austin, TX (US)

(73) Assignee: **YETI Coolers, LLC**, Austin, TX (US)

(\*) Notice: This patent is subject to a terminal disclaimer.

(\*\*) Term: **15 Years**

(21) Appl. No.: **29/804,131**

(22) Filed: **Aug. 18, 2021**

**Related U.S. Application Data**

(63) Continuation of application No. 29/770,887, filed on Feb. 17, 2021, now Pat. No. Des. 929,143, which is (Continued)

(51) **LOC (13) Cl.** ..... **06-01**

(52) **U.S. Cl.**  
USPC ..... **D6/368**

(58) **Field of Classification Search**  
USPC ..... D6/358-383, 391-395, 329, 334-340,  
D6/346, 352, 353

(Continued)

(56) **References Cited**

**U.S. PATENT DOCUMENTS**

2,088,644 A 8/1937 Erpelding et al.  
3,736,021 A 5/1973 MacLaren

(Continued)

**FOREIGN PATENT DOCUMENTS**

BE 484542 A 5/1854  
CN 2102679 U 4/1992

(Continued)

**OTHER PUBLICATIONS**

US 6,214,270 B1, 04/2001, Branum (withdrawn)

(Continued)

*Primary Examiner* — Keli L Hill

*Assistant Examiner* — Sara S Sahneh

(74) *Attorney, Agent, or Firm* — Banner & Witcoff, Ltd.

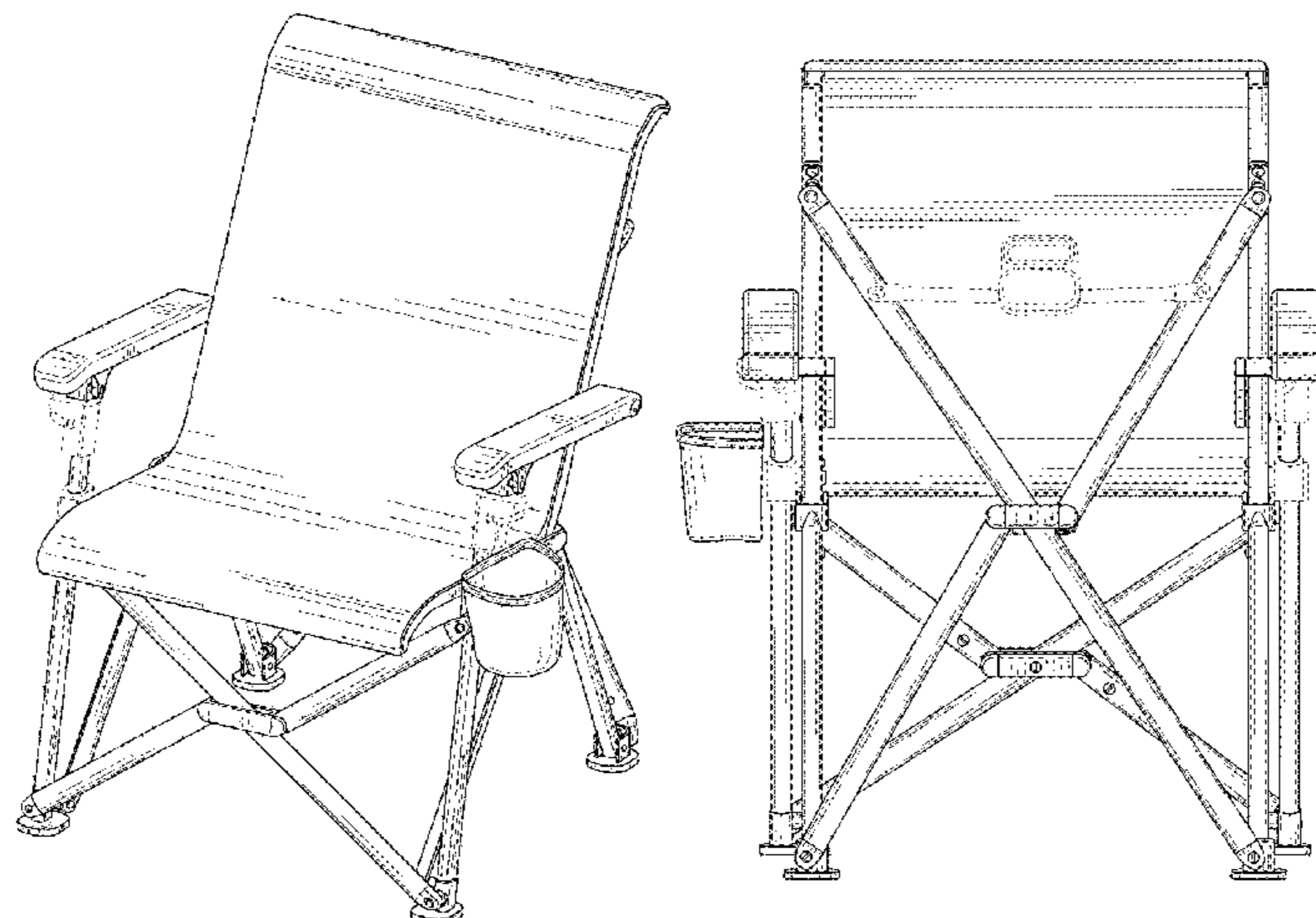
(57) **CLAIM**

The ornamental design for a portable chair, as shown and described.

**DESCRIPTION**

FIG. 1 is a top, front, right perspective view of a first embodiment of a portable chair showing our new design; FIG. 2 is a front view thereof; FIG. 3 is a rear view thereof; FIG. 4 is a right side view thereof; FIG. 5 is a left side view thereof; FIG. 6 is a top view thereof; FIG. 7 is a bottom view thereof; FIG. 8 is a folded front view of an alternative claimed configuration of a portable chair showing our new design thereof; FIG. 9 is a folded back view thereof; FIG. 10 is a folded left side view thereof; FIG. 11 is a top, front, left perspective photographic view of a second embodiment thereof; FIG. 12 is a top, rear, left perspective photographic view of a third embodiment thereof; FIG. 13 is a left side photographic view thereof; and, FIG. 14 is a rear, left alternative photographic view thereof. The broken lines immediately adjacent to the shaded area define the bounds of the claimed design and form no part thereof. The broken lines depicting the remainder of the portable chair form no part of the claimed design.

**1 Claim, 14 Drawing Sheets**



**Related U.S. Application Data**

a continuation of application No. 29/676,759, filed on Jan. 14, 2019, now Pat. No. Des. 911,731.

(58) **Field of Classification Search**

CPC .. A47C 11/00; A47C 4/02; A47C 4/03; A47C 4/08; A47C 4/024; A47C 4/025; A47C 4/028; A47C 5/04; A47C 7/16; A47C 5/12; A47C 7/36; A47C 7/40; A47C 9/007; A47C 13/023; A47C 5/08; A47C 17/175; A47C 13/005; A47C 11/005; A47C 4/021; A47C 4/286; A47C 1/14; F16B 5/0012; A47B 47/0075; A47B 3/06

See application file for complete search history.

(56) **References Cited**

U.S. PATENT DOCUMENTS

3,881,739 A 5/1975 Laune  
 4,029,279 A 6/1977 Nakatani  
 4,077,641 A 3/1978 Perego et al.  
 4,122,227 A 10/1978 Dean  
 4,216,974 A 8/1980 Kassai  
 4,232,897 A 11/1980 Maclaren et al.  
 4,335,893 A 6/1982 Carmichael et al.  
 4,469,739 A 9/1984 Gretzinger et al.  
 4,545,599 A 10/1985 Kassai  
 4,596,484 A 6/1986 Nakatani  
 4,761,092 A 8/1988 Nakatani  
 4,932,622 A 6/1990 Hayakawa  
 5,058,950 A 10/1991 Mann  
 5,106,678 A 4/1992 Abu-Isa  
 5,348,415 A 9/1994 Carlsson  
 5,397,627 A 3/1995 Dunbar et al.  
 5,769,447 A 6/1998 Huang  
 5,775,352 A 7/1998 Obitts  
 5,819,999 A 10/1998 Tennant  
 5,851,052 A 12/1998 Gustafsson  
 5,863,061 A 1/1999 Ziegler et al.  
 5,888,915 A 3/1999 Denton et al.  
 5,927,798 A 7/1999 Ahn  
 5,955,385 A 9/1999 Schobesberger et al.  
 6,082,813 A 7/2000 Chen  
 D431,382 S 10/2000 Eloge et al.  
 D432,325 S 10/2000 Zheng et al.  
 6,247,749 B1 6/2001 Yu  
 6,270,156 B1 8/2001 Metzger et al.  
 6,287,690 B1 9/2001 Land  
 6,302,479 B1 10/2001 Zheng  
 D455,897 S 4/2002 Jones  
 6,371,553 B1 4/2002 Tang  
 6,402,230 B1 6/2002 Tang  
 6,419,311 B1 7/2002 Tang  
 6,454,348 B1 9/2002 Wu  
 6,471,287 B1 10/2002 Liu  
 6,536,723 B1 3/2003 Nakatani  
 6,598,841 B2 7/2003 Erickson et al.  
 6,601,912 B1 8/2003 Chen  
 6,629,722 B1 10/2003 Tang  
 6,644,731 B2 11/2003 Tang  
 D485,061 S 1/2004 Noell et al.  
 6,705,070 B2 3/2004 Schwartz  
 D500,605 S 1/2005 Schmidt et al.  
 6,840,574 B1 1/2005 Wu  
 6,869,679 B1 3/2005 Negola  
 6,908,249 B2 6/2005 Tomm  
 6,913,231 B2 7/2005 Speggiorin  
 7,017,985 B2 3/2006 Chen  
 7,100,975 B1 9/2006 Zheng  
 D532,621 S 11/2006 Lin  
 7,157,388 B2 1/2007 Langley et al.  
 7,201,024 B2 4/2007 Hirayama et al.  
 7,219,955 B2 5/2007 Lu et al.  
 7,247,585 B2 7/2007 Bascom et al.  
 7,300,691 B2 11/2007 Callaway et al.

7,458,642 B1 12/2008 Spicer  
 7,500,715 B1 3/2009 Chen  
 7,641,276 B1 1/2010 Chen  
 D612,624 S \* 3/2010 Lovley ..... D6/368  
 7,682,994 B2 3/2010 Van Emden et al.  
 7,696,110 B2 4/2010 Taniguchi et al.  
 7,851,390 B2 12/2010 Salzmann et al.  
 7,887,131 B2 2/2011 Chadwick et al.  
 7,892,989 B2 2/2011 Schwartz et al.  
 8,100,429 B2 1/2012 Longenecker et al.  
 8,104,838 B2 1/2012 Tsai  
 D660,585 S 5/2012 McDonald et al.  
 8,207,071 B2 6/2012 Susa et al.  
 8,251,442 B2 8/2012 Grace  
 8,459,741 B2 6/2013 Mazzola et al.  
 8,460,790 B2 6/2013 Ochi et al.  
 D685,584 S 7/2013 Ammann, Jr.  
 8,506,865 B2 8/2013 Wangenheim  
 8,678,490 B2 3/2014 Chen  
 8,696,052 B2 4/2014 Zhu  
 8,714,643 B2 5/2014 Obolewicz et al.  
 8,727,655 B2 5/2014 Lu et al.  
 8,820,497 B1 9/2014 Goldsmith et al.  
 8,820,825 B2 9/2014 Yang  
 8,864,222 B2 10/2014 Grace  
 8,979,192 B2 3/2015 Miller  
 9,095,216 B2 8/2015 Miller  
 9,121,131 B2 9/2015 Underwood et al.  
 9,315,926 B2 4/2016 Date et al.  
 9,451,829 B2 9/2016 Chen  
 9,545,773 B2 1/2017 Hansen  
 D783,296 S 4/2017 Robinson  
 9,771,675 B2 9/2017 Altshuler et al.  
 D806,423 S 1/2018 Silva et al.  
 9,913,537 B2 3/2018 Piretti  
 9,974,388 B1 5/2018 Lv  
 9,993,082 B2 6/2018 Choi  
 9,993,083 B2 6/2018 Choi  
 10,104,971 B1 10/2018 Yang  
 10,292,503 B2 5/2019 Brown  
 10,321,750 B2 6/2019 Solomon et al.  
 D855,343 S 8/2019 Haingaertner  
 10,631,619 B2 4/2020 Alphin  
 10,631,648 B1 4/2020 Tsai  
 D888,425 S 6/2020 Wang  
 D891,808 S 8/2020 Zhu  
 10,758,047 B2 9/2020 Brensinger et al.  
 10,758,054 B2 \* 9/2020 Wang ..... A47C 11/005  
 D897,712 S 10/2020 Hu  
 D902,617 S 11/2020 Sullivan et al.  
 10,842,236 B2 11/2020 McMichael  
 D903,345 S 12/2020 Chen  
 D911,057 S 2/2021 Jacobsen  
 D912,423 S 3/2021 Sullivan et al.  
 D922,790 S \* 6/2021 Wang ..... D6/368  
 2003/0025360 A1 2/2003 Liu  
 2003/0025361 A1 2/2003 Liu  
 2006/0186712 A1 8/2006 Lu et al.  
 2007/0228780 A1 10/2007 Grace  
 2009/0146468 A1 6/2009 Schneider  
 2009/0174230 A1 7/2009 Chen  
 2010/0032998 A1 \* 2/2010 Eckman ..... A47C 4/286  
 297/217.3  
 2010/0171342 A1 7/2010 Chen  
 2010/0295338 A1 11/2010 Crowe  
 2010/0314914 A1 12/2010 Mazzola et al.  
 2011/0169305 A1 7/2011 Ayre et al.  
 2014/0097647 A1 4/2014 Grace  
 2014/0217784 A1 8/2014 Chen  
 2014/0227474 A1 8/2014 Cramer  
 2014/0252817 A1 \* 9/2014 Lovley, II ..... A47C 7/66  
 297/184.15  
 2014/0306493 A1 10/2014 Obolewicz et al.  
 2015/0038040 A1 2/2015 Gabbay  
 2015/0360159 A1 12/2015 Lee et al.  
 2016/0081479 A1 3/2016 Lin  
 2016/0100688 A1 4/2016 Grace  
 2016/0135600 A1 5/2016 Chen  
 2017/0202355 A1 7/2017 Reed



(56)

References Cited

U.S. PATENT DOCUMENTS

2017/0311723 A1\* 11/2017 Lenhart ..... A47C 4/30  
 2018/0002839 A1 1/2018 Liao et al.  
 2018/0073169 A1 3/2018 Chou  
 2018/0245248 A1 8/2018 Buffington et al.  
 2019/0090644 A1 3/2019 Mason et al.  
 2019/0090667 A1 3/2019 Mason et al.  
 2019/0104850 A1 4/2019 Frankel et al.  
 2019/0216222 A1 7/2019 Winterhalter et al.  
 2019/0298066 A1 10/2019 Zhu et al.  
 2021/0015263 A1 1/2021 Lah  
 2021/0059418 A1 3/2021 Reed, II et al.  
 2021/0145178 A1 5/2021 Riley  
 2021/0145179 A1 5/2021 Kong

FOREIGN PATENT DOCUMENTS

CN 201001527 Y 1/2008  
 CN 201492050 U 6/2010  
 CN 301297394 8/2010  
 CN 102230248 A 11/2011  
 CN 301800654 1/2012  
 CN 202236165 U 5/2012  
 CN 202515069 U 11/2012  
 CN 202858412 U 4/2013  
 CN 302684929 12/2013  
 CN 104643681 A 5/2015  
 CN 204393167 U 6/2015  
 CN 105615364 A 6/2016  
 CN 303763101 8/2016  
 CN 106617546 A 5/2017  
 CN 107348734 A 11/2017  
 CN 304686840 1/2018  
 CN 207349221 U 5/2018  
 CN 207421059 U 5/2018  
 CN 207653880 U 7/2018  
 CN 304803670 9/2018  
 CN 208708874 U 4/2019  
 CN 305151099 5/2019  
 CN 305730506 4/2020  
 CN 306305745 7/2020  
 DE 1080176 B 4/1960  
 DE 1267945 B 5/1968  
 EP 2108284 A1 10/2009  
 EP 2123198 A1 11/2009  
 EP 2145036 A1 1/2010  
 EP 2674629 A2 12/2013  
 ES 279347 A1 1/1963  
 GB 4025689 8/2012  
 GB 6117897 \* 2/2021  
 JP 3046457 U 3/1998  
 JP 2001078851 A 3/2001  
 JP 2003033260 A 2/2003  
 JP 2003159141 A 6/2003

JP 2005118214 A 5/2005  
 JP 2009022498 A 2/2009  
 JP 2010099238 A 5/2010  
 JP 2013244909 A 12/2013  
 JP D1550241 5/2019  
 JP D1550242 5/2019  
 KR 300686541.0000 3/2013  
 KR 20170099158 A 8/2017  
 KR 300993886.0000 2/2019  
 KR 300993887.0000 2/2019  
 KR 301091620.0000 1/2020  
 NL 1001847 C1 6/1997  
 WO 0040122 A1 7/2000  
 WO 2013029089 A1 3/2013  
 WO 2016150254 A1 9/2016  
 WO 2017133369 A1 8/2017

OTHER PUBLICATIONS

Pacific Play Tents Store, Sapphire Blue Super Children's Chair, Date first available Nov. 8, 2018, [online] retrieved Sep. 23, 2021, available from [https://www.amazon.com/Pacific-Play-Tents-Sapphire-Folding/dp/B07KBSBV7T/ref=sr\\_1\\_115?dchild=1&keywords=foldable+chair&qid=1632406749&sr=8-115](https://www.amazon.com/Pacific-Play-Tents-Sapphire-Folding/dp/B07KBSBV7T/ref=sr_1_115?dchild=1&keywords=foldable+chair&qid=1632406749&sr=8-115) (Year: 2018).\*

Alpha Camp, Oversized Camping Folding Chair, Date first available Jan. 8, 2018, [online] retrieved Mar. 8, 2021, available from [https://www.amazon.com/Alpha-Camp-Oversized-Collapsible-Portable/dp/B0759V8NWK/ref=sr\\_1\\_55\\_sspa?crid=156UFWOJUVFC8&dchild=1&keywords=portable+beach+chairs&qid=1591033770&srefix=p](https://www.amazon.com/Alpha-Camp-Oversized-Collapsible-Portable/dp/B0759V8NWK/ref=sr_1_55_sspa?crid=156UFWOJUVFC8&dchild=1&keywords=portable+beach+chairs&qid=1591033770&srefix=p) (Year:2018).

Fundango Store, Folding Deluxe Camping Chair, Date first available Jun. 24, 2019, [online] retrieved Mar. 8, 2021, available from [https://www.amazon.com/dp/B07THBZKV/ref=sspa\\_dk\\_detail5?psc=1&pd\\_rd\\_i=B07THBZKVB&pd\\_rd\\_w=XSVfh&pf\\_rd\\_p=48d372c1-f7e1-4b8b-9d024bd86f5158c5&pd\\_rd\\_wg=adY88&pf\\_rd\\_r=XQC2XN3B8TFH](https://www.amazon.com/dp/B07THBZKV/ref=sspa_dk_detail5?psc=1&pd_rd_i=B07THBZKVB&pd_rd_w=XSVfh&pf_rd_p=48d372c1-f7e1-4b8b-9d024bd86f5158c5&pd_rd_wg=adY88&pf_rd_r=XQC2XN3B8TFH) (Year:2019).

Sep. 3, 2021—(JP) Office Action—App. No. 2020538143.

Mar. 21, 2019—(PCT) International Search Report and Written Opinion—App PCT/US2019/013511.

Alpha Camp, Alpha Camp Oversized Camping Folding Chair Heavy Duty Steel Frame, Date first available May 3, 2019, [online] retrieved Jun. 1, 2020, available from internet, [www.amazon.com](http://www.amazon.com) (Year: 2019).

Fundango, Fundango Lumbar Support Strong Stable Heavy Duty Folding Deluxe Camping Chair, [online] retrieved Jun. 1, 2020, available from internet, [www.amazon.com](http://www.amazon.com) (Year: 2020).

YETI, Trailhead Camp Chair, [online] retrieved Jun. 4, 2020, available from internet, <https://www.fieldandstreamshop.com/p/yeti-trailhead-camp-chair-20yetutrlhdcmpchrrec/20yetutrlhdcmpchrrec> (Year: 2020).

Sep. 16, 2020—(CA) Examination Report—App. No. 188594.

\* cited by examiner



FIG. 1

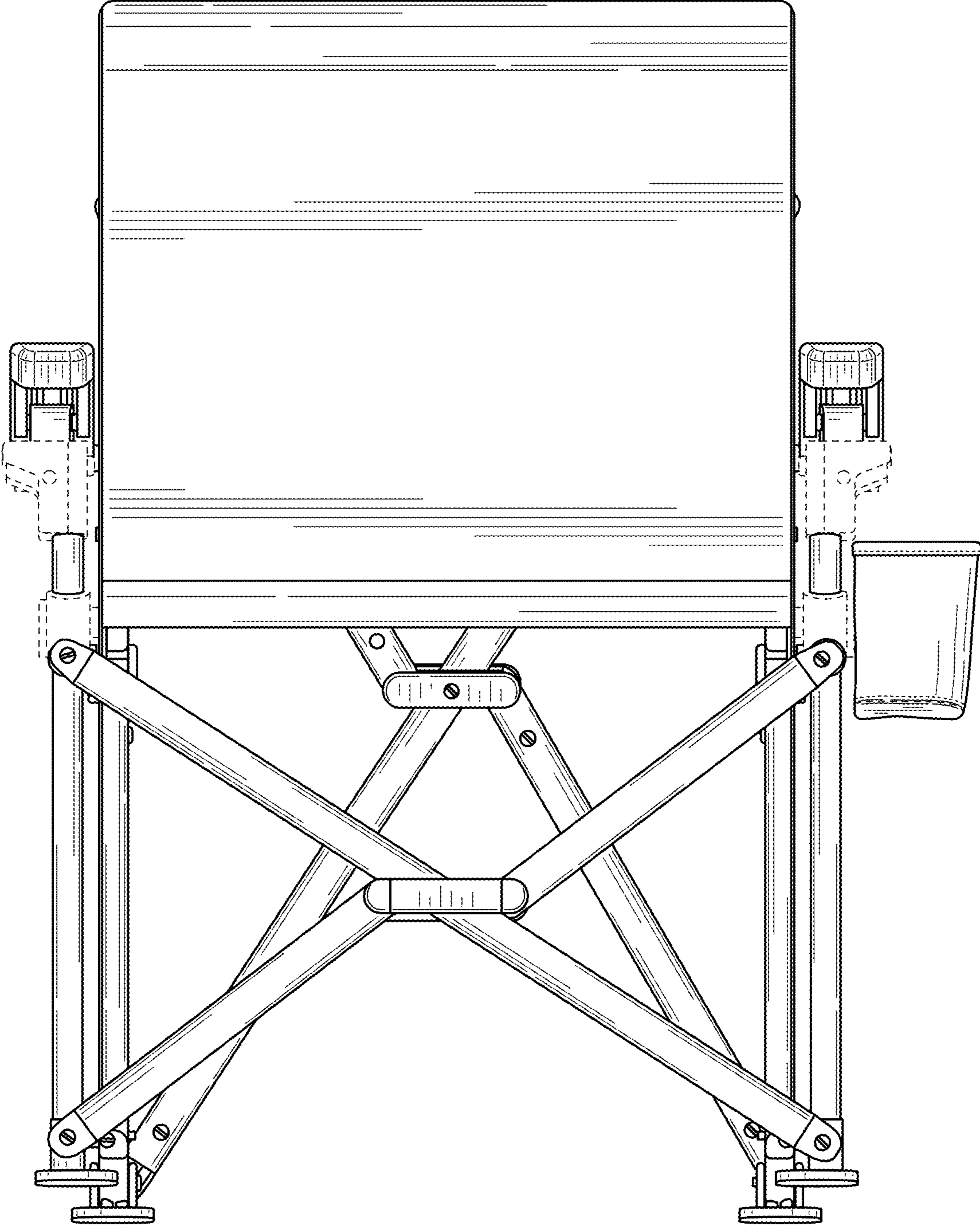


FIG. 2



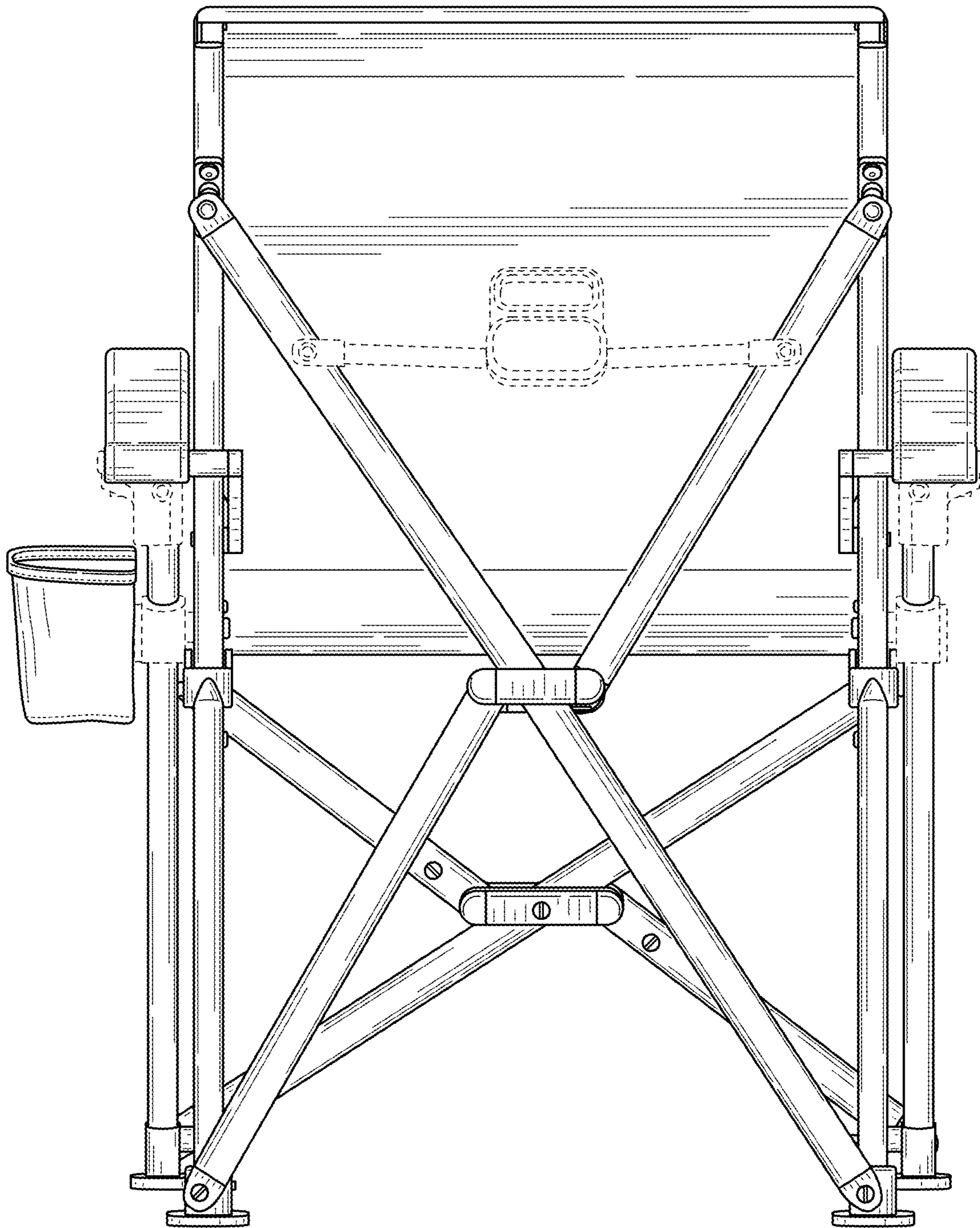


FIG. 3

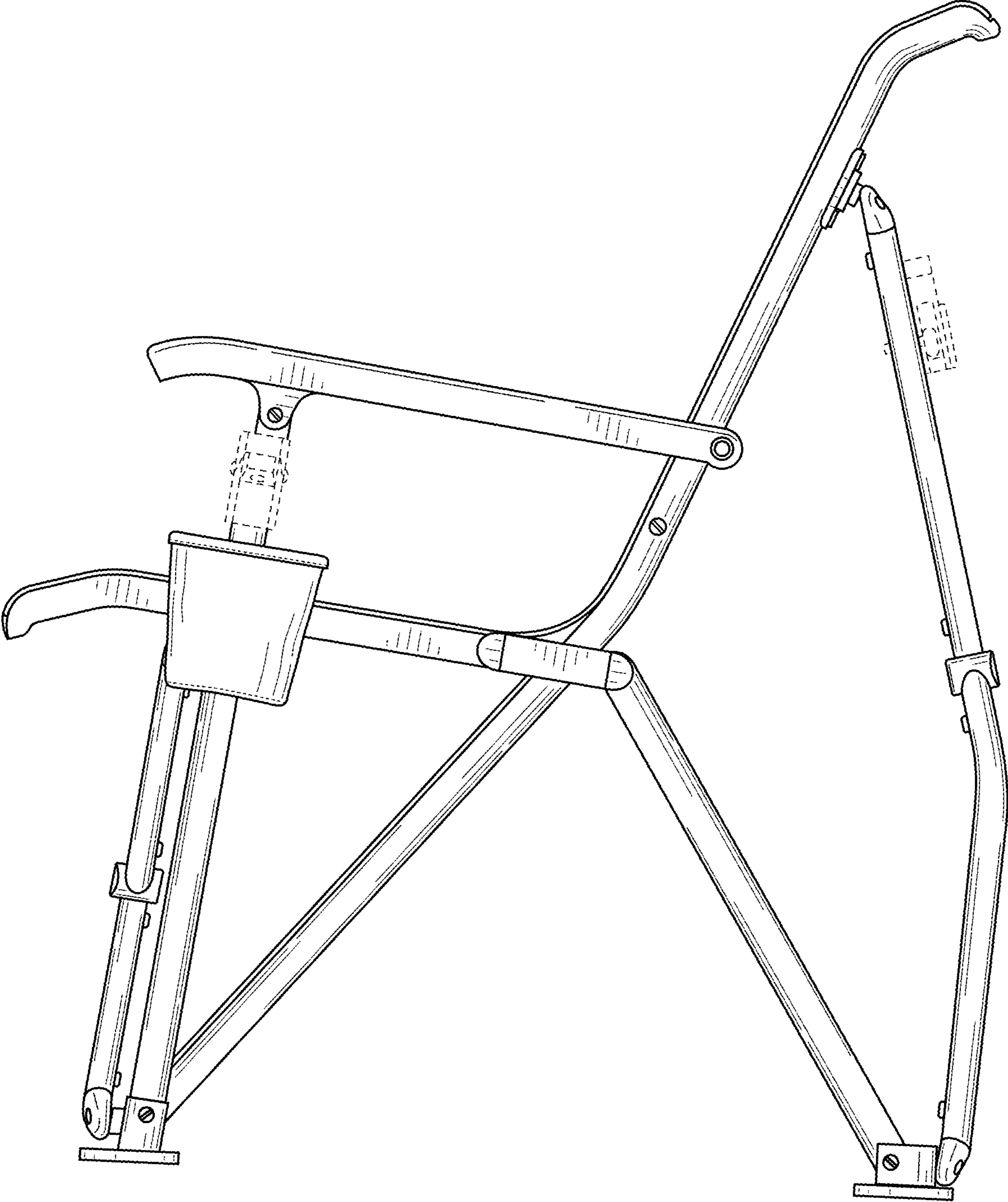


FIG. 4

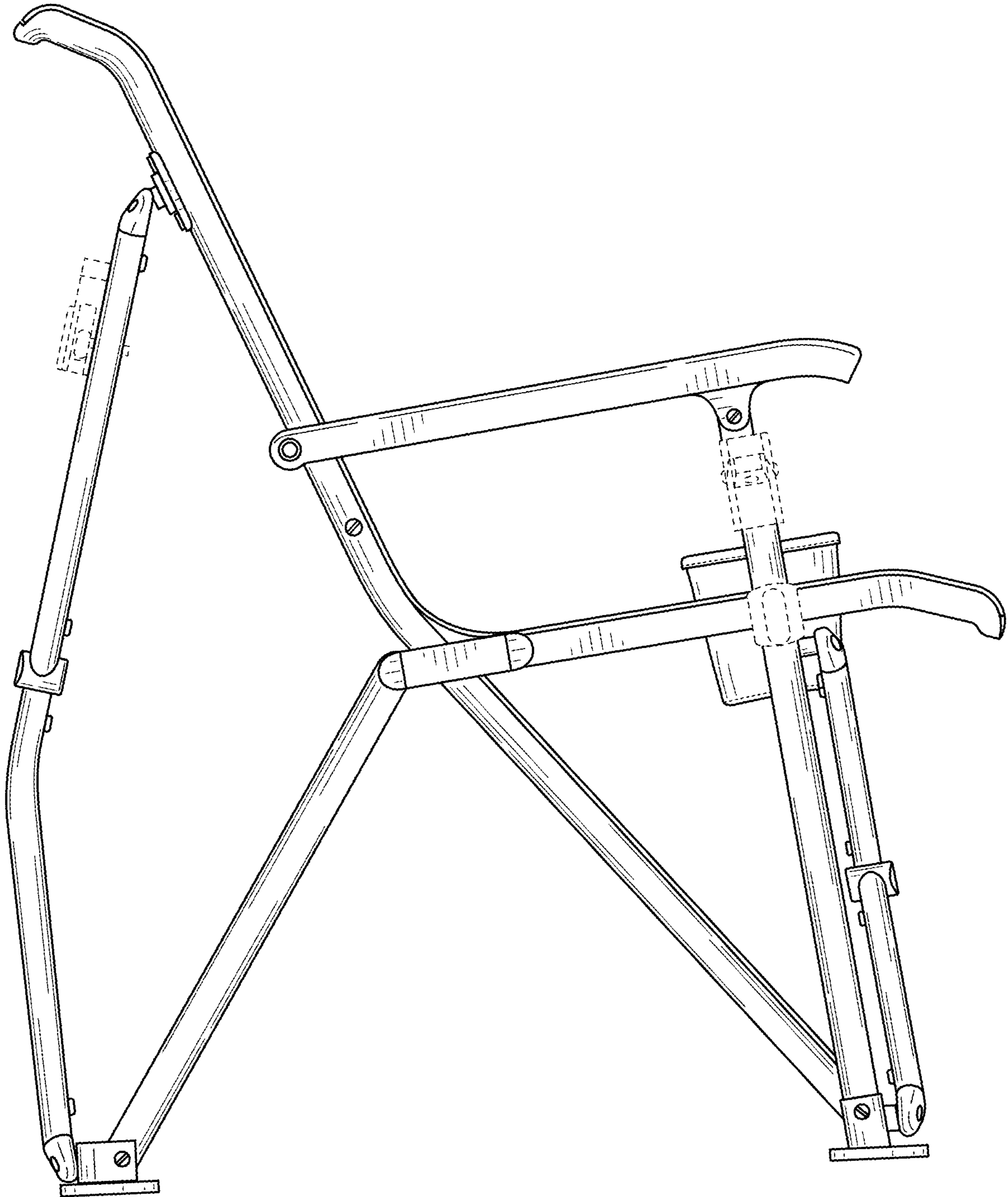


FIG. 5



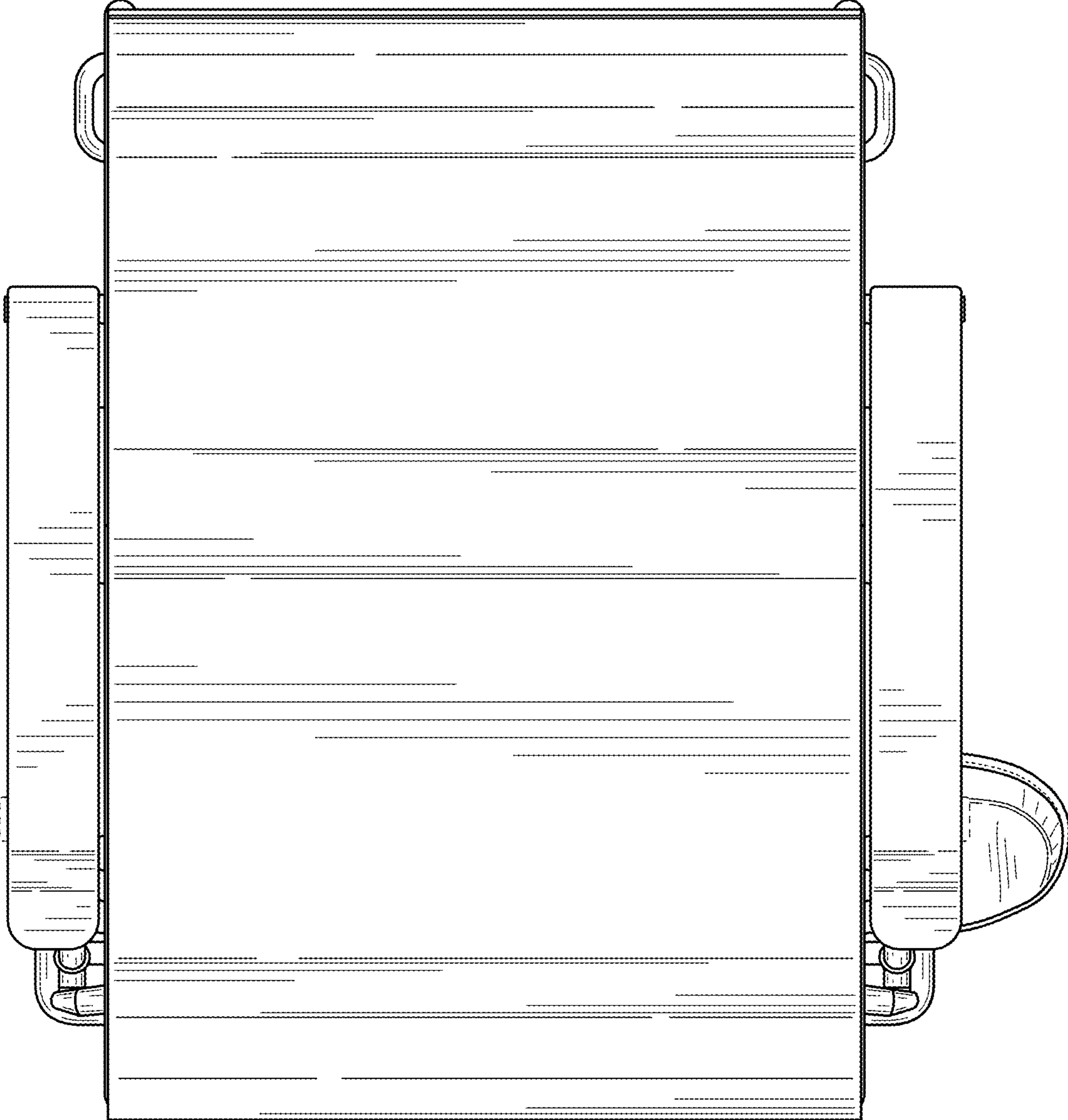


FIG. 6

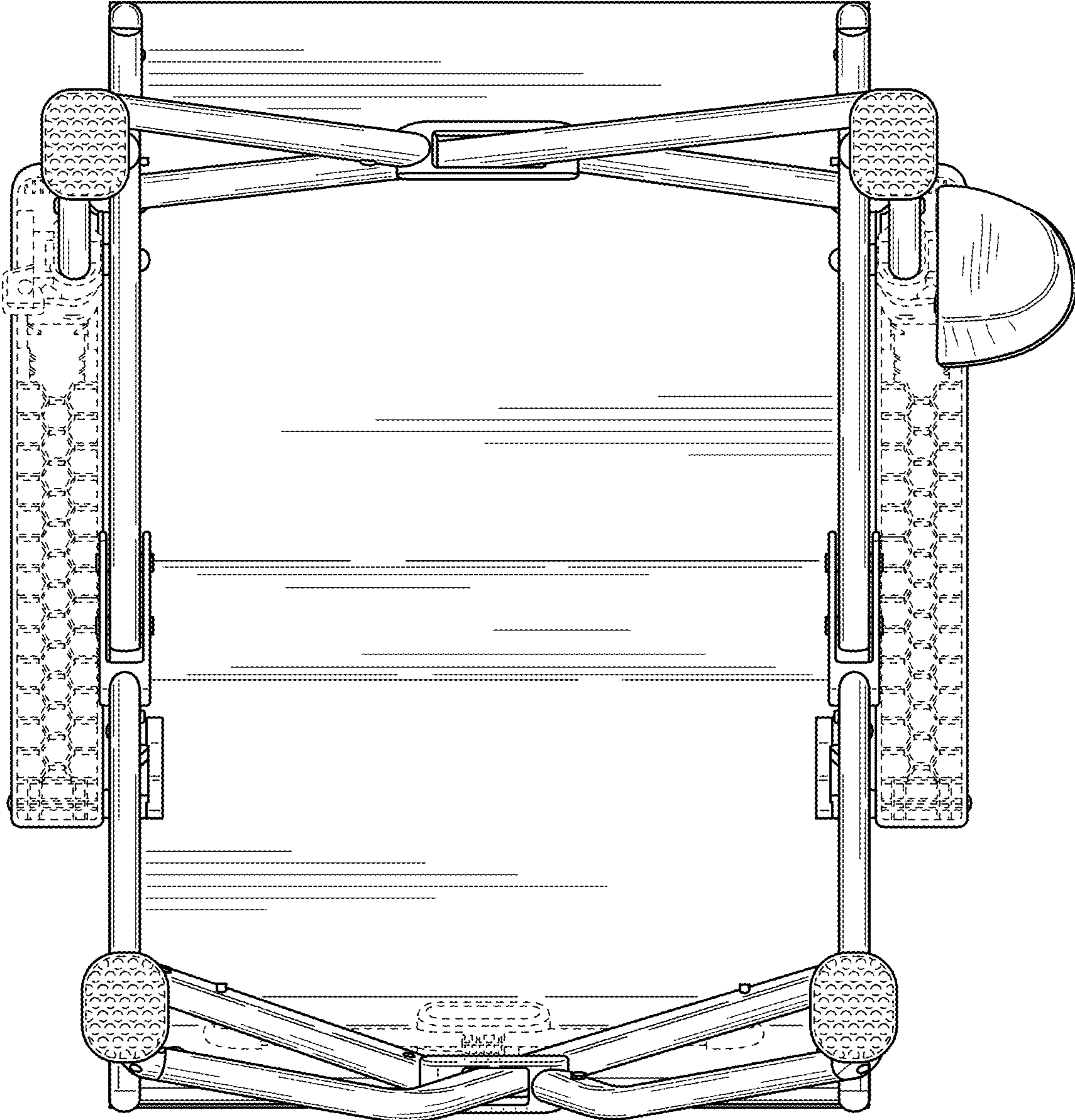


FIG. 7



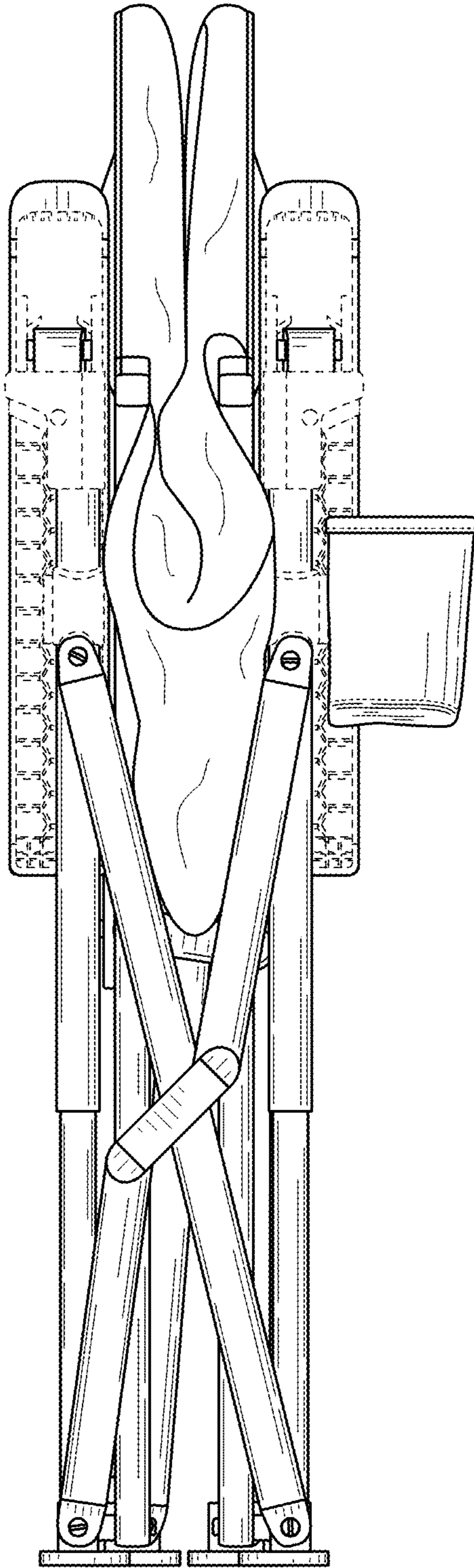


FIG. 8

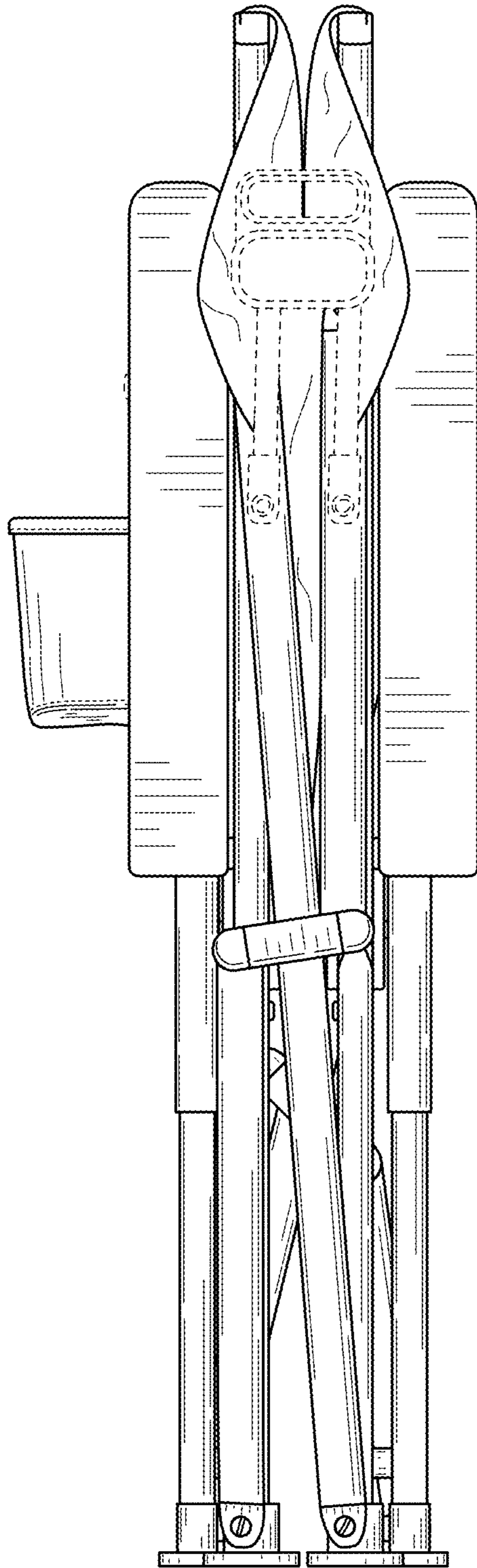


FIG. 9



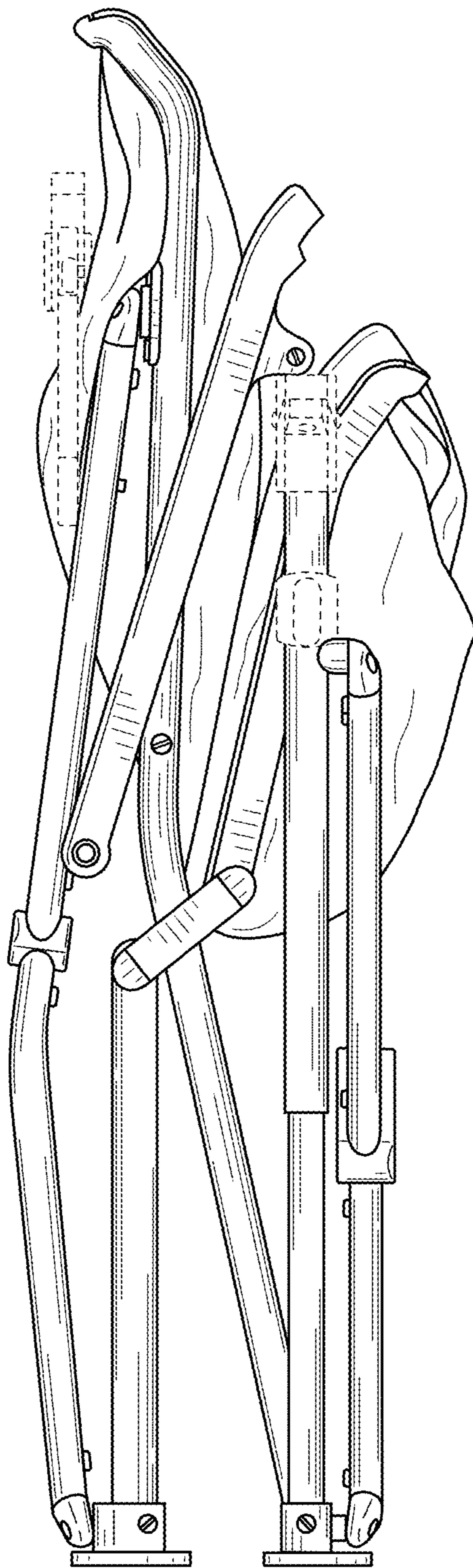


FIG. 10



FIG. 11





FIG. 12





FIG. 13





FIG. 14